

28813-G01



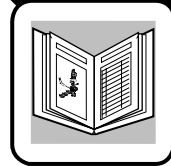
A Textron Company

CUSHMAN[®]

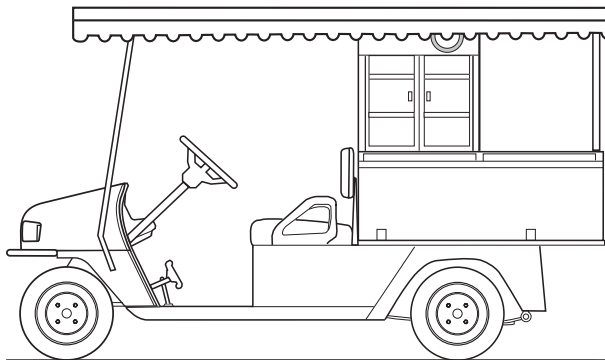
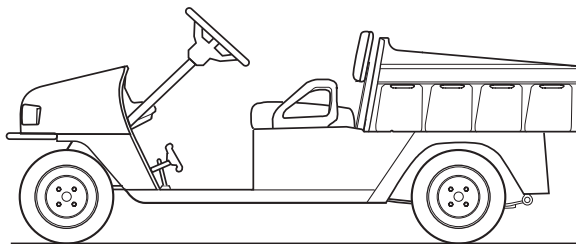
A Textron Company

JACOBSEN[®]

A Textron Company



SERVICE PARTS MANUAL



Ref Fcv 21

GASOLINE POWERED UTILITY VEHICLES

STARTING MODEL YEAR: 2004

REVISED: 3/1/04

SERVICE PARTS MANUAL

GASOLINE POWERED UTILITY VEHICLES

MPT™ 1200

COMMANDER™ 2200

HAULER™ 1200

REFRESHER® 1200

E-Z-GO Division of TEXTRON, Inc. reserves the right to make design changes without obligation to make these changes on units previously sold and the information contained in this manual is subject to change without notice.

E-Z-GO Division of TEXTRON, Inc. is not liable for errors in this manual or for incidental or consequential damages that result from the use of the material in this manual.

CUSTOMER SERVICE DEPARTMENT IN USA PHONE: 1-800-241-5855 FAX: 1-800-448-8124

OUTSIDE USA PHONE: 010-1-706-798-4311, FAX: 010-1-706-771-4609

E-Z-GO DIVISION OF TEXTRON, INC., P.O.BOX 388, AUGUSTA, GEORGIA USA 30903-0388

NOTES

To obtain a copy of the limited warranty applicable to the vehicle, call or write a local Distributor, authorized Branch or the Warranty Department with vehicle serial number and manufacturer code.

The use of non Original Equipment Manufacturer (OEM) parts may void the warranty.

Tampering with or adjusting the governor to permit vehicle to operate at above factory specifications will void the vehicle warranty.

When servicing engines, all adjustments and replacement components must be per original vehicle specifications in order to maintain the United States of America Federal and State emission certification applicable at the time of manufacture.

BATTERY PROLONGED STORAGE

All batteries will self discharge over time. The rate of self discharge varies depending on the ambient temperature and the age and condition of the batteries.

A fully charged battery will not freeze in winter temperatures unless the temperature falls below -75° F (-60° C).

TABLE OF CONTENTS

SECTION	Page No.
HOW TO USE THE SERVICE PARTS MANUAL	v
ILLUSTRATED PARTS BREAKDOWN	vii
ACCELERATOR	A-1
AIR FILTER	B-1
BODY	C-1
BRAKES	D-1
BRAKES - FRONT DISC	E-1
CAB	F-1
CARBURETOR AND CHOKE	G-1
CLUTCH	H-1
DIRECTION SELECTOR	I-1
ELECTRICAL	J-1
ENGINE AND MUFFLER	K-1
ENGINE MOUNTING	L-1
FRONT SUSPENSION/STEERING	M-1
FUEL SYSTEM	N-1
REAR AXLE	O-1
REAR SUSPENSION	P-1
REFRESHER UNIT	Q-1
SEATING	R-1
STARTER / GENERATOR	S-1
TRUCK BED, PLASTIC	T-1
WEATHER PROTECTION	U-1
WHEELS AND TIRES	V-1
SPECIALTY PRODUCTS	APPENDIX A-1
OPTIONS/ACCESSORIES	APPENDIX B-1

HOW TO USE THE SERVICE PARTS MANUAL

This manual is divided into several sections:

GENERAL INFORMATION

- TABLE OF CONTENTS
- HOW TO USE THE SERVICE PARTS MANUAL

ILLUSTRATED PARTS BREAKDOWN

- Contains illustrations and parts lists for all systems of the vehicle

APPENDIX

- Contains a listing of specialty products and options/accessories

INDEX OF MAJOR COMPONENTS

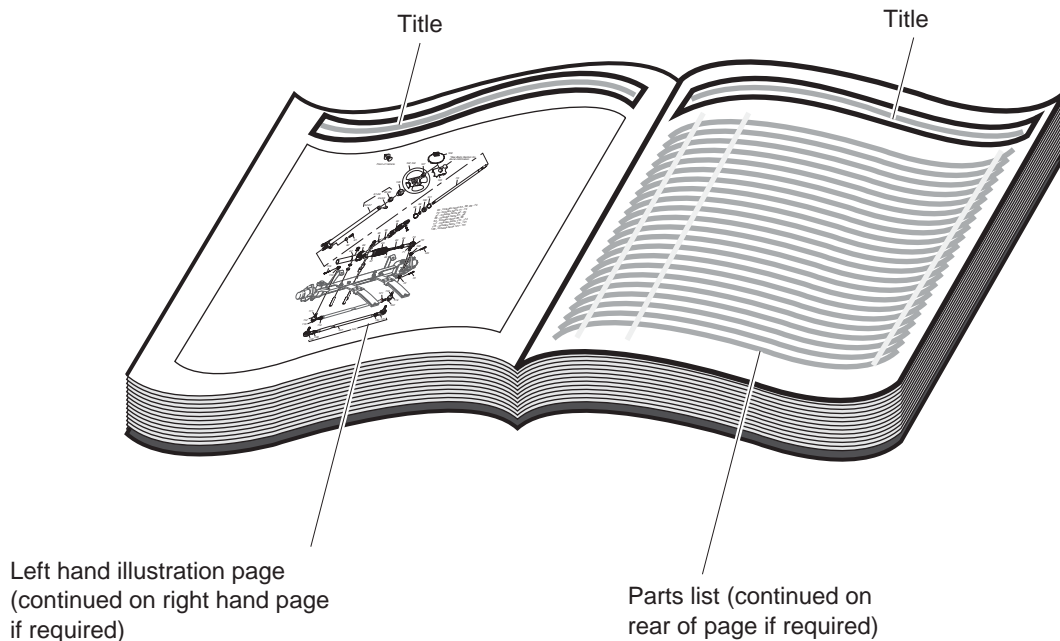
- Contains a listing of parts (excluding hardware) grouped by part number and description and indicates on which page(s) they can be found

USE OF THE MANUAL

To use this manual, consult the TABLE OF CONTENTS (page iii) or the INDEX OF MAJOR COMPONENTS (located at rear of this manual) to locate the information or illustration required.

Introduction of some revisions varies due to supply of components; therefore, it is possible that various combinations of components may be found that are not directly reflected by each illustration. Consult the illustration that best suits your situation. Locate the serial number plate (see BODY located in the Illustrated Parts Breakdown section of this manual for its location) and note the complete number shown on the plate. It is important that the serial number of your vehicle and its model number be supplied to Service Parts when ordering any replacement components.

HOW TO USE THE SERVICE PARTS MANUAL



1. WHEN THE PART NUMBER IS NOT KNOWN

- Determine the function and application of the part required. Turn to the INDEX OF MAJOR COMPONENTS and select the most appropriate component description.
- Turn to the page number indicated and locate the part description in the parts list. Read the full accompanying description for specific information regarding the part that was not shown in the index.
- From the parts list, obtain the item number assigned to it and confirm that the part selected is correct by verifying it with the pictorial representation on the illustrated page.

2. IF YOU KNOW THE PART NUMBER

- Use the INDEX OF MAJOR COMPONENTS to find the page(s) the part number appears on.
- Turn to the page number indicated and locate the part number in the parts list. Refer to the accompanying description for specific information regarding the part.
- From the parts list, obtain the item number assigned to it and confirm that the part selected is correct by verifying it with the pictorial representation on the illustrated page.

Should an asterisk (*) appear in the part number column on the parts list page, read upwards until a part number is found. The part number is the lowest assembly sold by Service Parts. The asterisk (*) indicates that the part depicted is not available for purchase.

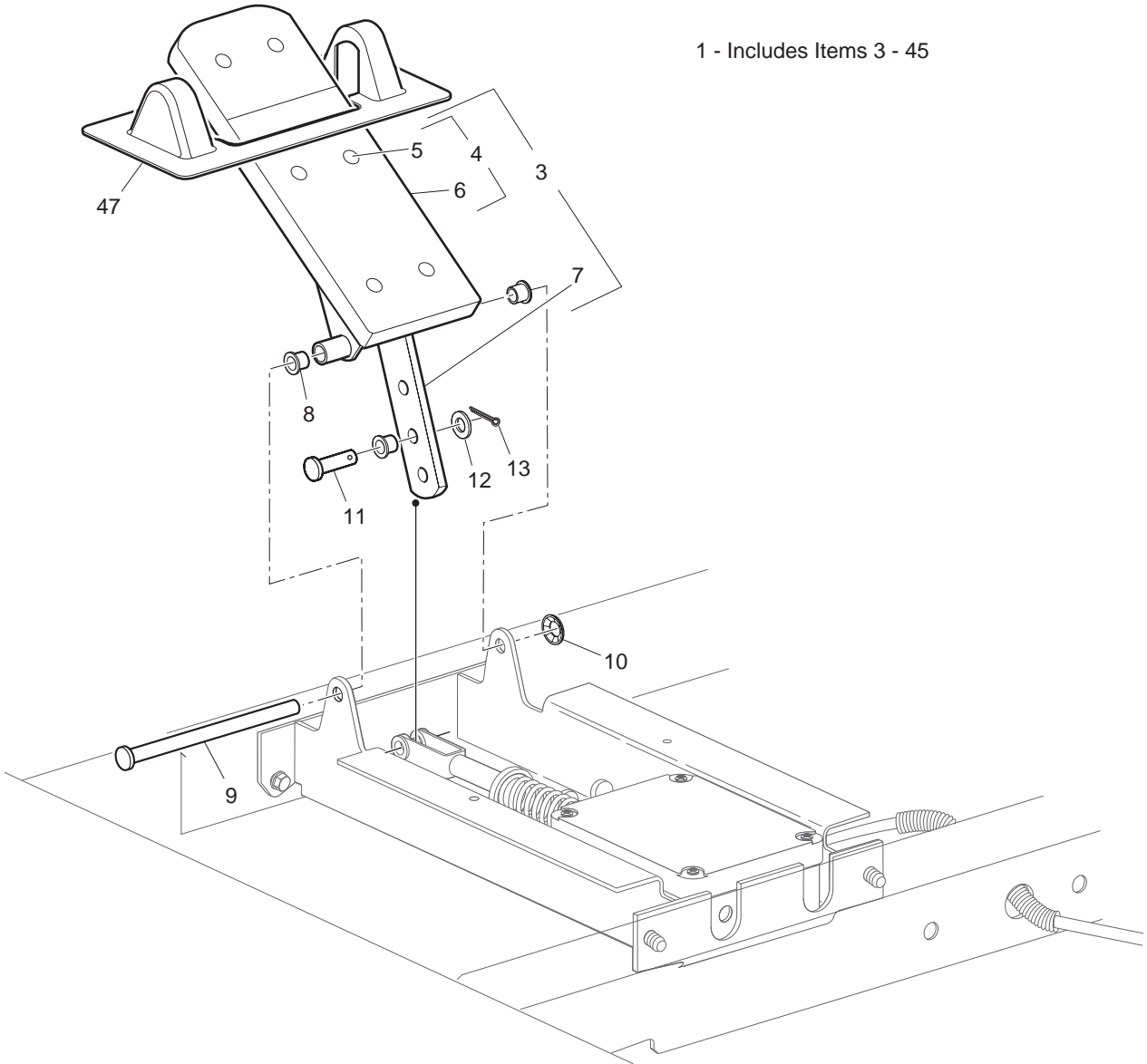
NOTE: Descriptions are indented under the assembly that they are used on. That assembly is, in turn listed under the assembly that it is used on. This process is repeated until the highest final assembly is reached.

To facilitate the maintenance and repair of the vehicle, a Technician's Repair and Service Manual is available from the Service Parts Department.

ILLUSTRATED PARTS BREAKDOWN

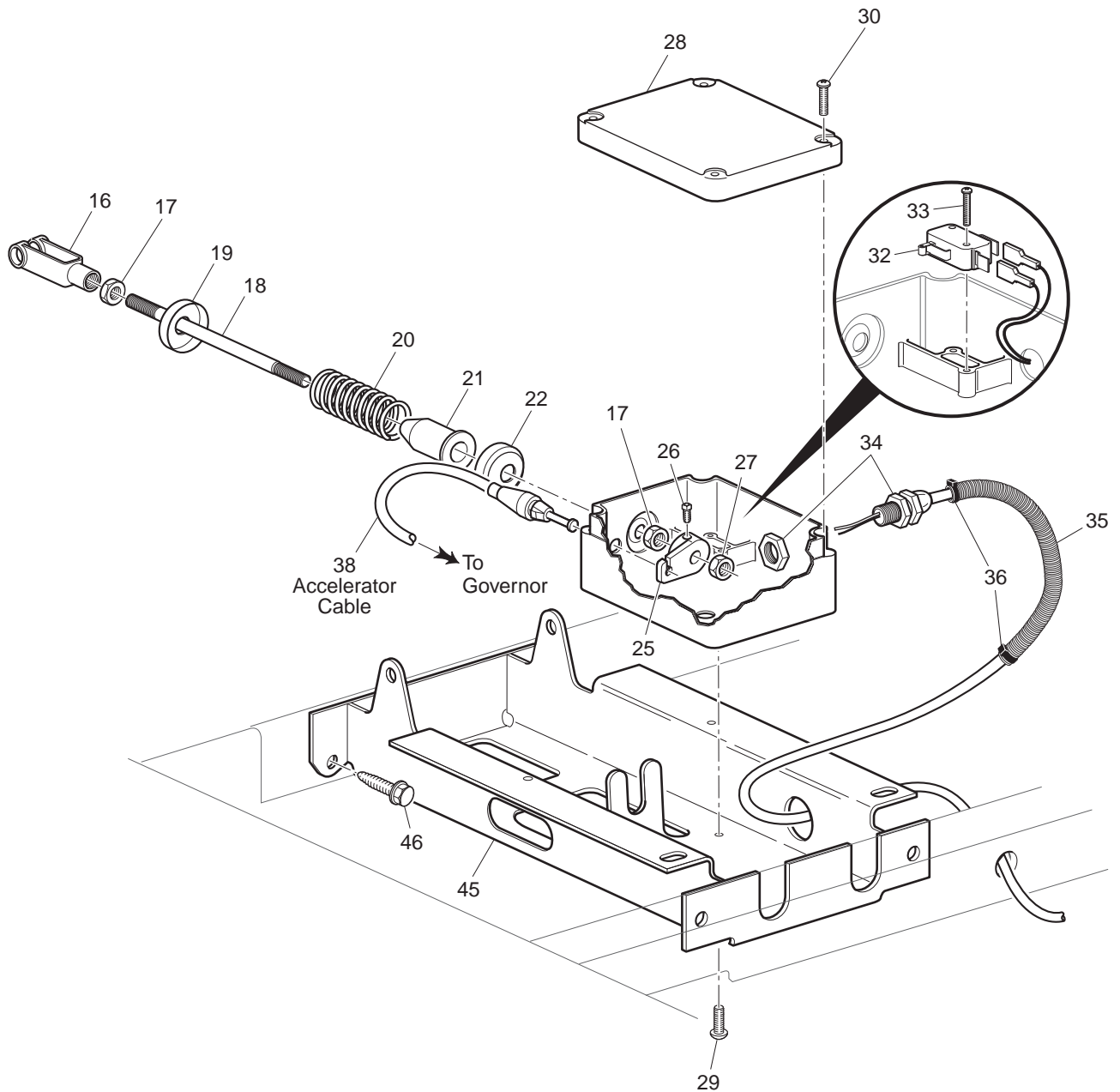
ILLUSTRATED PARTS BREAKDOWN

ACCELERATOR



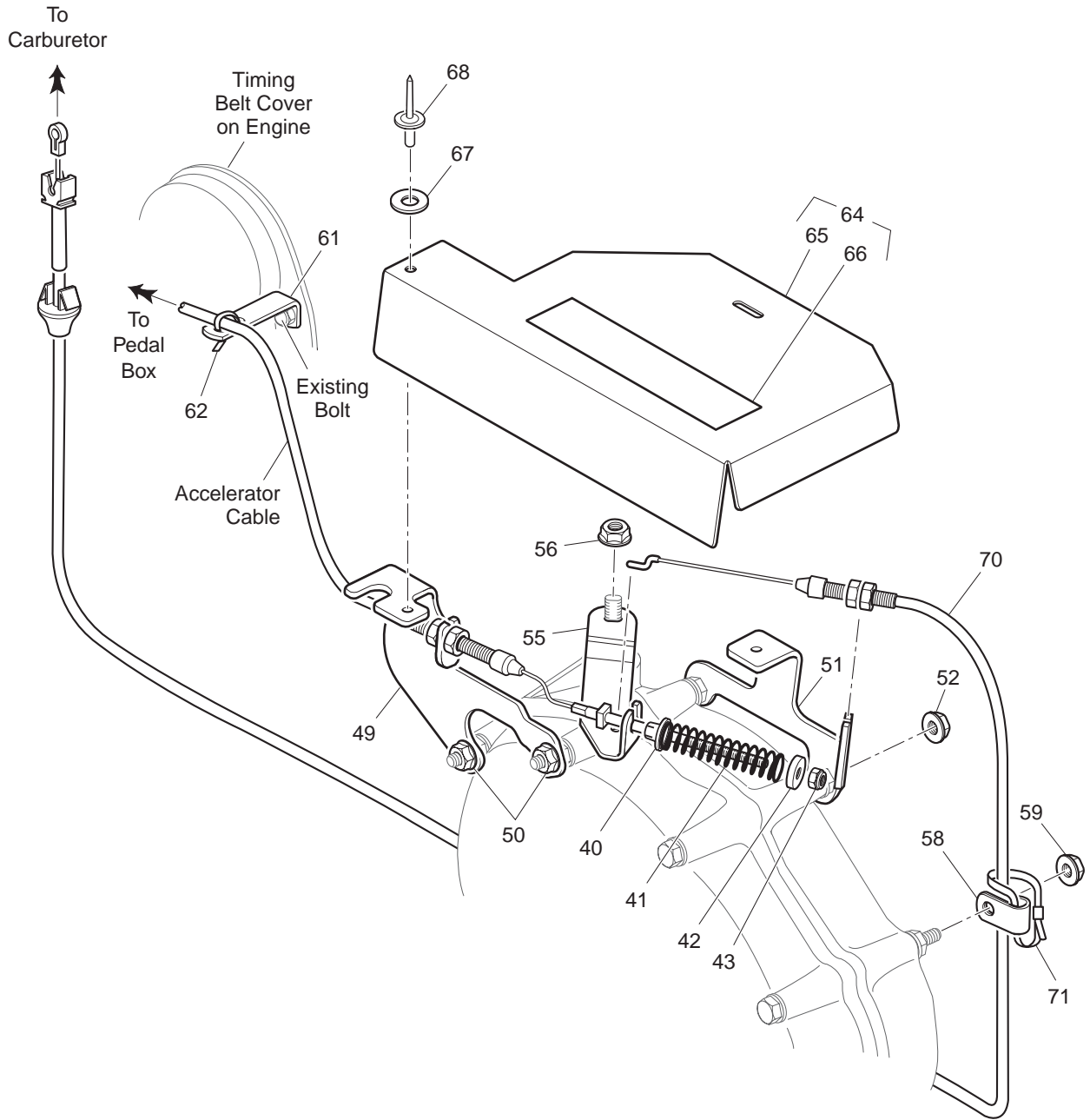
Ref Acl 6-1

ACCELERATOR



Ref Acc 21-2

ACCELERATOR



Ref Acl 6-3

ACCELERATOR

When ordering parts, please specify the model and serial number of the product.

* Indicates a component that is not available as an individual part.

G** Indicates consult Customer Service Department for additional information.

ITEM	PART NO.	1 2 3 4 5	DESCRIPTION	QTY.
1	72717-G05		PEDAL BOX ASSEMBLY (INCLUDES ITEMS 3 - 45)	1
2				
3	25799-G03		ACCELERATOR PEDAL ASSEMBLY (INCLUDES ITEMS 4 - 7).....	1
4	27844-G01		ACCELERATOR PEDAL PAD KIT (INCLUDES ITEMS 5 - 6).....	1
5	15766-G1		OVAL RIVET, 3/16" X 3/8" LG.....	6
6	27512-G01		ACCELERATOR PEDAL PAD	1
7	*		ACCELERATOR PEDAL	1
8	17838-G1		NYLON BUSHING	3
9	74432-G01		PEDAL PIVOT PIN	1
10	12064-G6		PUSH NUT, 9/32"	1
11	10386-G3		CLEVIS PIN, 5/16" X 1" LG	1
12	17255-G1		TEFLON WASHER, 5/16"	1
13	10387-G3		COTTER PIN, 3/32" X 3/4" LG	1
14				
15				
16	10385-G4		CLEVIS YOKE (ADJUSTABLE).....	1
17	00532-G4		LOCK NUT, 5/16 - 24	2
18	72072-G01		ACCELERATOR ROD	1
19	17677-G2		SPRING RETAINER	1
20	73046-G01		COMPRESSION SPRING	1
21	17979-G1		ACCELERATOR ROD BUSHING	1
22	17677-G1		SPRING RETAINER	1
23				
24				
25	72716-G01		MICRO SWITCH CAM.....	1
26	00487-G3		SETSCREW, 1/4 - 20 X 3/8" LG.	1
27	15126-G1		LOCK NUT, 5/16 - 24	1
28	25853-G03		PEDAL BOX AND COVER	1
29	01051-G01		SCREW, #8 - 16 X 1/2" LG.	4
30	00684-G6		SCREW, #8 - 32 X 3/4" LG.	4

ACCELERATOR

When ordering parts, please specify the model and serial number of the product.

* Indicates a component that is not available as an individual part.

G** Indicates consult Customer Service Department for additional information.

ITEM	PART NO.	1	2	3	4	5	DESCRIPTION	QTY.
31								
32	25861-G01						MICRO SWITCH.....	1
33	01050-G01						SCREW, #4 - 20 X 5/8" LG	2
34	72201-G04						WIRE HARNESS (PEDAL BOX)	1
35	17313-G1						LOOM FLEX (BULK).....	AR
36	17618-G1						WIRE TIE	2
37								
38	72713-G02						ACCELERATOR CABLE	1
39								
40	72706-G01						ACCELERATOR CABLE BUSHING	1
41	72707-G01						COMPRESSION SPRING	1
42	25727-G02						CUP WASHER.....	1
43	00734-G5						LOCK NUT, #10 - 32.....	1
44								
45	70116-G02						ACCELERATOR PEDAL BRACKET.....	1
46	00715-G2						BOLT, 5/16 - 18 X 13/16" LG	4
47	70135-G01						PEDAL PIVOT COVER	1
48								
49	72701-G01						ACCELERATOR CABLE MOUNTING BRACKET	1
50	26830-G01						LOCK NUT, M8 X 1.25 MM	2
51	72703-G01						THROTTLE CABLE MOUNTING BRACKET	1
52	26830-G01						LOCK NUT, M8 X 1.25 MM	2
53								
54								
55	72708-G01						GOVERNOR ARM	1
56	26830-G01						LOCK NUT, M8 X 1.25 MM	1
57								
58	11845-G3						CLAMP	1
59	26830-G01						LOCK NUT, M8 X 1.25 MM	1
60								

ACCELERATOR

When ordering parts, please specify the model and serial number of the product.

* Indicates a component that is not available as an individual part.

G** Indicates consult Customer Service Department for additional information.

ITEM	PART NO.	1 2 3 4 5	DESCRIPTION	QTY.
61	72055-G01		ACCELERATOR CABLE BRACKET	1
62	17618-G1		WIRE TIE	1
63				
64	74457-G01		GOVERNOR COVER/DECAL ASSEMBLY (INCLUDES ITEMS 65, 66)	1
65	72705-G01		GOVERNOR COVER	1
66	24880-G01		DECAL (WARNING - GOVERNOR)	1
67	00915-G1		BONDED WASHER, 1/4"	2
68	14601-G11		RIVET, 3/16" X 9/16" LG	2
69				
70	72714-G01		THROTTLE CABLE.....	1
71	17618-G1		WIRE TIE	1

AIR FILTER

Where applicable, THE USE OF NON UL PARTS WILL VOID ANY UL LISTING.

When ordering parts, please specify the model and serial number of the product.

* Indicates a component that is not available as an individual part.

G** Indicates consult Customer Service Department for additional information.

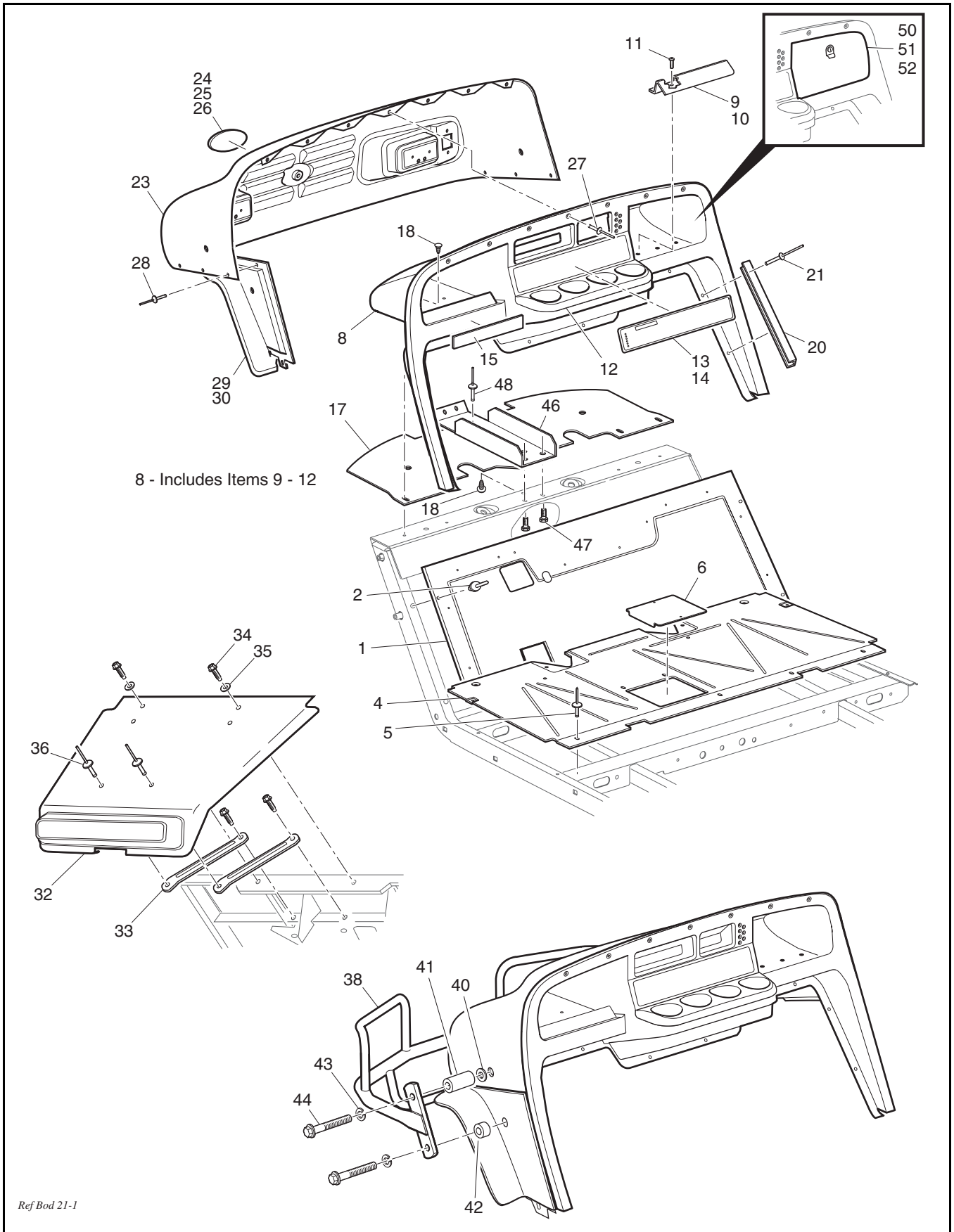
ITEM	PART NO.	1 2 3 4 5	DESCRIPTION	QTY.
1	72416-G01		INLET ADAPTER	1
2	72415-G01		GASKET	1
3	71055-G01		RIVET, 3/16" X 3/8" LG	4
4	11391-G2		CLAMP	1
5	72637-G02		HOSE (CONVOLUTED).....	1
6				
7	11391-G1		HOSE CLAMP	1
8	14601-G11		RIVET, 3/16" X 9/16" LG	2
9	00915-G1		WASHER, #14 ID	2
10	72607-G01		AIR CLEANER CANISTER ASSEMBLY (INCLUDES ITEMS 11 - 14).....	1
11	72598-G01		AIR CLEANER CANISTER.....	1
12	72599-G01		AIR CLEANER COVER	1
13	72604-G01		AIR CLEANER LATCH	2
14	28462-G01		AIR CLEANER DUST COLLECTOR	1
15	28463-G01		AIR CLEANER ELEMENT	1
16	11391-G7		HOSE CLAMP	1
17	72592-G01		HOSE (AIR FILTER TO CARBURETOR).....	1
18	11391-G6		HOSE CLAMP	1
19	26727-G01		CARBURETOR GASKET	2
20	74498-G02		CHOKE / THROTTLE BRACKET.....	1
21	74499-G02		CHOKE THROTTLE COVER.....	1
22	72591-G01		CARBURETOR ADAPTER	1
23	72151-G01		PCV HOSE	1
24	23726-G11		CARBURETOR MOUNTING SPACER	4
25	00664-G7		WASHER, 1/4"	2
26	13632-G1		NUT, M6 X 1	4
27	72605-G01		CARBURETOR BAFFLE.....	1
28	72514-G01		STUD.....	2
29	26639-G01		BOLT, M8 X 1.25 X 20 MM.....	2
30	00565-G8		LOCK WASHER, 5/16".....	2

AIR FILTER

Where applicable, THE USE OF NON UL PARTS WILL VOID ANY UL LISTING.
 When ordering parts, please specify the model and serial number of the product.
 * Indicates a component that is not available as an individual part.
 G** Indicates consult Customer Service Department for additional information.

ITEM	PART NO.	1	2	3	4	5	DESCRIPTION	QTY.
31								
32								
33								
34	75878-G02						AIR FILTER BRACKET (CABLE ACTUATED CARBURETOR).....	1
35	12547-G3						BOLT, M6 X 1MM X 20MM LG	1
36	00664-G7						LOCK WASHER, 1/4"	1
37	00559-G7						WASHER, 1/4"	1
38	00415-G2						BOLT, 1/4 - 20 X 1 1/4" LG	2
39	00559-G7						WASHER, 1/4"	2
40	14390-G4						LOCK NUT, 1/4 - 20	2

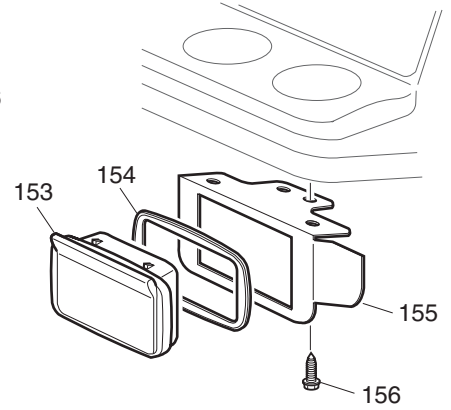
BODY



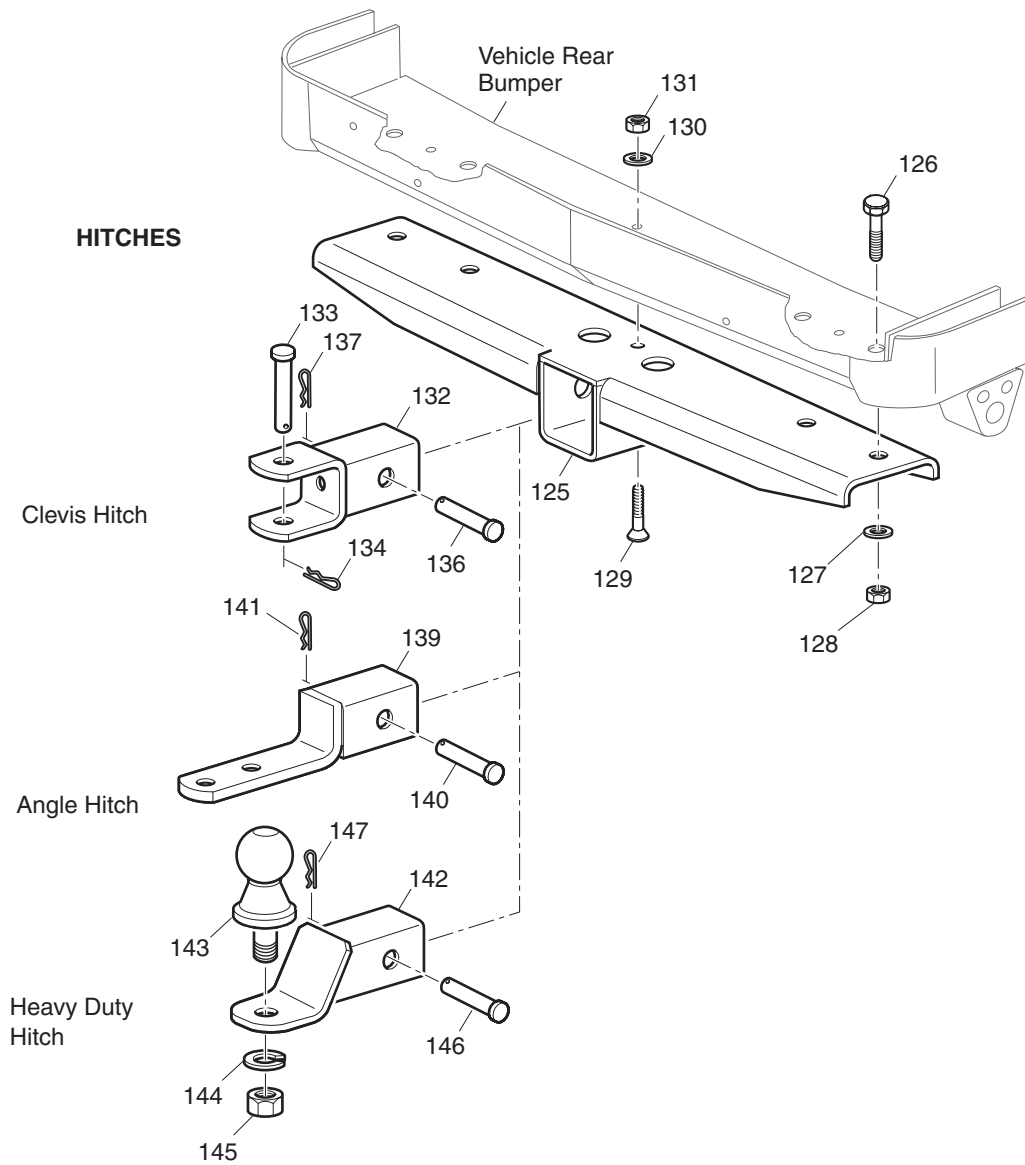
BODY

ASHTRAY

152 - Includes Items 153 - 156



HITCHES



Ref Bod 21-3

Where applicable, THE USE OF NON UL PARTS WILL VOID ANY UL LISTING.

When ordering parts, please specify the model and serial number of the product.

* Indicates a component that is not available as an individual part.

G** Indicates consult Customer Service Department for additional information.

ITEM	PART NO.	1 2 3 4 5	DESCRIPTION	QTY.
1	70662-G01		UPPER FLOORPAN (AXLE MOUNTED STEERING)	1
2	14601-G11		RIVET, 3/16" X 9/16" LG	9
3				
4	70451-G01		LOWER FLOORPAN.....	1
5	14601-G11		RIVET, 3/16" X 9/16" LG	7
6	70452-G01		ACCESS COVER.....	1
7				
8	71151-G01		INSTRUMENT PANEL ASSEMBLY (INCLUDES ITEMS 9 - 12)	1
9	71153-G01		DEFLECTOR (PASSENGER SIDE)	1
10	71154-G01		DEFLECTOR (DRIVER SIDE).....	1
11	00614-G5		SCREW, #8 - 18 X 5/8" LG	6
12	71158-G01		INSTRUMENT PANEL INSERT (FOUR CUP).....	1
13	71177-G01		LABEL (SAFETY) (TEXT)	1
14	74409-G01		LABEL (SAFETY) (PICTOGRAPH).....	1
15	74443-G01		LABEL (ANTI-ROLLBACK)	1
16				
17	71413-G01		SPLASH PANEL.....	1
18	16816-G2		RATCHET FASTENER, 1/4" X 3/4" LG	5
19				
20	71115-G01		VINYL TRIM	2
21	71055-G01		RIVET, 3/16" X 1" LG	10
22				
23	71468-G**		COWL (LX/SE)	1
24	71289-G01		NAMEPLATE (E-Z-GO) (OVAL)	1
25	28907-G01		NAMEPLATE (JACOBSEN) (OVAL)	1
26	74401-G01		NAMEPLATE (CUSHMAN) (OVAL).....	1
27	71055-G01		RIVET, 3/16" X 1" LG	9
28	71055-G01		RIVET, 3/16" X 1" LG	6
29	71338-G01		FENDER FLARE (DRIVER SIDE).....	1
30	71338-G02		FENDER FLARE (PASSENGER SIDE)	1

BODY

Where applicable, THE USE OF NON UL PARTS WILL VOID ANY UL LISTING.

When ordering parts, please specify the model and serial number of the product.

* Indicates a component that is not available as an individual part.

G** Indicates consult Customer Service Department for additional information.

ITEM	PART NO.	1 2 3 4 5	DESCRIPTION	QTY.
31				
32	27166-G02		FRONT SHIELD	1
33	70725-G01		FRONT SHIELD BRACE.....	2
34	01038-G01		SCREW, 1/4 - 20 X 1/2" LG.....	4
35	16469-G1		WASHER, 1/4"	2
36	01057-G01		RIVET, KTR, 1/4" X 1" LG	2
37				
38	74265-G02		BUMPER	1
39				
40	00570-G2		WASHER, 5/16"	2
41	75048-G04		SPACER, 1".....	2
42	75048-G01		SPACER, 1/2".....	2
43	00905-G8		LOCK WASHER, 5/16".....	4
44	01035-G02		BOLT, 5/16 - 18 X 2 1/2" LG	4
45				
46	71101-G01		COWL SUPPORT BRACKET	1
47	71102-G02		SELF TAPPING SCREW, 1/4 - 20 X 1/2" LG	3
48	71055-G02		RIVET, 3/16" X 1 1/8" LG	1
49				
50	75459-G01		GLOVE BOX DOORS (BOTH SIDES)	1
51	75459-G02		GLOVE BOX DOOR (DRIVER SIDE)	1
52	75459-G03		GLOVE BOX DOOR (PASSENGER SIDE).....	1
53				
54	74801-G01		LABEL (MPT™).....	2
55	74807-G01		LABEL (1200).....	2
56				
57	74099-G01		LABEL, TILT WARNING PICTOGRAPH	2
58				
59	28915-G01		LABEL (JACOBSEN HAULER™) (DRIVER SIDE).....	1
60	28915-G02		LABEL (JACOBSEN HAULER™) (PASSENGER SIDE)	1

Where applicable, THE USE OF NON UL PARTS WILL VOID ANY UL LISTING.

When ordering parts, please specify the model and serial number of the product.

* Indicates a component that is not available as an individual part.

G** Indicates consult Customer Service Department for additional information.

ITEM	PART NO.	1 2 3 4 5	DESCRIPTION	QTY.
61	74807-G01		LABEL (1200).....	2
62				
63	75743-G01		LABEL (REFRESHER).....	2
64				
65	28952-G01		LABEL (CUSHMAN COMMANDER™) (DRIVER SIDE).....	1
66	28952-G02		LABEL (CUSHMAN COMMANDER™) (PASSENGER SIDE)	1
67	28968-G01		LABEL (2200).....	2
68				
69	*		SERIAL NUMBER PLATE	1
70				
71	71439-G03		ROCKER PANEL (DRIVER SIDE)	1
72	71439-G04		ROCKER PANEL (PASSENGER SIDE).....	1
73	71424-G01		FENDER SPACER (DRIVER SIDE).....	1
74	71424-G02		FENDER SPACER (PASSENGER SIDE)	1
75	71440-G03		BRACE (DRIVER SIDE).....	1
76	71440-G04		BRACE (PASSENGER SIDE)	1
77	00789-G2		SCREW, #10 - 24 X 1 1/4" LG.....	4
78	23726-G2		SPACER, 1/4"	2
79	00660-G5		WASHER, #10.....	4
80	11098-G7		LOCK NUT, #10 - 24	4
81				
82	16705-G1		SCREW, 1/4 - 20 X 1" LG.....	4
83	23726-G2		SPACER, 1/4"	4
84	00559-G7		WASHER, 1/4"	4
85	14390-G4		LOCK NUT, 1/4 - 20	4
86	71764-G01		SILL PLATE TREAD.....	2
87				
88	20271-G9		HOLE PLUG, 1/2"	1
89				
90	70663-G04		FLOORMAT (AXLE MOUNTED STEERING).....	1

BODY

Where applicable, THE USE OF NON UL PARTS WILL VOID ANY UL LISTING.
 When ordering parts, please specify the model and serial number of the product.
 * Indicates a component that is not available as an individual part.
 G** Indicates consult Customer Service Department for additional information.

ITEM	PART NO.	1 2 3 4 5	DESCRIPTION	QTY.
91	71977-G**		SEAT SUPPORT PANEL (W/DRIVER SIDE LOUVERS)	1
92				
93				
94	10570-G10		RIVET, 5/32" X 9/16" LG	8
95	71609-G01		SEAT HINGE PLATE	2
96	10570-G11		RIVET, 3/16" X 3/4" LG	4
97	71674-G01		SIDE PANEL (DRIVER SIDE)	1
98	71674-G02		SIDE PANEL (PASSENGER SIDE).....	1
99	10570-G10		RIVET, 5/32" X 9/16" LG	4
100	10570-G12		RIVET, 1/4" X 1/2" LG	4
101	16469-G7		WASHER, 1/4"	4
102				
103	70244-G03		SPLASH PANEL.....	1
104	00715-G2		BOLT, 5/16 - 18 X 13/16" LG	2
105	00438-G8		BOLT, 5/16 - 18 X 1" LG	2
106	00559-G8		WASHER, 5/16"	2
107	11098-G6		LOCK NUT, 5/16 - 18	2
108				
109	71572-G01		FENDER (DRIVER SIDE)	1
110	71572-G02		FENDER (PASSENGER SIDE).....	1
111	71572-G03		FENDER WITH TAILLIGHT (DRIVER SIDE)	1
112	71572-G04		FENDER WITH TAILLIGHT (PASSENGER SIDE).....	1
113	11027-G2		LOCK NUT, 1/4 - 20	12
114	00559-G7		WASHER, 1/4"	12
115	00414-G7		BOLT, 1/4 - 20 X 7/8" LG	12
116	71587-G02		REAR PANEL	1
117	71055-G01		RIVET, 3/16" X 1" LG	4
118	16816-G2		RATCHET FASTENER, 1/4" X 3/4" LG	
119	75971-G01		SEAT FILLER PANEL (DRIVER SIDE)	1
120	75971-G02		SEAT FILLER PANEL (PASSENGER SIDE).....	1

Where applicable, THE USE OF NON UL PARTS WILL VOID ANY UL LISTING.

When ordering parts, please specify the model and serial number of the product.

* Indicates a component that is not available as an individual part.

G** Indicates consult Customer Service Department for additional information.

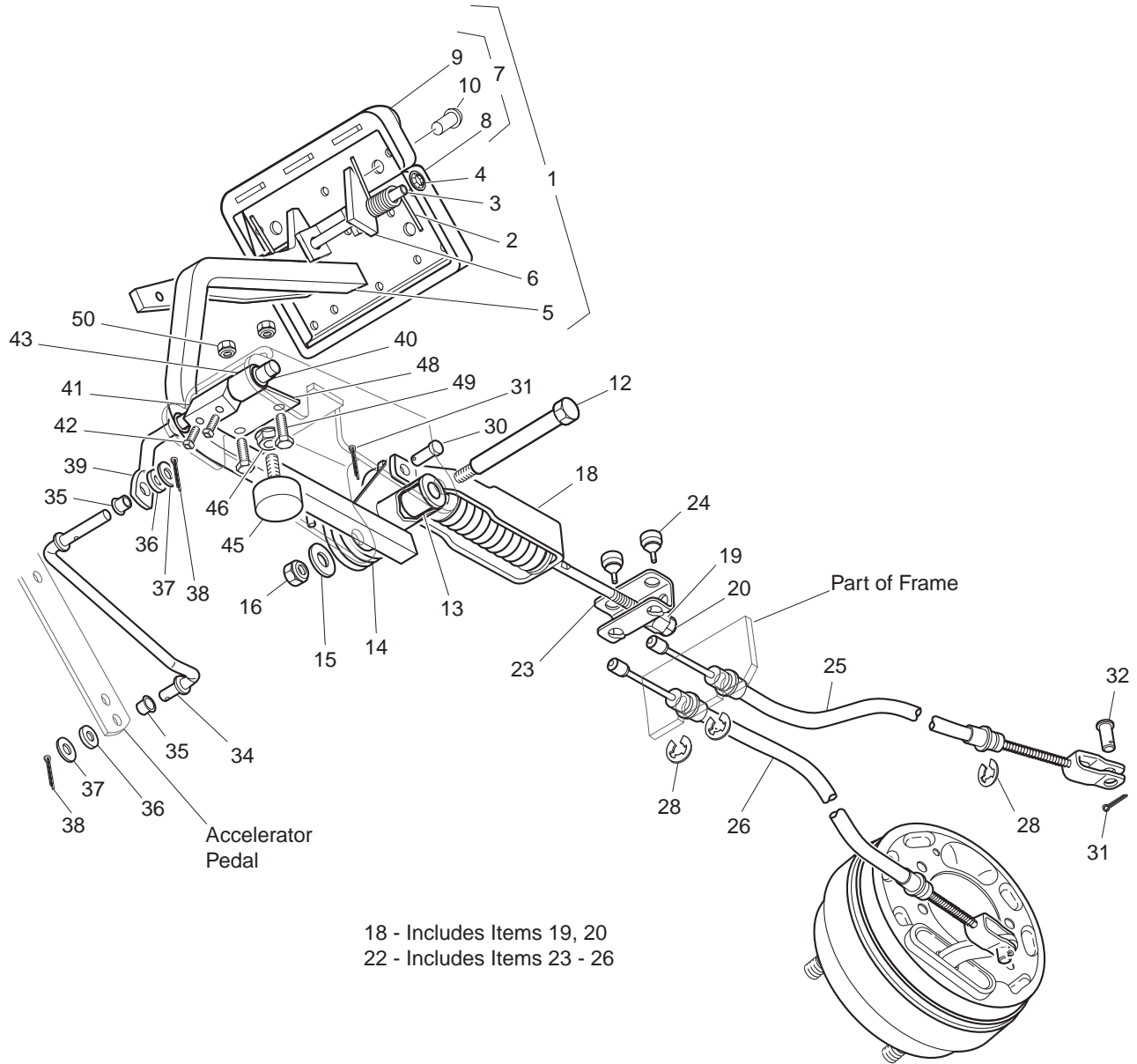
ITEM	PART NO.	1 2 3 4 5	DESCRIPTION	QTY.
121	10570-G10		RIVET, 5/32" X 9/16" LG	6
122				
123	74755-G01		LABEL (E-SHIELD™).....	1
124				
125	74348-G02		HITCH RECEIVER	1
126	00463-G4		BOLT, 7/16 - 14 X 1 1/2" LG	4
127	00922-G3		WASHER, 7/16"	4
128	00734-G1		LOCK NUT, 7/16 - 14	4
129	00198-G8		SCREW, 5/16 - 18 X 1" LG.....	1
130	00559-G8		WASHER, 5/16"	1
131	11098-G6		LOCK NUT, 5/16 - 18	1
132	74338-G02		CLEVIS HITCH.....	1
133	14443-G7		CLEVIS PIN, 1/2" X 2 1/2" LG	1
134	19314-G1		COTTER PIN, 2 1/2" LG.....	1
135				
136	21317-G01		CLEVIS PIN, 5/8" X 3" LG	1
137	21683-G1		COTTER PIN, 15/32" X 2 11/16" LG	1
138				
139	74339-G02		ANGLE HITCH	1
140	21317-G01		CLEVIS PIN, 5/8" X 3" LG	1
141	21683-G1		COTTER PIN, 15/32" X 2 11/16" LG	1
142	74351-G02		HEAVY DUTY HITCH.....	1
143	31757-G1		HITCH BALL, 1 7/8"	1
144	00566-G6		LOCK WASHER, 3/4"	1
145	00702-G11		NUT, 3/4 - 16	1
146	21317-G01		CLEVIS PIN, 5/8" X 3" LG	1
147	21683-G1		COTTER PIN, 15/32" X 2 11/16" LG	1
148				
149	70440-G04		SEAT FRAME.....	1
150	00715-G2		SCREW, 3/8 - 16 X 1/4" LG.....	2

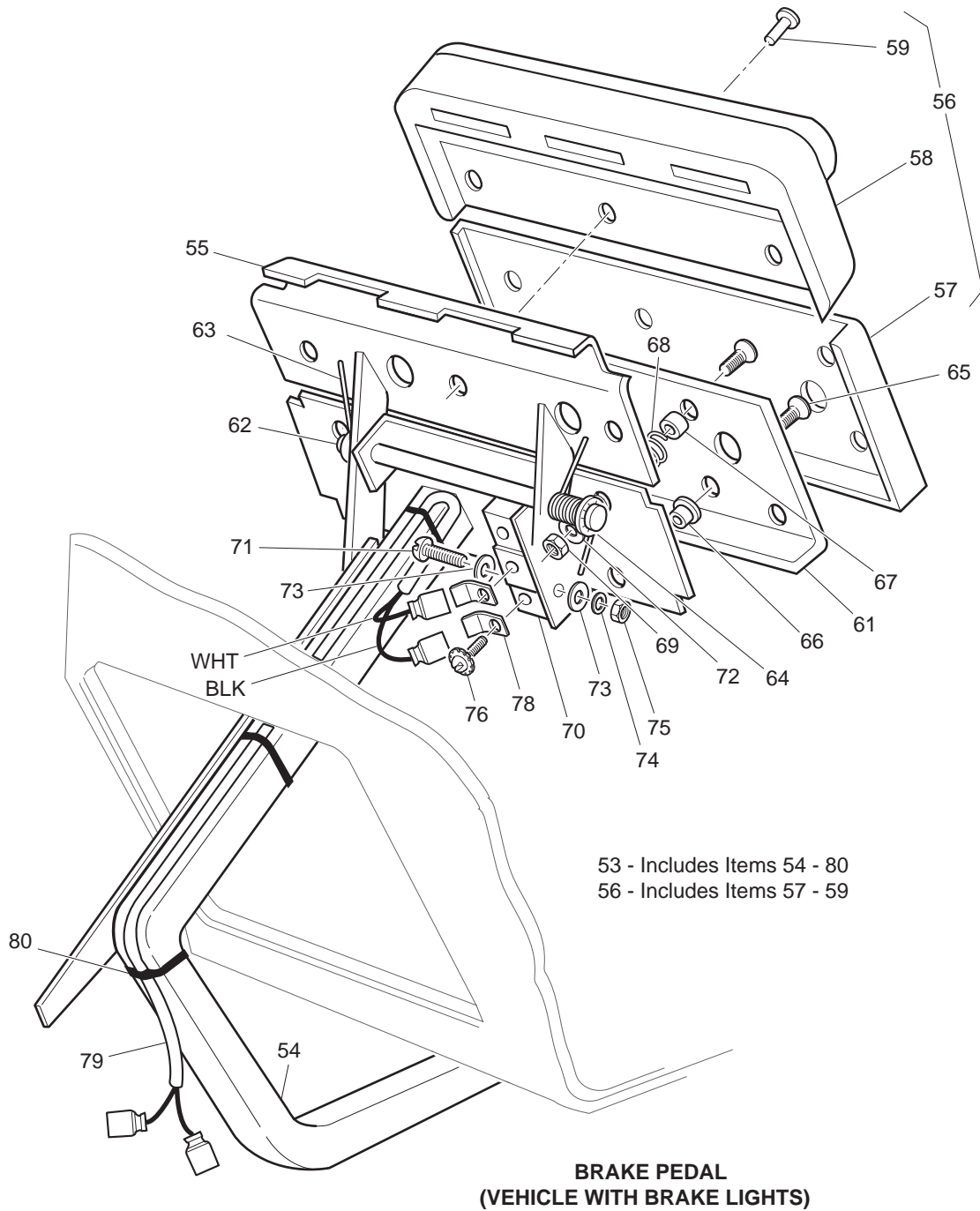
BODY

Where applicable, THE USE OF NON UL PARTS WILL VOID ANY UL LISTING.
 When ordering parts, please specify the model and serial number of the product.
 * Indicates a component that is not available as an individual part.
 G** Indicates consult Customer Service Department for additional information.

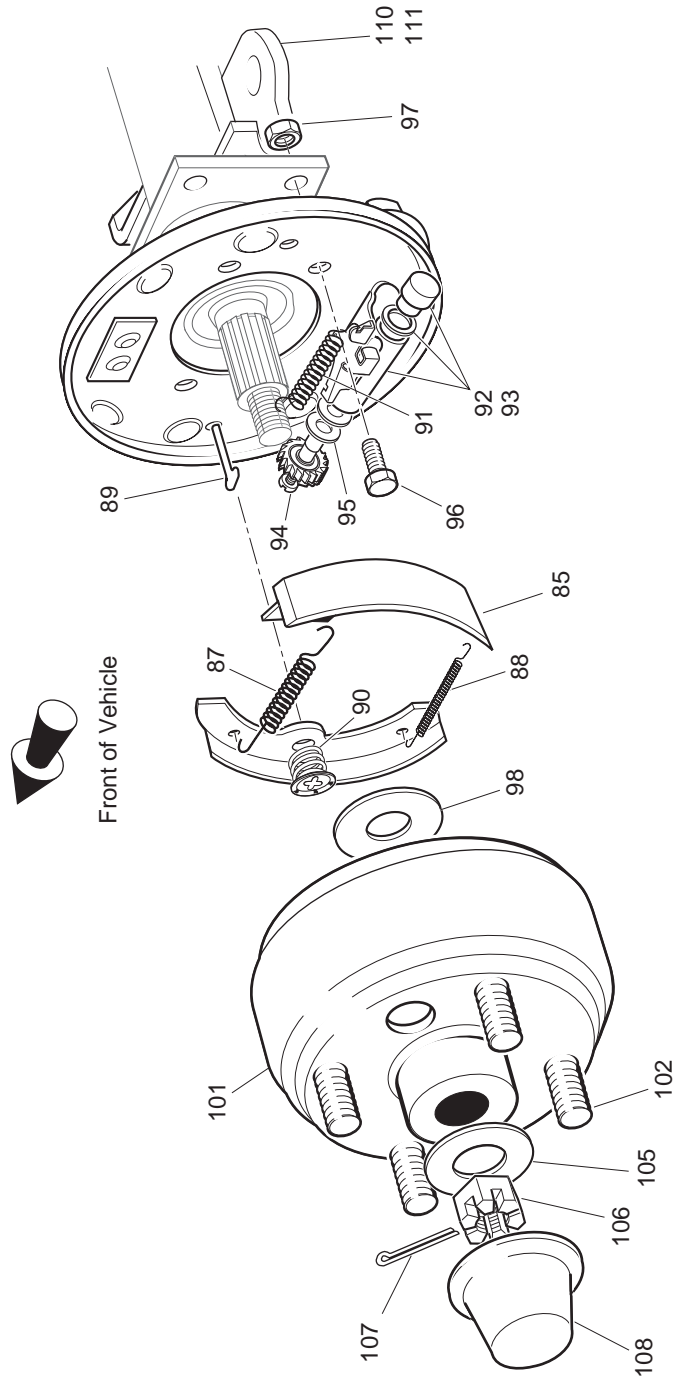
ITEM	PART NO.	1 2 3 4 5	DESCRIPTION	QTY.
151				
152	75109-G04		ASH TRAY KIT (INCLUDES ITEMS 153 - 156)	1
153	27731-G01		ASH TRAY	1
154	27736-G01		GASKET	1
155	75108-G02		BRACKET	1
156	00100-G4		SCREW, #10 - 16 X 1/2" LG	4
157				
158	70245-G01		BATTERY TRAY	1
159	00715-G2		BOLT, 5/16 - 18 X 13/16" LG	2
160	00438-G8		BOLT, 5/16 - 18 X 1" LG	2
161	00571-G2		WASHER, 5/16"	2
162	11098-G6		LOCK NUT, 5/16 - 18	2

BRAKES





BRAKES



- 82 - Includes Items 84 - 92
- 83 - Includes Items 84 - 93
- 84 - Includes Items 85
- 86 - Includes Items 87 - 91
- 92 - Includes Items 94, 95
- 93 - Includes Items 94, 95
- 100 - Includes Items 101, 102

Ref Brk 6-3

BRAKES

THE USE OF NON U.L. PARTS WILL VOID ANY U.L. LISTING.

When ordering parts, please specify the model and serial number of the product.

* Indicates a component that is not available as an individual part.

G** Indicates consult Customer Service Department for additional information.

ITEM	PART NO.	1 2 3 4 5	DESCRIPTION	QTY.
1	70612-G02		BRAKE PEDAL ASSEMBLY (WITHOUT BRAKE LIGHTS) (INCLUDES ITEMS 2 - 10).....	1
2	70681-G01		TORSION SPRING.....	2
3	70682-G01		PIVOT PIN.....	1
4	01071-G01		PUSHNUT, 5/16".....	1
5	*		BRAKE PEDAL.....	1
6	70611-G02		PARK BRAKE PEDAL.....	1
7	70274-G01		BRAKE/PARK BRAKE PEDAL PAD KIT (INCLUDES ITEMS 8 - 10).....	1
8	*		SERVICE BRAKE PAD.....	1
9	*		PARK BRAKE PEDAL PAD.....	1
10	15766-G1		OVAL RIVET, 3/16" X 3/8" LG.....	9
11				
12	70582-G01		SHOULDER BOLT, 3/8 - 16 X 4" LG.....	1
13	70581-G01		FLANGED BUSHING.....	2
14	70676-G01		TORSION SPRING.....	1
15	00643-G1		WASHER, 3/8".....	1
16	11098-G5		LOCK NUT, 3/8 - 16.....	1
17				
18	70272-G04		COMPENSATOR ASSEMBLY (INCLUDES ITEMS 19, 20).....	1
19	00963-G01		SPHERICAL NUT, 5/16 - 24.....	1
20	11098-G9		LOCK NUT, 5/16 - 24.....	1
21				
22	70969-G05		EQUALIZER AND BRAKE CABLE ASSEMBLY (INCLUDES ITEMS 23 - 26)....	1
23	28082-G01		EQUALIZER BRACKET.....	1
24	28083-G01		BRAKE COMPENSATOR BUMPER.....	2
25	*		BRAKE CABLE (DRIVER SIDE).....	1
26	*		BRAKE CABLE (PASSENGER SIDE).....	1
27				
28	01111-G01		RETAINING RING, S.S.....	4
29				

BRAKES

THE USE OF NON U.L. PARTS WILL VOID ANY U.L. LISTING.

When ordering parts, please specify the model and serial number of the product.

* Indicates a component that is not available as an individual part.

G** Indicates consult Customer Service Department for additional information.

ITEM	PART NO.	1 2 3 4 5	DESCRIPTION	QTY.
30	10386-G3		CLEVIS PIN, 5/16" X 1" LG	3
31	10387-G3		COTTER PIN, 3/32" X 3/4" LG	3
32	14443-G2		CLEVIS PIN, 5/16" X 3/4" LG	2
33				
34	70601-G01		KICK-OFF LINK.....	1
35	17838-G1		NYLON BUSHING.....	2
36	20835-G1		TEFLON WASHER, 3/8"	2
37	00559-G8		WASHER, 5/16"	2
38	10387-G3		COTTER PIN, 3/32" X 3/4" LG	2
39	70098-G01		KICK-OFF CAM PIVOT	1
40	10097-G6		FLANGED BEARING	2
41	70587-G01		KICK-OFF CAM.....	1
42	71215-G01		SETSCREW, 1/4 - 20 X 1/2" LG.....	2
43	14134-G4		SPACER.....	1
44				
45	70113-G01		ADJUSTABLE BUMPER	1
46	11027-G1		LOCK NUT, 5/16 - 18	1
47				
48	70080-G02		CATCH BRACKET	1
49	00414-G6		BOLT, 1/4 - 20 X 3/4" LG	2
50	00891-G2		LOCK NUT, 1/4 - 20	2
51				
52				
53	70690-G02		BRAKE PEDAL ASSEMBLY (WITH BRAKE LIGHTS) (INCLUDES ITEMS 54 - 80).....	1
54	*		BRAKE PEDAL.....	1
55	70611-G02		PARK BRAKE PEDAL	1
56	70274-G01		BRAKE/PARK BRAKE PEDAL PAD KIT (INCLUDES ITEMS 57 - 59).....	1
57	*		SERVICE BRAKE PAD	1
58	*		PARK BRAKE PAD.....	1

BRAKES

THE USE OF NON U.L. PARTS WILL VOID ANY U.L. LISTING.

When ordering parts, please specify the model and serial number of the product.

* Indicates a component that is not available as an individual part.

G** Indicates consult Customer Service Department for additional information.

ITEM	PART NO.	1	2	3	4	5	DESCRIPTION	QTY.
59	15766-G1						OVAL RIVET, 3/16" x 3/8" LG.....	9
60								
61	70258-G03						BRAKE PEDAL PLATE.....	1
62	70682-G01						PIVOT PIN.....	1
63	70681-G01						TORSION SPRING.....	2
64	01071-G01						PUSHNUT, 5/16".....	1
65	00737-G8						SCREW, #10 - 24 X 1" LG.....	4
66	00739-G1						RUBBER NUT, #10 - 24.....	2
67	22362-G3						BRAKE PEDAL STANDOFF.....	2
68	27137-G01						CONICAL SPRING.....	2
69	11098-G7						LOCK NUT, #10 - 24.....	2
70	10606-G8						MICRO SWITCH.....	1
71	00957-G1						SCREW, #6 - 32 X 1 1/4" LG.....	2
72	00559-G5						WASHER, #10.....	2
73	00559-G3						WASHER, #6.....	4
74	00565-G3						LOCK WASHER, #6.....	2
75	00525-G5						NUT, #6 - 32.....	2
76	13514-G1						SCREW AND LOCK WASHER, #6.....	2
77								
78	14628-G1						FASTON TAB.....	2
79	24605-G1						WIRE HARNESS (BRAKE LIGHT).....	1
80	17618-G1						WIRE TIE.....	3
81								
82	70998-G01						BRAKE ASSEMBLY (DRIVER SIDE) (INCLUDES ITEMS 84 - 92).....	1
83	70998-G02						BRAKE ASSEMBLY (PASSENGER SIDE) (INCL. ITEMS 84 - 91, 93).....	1
84	70794-G01						BRAKE SHOE KIT (INCLUDES ITEM 85).....	2
85	*						BRAKE SHOE.....	2
86	27944-G01						BRAKE SPRING KIT (INCLUDES ITEMS 87 - 91).....	2
87	*						UPPER SPRING.....	1
88	*						LOWER SPRING.....	1

BRAKES

THE USE OF NON U.L. PARTS WILL VOID ANY U.L. LISTING.

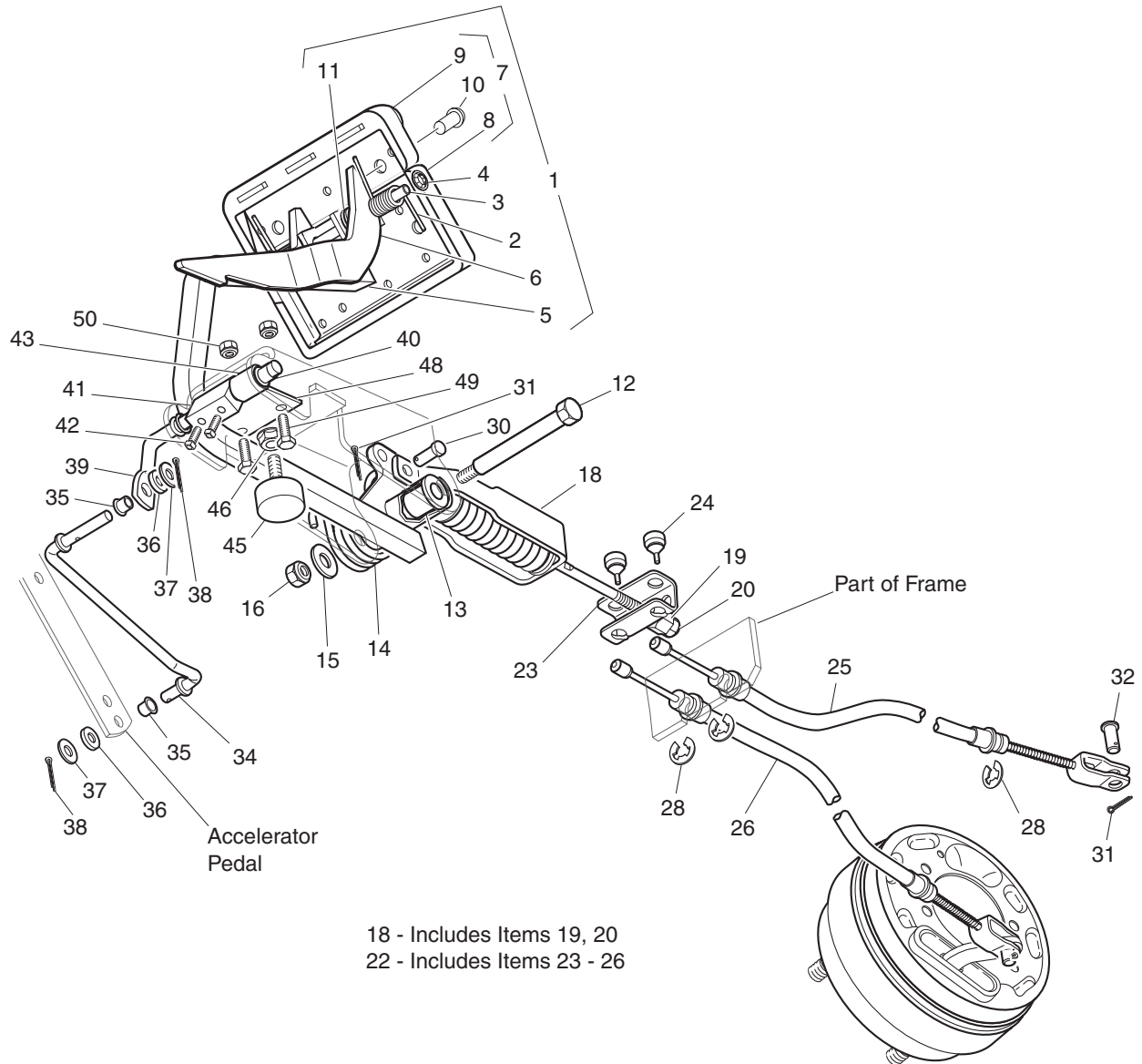
When ordering parts, please specify the model and serial number of the product.

* Indicates a component that is not available as an individual part.

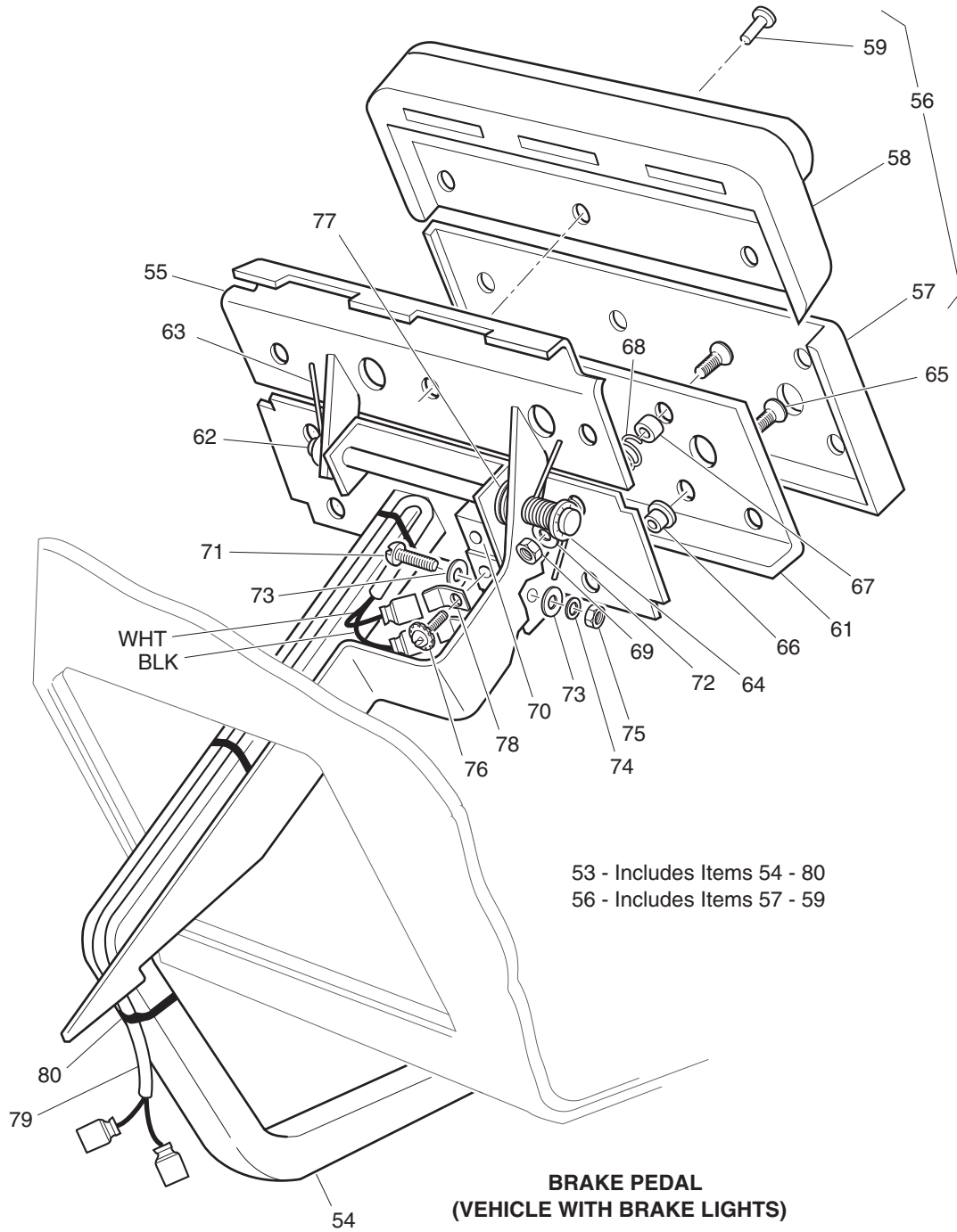
G** Indicates consult Customer Service Department for additional information.

ITEM	PART NO.	1	2	3	4	5	DESCRIPTION	QTY.
89	*						PIN	2
90	*						CUP AND SPRING	2
91	*						ADJUSTER SPRING.....	1
92	72582-G01						BRAKE ADJUSTER KIT (DRIVER SIDE) (INCLUDES ITEMS 94, 95)	1
93	72582-G02						BRAKE ADJUSTER KIT (PASSENGER SIDE) (INCL ITEMS 94, 95).....	1
94	*						ADJUSTER	1
95	*						TEFLON WASHER.....	2
96	17083-G2						BOLT, 5/16 - 24 X 1" LG	8
97	15126-G1						LOCK NUT, 5/16 - 24	8
98	21809-G1						INNER BRAKE DRUM WASHER, 1 5/16" OD X 1" ID X 1/32"	2
99								
100	21807-G1						BRAKE DRUM ASSEMBLY (INCLUDES ITEMS 101 - 102).....	2
101	*						BRAKE DRUM.....	1
102	19862-G1						LUG BOLT, 1/2 - 20.....	4
103								
104								
105	21830-G1						OUTER BRAKE DRUM WASHER	2
106	00518-G8						SLOTTED NUT, 3/4 - 16.....	2
107	10387-G1						COTTER PIN, 1/8" X 1 1/2" LG	2
108	74175-G01						SPINDLE CAP.....	2
109								
110	72036-G03						BRAKE CABLE BRACKET (PASSENGER SIDE).....	1
111	72036-G04						BRAKE CABLE BRACKET (DRIVER SIDE)	1

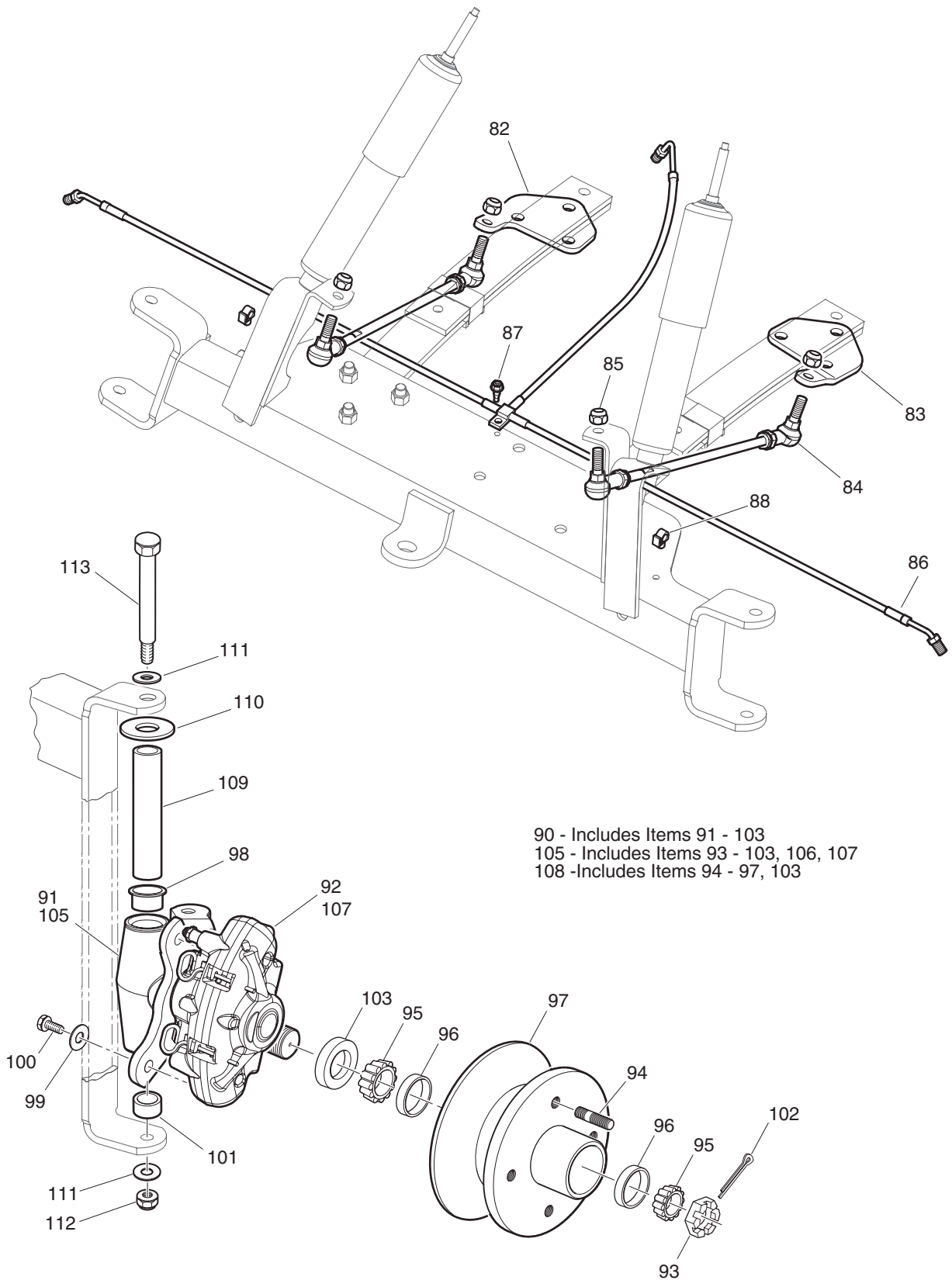
BRAKES - FRONT DISC



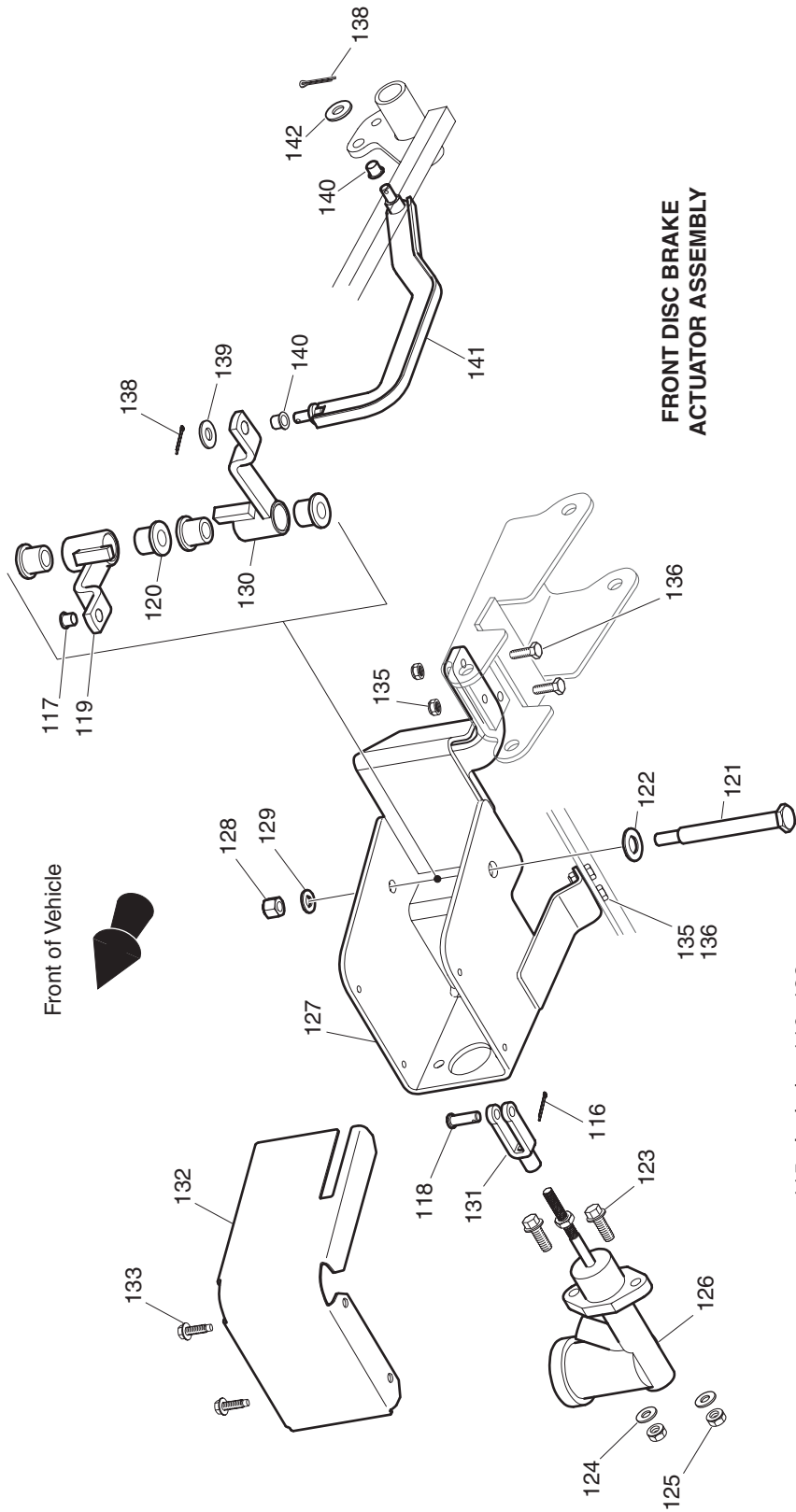
Ref Brh 21-1



BRAKES - FRONT DISC



Ref Brh 21-3



115 - Includes 116 -133

BRAKES - FRONT DISC

THE USE OF NON U.L. PARTS WILL VOID ANY U.L. LISTING.

When ordering parts, please specify the model and serial number of the product.

* Indicates a component that is not available as an individual part.

G** Indicates consult Customer Service Department for additional information.

ITEM	PART NO.	1 2 3 4 5	DESCRIPTION	QTY.
1	74723-G01		BRAKE PEDAL ASSEMBLY (WITHOUT BRAKE LIGHTS) (INCLUDES ITEMS 2 - 11)	1
2	70681-G01		TORSION SPRING	2
3	70682-G01		PIVOT PIN	1
4	01071-G01		PUSHNUT, 5/16"	1
5	*		BRAKE PEDAL	1
6	74724-G01		PARK BRAKE PEDAL	1
7	70274-G01		BRAKE/PARK BRAKE PEDAL PAD KIT (INCLUDES ITEMS 8 - 10)	1
8	*		SERVICE BRAKE PAD	1
9	*		PARK BRAKE PEDAL PAD	1
10	16409-G1		OVAL RIVET, 3/16" X 15/32" LG	9
11	20835-G1		WASHER, TEFLON, 3/8"	2
12	70582-G01		SHOULDER BOLT, 3/8 - 16 X 4" LG	1
13	70581-G01		FLANGED BUSHING	2
14	70676-G01		TORSION SPRING	1
15	00643-G1		WASHER, 3/8"	1
16	11098-G5		LOCK NUT, 3/8 - 16	1
17				
18	70272-G04		COMPENSATOR ASSEMBLY (INCLUDES ITEMS 19, 20)	1
19	00963-G01		SPHERICAL NUT, 5/16 - 24	1
20	11098-G9		LOCK NUT, 5/16 - 24	1
21				
22	70969-G05		EQUALIZER AND BRAKE CABLE ASSEMBLY (INCLUDES ITEMS 23 - 26)....	1
23	28082-G01		EQUALIZER BRACKET	1
24	28083-G01		BRAKE COMPENSATOR BUMPER.....	2
25	*		BRAKE CABLE (DRIVER SIDE).....	1
26	*		BRAKE CABLE (PASSENGER SIDE)	1
27				
28	01111-G01		RETAINING RING, S.S.....	4
29				

BRAKES - FRONT DISC

THE USE OF NON U.L. PARTS WILL VOID ANY U.L. LISTING.

When ordering parts, please specify the model and serial number of the product.

* Indicates a component that is not available as an individual part.

G** Indicates consult Customer Service Department for additional information.

ITEM	PART NO.	1 2 3 4 5	DESCRIPTION	QTY.
30	10386-G3		CLEVIS PIN, 5/16" X 1" LG	3
31	10387-G3		COTTER PIN, 3/32" X 3/4" LG	3
32	14443-G2		CLEVIS PIN, 5/16" X 3/4" LG	2
33				
34	70601-G01		KICK-OFF LINK.....	1
35	17838-G1		NYLON BUSHING.....	2
36	20835-G1		TEFLON WASHER, 3/8"	2
37	00559-G8		WASHER, 5/16"	2
38	10387-G3		COTTER PIN, 3/32" X 3/4" LG	2
39	70098-G01		KICK-OFF CAM PIVOT	1
40	10097-G6		FLANGED BEARING	2
41	70587-G01		KICK-OFF CAM.....	1
42	71215-G01		SETSCREW, 1/4 - 20 X 1/2" LG.....	2
43	14134-G4		SPACER.....	1
44				
45	70113-G01		ADJUSTABLE BUMPER	1
46	11027-G1		LOCK NUT, 5/16 - 18	1
47				
48	70080-G01		CATCH BRACKET	1
49	00414-G6		BOLT, 1/4 - 20 X 3/4" LG	2
50	00891-G2		LOCK NUT, 1/4 - 20	2
51				
52				
53	74874-G01		BRAKE PEDAL ASSEMBLY (WITH BRAKE LIGHTS) (INCLUDES ITEMS 54 - 80).....	1
54	*		BRAKE PEDAL.....	1
55	74724-G01		PARK BRAKE PEDAL	1
56	70274-G01		BRAKE/PARK BRAKE PEDAL PAD KIT (INCLUDES ITEMS 57 - 59).....	1
57	*		SERVICE BRAKE PAD	1
58	*		PARK BRAKE PAD.....	1

BRAKES - FRONT DISC

THE USE OF NON U.L. PARTS WILL VOID ANY U.L. LISTING.

When ordering parts, please specify the model and serial number of the product.

* Indicates a component that is not available as an individual part.

G** Indicates consult Customer Service Department for additional information.

ITEM	PART NO.	1	2	3	4	5	DESCRIPTION	QTY.
59	16409-G1						OVAL RIVET, 3/16" X 15/32" LG	9
60								
61	70258-G02						BRAKE PEDAL PLATE	1
62	70682-G01						PIVOT PIN	1
63	70681-G01						TORSION SPRING	2
64	01071-G01						PUSHNUT, 5/16"	1
65	00737-G8						SCREW, #10 - 24 X 1" LG	4
66	00739-G1						RUBBER NUT, #10 - 24.....	2
67	22362-G3						BRAKE PEDAL STANDOFF	2
68	27137-G01						CONICAL SPRING	2
69	11098-G7						LOCK NUT, #10 - 24.....	2
70	10606-G8						MICRO SWITCH.....	1
71	00957-G1						SCREW, #6 - 32 X 1 1/4" LG	2
72	00559-G5						WASHER, #10	2
73	00559-G3						WASHER, #6	4
74	00565-G3						LOCK WASHER, #6	2
75	00525-G5						NUT, #6 - 32.....	2
76	13514-G1						SCREW AND LOCK WASHER, #6.....	2
77	20835-G1						WASHER, TEFLON, 3/8"	2
78	14628-G1						FASTON TAB.....	2
79	24605-G1						WIRE HARNESS (BRAKE LIGHT)	1
80	17618-G1						WIRE TIE	3
81								
82	74731-G02						SPRING PLATE (PASSENGER SIDE)	1
83	74731-G01						SPRING PLATE (DRIVER SIDE).....	1
84	74730-G01						FOUR LINK ROD.....	2
85	01084-G01						LOCK NUT, M10-1.25	4
86	74736-G01						BRAKE LINE.....	1
87	01038-G01						SCREW, 1/4 - 20 X 4444" LG	1
88	74875-G01						WIRE RETAINER.....	2

BRAKES - FRONT DISC

THE USE OF NON U.L. PARTS WILL VOID ANY U.L. LISTING.

When ordering parts, please specify the model and serial number of the product.

* Indicates a component that is not available as an individual part.

G** Indicates consult Customer Service Department for additional information.

ITEM	PART NO.	1 2 3 4 5	DESCRIPTION	QTY.
89				
90	74677-G01		SPINDLE, CALIPER AND DISC HUB ASSEMBLY (DRIVER SIDE) (INCLUDES ITEMS 91 - 103).....	1
91	74672-G01		DISC BRAKE SPINDLE (DRIVER SIDE)	1
92	74733-G02		CALIPER (DRIVER SIDE)	1
93	12093-G1		SLOTTED NUT	1
94	74864-G01		DRIVE FLANGE STUD.....	4
95	11750-G2		ROLLER BEARING	2
96	51141-G1		BEARING RACE.....	2
97	74673-G01		DISC BRAKE HUB.....	1
98	70648-G01		FLANGED BEARING.....	1
99	00565-G8		WASHER, 3/8"	2
100	00426-G8		BOLT, 3/8 - 16 X 1.....	2
101	70749-G01		BEARING.....	1
102	00798-G8		COTTER PIN	1
103	25146-G1		GREASE SEAL.....	1
104				
105	74676-G01		SPINDLE, CALIPER AND DISC HUB ASSEMBLY (PASSENGER SIDE) (INCLUDES ITEMS 93 - 103, 106, 107).....	1
106	74671-G01		DISC BRAKE SPINDLE (PASSENGER SIDE).....	1
107	74733-G01		CALIPER (PASSENGER SIDE).....	1
108	74948-G01		DISC BRAKE SERVICE HUB (INCLUDES ITEMS 94 - 97, 103).....	1
109	70745-G01		KINGPIN TUBE	2
110	70754-G01		THRUST WASHER	2
111	00560-G3		WASHER, 1/2"	4
112	14390-G6		LOCKNUT, 1/2 - 13	2
113	00407-G6		CAPSCREW, 1/2 - 13 X 6" LG	2
114				
115	74702-G01		FRONT DISC BRAKE BRAKE ACTUATOR ASSEMBLY (INCLUDES ITEMS 116 - 133).....	1
116	10387-G3		COTTER PIN, 3/32 X 3/4" LG.....	1

BRAKES - FRONT DISC

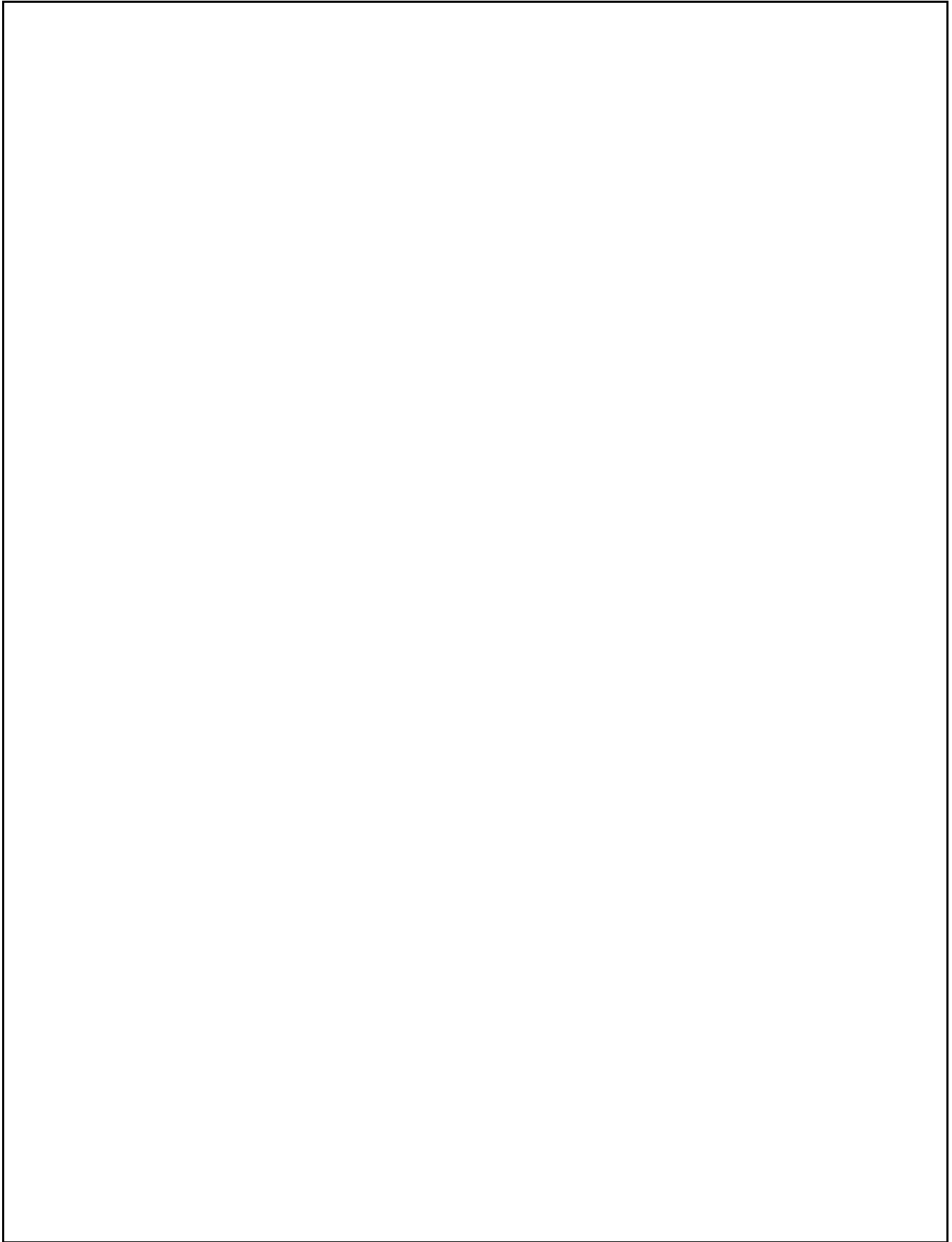
THE USE OF NON U.L. PARTS WILL VOID ANY U.L. LISTING.

When ordering parts, please specify the model and serial number of the product.

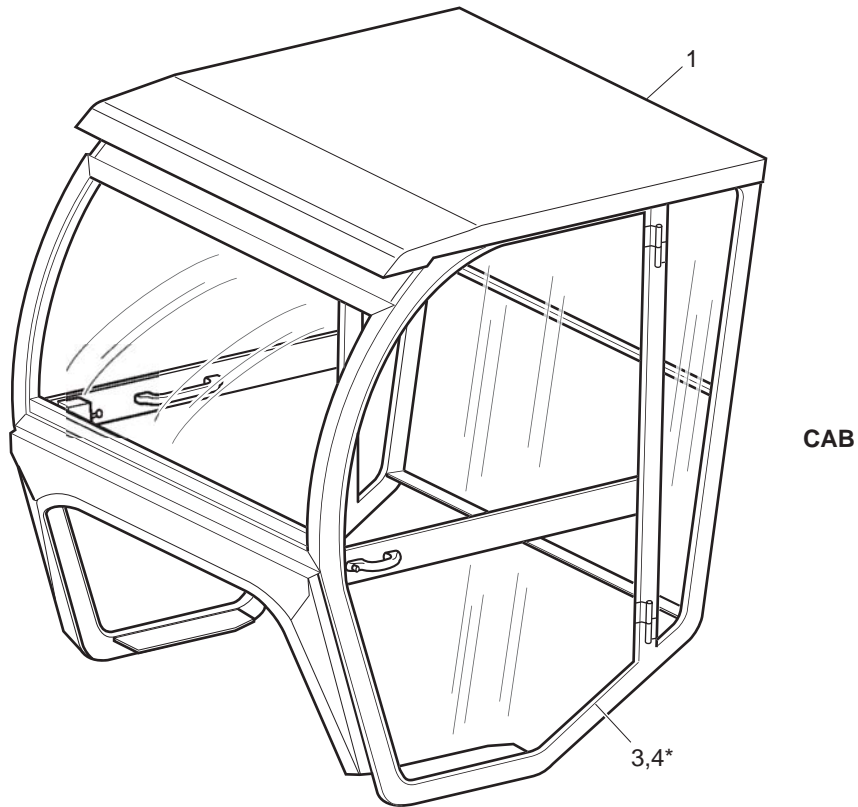
* Indicates a component that is not available as an individual part.

G** Indicates consult Customer Service Department for additional information.

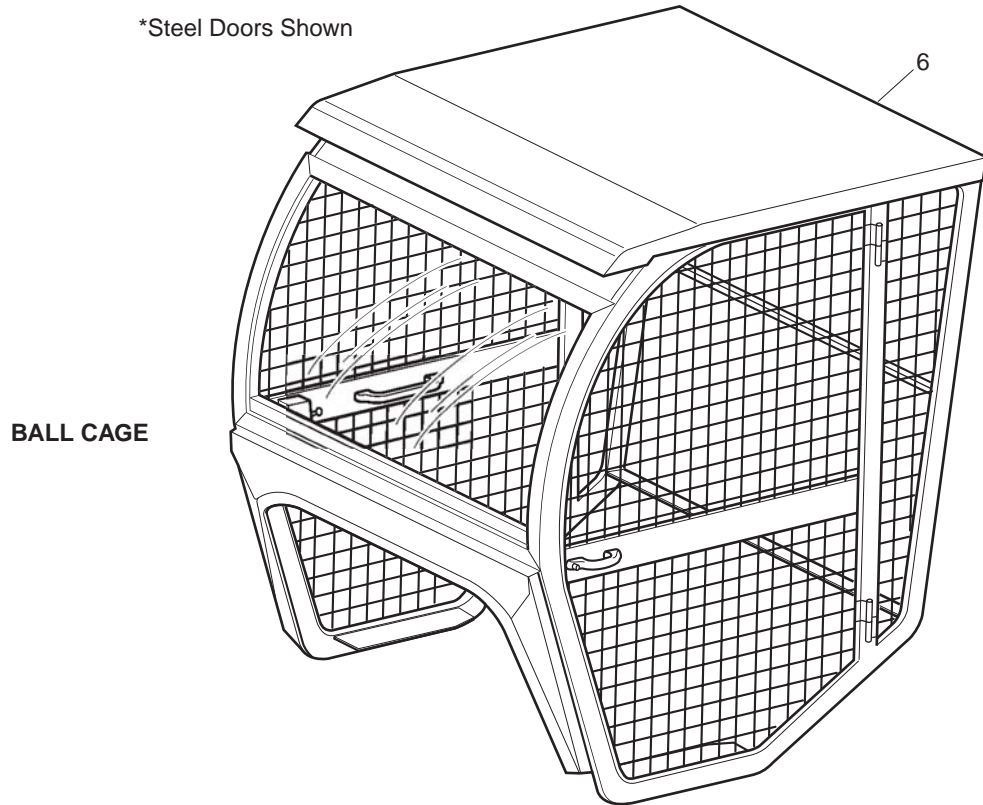
ITEM	PART NO.	1	2	3	4	5	DESCRIPTION	QTY.
117	17838-G1						NYLON BUSHING	1
118	10386-G3						CLEVIS PIN, 5/16 X 1" LG.....	1
119	74753-G01						UPPER ACTUATOR PIVOT	1
120	70581-G02						ACETAL BUSHING	4
121	74711-G01						SHOULDER BOLT	1
122	00560-G3						WASHER, 1/2"	1
123	13437-G3						BOLT, 1/2 - 13 X 6" LG.....	2
124	00679-G2						WASHER, 5/16" STAINLESS	2
125	00654-G3						LOCKNUT, 5/16 - 18.....	2
126	74742-G01						MASTER CYLINDER.....	1
127	74703-G01						BRAKE ACTUATOR ASSEMBLY HOUSING	1
128	11098-G5						LOCKNUT, 3/8 - 16.....	1
129	00679-G1						WASHER, 3/8" STAINLESS	1
130	74707-G01						LOWER ACTUATOR PIVOT.....	1
131	10385-G4						CLEVIS YOKE	1
132	74873-G01						BRAKE ACTUATOR ASSEMBLY COVER	1
133	01038-G01						SCREW, 1/4 -20 SWAGEFORM.....	4
134								
135	00414-G8						BOLT, 1/4 - 20 X 1 1/4" LG	4
136	00891-G2						LOCKNUT, 1/4 - 20	4
137								
138	10387-G3						COTTER PIN, 3/32 X 3/4	2
139	20835-G1						WASHER, NYLON	1
140	17838-G1						NYLON BUSHING.....	2
141	74865-G01						ACTUATOR LINKAGE	1
142	00771-G5						WASHER, 3/8"	1
143	74917-G01						DISC BRAKE PAD AND PIN KIT (SERVICES ONE CORNER) (INCLUDES ITEMS 144 - 145).....	1
144	*						BRAKE PADS	2
145	*						BRAKE PAD RETAINER PINS	2



CAB



*Steel Doors Shown



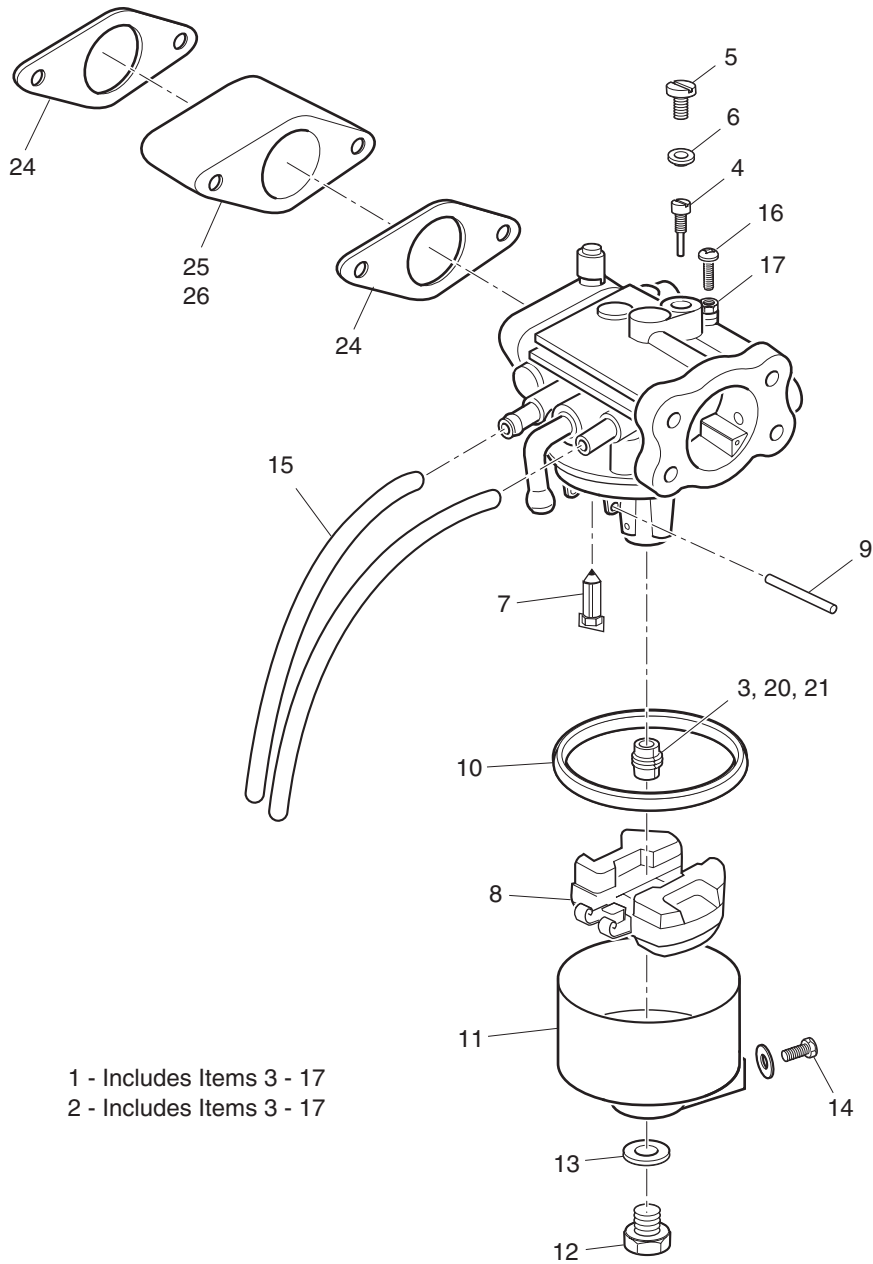
Ref Cab 6-1

For Cab Accessories, See ACCESSORIES LISTING in Appendix B

THE USE OF NON U.L. PARTS WILL VOID ANY U.L. LISTING.
 When ordering parts, please specify the model and serial number of the product.
 * Indicates a component that is not available as an individual part.
 G** Indicates consult Customer Service Department for additional information.

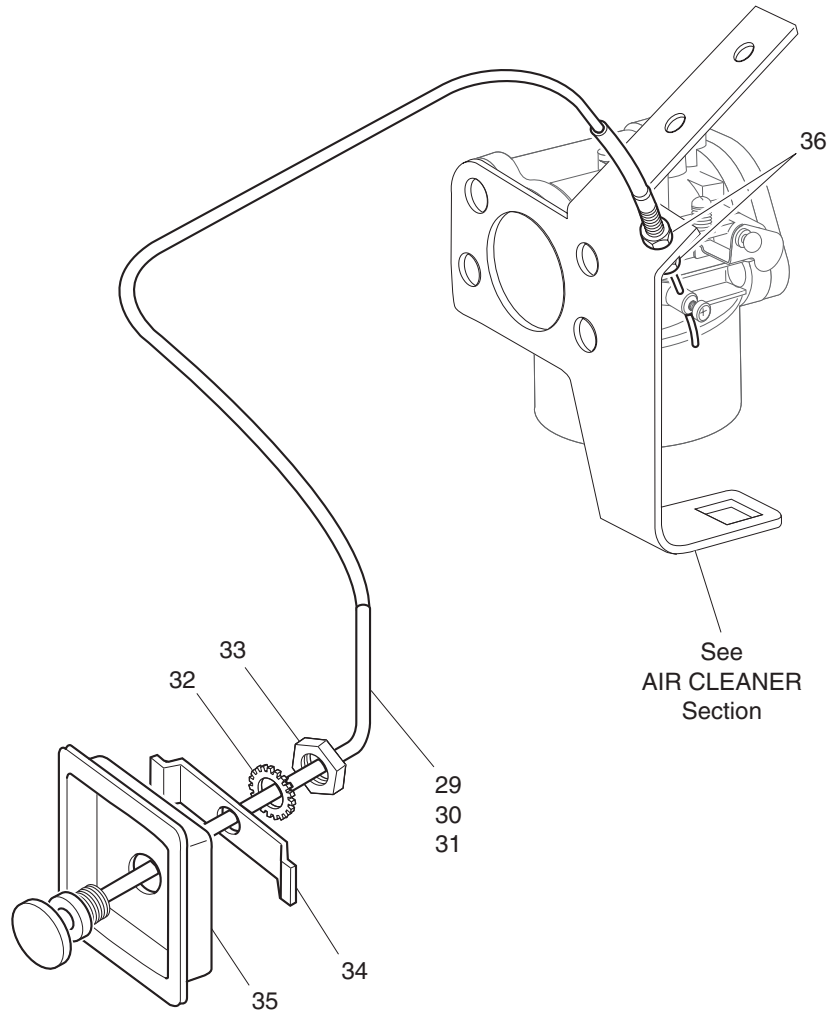
ITEM	PART NO.	1 2 3 4 5	DESCRIPTION	QTY.
1	72684-G**		STEEL CAB (WITHOUT DOORS) REPAACEMENT PARTS AND ACCESSORIES MAY BE OBTAINED FROM CURTIS CAB, INC.	1
2				
3	75855-G01		VINYL DOOR KIT.....	1
4	75856-G**		STEEL DOOR KIT.....	1
5				
6	72685-G01		BALL CAGE	1
<p>For Cab replacement parts and accessories, contact Curtis Cab at: Curtis Cab, Inc. 111 Higgins Street, Worcester, Massachusetts, 01606. Tel.: 508-853-2200. Toll free: 800-343-7676. www.curtiscab.com</p>				

CARBURETOR AND CHOKE



Ref Cac 2-1

CARBURETOR AND CHOKE



CARBURETOR AND CHOKE

Where applicable, THE USE OF NON UL PARTS WILL VOID ANY UL LISTING.

When ordering parts, please specify the model and serial number of the product.

* Indicates a component that is not available as an individual part.

G** Indicates consult Customer Service Department for additional information.

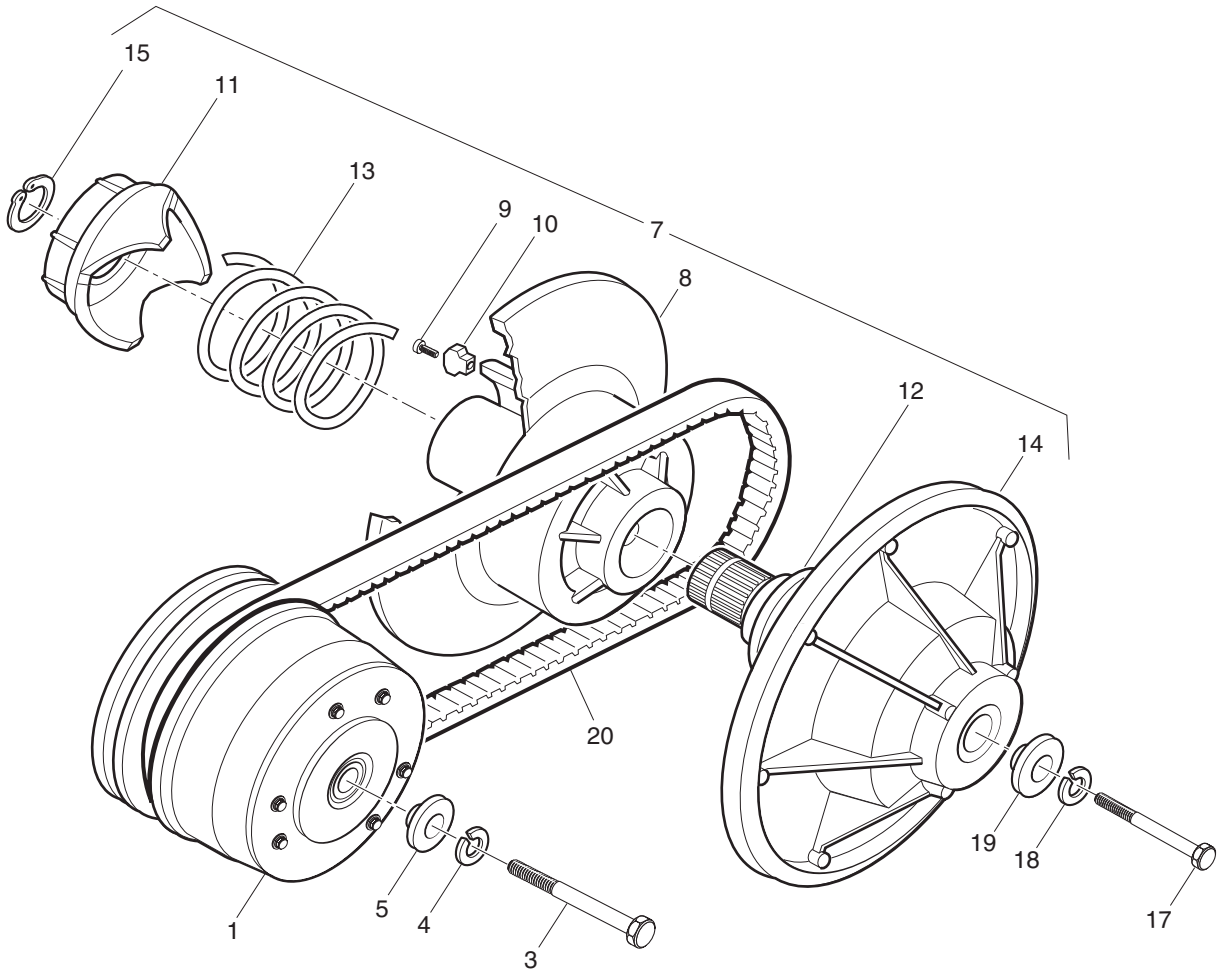
ITEM	PART NO.	1 2 3 4 5	DESCRIPTION	QTY.
1	72840-G01		CARBURETOR (FOR VEHICLES ORIGINALLY EQUIPPED WITH 295cc (EH29C)) (INCLUDES ITEMS 3 - 17).....	1
2	72840-G02		CARBURETOR (FOR VEHICLES ORIGINALLY EQUIPPED WITH 350cc (EH35C)) (INCLUDES ITEMS 3 - 17).....	1
3	26646-G08		MAIN JET (#86)	1
4	26649-G05		PILOT JET (#46).....	1
5	26841-G01		PLUG	1
6	72306-G01		GASKET	1
7	72578-G01		NEEDLE VALVE	1
8	26648-G01		FLOAT.....	1
9	26840-G01		FLOAT PIN.....	1
10	26843-G01		FLOAT BOWL GASKET	1
11	26844-G01		FLOAT CHAMBER.....	1
12	26839-G01		BOWL SCREW	1
13	26838-G01		BOWL GASKET	1
14	72579-G01		DRAIN SCREW	1
15	26650-G01		VENT TUBE.....	2
16	72317-G01		SCREW.....	1
17	72310-G01		NUT.....	1
18				
19				
20	26646-G**		MAIN JET (***) (FOR ELEVATIONS OF 3000 FT - 6000 FT).....	1
21	26646-G**		MAIN JET (***) (FOR ELEVATIONS OF 6000 FT - 10000 FT).....	1
22				
23				
24	26726-G01		CARBURETOR MOUNT GASKET.....	2
25	72883-G01		CARBURETOR INSULATOR (FOR FUJI ENGINE EH29C)	1
26	72854-G01		CARBURETOR INSULATOR (FOR FUJI ENGINE EH35C)	1
27				
28				
29	25693-G04		CHOKE CABLE (22 1/4" LG WITH NUTS)	1

CARBURETOR AND CHOKE

Where applicable, THE USE OF NON UL PARTS WILL VOID ANY UL LISTING.
 When ordering parts, please specify the model and serial number of the product.
 * Indicates a component that is not available as an individual part.
 G** Indicates consult Customer Service Department for additional information.

ITEM	PART NO.	1 2 3 4 5	DESCRIPTION	QTY.
30	72401-G01		CHOKE CABLE (60 1/4" LG WITH NUTS)	1
31	72401-G02		CHOKE CABLE (31 1/2" LG WITH NUTS)	1
32	00568-G4		LOCK WASHER, 9/16"	1
33	00545-G4		JAM NUT, 9/16 - 18	1
34	72155-G01		RETAINER	1
35	72154-G01		CHOKE CABLE ADAPTER	1
36	00544-G4		JAM NUT, 5/16 - 24	2

CLUTCH



Ref Clt 21-1

CLUTCH

THE USE OF NON U.L. PARTS WILL VOID ANY U.L. LISTING.

When ordering parts, please specify the model and serial number of the product.

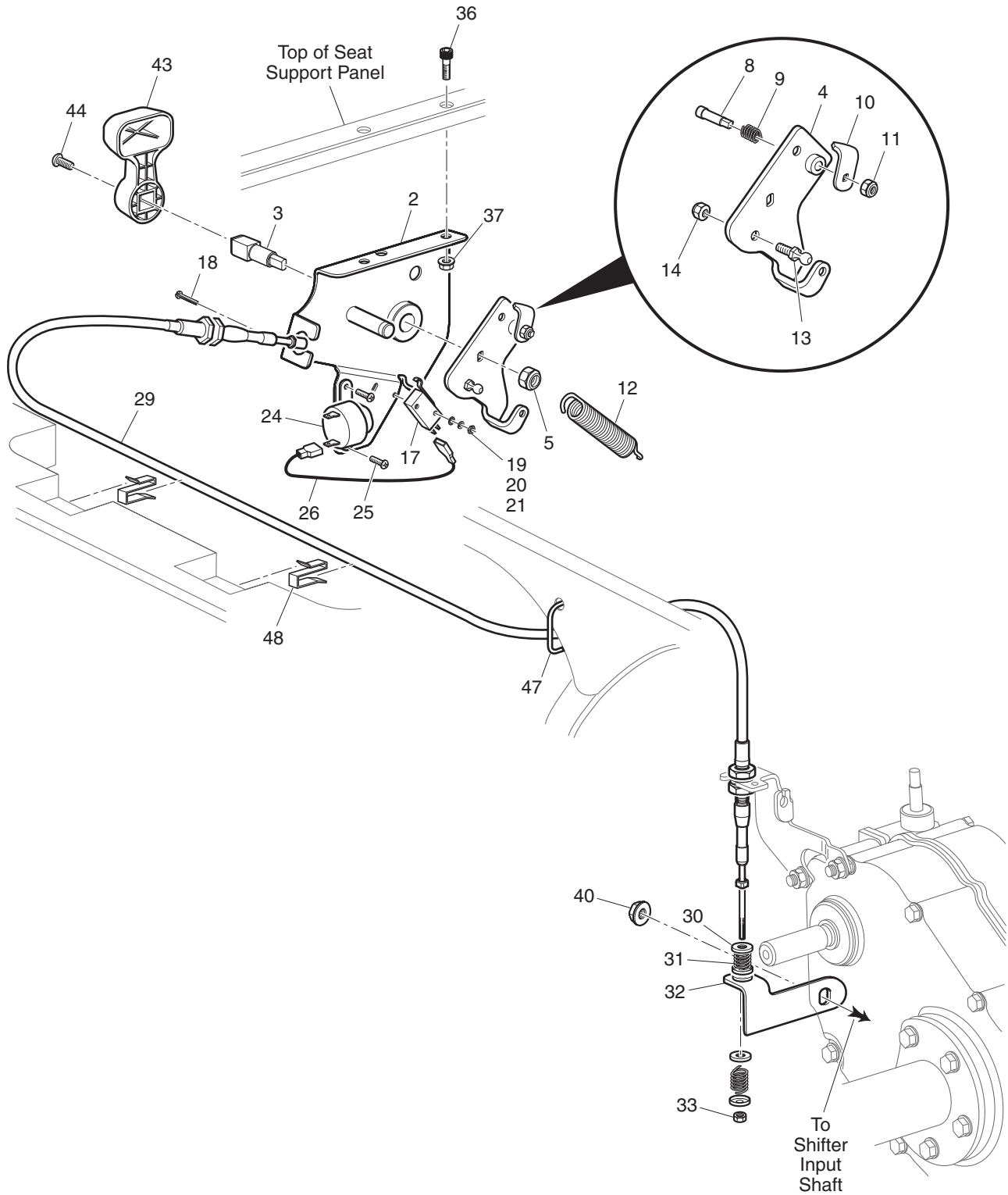
* Indicates a component that is not available as an individual part.

G** Indicates consult Customer Service Department for additional information.

ITEM	PART NO.	1 2 3 4 5	DESCRIPTION	QTY.
1	74626-G01		DRIVE CLUTCH	1
2				
3	00473-G9		BOLT, 7/16 - 20 X 6 1/2" LG	1
4	00566-G2		LOCK WASHER, 7/16"	1
5	25757-G1		PILOT WASHER	1
6				
7	26301-G03		DRIVEN CLUTCH ASSEMBLY (INCLUDES ITEMS 8 - 15)	1
8	*		MOVABLE SHEAVE (INCLUDES ITEMS 9 -10).....	1
9	00979-G01		SCREW, #10 - 24 X 7/8" LG.....	3
10	72324-G01		RAMP BUTTON	3
11	*		CAM.....	1
12	24600-G1		SPACER	1
13	26304-G01		COMPRESSION SPRING	1
14	*		SHEAVE AND POST	1
15	27270-G01		HEAVY DUTY RETAINING RING	1
16				
17	00441-G8		BOLT, 5/16 - 18 X 4" LG	1
18	00565-G8		LOCK WASHER, 5/16"	4
19	25756-G1		RETAINING WASHER	1
20	72328-G01		DRIVE BELT (SEVERE DUTY)	1

DIRECTION SELECTOR

1 - Includes Items 2 - 33



Ref Dsl 21-1

DIRECTION SELECTOR

THE USE OF NON U.L. PARTS WILL VOID ANY U.L. LISTING.

When ordering parts, please specify the model and serial number of the product.

* Indicates a component that is not available as an individual part.

G** Indicates consult Customer Service Department for additional information.

ITEM	PART NO.	1	2	3	4	5	DESCRIPTION	QTY.
1	72721-G06	DIRECTION SELECTOR ASSEMBLY E-COAT (INCLUDES ITEMS 2 - 33)					1	
2	72737-G02	DIRECTION SELECTOR BRACKET					1	
3	70233-G01	DIRECTION SELECTOR SHAFT					1	
4	72738-G01	DIRECTION SELECTOR CAM					1	
5	14390-G1	LOCK NUT, 3/8 - 24					1	
6								
7								
8	72724-G01	NEUTRAL LOCK PIN					1	
9	72733-G01	COMPRESSION SPRING, 3/8" X 5/8" LG					1	
10	72729-G01	NEUTRAL LOCK LATCH					1	
11	00734-G2	LOCK NUT, 1/4 - 28					1	
12	28574-G01	EXTENSION SPRING					1	
13	72732-G01	BALL STUD					1	
14	00734-G5	LOCK NUT, #10 - 32					1	
15								
16								
17	72736-G01	MICRO SWITCH					1	
18	01062-G01	SCREW, #4 - 40 X 1" LG					2	
19	00559-G1	WASHER, #4					2	
20	00565-G1	LOCK WASHER, #4					2	
21	00526-G2	NUT, #4 - 40					2	
22								
23								
24	73290-G03	REVERSE WARNING BUZZER					1	
25	01063-G01	SCREW, #6 - 32 X 3/8" LG					2	
26	25978-G345	18 GA WIRE (RED 7")					1	
27								
28								
29	72734-G03	SHIFTER CABLE					1	
30	25727-G01	CUP WASHER					4	

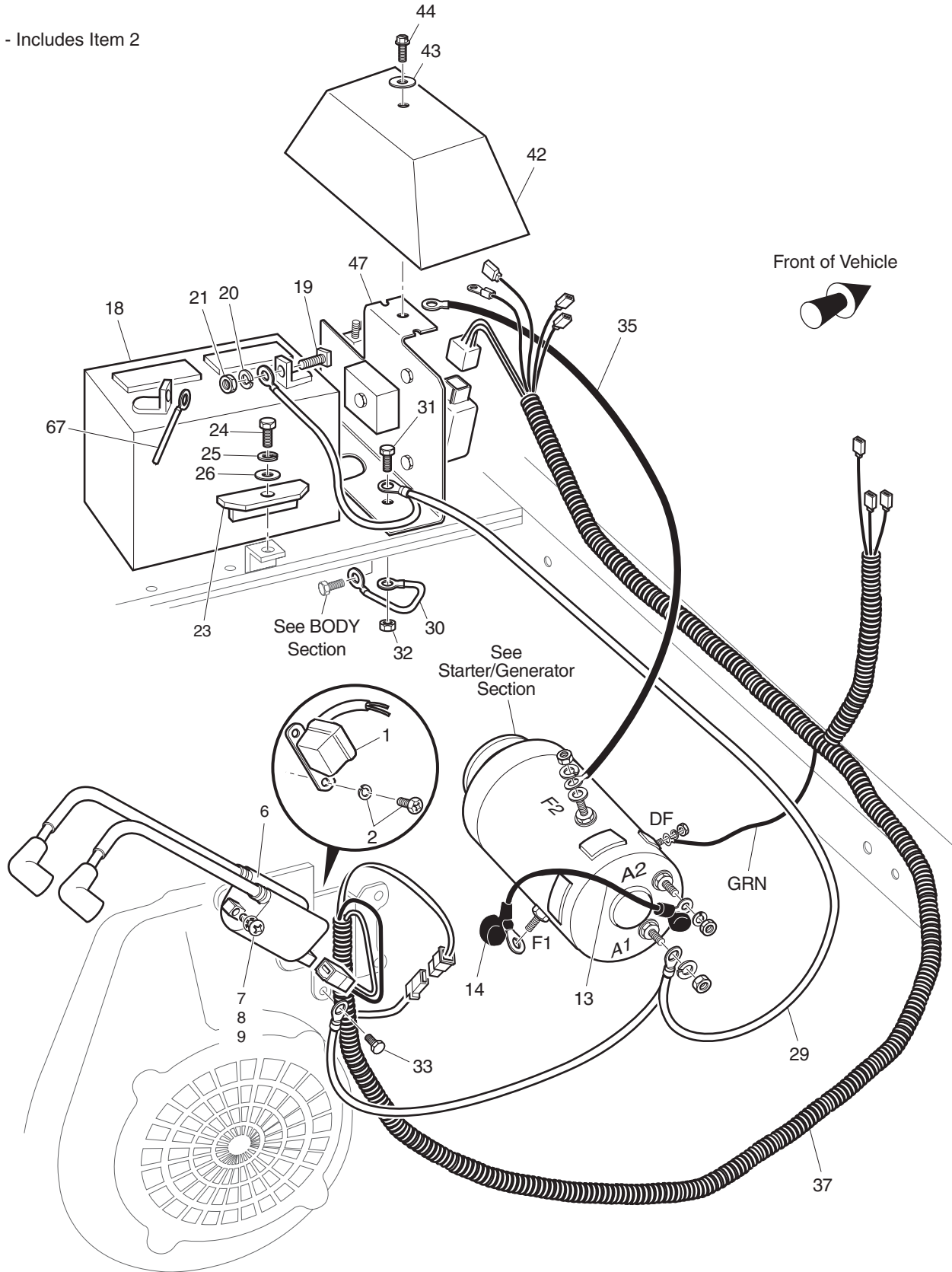
DIRECTION SELECTOR

THE USE OF NON U.L. PARTS WILL VOID ANY U.L. LISTING.
 When ordering parts, please specify the model and serial number of the product.
 * Indicates a component that is not available as an individual part.
 G** Indicates consult Customer Service Department for additional information.

ITEM	PART NO.	1 2 3 4 5	DESCRIPTION	QTY.
31	72735-G01		COMPRESSION SPRING, 19/32" X 1" LG	2
32	72730-G01		SHIFTER ARM.....	1
33	00734-G5		LOCK NUT, #10 - 32.....	1
34				
35				
36	70227-G01		SCREW, 1/4 - 20 X 7/8" LG.....	2
37	11027-G2		LOCK NUT, 1/4 - 20	2
38				
39				
40	26830-G01		LOCK NUT, M8 X 1.25 MM	1
41				
42				
43	71205-G01		DIRECTION SELECTOR HANDLE.....	1
44	00740-G4		SCREW, #10 - 32 X 1/2" LG (STAINLESS STEEL)	1
45				
46				
47	31539-G1		WIRE TIE	1
48	01072-G01		CABLE CLIP.....	2
49	11845-G5		CLIP, 3/8".....	1
50	00414-G6		BOLT, 1/4 - 20 X 3/4" LG	1
51	14390-G4		LOCK NUT, 1/4 - 20	1

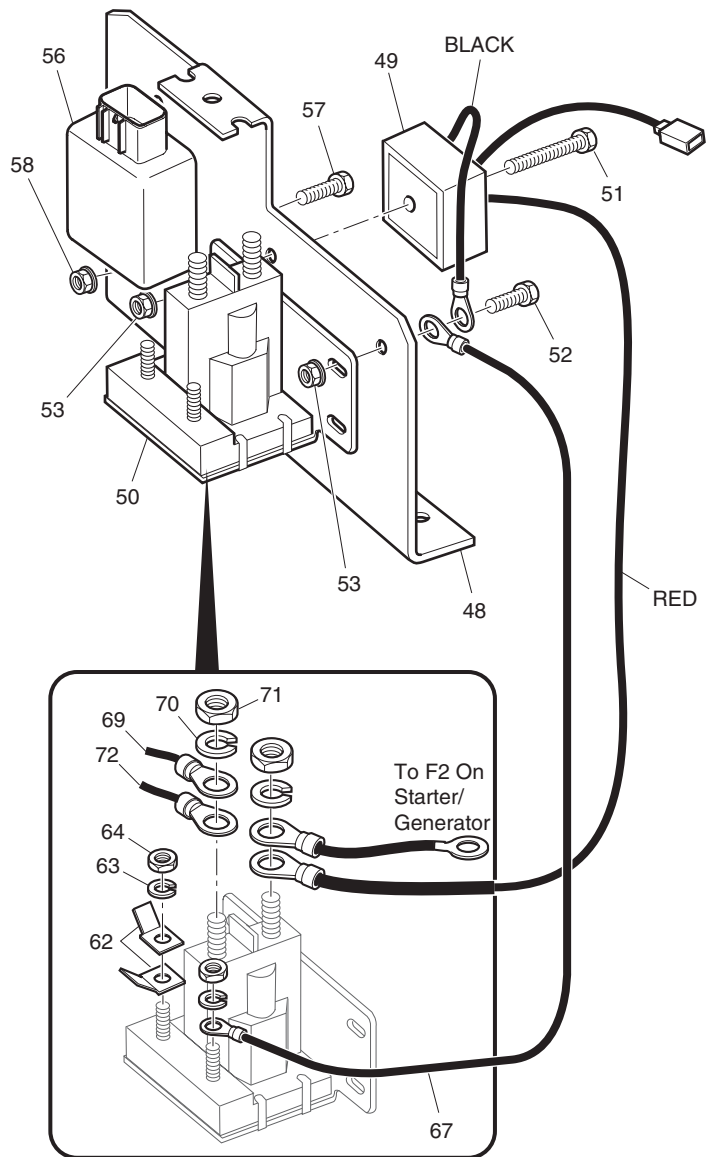
ELECTRICAL

1 - Includes Item 2

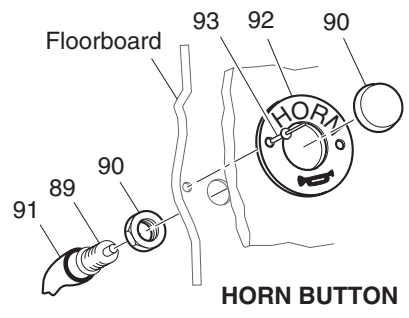
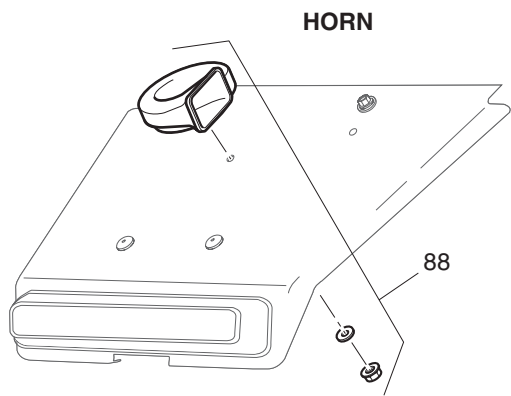
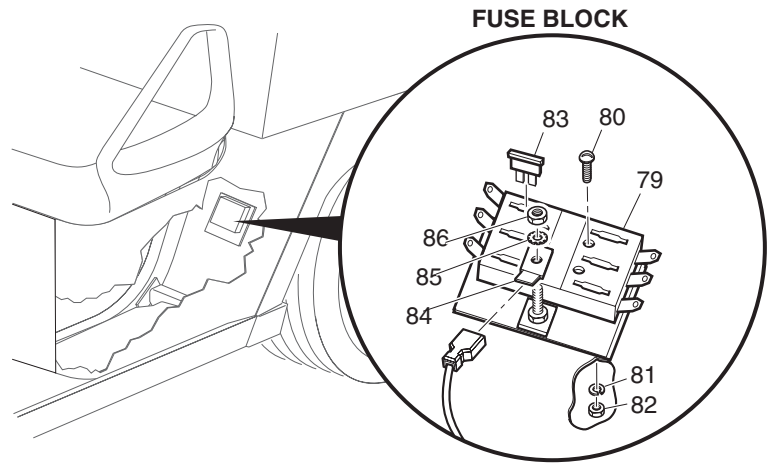


Ref Ele 2-1

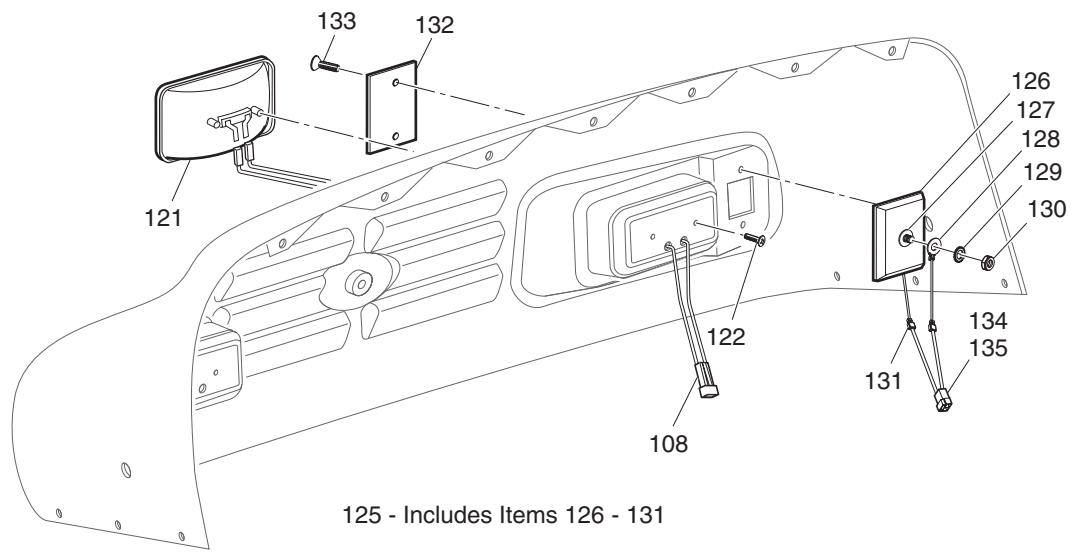
47 - Includes Items 48 - 72



ELECTRICAL

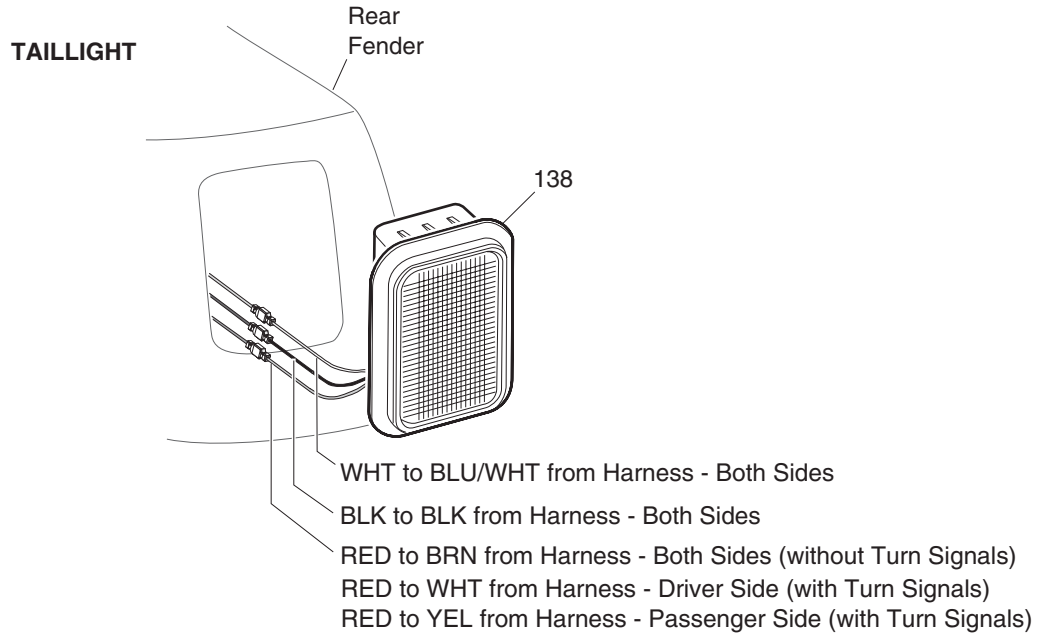


Ref Ele 21-3

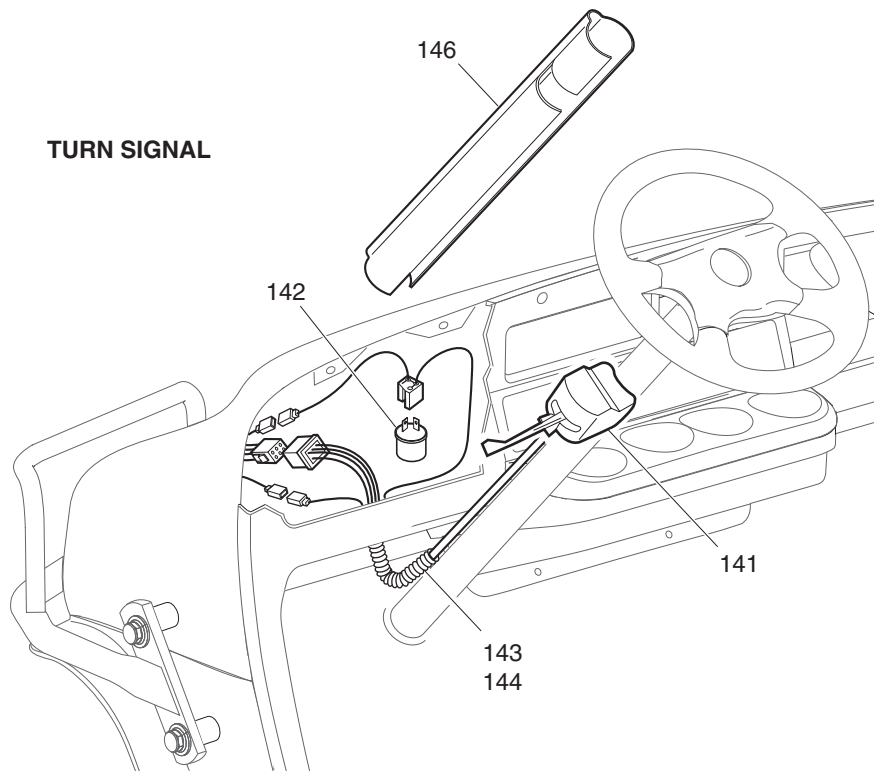


Ref Ele 21-4

ELECTRICAL

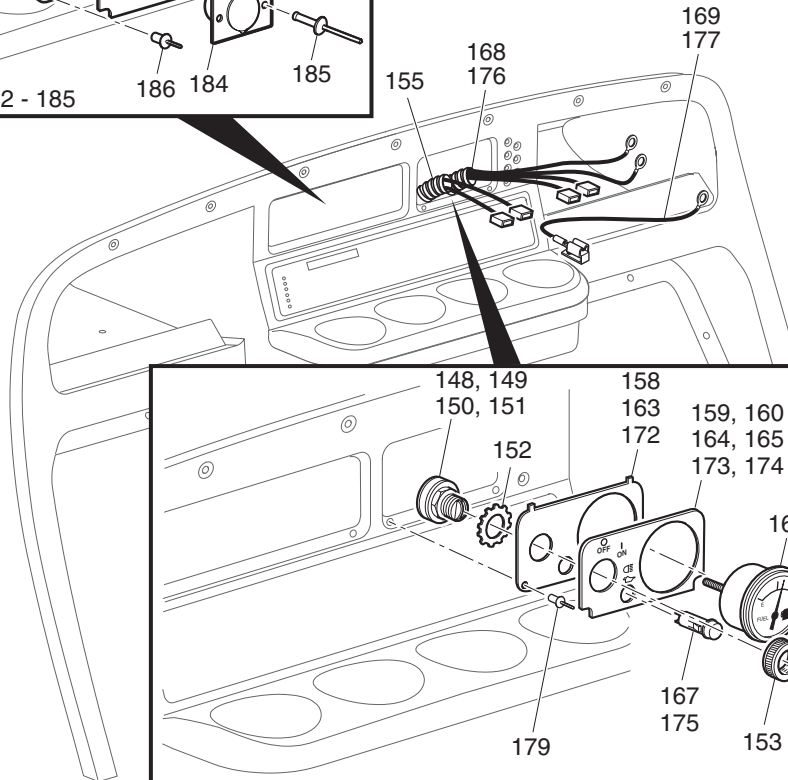
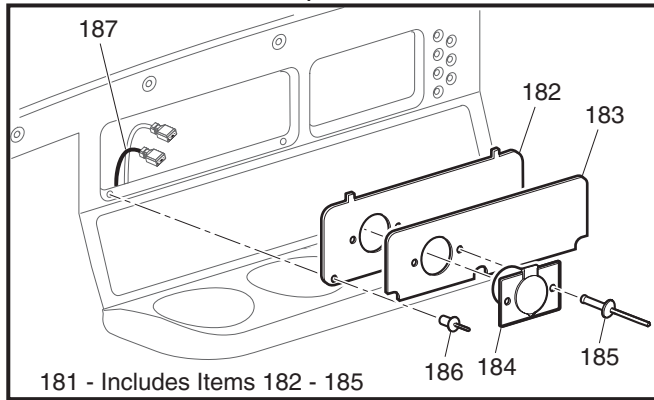


TURN SIGNAL



Ref Ele 6-5

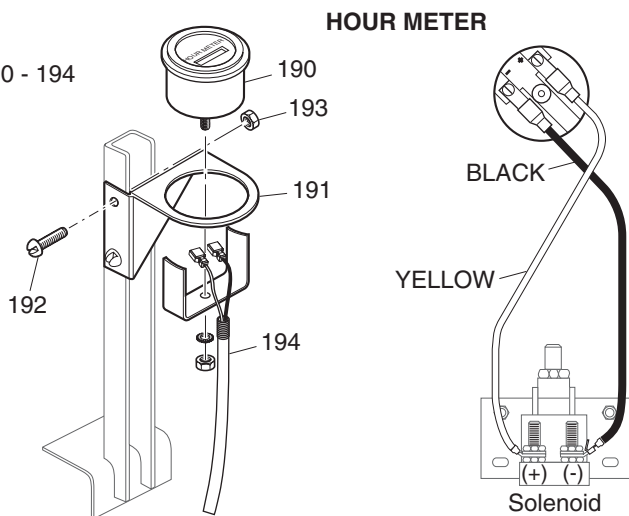
CONSOLE INSERT PLATE (WITH POWER OUTLET SHOWN)



KEY SWITCH, INDICATOR LIGHT(S), AND FUEL GAUGE

189 - Includes Items 190 - 194

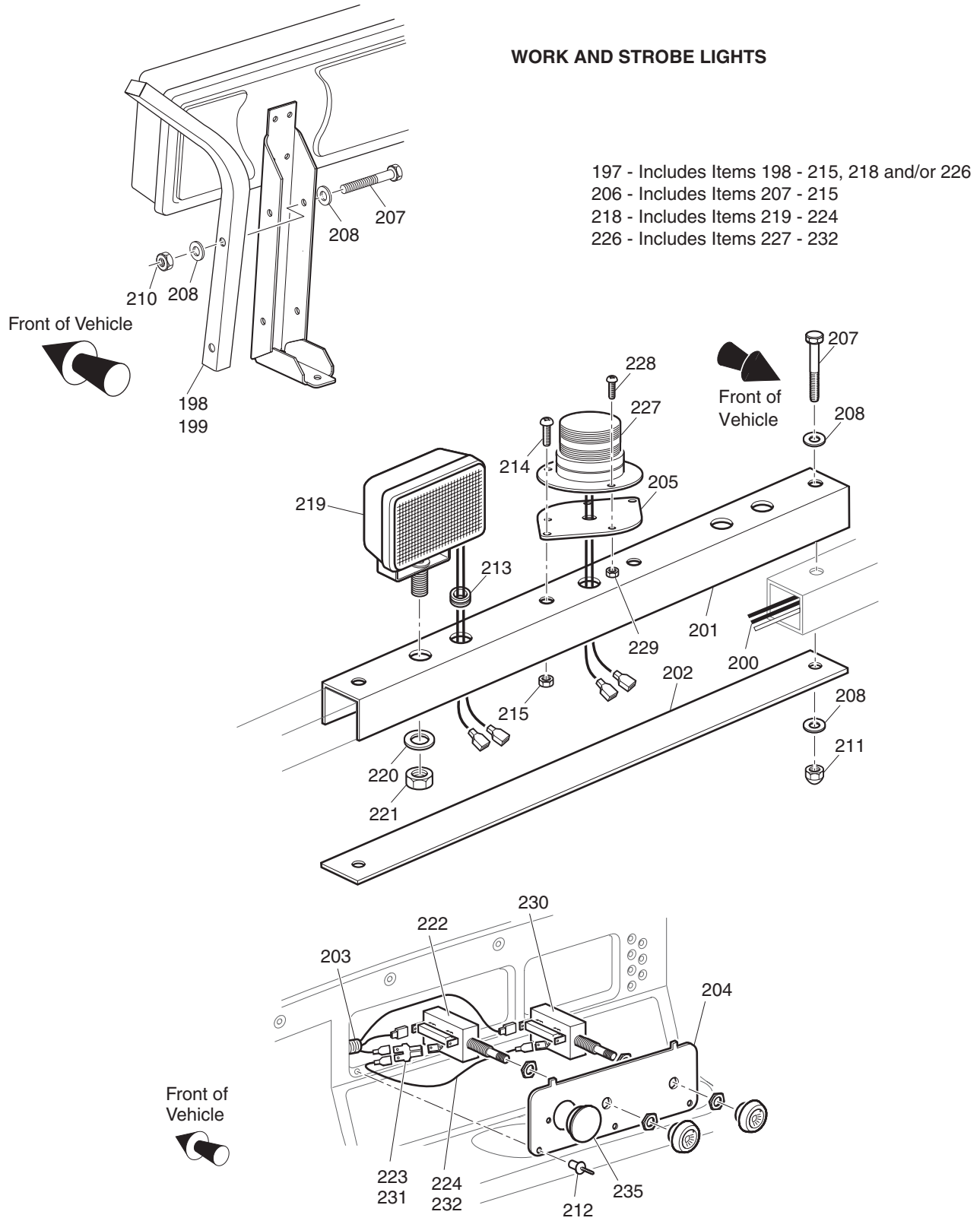
Front of Vehicle



Ref Ele 6-6

ELECTRICAL

WORK AND STROBE LIGHTS



Ref Ele 23-7

ELECTRICAL

Where applicable, THE USE OF NON UL PARTS WILL VOID ANY UL LISTING.

When ordering parts, please specify the model and serial number of the product.

* Indicates a component that is not available as an individual part.

G** Indicates consult Customer Service Department for additional information.

ITEM	PART NO.	1 2 3 4 5	DESCRIPTION	QTY.
1	72865-G01		IGNITION PICKUP ASSEMBLY (INCLUDES ITEM 2).....	1
2	26707-G01		BOLT AND WASHER ASSEMBLY, M5 X 0.8 X 10 MM LG	2
3				
4				
5				
6	72866-G01		IGNITION COIL ASSEMBLY (INCLUDES SPARK PLUG WIRES).....	1
7	*		FLAT WASHER	2
8	*		LOCK WASHER.....	2
9	72871-G01		SCREW.....	2
10				
11				
12				
13	25887-G01		6 GA WIRE (BLACK, 6", F1 - A2).....	1
14	25682-G1		TERMINAL COVER	3
15				
16				
17				
18	24775-G*		BATTERY, 12V	1
19	00962-G1		BOLT, 5/16 - 18 X 1 1/4" LG	2
20	00993-G01		LOCK WASHER, 5/16" (SILICON BRONZE).....	2
21	00994-G01		NUT, 5/16 - 18 (SILICON BRONZE)	2
22				
23	72101-G02		BATTERY HOLD DOWN.....	1
24	00438-G6		BOLT, 5/16 - 18 X 3/4" LG	1
25	00565-G8		LOCK WASHER, 5/16".....	1
26	01110-G03		WASHER, 5/16" (STAINLESS STEEL)	1
27				
28				
29	27044-G03		GROUND CABLE.....	1
30	25976-G19		14 GA WIRE (BLACK, 6")	1

ELECTRICAL

Where applicable, THE USE OF NON UL PARTS WILL VOID ANY UL LISTING.

When ordering parts, please specify the model and serial number of the product.

* Indicates a component that is not available as an individual part.

G** Indicates consult Customer Service Department for additional information.

ITEM	PART NO.	1 2 3 4 5	DESCRIPTION	QTY.
31	00438-G6		BOLT, 5/16 - 18 X 3/4" LG	2
32	11027-G1		LOCK NUT, 5/16 - 18	2
33	26676-G01		FLANGED BOLT, M6 X 1 X 23 MM LG	1
34				
35	25972-G58		6 GA WIRE (BLACK 26", F2 - SOL).....	1
36				
37	74935-G01		WIRE HARNESS (CONTROL).....	1
38				
39				
40	17618-G1		WIRE TIE	AR
41				
42	73049-G01		COVER.....	1
43	16469-G1		WASHER, 1/4"	1
44	00114-G6		SCREW, 1/4 - 14 X 3/4" LG.....	1
45				
46				
47	72909-G01		ELECTRICAL PLATE ASSEMBLY (INCLUDES ITEMS 48 - 72)	1
48	73057-G01		BRACKET	1
49	27739-G01		VOLTAGE REGULATOR	1
50	27153-G01		SOLENOID	1
51	00415-G2		BOLT, 1/4 - 20 X 1 1/4" LG.....	1
52	00414-G8		BOLT, 1/4 - 20 X 1" LG.....	1
53	11027-G2		LOCK NUT, 1/4 - 20.....	2
54				
55				
56	72872-G01		IGNITOR	1
57	00414-G5		BOLT, 1/4 - 20 X 5/8" LG.....	1
58	11027-G2		LOCK NUT, 1/4 - 20.....	1
59				
60				

ELECTRICAL

Where applicable, THE USE OF NON UL PARTS WILL VOID ANY UL LISTING.

When ordering parts, please specify the model and serial number of the product.

* Indicates a component that is not available as an individual part.

G** Indicates consult Customer Service Department for additional information.

ITEM	PART NO.	1	2	3	4	5	DESCRIPTION	QTY.
61								
62	73446-G01						FASTON TAB, 90°	2
63	00565-G5						LOCK WASHER, #10	2
64	00526-G4						NUT, #10 - 32.....	2
65								
66								
67	25978-G56						18 GA WIRE (BLACK, 5 3/4").....	1
68								
69	22585-G3						IN-LINE FUSE HOLDER.....	1
70	00565-G8						LOCK WASHER, 5/16"	2
71	00544-G4						JAM NUT, 5/16 - 24.....	2
72	25972-G33						6 GA WIRE (BLACK, 24", B+ - SOL)	1
73								
74								
75								
76								
77								
78								
79	35211-G01						FUSE BLOCK (6 POSITION)	1
80	00379-G2						SCREW, #10 - 24 X 1 1/4" LG.....	2
81	00559-G5						WASHER, #10.....	2
82	14390-G10						LOCK NUT, #10 - 24	2
83	35212-G01						FUSE, 15 AMP	AR
84	12914-G1						PUSH ON MALE TERMINAL	1
85	00567-G5						LOCK WASHER, #10	1
86	00526-G4						NUT, #10 - 32	1
87								
88	32860-G2						HORN.....	1
89	17318-G1						HORN SWITCH.....	1
90	17318-G2						HORN SWITCH CAP AND NUT	1

ELECTRICAL

Where applicable, THE USE OF NON UL PARTS WILL VOID ANY UL LISTING.

When ordering parts, please specify the model and serial number of the product.

* Indicates a component that is not available as an individual part.

G** Indicates consult Customer Service Department for additional information.

ITEM	PART NO.	1 2 3 4 5	DESCRIPTION	QTY.
91	27068-G01		HORN SWITCH BOOT	1
92	19233-G1		HORN SWITCH LABEL	1
93	71055-G01		RIVET, 3/16" X 1" LG (ALUMINUM).....	2
94				
95				
96				
97				
98				
99				
100				
101				
102				
103				
104				
105				
106				
107				
108				
109				
110				
111				
112				
113				
114				
115				
116				
117				
118				
119				
120				

ELECTRICAL

Where applicable, THE USE OF NON UL PARTS WILL VOID ANY UL LISTING.
 When ordering parts, please specify the model and serial number of the product.
 * Indicates a component that is not available as an individual part.
 G** Indicates consult Customer Service Department for additional information.

ITEM	PART NO.	1	2	3	4	5	DESCRIPTION	QTY.
121	20209-G3						HEADLIGHT (INCLUDES ITEM 122) (LX / SE)	2
122	00906-G6						SCREW, #10 - 16 X 1" LG	2
123	74337-G01						JUMPER WIRE (HEADLIGHT)	2
124								
125	20570-G3						TURN SIGNAL LIGHT (INCLUDES ITEMS 126 - 131).....	2
126	20574-G3						TURN SIGNAL LIGHT	1
127	00660-G7						WASHER, 1/4"	1
128	20606-G1						WIRE ASSEMBLY	1
129	00567-G7						LOCK WASHER, 1/4"	1
130	00532-G1						NUT, 1/4 - 20.....	1
131	18995-G1						PUSH-ON MALE TERMINAL	1
132	20574-G5						LENS, AMBER	1
133	00118-G5						SCREW, #6 - 18 X 5/8" LG.....	2
134	74056-G01						TURN SIGNAL JUMPER, RED/BLACK (PASSENGER SIDE)	1
135	74056-G02						TURN SIGNAL JUMPER, GREEN/BLACK (DRIVER SIDE)	1
136								
137								
138	32739-G2						TAILLIGHT ASSEMBLY (COMPLETE)	2
139								
140								
141	17867-G1						TURN SIGNAL (WITH MOUNTING HARDWARE) (INCL. ITEM 142).....	1
142	21640-G1						TURN SIGNAL FLASHER	1
143	32307-G3						FLEX LOOM, 3/8 X 8" LG	1
144	17618-G1						WIRE TIE	2
145	20965-G3						STEERING COLUMN COVER.....	1
146								
147								
148	17421-G1						IGNITION SWITCH KIT (W/O LIGHTS - STANDARD - WITH HARDWARE)	1
149	17955-G1						IGNITION SWITCH (WITHOUT LIGHTS - NON STANDARD)	1
150	18027-G1						IGNITION SWITCH (WITHOUT LIGHTS - INDIVIDUALLY KEYED)	1

ELECTRICAL

Where applicable, THE USE OF NON UL PARTS WILL VOID ANY UL LISTING.

When ordering parts, please specify the model and serial number of the product.

* Indicates a component that is not available as an individual part.

G** Indicates consult Customer Service Department for additional information.

ITEM	PART NO.	1 2 3 4 5	DESCRIPTION	QTY.
151	33639-G**		IGNITION SWITCH (WITH LIGHTS).....	1
152	00568-G6		LOCK WASHER, 3/4".....	1
153	17137-G1		FACE NUT, 3/4 - 20.....	1
154	17063-G1		IGNITION KEY (SET).....	1
155	73041-G01		WIRE HARNESS (KEY SWITCH).....	1
156				
157				
158	73030-G01		PLATE (IGNITION SWITCH ONLY).....	1
159	71181-G02		DECAL (IGNITION SWITCH ONLY) WITHOUT HEADLIGHTS.....	1
160	71181-G01		DECAL (IGNITION SWITCH ONLY) WITH HEADLIGHTS.....	1
161				
162				
163	73030-G04		PLATE (FUEL GAUGE AND OIL LIGHT).....	1
164	71127-G01		DECAL (OIL LIGHT AND FUEL GAUGE W/O HEADLIGHTS).....	1
165	71131-G01		DECAL (OIL LIGHT AND FUEL GAUGE WITH HEADLIGHTS).....	1
166	21553-G1		FUEL GAUGE.....	1
167	23474-G1		INDICATOR LIGHT.....	1
168	74311-G01		HARNESS (OIL LIGHT/FUEL GAUGE).....	1
169	25978-G122		18 GA WIRE (RED 6").....	1
170				
171				
172	73030-G03		PLATE (LOW FUEL AND OIL LIGHT INDICATOR).....	1
173	71125-G01		DECAL (LOW FUEL AND LOW OIL W/O HEADLIGHTS).....	1
174	71183-G01		DECAL (OIL AND FUEL LIGHTS WITH HEADLIGHTS).....	1
175	23474-G1		INDICATOR LIGHT.....	2
176	74309-G01		HARNESS (OIL LIGHT/FUEL LIGHT).....	1
177	25978-G74		18 GA WIRE (RED 6").....	1
178				
179	33623-G02		DRIVE RIVET, 3/16" X 3/8" LG.....	2
180				

ELECTRICAL

Where applicable, THE USE OF NON UL PARTS WILL VOID ANY UL LISTING.
 When ordering parts, please specify the model and serial number of the product.
 * Indicates a component that is not available as an individual part.
 G** Indicates consult Customer Service Department for additional information.

ITEM	PART NO.	1 2 3 4 5	DESCRIPTION	QTY.
181	74444-G**		CONSOLE INSERT ASSEMBLY (WITH OR W/O POWER OUTLET) (INCLUDES ITEMS 182 - 185).....	1
182	71077-G**		CONSOLE INSERT PLATE	1
183	35966-G**		DECAL (CONSOLE INSERT PLATE).....	1
184	71078-G01		POWER OUTLET (12 VOLT).....	1
185	14601-G10		RIVET, 5/32" X 7/16" LG	2
186	33623-G01		DRIVE RIVET, 5/32" X 5/16" LG	3
187	71081-G01		WIRE HARNESS (POWER OUTLET)	1
188				
189	75114-G02		HOUR METER KIT (INCLUDES ITEMS 190 - 194).....	1
190	21573-G1		HOUR METER ASSEMBLY.....	1
191	74019-G01		HOUR METER BRACKET	1
192	00150-G4		SCREW, #10 - 24 X 1/2" LG	2
193	11098-G7		LOCK NUT, #10 - 24.....	2
194	75117-G01		WIRE HARNESS (HOUR METER).....	1
195				
196				
197	71323-G**		WORK LIGHT BAR WITH LIGHTS AND/OR STROBE (INCLUDES ITEMS 198 - 215, 218 AND/OR 226).....	1
198	75838-G03		STRUT (DRIVER SIDE).....	1
199	75838-G04		STRUT (PASSENGER SIDE)	1
200	75346-G01		WIRE HARNESS (WORK LIGHT)	1
201	71294-G02		BRACE.....	1
202	71293-G02		COVER PLATE	1
203	75430-G01		SWITCH HARNESS	1
204	73522-G**		CONSOLE INSERT PLATE	1
205	33201-G03		STROBE LIGHT MOUNT (USED ONLY WITH STROBE LIGHT).....	1
206	75365-G01		HARDWARE KIT (INCLUDES ITEMS 207 - 215).....	1
207	00685-G7		BOLT, 5/16 - 18 X 1 3/4" LG	6
208	00660-G8		WASHER, 5/16".....	12
209	15121-G1		WASHER, 3/8" X 1 1/4".....	2

ELECTRICAL

Where applicable, THE USE OF NON UL PARTS WILL VOID ANY UL LISTING.

When ordering parts, please specify the model and serial number of the product.

* Indicates a component that is not available as an individual part.

G** Indicates consult Customer Service Department for additional information.

ITEM	PART NO.	1	2	3	4	5	DESCRIPTION	QTY.
210	01109-G01						LOCK NUT, 5/16 - 18	4
211	00918-G3						ACORN NUT, 5/16 - 18	2
212	33623-G02						DRIVE RIVET, 3/16" X 3/8" LG.....	3
213	20367-G1						GROMMET	2
214	16705-G3						SCREW, 1/4 - 20 X 3/4" LG.....	2
215	14390-G4						LOCK NUT, 1/4 - 20	2
216								
217								
218	20383-G2						WORK LIGHT KIT (INCLUDES ITEMS 219 - 224).....	1
219	20209-G2						WORK LIGHT (RECTANGULAR)	2
220	00566-G3						LOCK WASHER, 1/2"	2
221	00533-G1						NUT, 1/2 - 13	2
222	17317-G1						LIGHT SWITCH.....	1
223	17902-G1						TAB ADAPTER.....	1
224	20053-G1						16 GA WIRE (RED 5 3/8").....	1
225								
226	20385-G3						STROBE LIGHT KIT (INCLUDES ITEMS 227 - 232)	1
227	20394-G4						STROBE LIGHT	1
228	00379-G4						SCREW, #10 - 24 x 1/2" LG	3
229	11098-G7						LOCK NUT, #10 - 24	3
230	17317-G1						LIGHT SWITCH.....	1
231	17902-G1						TAB ADAPTER.....	1
232	20053-G1						16 GA WIRE (RED 5 3/8").....	1
233								
234								
235	20271-G10						HOLE PLUG.....	1

ELECTRICAL

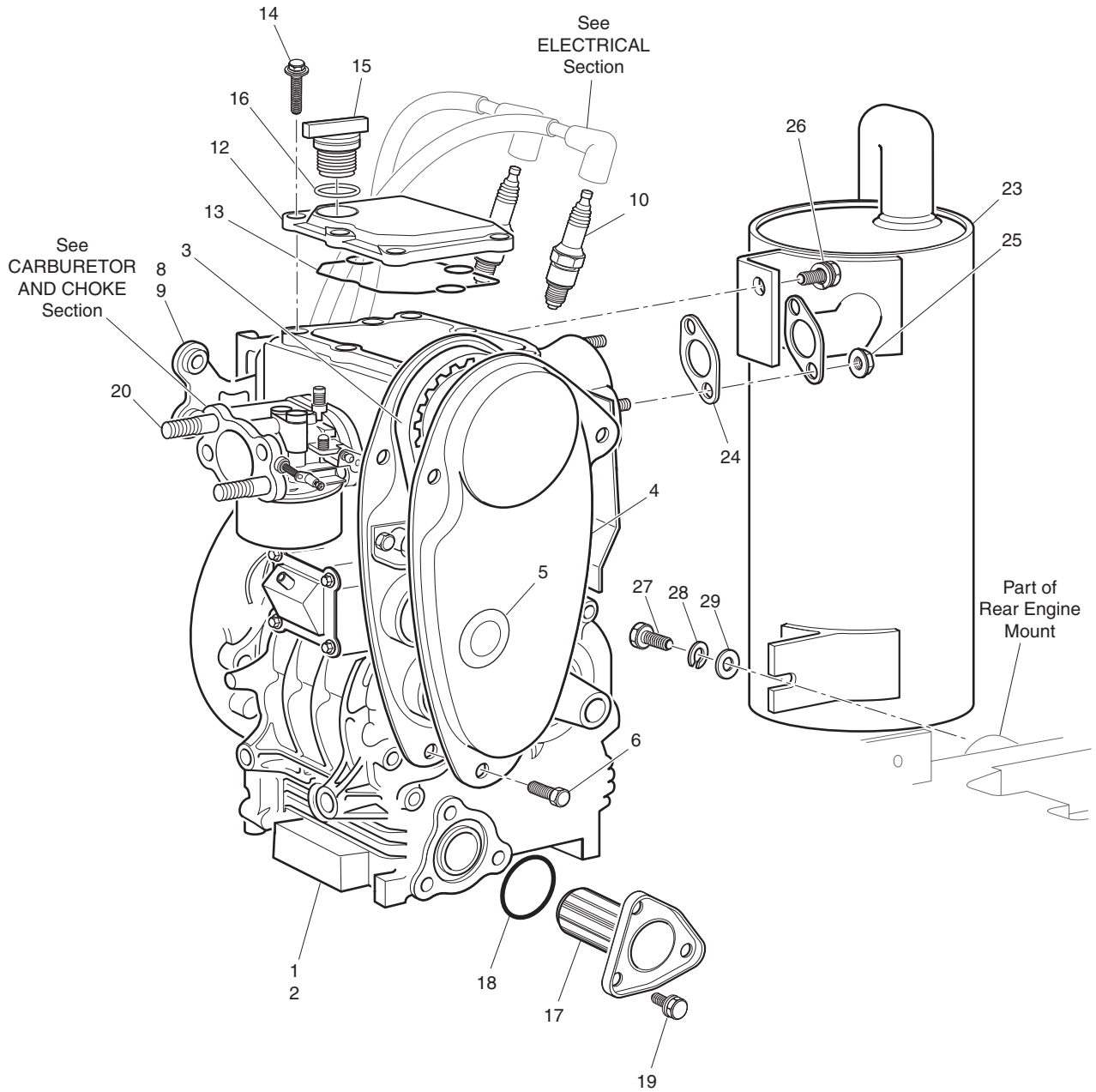
Where applicable, THE USE OF NON UL PARTS WILL VOID ANY UL LISTING.
When ordering parts, please specify the model and serial number of the product.
* Indicates a component that is not available as an individual part.
G** Indicates consult Customer Service Department for additional information.

ITEM	PART NO.	1	2	3	4	5	DESCRIPTION	QTY.
1								

Where applicable, THE USE OF NON UL PARTS WILL VOID ANY UL LISTING.
When ordering parts, please specify the model and serial number of the product.
* Indicates a component that is not available as an individual part.
G** Indicates consult Customer Service Department for additional information.

ITEM	PART NO.	1	2	3	4	5	DESCRIPTION	QTY.

ENGINE AND MUFFLER



Ref Emf 2

ENGINE AND MUFFLER

Where applicable, THE USE OF NON UL PARTS WILL VOID ANY UL LISTING.

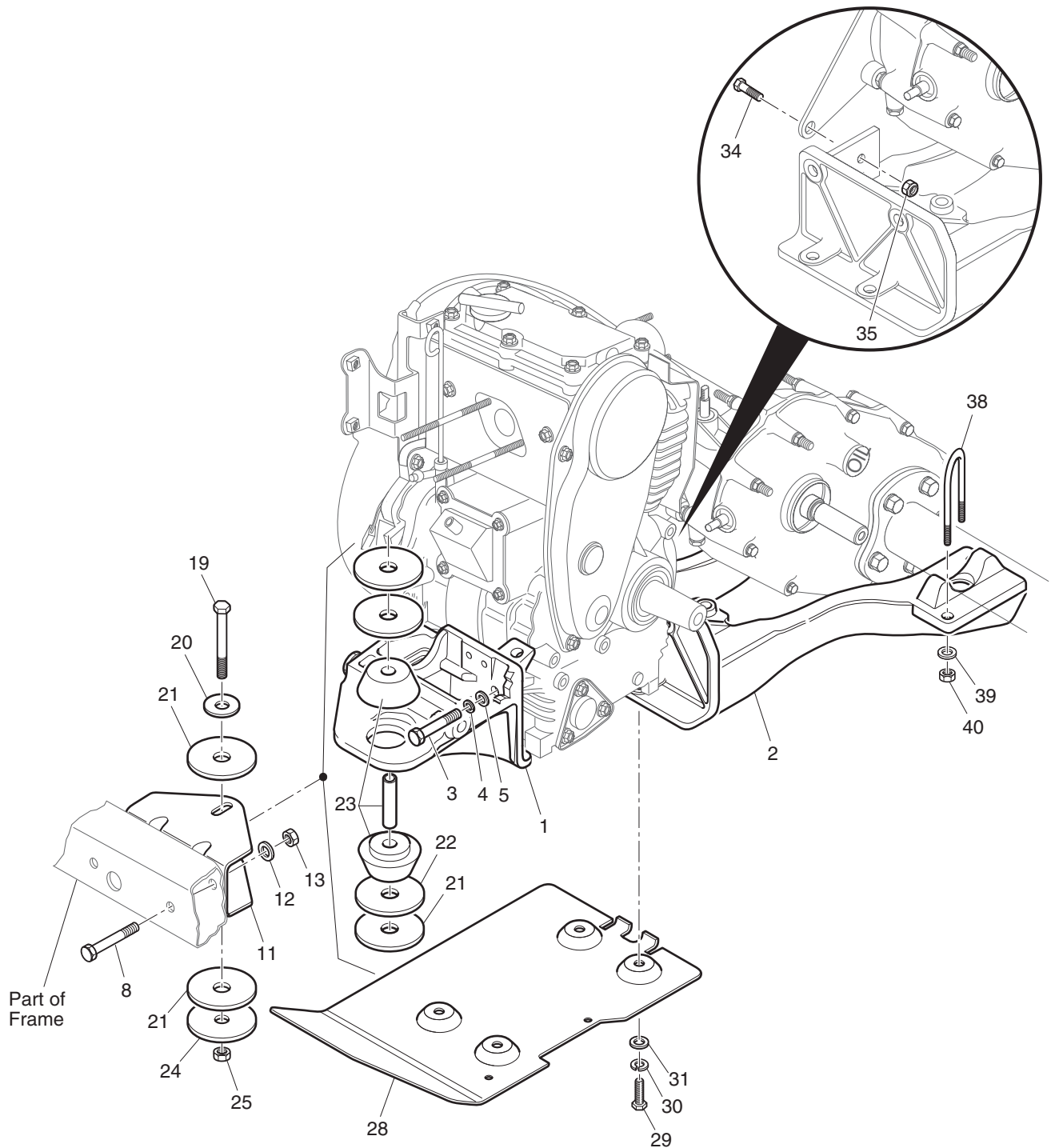
When ordering parts, please specify the model and serial number of the product.

* Indicates a component that is not available as an individual part.

G** Indicates consult Customer Service Department for additional information.

ITEM	PART NO.	1 2 3 4 5	DESCRIPTION	QTY.
1	72845-G01		ENGINE (FOR VEHICLES ORIGINALLY EQUIPPED WITH 295cc (EH29C) (INCLUDES ITEMS 3 - 8, 10 - 20)	1
2	72846-G01		ENGINE (FOR VEHICLES ORIGINALLY EQUIPPED WITH 350cc (EH35C) (INCLUDES ITEMS 3 - 6, 9 - 20)	1
3	26626-G01		TIMING BELT	1
4	72908-G01		TIMING BELT COVER	1
5	26631-G01		TIMING BELT COVER GROMMET	1
6	26678-G01		BOLT, M6 X 1 X 12 MM LG.....	3
7				
8	72885-G01		IGNITION COIL BRACKET (295cc).....	1
9	72869-G01		IGNITION COIL BRACKET (350cc).....	1
10	25523-G3		SPARK PLUG (NGK BPR4ES - RESISTOR)	2
11				
12	72848-G01		VALVE COVER	1
13	72876-G01		VALVE COVER GASKET	1
14	26676-G01		FLANGED BOLT, M6 X 1 X 23 MM LG.....	6
15	26601-G01		OIL FILLER CAP.....	1
16	26720-G01		OIL FILLER 'O' RING.....	1
17	26591-G01		OIL FILTER	1
18	26710-G01		OIL FILTER 'O' RING	1
19	26680-G01		BOLT AND WASHER, M6 X 1 X 12 MM LG	3
20	72307-G01		STUD, M6 X 1 X 115MM LG.....	2
21				
22				
23	74829-G01		MUFFLER	1
24	25531-G1		EXHAUST GASKET	1
25	26827-G01		NUT, M8 X 1.25MM	2
26	25532-G1		BOLT AND WASHER, M8 X 1.25 X 18 MM LG	1
27	00438-G8		BOLT, 5/16 - 18 X 1" LG	1
28	00565-G8		LOCK WASHER, 5/16"	1
29	00642-G8		WASHER, 5/16"	1

ENGINE MOUNTING



Ref Emt 6

ENGINE MOUNTING

Where applicable, THE USE OF NON UL PARTS WILL VOID ANY UL LISTING.

When ordering parts, please specify the model and serial number of the product.

* Indicates a component that is not available as an individual part.

G** Indicates consult Customer Service Department for additional information.

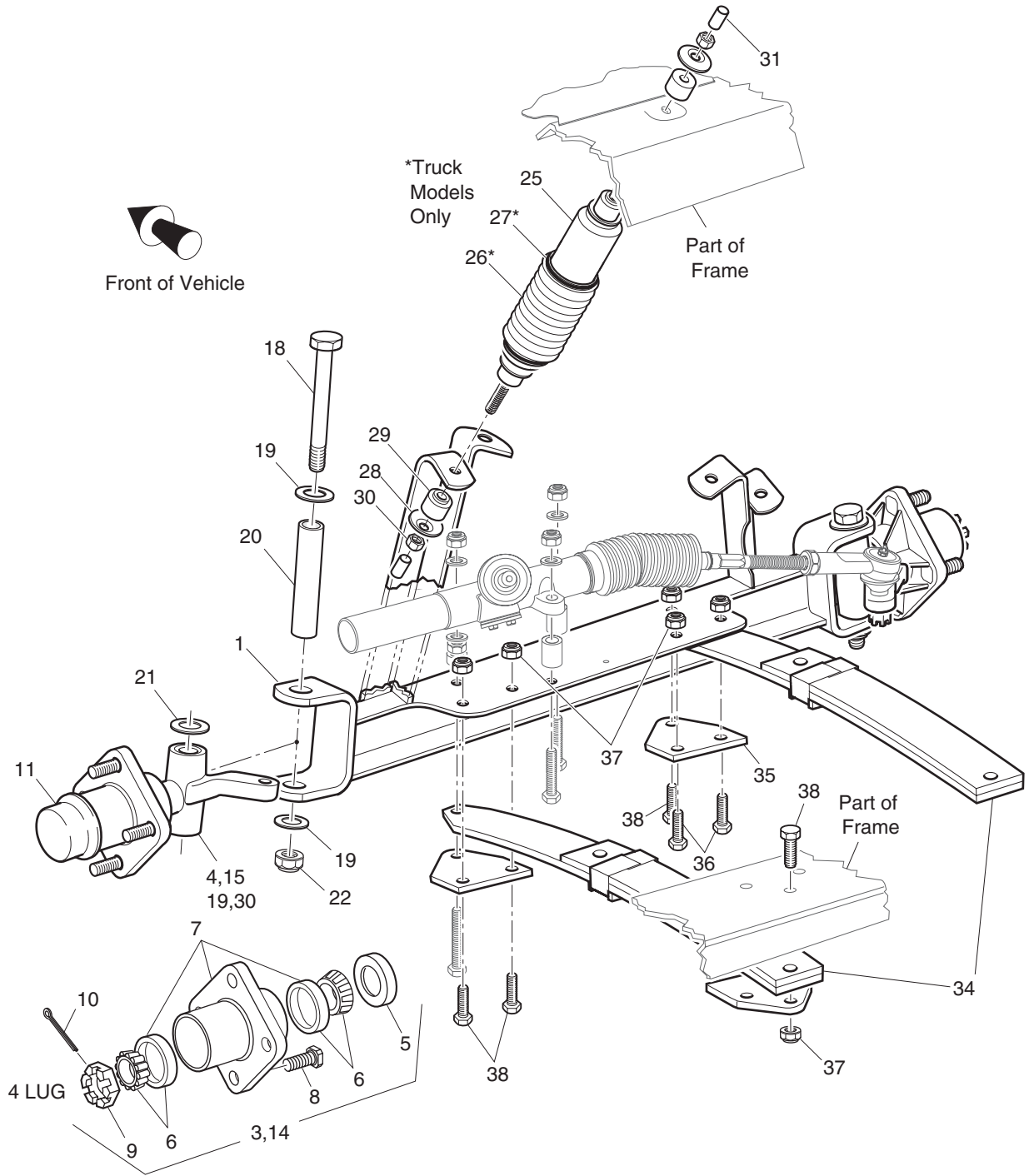
ITEM	PART NO.	1 2 3 4 5	DESCRIPTION	QTY.
1	72010-G01		FRONT ENGINE MOUNT	1
2	72011-G01		REAR ENGINE MOUNT	1
3	00463-G4		BOLT, 7/16 - 14 X 1 1/2" LG	4
4	00566-G2		LOCK WASHER, 7/16"	4
5	00922-G3		WASHER, 7/16"	4
6				
7				
8	00428-G6		BOLT, 3/8 - 16 X 2 3/4" LG	2
9				
10				
11	72044-G01		MOUNT BRACKET	1
12	00643-G1		WASHER, 3/8"	2
13	11098-G5		LOCK NUT, 3/8 - 16	2
14				
15				
16				
17				
18				
19	00430-G4		BOLT, 3/8 - 16 X 4 1/2" LG	1
20	15121-G1		WASHER, 1 1/4" X 3/8"	1
21	72050-G01		PLASTIC WASHER, 2 1/2" x 5/8"	4
22	72051-G01		WASHER, 2 1/2" X 5/8"	2
23	72015-G01		ISOLATION MOUNT	1
24	72051-G02		WASHER, 2 1/2" X 11/32"	1
25	11098-G5		LOCK NUT, 3/8 - 16	1
26				
27				
28	72719-G01		ENGINE GUARD.....	1
29	00463-G4		BOLT, 7/16 - 14 X 1 1/2" LG	4
30	00566-G2		LOCK WASHER, 7/16"	4

ENGINE MOUNTING

Where applicable, THE USE OF NON UL PARTS WILL VOID ANY UL LISTING.
 When ordering parts, please specify the model and serial number of the product.
 * Indicates a component that is not available as an individual part.
 G** Indicates consult Customer Service Department for additional information.

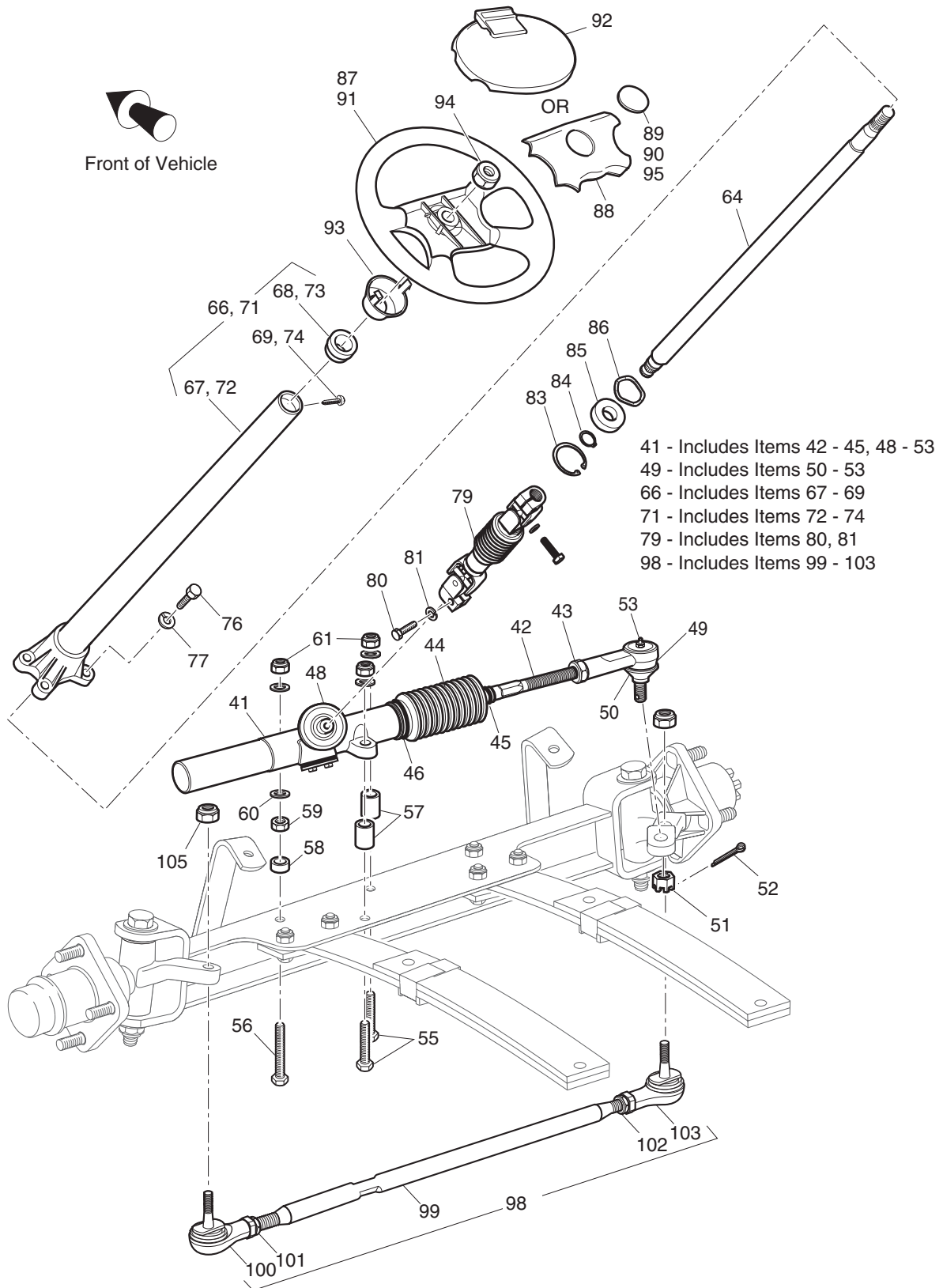
ITEM	PART NO.	1 2 3 4 5	DESCRIPTION	QTY.
31	00922-G3		WASHER, 7/16"	4
32				
33				
34	00439-G1		BOLT, 5/16 - 18 X 1 1/8" LG	1
35	11098-G6		LOCK NUT, 5/16 - 18	1
36				
37				
38	72035-G01		'U' BOLT, 7/16 - 14	2
39	00922-G3		WASHER, 7/16"	4
40	00734-G1		LOCK NUT, 7/16 - 14	4

FRONT SUSPENSION/STEERING



Ref Fss 21-1

FRONT SUSPENSION/STEERING



Ref Fss 21-2

FRONT SUSPENSION/STEERING

THE USE OF NON U.L. PARTS WILL VOID ANY U.L. LISTING.

When ordering parts, please specify the model and serial number of the product.

* Indicates a component that is not available as an individual part.

G** Indicates consult Customer Service Department for additional information.

ITEM	PART NO.	1 2 3 4 5	DESCRIPTION	QTY.
1	74600-G02		FRONT AXLE	1
2				
3	70942-G03		SPINDLE AND HUB ASSEMBLY, 4 LUG (PASSENGER SIDE) (INCLUDES ITEMS 4 - 10).....	1
4	70942-G02		SPINDLE ASSEMBLY (PASSENGER SIDE).....	1
5	25146-G1		GREASE SEAL.....	1
6	50892-G1		ROLLER BEARING AND RACE ASSEMBLY.....	2
7	70895-G01		WHEEL HUB ASSEMBLY WITH RACES, 4 LUG (INCLUDES ITEM 8)	1
8	19862-G1		LUG BOLT, 1/2 - 20 X 1 7/32" LG.....	4
9	12093-G1		SLOTTED NUT, 1 - 14	1
10	00798-G8		COTTER PIN, 5/32" X 1 3/4" LG	1
11	12091-G2		SPINDLE CAP.....	2
12				
13				
14	70673-G03		SPINDLE AND HUB ASSEMBLY, 4 LUG (DRIVER SIDE) (INCLUDES ITEMS 5 - 10, 15).....	1
15	70673-G02		SPINDLE ASSEMBLY (DRIVER SIDE)	1
16				
17				
18	00407-G6		BOLT, 1/2 - 13 X 6" LG	2
19	00560-G3		WASHER, 1/2"	4
20	70745-G01		KING PIN TUBE	2
21	70754-G01		THRUST WASHER (STAINLESS STEEL).....	2
22	14390-G6		LOCK NUT, 1/2 - 13	2
23				
24				
25	70928-G01		SHOCK ABSORBER.....	2
26	70509-G01		SHOCK ABSORBER BOOT	2
27	31539-G1		WIRE TIE	4
28	10435-G1		SHOCK ABSORBER WASHER.....	8
29	10194-G1		RUBBER SHOCK ABSORBER BUSHING	8

FRONT SUSPENSION/STEERING

THE USE OF NON U.L. PARTS WILL VOID ANY U.L. LISTING.

When ordering parts, please specify the model and serial number of the product.

* Indicates a component that is not available as an individual part.

G** Indicates consult Customer Service Department for additional information.

ITEM	PART NO.	1 2 3 4 5	DESCRIPTION	QTY.
30	00532-G6		NUT, 3/8 - 24	4
31	10044-G01		VINYL CAP	4
32				
33				
34	70664-G03		LEAF SPRING (HEAVY DUTY) (SEE PART NUMBER ON SPRING)	2
35	70163-G03		SPRING PLATE	4
36	00463-G4		BOLT, 7/16 - 14 X 1 1/2" LG	2
37	00734-G1		LOCK NUT, 7/16 - 14	9
38	00463-G6		BOLT, 7/16 - 14 X 1 3/4" LG	9
39				
40				
41	74605-G01		RACK AND PINION UNIT (COMPLETE) (INCLUDES ITEMS 42 - 45, 48 - 53)	1
42	74602-G01		RACK EXTENSION	1
43	*		JAM NUT, 1/2 - 20	1
44	70675-G01		RACK BOOT	1
45	17618-G1		WIRE TIE	1
46	12416-G2		WIRE TIE	1
47				
48	70638-G01		PINION SEAL	1
49	70695-G01		RACK BALL JOINT (INCLUDES ITEMS 50 - 53)	1
50	50641-G1		RUBBER BOOT	1
51	50209-G2		SLOTTED NUT, 7/16 - 20	1
52	10387-G2		COTTER PIN, 3/32" X 1" LG	1
53	10389-G3		GREASE FITTING, STRAIGHT	1
54				
55	00464-G6		BOLT, 7/16 - 14 X 2 3/4" LG	2
56	01068-G01		BOLT, 7/16 - 14 X 3 1/2" LG	1
57	70667-G03		SPACER	2
58	70667-G03		SPACER (SHORT)	1
59	00532-G7		NUT, 7/16 - 14	1

FRONT SUSPENSION/STEERING

THE USE OF NON U.L. PARTS WILL VOID ANY U.L. LISTING.

When ordering parts, please specify the model and serial number of the product.

* Indicates a component that is not available as an individual part.

G** Indicates consult Customer Service Department for additional information.

ITEM	PART NO.	1 2 3 4 5	DESCRIPTION	QTY.
60	00560-G2		FLAT WASHER, 7/16"	4
61	00734-G1		LOCK NUT, 7/16 - 14	3
62				
63				
64	70607-G01		STEERING SHAFT	1
65				
66	70758-G05		STEERING COLUMN KIT (INCLUDES ITEMS 67 - 69)	1
67	70610-G01		STEERING COLUMN	1
68	28569-G01		STEERING COLUMN BUSHING	1
69	01022-G01		SCREW, #6 - 20 X 5/16" LG	1
70				
71	70758-G04		STEERING COLUMN KIT (HORN) (INCLUDES ITEMS 72 - 74)	1
72	70610-G02		STEERING COLUMN	1
73	28569-G01		STEERING COLUMN BUSHING	1
74	01022-G01		SCREW, #6 - 20 X 5/16" LG	1
75				
76	01006-G01		BOLT, 3/8 - 16 X 1 1/4" LG WITH PATCHLOCK	4
77	00879-G1		LOCK WASHER, 3/8"	4
78				
79	70580-G01		INTERMEDIATE SHAFT (INCLUDES ITEMS 80, 81)	1
80	01055-G01		BOLT, M8 X 1 1/4" LG	2
81	00565-G8		LOCK WASHER, 5/16"	2
82				
83	70751-G01		RETAINING RING (INTERNAL)	1
84	70888-G01		RETAINING RING (EXTERNAL)	1
85	15112-G1		BALL BEARING	1
86	70887-G01		WAVE WASHER	1
87	71146-G01		STEERING WHEEL	1
88	71147-G01		STEERING WHEEL COVER	1
89	74815-G01		LABEL (E-Z-GO)	1

FRONT SUSPENSION/STEERING

THE USE OF NON U.L. PARTS WILL VOID ANY U.L. LISTING.

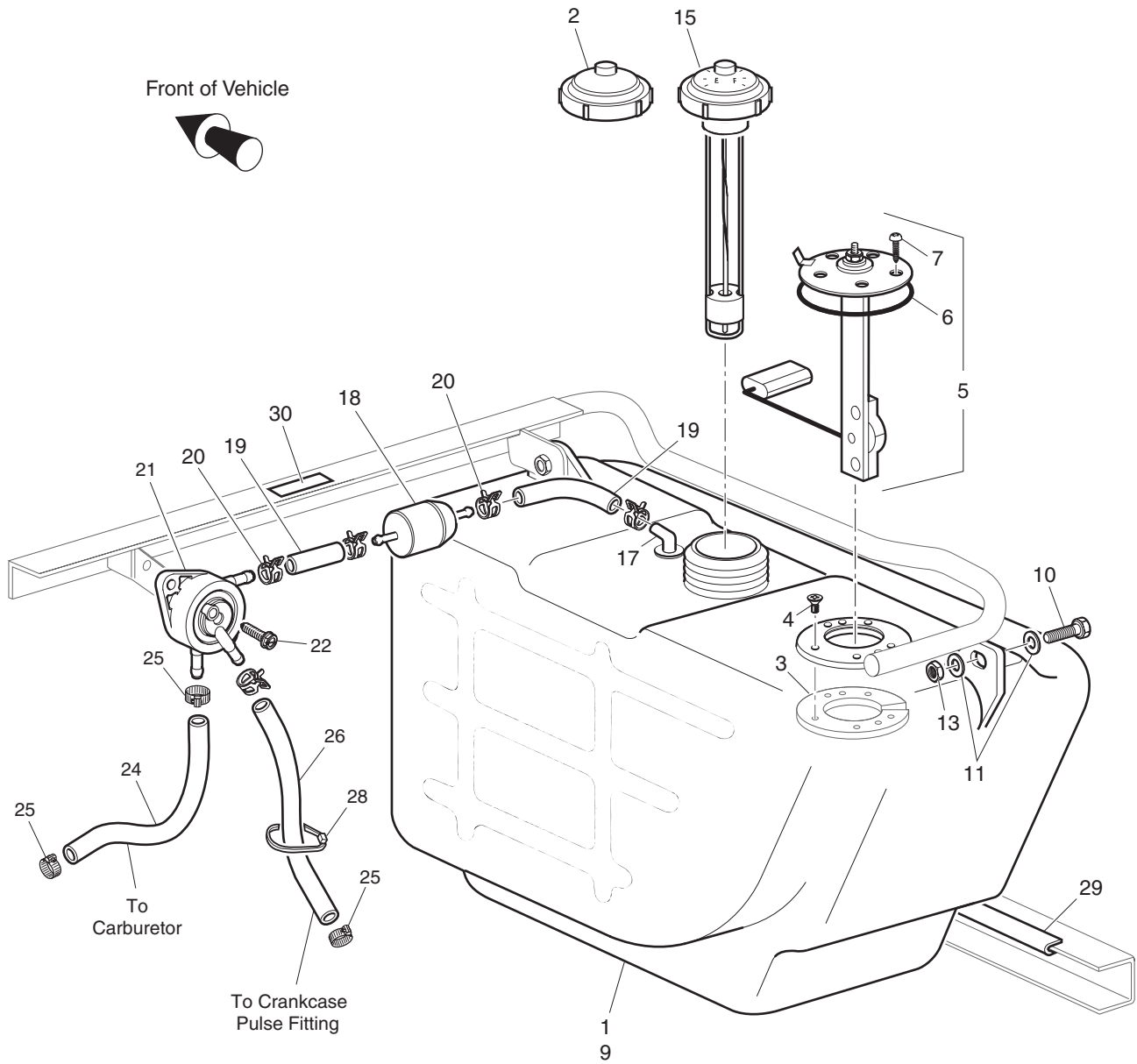
When ordering parts, please specify the model and serial number of the product.

* Indicates a component that is not available as an individual part.

G** Indicates consult Customer Service Department for additional information.

ITEM	PART NO.	1	2	3	4	5	DESCRIPTION	QTY.
90	74954-G01						LABEL (CUSHMAN).....	1
91	71948-G01						STEERING WHEEL	1
92	71950-G01						CLIPBOARD.....	1
93	71949-G01						HUB COVER	1
94	14390-G2						LOCK NUT, 5/8 - 18	1
95	28909-G01						LABEL (JACOBSEN)	1
96								
97								
98	74604-G01						TIE ROD ASSEMBLY (INCLUDES ITEMS 127 - 131).....	1
99	70897-G02						THREADED ROD (24" LG).....	1
100	70902-G01						TIE ROD END (LEFT HAND THREADS)	1
101	01069-G01						JAM NUT, M12 X 1.25-05 (LEFT HAND THREADS).....	1
102	70902-G02						TIE ROD END (RIGHT HAND THREADS).....	1
103	01069-G02						JAM NUT, M12 X 1.25-05 (RIGHT HAND THREADS)	1
104								
105	00734-G1						LOCK NUT, 7/16 - 14	2

FUEL SYSTEM



Ref Fsy 6-1

FUEL SYSTEM

Where applicable, THE USE OF NON UL PARTS WILL VOID ANY UL LISTING.

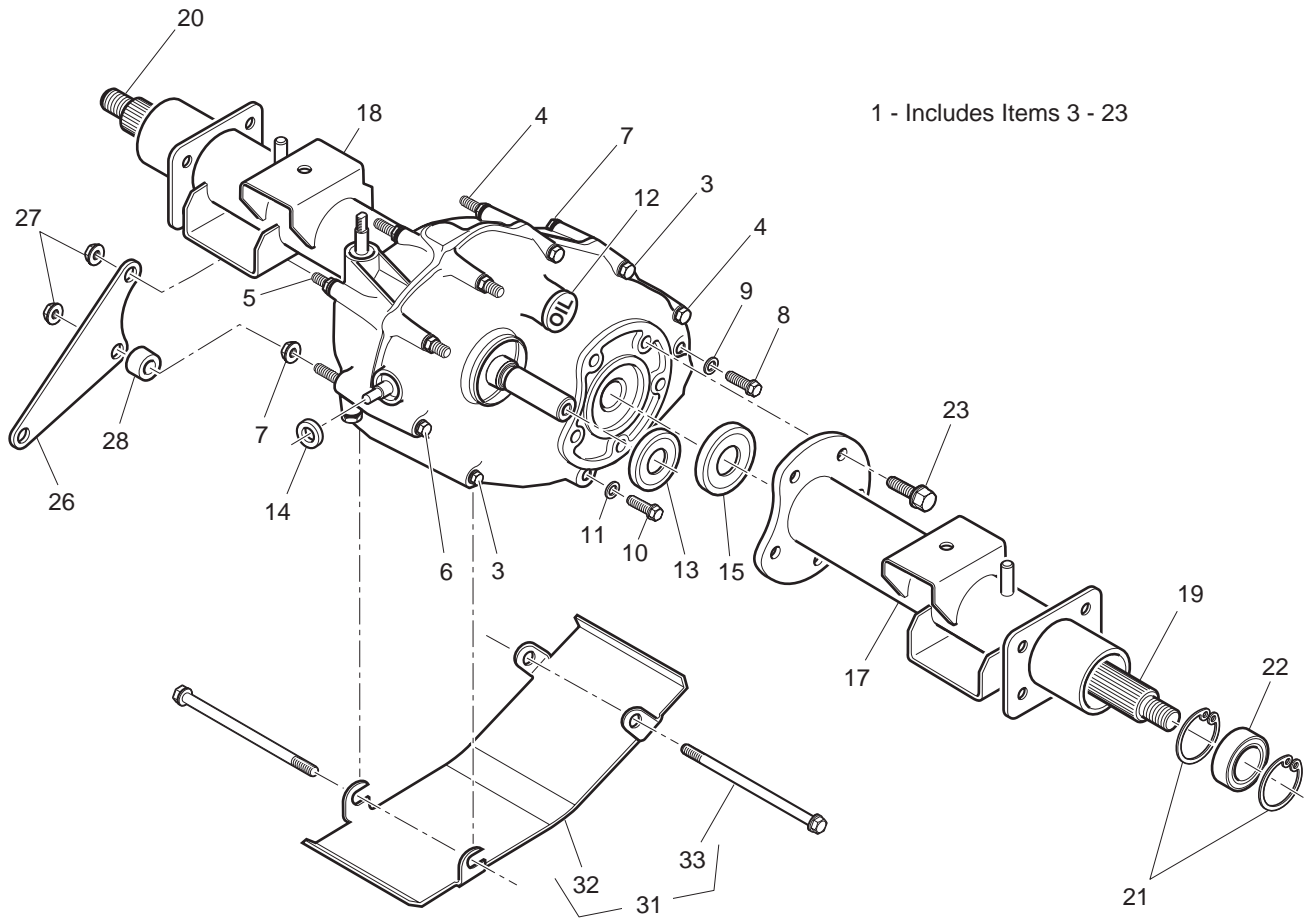
When ordering parts, please specify the model and serial number of the product.

* Indicates a component that is not available as an individual part.

G** Indicates consult Customer Service Department for additional information.

ITEM	PART NO.	1 2 3 4 5	DESCRIPTION	QTY.
1	72092-G01		FUEL TANK (FOR VEHICLES WITHOUT GAUGE)	1
2	72282-G01		FUEL TANK CAP.....	1
3	72229-G01		FUEL LEVEL SENDER ADAPTER	1
4	72230-G01		SCREW, #6 - 32 X 1/2" LG.....	2
5	20048-G2		FUEL LEVEL SENDER (ELEC. FUEL GAUGE) (INCLUDES ITEMS 6, 7)	1
6	*		GASKET	1
7	72232-G01		SCREW, #10 - 32 x 3/4" LG.....	5
8				
9	72092-G02		FUEL TANK (FOR ELECTRIC FUEL GAUGE).....	1
10	00438-G1		BOLT, 5/16 - 18 X 1 1/8" LG	2
11	00559-G8		WASHER, 5/16"	4
12				
13	11098-G6		LOCK NUT, 5/16 - 18	3
14				
15	14099-G2		FUEL TANK CAP WITH GAUGE	
16				
17	18287-G1		FUEL PICK UP TUBE	1
18	72084-G01		FUEL FILTER	1
19	17470-G1		FUEL SYSTEM TUBING, 1/4" ID X 1/2" OD (BULK).....	A/R
20	18292-G1		CLAMP	5
21	72873-G01		FUEL PUMP	1
22	00114-G6		SCREW, 1/4 - 14 X 3/4" LG.....	2
23				
24	17470-G1		FUEL SYSTEM TUBING, 1/4" ID X 1/2" OD (BULK).....	A/R
25	11391-G4		HOSE CLAMP, 1/4"	3
26	27183-G01		TUBING, 1/4" I.D. X 1/2" O.D. (BULK)	A/R
27				
28	17618-G1		WIRE TIE	3
29	22280-G1		VINYL TRIM - BLACK, (BULK)	A/R
30	26459-G01		LABEL (UNLEADED GASOLINE ONLY)	1

REAR AXLE



Ref Rax 6-1

REAR AXLE

THE USE OF NON U.L. PARTS WILL VOID ANY U.L. LISTING.

When ordering parts, please specify the model and serial number of the product.

* Indicates a component that is not available as an individual part.

G** Indicates consult Customer Service Department for additional information.

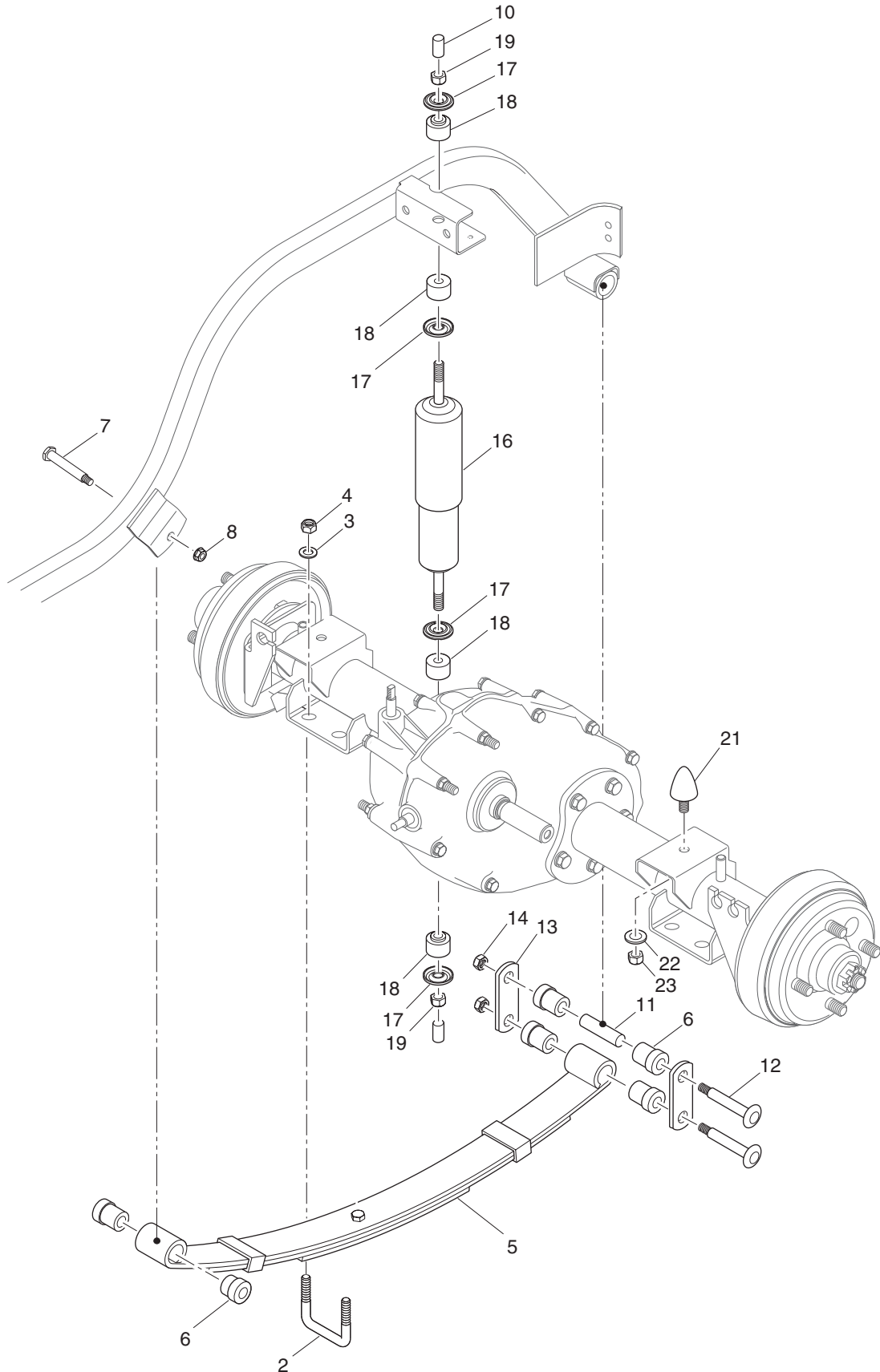
ITEM	PART NO.	1	2	3	4	5	DESCRIPTION	QTY.
1	74520-G01						REAR AXLE (13.32:1) (INCLUDES ITEMS 3 - 23)	1
2								
3	26823-G01						FLANGED BOLT, M8 X 1.25 X 100 MM LG.....	5
4	26824-G01						FLANGED BOLT, M8 X 1.25 X 110 MM LG	2
5	*						BOLT, M8 X 1.25 X 146 MM LG.....	2
6	72052-G01						FLANGED BOLT, M8 X 1.25 X 130 MM LG.....	1
7	72269-G01						FLANGE NUT, M8 X 1.25 MM	12
8	26768-G01						OIL CHECK PLUG.....	1
9	26769-G01						GASKET, 8 MM.....	1
10	26770-G01						OIL DRAIN PLUG	1
11	26771-G01						GASKET, 14 MM.....	1
12	26772-G01						OIL FILLER PLUG	1
13	26761-G01						INPUT SHAFT SEAL	1
14	26762-G01						SHIFTER SHAFT SEAL.....	1
15	72259-G01						AXLE SHAFT SEAL.....	2
16								
17	72249-G01						AXLE TUBE (DRIVER SIDE).....	1
18	72248-G01						AXLE TUBE (PASSENGER SIDE)	1
19	72056-G01						AXLE SHAFT (DRIVER SIDE).....	1
20	72057-G01						AXLE SHAFT (PASSENGER SIDE)	1
21	26814-G01						RETAINING RING.....	4
22	26811-G01						BALL BEARING	2
23	72260-G01						FLANGED BOLT, M10 X 1.5 X 23 MM LG.....	10
24								
25								
26	72017-G01						AXLE BRACKET	1
27	26830-G01						LOCK NUT, M8 X 1.25 MM	2
28	75048-G01						SPACER, 1/2"	1
29								
30								

REAR AXLE

THE USE OF NON U.L. PARTS WILL VOID ANY U.L. LISTING.
 When ordering parts, please specify the model and serial number of the product.
 * Indicates a component that is not available as an individual part.
 G** Indicates consult Customer Service Department for additional information.

ITEM	PART NO.	1 2 3 4 5	DESCRIPTION	QTY.
31	72347-G01		DIFFERENTIAL SCUFF GUARD KIT (INCLUDES ITEMS 32 - 33)	1
32	72349-G01		DIFFERENTIAL SKID PLATE	1
33	26824-G01		FLANGED BOLT, M8 X 1.25 X 110 MM LG	2

REAR SUSPENSION



Ref Rsp 21

REAR SUSPENSION

THE USE OF NON U.L. PARTS WILL VOID ANY U.L. LISTING.

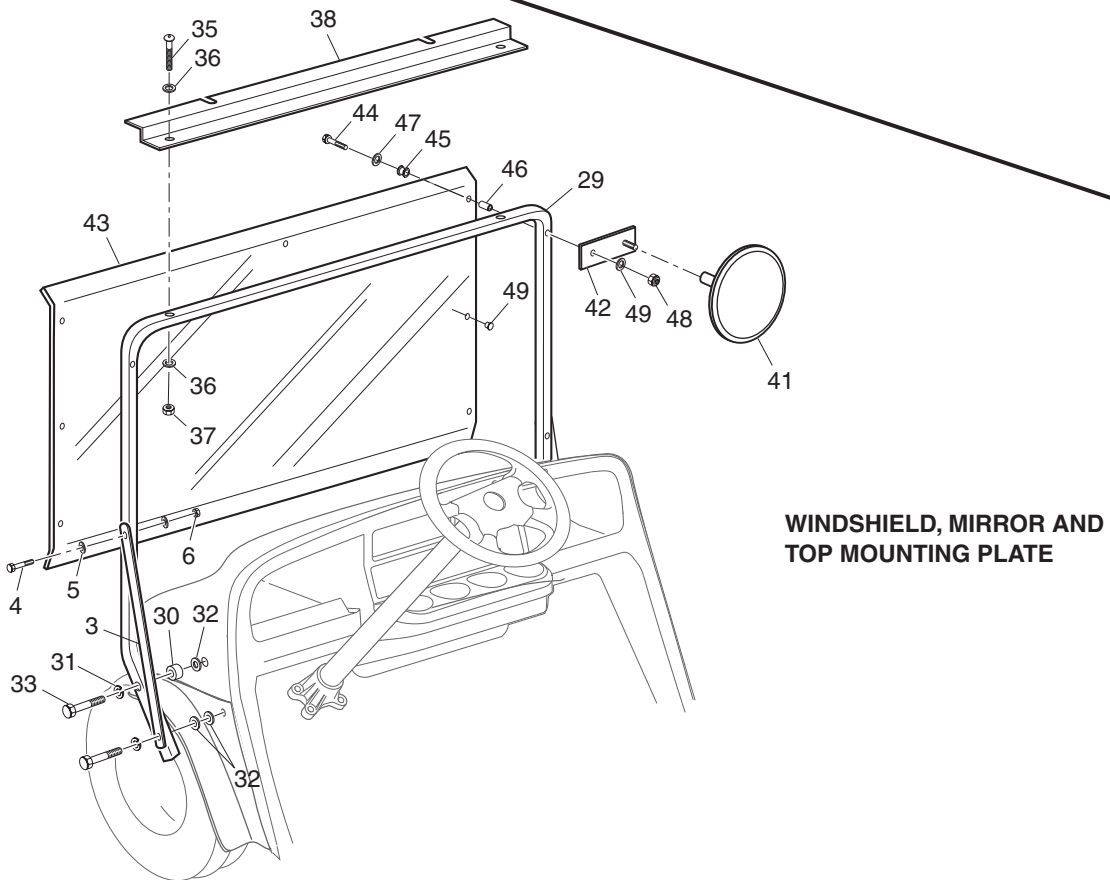
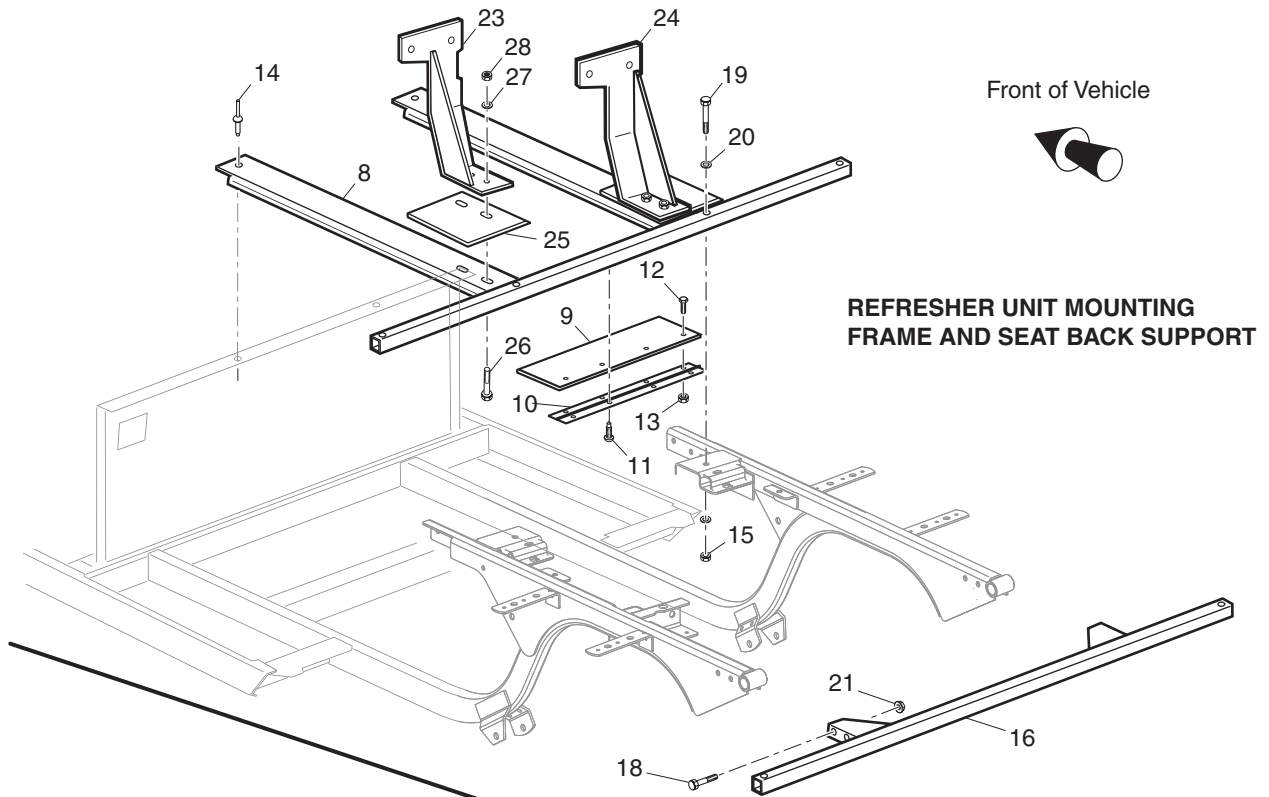
When ordering parts, please specify the model and serial number of the product.

* Indicates a component that is not available as an individual part.

G** Indicates consult Customer Service Department for additional information.

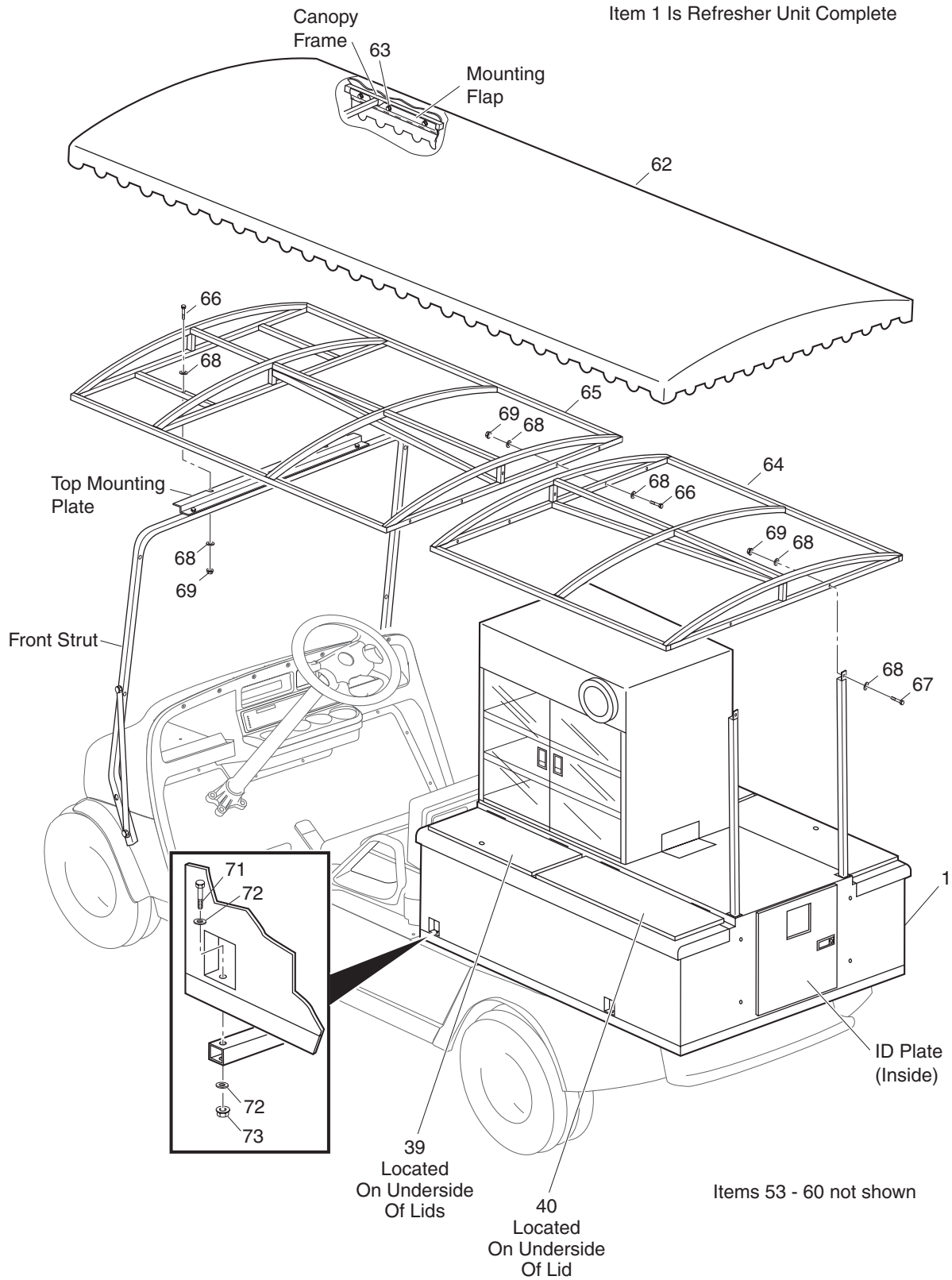
ITEM	PART NO.	1 2 3 4 5	DESCRIPTION	QTY.
1				
2	72618-G02		'U' BOLT, 3/8 - 16	4
3	00560-G1		WASHER, 3/8"	8
4	11098-G5		LOCK NUT, 3/8 - 16	8
5	74345-G03		LEAF SPRING SET (REFRESHER)	2
6	70291-G01		FLANGED BUSHING	12
7	14158-G1		SHOULDER BOLT, 3/8 - 16 x 3 1/4" LG	2
8	12262-G1		LOCK NUT, 3/8 - 16	2
9				
10	10044-G01		VINYL CAP	4
11	70289-G02		SPACER	4
12	00665-G9		BOLT, 3/8 - 16 X 3 1/2" LG	4
13	70290-G02		SHACKLE PLATE	4
14	11098-G5		LOCK NUT, 3/8 - 16	1
15				
16	70248-G01		SHOCK ABSORBER	2
17	10435-G1		WASHER (SHOCK ABSORBER)	8
18	10194-G1		RUBBER BUSHING	8
19	00532-G6		NUT, 3/8 - 24	4
20				
21	70492-G01		RUBBER BUMPER	2
22	00968-G01		LOCK WASHER, 10 MM	2
23	00974-G01		NUT, M10 X 1.5	2

REFRESHER UNIT



Ref Rfi 21-1

REFRESHER UNIT



Ref Rji 21-2

REFRESHER UNIT

THE USE OF NON U.L. PARTS WILL VOID ANY U.L. LISTING.

When ordering parts, please specify the model and serial number of the product.

* Indicates a component that is not available as an individual part.

G** Indicates consult Customer Service Department for additional information.

ITEM	PART NO.	1 2 3 4 5	DESCRIPTION	QTY.
1	74434-G01		REFRESHER UNIT (COMPLETE) (INCLUDES ITEMS 3 - 49).....	1
2				
3	35790-G01		BRACE.....	2
4	00440-G2		BOLT, 5/16 - 18 X 2 1/4" LG.....	4
5	00905-G8		LOCK WASHER, 5/16" (BLACK).....	4
6	11098-G6		LOCK NUT, 5/16 - 18.....	2
7				
8	74421-G01		REFRESHER UNIT MOUNTING FRAME (FRONT)	1
9	74392-G01		ENGINE ACCESS DOOR.....	1
10	33121-G01		ACCESS DOOR HINGE	1
11	00106-G6		SCREW, 12 - 24 X 3/4" LG	4
12	00414-G5		BOLT, 1/4 - 20 X 1/2" LG.....	4
13	00891-G2		LOCK NUT, 1/4 - 20.....	4
14	10570-G10		RIVET, 5/32" (STAINLESS STEEL)	2
15	11098-G6		LOCK NUT, 5/16 - 18.....	2
16	71545-G01		REFRESHER UNIT MOUNTING FRAME (REAR).....	1
17	74389-G01		SPACER	2
18	00427-G8		BOLT, 3/8 - 16 X 2" LG.....	4
19	00439-G8		BOLT, 5/16 - 18 X 2" LG.....	2
20	00559-G8		WASHER, 5/16"	4
21	11098-G6		LOCK NUT, 5/16 - 18.....	4
22				
23	74387-G01		SEAT BACK SUPPORT (DRIVER SIDE)	1
24	74387-G02		SEAT BACK SUPPORT (PASSENGER SIDE).....	1
25	74433-G01		SIDE COVER.....	2
26	00438-G8		BOLT, 5/16 - 18 X 1" LG.....	4
27	00559-G8		WASHER, 5/16"	4
28	11098-G6		LOCK NUT, 5/16 - 18.....	4
29	75045-G04		FRONT STRUT.....	1
30	75048-G01		SPACER	2

REFRESHER UNIT

THE USE OF NON U.L. PARTS WILL VOID ANY U.L. LISTING.

When ordering parts, please specify the model and serial number of the product.

* Indicates a component that is not available as an individual part.

G** Indicates consult Customer Service Department for additional information.

ITEM	PART NO.	1	2	3	4	5	DESCRIPTION	QTY.
31	00905-G8						LOCK WASHER, 5/16" (BLACK)	4
32	00879-G1						WASHER, 3/8" X 1"	6
33	01035-G02						BOLT, 5/16 - 18 X 2 1/2" LG.....	4
34								
35	16705-G5						BOLT, 1/4 - 20 X 1 1/2" LG.....	2
36	00559-G7						WASHER, 1/4"	4
37	00891-G2						LOCK NUT, 1/4 - 20	2
38	74191-G01						TOP MOUNTING PLATE	1
39	36002-G01						DECAL (WARNING)	3
40	35991-G01						DECAL (WARNING)	1
41	74202-G01						MIRROR, 6"	2
42	74203-G01						MIRROR MOUNTING BRACKET	2
43	75021-G03						WINDSHIELD	1
44	16705-G6						BOLT, 1/4 - 20 X 1 3/4" LG.....	4
45	72147-G01						RUBBER GROMMET	4
46	23726-G7						SPACER	4
47	00660-G7						WASHER, 1/4"	8
48	00891-G2						LOCK NUT, 1/4 - 20	4
49	75124-G01						BUMPER.....	2
50								
51								
52							ITEMS 53 - 60 NOT SHOWN	
53	74346-G01						SIGN BOARD	2
54	75793-G01						CONDIMENT TRAY	1
55	75794-G01						BOTTLE CADDY	1
56	75795-G01						CASH DRAWER.....	1
57	75796-G01						MINI BOTTLE CARRIER.....	1
58	75797-G01						HUMIDOR	1
59	75798-G01						CREDIT CARD MACHINE MOUNT	1
60	75891-G01						FOOD WARMER.....	1

REFRESHER UNIT

THE USE OF NON U.L. PARTS WILL VOID ANY U.L. LISTING.

When ordering parts, please specify the model and serial number of the product.

* Indicates a component that is not available as an individual part.

G** Indicates consult Customer Service Department for additional information.

ITEM	PART NO.	1 2 3 4 5	DESCRIPTION	QTY.
61			THE FOLLOWING SERVICE PARTS AND ACCESORIES ARE AVAILABLE FROM 19TH HOLE MARKETING, INC, 400 E. COMSTOCK DRIVE, CHANDLER, AZ 85225, PHONE: (480) 497 - 8280	
62	EZRAM10064		CANOPY	1
63	H1092		SELF TAPPING SCREW, 10MM X 1/2" LG	40
64	EZRAM10060		CANOPY FRAME (REAR)	1
65	EZRAM10061		CANOPY FRAME (FRONT).....	1
66	H1075		BOLT, 1/4 - 20 X 2"	7
67	H1077		BOLT, 1/4 - 20 X 1 1/4" LG	2
68	H1079		WASHER, 1/4"	18
69	H1078		LOCK NUT, 1/4 - 20	9
70				
71	H1083		BOLT, 5/16 - 18 X 1 1/4" LG	4
72	H1019		WASHER, 5/16"	8
73	H1017		LOCK NUT, 5/16 - 18	4
74			ITEMS 75 - 106 NOT SHOWN	
75	EZRAM10033		COLD STORAGE DOOR, FRONT.....	1
76	EZRAM10037		COLD STORAGE DOOR, REAR	1
77	EZRAM10041		CONSUMABLE ICE DOOR	1
78	EZRAM10022		CANOPY UPRIGHT	1
79	EZRAM10069		HOSE MOUNTING BRACKET.....	1
80	H4007		COMPRESSION HINGE	1
81	EZRAM10075		TRASH DOOR HINGE	1
82	B6001		TRASH BIN	1
83	H4008		TRASH DOOR LATCH.....	1
84	EZRAM10045		TRASH DOOR COMPARTMENT.....	1
85	M6003		DOOR SEAL GASKET	1
86	H2006		LOCK (COLD STORAGE DOOR).....	1
87				
88	EZRAM10069		HOSE MOUNTING BRACKET.....	2
89	H5012		SPIGOT VALVE.....	2

REFRESHER UNIT

THE USE OF NON U.L. PARTS WILL VOID ANY U.L. LISTING.

When ordering parts, please specify the model and serial number of the product.

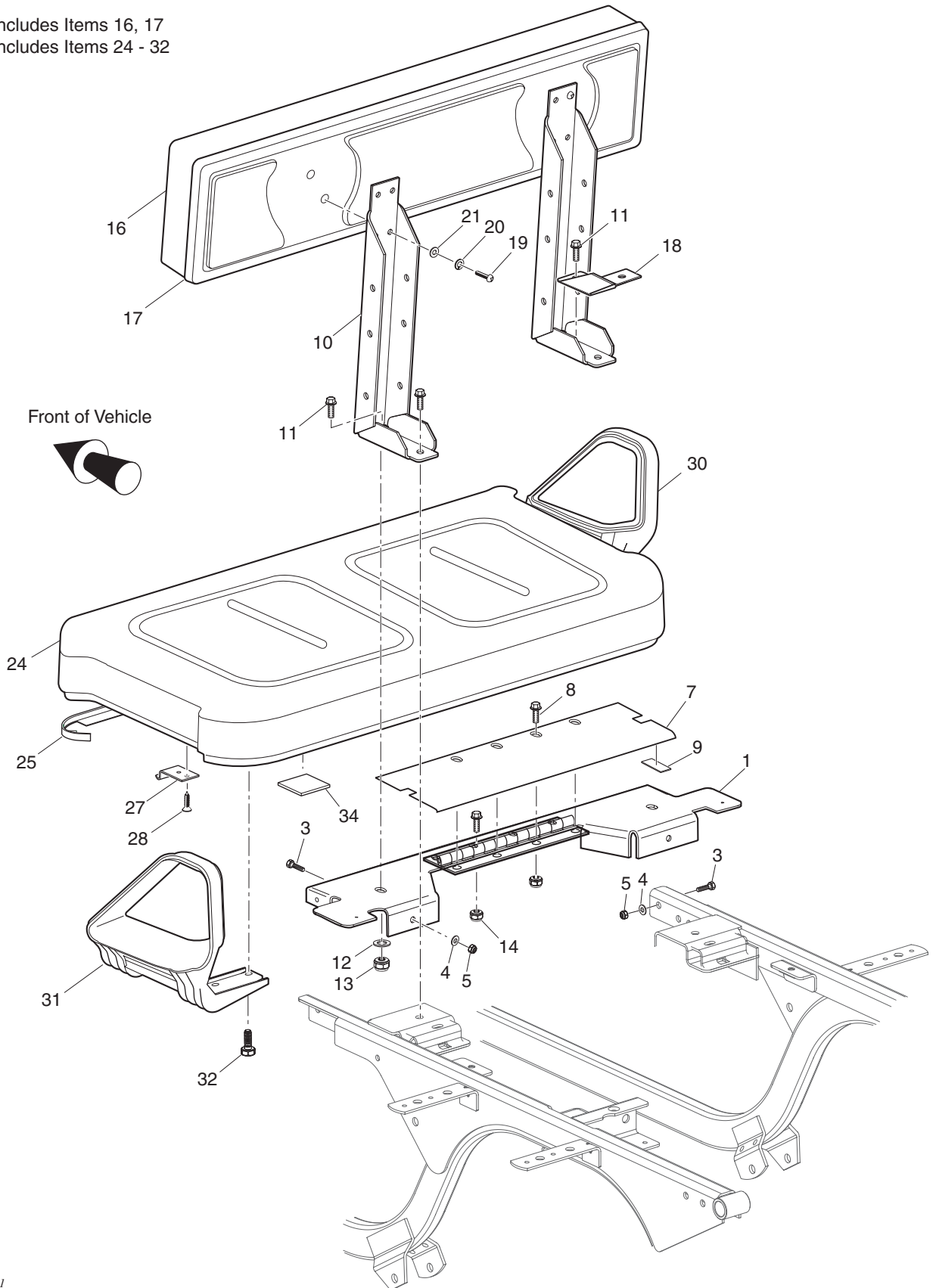
* Indicates a component that is not available as an individual part.

G** Indicates consult Customer Service Department for additional information.

ITEM	PART NO.	1	2	3	4	5	DESCRIPTION	QTY.
90	H5000						DRAIN HOSE, 36" LG	1
91	H5007						HOSE ADAPTER, 3/4" X 1/2"	2
92	H5006						COMBINATION ELBOW	3
93	H5005						COMBINATION TEE	1
94	H1070						HOSE CLAMP	1
95								
96	B10000						TOUCH UP PAINT REPAIR KIT	1
97	EZRAM100010						DOOR ACCESSORY MODULE (LEFT).....	1
98	EZRAM100012						DOOR ACCESSORY MODULE (RIGHT)	1
99	H4009						LOCKING LATCH.....	1
100	B9001						CUP DISPENSER	1
101	B9002						CUP DISPENSOR COVER RING	1
102	B9003						CUP DISPENSOR COVER SPRING	1
103	B6011						AIRPOT, 3.75 LITER (STAINLESS STEEL)	1
104	EZRAM100020						AIRPOT RACK ASSEMBLY	1
105	H600						DOOR HINGE (STAINLESS STEEL).....	1
106	M1002						CUSHIONING ADHESIVE TAPE	1

SEATING

15 - Includes Items 16, 17
23 - Includes Items 24 - 32



Ref Sea 21-1

SEATING

THE USE OF NON U.L. PARTS WILL VOID ANY U.L. LISTING.

When ordering parts, please specify the model and serial number of the product.

* Indicates a component that is not available as an individual part.

G** Indicates consult Customer Service Department for additional information.

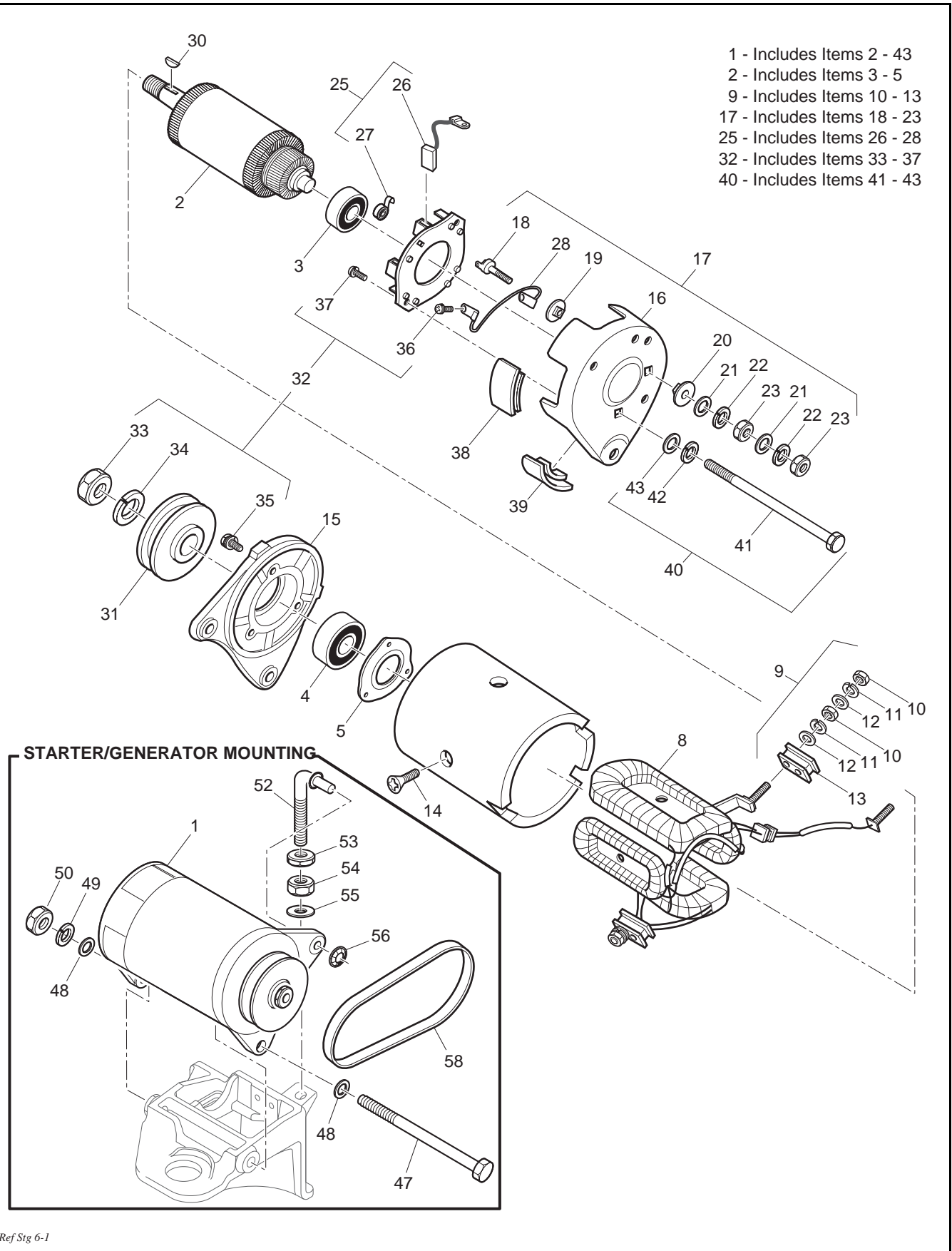
ITEM	PART NO.	1 2 3 4 5	DESCRIPTION	QTY.
1	71446-G02		SEAT BACK SUPPORT	1
2	00715-G2		BOLT, 5/16 - 18 X 13/16" LG	1
3	00438-G8		BOLT, 5/16 - 18 X 1" LG	4
4	00642-G8		WASHER, 5/16"	4
5	11098-G6		LOCK NUT, 5/16 - 18	4
6	33121-G01		HINGE	1
7	71558-G02		ACCESS COVER.....	1
8	00414-G5		BOLT, 1/4 - 20 X 1/2" LG	8
9	14382-G7		NOISE SUPPRESSOR	2
10	75900-G02		SEAT BACK SUPPORT BRACKET	2
11	01006-G1		BOLT, 3/8 - 16 X 1 1/4" LG	4
12	00560-G1		WASHER, 3/8"	4
13	11098-G5		LOCK NUT, 3/8 - 16	4
14	00891-G2		LOCK NUT, 1/4 - 20	8
15	71274-G**		SEAT BACK ASSEMBLY (INCLUDES ITEMS 16, 17).....	1
16	18144-G**		VINYL SEAT BACK COVER	1
17	18868-G4		PLASTIC SEAT BACK COVER (BLACK)	1
18	71577-G01		BED BUMPER BRACKET.....	2
19	16705-G1		SCREW, 1/4 - 20 X 1" LG.....	4
20	00664-G7		LOCK WASHER, 1/4"	4
21	01110-G7		WASHER, 1/4"	4
22				
23	71611-G**		SEAT BOTTOM ASSEMBLY (INCLUDES ITEMS 24 - 32)	1
24	71602-G**		VINYL SEAT BOTTOM COVER	1
25	71012-G01		VINYL TRIM (SEAT BOTTOM).....	1
26				
27	71610-G01		SEAT HINGE	2
28	00720-G08		SCREW, #12 - 14 X 1" LG.	6
29				
30	71701-G01		HIP RESTRAINT (PASSENGER SIDE).....	1

SEATING

THE USE OF NON U.L. PARTS WILL VOID ANY U.L. LISTING.
 When ordering parts, please specify the model and serial number of the product.
 * Indicates a component that is not available as an individual part.
 G** Indicates consult Customer Service Department for additional information.

ITEM	PART NO.	1 2 3 4 5	DESCRIPTION	QTY.
31	71702-G01		HIP RESTRAINT (DRIVER SIDE)	1
32	71204-G01		BOLT, 1/4 - 20 X 7/8" LG.	8
33				
34	17074-G1		BUMPER	2

STARTER / GENERATOR



STARTER / GENERATOR

THE USE OF NON U.L. PARTS WILL VOID ANY U.L. LISTING.

When ordering parts, please specify the model and serial number of the product.

* Indicates a component that is not available as an individual part.

G** Indicates consult Customer Service Department for additional information.

ITEM	PART NO.	1	2	3	4	5	DESCRIPTION	QTY.
1	27065-G01	STARTER / GENERATOR (INCLUDES ITEMS 2 - 43).....					1	
2	26870-G01	ARMATURE (INCLUDES ITEMS 3 - 5)					1	
3	26871-G01	REAR BALL BEARING					1	
4	26872-G01	FRONT BALL BEARING					1	
5	26873-G01	BEARING HOLDER					1	
6								
7								
8	26875-G01	FIELD COIL					1	
9	26876-G01	INSULATING BRUSH ASSEMBLY ('F') (INCLUDES ITEMS 10 - 13).....					2	
10	*	NUT					2	
11	*	LOCK WASHER					2	
12	*	WASHER					2	
13	*	INSULATOR					1	
14	26877-G01	POLE CORE SETSCREW.....					4	
15	26878-G01	FRONT COVER.....					1	
16	27879-G01	REAR COVER					1	
17	26880-G01	TERMINAL ASSEMBLY ('A') (INCLUDES ITEMS 18 - 23).....					2	
18	*	TERMINAL					2	
19	*	INSULATOR					2	
20	*	INSULATOR					2	
21	*	WASHER.....					4	
22	*	LOCK WASHER					4	
23	*	NUT					4	
24								
25	26881-G01	BRUSH HOLDER ASSEMBLY (INCLUDES ITEMS 26 - 28)					1	
26	26658-G01	BRUSH.....					4	
27	26882-G01	BRUSH SPRING					4	
28	26883-G01	BRUSH CONNECTOR.....					2	
29								
30	26884-G01	KEY.....					1	

STARTER / GENERATOR

THE USE OF NON U.L. PARTS WILL VOID ANY U.L. LISTING.

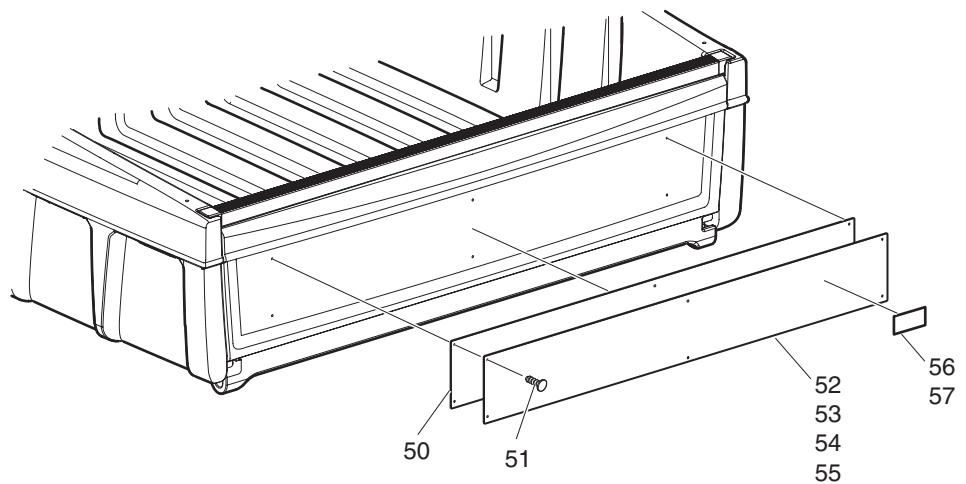
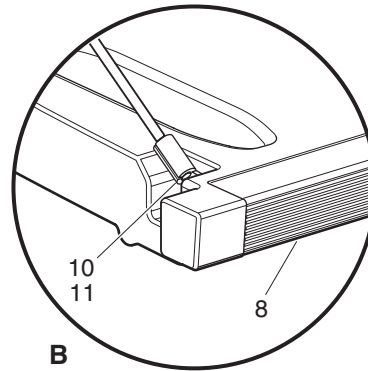
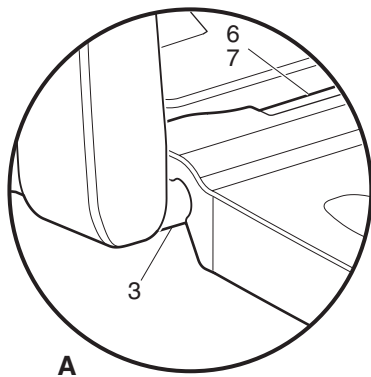
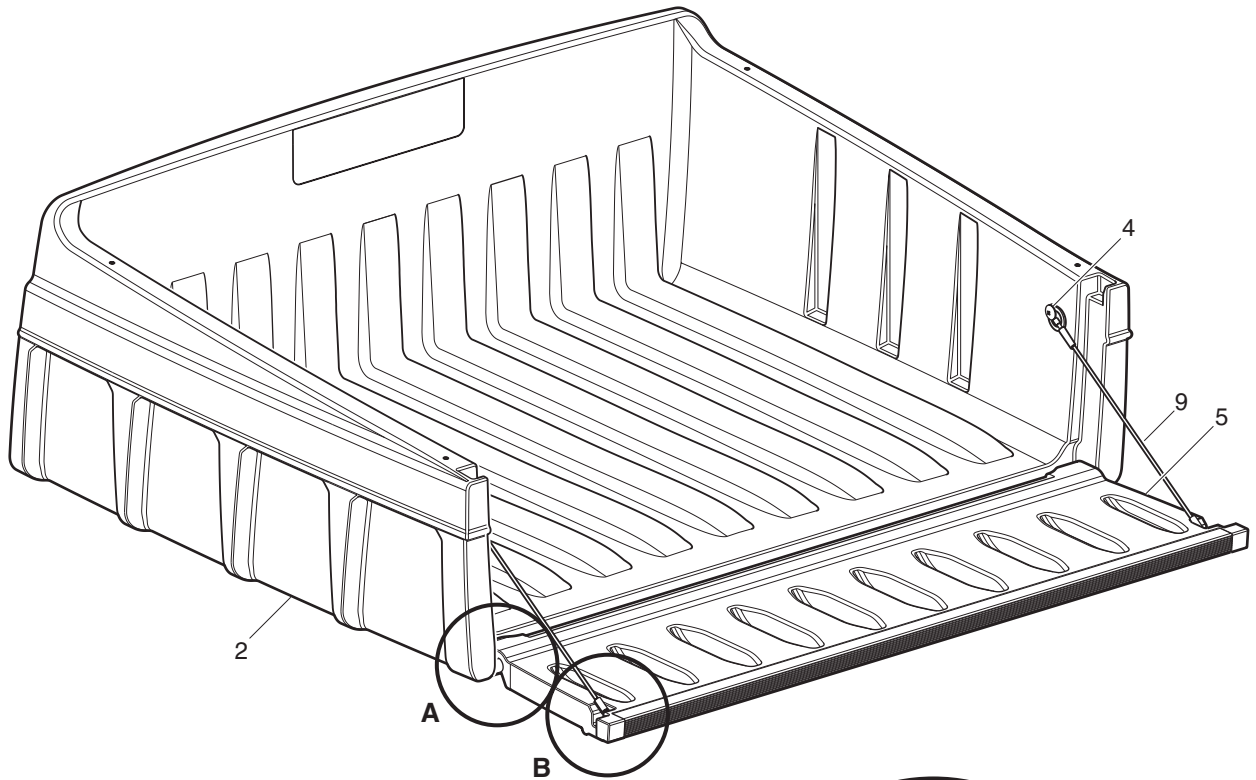
When ordering parts, please specify the model and serial number of the product.

* Indicates a component that is not available as an individual part.

G** Indicates consult Customer Service Department for additional information.

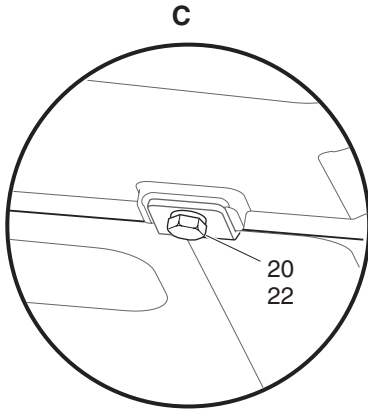
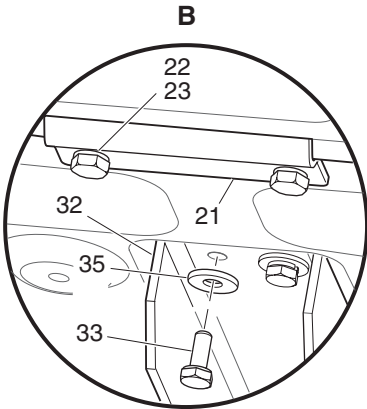
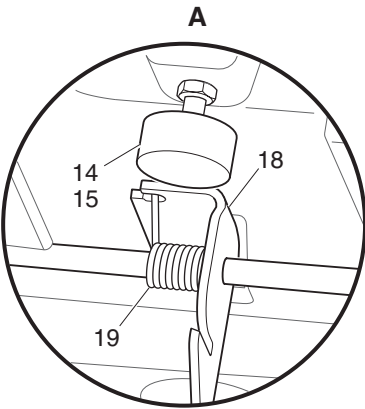
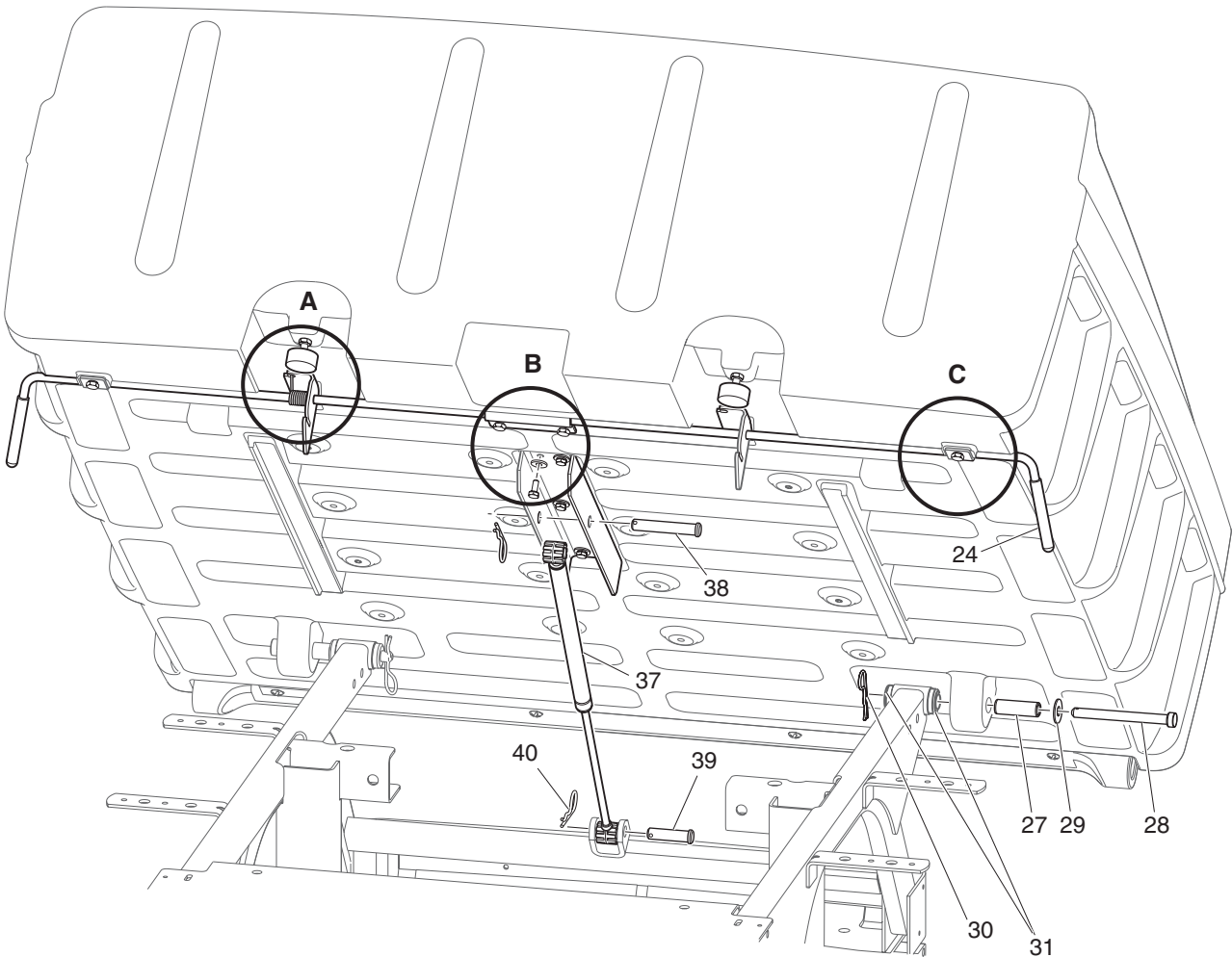
ITEM	PART NO.	1	2	3	4	5	DESCRIPTION	QTY.
31	26885-G01						PULLEY	1
32	26886-G01						BRUSH AND PULLEY HARDWARE KIT (INCLUDES ITEMS 33 - 37).....	1
33	*						NUT	1
34	*						LOCK WASHER	1
35	*						SCREW	3
36	*						SCREW	4
37	*						SCREW	2
38	26887-G01						BRUSH 1 COVER.....	3
39	26888-G01						BRUSH 2 COVER.....	2
40	26889-G01						HOUSING HARDWARE KIT (INCLUDES ITEMS 41 - 43).....	2
41	*						BOLT	2
42	*						LOCK WASHER	2
43	*						WASHER.....	2
44								
45								
46								
47	00938-G4						BOLT, 1/2 - 13 X 8" LG	1
48	00560-G3						WASHER, 1/2"	2
49	00566-G3						LOCK WASHER, 1/2"	1
50	00533-G1						NUT, 1/2 - 13	1
51								
52	28617-G01						STARTER / GENERATOR ADJUSTER.....	1
53	00544-G5						JAM NUT, 3/8 - 16	1
54	00532-G5						NUT, 3/8 - 16	1
55	00560-G1						WASHER, 3/8"	1
56	12064-G4						PUSH NUT, 5/16"	1
57								
58	26414-G01						STARTER / GENERATOR BELT	1

TRUCK BED, PLASTIC



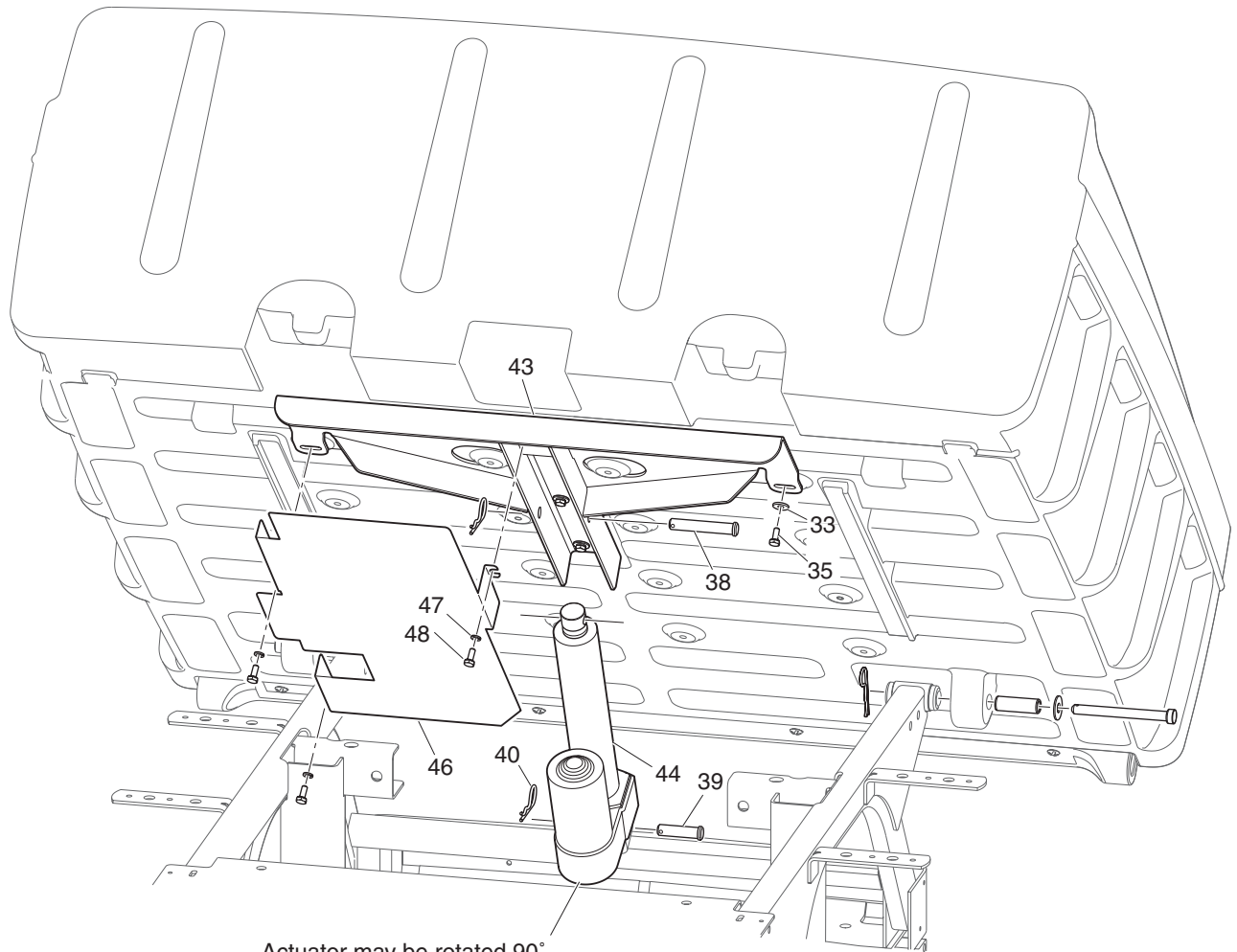
Ref Tbp 21-1

TRUCK BED, PLASTIC



Ref Tbp 21-2

TRUCK BED, PLASTIC



Actuator may be rotated 90°
on some models

TRUCK BED, PLASTIC

Where applicable, THE USE OF NON UL PARTS WILL VOID ANY UL LISTING.
 When ordering parts, please specify the model and serial number of the product.
 * Indicates a component that is not available as an individual part.
 G** Indicates consult Customer Service Department for additional information.

ITEM	PART NO.	1 2 3 4 5	DESCRIPTION	QTY.
1	73451-G01		BED ASSEMBLY, 40" (INCLUDES ITEMS 2 -11).....	1
2	73447-G01		PLASTIC BED, 40"	1
3	73454-G01		PIVOT SHAFT	2
4	73460-G01		SHOULDER BOLT, 1/4 - 20 X 3/4" LG.....	2
5	73448-G01		TAILGATE	1
6	73450-G01		BOWED ANGLE	1
7	16705-G2		SCREW, 1/4 - 20 X 5/8" LG (STAINLESS STEEL).....	4
8	73449-G01		EXTRUSION CHANNEL.....	1
9	73455-G01		TAILGATE CABLE	1
10	71541-G01		TAILGATE CABLE SPACER.....	2
11	16705-G2		SCREW, 1/4 - 20 X 5/8" LG (STAINLESS STEEL).....	2
12				
13				
14	70113-G01		ADJUSTABLE RUBBER BUMPER	2
15	00544-G3		JAM NUT, 5/16 - 18	2
16				
17				
18	71096-G01		BED LATCH	1
19	71538-G01		LATCH TORSION SPRING.....	1
20	71099-G02		KEEPER PLATE.....	2
21	71477-G02		RETAINER BRACKET.....	1
22	01118-G01		SCREW, 1/4 - 20 X 5/8" LG.....	4
23				
24	71704-G01		HANDLE GRIP	2
25				
26				
27	71570-G01		BUSHING	2
28	71571-G01		CLEVIS PIN.....	2
29	15121-G2		WASHER, 1 1/4 X 7/16	2
30	21683-G1		COTTER PIN.....	2

TRUCK BED, PLASTIC

Where applicable, THE USE OF NON UL PARTS WILL VOID ANY UL LISTING.

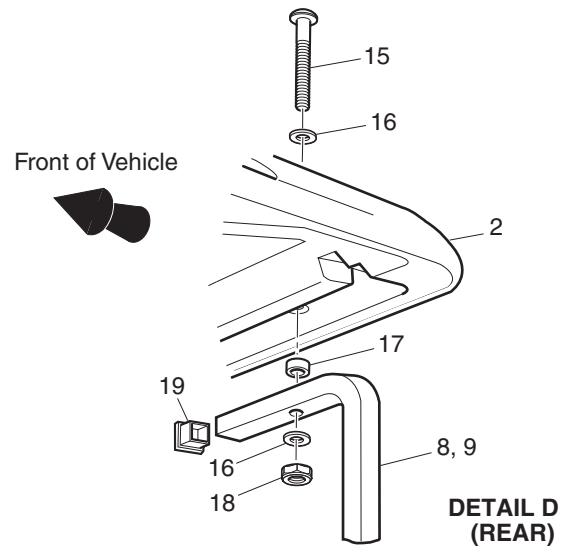
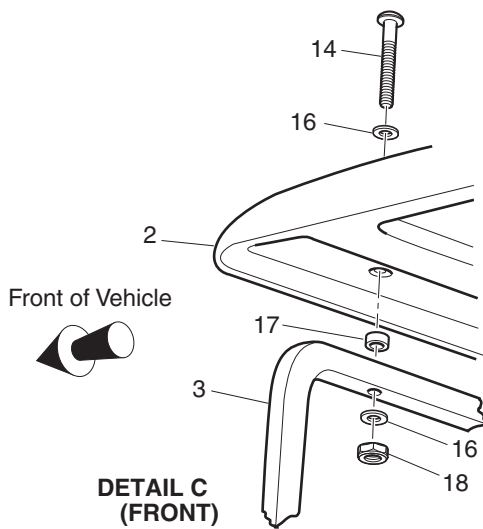
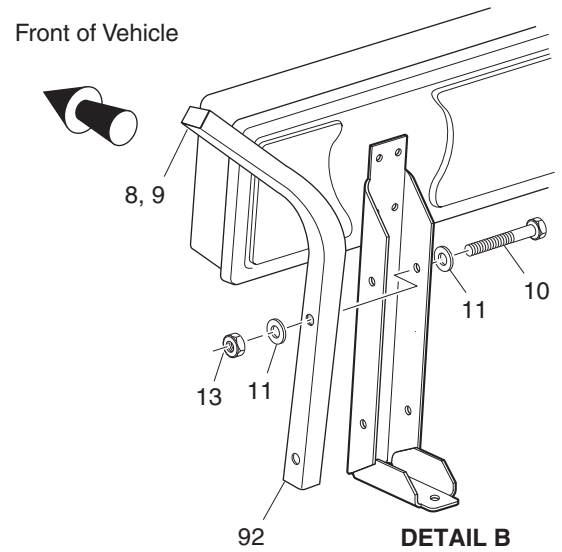
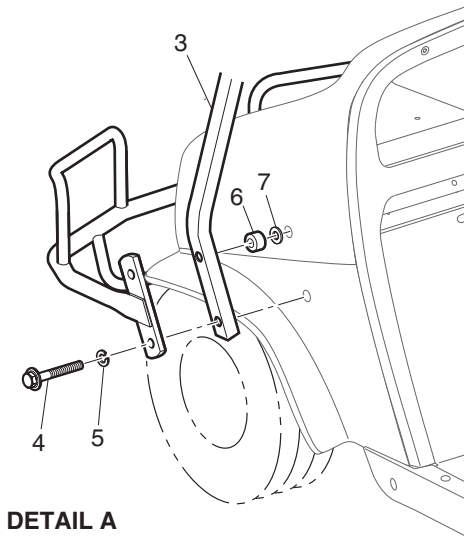
When ordering parts, please specify the model and serial number of the product.

* Indicates a component that is not available as an individual part.

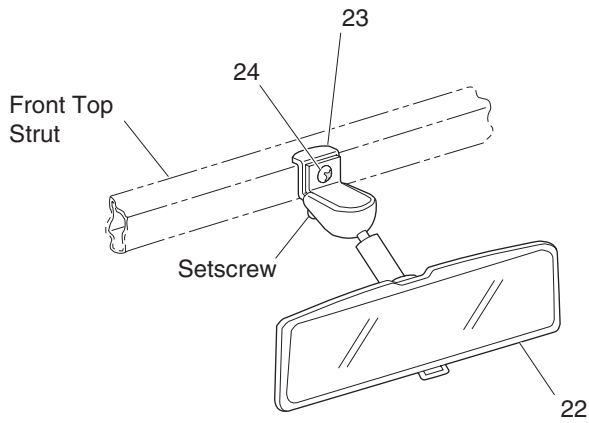
G** Indicates consult Customer Service Department for additional information.

ITEM	PART NO.	1 2 3 4 5	DESCRIPTION	QTY.
31	70291-G01		BUSHING	4
32	71569-G02		SPRING CHANNEL	1
33	01118-G01		SCREW, 1/4 - 20 X 5/8" LG.....	8
34				
35	00642-G7		WASHER, 1/4"	8
36				
37	71537-G02		GAS SPRING	2
38	14443-G10		CLEVIS PIN, 1/2" X 2 27/32" LG.....	1
39	14443-G11		CLEVIS PIN, 1/2" X 1 3/4" LG.....	1
40	21683-G1		COTTER PIN,	2
41				
42				
43	71547-G02		OUTRIGGER CHANNEL	1
44	27612-G02		ELECTRIC ACTUATOR, 12 VOLT, 1500 LBS.....	1
45	27612-G02		ELECTRIC ACTUATOR, 48 VOLT, 1500 LBS.....	1
46	72339-G02		PLASTIC BED HEAT SHIELD (GASOLINE VEHICLE ONLY).....	1
47	00642-G7		WASHER, 1/4"	2
48	01118-G01		SCREW, 1/4-20 X 5/8"	2
49				
50	74925-G01		PLATE	1
51	16816-G2		RIVET.....	6
52	74811-G01		LABEL, (E-Z-GO - MPT).....	1
53	28958-G01		LABEL, (E-Z-GO - IND).....	1
54	28960-G01		LABEL, (COMMANDER).....	1
55	74823-G01		LABEL, (JACOBSEN HAULER).....	1
56	74807-G01		LABEL, (1200).....	1
57	28968-G01		LABEL, (2200).....	1
58	74805-G01		LABEL, (1000).....	1
59	28966-G01		LABEL, (2100).....	1

WEATHER PROTECTION



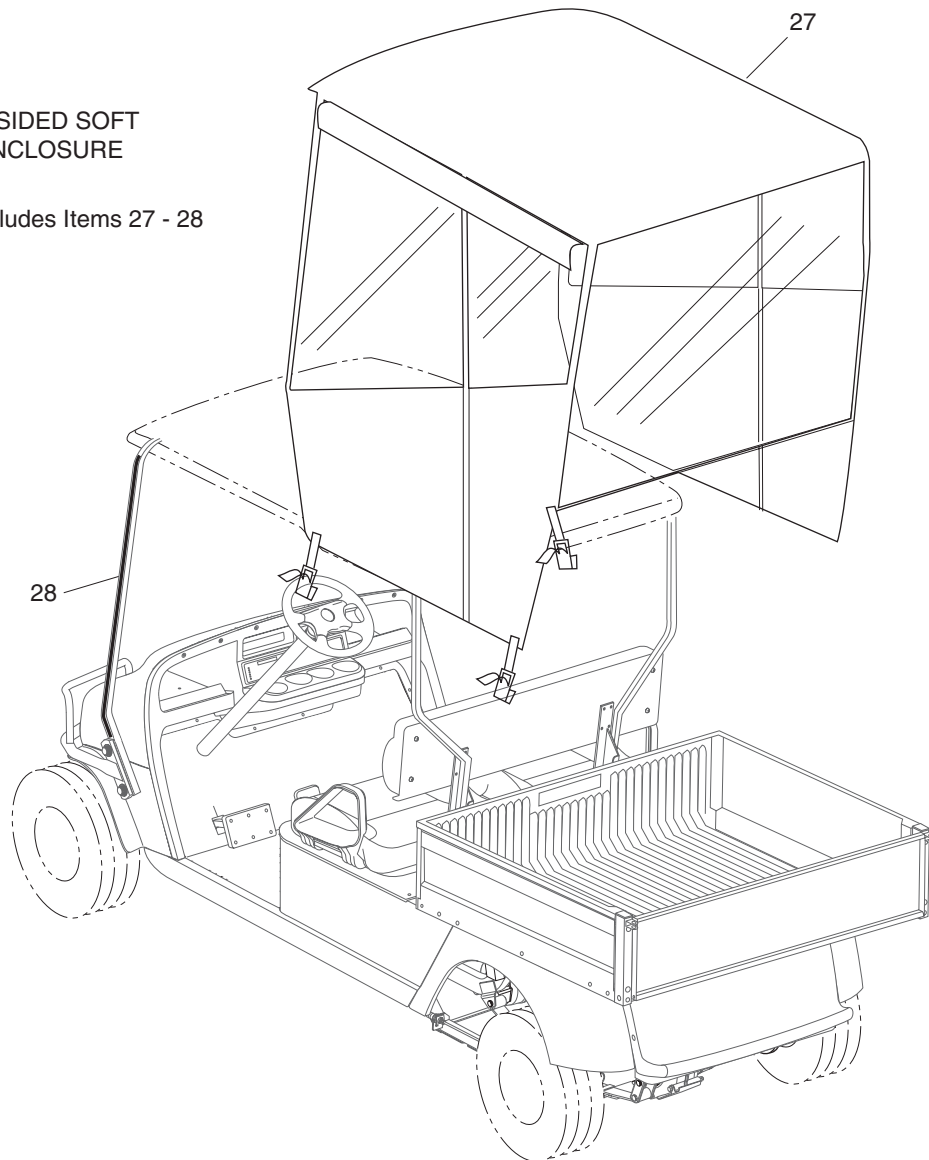
Ref Wea 20-1



REAR VIEW MIRROR

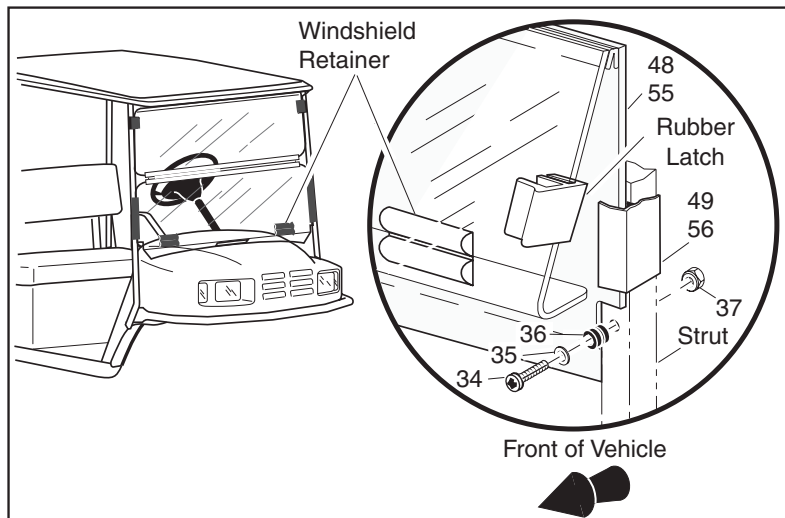
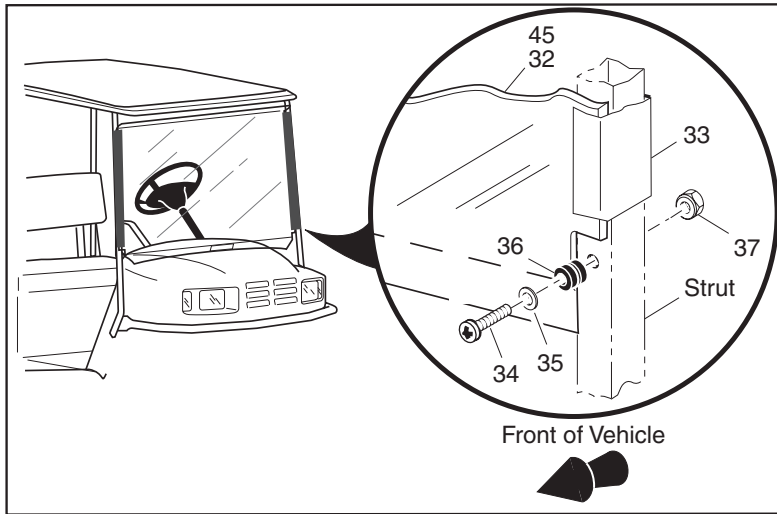
21 - Includes Items 22 - 24

3-SIDED SOFT ENCLOSURE
26 - Includes Items 27 - 28



Ref Wea 20-2

WEATHER PROTECTION



RefWea 20-3

WEATHER PROTECTION

Where applicable, THE USE OF NON UL PARTS WILL VOID ANY UL LISTING.
 When ordering parts, please specify the model and serial number of the product.
 * Indicates a component that is not available as an individual part.
 G** Indicates consult Customer Service Department for additional information.

ITEM	PART NO.	1 2 3 4 5	DESCRIPTION	QTY.
1	75040-G**		SUN TOP KIT (INCLUDES ITEMS 2 - 19)	1
2	27069-G01		SUN TOP	1
3	75045-G05		FRONT STRUT.....	1
4	01035-G01		BOLT, 5/16 - 18 X 2 1/4" LG.....	4
5	00905-G8		LOCK WASHER, 5/16"	4
6	75048-G01		SPACER, 1/2"	2
7	00570-G2		WASHER, 5/16"	6
8	75838-G04		REAR STRUT (PASSENGER SIDE).....	1
9	75838-G03		REAR STRUT (DRIVER SIDE).....	1
10	00685-G7		BOLT, 5/16 - 18 X 1 3/4" LG.....	4
11	00660-G8		WASHER, 5/16"	8
12				
13	11098-G6		LOCK NUT, 5/16 - 18	4
14	00753-G5		SCREW, 1/4 - 20 X 2" LG (STAINLESS STEEL).....	2
15	00753-G6		SCREW, 1/4 - 20 X 2 1/4" LG (STAINLESS STEEL).....	2
16	01110-G01		WASHER, 1/4" (STAINLESS STEEL).....	8
17	75051-G01		SPACER	4
18	00654-G2		LOCK NUT, 1/4 - 20	4
19	19853-G1		END CAP, 1"	2
20				
21	19528-G2		REAR VIEW MIRROR KIT (REQUIRES SUN TOP) (INCLUDES ITEMS 22 - 24).....	1
22	19496-G1		REAR VIEW MIRROR	1
23	19502-G2		SUPPORT BRACKET.....	1
24	19527-G1		SCREW, #8 - 32 X 5/8" LG (STAINLESS STEEL).....	1
25				
26	75367-G**		3-SIDED SOFT ENCLOSURE (REQUIRES SUN TOP) (INCL ITEMS 27 - 28)	1
27	*		ENCLOSURE.....	1
28	*		VELCRO	AR
29				

WEATHER PROTECTION

Replacement parts for the windshield may be obtained from Eagle Parts, Inc. 1411 Marvin Griffin Rd. Augusta, GA 30906. Telephone (706) 790-6687.

* Indicates a component that is not available as an individual part.

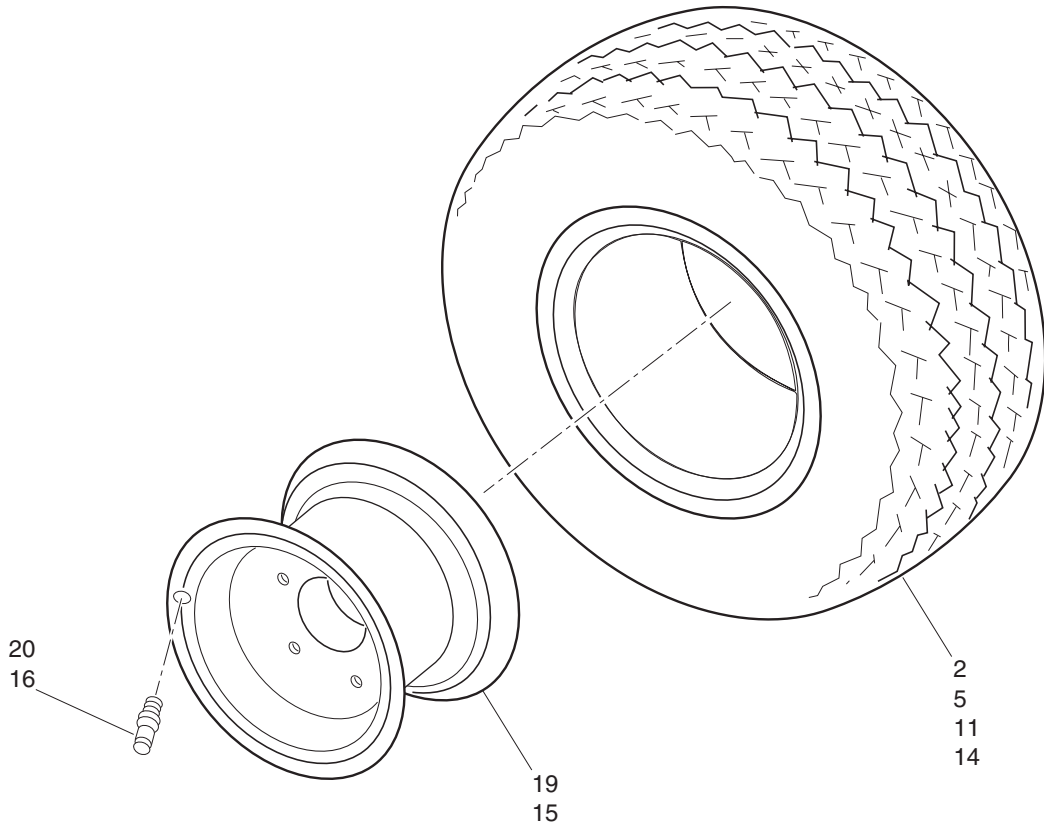
G** Indicates consult Customer Service Department for additional information.

ITEM	PART NO.	1	2	3	4	5	DESCRIPTION	QTY.
30								
31	71966-G01						WINDSHIELD KIT (FULL) (INCLUDES ITEMS 32 - 38)	1
32	71954-G01						WINDSHIELD (FULL) (LEXAN)	1
33	EGWHC12						SASH, 26" LG.	2
34	EGWHS12						BOLT, 1/4 - 20 X 1 3/4" LG. (STAINLESS STEEL)	2
35	EGWHG12						WASHER, 1/4" (STAINLESS STEEL)	4
36	EGWHG13						RUBBER GROMMET	2
37	EGWHN12						LOCK NUT, 1/4 - 20 (STAINLESS STEEL)	2
38	EGWHL14						SAFETY LABEL.....	1
39								
40								
41								
42								
43								
44	71966-G03						WINDSHIELD KIT (FULL) (INCLUDES ITEMS 45, 33 - 37)	1
45	71960-G01						WINDSHIELD (FULL)	1
46								
47	71966-G04						WINDSHIELD KIT (SPLIT) (INCLUDES ITEMS 48, 49, 34 - 37)	1
48	71961-G01						WINDSHIELD (SPLIT).....	1
49	EGWHC10						SASH, 12" LG.	2
50								
51								
52								
53								
54	71966-G02						WINDSHIELD KIT (SPLIT) (INCLUDES ITEMS 55, 56, 34 - 37)	1
55	71955-G01						WINDSHIELD (SPLIT) (LEXAN).....	1
56	EGWHC10						SASH, 12" LG.	2

WHEELS AND TIRES

- 1 - Includes Items 2, 19, 20
- 4 - Includes Items 5, 19, 20
- 10 - Includes Items 11, 19, 20
- 13 - Includes Items 14, 15, 16

Tire design may vary by Part Number



Ref Whl 20-1



GOLD / SILVER SPOKE HUBCAP
22, 23

Ref Whl 20-2

WHEELS AND TIRES

When ordering parts, please specify the model and serial number of the product.

* Indicates a component that is not available as an individual part.

G** Indicates consult Customer Service Department for additional information.

ITEM	PART NO.	1 2 3 4 5	DESCRIPTION	QTY.
1	28757-G01		TIRE AND WHEEL ASSEMBLY (LINKS 18 X 8.5 - 8) (INCLUDES ITEMS 2, 19, 20).....	A/R
2	28764-G01		TIRE (LINKS 18 X 8.5 - 8)	A/R
3				
4	28757-G03		WHEEL AND TIRE ASSEMBLY (TURF SAVER 18 X 8.5 - 8) (INCLUDES ITEMS 5, 19, 20).....	A/R
5	28764-G03		TIRE (TURF-SAVER 18 X 8.5 - 8)	A/R
6				
7				
8				
9				
10	28758-G01		WHEEL AND TIRE ASSEMBLY (USA TRAIL 6-PLY 18.5 X 8.5 - 8) (INCLUDES ITEMS 11, 19, 20)	A/R
11	28764-G06		TIRE (USA TRAIL 18.5 X 8.5 - 8)	A/R
12				
13	27784-G02		WHEEL AND TIRE ASSEMBLY, USA TRAIL (INCLUDES ITEMS 14, 15 16)....	A/R
14	27784-G04		CARLISLE TIRE (USA TRAIL 5.70 X 8).....	A/R
15	33678-G01		WHEEL RIM (4 LUG).....	A/R
16	26482-G01		VALVE STEM.....	A/R
17				
18				
19	28759-G01		WHEEL RIM (4 LUG).....	A/R
20	11657-G2		VALVE STEM.....	A/R
21				
22	19241-G*		GOLD SPOKE HUBCAP (OPTIONAL)	A/R
23	19241-G*		SILVER SPOKE HUBCAP (OPTIONAL)	A/R

SPECIALTY PRODUCTS

SPECIALTY PRODUCTS

SPECIALTY PRODUCTS

SPECIAL TOOLS	PART NO.
HIGH RESISTANCE SPARK PLUG WIRE SET	26733-G02
CLUTCH PULLER (DRIVE)	19779-G2
FLYWHEEL PULLER	27111-G01
CURRENT INDICATOR	16489-G2
DIGITAL MULTI-METER	27481-G01
SLIDE HAMMER (AXLE/HUB REMOVAL)	15947-G1
SLIDE HAMMER (AXLE REMOVAL ONLY)	18753-G1
COMPRESSION TESTER	72524-G01
FEELER GAUGE	72525-G01
TACHOMETER	72526-G01

ENGINE OIL	PART NO.
4 CYCLE ENGINE OIL, 5 GALLON (19 LITER)	25730-G03
4 CYCLE ENGINE OIL, 12 QUART CASE	25730-G04
4 CYCLE ENGINE OIL, 1 QUART BOTTLE (950 ML)	25730-G06

TOUCH UP PAINT	PART NO.
PEN 3 OUNCE (89 ML) - HUNTER GREEN	28432-G02
PEN 3 OUNCE (89 ML) - CHAMPAGNE BEIGE	28432-G01
PEN 3 OUNCE (89 ML) - WHITE	28432-G05
PEN 3 OUNCE (89 ML) - INDUSTRIAL YELLOW	28432-G03
PEN 3 OUNCE (89 ML) - ORANGE	28432-G04
PEN 3 OUNCE (89 ML) - STEEL BLUE PEARL	28432-G24
PEN 3 OUNCE (89 ML) - OLIVE GREEN	28432-G**
PEN 3 OUNCE (89 ML) - CAMOUFLAGE PAINT (THREE PENS)	75831-G01
AEROSOL 12 OUNCE (360 ML) - HUNTER GREEN	28140-G09
AEROSOL 12 OUNCE (360 ML) - CHAMPAGNE BEIGE	28140-G15
AEROSOL 12 OUNCE (360 ML) - WHITE	28140-G03
AEROSOL 12 OUNCE (360 ML) - INDUSTRIAL YELLOW	28140-G14
AEROSOL 12 OUNCE (360 ML) - ORANGE	28140-G13
AEROSOL 12 OUNCE (360 ML) - STEEL BLUE PEARL	28140-G**
AEROSOL 12 OUNCE (360 ML) - OLIVE GREEN	28140-G**

SPECIALTY PRODUCTS

MAINTENANCE PRODUCTS	PART NO.
FORMULA 40 VINYL-COAT® - WHITE	28166-G01
PLEXUS® CLEANER, 7 OUNCE (210 ML) (FOR WINDSHIELDS)	28433-G01
PLEXUS® CLEANER, 13 OUNCE (380 ML) (FOR WINDSHIELDS)	28433-G02
BATTERY PROTECTOR, 14 OUNCE (410 ML) SPRAY	75500-G01
CARBURETOR & CHOKE CLEANER, 15 OUNCE (440 ML) SPRAY	75501-G01
WHITE LITHIUM GREASE, 14 OUNCE (410 ML) SPRAY	75502-G01
PENETRANT/LUBRICANT, 15 OUNCE (440 ML) SPRAY	75503-G01
MULTI-PURPOSE CLEANER & DEGREASER, 14 OUNCE (410 ML) SPRAY	75504-G01
MULTI-PURPOSE HAND CLEANER, 32 OUNCE (950 ML) LIQUID	75505-G01
BATTERY CLEANER, 32 OUNCE (950 ML) WITH TRIGGER SPRAYER	75506-G01
BIO-DEGRADABLE CLEANER, 32 OUNCE (950 ML) WITH TRIGGER SPRAYER	75507-G01
MULTI-PURPOSE VALUE PACK	75508-G01
<ul style="list-style-type: none">• BATTERY PROTECTOR, 4 OUNCE (120 ML) SPRAY• PENETRANT/LUBRICANT, 4 OUNCE (120 ML) SPRAY• WHITE LITHIUM GREASE, 4 OUNCE (120 ML) SPRAY• CARBURETOR & CHOKE CLEANER, 4 OUNCE (120 ML) SPRAY	

SPECIALTY PRODUCTS

OPTIONS/ACCESSORIES

OPTIONS/ACCESSORIES

OPTIONS/ACCESSORIES

ITEM	KIT NO.	COMMENTS
ASHTRAY KIT	75109-G04	See BODY
BALL HITCH KIT	74492-G0*	See BODY
CAB (BALL CAGE)	75853-G0*	See CAB
CAB DOOR SET	75856-G0*	See CAB
CAB DOOR SET (VINYL)	75855-G01	See CAB
CAB	75854-G0*	See CAB
CAB SWITCH PANEL	74250-G01	See CAB
CLEVIS HITCH KIT	74492-G0*	See BODY
DEFROSTER/COOLING FAN	74248-G01	See CAB
ELECTRIC DUMP KIT	74658-G04	See TRUCK BED
GLOVE BOX DOOR	75456-G0*	See BODY
HOUR METER KIT	75114-G02	See ELECTRICAL SYSTEM
INSIDE REAR VIEW MIRROR (CAB)	27924-G01	See WEATHER PROTECTION
REAR VIEW MIRROR KIT	19528-G2	See WEATHER PROTECTION
SOFT ENCLOSURE	75367-G0*	See WEATHER PROTECTION
STROBE LIGHT	74245-G01	See CAB
SUN TOP KIT	75040-G0*	See WEATHER PROTECTION
TURN SIGNAL KIT	75107-G02	See ELECTRICAL SYSTEM
WHEEL COVERS (GOLD SPOKE)	19241-G*	See WHEELS AND TIRES
WHEEL COVERS (SILVER SPOKE)	19241-G*	See WHEELS AND TIRES
WINDSHIELD (FULL) (LEXAN-POLYCARBONATE)	71966-G01	See WEATHER PROTECTION
WINDSHIELD (SPLIT) (LEXAN-POLYCARBONATE)	71966-G02	See WEATHER PROTECTION
WINDSHIELD (FULL) (PLEXIGLAS)	71966-G03	See WEATHER PROTECTION
WINDSHIELD (SPLIT) (PLEXIGLAS)	71966-G04	See WEATHER PROTECTION
WINDSHIELD WIPER	74244-G01	See CAB
WORK LIGHTS	74247-G01	See CAB
WORK LIGHT BAR WITH LIGHTS	71323-G01	See ELECTRICAL SYSTEM
WORK LIGHT BAR WITH STROBE	71323-G02	See ELECTRICAL SYSTEM
WORK LIGHT BAR WITH LIGHTS AND STROBE	71323-G03	See ELECTRICAL SYSTEM



A Textron Company

E-Z-GO Division of Textron, Inc.
1451 Marvin Griffin Road, Augusta, Georgia 30906 - 3852 USA
Inside USA Phone: 1-800-241-5855, FAX: 1-800-448-8124
Outside USA Phone: 010-1-706-798-4311, FAX: 010-1-706-771-4609

Copyrighted Material
This manual may not be reproduced in whole or
in part without the express permission of
E-Z-GO Division of Textron, Inc.
Technical Communications Department