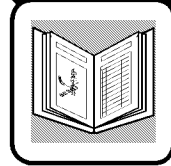


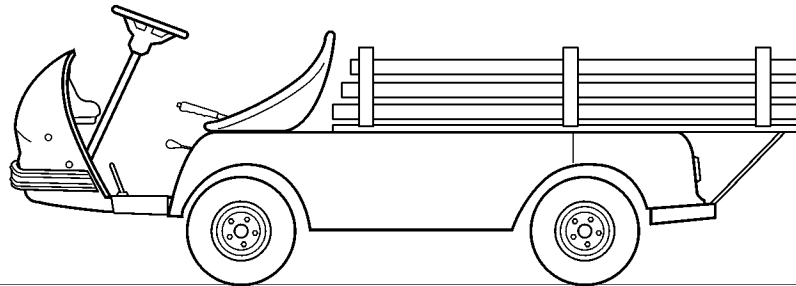
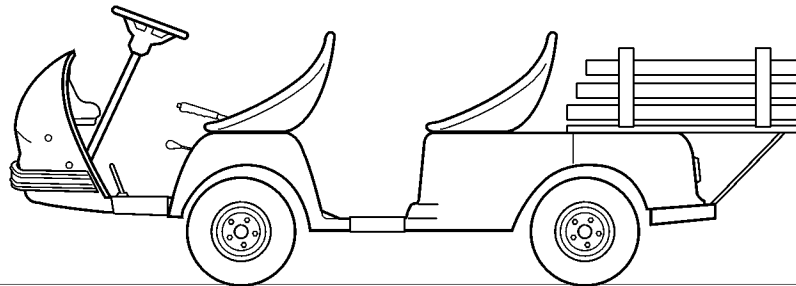
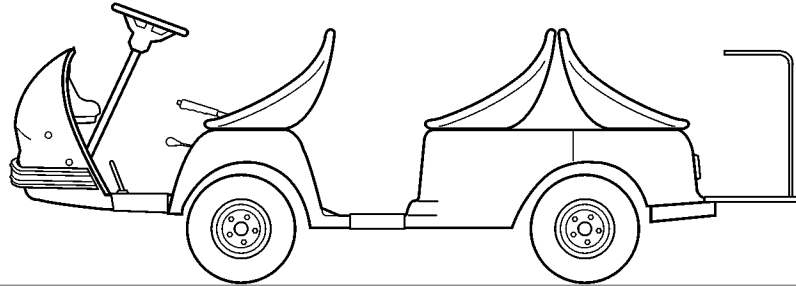
34887-G01



A Textron Company



SERVICE PARTS MANUAL



GASOLINE POWERED CARGO AND PERSONNEL CARRIERS (950 SERIES)

STARTING MODEL YEAR: 1999

REVISED: 12/2002

SERVICE PARTS MANUAL

GASOLINE POWERED CARGO AND PERSONNEL CARRIERS (950 SERIES)

VEHICLES

SHUTTLE 952G

SHUTTLE 954G

SHUTTLE 956G

E-Z-GO Division of Textron reserves the right to make design changes without obligation to make these changes on units previously sold and the information contained in this manual is subject to change without notice.

E-Z-GO Division of Textron is not liable for errors in this manual or for incidental or consequential damages that result from the use of the material in this manual.

CUSTOMER SERVICE DEPARTMENT IN USA PHONE: 1-800-241-5855 FAX: 1-800-448-8124

OUTSIDE USA PHONE: 010-1-706-798-4311, FAX: 010-1-706-771-4609

E-Z-GO DIVISION OF TEXTRON, INC., P.O.BOX 388, AUGUSTA, GEORGIA USA 30903-0388



NOTES

To obtain a copy of the limited warranty applicable to the vehicle, call or write a local distributor, E-Z-GO Branch or the E-Z-GO Warranty Department with vehicle serial number and manufacturer code.

The use of non E-Z-GO parts may void the warranty.

Tampering with or adjusting the governor to permit vehicle to operate at above factory specifications will void the vehicle warranty.

When servicing engines, all adjustments and replacement components must be per original vehicle specifications in order to maintain Federal and State emission certification.

BATTERY PROLONGED STORAGE

All batteries will self discharge over time. The rate of self discharge varies depending on the ambient temperature and the age and condition of the batteries.

A fully charged battery will not freeze in winter temperatures unless the temperature falls below -75° F (-60° C).

TABLE OF CONTENTS

| SECTION | Page No. |
|---|-----------------|
| HOW TO USE THE SERVICE PARTS MANUAL | v |
| ILLUSTRATED PARTS BREAKDOWN | vii |
| ACCELERATOR | A-1 |
| AIR FILTER | B-1 |
| BODY | C-1 |
| BRAKES | D-1 |
| CARBURETOR | E-1 |
| CARGO DECKS AND HITCHES | F-1 |
| CLUTCH | G-1 |
| DIRECTION SELECTOR | H-1 |
| ELECTRICAL | J-1 |
| ENGINE AND MUFFLER | K-1 |
| FRONT SUSPENSION AND BRAKES | L-1 |
| FUEL SYSTEM | M-1 |
| REAR AXLE | N-1 |
| REAR SUSPENSION | P-1 |
| SEATS | Q-1 |
| STARTER / GENERATOR | R-1 |
| STEERING | S-1 |
| WEATHER PROTECTION | T-1 |
| WHEELS AND TIRES | U-1 |
| SPECIALTY PRODUCTS | APPENDIX A-1 |
| OPTIONS/ACCESSORIES | APPENDIX B-1 |

HOW TO USE THE SERVICE PARTS MANUAL

This manual is divided into several sections:

GENERAL INFORMATION

- TABLE OF CONTENTS
- HOW TO USE THE SERVICE PARTS MANUAL

ILLUSTRATED PARTS BREAKDOWN

- Contains illustrations and parts lists for all systems of the vehicle

APPENDIX

- Contains a listing of specialty products and options/accessories

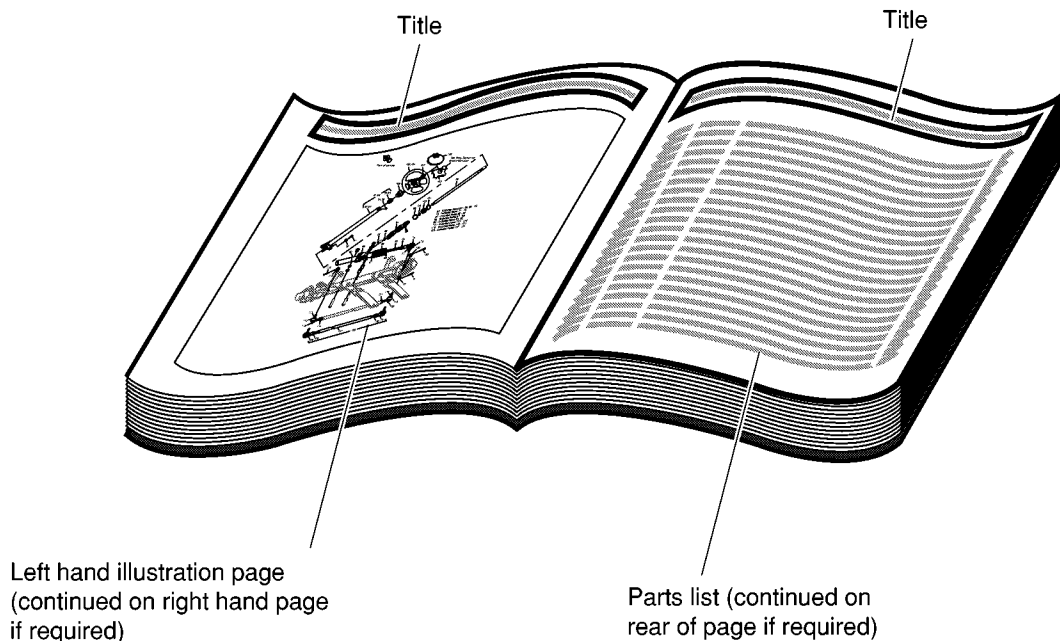
USE OF THE MANUAL

To use this manual, consult the TABLE OF CONTENTS (page iii) or the INDEX OF MAJOR COMPONENTS (located at rear of this manual) to locate the information or illustration required.

Introduction of some revisions varies due to supply of components; therefore, it is possible that various combinations of components may be found that are not directly reflected by each illustration. Consult the illustration that best suits your situation. Locate the serial number plate (see BODY located in the Illustrated Parts Breakdown section of this manual for its location) and note the complete number shown on the plate. It is important that the serial number of your vehicle and its model number be supplied to Service Parts when ordering any replacement components.

Locate the serial number plate (see BODY located in the Illustrated Parts Breakdown section of this manual for its location) and note the complete number shown on the plate.

HOW TO USE THE SERVICE PARTS MANUAL



1. WHEN THE PART NUMBER IS NOT KNOWN

- Determine the function and application of the part required. Turn to the INDEX OF MAJOR COMPONENTS and select the most appropriate component description.
- Turn to the page number indicated and locate the part description in the parts list. Read the full accompanying description for specific information regarding the part that was not shown in the index.
- From the parts list, obtain the item number assigned to it and confirm that the part selected is correct by verifying it with the pictorial representation on the illustrated page.

2. IF YOU KNOW THE PART NUMBER

- Use the INDEX OF MAJOR COMPONENTS to find the page(s) the part number appears on.
- Turn to the page number indicated and locate the part number in the parts list. Refer to the accompanying description for specific information regarding the part.
- From the parts list, obtain the item number assigned to it and confirm that the part selected is correct by verifying it with the pictorial representation on the illustrated page.

Should an asterisk (*) appear in the part number column on the parts list page, read upwards until a part number is found. The part number is the lowest assembly sold by Service Parts. The asterisk (*) indicates that the part depicted is not available for purchase.

NOTE: Descriptions are indented under the assembly that they are used on. That assembly is, in turn listed under the assembly that it is used on. This process is repeated until the highest final assembly is reached.

To facilitate the maintenance and repair of the vehicle, a Technician's Repair and Service Manual is available from the Service Parts Department.

ILLUSTRATED PARTS BREAKDOWN

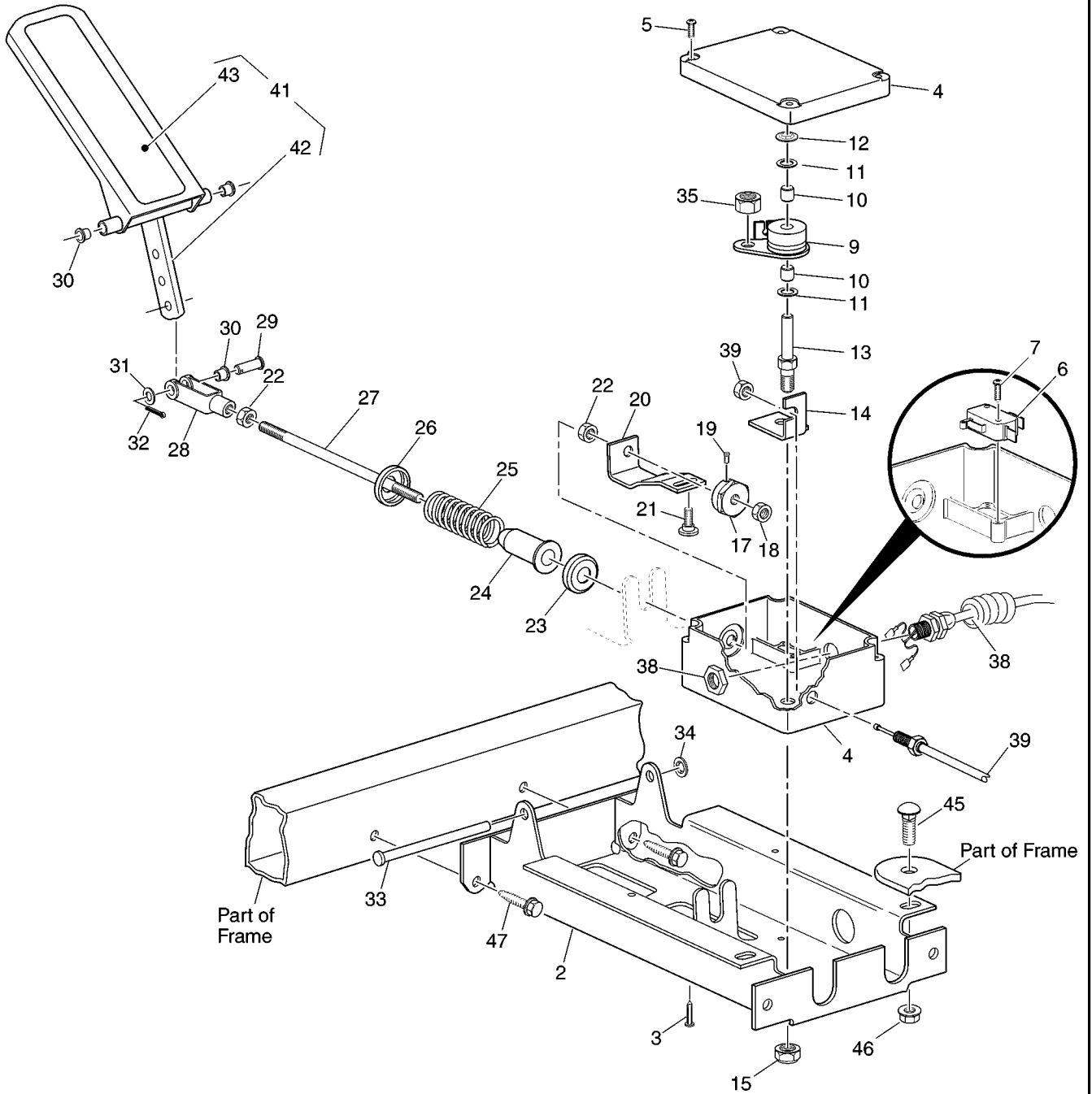
ILLUSTRATED PARTS BREAKDOWN

HOW TO USE THE SERVICE PARTS MANUAL



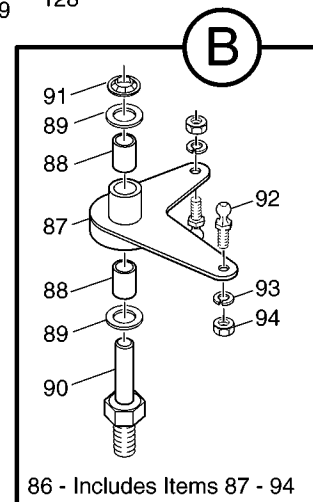
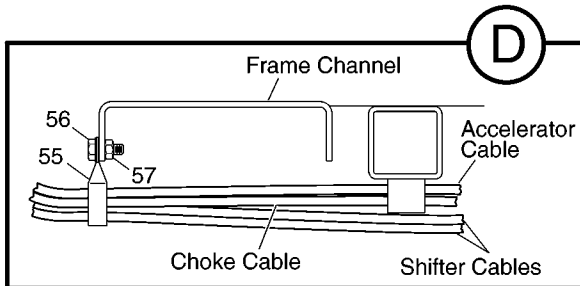
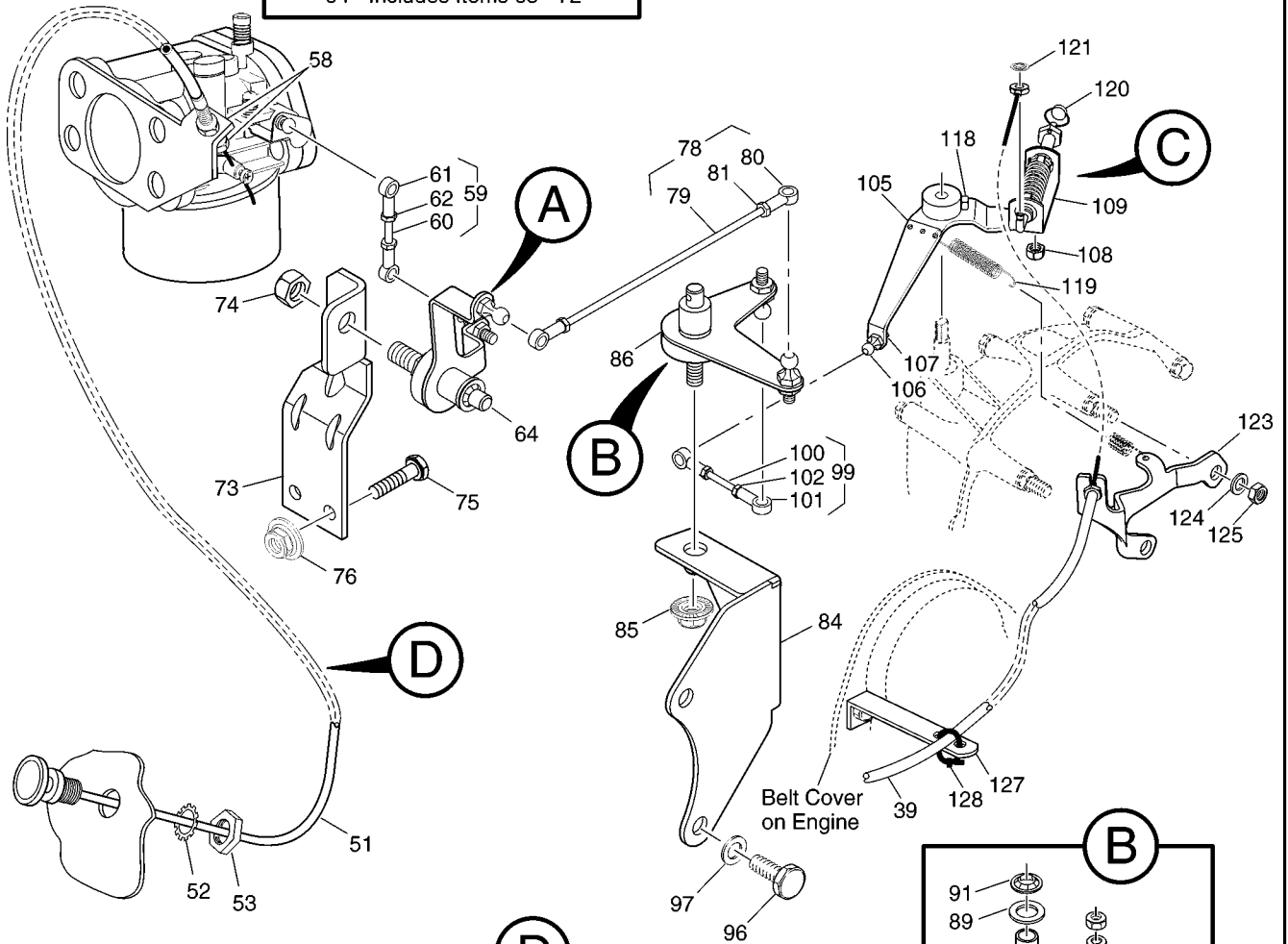
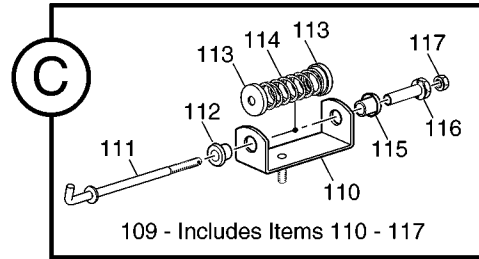
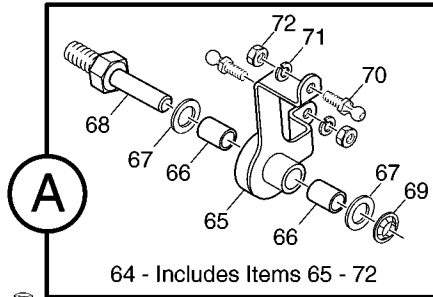
ACCELERATOR

1 - Includes Items 2 - 43



ACCELERATOR

83 - Includes Items 84 - 94
 104 - Includes Items 105 - 117



ACCELERATOR

When ordering parts, please specify the model and serial number of the product.

* Indicates a component that is not available as an individual part.

G** Indicates consult Customer Service Department for additional information.

| ITEM | PART NO. | 1 | 2 | 3 | 4 | 5 | DESCRIPTION | QTY. | |
|------|-----------|--|---|---|---|---|-------------|------|---|
| 1 | 72062-G04 | PEDAL BOX ASSEMBLY (INCLUDES ITEMS 2 - 43) | | | | | | | 1 |
| 2 | 70116-G01 | ACCELERATOR PEDAL BRACKET..... | | | | | | | 1 |
| 3 | 00984-G01 | SCREW, #8 - 10 X 1/2" LG | | | | | | | 4 |
| 4 | 25853-G02 | PEDAL BOX AND COVER | | | | | | | 1 |
| 5 | 00684-G6 | SCREW, #8 - 32 X 3/4" LG (STAINLESS STEEL)..... | | | | | | | 4 |
| 6 | 25861-G01 | MICRO SWITCH..... | | | | | | | 1 |
| 7 | 00982-G01 | SCREW, #4 - 14 X 5/8" LG | | | | | | | 2 |
| 8 | | | | | | | | | |
| 9 | 72066-G01 | CONTROL ARM | | | | | | | 1 |
| 10 | 23860-G1 | BEARING..... | | | | | | | 2 |
| 11 | 24621-G1 | NYLON WASHER, 5/16"..... | | | | | | | 2 |
| 12 | 12064-G1 | PUSH NUT, 5/16"..... | | | | | | | 1 |
| 13 | 25768-G01 | PIVOT ROD | | | | | | | 1 |
| 14 | 72199-G01 | PIVOT BRACKET | | | | | | | 1 |
| 15 | 14390-G1 | LOCK NUT, 3/8 - 24..... | | | | | | | 1 |
| 16 | | | | | | | | | |
| 17 | 72198-G01 | MICRO SWITCH CAM..... | | | | | | | 1 |
| 18 | 00550-G4 | LOCK NUT, 5/16 - 24 | | | | | | | 3 |
| 19 | 00487-G3 | SETSCREW, 1/4 - 20 X 3/8" LG | | | | | | | 1 |
| 20 | 72074-G01 | CONTROL ARM LINK | | | | | | | 1 |
| 21 | 72225-G01 | SHOULDER BOLT, #10 - 24 X 11/16" LG..... | | | | | | | 1 |
| 22 | 00532-G4 | NUT, 5/16 - 24..... | | | | | | | 2 |
| 23 | 17677-G1 | SPRING RETAINER | | | | | | | 1 |
| 24 | 17979-G1 | ACCELERATOR ROD BUSHING | | | | | | | 1 |
| 25 | 73046-G01 | COMPRESSION SPRING | | | | | | | 1 |
| 26 | 17677-G2 | SPRING RETAINER | | | | | | | 1 |
| 27 | 72072-G01 | ACCELERATOR ROD | | | | | | | 1 |
| 28 | 10385-G4 | CLEVIS YOKE (ADJUSTABLE)..... | | | | | | | 1 |
| 29 | 10386-G3 | CLEVIS PIN, 5/16" X 13/16" LG | | | | | | | 1 |
| 30 | 17838-G1 | NYLON BUSHING | | | | | | | 3 |

ACCELERATOR

When ordering parts, please specify the model and serial number of the product.

* Indicates a component that is not available as an individual part.

G** Indicates consult Customer Service Department for additional information.

| ITEM | PART NO. | 1 2 3 4 5 | DESCRIPTION | QTY. |
|------|-----------|-----------|---|------|
| 31 | 17255-G1 | | TEFLON WASHER, 5/16" | 1 |
| 32 | 10387-G3 | | COTTER PIN, 3/32" X 3/4" LG | 1 |
| 33 | 70134-G01 | | PEDAL PIVOT PIN | 1 |
| 34 | 00986-G01 | | PUSH NUT, 5/16" | 1 |
| 35 | 14390-G10 | | LOCK NUT, #10 - 24 | 1 |
| 36 | 12730-G1 | | WHEEL BEARING GREASE (NOT ILLUSTRATED) | A/R |
| 37 | | | | |
| 38 | 34204-G01 | | WIRE HARNESS (PEDAL BOX) | 1 |
| 39 | 34043-G01 | | ACCELERATOR CABLE | 1 |
| 40 | | | | |
| 41 | 34437-G01 | | ACCELERATOR PEDAL ASSEMBLY (INCLUDES ITEMS 42 - 43) | 1 |
| 42 | * | | ACCLERATOR PEDAL | 1 |
| 43 | 71764-G02 | | PEDAL PAD | 1 |
| 44 | | | | |
| 45 | 00827-G8 | | CARRIAGE BOLT, 1/4 - 20 X 1" LG (STAINLESS STEEL) | 2 |
| 46 | 11027-G2 | | LOCK NUT, 1/4 - 20 | 2 |
| 47 | 00715-G2 | | BOLT, 5/16 - 18 X 4/5" LG | 2 |
| 48 | | | | |
| 49 | | | | |
| 50 | | | | |
| 51 | 34042-G01 | | CHOKE CABLE | 1 |
| 52 | 00568-G4 | | LOCK WASHER, 9/16" | 1 |
| 53 | 00545-G4 | | JAM NUT, 9/16 - 18 | 1 |
| 54 | | | | |
| 55 | 27327-G01 | | CLAMP | 1 |
| 56 | 00414-G6 | | BOLT, 1/4 - 20 X 3/4" LG | 1 |
| 57 | 11027-G2 | | LOCK NUT, 1/4 - 20 | 1 |
| 58 | 00544-G4 | | NUT, 5/16 - 24 | 2 |
| 59 | 25737-G01 | | CARBURETOR LINKAGE ROD (INCLUDES ITEMS 60 - 62) | 1 |
| 60 | 23722-G1 | | ADJUSTING ROD (SHORT) | 1 |

ACCELERATOR

When ordering parts, please specify the model and serial number of the product.

* Indicates a component that is not available as an individual part.

G** Indicates consult Customer Service Department for additional information.

| ITEM | PART NO. | 1 | 2 | 3 | 4 | 5 | DESCRIPTION | QTY. |
|------|-----------|---|---|---|---|---|---|------|
| 61 | 24465-G1 | | | | | | BALL JOINT SOCKET | 2 |
| 62 | 00526-G4 | | | | | | NUT, #10 - 32..... | 2 |
| 63 | | | | | | | | |
| 64 | 25760-G01 | | | | | | CARBURETOR LINKAGE BELLCRANK (INCLUDES ITEMS 65 - 72)..... | 1 |
| 65 | 25759-G01 | | | | | | CARBURETOR PIVOT | 1 |
| 66 | 23860-G1 | | | | | | BEARING..... | 2 |
| 67 | 24621-G1 | | | | | | NYLON WASHER, 5/16"..... | 2 |
| 68 | 25768-G01 | | | | | | PIVOT ROD | 1 |
| 69 | 12064-G1 | | | | | | PUSH NUT, 5/16"..... | 1 |
| 70 | 24479-G1 | | | | | | BALL JOINT BALL | 2 |
| 71 | 00565-G5 | | | | | | LOCK WASHER, #10 | 2 |
| 72 | 00526-G4 | | | | | | NUT, #10 - 32..... | 2 |
| 73 | 72197-G01 | | | | | | PIVOT BRACKET..... | 1 |
| 74 | 14390-G1 | | | | | | LOCK NUT, 3/8 - 24 | 1 |
| 75 | 00661-G8 | | | | | | BOLT, 1/4 - 20 X 1" LG (STAINLESS STEEL)..... | 2 |
| 76 | 14390-G4 | | | | | | LOCK NUT, 1/4 - 20 | 2 |
| 77 | | | | | | | | |
| 78 | 25737-G02 | | | | | | THROTTLE LINKAGE ROD ASSEMBLY (INCLUDES ITEMS 79 - 81)..... | 1 |
| 79 | 28250-G01 | | | | | | ADJUSTING ROD (LONG)..... | 1 |
| 80 | 24465-G1 | | | | | | BALL JOINT SOCKET | 2 |
| 81 | 00526-G4 | | | | | | NUT, #10 - 32..... | 2 |
| 82 | | | | | | | | |
| 83 | 25702-G01 | | | | | | GOVERNOR PIVOT BRACKET ASSEMBLY (INCLUDES ITEMS 84 - 94)..... | 1 |
| 84 | 25655-G01 | | | | | | BELLCRANK BRACKET..... | 1 |
| 85 | 14390-G1 | | | | | | LOCK NUT, 3/8 - 24 | 1 |
| 86 | 25763-G01 | | | | | | GOVERNOR PIVOT ASSEMBLY (INCLUDES ITEMS 87 - 94) | 1 |
| 87 | 25762-G01 | | | | | | GOVERNOR PIVOT..... | 1 |
| 88 | 23860-G1 | | | | | | BEARING | 2 |
| 89 | 24621-G1 | | | | | | NYLON WASHER, 5/16" | 2 |
| 90 | 25768-G01 | | | | | | PIVOT ROD..... | 1 |

ACCELERATOR

When ordering parts, please specify the model and serial number of the product.
 * Indicates a component that is not available as an individual part.
 G** Indicates consult Customer Service Department for additional information.

| ITEM | PART NO. | 1 | 2 | 3 | 4 | 5 | DESCRIPTION | QTY. |
|------|-----------|---|---|---|---|---|--|------|
| 91 | 12064-G1 | | | | | | PUSH NUT, 5/16" | 1 |
| 92 | 24479-G1 | | | | | | BALL JOINT BALL | 2 |
| 93 | 00565-G5 | | | | | | LOCK WASHER, #10 | 2 |
| 94 | 00526-G4 | | | | | | NUT, #10 - 32 | 2 |
| 95 | | | | | | | | |
| 96 | 00276-G6 | | | | | | BOLT, 5/16 - 24 X 3/4" LG | 2 |
| 97 | 00565-G8 | | | | | | LOCK WASHER, 5/16" | 2 |
| 98 | | | | | | | | |
| 99 | 25737-G03 | | | | | | GOVERNOR LINKAGE ROD (INCLUDES ITEMS 100 - 102) | 1 |
| 100 | 23722-G1 | | | | | | ADJUSTING ROD | 1 |
| 101 | 24465-G1 | | | | | | BALL JOINT SOCKET | 2 |
| 102 | 00526-G4 | | | | | | NUT, #10 - 32 | 2 |
| 103 | | | | | | | | |
| 104 | 25690-G01 | | | | | | GOVERNOR BELLCRANK ASSEMBLY (INCLUDES ITEMS 105 - 117) | 1 |
| 105 | 25765-G01 | | | | | | GOVERNOR BELLCRANK | 1 |
| 106 | 24479-G1 | | | | | | BALL JOINT BALL | 1 |
| 107 | 00734-G5 | | | | | | LOCK NUT, #10 - 32 | 1 |
| 108 | 14390-G4 | | | | | | LOCK NUT, 1/4 - 20 | 1 |
| 109 | 22751-G2 | | | | | | GOVERNOR BRACKET ASSEMBLY (INCLUDES ITEMS 110 - 117) | 1 |
| 110 | 22752-G1 | | | | | | GOVERNOR BRACKET | 1 |
| 111 | 25274-G1 | | | | | | GOVERNOR ROD | 1 |
| 112 | 22754-G1 | | | | | | BUSHING | 1 |
| 113 | 25661-G01 | | | | | | CUP WASHER | 2 |
| 114 | 23578-G1 | | | | | | COMPRESSION SPRING | 1 |
| 115 | 22754-G2 | | | | | | BUSHING | 1 |
| 116 | 23859-G1 | | | | | | GOVERNOR ADJUSTER | 1 |
| 117 | 00526-G4 | | | | | | NUT, #10 - 32 | 1 |
| 118 | 00491-G4 | | | | | | SETSCREW, 1/4 - 20 X 1/2" LG | 2 |
| 119 | 25738-G01 | | | | | | SPRING | 1 |
| 120 | 25286-G1 | | | | | | SAFETY SEAL, 3/8" | 1 |

ACCELERATOR

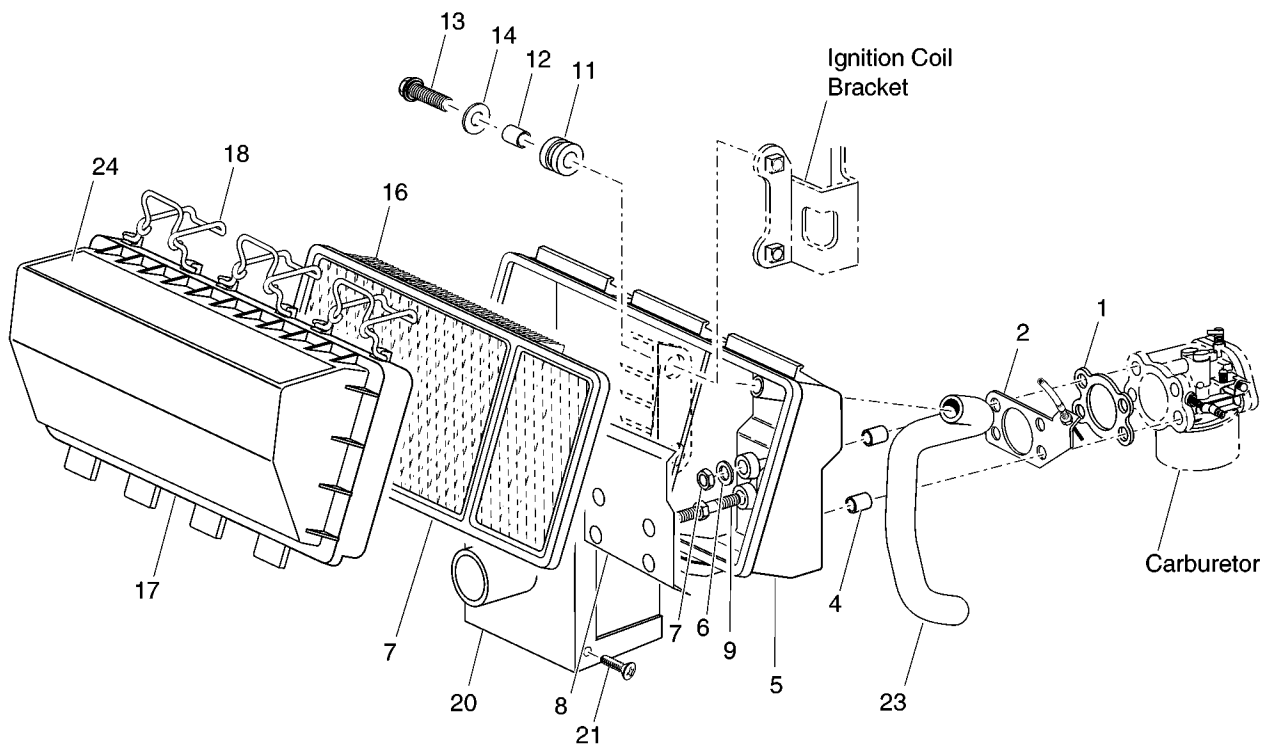
When ordering parts, please specify the model and serial number of the product.

* Indicates a component that is not available as an individual part.

G** Indicates consult Customer Service Department for additional information.

| ITEM | PART NO. | 1 2 3 4 5 | DESCRIPTION | QTY. |
|------|-----------|-----------|---------------------------------|------|
| 121 | 12064-G3 | | PUSH NUT, 3/16" | 1 |
| 122 | | | | |
| 123 | 25653-G01 | | ACCELERATOR CABLE BRACKET | 1 |
| 124 | 26826-G01 | | LOCK WASHER, M8 | 2 |
| 125 | 26827-G01 | | NUT, M8 X 1.25 MM | 2 |
| 126 | | | | |
| 127 | 72055-G01 | | ACCELERATOR CABLE BRACKET | 1 |
| 128 | 17618-G1 | | WIRE TIE | 7 |

AIR FILTER



AIR FILTER

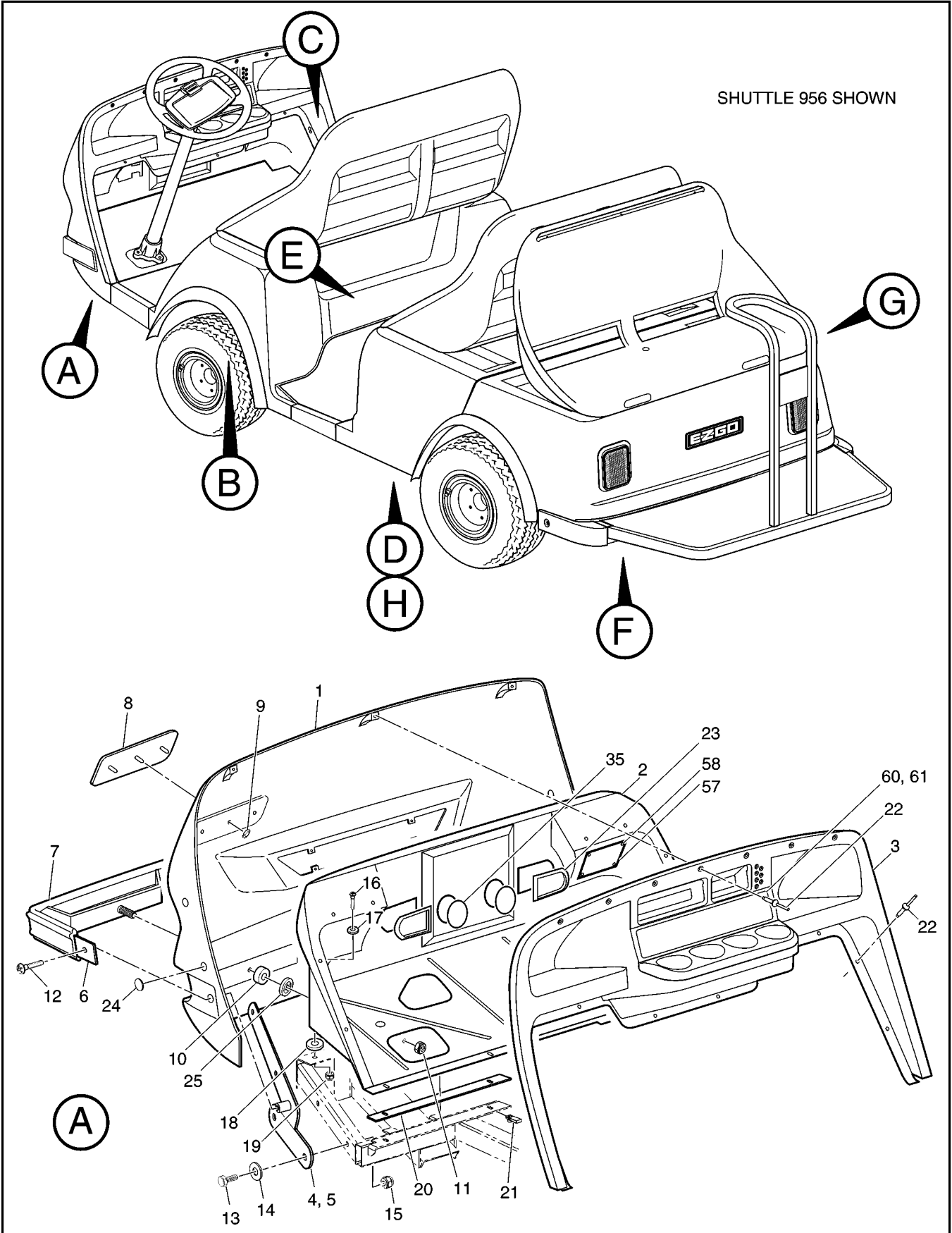
When ordering parts, please specify the model and serial number of the product.

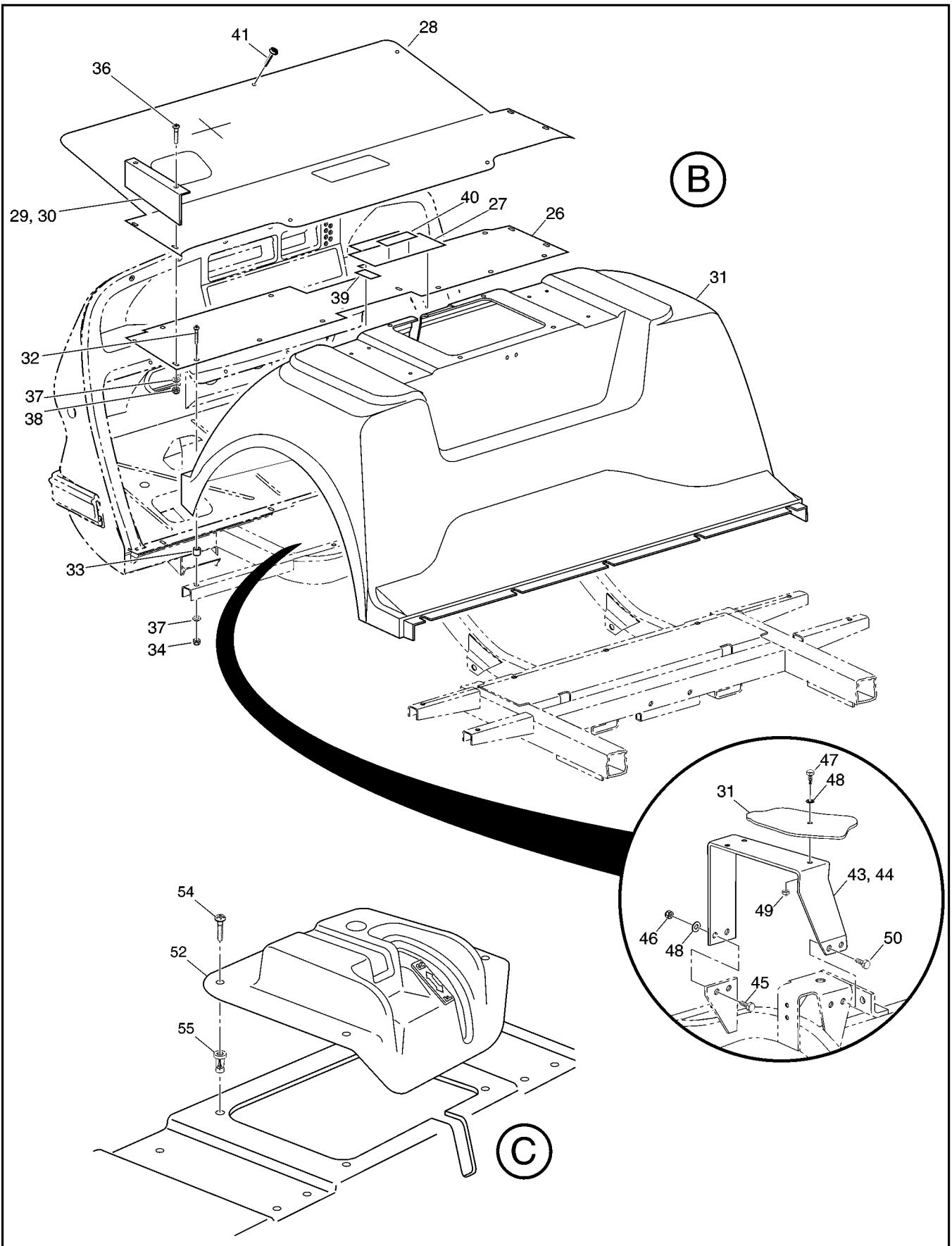
* Indicates a component that is not available as an individual part.

G** Indicates consult Customer Service Department for additional information.

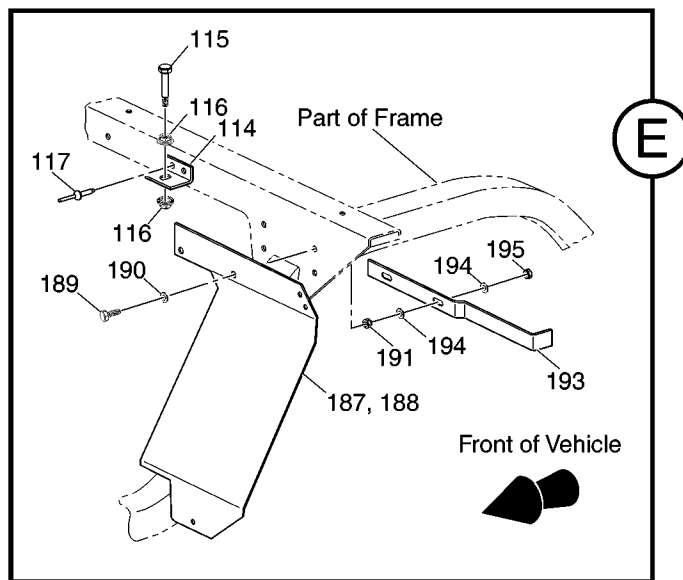
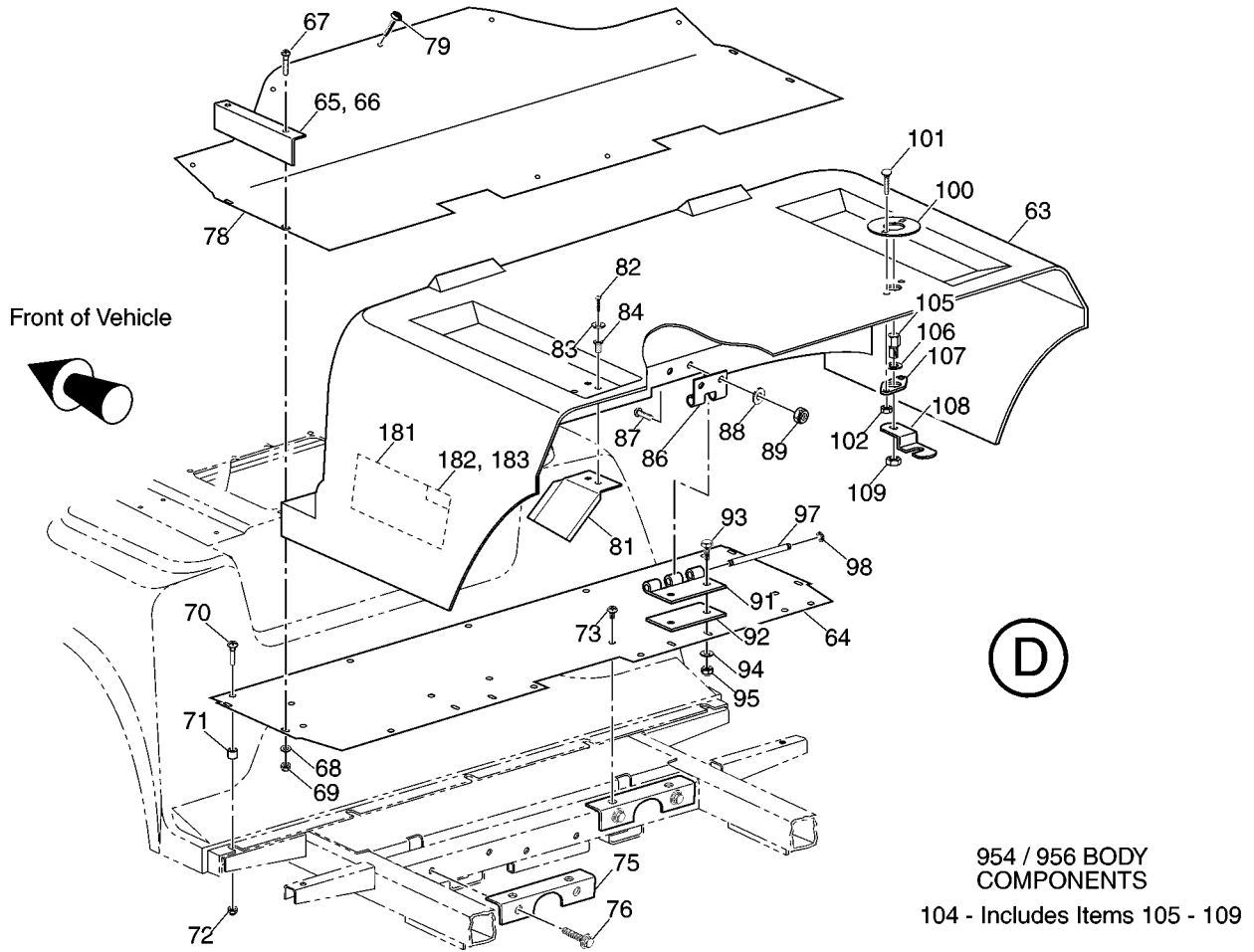
| ITEM | PART NO. | 1 2 3 4 5 | DESCRIPTION | QTY. |
|------|-----------|-----------|--|------|
| 1 | 26727-G01 | | CARBURETOR / AIR BOX GASKET | 2 |
| 2 | 26728-G01 | | CHOKE BRACKET..... | 1 |
| 3 | | | | |
| 4 | 23726-G6 | | SPACER, 7/16"..... | 4 |
| 5 | 72178-G02 | | HOUSING..... | 1 |
| 6 | 51400-G1 | | LOCK WASHER, 6 MM..... | 2 |
| 7 | 13632-G1 | | NUT, M6 X 1 | 4 |
| 8 | 72529-G01 | | BAFFLE..... | 1 |
| 9 | 72514-G01 | | STUD, M6 X 1 X 39 MM LG. | 2 |
| 10 | | | | |
| 11 | 72147-G01 | | HOUSING MOUNT GROMMET..... | 2 |
| 12 | 23726-G7 | | SPACER, 9/16"..... | 2 |
| 13 | 26671-G01 | | BOLT AND WASHER, M6 X 1 X 30 MM LG | 2 |
| 14 | 26701-G01 | | WASHER, 6.5 MM..... | 2 |
| 15 | | | | |
| 16 | 72368-G01 | | AIR FILTER ELEMENT | 1 |
| 17 | 72179-G02 | | AIR FILTER COVER..... | 1 |
| 18 | 72145-G01 | | LATCH..... | 3 |
| 19 | | | | |
| 20 | 72146-G02 | | INLET COVER | 1 |
| 21 | 00614-G5 | | SCREW, #8 - 18 X 5/8" LG..... | 6 |
| 22 | | | | |
| 23 | 72151-G01 | | PCV HOSE..... | 1 |
| 24 | 74093-G01 | | LABEL (WARNING)..... | 1 |

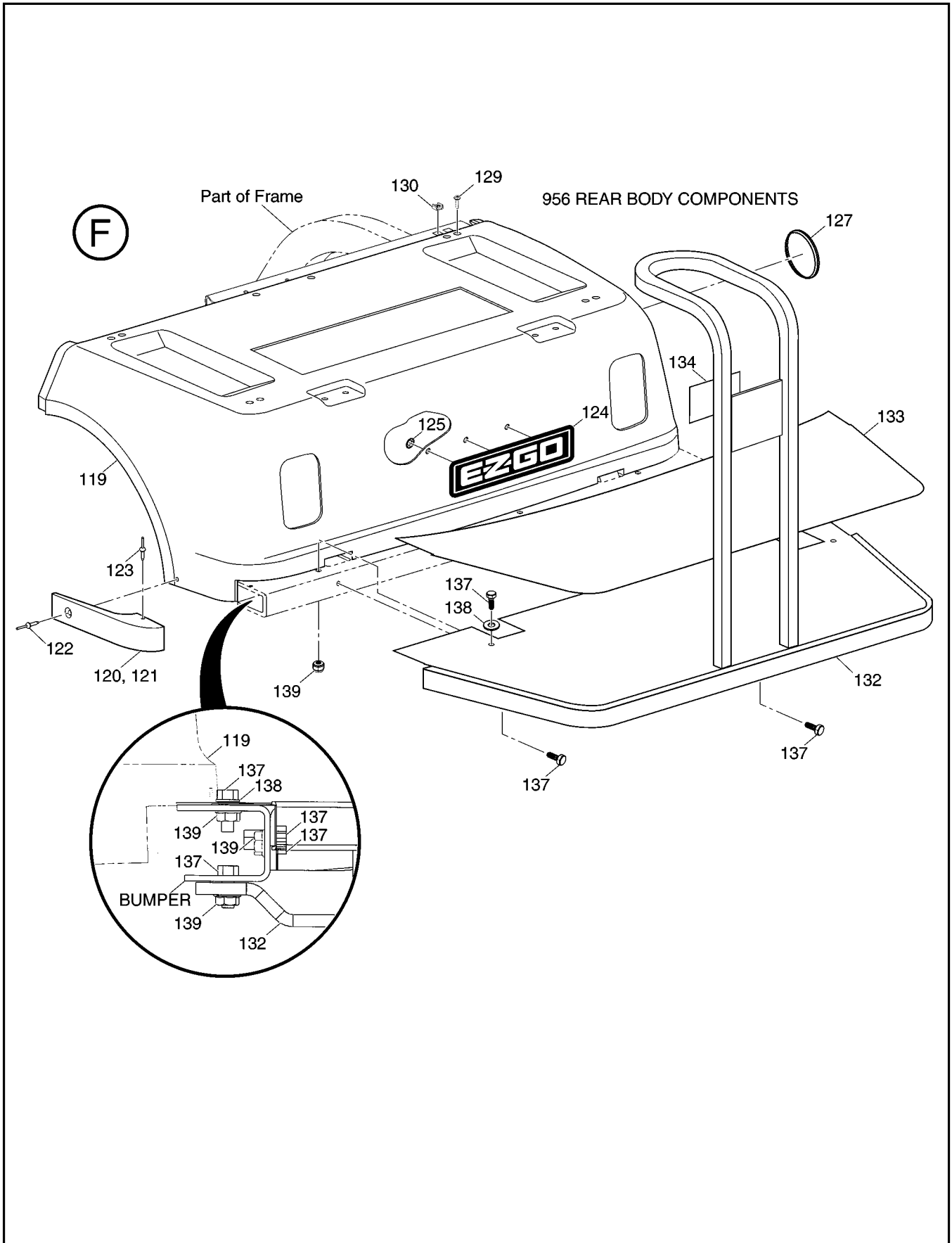
BODY

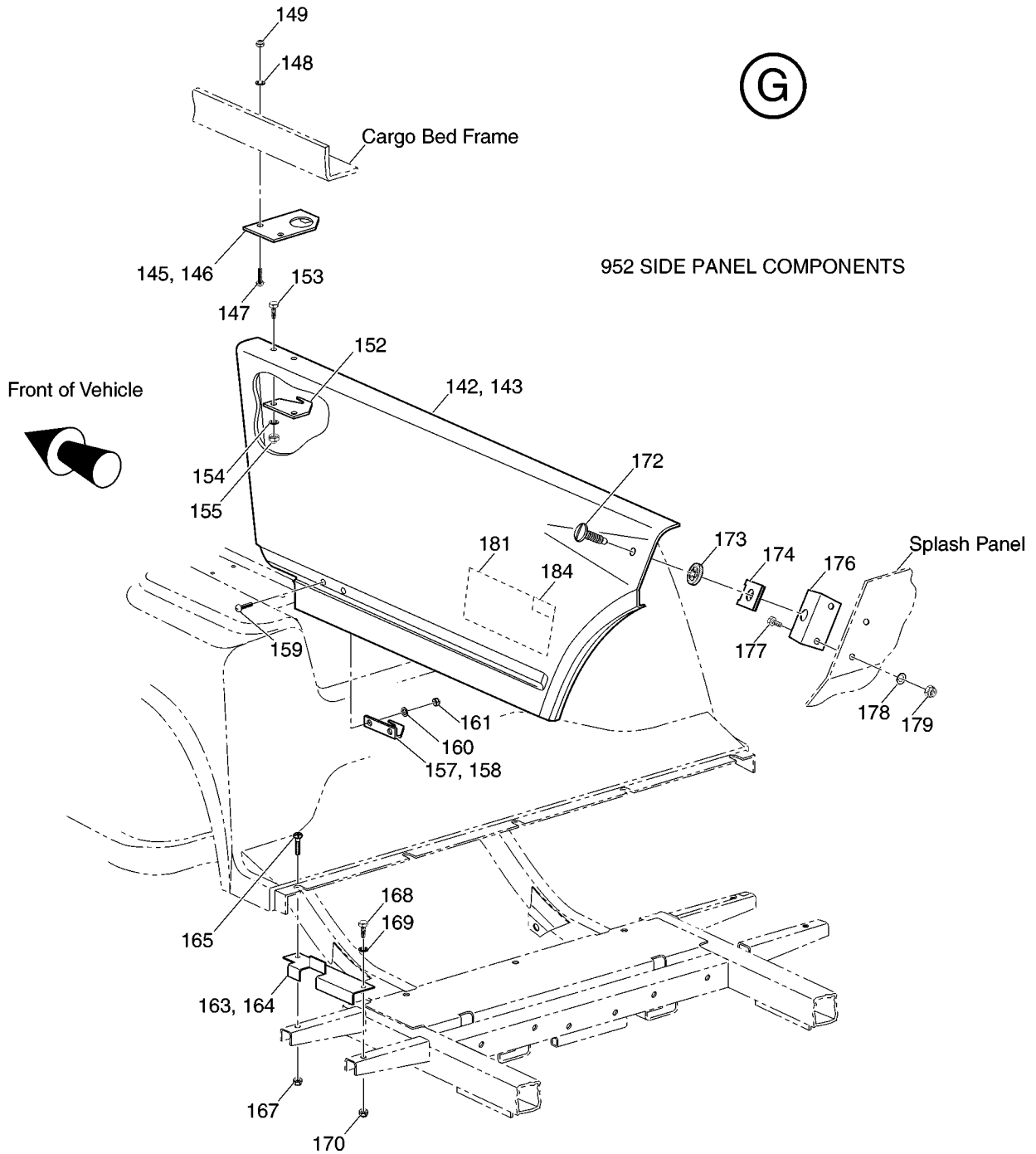




BODY







When ordering parts, please specify the model and serial number of the product.

* Indicates a component that is not available as an individual part.

G** Indicates consult Customer Service Department for additional information.

| ITEM | PART NO. | 1 2 3 4 5 | DESCRIPTION | QTY. |
|------|-----------|-----------|--|------|
| 1 | 34142-G** | | COWL..... | 1 |
| 2 | 34145-G01 | | FRONT FLOOR PAN..... | 1 |
| 3 | 34597-G01 | | INSTRUMENT PANEL | 1 |
| 4 | 35410-G01 | | SUPPORT PLATE (DRIVER SIDE)..... | 1 |
| 5 | 35410-G02 | | SUPPORT PLATE (PASSENGER SIDE) | 1 |
| 6 | 34247-G01 | | BUMPER | 1 |
| 7 | 34248-G01 | | RUBBER BUMPER COVER | 1 |
| 8 | 71037-G02 | | NAMEPLATE (E-Z-GO)..... | 1 |
| 9 | 12064-G3 | | PUSH NUT, 3/16" | 3 |
| 10 | 34758-G01 | | COWL SPACER | 2 |
| 11 | 00891-G1 | | LOCK NUT, 3/8 - 16 | 2 |
| 12 | 00762-G8 | | SCREW, 5/16 - 18 X 2" LG (STAINLESS STEEL) | 2 |
| 13 | 00438-G8 | | BOLT, 5/16 - 18 X 1" LG | 4 |
| 14 | 01110-G03 | | WASHER, 5/16" (STAINLESS STEEL) | 4 |
| 15 | 01109-G01 | | LOCK NUT, 5/16 - 18 (STAINLESS STEEL) | 4 |
| 16 | 16705-G1 | | SCREW, 1/4 - 20 X 1" LG (STAINLESS STEEL) | 2 |
| 17 | 01110-G01 | | WASHER, 1/4" (STAINLESS STEEL) | 2 |
| 18 | 34176-G01 | | NEOPRENE WASHER..... | 2 |
| 19 | 00654-G2 | | LOCK NUT, 1/4 - 20 (STAINLESS STEEL) | 2 |
| 20 | 34134-G01 | | ISOLATION STRIP | 2 |
| 21 | 14776-G1 | | "J" TYPE RETAINER..... | 4 |
| 22 | 71055-G01 | | RIVET, 3/16" X 1" LG (ALUMINUM)..... | 11 |
| 23 | 34840-G01 | | HOLE COVER..... | 2 |
| 24 | 34507-G01 | | HOLE PLUG..... | 4 |
| 25 | 01008-G01 | | RETAINER | 2 |
| 26 | 34146-G01 | | FRONT FLOORBOARD | 1 |
| 27 | 34614-G01 | | ACCESS COVER..... | 1 |
| 28 | 34607-G01 | | FRONT FLOORMAT | 1 |
| 29 | 34609-G02 | | FRONT ROCKER PANEL (DRIVER SIDE)..... | 1 |
| 30 | 34609-G01 | | FRONT ROCKER PANEL (PASSENGER SIDE) | 1 |

BODY

When ordering parts, please specify the model and serial number of the product.

* Indicates a component that is not available as an individual part.

G** Indicates consult Customer Service Department for additional information.

| ITEM | PART NO. | 1 2 3 4 5 | DESCRIPTION | QTY. |
|------|-----------|-----------|---|------|
| 31 | 34141-G** | | FRONT HOUSING | 1 |
| 32 | 16705-G9 | | SCREW, 1/4 - 20 X 1 1/4" LG (STAINLESS STEEL) | 10 |
| 33 | 20275-G3 | | PIVOT SPACER | 6 |
| 34 | 00654-G2 | | LOCK NUT, 1/4 - 20 (STAINLESS STEEL) | 6 |
| 35 | 35643-G01 | | HOLE PLUG..... | 2 |
| 36 | 16705-G3 | | SCREW, 1/4 - 20 X 3/4" LG (STAINLESS STEEL) | 4 |
| 37 | 01110-G01 | | WASHER, 1/4" (STAINLESS STEEL) | 10 |
| 38 | 00654-G2 | | LOCK NUT, 1/4 - 20 (STAINLESS STEEL) | 4 |
| 39 | 27919-G02 | | ACRYLIC FOAM TAPE (2")..... | 2 |
| 40 | 27919-G04 | | ACRYLIC FOAM TAPE (4")..... | 1 |
| 41 | 16816-G2 | | RATCHET FASTENER..... | 4 |
| 42 | | | | |
| 43 | 35654-G02 | | HOUSING BRACKET (DRIVER SIDE) | 1 |
| 44 | 35654-G01 | | HOUSING BRACKET (PASSENGER SIDE)..... | 1 |
| 45 | 16705-G11 | | SCREW, 5/16 - 18 X 7/8" LG (STAINLESS STEEL) | 4 |
| 46 | 01109-G01 | | LOCK NUT, 5/16 - 18 (STAINLESS STEEL) | 4 |
| 47 | 00438-G8 | | BOLT, 5/16 - 18 X 1" LG | 2 |
| 48 | 00660-G8 | | WASHER, 5/16" (STAINLESS STEEL) | 6 |
| 49 | 01109-G01 | | LOCK NUT, 5/16 - 18 (STAINLESS STEEL) | 2 |
| 50 | 00438-G6 | | BOLT, 5/16 - 18 X 3/4" LG | 4 |
| 51 | | | | |
| 52 | 34596-G01 | | PARKING BRAKE COVER..... | 1 |
| 53 | | | | |
| 54 | 16705-G1 | | SCREW, 1/4 - 20 X 1" LG (STAINLESS STEEL) | 4 |
| 55 | 30054-G2 | | MOLY JACK NUT | 4 |
| 56 | | | | |
| 57 | * | | SERIAL NUMBER PLATE | 1 |
| 58 | 10570-G9 | | RIVET, 1/8" X 11/32" LG (ALUMINUM) | 4 |
| 59 | | | | |
| 60 | 33645-G01 | | LABEL (SAFETY)..... | 1 |

When ordering parts, please specify the model and serial number of the product.

* Indicates a component that is not available as an individual part.

G** Indicates consult Customer Service Department for additional information.

| ITEM | PART NO. | 1 2 3 4 5 | DESCRIPTION | QTY. |
|------|-----------|-----------|---|------|
| 61 | | | | |
| 62 | | | | |
| 63 | 34143-G** | | REAR HINGED HOUSING..... | 1 |
| 64 | 34147-G01 | | REAR FLOORBOARD | 1 |
| 65 | 34610-G02 | | REAR ROCKER PANEL (DRIVER SIDE) | 1 |
| 66 | 34610-G01 | | REAR ROCKER PANEL (PASSENGER SIDE)..... | 1 |
| 67 | 16705-G3 | | SCREW, 1/4 - 20 X 3/4" LG (STAINLESS STEEL) | 4 |
| 68 | 01110-G01 | | WASHER, 1/4" (STAINLESS STEEL) | 4 |
| 69 | 00654-G2 | | LOCK NUT, 1/4 - 20 (STAINLESS STEEL) | 4 |
| 70 | 16705-G9 | | SCREW, 1/4 - 20 X 1 1/4" LG (STAINLESS STEEL) | 7 |
| 71 | 20275-G3 | | PIVOT SPACER..... | 5 |
| 72 | 00654-G2 | | LOCK NUT, 1/4 - 20 (STAINLESS STEEL) | 7 |
| 73 | 16705-G10 | | SCREW, 1/4 - 20 X 7/8" LG (STAINLESS STEEL) | 4 |
| 74 | | | | |
| 75 | 34149-G01 | | FLOOR SUPPORT..... | 2 |
| 76 | 00715-G1 | | BOLT, 5/16 - 18 X 3/4" LG..... | 4 |
| 77 | | | | |
| 78 | 34608-G01 | | REAR FLOORMAT..... | 1 |
| 79 | 16816-G2 | | RATCHET FASTENER, 11/16" X 7/8" LG | 4 |
| 80 | | | | |
| 81 | 34978-G01 | | DRIP SHIELD..... | 1 |
| 82 | 00789-G1 | | SCREW, #10 - 24 X 1" LG..... | 2 |
| 83 | 00660-G5 | | WASHER, #10 (STAINLESS STEEL) | 2 |
| 84 | 00739-G1 | | RUBBER NUT, #10 - 24 | 2 |
| 85 | | | | |
| 86 | 34197-G02 | | HINGE..... | 2 |
| 87 | 16705-G1 | | SCREW, 1/4 - 20 X 1" LG (STAINLESS STEEL) | 4 |
| 88 | 01110-G01 | | WASHER, 1/4" (STAINLESS STEEL) | 4 |
| 89 | 14390-G4 | | LOCK NUT, 1/4 - 20 | 4 |
| 90 | | | | |

BODY

When ordering parts, please specify the model and serial number of the product.

* Indicates a component that is not available as an individual part.

G** Indicates consult Customer Service Department for additional information.

| ITEM | PART NO. | 1 2 3 4 5 | DESCRIPTION | QTY. |
|------|-----------|-----------|--|------|
| 91 | 34198-G01 | | HINGE | 2 |
| 92 | 34852-G01 | | HINGE SPACER..... | 2 |
| 93 | 00661-G8 | | BOLT, 1/4 - 20 X 1" LG (STAINLESS STEEL)..... | 4 |
| 94 | 01110-G01 | | WASHER, 1/4" (STAINLESS STEEL) | 4 |
| 95 | 14390-G4 | | LOCK NUT, 1/4 - 20 | 4 |
| 96 | | | | |
| 97 | 34228-G01 | | HINGE PIN | 2 |
| 98 | 14117-G1 | | RETAINING RING, 1/4" | 4 |
| 99 | | | | |
| 100 | 34881-G01 | | LATCH PLATE..... | 2 |
| 101 | 00827-G8 | | CARRIAGE BOLT, 1/4 - 20 X 1" LG (STAINLESS STEEL)..... | 4 |
| 102 | 14390-G4 | | LOCK NUT, 1/4 - 20 | 4 |
| 103 | | | | |
| 104 | 34884-G01 | | LATCH ASSEMBLY (INCLUDES ITEMS 105 - 109) | 2 |
| 105 | 34432-G01 | | LATCH PIN | 1 |
| 106 | 34434-G01 | | WASHER, 3/8" | 1 |
| 107 | 34431-G01 | | LATCH PLATE | 1 |
| 108 | 34883-G01 | | LATCH | 1 |
| 109 | 14390-G1 | | LOCK NUT, 3/8 - 24..... | 1 |
| 110 | | | | |
| 111 | | | | |
| 112 | | | | |
| 113 | | | | |
| 114 | 34882-G01 | | LOCKDOWN SUPPORT ANGLE..... | 2 |
| 115 | 00415-G4 | | BOLT, 1/4 - 20 X 1 1/2" LG | 2 |
| 116 | 11027-G2 | | LOCK NUT, 1/4 - 20 | 4 |
| 117 | 14601-G5 | | RIVET, 3/16" X 3/8" LG (STAINLESS STEEL) | 4 |
| 118 | | | | |
| 119 | 34144-G** | | REAR STATIONARY HOUSING | 1 |
| 120 | 34668-G02 | | BUMPER CAP (DRIVER SIDE) | 1 |

When ordering parts, please specify the model and serial number of the product.

* Indicates a component that is not available as an individual part.

G** Indicates consult Customer Service Department for additional information.

| ITEM | PART NO. | 1 2 3 4 5 | DESCRIPTION | QTY. |
|------|-----------|-----------|--|------|
| 121 | 34668-G01 | | BUMPER CAP (PASSENGER SIDE)..... | 1 |
| 122 | 71055-G01 | | RIVET, 3/16" X 1" LG (ALUMINUM)..... | 2 |
| 123 | 15058-G1 | | RIVET, 3/16" X 7/16" LG (ALUMINUM)..... | 2 |
| 124 | 71037-G02 | | NAMEPLATE (E-Z-GO)..... | 1 |
| 125 | 12064-G3 | | PUSH NUT, 3/16"..... | 3 |
| 126 | | | | |
| 127 | 34295-G01 | | GROMMET..... | 1 |
| 128 | | | | |
| 129 | 16705-G1 | | SCREW, 1/4 - 20 X 1" LG (STAINLESS STEEL)..... | 4 |
| 130 | 34855-G01 | | SELF-RETAINING NUT..... | 8 |
| 131 | | | | |
| 132 | 34611-G01 | | FOOTREST..... | 1 |
| 133 | 34700-G01 | | RUBBER FLOORMAT..... | 1 |
| 134 | 74132-G01 | | DECAL (WARNING)..... | 1 |
| 135 | | | | |
| 136 | | | | |
| 137 | 00665-G2 | | BOLT, 3/8 - 16 X 1" LG (STAINLESS STEEL)..... | 8 |
| 138 | 00653-G1 | | WASHER, 3/8"..... | 2 |
| 139 | 11027-G5 | | NUT, 3/8 - 16..... | 6 |
| 140 | | | | |
| 141 | | | | |
| 142 | 34140-G01 | | SIDE PANEL (DRIVER SIDE)..... | 1 |
| 143 | 34140-G02 | | SIDE PANEL (PASSENGER SIDE)..... | 1 |
| 144 | | | | |
| 145 | 34708-G02 | | UPPER CATCH (DRIVER SIDE)..... | 1 |
| 146 | 34708-G01 | | UPPER CATCH (PASSENGER SIDE)..... | 1 |
| 147 | 16705-G3 | | SCREW, 1/4 - 20 X 3/4" LG (STAINLESS STEEL)..... | 2 |
| 148 | 00660-G7 | | WASHER, 1/4" (STAINLESS STEEL)..... | 2 |
| 149 | 00654-G2 | | LOCK NUT, 1/4 - 20 (STAINLESS STEEL)..... | 2 |
| 150 | | | | |

BODY

When ordering parts, please specify the model and serial number of the product.

* Indicates a component that is not available as an individual part.

G** Indicates consult Customer Service Department for additional information.

| ITEM | PART NO. | 1 2 3 4 5 | DESCRIPTION | QTY. |
|------|-----------|-----------|---|------|
| 151 | | | | |
| 152 | 34706-G01 | | UPPER LATCH..... | 2 |
| 153 | 00414-G6 | | BOLT, 1/4 - 20 X 3/4" | 4 |
| 154 | 00660-G7 | | WASHER, 1/4" (STAINLESS STEEL) | 4 |
| 155 | 00654-G2 | | LOCK NUT, 1/4 - 20 (STAINLESS STEEL) | 4 |
| 156 | | | | |
| 157 | 34707-G02 | | LOWER LATCH (DRIVER SIDE) | 1 |
| 158 | 34707-G01 | | LOWER LATCH (PASSENGER SIDE)..... | 1 |
| 159 | 16705-G3 | | SCREW, 1/4 - 20 X 3/4" LG (STAINLESS STEEL) | 2 |
| 160 | 00660-G7 | | WASHER, 1/4" (STAINLESS STEEL) | 2 |
| 161 | 00654-G2 | | LOCK NUT, 1/4 - 20 (STAINLESS STEEL) | 2 |
| 162 | | | | |
| 163 | 34709-G01 | | LOWER CATCH (DRIVER SIDE)..... | 1 |
| 164 | 34709-G02 | | LOWER CATCH (PASSENGER SIDE) | 1 |
| 165 | 00415-G2 | | SCREW, 1/4 - 20 X 1 1/2" LG..... | 1 |
| 166 | | | | |
| 167 | 00654-G2 | | LOCK NUT, 1/4 - 20 (STAINLESS STEEL) | 1 |
| 168 | 00661-G8 | | BOLT, 1/4 - 20 X 1" LG (STAINLESS STEEL)..... | 1 |
| 169 | 00660-G7 | | WASHER, 1/4" (STAINLESS STEEL) | 2 |
| 170 | 00654-G2 | | LOCK NUT, 1/4 - 20 (STAINLESS STEEL) | 1 |
| 171 | | | | |
| 172 | 34613-G01 | | SPECIAL SLOTTED SCREW, 1" LG | 1 |
| 173 | 34737-G01 | | RETAINER | 1 |
| 174 | 34612-G01 | | CLIP ON RECEPTACLE | 1 |
| 175 | | | | |
| 176 | 34841-G01 | | RETAINER BRACKET..... | 1 |
| 177 | 00661-G8 | | BOLT, 1/4 - 20 X 1" LG (STAINLESS STEEL)..... | 2 |
| 178 | 00660-G7 | | WASHER, 1/4" (STAINLESS STEEL) | 2 |
| 179 | 00654-G2 | | LOCK NUT, 1/4 - 20 (STAINLESS STEEL) | 2 |
| 180 | | | | |

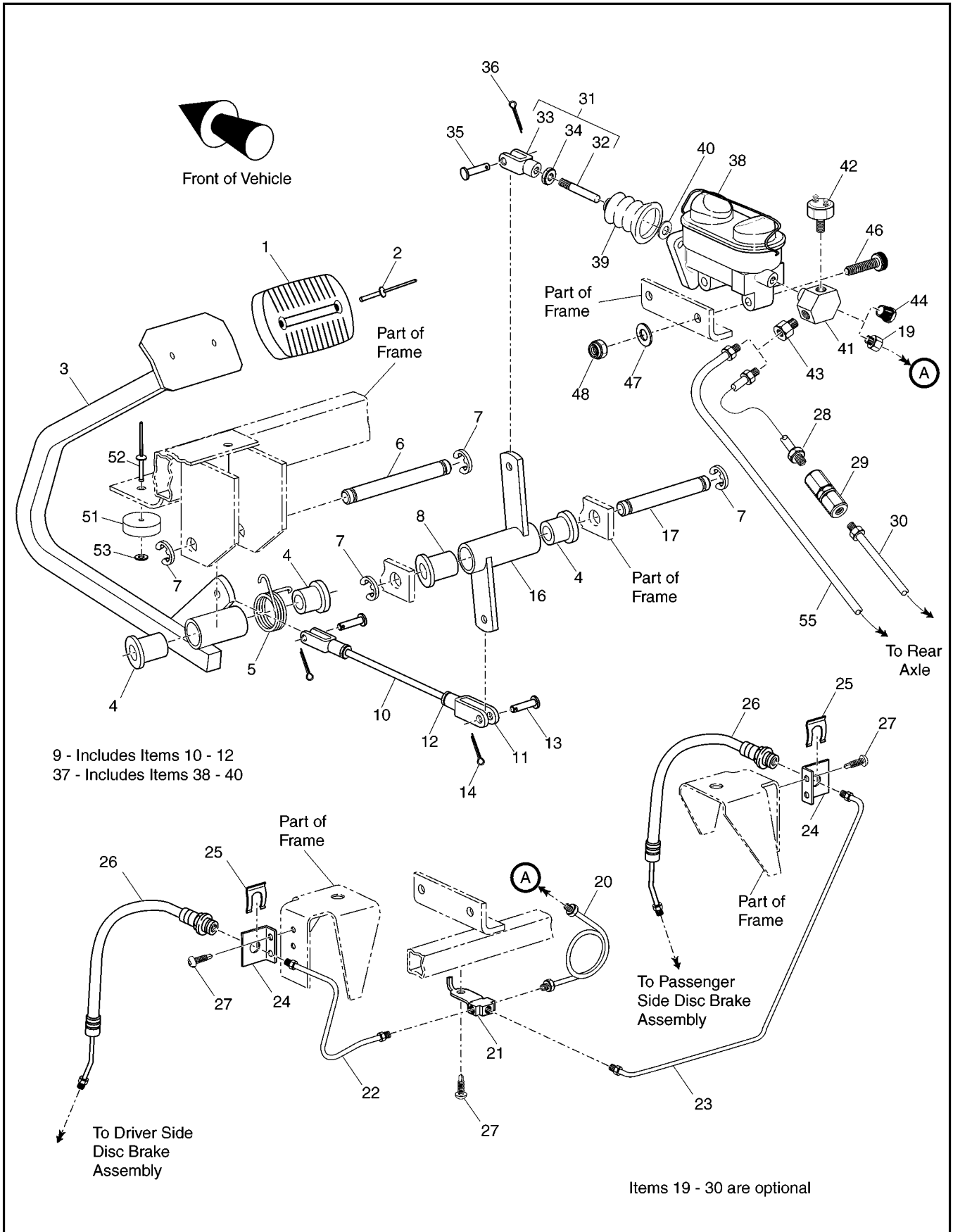
When ordering parts, please specify the model and serial number of the product.

* Indicates a component that is not available as an individual part.

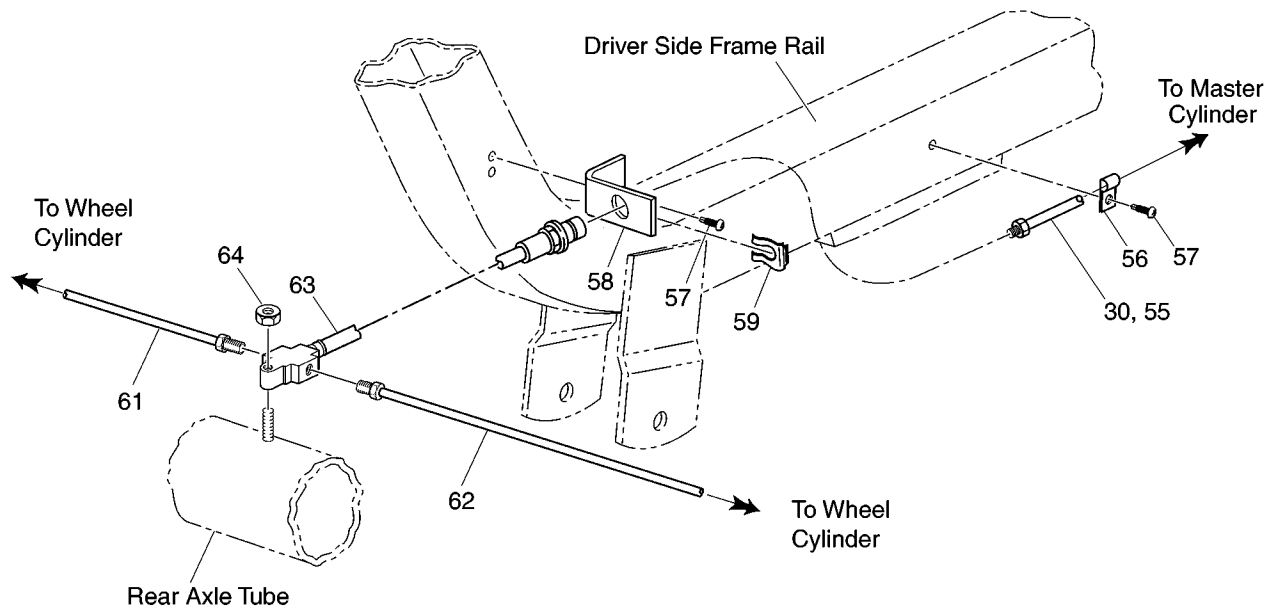
G** Indicates consult Customer Service Department for additional information.

| ITEM | PART NO. | 1 2 3 4 5 | DESCRIPTION | QTY. |
|------|-----------|-----------|--|------|
| 181 | 35434-G01 | | DECAL (SHUTTLE)..... | 2 |
| 182 | 35430-G10 | | DECAL (IDENTIFICATION - 954)..... | 2 |
| 183 | 35430-G09 | | DECAL (IDENTIFICATION - 956)..... | 2 |
| 184 | 35430-G11 | | DECAL (IDENTIFICATION - 952)..... | 2 |
| 185 | | | | |
| 186 | | | | |
| 187 | 35530-G02 | | BATTERY SHIELD (DRIVER SIDE)..... | 1 |
| 188 | 35530-G01 | | BATTERY SHIELD (PASSENGER SIDE) | 1 |
| 189 | 00933-G1 | | BOLT, 1/4 - 20 X 1 1/4" LG..... | 4 |
| 190 | 01110-G01 | | WASHER, 1/4" (STAINLESS STEEL) | 4 |
| 191 | 00654-G2 | | LOCK NUT, 1/4 - 20 (STAINLESS STEEL) | 4 |
| 192 | | | | |
| 193 | 35378-G01 | | BODY BRACE..... | 2 |
| 194 | 01110-G01 | | WASHER, 1/4" (STAINLESS STEEL) | 8 |
| 195 | 00654-G2 | | LOCK NUT, 1/4 - 20 (STAINLESS STEEL) | 4 |

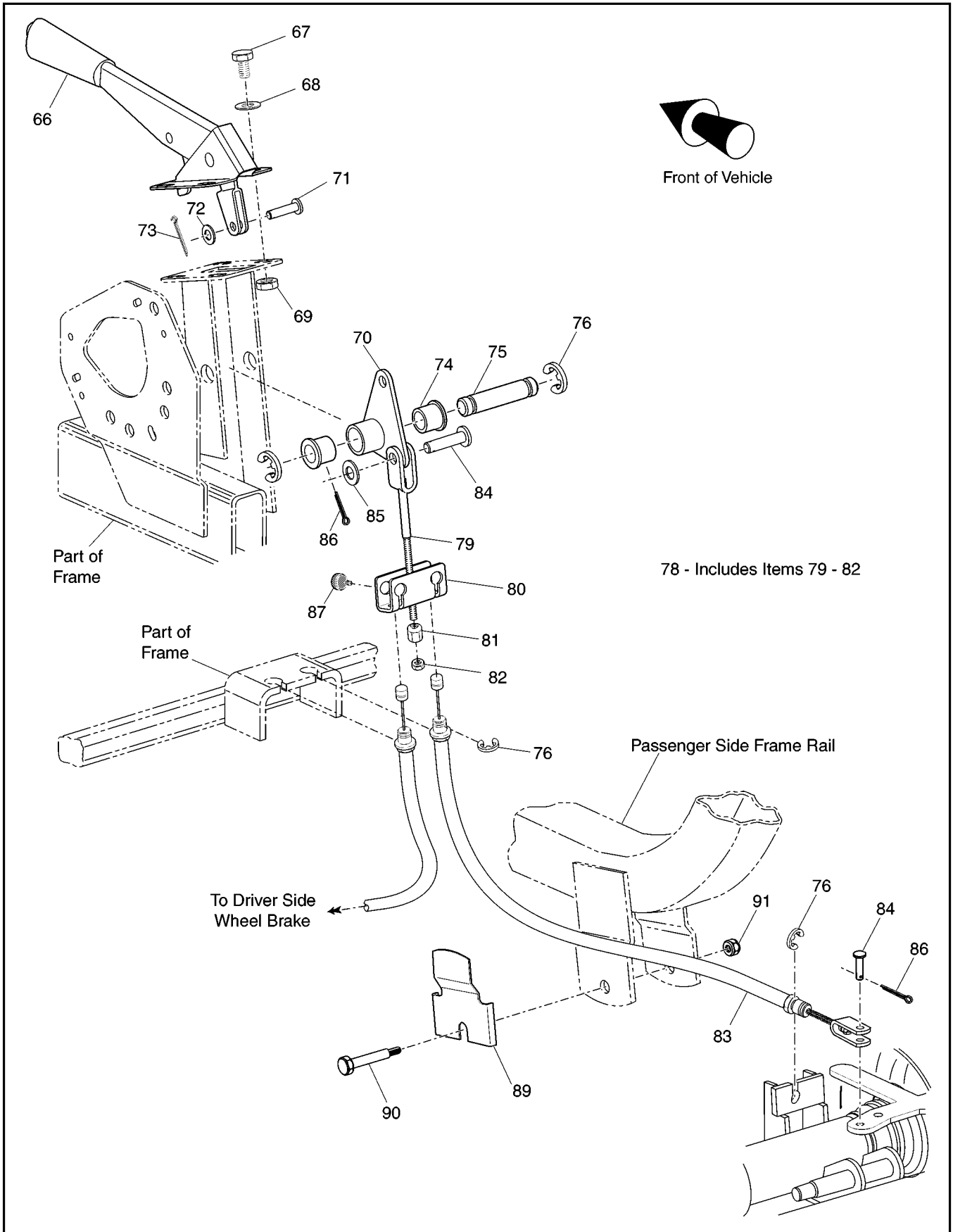
BRAKES

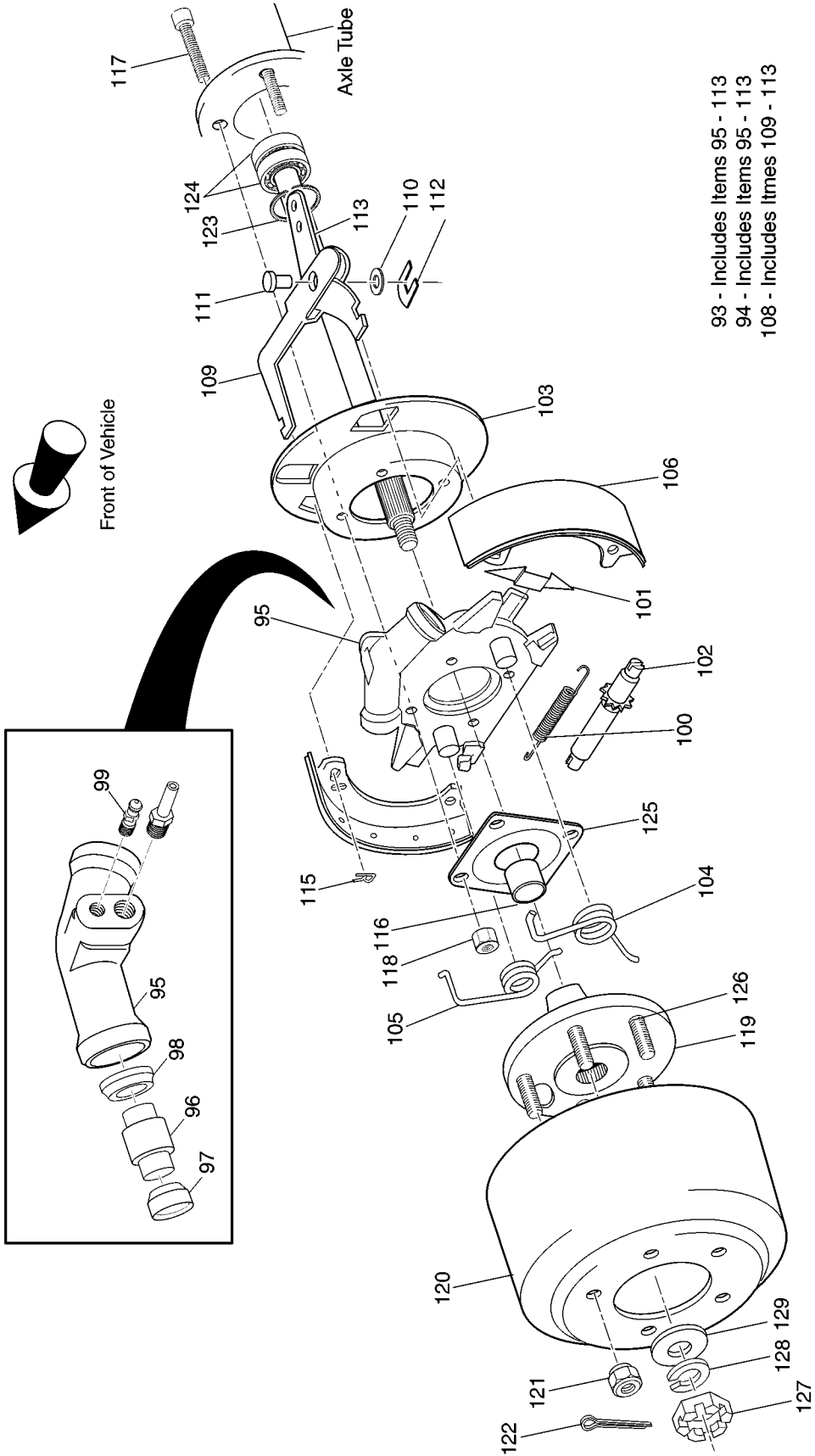


Front of Vehicle



BRAKES





BRAKES

THE USE OF NON U.L. PARTS WILL VOID ANY U.L. LISTING.

When ordering parts, please specify the model and serial number of the product.

* Indicates a component that is not available as an individual part.

G** Indicates consult Customer Service Department for additional information.

| ITEM | PART NO. | 1 2 3 4 5 | DESCRIPTION | QTY. |
|------|-----------|-----------|---|------|
| 1 | 11039-G1 | | PEDAL PAD | 1 |
| 2 | 14269-G1 | | RIVET, 3/16" X 1/2" LG..... | 2 |
| 3 | 33227-G02 | | BRAKE PEDAL | 1 |
| 4 | 70581-G02 | | FLANGED BUSHING | 2 |
| 5 | 13197-G1 | | TORSION SPRING | 1 |
| 6 | 34158-G02 | | SHAFT, 3 1/2" LG..... | 1 |
| 7 | 01111-G01 | | RETAINING RING, 13/32" (STAINLESS STEEL)..... | 4 |
| 8 | 70581-G02 | | FLANGED BUSHING | 2 |
| 9 | 34124-G01 | | LINKAGE ROD ASSEMBLY (INCLUDES ITEMS 10 - 12)..... | 1 |
| 10 | 30297-G3 | | THREADED ROD | 1 |
| 11 | 10385-G4 | | CLEVIS YOKE (ADJUSTABLE)..... | 2 |
| 12 | 00544-G4 | | JAM NUT, 5/16 - 24..... | 2 |
| 13 | 10386-G3 | | CLEVIS PIN, 5/16" X 13/16" LG..... | 2 |
| 14 | 10387-G3 | | COTTER PIN, 3/32" X 3/4" LG..... | 2 |
| 15 | | | | |
| 16 | 34157-G01 | | PIVOT..... | 1 |
| 17 | 34158-G01 | | SHAFT, 4 7/8" LG..... | 1 |
| 18 | | | | |
| 19 | 21505-G1 | | NIPPLE (MALE) (FRONT BRAKES OPTION) | 1 |
| 20 | 34984-G01 | | BRAKE LINE - COILED (12" COMPLETE WITH NUTS) | 1 |
| 21 | 21103-G1 | | BRAKE LINE TEE | 1 |
| 22 | 34987-G01 | | BRAKE LINE (12" COMPLETE WITH NUTS)..... | 1 |
| 23 | 34985-G01 | | BRAKE LINE (20" COMPLETE WITH NUTS)..... | 1 |
| 24 | 11332-G2 | | TUBE FASTENER BRACKET | 2 |
| 25 | 11456-G1 | | CLIP | 2 |
| 26 | 34989-G01 | | FLEXIBLE HYDRAULIC HOSE..... | 2 |
| 27 | 00106-G6 | | SELF THREADING SCREW, #12 - 24 X 3/4" LG | 5 |
| 28 | 34986-G01 | | BRAKE LINE (8" COMPLETE WITH NUTS)..... | 1 |
| 29 | 34988-G01 | | PROPORTIONING VALVE..... | 1 |
| 30 | 34982-G01 | | REAR BRAKE LINE WITH NUTS (50" COMPLETE WITH NUTS)..... | 1 |

BRAKES

THE USE OF NON U.L. PARTS WILL VOID ANY U.L. LISTING.

When ordering parts, please specify the model and serial number of the product.

* Indicates a component that is not available as an individual part.

G** Indicates consult Customer Service Department for additional information.

| ITEM | PART NO. | 1 2 3 4 5 | DESCRIPTION | QTY. |
|------|-----------|-----------|---|------|
| 31 | 30298-G2 | | PUSH ROD ASSEMBLY (INCLUDES ITEMS 32 - 34)..... | 1 |
| 32 | 30293-G2 | | PUSH ROD, 3 1/8" LG..... | 1 |
| 33 | 21508-G1 | | CLEVIS YOKE..... | 2 |
| 34 | 00544-G6 | | JAM NUT, 3/8 - 24..... | 2 |
| 35 | 14443-G3 | | CLEVIS PIN, 5/16" X 1" LG..... | 1 |
| 36 | 10387-G3 | | COTTER PIN, 3/32" X 3/4" LG..... | 1 |
| 37 | 70643-G02 | | MASTER CYLINDER KIT (INCLUDES ITEMS 38 - 40)..... | 1 |
| 38 | * | | MASTER CYLINDER..... | 1 |
| 39 | 32768-G1 | | MASTER CYLINDER BOOT..... | 1 |
| 40 | 00675-G1 | | WASHER, 3/8" (STAINLESS STEEL)..... | 1 |
| 41 | 26469-G01 | | BRANCH TEE (MALE)..... | 1 |
| 42 | 21510-G1 | | BRAKE LIGHT SWITCH..... | 1 |
| 43 | 33724-G01 | | INVERTED FLARE FITTING..... | 1 |
| 44 | 21503-G1 | | PLUG (STANDARD BRAKE SYSTEM)..... | 1 |
| 45 | 22283-G1 | | TEFLON TAPE, 1/2" WIDE (NOT ILLUSTRATED)..... | A/R |
| 46 | 00428-G4 | | BOLT, 3/8 - 16 X 2 1/2" LG..... | 2 |
| 47 | 00560-G1 | | WASHER, 3/8"..... | 2 |
| 48 | 11098-G5 | | LOCK NUT, 3/8 - 16..... | 2 |
| 49 | 21504-G1 | | BRAKE FLUID (DOT 3) (NOT ILLUSTRATED)..... | A/R |
| 50 | | | | |
| 51 | 13728-G1 | | RUBBER BUMPER..... | 1 |
| 52 | 14601-G1 | | RIVET, 3/16" X 13/16" LG (ALUMINUM)..... | 1 |
| 53 | 00559-G5 | | WASHER, #10..... | 1 |
| 54 | | | | |
| 55 | 21104-G12 | | BRAKE LINE (55" COMPLETE WITH NUTS)..... | 1 |
| 56 | 11845-G5 | | INSULATED CABLE CLAMP, 3/8"..... | 1 |
| 57 | 00100-G6 | | SCREW, #10 - 16 X 3/4" LG..... | 3 |
| 58 | 11332-G2 | | TUBE FASTENER BRACKET..... | 1 |
| 59 | 11456-G1 | | CLIP..... | 1 |
| 60 | | | | |

BRAKES

THE USE OF NON U.L. PARTS WILL VOID ANY U.L. LISTING.

When ordering parts, please specify the model and serial number of the product.

* Indicates a component that is not available as an individual part.

G** Indicates consult Customer Service Department for additional information.

| ITEM | PART NO. | 1 2 3 4 5 | DESCRIPTION | QTY. |
|------|-----------|-----------|--|------|
| 61 | 34702-G01 | | REAR BRAKE LINE | 1 |
| 62 | 34542-G01 | | REAR BRAKE LINE | 1 |
| 63 | 33534-G01 | | HYDRAULIC HOSE, 10 1/2" LG | 1 |
| 64 | 01109-G01 | | LOCK NUT, 5/16 - 18 (STAINLESS STEEL) | 1 |
| 65 | | | | |
| 66 | 34380-G01 | | PARKING BRAKE | 1 |
| 67 | 00276-G6 | | BOLT, 5/16 - 24 X 3/4" LG | 4 |
| 68 | 00559-G8 | | WASHER, 5/16" | 4 |
| 69 | 11098-G9 | | LOCK NUT, 5/16 - 24 | 4 |
| 70 | 34384-G01 | | BELLCRANK | 1 |
| 71 | 14443-G2 | | CLEVIS PIN, 5/16" X 5/8" LG | 1 |
| 72 | 00559-G8 | | WASHER, 5/16" | 1 |
| 73 | 10387-G3 | | COTTER PIN, 3/32" X 3/4" LG | 1 |
| 74 | 70581-G02 | | FLANGED BUSHING | 2 |
| 75 | 34158-G03 | | SHAFT, 2 5/8" LG | 1 |
| 76 | 01111-G01 | | RETAINING RING, 13/32" (STAINLESS STEEL) | 6 |
| 77 | | | | |
| 78 | 34518-G01 | | PARKING BRAKE LINK (INCLUDES ITEMS 79 - 82)..... | 1 |
| 79 | 34389-G01 | | CLEVIS LINK | 1 |
| 80 | 28082-G01 | | EQUALIZER BRACKET..... | 1 |
| 81 | 00963-G01 | | SPHERICAL NUT, 5/16 - 24 | 1 |
| 82 | 00544-G4 | | JAM NUT, 5/16 - 24..... | 1 |
| 83 | 34034-G01 | | BRAKE CABLE | 2 |
| 84 | 10386-G3 | | CLEVIS PIN, 5/16" X 13/16" LG | 2 |
| 85 | 00559-G8 | | WASHER, 5/16" | 1 |
| 86 | 10387-G3 | | COTTER PIN, 3/32" X 3/4" LG | 2 |
| 87 | 28083-G01 | | BRAKE COMPENSATOR BUMPER | 2 |
| 88 | | | | |
| 89 | 34031-G01 | | CABLE RETAINER BRACKET..... | 2 |
| 90 | XXXXX-XX | | SHOULDER BOLT (SEE REAR SUSPENSION SECTION FOR P/N)..... | 2 |

BRAKES

THE USE OF NON U.L. PARTS WILL VOID ANY U.L. LISTING.

When ordering parts, please specify the model and serial number of the product.

* Indicates a component that is not available as an individual part.

G** Indicates consult Customer Service Department for additional information.

| ITEM | PART NO. | 1 2 3 4 5 | DESCRIPTION | QTY. |
|------|-----------|-----------|--|------|
| 91 | XXXXX-XX | | LOCK NUT, 3/8 - 16 (SEE REAR SUSPENSION SECTION FOR P/N)..... | 2 |
| 92 | | | | |
| 93 | 33725-G02 | | BRAKE ASSEMBLY (DRIVER SIDE) (INCLUDES ITEMS 95 - 113) | 1 |
| 94 | 33725-G01 | | BRAKE ASSEMBLY (PASSENGER SIDE) (INCLUDES ITEMS 95 - 113)..... | 1 |
| 95 | 21086-G1 | | TORQUE SPIDER | 1 |
| 96 | 21087-G1 | | WHEEL CYLINDER PISTON..... | 2 |
| 97 | 21088-G1 | | HYDRAULIC CUP..... | 2 |
| 98 | 21089-G1 | | SEAL..... | 2 |
| 99 | 21094-G1 | | BLEEDER VALVE | 1 |
| 100 | 13466-G1 | | LOWER SPRING | 1 |
| 101 | 21096-G1 | | SHOE HOLD DOWN | 1 |
| 102 | 21097-G1 | | ADJUSTER..... | 1 |
| 103 | 21098-G1 | | DUST SHIELD | 1 |
| 104 | 70669-G01 | | SPRING (BLUE) | 1 |
| 105 | 70670-G01 | | SPRING (YELLOW)..... | 1 |
| 106 | 33726-G01 | | BRAKE SHOE..... | 1 |
| 107 | | | | |
| 108 | * | | PARKING BRAKE LEVER ASSEMBLY (INCLUDES ITEMS 109 - 113) | 1 |
| 109 | 13460-G1 | | CURVED LEVER..... | 1 |
| 110 | 13463-G1 | | SPRING WASHER | 1 |
| 111 | 13462-G1 | | CLEVIS PIN..... | 1 |
| 112 | 13464-G1 | | CLEVIS PIN RETAINER..... | 1 |
| 113 | 22604-G1 | | STRAIGHT LEVER | 2 |
| 114 | | | | |
| 115 | 13468-G1 | | CLIP | 2 |
| 116 | 33666-G01 | | COLLAR | 1 |
| 117 | 33662-G01 | | STUD, 5/16 - 24 X 1 5/8" LG | 4 |
| 118 | 21562-G1 | | LOCK NUT, 5/16 - 24 | 4 |
| 119 | 33661-G01 | | FLANGE | 1 |
| 120 | 17953-G2 | | BRAKE DRUM | 2 |

BRAKES

THE USE OF NON U.L. PARTS WILL VOID ANY U.L. LISTING.

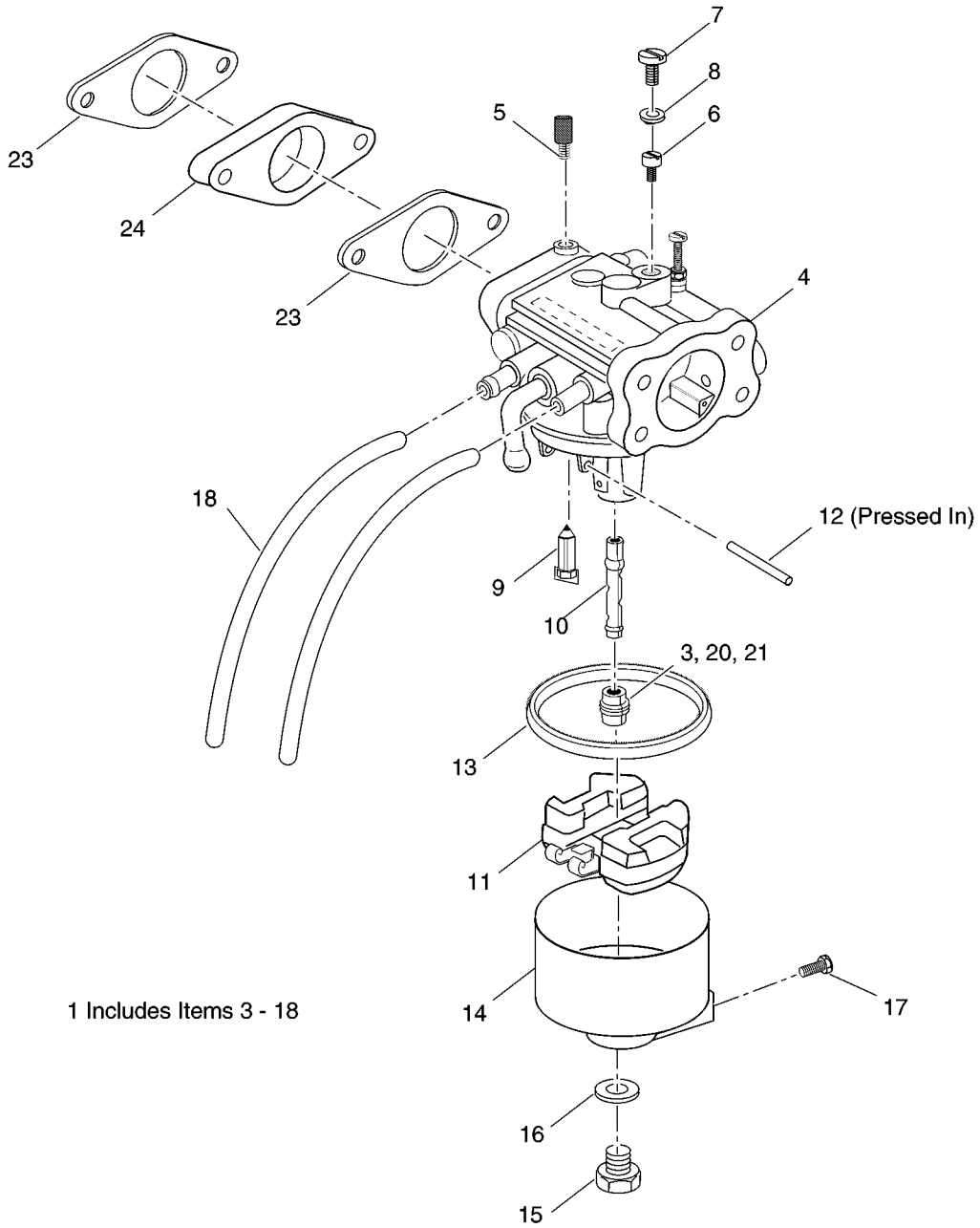
When ordering parts, please specify the model and serial number of the product.

* Indicates a component that is not available as an individual part.

G** Indicates consult Customer Service Department for additional information.

| ITEM | PART NO. | 1 2 3 4 5 | DESCRIPTION | QTY. |
|------|-----------|-----------|--|------|
| 121 | XXXXX-XX | | LUG NUT, 1/2 - 20 (SEE WHEELS AND TIRES SECTION FOR P/N) | 5 |
| 122 | | | | |
| 123 | XXXXX-XX | | RETAINING RING (SEE REAR AXLE SECTION FOR P/N)..... | 1 |
| 124 | XXXXX-XX | | BEARING (SEE REAR AXLE SECTION FOR P/N)..... | 2 |
| 125 | 21559-G1 | | WIPER SEAL | 1 |
| 126 | * | | WHEEL BOLT, 1/2 - 20..... | 5 |
| 127 | 00518-G8 | | SLOTTED NUT, 3/4 - 16..... | 1 |
| 128 | 00566-G6 | | LOCK WASHER, 3/4"..... | 1 |
| 129 | 33665-G01 | | WASHER, 3/4" | 1 |
| 130 | 28066-G02 | | MASTER CYLINDER REPAIR KIT (NOT SHOWN)..... | AR |

CARBURETOR

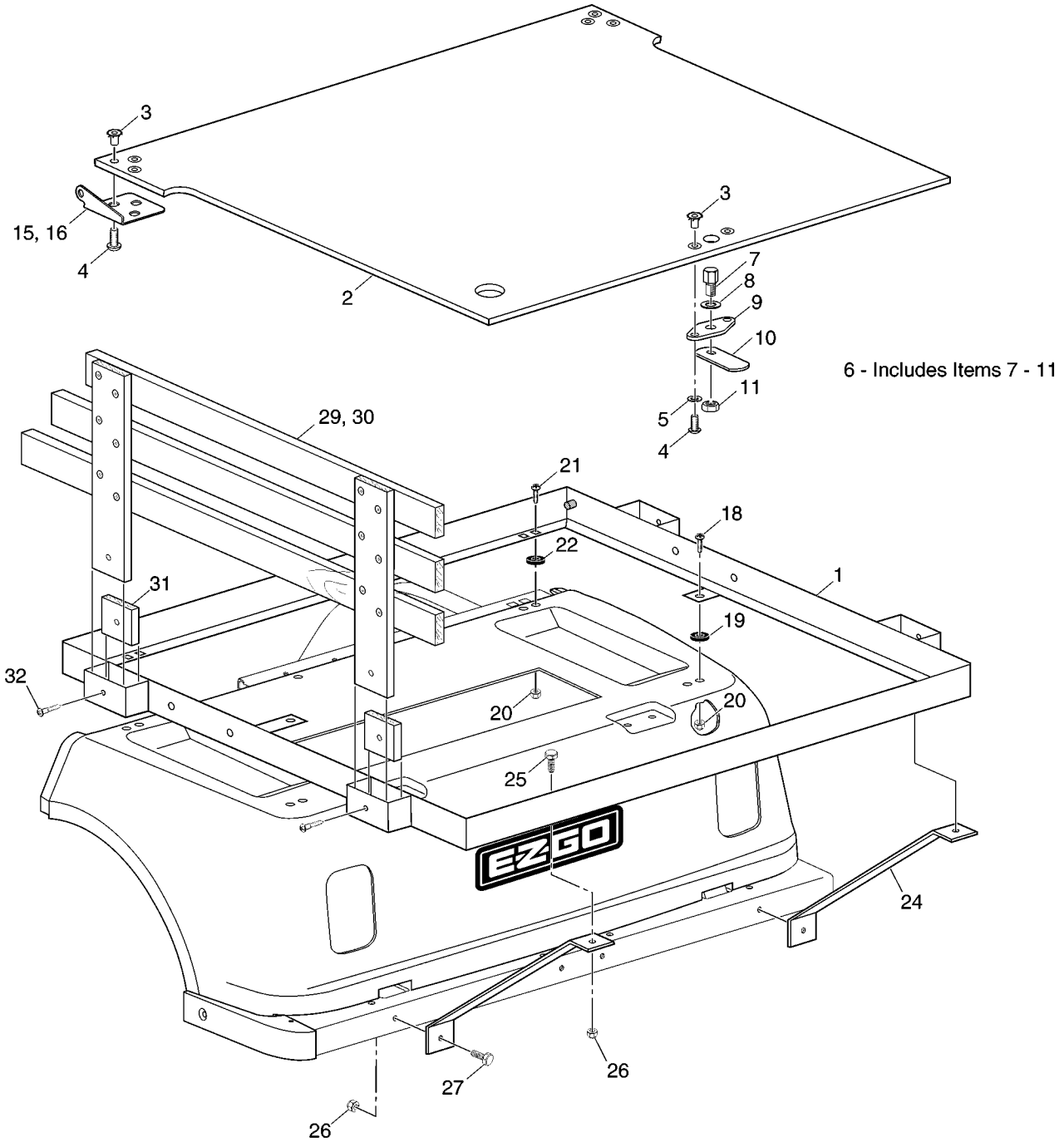


CARBURETOR

When ordering parts, please specify the model and serial number of the product.
 * Indicates a component that is not available as an individual part.
 G** Indicates consult Customer Service Department for additional information.

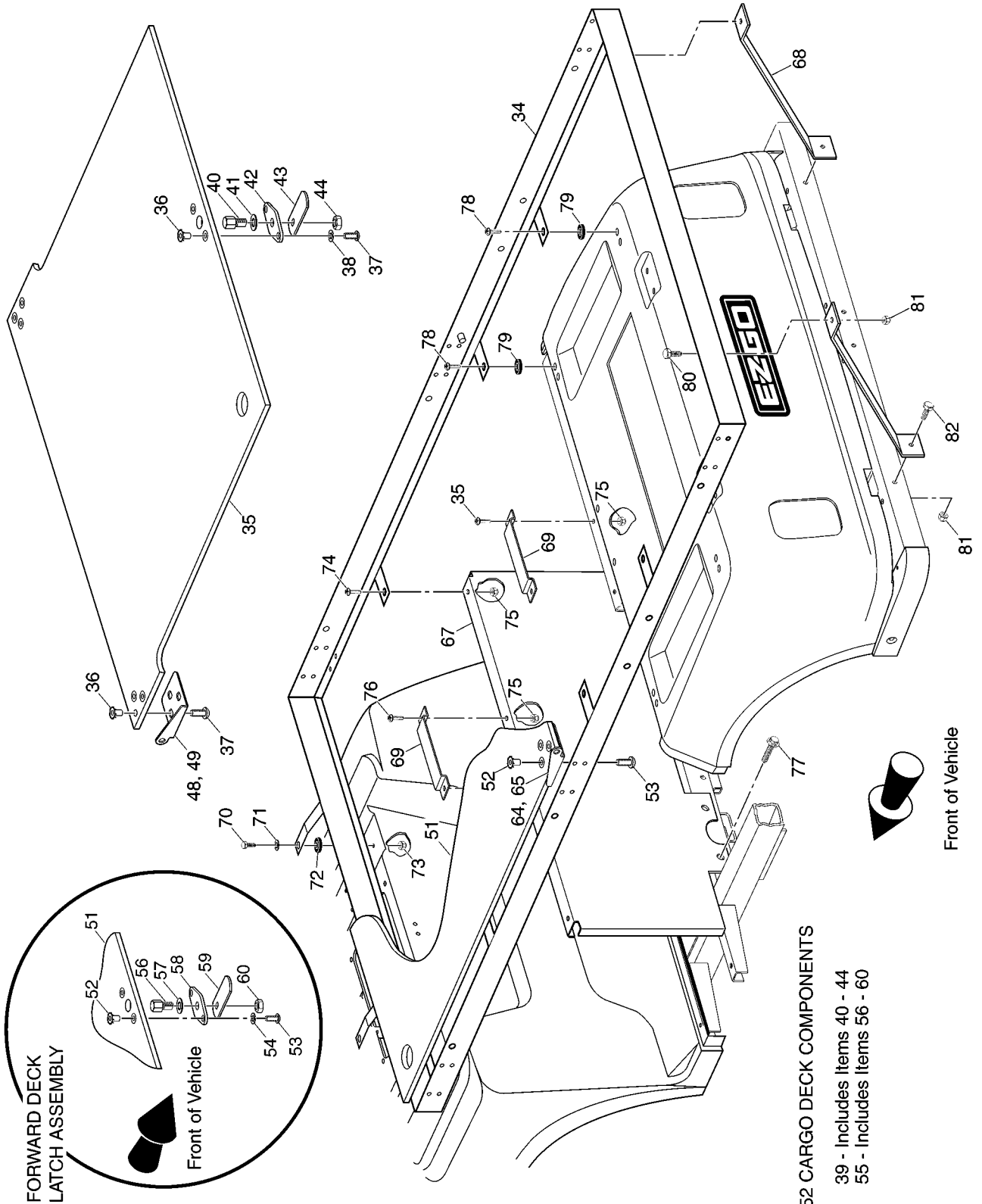
| ITEM | PART NO. | 1 | 2 | 3 | 4 | 5 | DESCRIPTION | QTY. |
|------|-----------|---|---|---|---|---|--|------|
| 1 | 72558-G01 | | | | | | CARBURETOR ASSEMBLY (INCLUDES ITEMS 3 - 18) | 1 |
| 2 | | | | | | | | |
| 3 | 26646-G09 | | | | | | MAIN JET (#92) | 1 |
| 4 | * | | | | | | CARBURETOR BODY | 1 |
| 5 | * | | | | | | PILOT SCREW | 1 |
| 6 | 26649-G05 | | | | | | PILOT JET (#46)..... | 1 |
| 7 | 26841-G01 | | | | | | PLUG | 1 |
| 8 | 72306-G01 | | | | | | GASKET | 1 |
| 9 | 72578-G01 | | | | | | NEEDLE VALVE | 1 |
| 10 | 72576-G01 | | | | | | MAIN NOZZLE | 1 |
| 11 | 26648-G01 | | | | | | FLOAT..... | 1 |
| 12 | 26840-G01 | | | | | | FLOAT PIN..... | 1 |
| 13 | 26843-G01 | | | | | | FLOAT BOWL GASKET | 1 |
| 14 | 26844-G01 | | | | | | FLOAT CHAMBER..... | 1 |
| 15 | 26839-G01 | | | | | | BOWL SCREW | 1 |
| 16 | 26838-G01 | | | | | | BOWL GASKET | 1 |
| 17 | * | | | | | | DRAIN SCREW | 1 |
| 18 | 26650-G01 | | | | | | VENT TUBE..... | 2 |
| 19 | | | | | | | | |
| 20 | 26646-G01 | | | | | | MAIN JET (#88) (FOR ELEVATIONS OF 3000 FT - 6000 FT)..... | 1 |
| 21 | 26646-G08 | | | | | | MAIN JET (#86) (FOR ELEVATIONS OF 6000 FT - 10000 FT)..... | 1 |
| 22 | | | | | | | | |
| 23 | 26726-G01 | | | | | | CARBURETOR MOUNT GASKET..... | 2 |
| 24 | 72311-G01 | | | | | | CARBURETOR INSULATOR | 1 |

CARGO DECKS AND HITCHES



954 CARGO DECK COMPONENTS

CARGO DECKS AND HITCHES



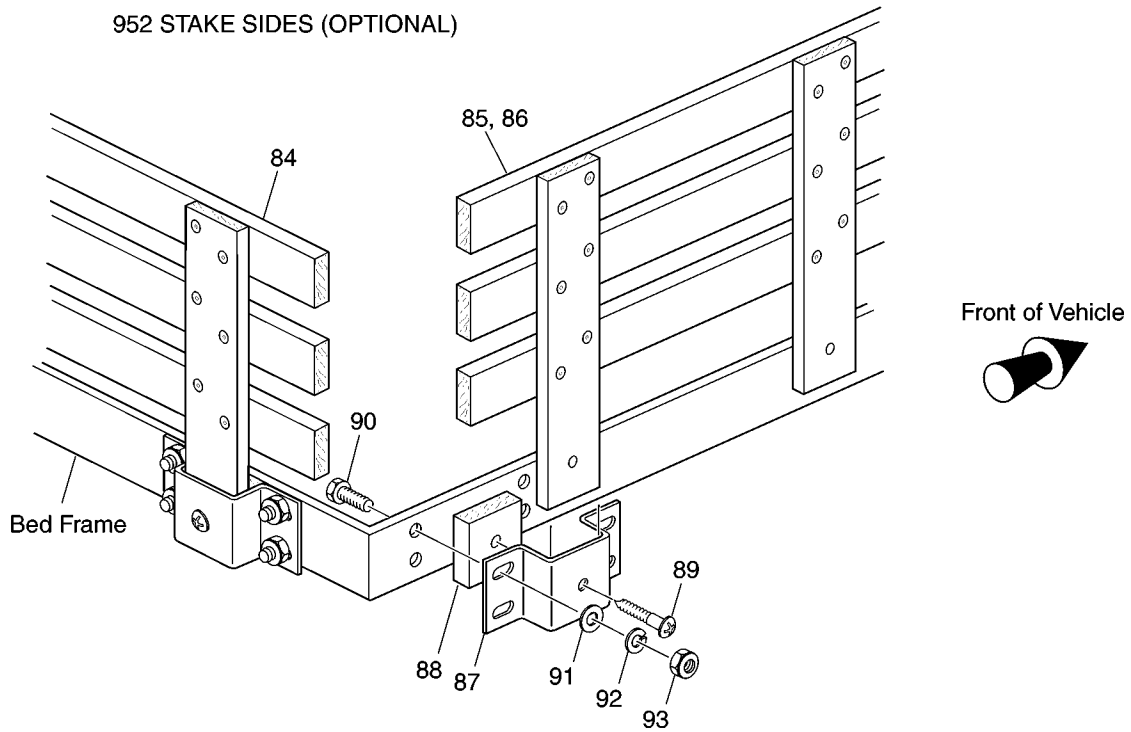
952 CARGO DECK COMPONENTS

39 - Includes Items 40 - 44

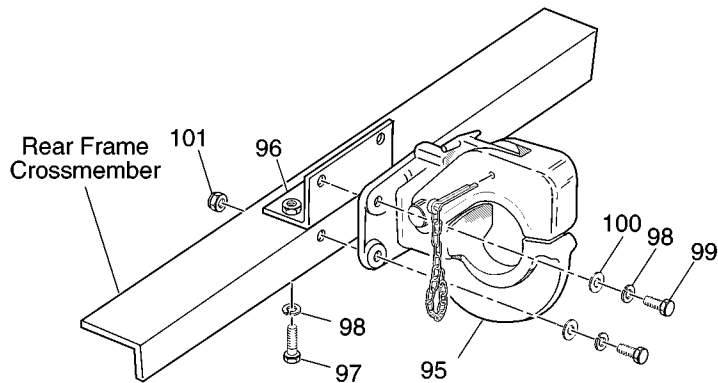
55 - Includes Items 56 - 60

CARGO DECKS AND HITCHES

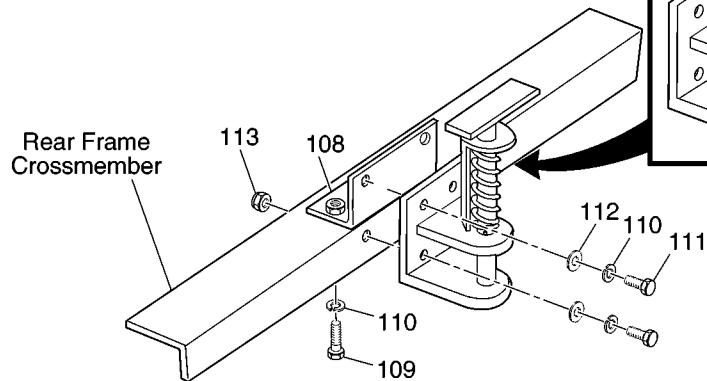
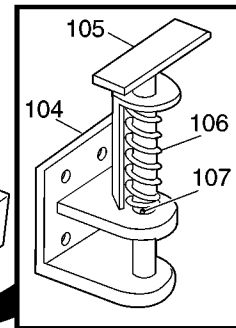
952 STAKE SIDES (OPTIONAL)



OPTIONAL HITCHES



103 - Includes Items 104 - 107



CARGO DECKS AND HITCHES

THE USE OF NON U.L. PARTS WILL VOID ANY U.L. LISTING.

When ordering parts, please specify the model and serial number of the product.

* Indicates a component that is not available as an individual part.

G** Indicates consult Customer Service Department for additional information.

| ITEM | PART NO. | 1 | 2 | 3 | 4 | 5 | DESCRIPTION | QTY. |
|------|-----------|---|---|---|---|---|---|------|
| 1 | 34621-G01 | | | | | | BED FRAME | 1 |
| 2 | 35621-G01 | | | | | | CARGO DECK (INCLUDES ITEM 3) | 1 |
| 3 | 01048-G01 | | | | | | TEE NUT, 1/4 - 20..... | 8 |
| 4 | 16705-G2 | | | | | | SCREW, 1/4 - 20 X 5/8" LG (STAINLESS STEEL) | 8 |
| 5 | 00664-G7 | | | | | | LOCK WASHER, 1/4" (STAINLESS STEEL) | 2 |
| 6 | 34430-G01 | | | | | | LATCH ASSEMBLY (INCLUDES ITEMS 7 - 11) | 1 |
| 7 | 34432-G01 | | | | | | LATCH PIN | 1 |
| 8 | 34434-G01 | | | | | | WASHER, 3/8" | 1 |
| 9 | 34431-G01 | | | | | | LATCH PLATE | 1 |
| 10 | 34433-G01 | | | | | | LATCH | 1 |
| 11 | 14390-G1 | | | | | | LOCK NUT, 3/8 - 24..... | 1 |
| 12 | | | | | | | | |
| 13 | | | | | | | | |
| 14 | | | | | | | | |
| 15 | 34298-G03 | | | | | | HINGE (DRIVER SIDE)..... | 1 |
| 16 | 34298-G04 | | | | | | HINGE (PASSENGER SIDE) | 1 |
| 17 | | | | | | | | |
| 18 | 16705-G9 | | | | | | SCREW, 1/4 - 20 X 1 1/4" LG (STAINLESS STEEL) | 2 |
| 19 | 34176-G01 | | | | | | RUBBER WASHER..... | 2 |
| 20 | 14390-G4 | | | | | | LOCK NUT, 1/4 - 20 | 4 |
| 21 | 16705-G1 | | | | | | SCREW, 1/4 - 20 X 1" LG (STAINLESS STEEL) | 2 |
| 22 | 30036-G1 | | | | | | RUBBER WASHER..... | 2 |
| 23 | | | | | | | | |
| 24 | 34711-G01 | | | | | | BED FRAME SUPPORT | 2 |
| 25 | 00976-G08 | | | | | | SCREW, 5/16 - 18 X 1" LG (STAINLESS STEEL) | 2 |
| 26 | 00891-G3 | | | | | | LOCK NUT, 5/16 - 18 | 4 |
| 27 | 00438-G8 | | | | | | BOLT, 5/16 - 18 X 1" LG..... | 2 |
| 28 | | | | | | | | |
| 29 | 34776-G01 | | | | | | STAKE SIDE (DRIVER SIDE) | 1 |
| 30 | 34776-G02 | | | | | | STAKE SIDE (PASSENGER SIDE)..... | 1 |

CARGO DECKS AND HITCHES

THE USE OF NON U.L. PARTS WILL VOID ANY U.L. LISTING.

When ordering parts, please specify the model and serial number of the product.

* Indicates a component that is not available as an individual part.

G** Indicates consult Customer Service Department for additional information.

| ITEM | PART NO. | 1 2 3 4 5 | DESCRIPTION | QTY. |
|------|-----------|-----------|---|------|
| 31 | 32802-G1 | | WOOD SPACER | 4 |
| 32 | 00130-G9 | | SCREW, #10 - 13 X 1 1/4" LG..... | 4 |
| 33 | | | | |
| 34 | 34616-G01 | | BED FRAME | 1 |
| 35 | 35621-G01 | | CARGO DECK (INCLUDES ITEM 36) | 1 |
| 36 | 01048-G01 | | TEE NUT, 1/4 - 20..... | 8 |
| 37 | 16705-G2 | | SCREW, 1/4 - 20 X 5/8" LG (STAINLESS STEEL) | 8 |
| 38 | 00664-G7 | | LOCK WASHER, 1/4" (STAINLESS STEEL) | 2 |
| 39 | 34430-G01 | | LATCH ASSEMBLY (INCLUDES ITEMS 40 - 44) | 1 |
| 40 | 34432-G01 | | LATCH PIN | 1 |
| 41 | 34434-G01 | | WASHER, 3/8" | 1 |
| 42 | 34431-G01 | | LATCH PLATE | 1 |
| 43 | 34433-G01 | | LATCH | 1 |
| 44 | 14390-G1 | | LOCK NUT, 3/8 - 24 | 1 |
| 45 | | | | |
| 46 | | | | |
| 47 | | | | |
| 48 | 34298-G03 | | HINGE (DRIVER SIDE)..... | 1 |
| 49 | 34298-G04 | | HINGE (PASSENGER SIDE) | 1 |
| 50 | | | | |
| 51 | 35620-G01 | | FORWARD CARGO DECK (INCLUDES ITEM 52)..... | 1 |
| 52 | 01048-G01 | | TEE NUT, 1/4 - 20..... | 8 |
| 53 | 16705-G2 | | SCREW, 1/4 - 20 X 5/8" LG (STAINLESS STEEL) | 8 |
| 54 | 00664-G7 | | LOCK WASHER, 1/4" (STAINLESS STEEL) | 2 |
| 55 | 34430-G01 | | LATCH ASSEMBLY (INCLUDES ITEMS 56 - 60) | 1 |
| 56 | 34432-G01 | | LATCH PIN | 1 |
| 57 | 34434-G01 | | WASHER, 3/8" | 1 |
| 58 | 34431-G01 | | LATCH PLATE | 1 |
| 59 | 34433-G01 | | LATCH | 1 |
| 60 | 14390-G1 | | LOCK NUT, 3/8 - 24 | 1 |

CARGO DECKS AND HITCHES

THE USE OF NON U.L. PARTS WILL VOID ANY U.L. LISTING.

When ordering parts, please specify the model and serial number of the product.

* Indicates a component that is not available as an individual part.

G** Indicates consult Customer Service Department for additional information.

| ITEM | PART NO. | 1 | 2 | 3 | 4 | 5 | DESCRIPTION | QTY. |
|------|-----------|---|---|---|---|---|---|------|
| 61 | | | | | | | | |
| 62 | | | | | | | | |
| 63 | | | | | | | | |
| 64 | 34298-G03 | | | | | | HINGE (DRIVER SIDE)..... | 1 |
| 65 | 34298-G04 | | | | | | HINGE (PASSENGER SIDE) | 1 |
| 66 | | | | | | | | |
| 67 | 34615-G01 | | | | | | BED FRAME SUPPORT | 1 |
| 68 | 34711-G01 | | | | | | REAR BED FRAME SUPPORT | 2 |
| 69 | 34435-G01 | | | | | | DECK SPACER..... | 2 |
| 70 | 00685-G7 | | | | | | BOLT, 5/16 - 18 X 1 3/4" LG (STAINLESS STEEL)..... | 2 |
| 71 | 00660-G8 | | | | | | WASHER, 5/16" (STAINLESS STEEL) | 2 |
| 72 | 30036-G1 | | | | | | RUBBER WASHER..... | 2 |
| 73 | 00891-G3 | | | | | | LOCK NUT, 5/16 - 18 | 2 |
| 74 | 16705-G3 | | | | | | SCREW, 1/4 - 20 X 3/4" LG (STAINLESS STEEL) | 2 |
| 75 | 14390-G4 | | | | | | LOCK NUT, 1/4 - 20 | 6 |
| 76 | 00414-G6 | | | | | | BOLT, 1/4 - 20 X 3/4" LG | 4 |
| 77 | 00715-G1 | | | | | | BOLT, 5/16 - 18 X 7/8" LG | 4 |
| 78 | 16705-G9 | | | | | | SCREW, 1/4 - 20 X 1 1/4" LG (STAINLESS STEEL) | 4 |
| 79 | 34176-G01 | | | | | | RUBBER WASHER..... | 4 |
| 80 | 00976-G08 | | | | | | SCREW, 5/16 - 18 X 1" LG (STAINLESS STEEL) | 2 |
| 81 | 00891-G3 | | | | | | LOCK NUT, 5/16 - 18 | 4 |
| 82 | 00438-G8 | | | | | | BOLT, 5/16 - 18 X 1" LG | 2 |
| 83 | | | | | | | | |
| 84 | 34523-G03 | | | | | | STAKE SIDE, 44 1/2" (REAR)..... | 1 |
| 85 | 34775-G02 | | | | | | STAKE SIDE, (DRIVER SIDE) | 1 |
| 86 | 34775-G01 | | | | | | STAKE SIDE, (PASSENGER SIDE)..... | 1 |
| 87 | 32787-G1 | | | | | | RAIL POCKET..... | 8 |
| 88 | 32802-G1 | | | | | | WOOD SPACER | 8 |
| 89 | 00130-G9 | | | | | | SCREW, #10 - 13 X 1 1/4" LG..... | 8 |
| 90 | 00414-G6 | | | | | | BOLT, 1/4 - 20 X 3/4" LG | 32 |

CARGO DECKS AND HITCHES

THE USE OF NON U.L. PARTS WILL VOID ANY U.L. LISTING.

When ordering parts, please specify the model and serial number of the product.

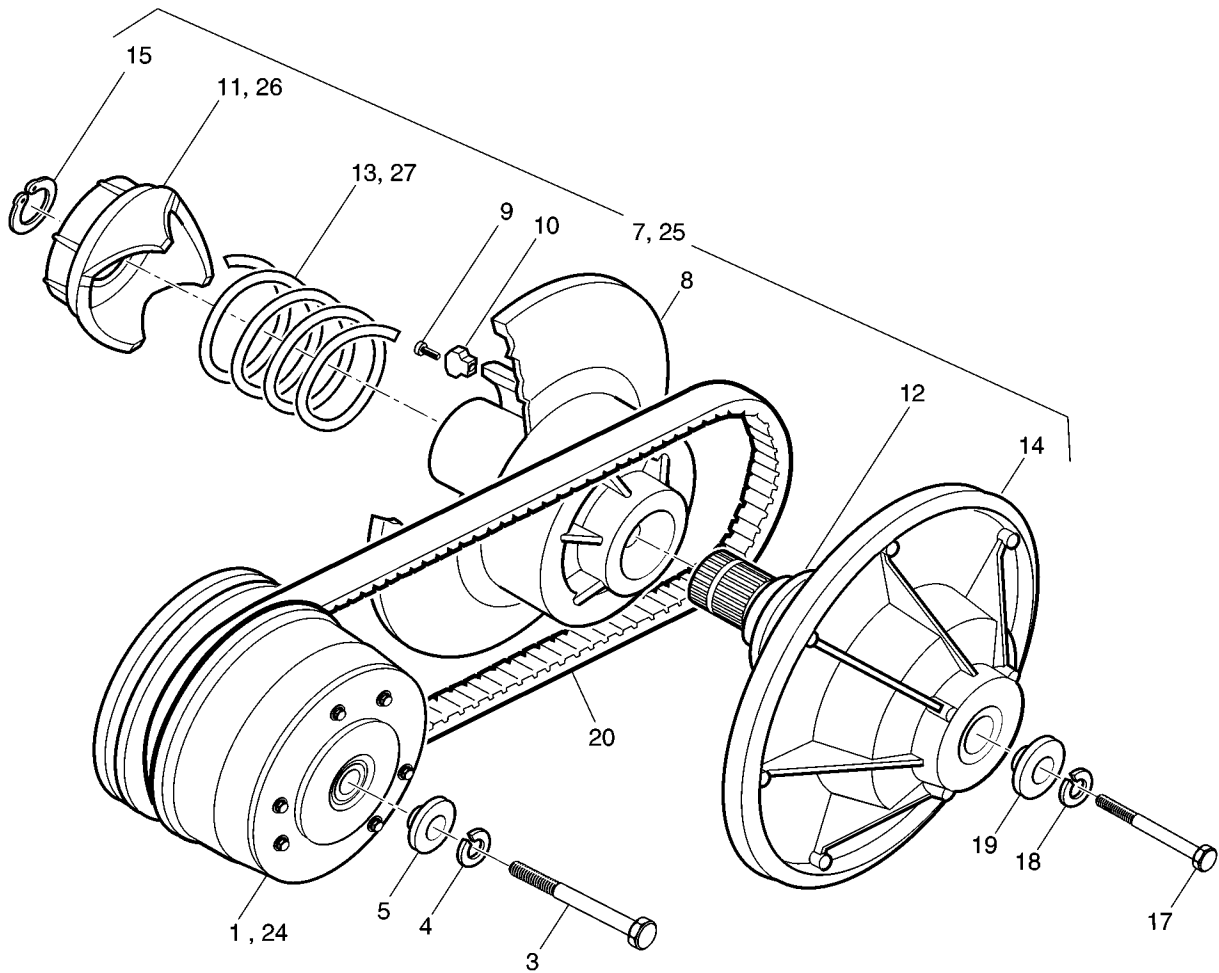
* Indicates a component that is not available as an individual part.

G** Indicates consult Customer Service Department for additional information.

| ITEM | PART NO. | 1 2 3 4 5 | DESCRIPTION | QTY. |
|------|-----------|-----------|--|------|
| 91 | 01110-G01 | | WASHER, 1/4" (STAINLESS STEEL) | 32 |
| 92 | 00664-G7 | | LOCK WASHER, 1/4" (STAINLESS STEEL) | 32 |
| 93 | 00532-G1 | | NUT, 1/4 - 20 | 32 |
| 94 | | | | |
| 95 | 30817-G1 | | PINTLE HITCH..... | 1 |
| 96 | 33805-G01 | | BACKING PLATE | 1 |
| 97 | 00665-G2 | | BOLT, 3/8 - 16 X 1" LG (STAINLESS STEEL)..... | 2 |
| 98 | 00670-G1 | | LOCK WASHER, 3/8" (STAINLESS STEEL) | 6 |
| 99 | 00665-G4 | | BOLT, 3/8 - 16 X 1 1/2" LG (STAINLESS STEEL)..... | 4 |
| 100 | 00653-G1 | | WASHER, 3/8" (STAINLESS STEEL) | 4 |
| 101 | 11027-G5 | | LOCK NUT, 3/8 - 16 | 2 |
| 102 | | | | |
| 103 | 33731-G01 | | 'E' HITCH ASSEMBLY (INCLUDES ITEMS 104 - 107)..... | 1 |
| 104 | 33730-G01 | | HITCH | 1 |
| 105 | 30838-G1 | | PIN | 1 |
| 106 | 30843-G1 | | COMPRESSION SPRING | 1 |
| 107 | 10686-G8 | | SLOTTED PIN, 3/16" X 1 1/2" LG..... | 1 |
| 108 | 33805-G01 | | BACKING PLATE | 1 |
| 109 | 00665-G2 | | BOLT, 3/8 - 16 X 1" LG (STAINLESS STEEL)..... | 2 |
| 110 | 00670-G1 | | LOCK WASHER, 3/8" (STAINLESS STEEL) | 6 |
| 111 | 00665-G4 | | BOLT, 3/8 - 16 X 1 1/2" LG (STAINLESS STEEL)..... | 4 |
| 112 | 00653-G1 | | WASHER, 3/8" (STAINLESS STEEL) | 4 |
| 113 | 11027-G5 | | LOCK NUT, 3/8 - 16 | 2 |

CARGO DECKS AND HITCHES

CLUTCH



Ref Clt 6-1

CLUTCH

THE USE OF NON U.L. PARTS WILL VOID ANY U.L. LISTING.

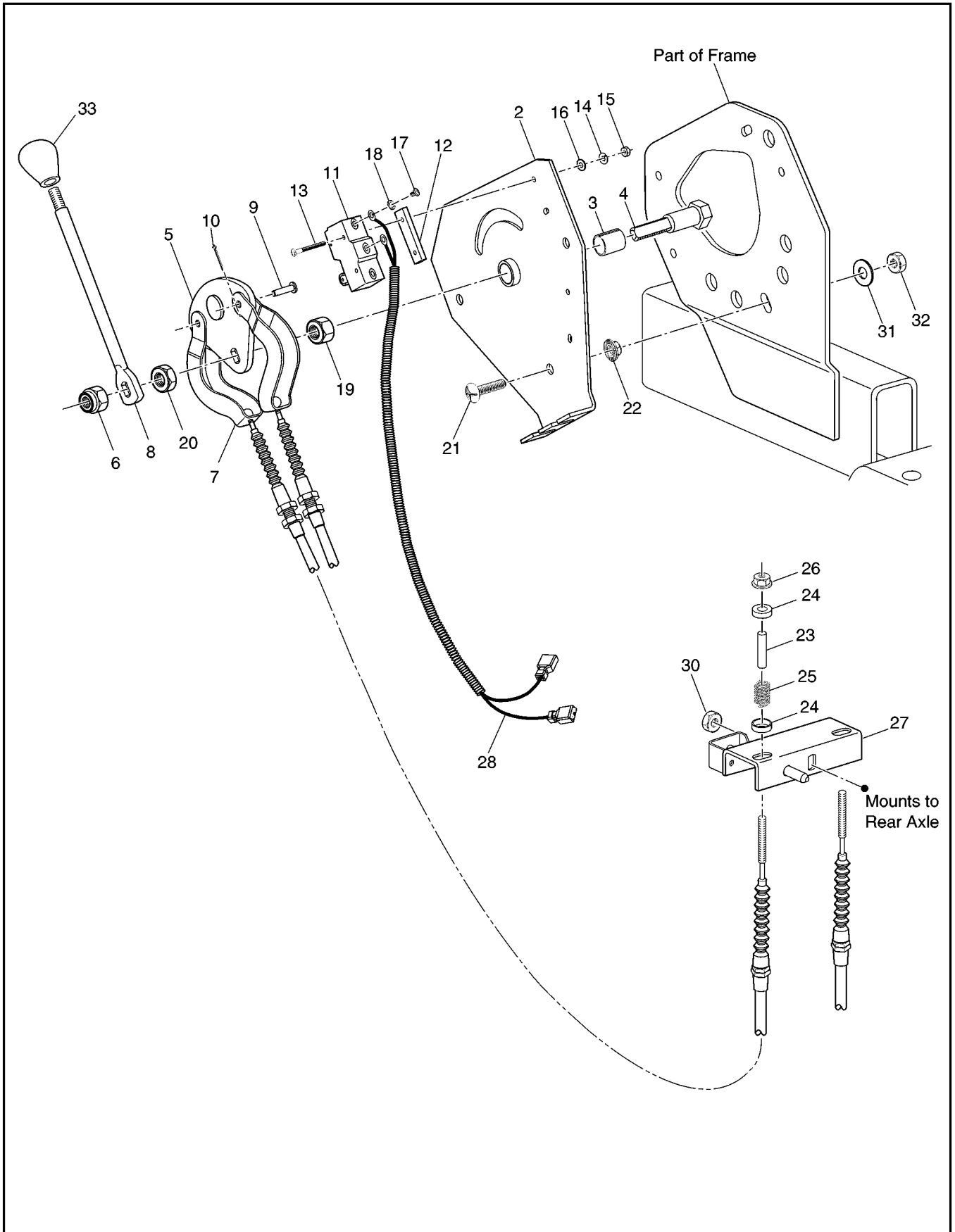
When ordering parts, please specify the model and serial number of the product.

* Indicates a component that is not available as an individual part.

G** Indicates consult Customer Service Department for additional information.

| ITEM | PART NO. | 1 2 3 4 5 | DESCRIPTION | QTY. |
|------|-----------|-----------|--|------|
| 1 | 26952-G01 | | DRIVE CLUTCH | 1 |
| 2 | | | | |
| 3 | 00473-G9 | | BOLT, 7/16 - 20 X 6 1/2" LG | 1 |
| 4 | 00566-G2 | | LOCK WASHER, 7/16"..... | 1 |
| 5 | 25757-G1 | | PILOT WASHER | 1 |
| 6 | | | | |
| 7 | 26301-G02 | | DRIVEN CLUTCH ASSEMBLY (INCLUDES ITEMS 8 - 15) | 1 |
| 8 | * | | MOVABLE SHEAVE (INCLUDES ITEMS 9 -10)..... | 1 |
| 9 | 00979-G01 | | SCREW, #10 - 24 X 7/8" LG..... | 3 |
| 10 | 26479-G01 | | RAMP BUTTON | 3 |
| 11 | * | | CAM..... | 1 |
| 12 | 24600-G1 | | SPACER, 1 1/2" | 1 |
| 13 | 26304-G01 | | COMPRESSION SPRING | 1 |
| 14 | * | | SHEAVE AND POST | 1 |
| 15 | 27270-G01 | | HEAVY DUTY RETAINING RING | 1 |
| 16 | | | | |
| 17 | 00441-G8 | | BOLT, 5/16 - 18 X 4" LG | 1 |
| 18 | 00565-G8 | | LOCK WASHER, 5/16"..... | 4 |
| 19 | 25756-G1 | | RETAINING WASHER | 1 |
| 20 | 72328-G01 | | DRIVE BELT (SEVERE DUTY)..... | 1 |
| 21 | | | | |
| 22 | | | | |
| 23 | | | | |
| 24 | 26952-G02 | | DRIVE CLUTCH (HIGH ALTITUDE) | 1 |
| 25 | 25632-G03 | | DRIVEN CLUTCH (HIGH ALTITUDE) (INCLUDES ITEMS 8, 12, 14, 15, 26, 27)..... | 1 |
| 26 | * | | CAM..... | 1 |
| 27 | 25612-G1 | | COMPRESSION SPRING | 1 |

DIRECTION SELECTOR



DIRECTION SELECTOR

THE USE OF NON U.L. PARTS WILL VOID ANY U.L. LISTING.

When ordering parts, please specify the model and serial number of the product.

* Indicates a component that is not available as an individual part.

G** Indicates consult Customer Service Department for additional information.

| ITEM | PART NO. | 1 | 2 | 3 | 4 | 5 | DESCRIPTION | QTY. |
|------|-----------|---|---|---|---|---|---|------|
| 1 | | | | | | | | |
| 2 | 34172-G01 | | | | | | BRACKET | 1 |
| 3 | 25664-G1 | | | | | | BUSHING | 1 |
| 4 | 34170-G01 | | | | | | SHAFT..... | 1 |
| 5 | 25745-G01 | | | | | | DIRECTION SELECTOR CAM | 1 |
| 6 | 14390-G1 | | | | | | LOCK NUT, 3/8 - 24 | 1 |
| 7 | 72400-G01 | | | | | | SHIFTER CONTROL CABLE..... | 1 |
| 8 | 34168-G01 | | | | | | SHIFTER ARM | 1 |
| 9 | 23176-G1 | | | | | | CLEVIS PIN, 3/16" X 7/16"..... | 2 |
| 10 | 10387-G8 | | | | | | COTTER PIN, 1/16" X 3/4" LG | 2 |
| 11 | 10606-G6 | | | | | | MICRO SWITCH | 1 |
| 12 | 27151-G01 | | | | | | SPACER..... | 1 |
| 13 | 00645-G2 | | | | | | SCREW, #6 - 32 X 1 1/4" LG..... | 2 |
| 14 | 00565-G3 | | | | | | LOCK WASHER, #6 | 2 |
| 15 | 00525-G5 | | | | | | NUT, #6 - 32 | 2 |
| 16 | 00559-G3 | | | | | | WASHER, #6..... | 2 |
| 17 | 13514-G1 | | | | | | SCREW, #6 - 32 X 1/4" LG (BRASS)..... | 2 |
| 18 | 00567-G3 | | | | | | LOCK WASHER, #6 | 2 |
| 19 | 00532-G6 | | | | | | NUT, 3/8 - 24 | 1 |
| 20 | 00544-G6 | | | | | | JAM NUT, 3/8 - 24 | 1 |
| 21 | 16705-G1 | | | | | | SCREW, 1/4 - 20 X 1" LG (STAINLESS STEEL) | 3 |
| 22 | 11027-G2 | | | | | | LOCK NUT, 1/4 - 20 | 3 |
| 23 | 23726-G5 | | | | | | SPACER, 1 1/8"..... | 2 |
| 24 | 25727-G01 | | | | | | CUP WASHER, 1/4" | 4 |
| 25 | 27764-G01 | | | | | | SPRING..... | 2 |
| 26 | 11098-G7 | | | | | | LOCK NUT, #10 - 24 | 2 |
| 27 | 72099-G01 | | | | | | SHIFTER CONTROL PIVOT..... | 1 |
| 28 | 34159-G01 | | | | | | WIRING HARNESS..... | 1 |
| 29 | | | | | | | | |
| 30 | 26830-G01 | | | | | | LOCK NUT, M8 X 1.25 | 1 |

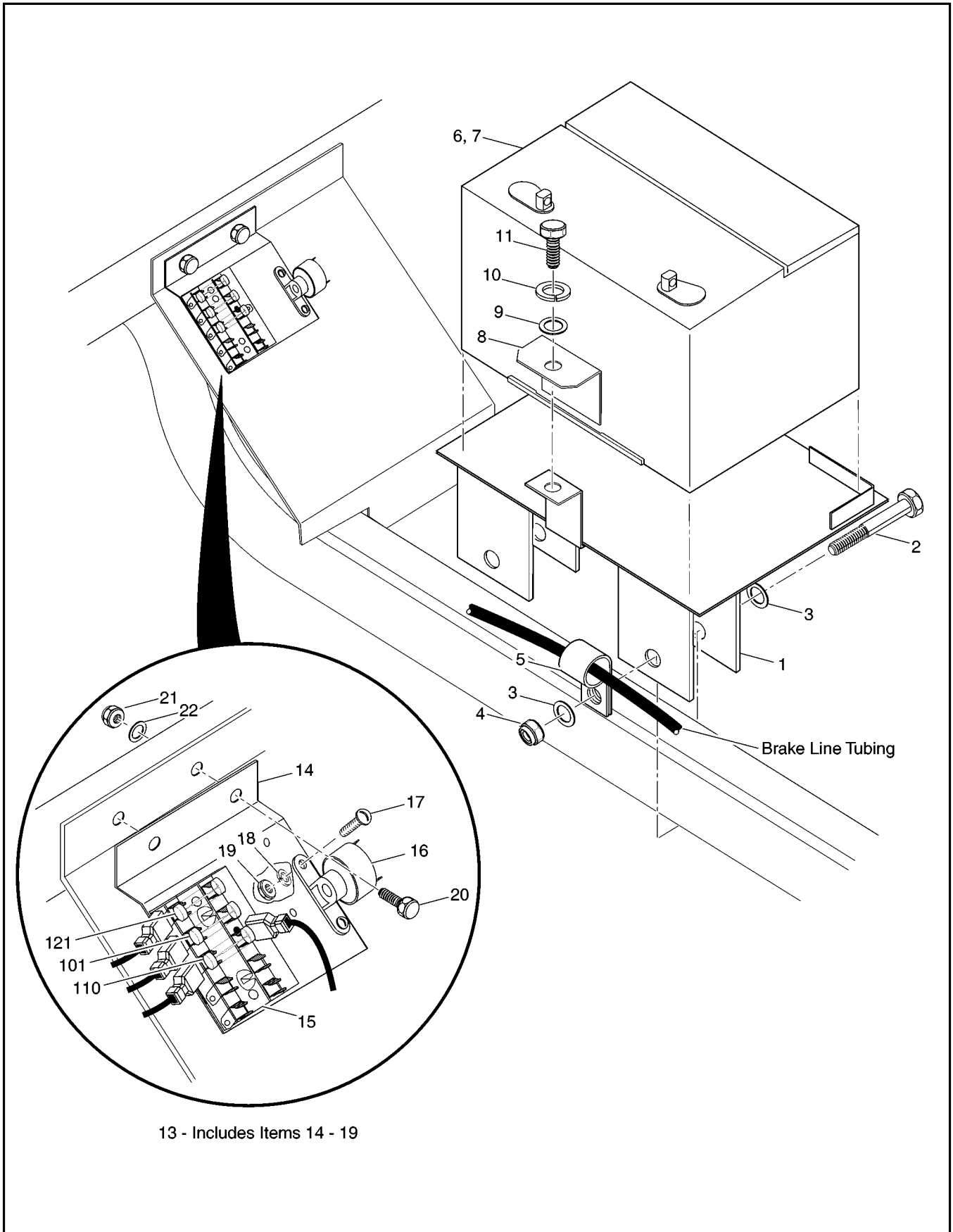
DIRECTION SELECTOR

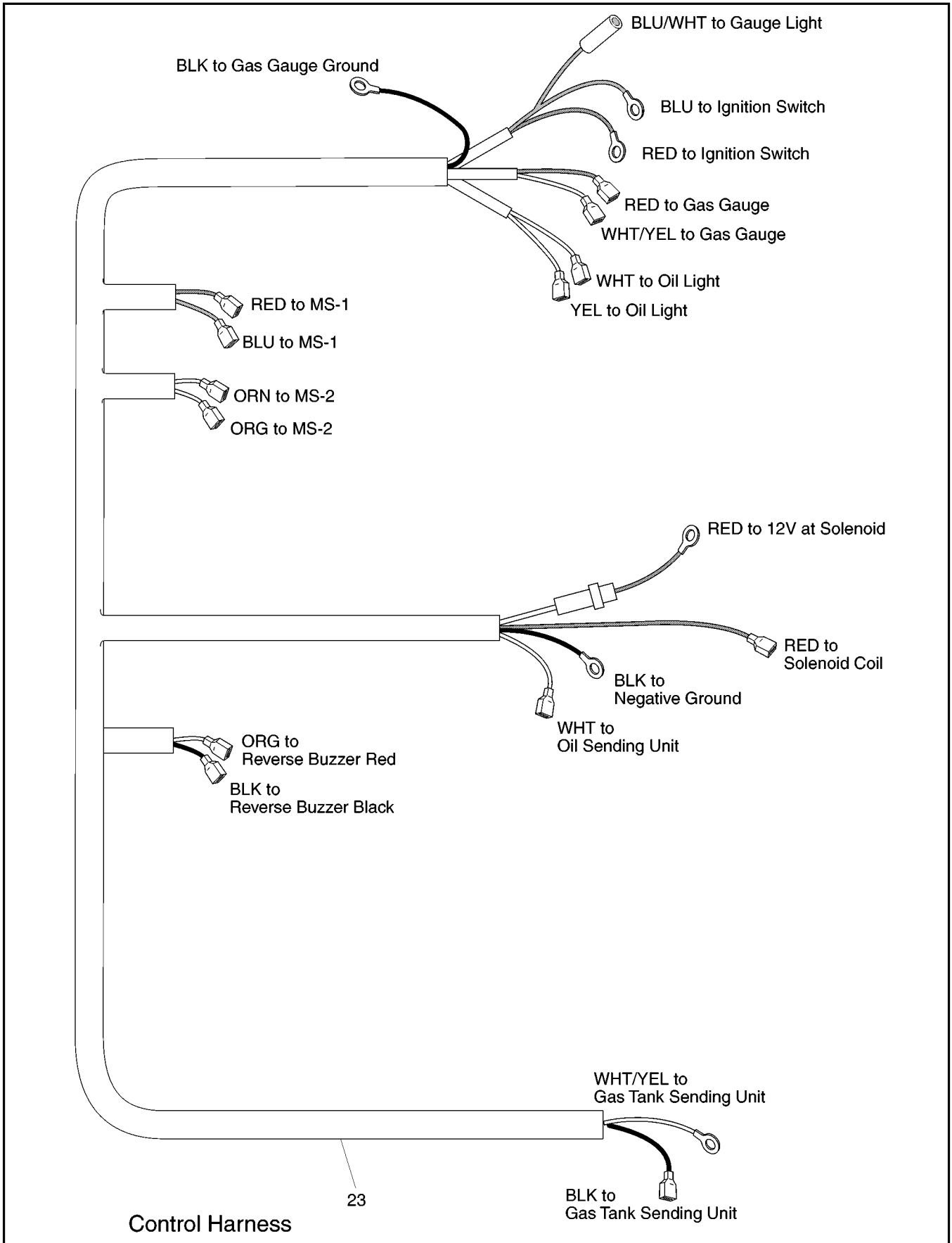
THE USE OF NON U.L. PARTS WILL VOID ANY U.L. LISTING.
 When ordering parts, please specify the model and serial number of the product.
 * Indicates a component that is not available as an individual part.
 G** Indicates consult Customer Service Department for additional information.

| ITEM | PART NO. | 1 | 2 | 3 | 4 | 5 | DESCRIPTION | QTY. |
|------|-----------|---|---|---|---|---|--------------------------------------|------|
| 31 | 01110-G01 | | | | | | WASHER, 1/4" (STAINLESS STEEL) | 3 |
| 32 | 14390-G4 | | | | | | LOCK NUT, 1/4 - 20 | 3 |
| 33 | 11989-G1 | | | | | | KNOB | 1 |

DIRECTION SELECTOR

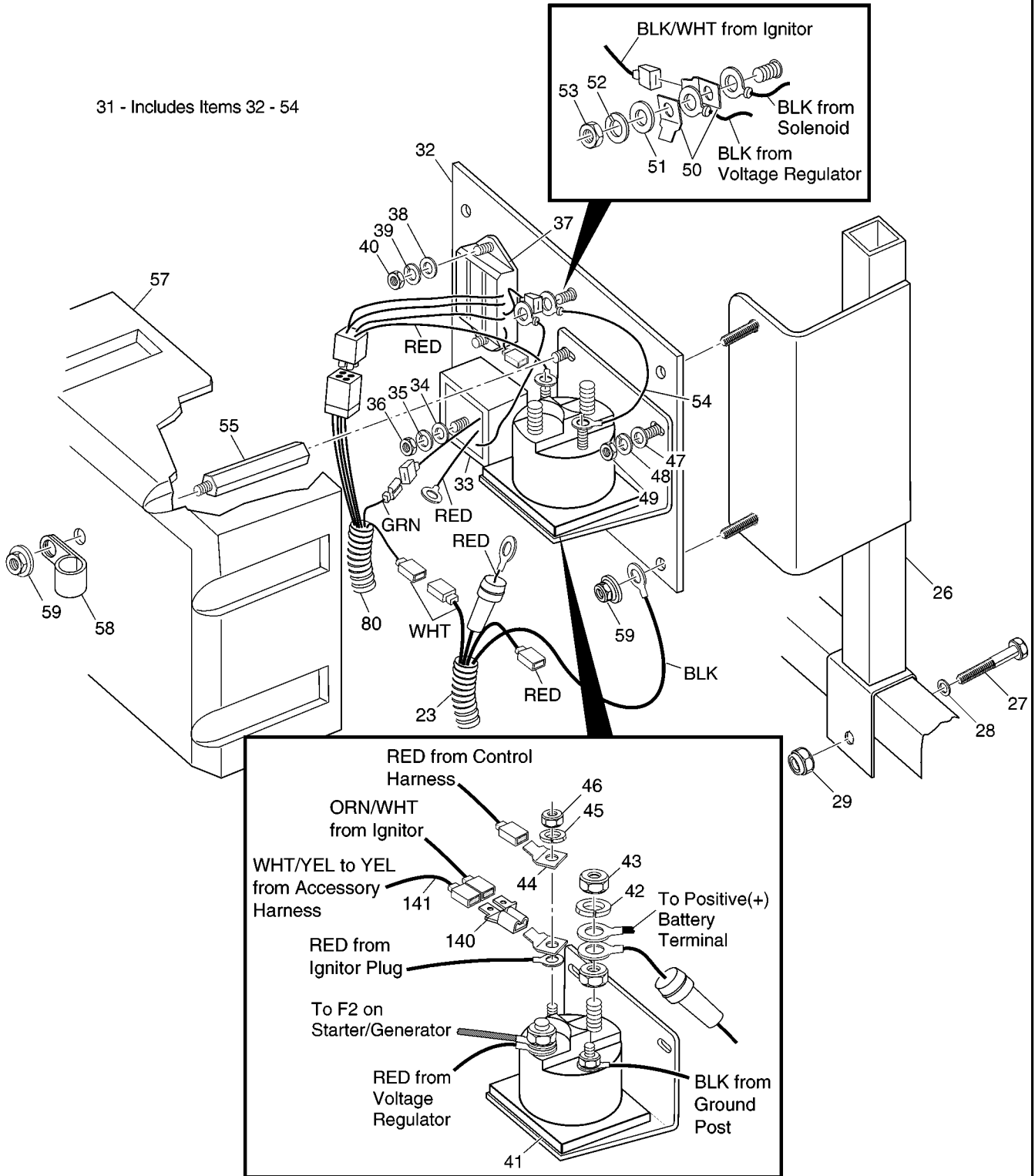
ELECTRICAL

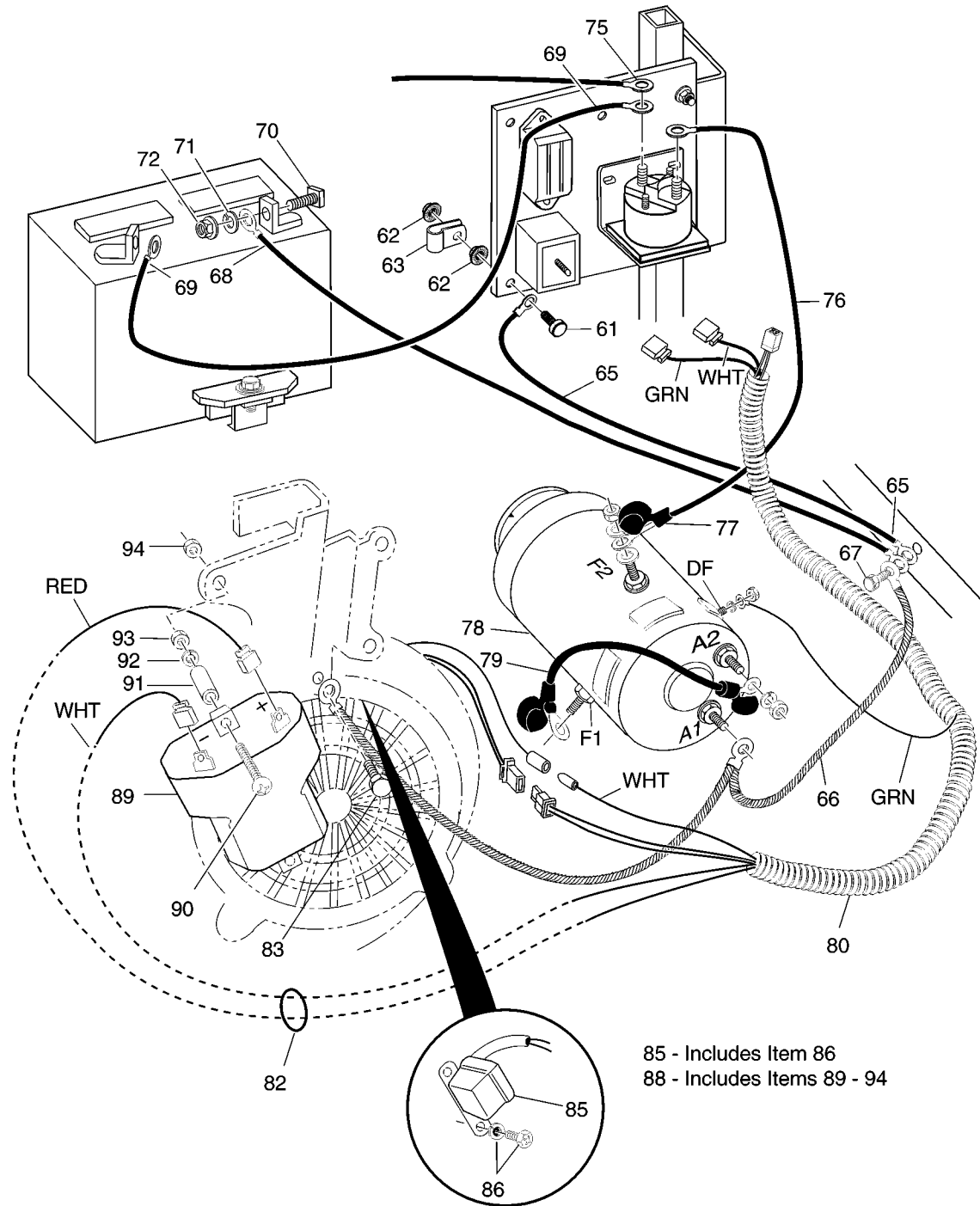




ELECTRICAL

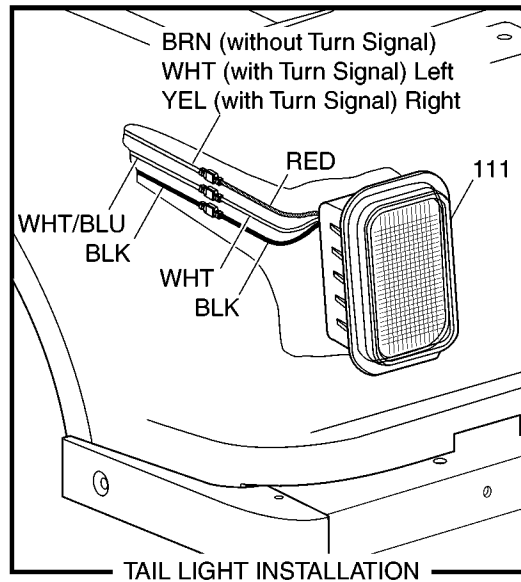
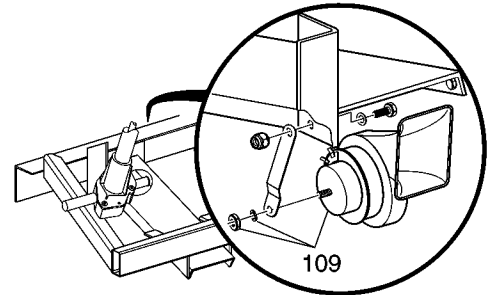
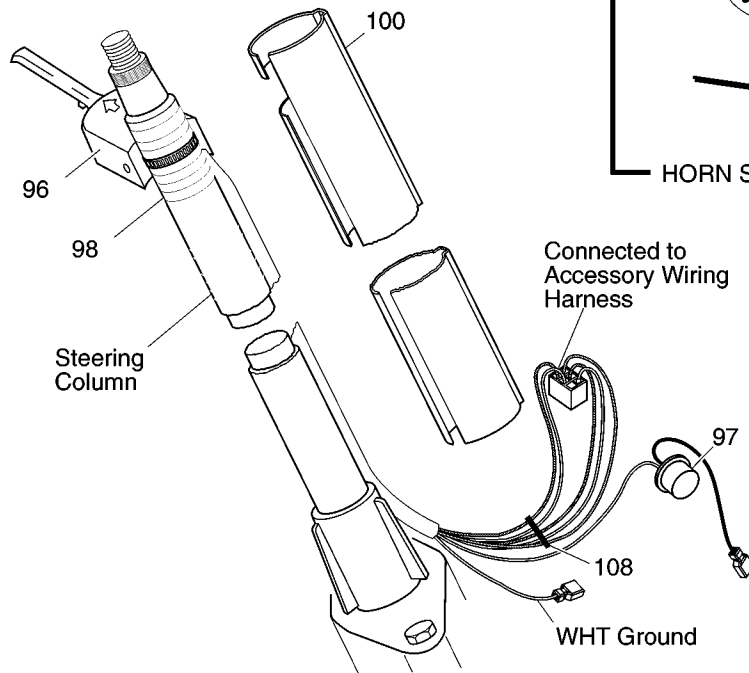
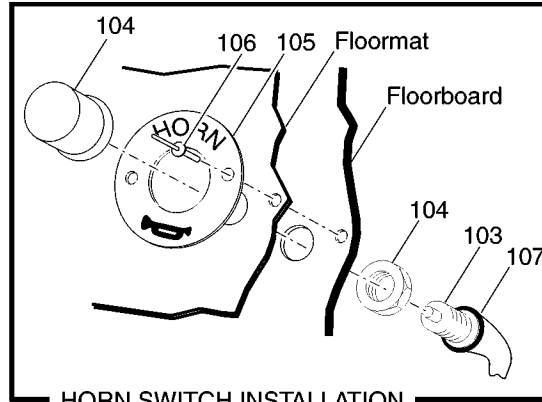
31 - Includes Items 32 - 54

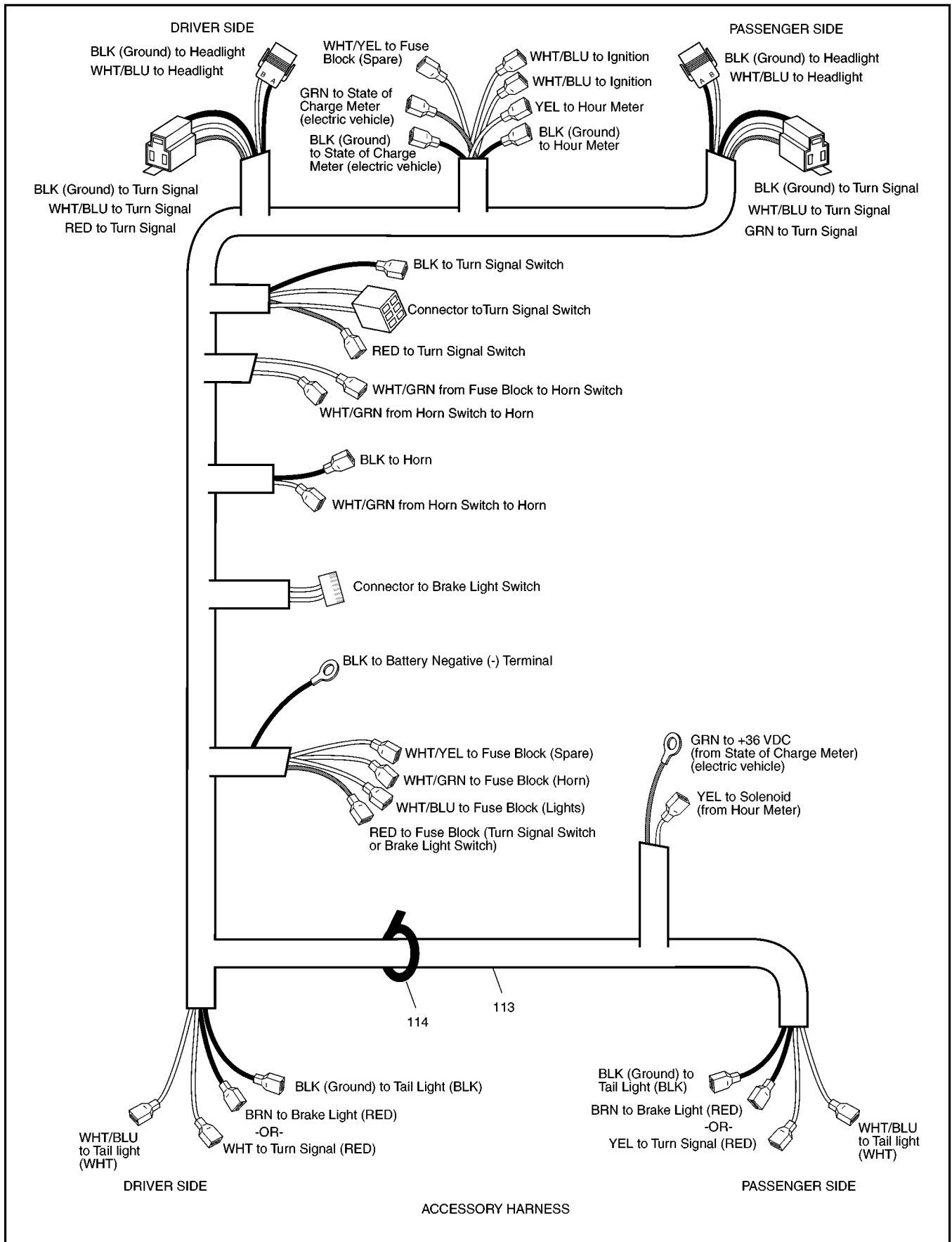




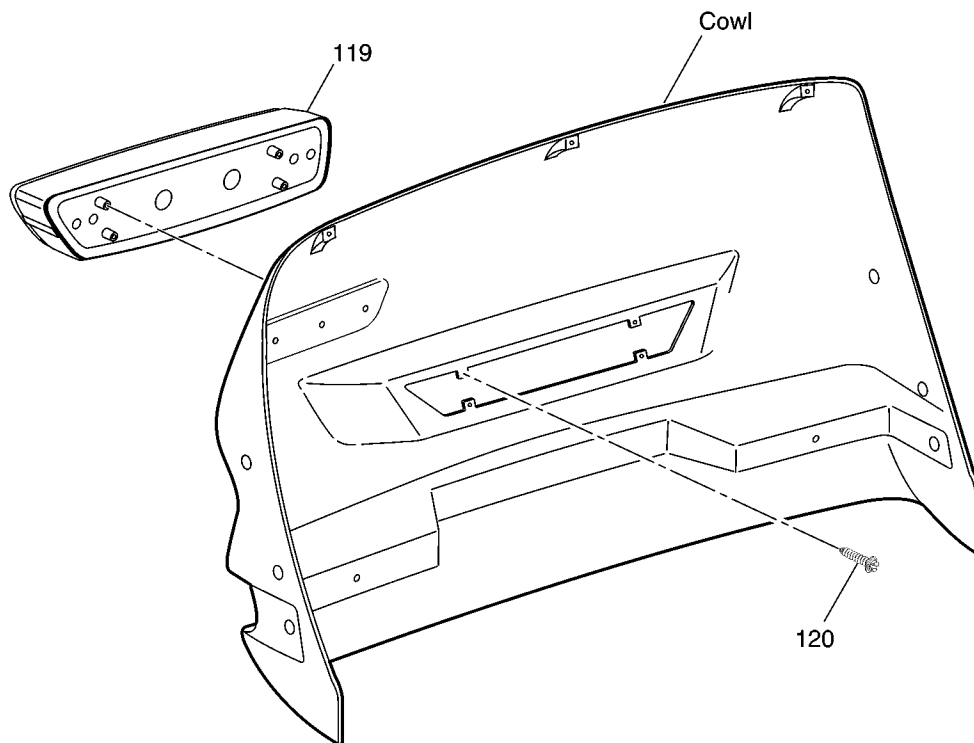
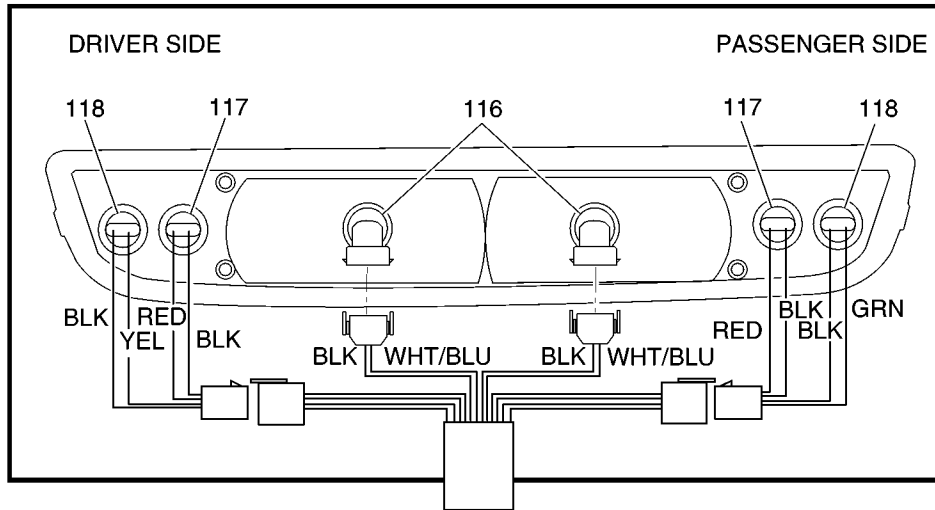
ELECTRICAL

103 - Includes Item 104
96 - Includes Item 97

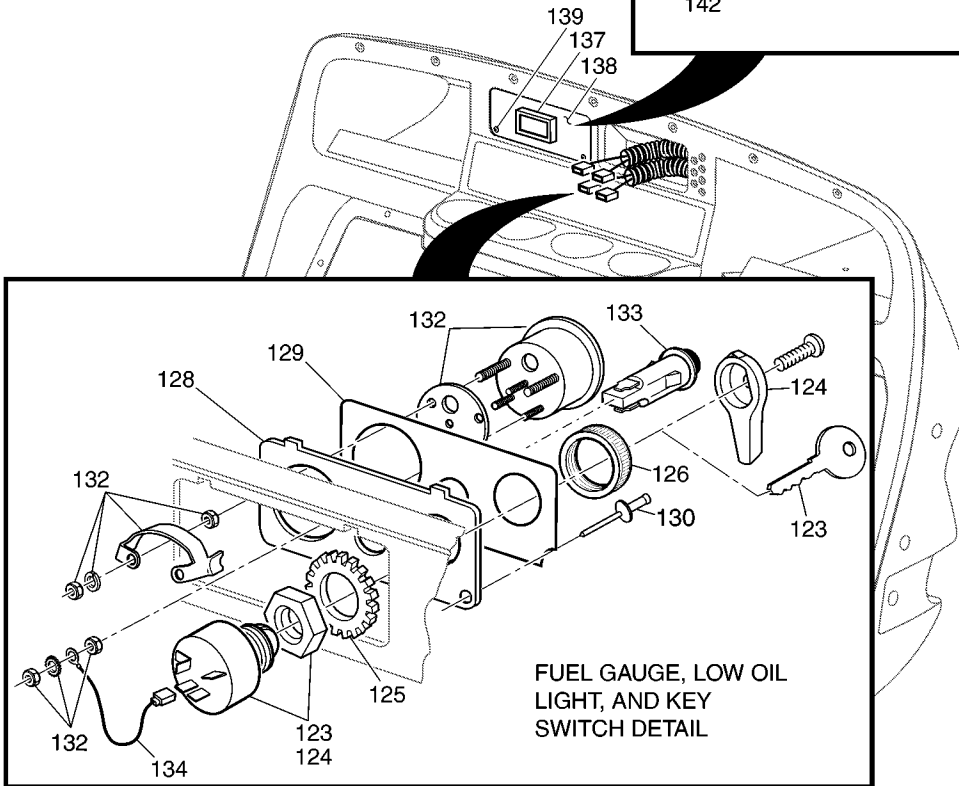
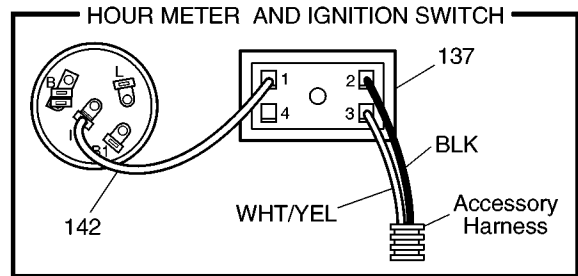




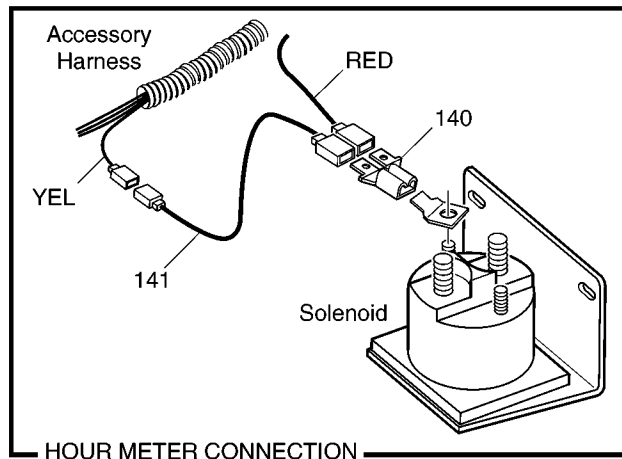
ELECTRICAL



136 Includes Items 137 - 142



FUEL GAUGE, LOW OIL LIGHT, AND KEY SWITCH DETAIL



HOUR METER CONNECTION

ELECTRICAL

THE USE OF NON U.L. PARTS WILL VOID ANY U.L. LISTING.

When ordering parts, please specify the model and serial number of the product.

* Indicates a component that is not available as an individual part.

G** Indicates consult Customer Service Department for additional information.

| ITEM | PART NO. | 1 2 3 4 5 | DESCRIPTION | QTY. |
|------|-----------|-----------|---|------|
| 1 | 34037-G01 | | BATTERY TRAY | 1 |
| 2 | 00428-G8 | | BOLT, 3/8 - 16 X 3" LG | 2 |
| 3 | 00560-G1 | | WASHER, 3/8" | 4 |
| 4 | 11098-G5 | | LOCK NUT, 3/8 - 16 | 2 |
| 5 | 34750-G01 | | 'J' CLIP | 1 |
| 6 | 24775-G1 | | 12 VOLT BATTERY (STANDARD) | 1 |
| 7 | 24775-G2 | | 12 VOLT HD BATTERY (HEAVY DUTY) (OPTIONAL) | 1 |
| 8 | 72101-G01 | | BATTERY HOLD DOWN..... | 1 |
| 9 | 00561-G8 | | WASHER, 5/16" | 1 |
| 10 | 00565-G8 | | LOCK WASHER, 5/16"..... | 1 |
| 11 | 00438-G6 | | BOLT, 5/16 - 18 X 3/4" LG | 1 |
| 12 | | | | |
| 13 | 70574-G02 | | FUSE BLOCK ASSEMBLY (INCLUDES ITEMS 14 - 19)..... | 1 |
| 14 | 34221-G01 | | MOUNTING PLATE | 1 |
| 15 | 22674-G1 | | FUSE BLOCK | 1 |
| 16 | 73290-G02 | | BUZZER, CONTINUOUS TONE | 1 |
| 17 | 00138-G4 | | SCREW, #6 - 32 X 1/2" LG | 4 |
| 18 | 00565-G3 | | LOCK WASHER, #6 | 4 |
| 19 | 00525-G5 | | NUT, #6 - 32..... | 4 |
| 20 | 00933-G1 | | BOLT, 1/4 - 20 X 1 1/4" LG | 2 |
| 21 | 00654-G2 | | LOCK NUT, 1/4 - 20 (STAINLESS STEEL) | 2 |
| 22 | 01110-G01 | | WASHER, 1/4" (STAINLESS STEEL) | 2 |
| 23 | 34464-G01 | | WIRE HARNESS (CONTROL)..... | 1 |
| 24 | 31539-G1 | | WIRE TIE (NOT ILLUSTRATED) | 10 |
| 25 | | | | |
| 26 | 34324-G01 | | STANCHION..... | 1 |
| 27 | 00428-G8 | | BOLT, 3/8 - 16 X 3" LG | 1 |
| 28 | 00560-G1 | | WASHER, 3/8" | 1 |
| 29 | 11098-G5 | | LOCK NUT, 3/8 - 16 | 1 |
| 30 | | | | |

ELECTRICAL

THE USE OF NON U.L. PARTS WILL VOID ANY U.L. LISTING.

When ordering parts, please specify the model and serial number of the product.

* Indicates a component that is not available as an individual part.

G** Indicates consult Customer Service Department for additional information.

| ITEM | PART NO. | 1 | 2 | 3 | 4 | 5 | DESCRIPTION | QTY. |
|------|-----------|---|---|---|---|---|--|------|
| 31 | 27740-G02 | | | | | | ELECTRICAL PLATE ASSEMBLY (INCLUDES ITEMS 32 - 54) | 1 |
| 32 | * | | | | | | ELECTRONICS PLATE | 1 |
| 33 | 27739-G01 | | | | | | VOLTAGE REGULATOR | 1 |
| 34 | 00650-G7 | | | | | | WASHER, 1/4" | 1 |
| 35 | 00664-G7 | | | | | | LOCK WASHER, 1/4" (STAINLESS STEEL) | 1 |
| 36 | 00532-G1 | | | | | | NUT, 1/4 - 20..... | 1 |
| 37 | 72562-G01 | | | | | | IGNITOR | 1 |
| 38 | 00650-G7 | | | | | | WASHER, 1/4" | 2 |
| 39 | 00664-G7 | | | | | | LOCK WASHER, 1/4" (STAINLESS STEEL) | 2 |
| 40 | 00532-G1 | | | | | | NUT, 1/4 - 20..... | 2 |
| 41 | 73341-G01 | | | | | | SOLENOID | 1 |
| 42 | * | | | | | | LOCK WASHER, 5/16" | 2 |
| 43 | * | | | | | | JAM NUT, 5/16 - 24..... | 2 |
| 44 | 12914-G1 | | | | | | FASTON TAB | 2 |
| 45 | * | | | | | | LOCK WASHER, #10 | 2 |
| 46 | * | | | | | | NUT, #10 - 32..... | 2 |
| 47 | 00650-G7 | | | | | | WASHER, 1/4" | 2 |
| 48 | 00664-G7 | | | | | | LOCK WASHER, 1/4" (STAINLESS STEEL) | 2 |
| 49 | 00532-G1 | | | | | | NUT, 1/4 - 20..... | 1 |
| 50 | 12914-G2 | | | | | | FASTON TAB | 2 |
| 51 | 00650-G7 | | | | | | WASHER, 1/4" | 1 |
| 52 | 00664-G7 | | | | | | LOCK WASHER, 1/4" (STAINLESS STEEL) | 1 |
| 53 | 00532-G1 | | | | | | NUT, 1/4 - 20..... | 1 |
| 54 | 25978-G56 | | | | | | 18 GA WIRE (BLACK 5 3/4") | 1 |
| 55 | 72003-G01 | | | | | | SPACER..... | 1 |
| 56 | | | | | | | | |
| 57 | 72004-G01 | | | | | | COVER..... | 1 |
| 58 | 11845-G7 | | | | | | INSULATED CABLE CLAMP, 1/2" | 1 |
| 59 | 11027-G2 | | | | | | LOCK NUT, 1/4 - 20 | 3 |
| 60 | | | | | | | | |

ELECTRICAL

THE USE OF NON U.L. PARTS WILL VOID ANY U.L. LISTING.

When ordering parts, please specify the model and serial number of the product.

* Indicates a component that is not available as an individual part.

G** Indicates consult Customer Service Department for additional information.

| ITEM | PART NO. | 1 2 3 4 5 | DESCRIPTION | QTY. |
|------|-----------|-----------|--|------|
| 61 | 00414-G6 | | BOLT, 1/4 - 20 X 3/4" LG | 1 |
| 62 | 11027-G2 | | LOCK NUT, 1/4 - 20 | 2 |
| 63 | 11845-G7 | | INSULATED CABLE CLAMP, 1/2" | 1 |
| 64 | | | | |
| 65 | 25976-G12 | | 14 GA WIRE (BLACK 10", ELECTRICAL PLATE - GRD)..... | 1 |
| 66 | 20294-G3 | | GROUND CABLE..... | 1 |
| 67 | 00715-G2 | | BOLT, 5/16 - 18 X 4/5" LG | 1 |
| 68 | 25972-G54 | | 6 GA WIRE (BLACK 13", B- - GRD)..... | 1 |
| 69 | 25972-G53 | | 6 GA WIRE (BLACK 24", B+ - SOL) | 1 |
| 70 | * | | SCREW, 5/16 - 18 X 1 1/4" LG..... | 2 |
| 71 | * | | LOCK WASHER, 5/16"..... | 2 |
| 72 | * | | NUT, 5/16 - 24 | 2 |
| 73 | | | | |
| 74 | | | | |
| 75 | 25977-G36 | | 16 GA WIRE (RED 42", SOL - FUSE BLOCK) | 1 |
| 76 | 25972-G52 | | 6 GA WIRE (BLACK 27", SOL - F2)..... | 1 |
| 77 | 16563-G1 | | RUBBER BOOT | 1 |
| 78 | XXXXX-XX | | STARTER/GENERATOR (SEE STARTER/GENERATOR SECTION)..... | 1 |
| 79 | 25887-G01 | | 6 GA WIRE (BLACK 6", F1 - A2)..... | 1 |
| 80 | 34219-G01 | | WIRE HARNESS (ENGINE CONTROL)..... | 1 |
| 81 | | | | |
| 82 | 17618-G1 | | WIRE TIE | 4 |
| 83 | 26676-G01 | | FLANGED BOLT, M6 X 1 X 23 MM LG | 1 |
| 84 | | | | |
| 85 | 26651-G02 | | IGNITION PICKUP ASSEMBLY (INCLUDES ITEM 86)..... | 1 |
| 86 | 26707-G01 | | BOLT AND WASHER, M5 X 0.8 X 10 MM LG..... | 2 |
| 87 | | | | |
| 88 | 26652-G01 | | IGNITION COIL ASSEMBLY (INCLUDES ITEMS 89 - 94) | 1 |
| 89 | * | | COIL..... | 1 |
| 90 | * | | SCREW..... | 1 |

ELECTRICAL

THE USE OF NON U.L. PARTS WILL VOID ANY U.L. LISTING.

When ordering parts, please specify the model and serial number of the product.

* Indicates a component that is not available as an individual part.

G** Indicates consult Customer Service Department for additional information.

| ITEM | PART NO. | 1 | 2 | 3 | 4 | 5 | DESCRIPTION | QTY. |
|------|-----------|---|---|---|---|---|---|------|
| 91 | * | | | | | | SPACER | 1 |
| 92 | * | | | | | | LOCK WASHER | 1 |
| 93 | * | | | | | | NUT..... | 1 |
| 94 | * | | | | | | NUT..... | 1 |
| 95 | | | | | | | | |
| 96 | 17867-G1 | | | | | | TURN SIGNAL (WITH MOUNTING HARDWARE) (OPTIONAL) (INCLUDES ITEM 97) | 1 |
| 97 | 21640-G1 | | | | | | TURN SIGNAL FLASHER | 1 |
| 98 | 19344-G1 | | | | | | VINYL ELECTRICAL TAPE..... | A/R |
| 99 | | | | | | | | |
| 100 | 32675-G3 | | | | | | STEERING COLUMN COVER..... | 1 |
| 101 | 18392-G1 | | | | | | 15 AMP FUSE | 1 |
| 102 | | | | | | | | |
| 103 | 17318-G1 | | | | | | HORN SWITCH (INCLUDES ITEM 104) | 1 |
| 104 | 17318-G2 | | | | | | HORN SWITCH CAP AND NUT | 1 |
| 105 | 19233-G1 | | | | | | PLATE (HORN LABEL) | 1 |
| 106 | 71055-G01 | | | | | | RIVET, 3/16" X 1" LG (ALUMINUM)..... | 2 |
| 107 | 27068-G01 | | | | | | BOOT | 1 |
| 108 | 31539-G1 | | | | | | WIRE TIE | 1 |
| 109 | 32860-G1 | | | | | | HORN..... | 1 |
| 110 | 18392-G1 | | | | | | 15 AMP FUSE | 1 |
| 111 | 32739-G2 | | | | | | STOP/ TAIL LIGHT..... | 2 |
| 112 | | | | | | | | |
| 113 | 34598-G01 | | | | | | WIRE HARNESS (ACCESSORY)..... | 1 |
| 114 | 31539-G1 | | | | | | WIRE TIE | 10 |
| 115 | | | | | | | | |
| 116 | 74004-G01 | | | | | | HEADLIGHT BULB, REPLACEMENT | A/R |
| 117 | 74005-G01 | | | | | | MARKER LIGHT BULB, REPLACEMENT | A/R |
| 118 | 74006-G01 | | | | | | TURN LIGHT BULB, REPLACEMENT | A/R |
| 119 | 74001-G01 | | | | | | LIGHT BAR | 1 |

ELECTRICAL

THE USE OF NON U.L. PARTS WILL VOID ANY U.L. LISTING.

When ordering parts, please specify the model and serial number of the product.

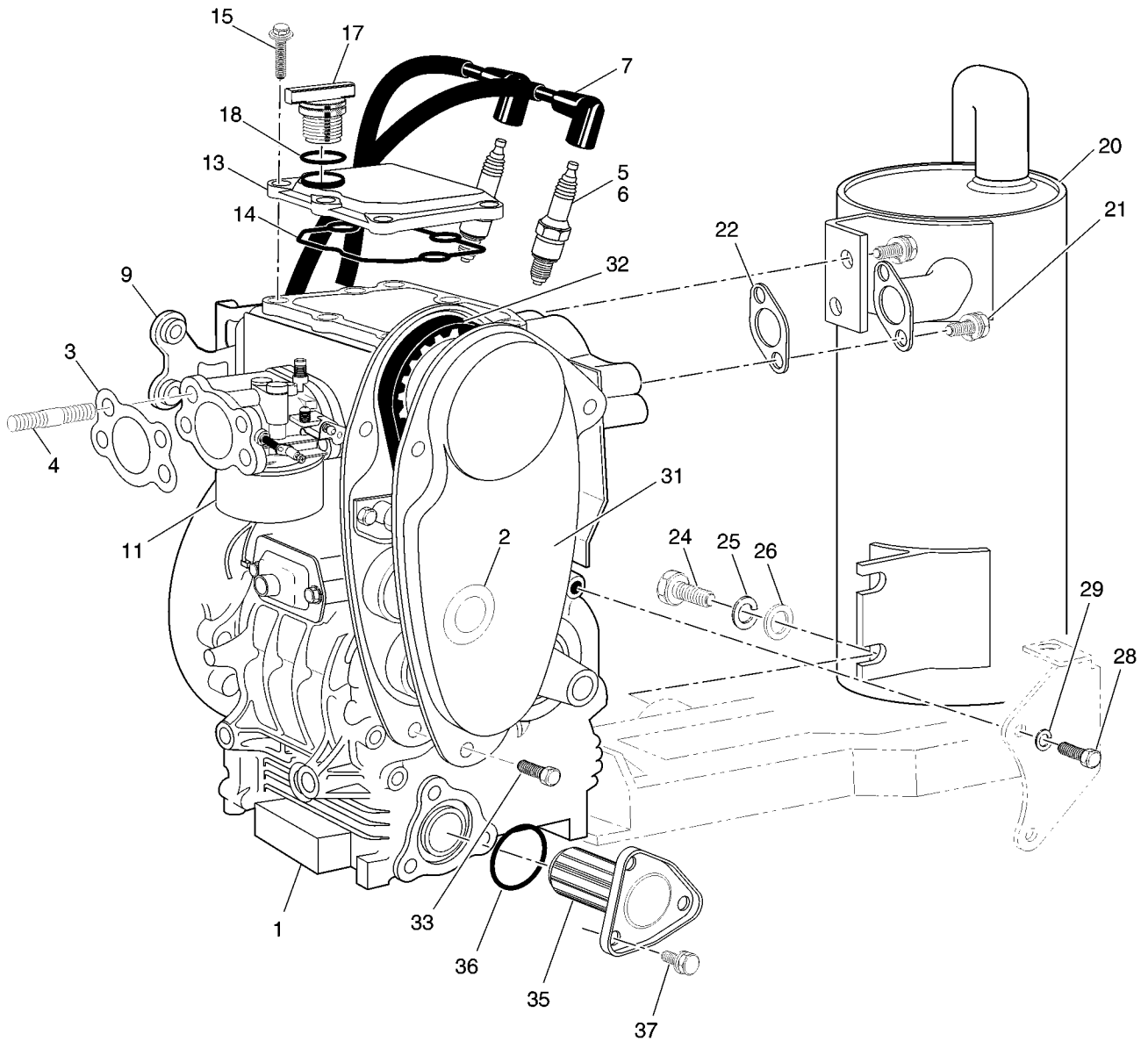
* Indicates a component that is not available as an individual part.

G** Indicates consult Customer Service Department for additional information.

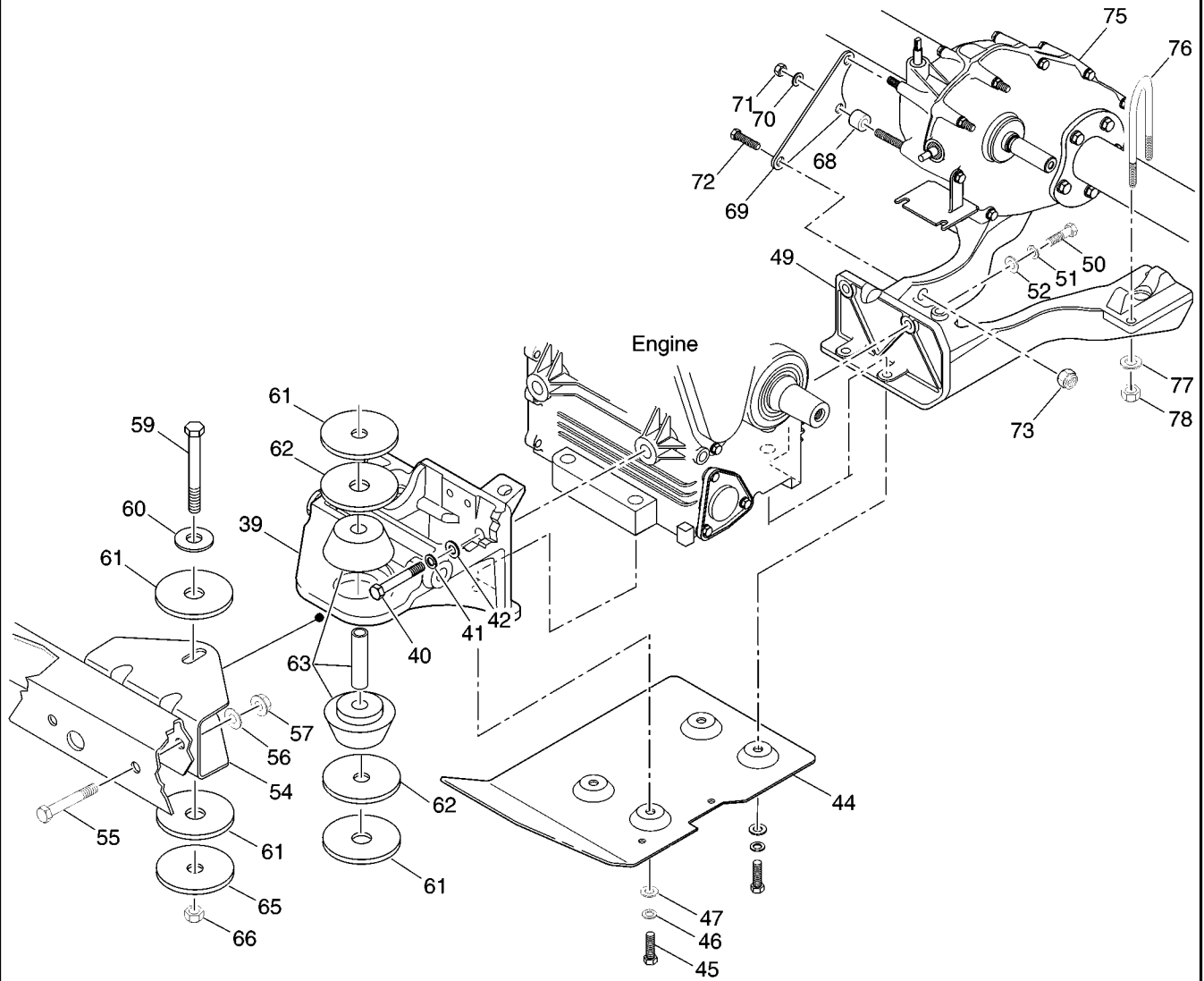
| ITEM | PART NO. | 1 | 2 | 3 | 4 | 5 | DESCRIPTION | QTY. |
|------|------------|---|---|---|---|---|--|------|
| 120 | 00114-G6 | | | | | | SCREW, 1/4 - 14 X 3/4" LG..... | 4 |
| 121 | 18392-G1 | | | | | | 15 AMP FUSE | 1 |
| 122 | | | | | | | | |
| 123 | 33639-G01 | | | | | | IGNITION SWITCH WITH LIGHTS (STANDARD) | 1 |
| 124 | 33783-G01 | | | | | | KEYLESS IGNITION SWITCH (OPTIONAL) | 1 |
| 125 | 00568-G6 | | | | | | LOCK WASHER, 3/4"..... | 1 |
| 126 | 17137-G1 | | | | | | FACE NUT, 3/4 - 20..... | 1 |
| 127 | | | | | | | | |
| 128 | 73030-G04 | | | | | | PLATE (IGNITION SWITCH, LOW OIL LIGHT AND FUEL GAUGE) | 1 |
| 129 | 71131-G01 | | | | | | DECAL (SWITCH, LOW OIL LIGHT AND FUEL GAUGE) WITH LIGHTS | 1 |
| 130 | 33623-G02 | | | | | | RIVET, 3/16" X 3/8" LG | 2 |
| 131 | | | | | | | | |
| 132 | 21553-G1 | | | | | | FUEL GAUGE | 1 |
| 133 | 23474-G1 | | | | | | INDICATOR LIGHT | 1 |
| 134 | 25978-G122 | | | | | | 18 GA WIRE (RED 6")..... | 1 |
| 135 | | | | | | | | |
| 136 | 34886-G04 | | | | | | HOUR METER KIT (OPTIONAL) (INCLUDES ITEMS 137 - 142) | 1 |
| 137 | 33633-G03 | | | | | | HOUR METER..... | 1 |
| 138 | 34851-G01 | | | | | | CONSOLE INSERT PLATE | 1 |
| 139 | 33623-G01 | | | | | | RIVET, 3/16" X 1/4" LG | 2 |
| 140 | 17902-G1 | | | | | | TAB ADAPTER | 1 |
| 141 | 25978-G231 | | | | | | 18 GA WIRE (WHT/YEL, 36" LG)..... | 1 |
| 142 | 25978-G344 | | | | | | 18 GA WIRE (RED/WHT, 10" LG) | 1 |

ENGINE AND MUFFLER

1 - Includes Items 2 - 37



ENGINE MOUNTING COMPONENTS



ENGINE AND MUFFLER

THE USE OF NON U.L. PARTS WILL VOID ANY U.L. LISTING.

When ordering parts, please specify the model and serial number of the product.

* Indicates a component that is not available as an individual part.

G** Indicates consult Customer Service Department for additional information.

| ITEM | PART NO. | 1 | 2 | 3 | 4 | 5 | DESCRIPTION | QTY. | |
|------|-----------|---|---|---|---|---|-------------|------|-----|
| 1 | 72500-G04 | ENGINE, 350CC (INCLUDES ITEMS 2 - 37)..... | | | | | | | 1 |
| 2 | 26631-G01 | TIMING BELT COVER GROMMET | | | | | | | 1 |
| 3 | 26727-G01 | CARBURETOR / AIR BOX GASKET..... | | | | | | | 1 |
| 4 | 72514-G01 | STUD | | | | | | | 2 |
| 5 | 25523-G3 | SPARK PLUG (NGK BPR4ES - RESISTOR) | | | | | | | A/R |
| 6 | 25523-G2 | SPARK PLUG (NGK BP4ES) | | | | | | | 2 |
| 7 | 26733-G01 | SPARK PLUG WIRE SET | | | | | | | 1 |
| 8 | | | | | | | | | |
| 9 | 72305-G01 | IGNITION COIL BRACKET..... | | | | | | | 1 |
| 10 | | | | | | | | | |
| 11 | XXXXX-XX | CARBURETOR (SEE CARBURETOR SECTION FOR PART NUMBER)..... | | | | | | | X |
| 12 | | | | | | | | | |
| 13 | 26600-G01 | VALVE COVER | | | | | | | 1 |
| 14 | 26719-G01 | VALVE COVER GASKET | | | | | | | 1 |
| 15 | 26676-G01 | FLANGED BOLT, M6 X 23 MM LG | | | | | | | 6 |
| 16 | | | | | | | | | |
| 17 | 26601-G01 | OIL FILLER CAP..... | | | | | | | 1 |
| 18 | 26720-G01 | FILLER CAP 'O' RING | | | | | | | 1 |
| 19 | | | | | | | | | |
| 20 | 72019-G01 | MUFFLER..... | | | | | | | 1 |
| 21 | 25532-G1 | BOLT AND WASHER, M8 X 1.25 X 18 MM LG..... | | | | | | | 2 |
| 22 | 25531-G1 | EXHAUST GASKET | | | | | | | 1 |
| 23 | | | | | | | | | |
| 24 | 00438-G8 | BOLT, 5/16 - 18 X 1" LG..... | | | | | | | 1 |
| 25 | 00565-G8 | LOCK WASHER, 5/16" | | | | | | | 1 |
| 26 | 00642-G8 | WASHER, 5/16" | | | | | | | 1 |
| 27 | | | | | | | | | |
| 28 | 00276-G6 | BOLT, 5/16 - 24 X 3/4" LG..... | | | | | | | 2 |
| 29 | 00565-G8 | LOCK WASHER, 5/16" | | | | | | | 2 |

ENGINE AND MUFFLER

THE USE OF NON U.L. PARTS WILL VOID ANY U.L. LISTING.

When ordering parts, please specify the model and serial number of the product.

* Indicates a component that is not available as an individual part.

G** Indicates consult Customer Service Department for additional information.

| ITEM | PART NO. | 1 | 2 | 3 | 4 | 5 | DESCRIPTION | QTY. |
|------|-----------|---|---|---|---|---|---|------|
| 30 | | | | | | | | |
| 31 | 26630-G01 | | | | | | TIMING BELT COVER..... | 1 |
| 32 | 26626-G01 | | | | | | TIMING BELT..... | 1 |
| 33 | 26678-G01 | | | | | | BOLT, M6 X 1 X 12 MM LG..... | 3 |
| 34 | | | | | | | | |
| 35 | 26591-G01 | | | | | | OIL FILTER..... | 1 |
| 36 | 26710-G01 | | | | | | OIL FILTER 'O' RING..... | 1 |
| 37 | 26680-G01 | | | | | | BOLT AND WASHER, M6 X 1 X 12 MM LG..... | 3 |
| 38 | | | | | | | | |
| 39 | 72010-G01 | | | | | | FRONT ENGINE MOUNT..... | 1 |
| 40 | 00463-G4 | | | | | | BOLT, 7/16 - 14 X 1 1/2" LG..... | 2 |
| 41 | 00566-G2 | | | | | | LOCK WASHER, 7/16"..... | 2 |
| 42 | 00922-G3 | | | | | | WASHER, 7/16"..... | 2 |
| 43 | | | | | | | | |
| 44 | 27432-G02 | | | | | | ENGINE GUARD..... | 1 |
| 45 | 00463-G4 | | | | | | BOLT, 7/16 - 14 X 1 1/2" LG..... | 4 |
| 46 | 00566-G2 | | | | | | LOCK WASHER, 7/16"..... | 4 |
| 47 | 00922-G3 | | | | | | WASHER, 7/16"..... | 4 |
| 48 | | | | | | | | |
| 49 | 72011-G01 | | | | | | REAR ENGINE MOUNT..... | 1 |
| 50 | 00463-G4 | | | | | | BOLT, 7/16 - 14 X 1 1/2" LG..... | 2 |
| 51 | 00566-G2 | | | | | | LOCK WASHER, 7/16"..... | 2 |
| 52 | 00922-G3 | | | | | | WASHER, 7/16"..... | 2 |
| 53 | | | | | | | | |
| 54 | 72044-G01 | | | | | | MOUNT BRACKET..... | 1 |
| 55 | 00428-G6 | | | | | | BOLT, 3/8 - 16 X 2 3/4" LG..... | 2 |
| 56 | 00643-G1 | | | | | | WASHER, 3/8"..... | 2 |
| 57 | 11098-G5 | | | | | | LOCK NUT, 3/8 - 16..... | 2 |
| 58 | | | | | | | | |
| 59 | 00430-G4 | | | | | | BOLT, 3/8 - 16 X 4 1/2" LG..... | 1 |

ENGINE AND MUFFLER

THE USE OF NON U.L. PARTS WILL VOID ANY U.L. LISTING.

When ordering parts, please specify the model and serial number of the product.

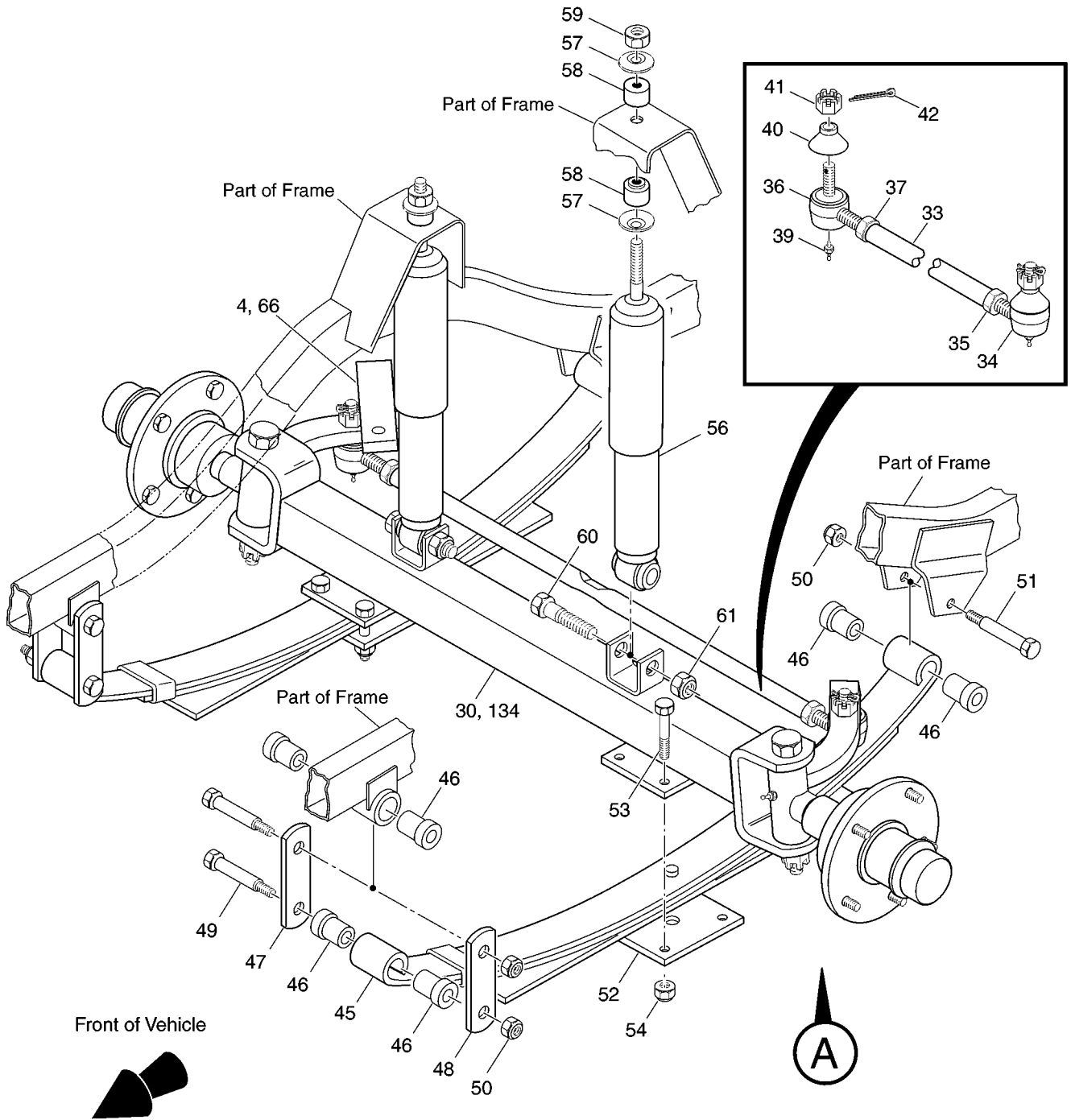
* Indicates a component that is not available as an individual part.

G** Indicates consult Customer Service Department for additional information.

| ITEM | PART NO. | 1 2 3 4 5 | DESCRIPTION | QTY. |
|------|-----------|-----------|---|------|
| 60 | 15121-G1 | | WASHER, 3/8" | 1 |
| 61 | 72050-G01 | | PLASTIC WASHER, 5/8" X 2 1/4" | 4 |
| 62 | 72051-G01 | | WASHER, 5/8" | 2 |
| 63 | 72015-G01 | | ISOLATION MOUNT | 1 |
| 64 | | | | |
| 65 | 72051-G02 | | WASHER, 3/8" | 1 |
| 66 | 11098-G5 | | LOCK NUT, 3/8-16 | 1 |
| 67 | | | | |
| 68 | 75048-G01 | | SPACER..... | 1 |
| 69 | 72017-G01 | | AXLE BRACKET | 1 |
| 70 | 26826-G01 | | LOCK WASHER, 8 MM | 2 |
| 71 | 26827-G01 | | NUT, M8 X 1.25 MM | 2 |
| 72 | 00439-G2 | | BOLT, 5/16-18 X 1 1/4" LG | 1 |
| 73 | 01109-G01 | | LOCK NUT, 5/16 - 18 (STAINLESS STEEL) | 1 |
| 74 | | | | |
| 75 | XXXXX-XX | | REAR AXLE (SEE REAR AXLE SECTION FOR PART NUMBER) | X |
| 76 | XXXXX-XX | | 'U' BOLT (SEE REAR AXLE SECTION FOR PART NUMBER) | X |
| 77 | XXXXX-XX | | WASHER (SEE REAR AXLE SECTION FOR PART NUMBER) | X |
| 78 | XXXXX-XX | | NUT (SEE REAR AXLE SECTION FOR PART NUMBER) | X |

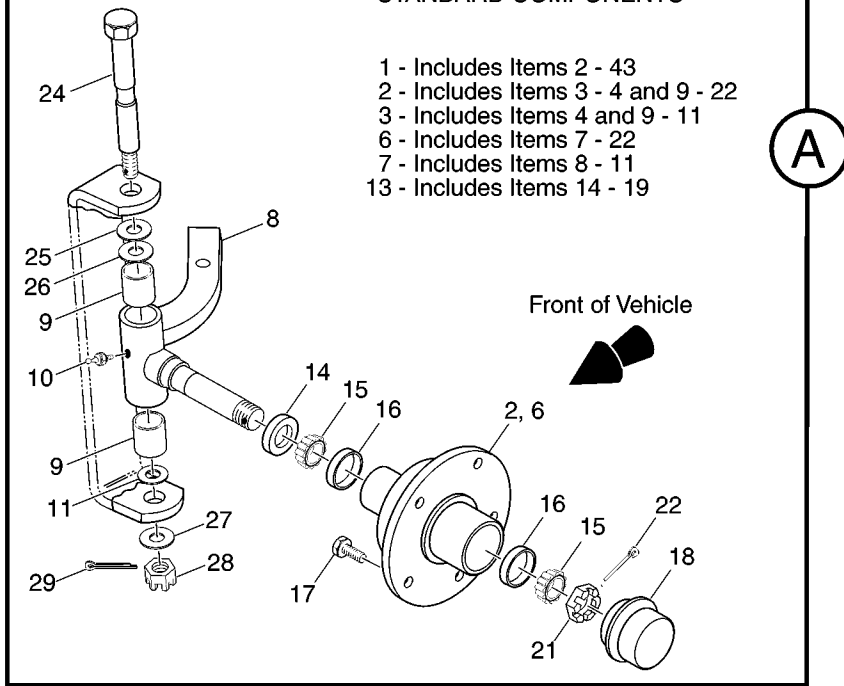
FRONT SUSPENSION AND BRAKES

- 1 - Includes Items 2 - 43
- 3 - Includes Items 4 and 9 - 11
- 32 - Includes Items 33 - 37
- 63 - Includes Items 64 - 134 and 32 - 43
- 65 - Includes Items 66 and 74 - 76



FRONT SUSPENSION AND BRAKES

STANDARD COMPONENTS



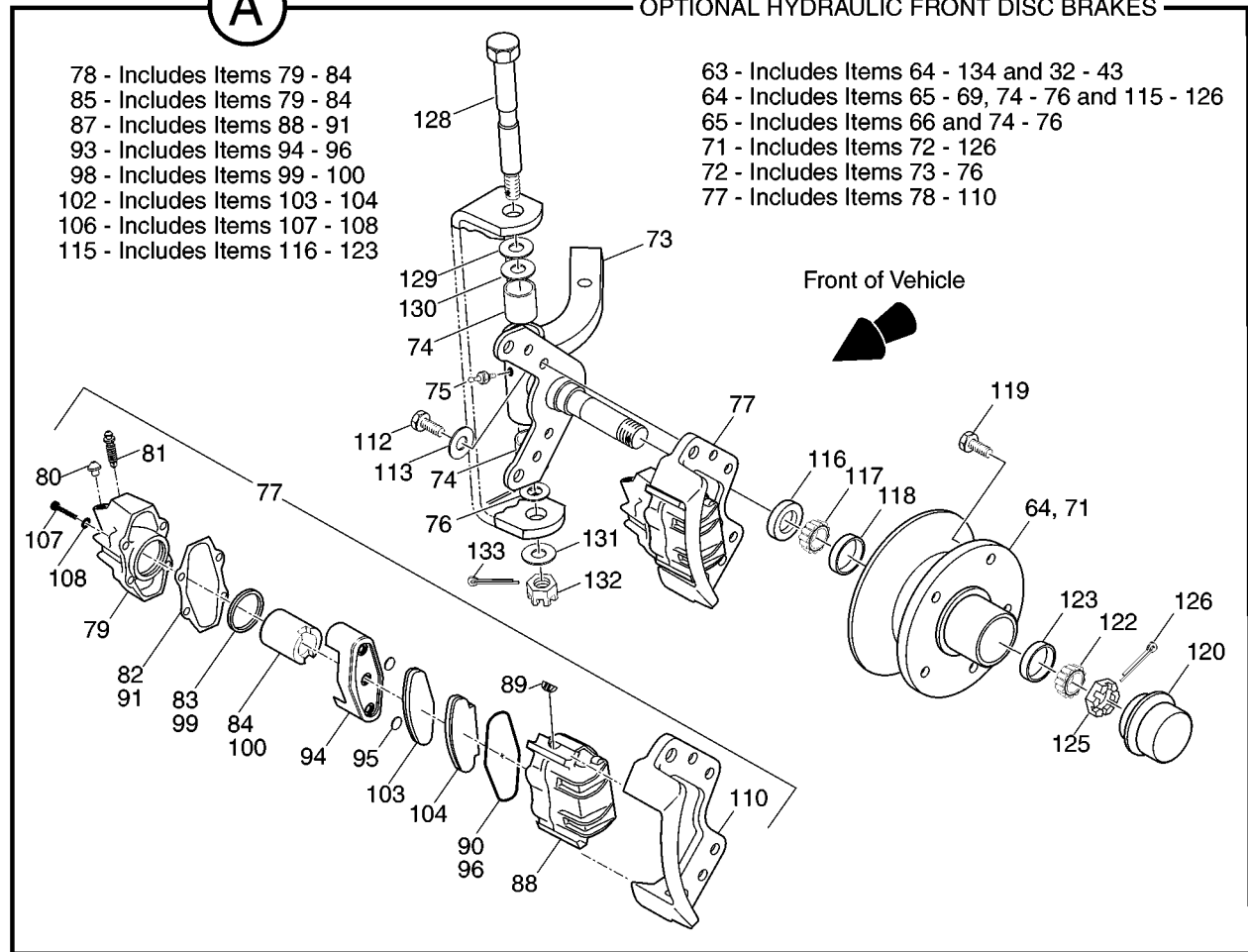
- 1 - Includes Items 2 - 43
- 2 - Includes Items 3 - 4 and 9 - 22
- 3 - Includes Items 4 and 9 - 11
- 6 - Includes Items 7 - 22
- 7 - Includes Items 8 - 11
- 13 - Includes Items 14 - 19

A

Front of Vehicle

A

OPTIONAL HYDRAULIC FRONT DISC BRAKES



FRONT SUSPENSION AND BRAKES

THE USE OF NON U.L. PARTS WILL VOID ANY U.L. LISTING.

When ordering parts, please specify the model and serial number of the product.

* Indicates a component that is not available as an individual part.

G** Indicates consult Customer Service Department for additional information.

| ITEM | PART NO. | 1 | 2 | 3 | 4 | 5 | DESCRIPTION | QTY. | |
|------|-----------|---|---|---|---|---|-------------|--|-----|
| 1 | 34082-G01 | | | | | | | FRONT AXLE ASSEMBLY (INCLUDES ITEMS 2 - 43) | 1 |
| 2 | 34088-G01 | | | | | | | SPINDLE AND HUB ASSEMBLY (PASSENGER SIDE) (INCLUDES ITEMS 3 - 4 AND 9 - 22) | 1 |
| 3 | 34089-G01 | | | | | | | SPINDLE ASSEMBLY (PASSENGER SIDE) (INCLUDES ITEMS 4 AND 9 - 11) | 1 |
| 4 | 34083-G01 | | | | | | | SPINDLE (PASSENGER SIDE)..... | 1 |
| 5 | | | | | | | | | |
| 6 | 34286-G01 | | | | | | | SPINDLE AND HUB ASSEMBLY (DRIVER SIDE) (INCLUDES ITEMS 7 - 22) | 1 |
| 7 | 34285-G01 | | | | | | | SPINDLE ASSEMBLY (DRIVER SIDE) (INCLUDES ITEMS 8 - 11) | 1 |
| 8 | 34284-G01 | | | | | | | SPINDLE (DRIVER SIDE) | 1 |
| 9 | 16623-G1 | | | | | | | BEARING..... | 2 |
| 10 | 10389-G3 | | | | | | | GREASE FITTING | 1 |
| 11 | 16626-G1 | | | | | | | OIL SEAL | 1 |
| 12 | | | | | | | | | |
| 13 | 32783-G1 | | | | | | | HUB ASSEMBLY (INCLUDES ITEMS 14 - 19) | 1 |
| 14 | 12092-G1 | | | | | | | GREASE SEAL..... | 1 |
| 15 | 11750-G2 | | | | | | | ROLLER BEARING CONE | 2 |
| 16 | 51141-G1 | | | | | | | BEARING RACE..... | 2 |
| 17 | 30143-G1 | | | | | | | WHEEL BOLT, 1/2 - 20 X 1 7/32" LG..... | 5 |
| 18 | 30146-G1 | | | | | | | DUST CAP | 1 |
| 19 | 12730-G1 | | | | | | | WHEEL BEARING GREASE (NOT ILLUSTRATED)..... | A/R |
| 20 | | | | | | | | | |
| 21 | 12093-G1 | | | | | | | SLOTTED NUT, 1 - 14..... | 1 |
| 22 | 00798-G8 | | | | | | | COTTER PIN, 5/32" X 1 3/4" LG..... | 1 |
| 23 | | | | | | | | | |
| 24 | 25177-G2 | | | | | | | KING PIN | 2 |
| 25 | 00879-G7 | | | | | | | WASHER, 7/8" | 2 |
| 26 | 16982-G1 | | | | | | | THRUST WASHER, 7/8" | 2 |
| 27 | 00560-G5 | | | | | | | WASHER, 5/8" | 2 |

FRONT SUSPENSION AND BRAKES

THE USE OF NON U.L. PARTS WILL VOID ANY U.L. LISTING.

When ordering parts, please specify the model and serial number of the product.

* Indicates a component that is not available as an individual part.

G** Indicates consult Customer Service Department for additional information.

| ITEM | PART NO. | 1 | 2 | 3 | 4 | 5 | DESCRIPTION | QTY. |
|------|-----------|---|---|---|---|---|---|------|
| 28 | 14390-G2 | | | | | | LOCK NUT, 5/8 - 18 | 2 |
| 29 | 19060-G1 | | | | | | COTTER PIN, 1 1/4" LG | 2 |
| 30 | 34081-G01 | | | | | | FRONT AXLE | 1 |
| 31 | | | | | | | | |
| 32 | 34084-G01 | | | | | | TIE ROD (INCLUDES ITEMS 33 - 37)..... | 1 |
| 33 | 70583-G08 | | | | | | THREADED TUBE WITH FLAT | 1 |
| 34 | 27205-G01 | | | | | | TIE ROD END (LEFT HAND THREADS)..... | 1 |
| 35 | 18434-G3 | | | | | | JAM NUT, 9/16 - 18 (LEFT HAND THREADS)..... | 1 |
| 36 | 27205-G02 | | | | | | TIE ROD END (RIGHT HAND THREADS) | 1 |
| 37 | 18434-G4 | | | | | | JAM NUT, 9/16 - 18 (RIGHT HAND THREADS) | 1 |
| 38 | | | | | | | | |
| 39 | 10389-G3 | | | | | | GREASE FITTING | 2 |
| 40 | 50641-G1 | | | | | | RUBBER BOOT | 2 |
| 41 | 50209-G1 | | | | | | SLOTTED NUT, 7/16 - 20 | 2 |
| 42 | 10387-G2 | | | | | | COTTER PIN, 3/32" X 1" LG | 2 |
| 43 | 12730-G1 | | | | | | WHEEL BEARING GREASE | A/R |
| 44 | | | | | | | | |
| 45 | 33670-G01 | | | | | | LEAF SPRING..... | 2 |
| 46 | 20098-G1 | | | | | | RUBBER BUSHING | 12 |
| 47 | 30035-G1 | | | | | | LEAF SPRING SHACKLE | 2 |
| 48 | 30035-G2 | | | | | | LEAF SPRING SHACKLE | 2 |
| 49 | 15727-G1 | | | | | | SHOULDER BOLT, 3/8 - 16 X 2 3/8" LG | 4 |
| 50 | 13521-G4 | | | | | | LOCK NUT, 3/8 - 16 | 6 |
| 51 | 14158-G1 | | | | | | SHOULDER BOLT, 3/8 - 16 X 3 1/4" LG | 2 |
| 52 | 34032-G02 | | | | | | SPRING MOUNTING PLATE | 2 |
| 53 | 00427-G8 | | | | | | BOLT, 3/8 - 16 X 2" LG | 8 |
| 54 | 11098-G5 | | | | | | LOCK NUT, 3/8 - 16 | 8 |
| 55 | | | | | | | | |
| 56 | 21782-G1 | | | | | | SHOCK ABSORBER..... | 2 |
| 57 | 10435-G1 | | | | | | SHOCK ABSORBER WASHER | 4 |

FRONT SUSPENSION AND BRAKES

THE USE OF NON U.L. PARTS WILL VOID ANY U.L. LISTING.

When ordering parts, please specify the model and serial number of the product.

* Indicates a component that is not available as an individual part.

G** Indicates consult Customer Service Department for additional information.

| ITEM | PART NO. | 1 | 2 | 3 | 4 | 5 | DESCRIPTION | QTY. |
|------|-----------|---|---|---|---|---|---|------|
| 58 | 10194-G1 | | | | | | RUBBER BUSHING | 4 |
| 59 | 00532-G6 | | | | | | NUT, 3/8 - 24 | 2 |
| 60 | 00458-G2 | | | | | | BOLT, 5/8 - 11 X 2 1/4" LG | 2 |
| 61 | 14390-G7 | | | | | | LOCK NUT, 5/8 - 11 | 2 |
| 62 | | | | | | | | |
| 63 | 34082-G03 | | | | | | FRONT AXLE ASSEMBLY WITH HYDRAULIC DISC BRAKES (INCLUDES ITEMS 64 - 134 AND 32 - 43) | 1 |
| 64 | 34114-G02 | | | | | | SPINDLE AND DISC HUB ASSEMBLY (PASSENGER SIDE) (INCLUDES ITEMS 65 - 69, 74 - 76 AND 115 - 126) | 1 |
| 65 | 34119-G01 | | | | | | SPINDLE ASSEMBLY (PASSENGER SIDE) (INCLUDES ITEMS 66 AND 74 - 76) | 1 |
| 66 | 34103-G01 | | | | | | SPINDLE (PASSENGER SIDE) | 1 |
| 67 | 34116-G02 | | | | | | DISC BRAKE ASSEMBLY (PASSENGER SIDE) (NOT SHOWN - OPPOSITE OF ITEM 77) | 1 |
| 68 | 34118-G01 | | | | | | BOLT, M8 X 1.25 X 20 MM LG (NOT SHOWN - OPPOSITE OF ITEM 112) | 4 |
| 69 | 00565-G8 | | | | | | LOCK WASHER, 5/16" (NOT SHOWN - OPPOSITE OF ITEM 113) | 4 |
| 70 | | | | | | | | |
| 71 | 34115-G02 | | | | | | SPINDLE AND DISC HUB ASSEMBLY (DRIVER SIDE) (INCLUDES ITEMS 72 - 126) | 1 |
| 72 | 34119-G02 | | | | | | SPINDLE ASSEMBLY (DRIVER SIDE) (INCLUDES ITEMS 73 - 76) | 1 |
| 73 | 34104-G01 | | | | | | SPINDLE (DRIVER SIDE) | 1 |
| 74 | 16623-G1 | | | | | | BEARING | 2 |
| 75 | 10389-G3 | | | | | | GREASE FITTING | 1 |
| 76 | 16626-G1 | | | | | | OIL SEAL | 1 |
| 77 | 34116-G01 | | | | | | DISC BRAKE ASSEMBLY (DRIVER SIDE) (INCLUDES ITEMS 78 - 110) | 1 |
| 78 | 34110-G01 | | | | | | PISTON AND COVER ASSEMBLY KIT (DRIVER SIDE) (INCLUDES ITEMS 79 - 84) | 1 |
| 79 | * | | | | | | COVER | 1 |
| 80 | * | | | | | | SEAT INSERT | 1 |
| 81 | * | | | | | | BLEEDER SCREW | 1 |

FRONT SUSPENSION AND BRAKES

THE USE OF NON U.L. PARTS WILL VOID ANY U.L. LISTING.

When ordering parts, please specify the model and serial number of the product.

* Indicates a component that is not available as an individual part.

G** Indicates consult Customer Service Department for additional information.

| ITEM | PART NO. | 1 | 2 | 3 | 4 | 5 | DESCRIPTION | QTY. |
|------|-----------|---|---|---|---|---|---|------|
| 82 | * | | | | | | GASKET | 1 |
| 83 | * | | | | | | PISTON SQUARE SEAL..... | 1 |
| 84 | * | | | | | | PISTON | 1 |
| 85 | 34110-G02 | | | | | | PISTON AND COVER ASSEMBLY KIT (PASSENGER SIDE) (INCLUDES ITEMS 79 - 84) (ITEMS 80 AND 81 ARE MOUNTED OPPOSITE OF THEIR MOUNTED ORIENTATION IN 34110-G01) | 1 |
| 86 | | | | | | | | |
| 87 | 34112-G01 | | | | | | DISC BRAKE HOUSING KIT (INCLUDES ITEMS 88 - 91) | 1 |
| 88 | * | | | | | | HOUSING..... | 1 |
| 89 | * | | | | | | RUBBER SPRING..... | 2 |
| 90 | * | | | | | | PISTON "O" RING..... | 1 |
| 91 | * | | | | | | GASKET | 1 |
| 92 | | | | | | | | |
| 93 | 34573-G01 | | | | | | DISC BRAKE PISTON AND "O" RING KIT (INCLUDES ITEMS 94 - 96) | 1 |
| 94 | * | | | | | | PISTON | 1 |
| 95 | * | | | | | | PISTON PLUG | 2 |
| 96 | * | | | | | | PISTON "O" RING..... | 1 |
| 97 | | | | | | | | |
| 98 | 34572-G01 | | | | | | DISC BRAKE PISTON AND SEAL KIT (INCLUDES ITEMS 99 - 100) | 1 |
| 99 | * | | | | | | PISTON SQUARE SEAL..... | 1 |
| 100 | * | | | | | | PISTON | 1 |
| 101 | | | | | | | | |
| 102 | 34574-G01 | | | | | | DISC BRAKE PADS KIT (INCLUDES ITEMS 103 - 104) | 1 |
| 103 | * | | | | | | BRAKE PAD (PISTON SIDE) | 1 |
| 104 | * | | | | | | BRAKE PAD (HOUSING SIDE)..... | 1 |
| 105 | | | | | | | | |
| 106 | 35222-G01 | | | | | | DISC BRAKE SCREW AND WASHER KIT (INCLUDES ITEMS 107 -108) | 1 |
| 107 | * | | | | | | SCREW M5 X 0.8 X 25 MM LG..... | 1 |
| 108 | * | | | | | | WASHER, #10..... | 1 |

FRONT SUSPENSION AND BRAKES

THE USE OF NON U.L. PARTS WILL VOID ANY U.L. LISTING.

When ordering parts, please specify the model and serial number of the product.

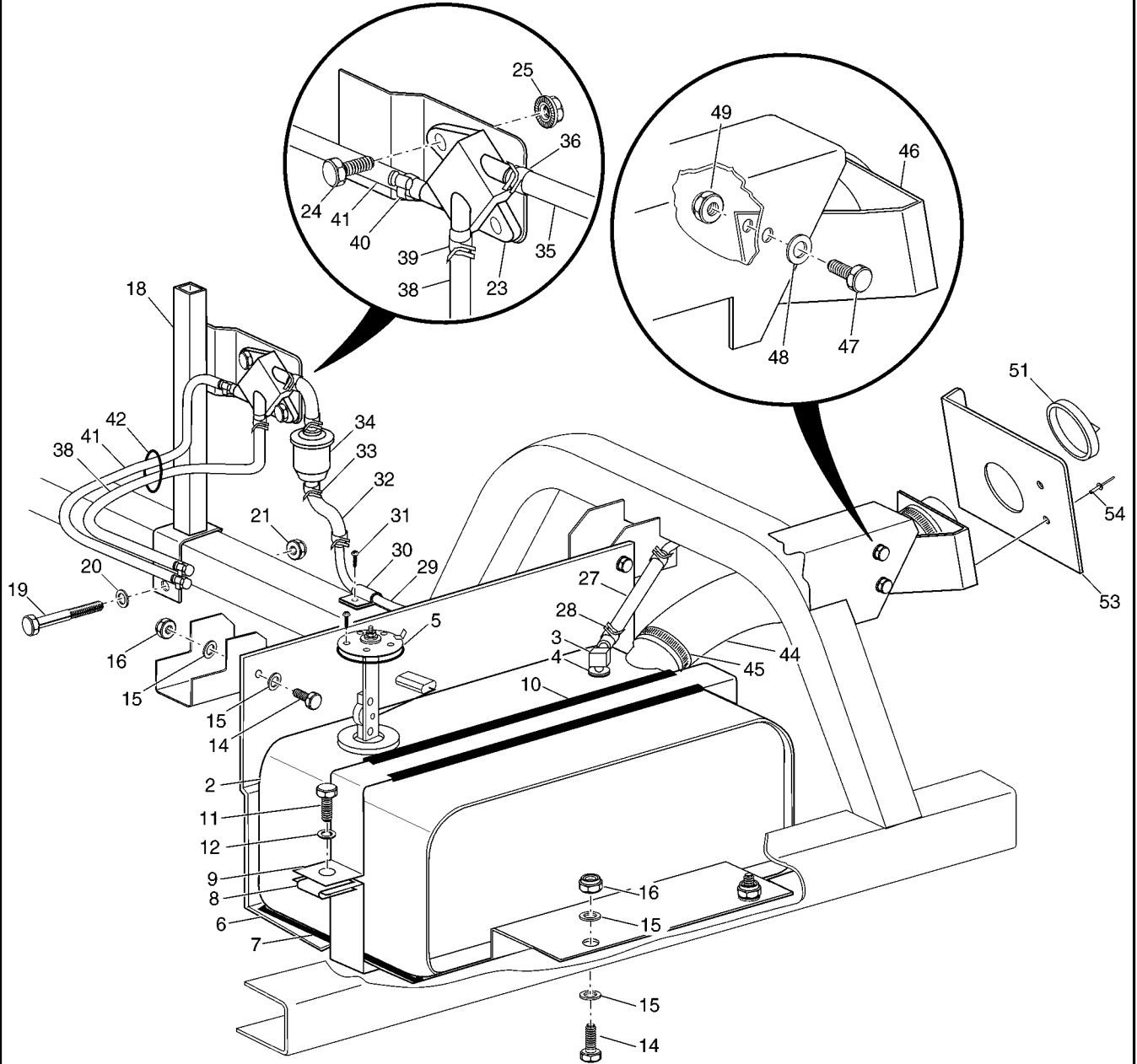
* Indicates a component that is not available as an individual part.

G** Indicates consult Customer Service Department for additional information.

| ITEM | PART NO. | 1 | 2 | 3 | 4 | 5 | DESCRIPTION | QTY. |
|------|-----------|---|---|---|---|---|---|------|
| 109 | | | | | | | | |
| 110 | 34108-G01 | | | | | | DISC BRAKE MOUNTING BRACKET..... | 1 |
| 111 | | | | | | | | |
| 112 | 34118-G01 | | | | | | BOLT, M8 X 1.25 X 20 MM LG | 4 |
| 113 | 00565-G8 | | | | | | LOCK WASHER, 5/16"..... | 4 |
| 114 | | | | | | | | |
| 115 | 32783-G1 | | | | | | DISC HUB ASSEMBLY (INCLUDES ITEMS 116 - 123)..... | 1 |
| 116 | 12092-G1 | | | | | | GREASE SEAL..... | 1 |
| 117 | 11750-G2 | | | | | | ROLLER BEARING CONE (INNER) | 1 |
| 118 | 51141-G1 | | | | | | BEARING CUP (INNER)..... | 1 |
| 119 | 34117-G01 | | | | | | WHEEL BOLT, 1/2 - 20 X 1 3/4" LG..... | 5 |
| 120 | 30146-G1 | | | | | | DUST CAP..... | 1 |
| 121 | 12730-G1 | | | | | | WHEEL BEARING GREASE..... | A/R |
| 122 | 11750-G1 | | | | | | ROLLER BEARING CONE (OUTER) | 1 |
| 123 | 11752-G1 | | | | | | BEARING CUP (OUTER) | 1 |
| 124 | | | | | | | | |
| 125 | 12093-G1 | | | | | | SLOTTED NUT, 1 - 14..... | 1 |
| 126 | 00798-G8 | | | | | | COTTER PIN, 5/32" X 1 3/4" LG..... | 1 |
| 127 | | | | | | | | |
| 128 | 25177-G2 | | | | | | KING PIN | 2 |
| 129 | 00879-G7 | | | | | | WASHER, 7/8" | 2 |
| 130 | 16982-G1 | | | | | | THRUST WASHER, 7/8" | 2 |
| 131 | 00560-G5 | | | | | | WASHER, 5/8" | 2 |
| 132 | 14390-G2 | | | | | | LOCK NUT, 5/8 - 18..... | 2 |
| 133 | 19060-G1 | | | | | | COTTER PIN, 1 1/4" LG | 2 |
| 134 | 34081-G01 | | | | | | FRONT AXLE | 1 |

FRONT SUSPENSION AND BRAKES

FUEL SYSTEM



FUEL SYSTEM

THE USE OF NON U.L. PARTS WILL VOID ANY U.L. LISTING.

When ordering parts, please specify the model and serial number of the product.

* Indicates a component that is not available as an individual part.

G** Indicates consult Customer Service Department for additional information.

| ITEM | PART NO. | 1 2 3 4 5 | DESCRIPTION | QTY. |
|------|-----------|-----------|--|------|
| 1 | | | | |
| 2 | 34070-G01 | | FUEL TANK..... | 1 |
| 3 | 27210-G04 | | SIPHON TUBE..... | 1 |
| 4 | 26060-G01 | | BUSHING..... | 1 |
| 5 | 20048-G5 | | FUEL LEVEL SENDER..... | 1 |
| 6 | 34130-G01 | | FUEL TANK SUPPORT..... | 1 |
| 7 | 34131-G01 | | FUEL TANK MAT..... | 1 |
| 8 | 14776-G1 | | "J" TYPE RETAINER NUT..... | 2 |
| 9 | 34129-G02 | | FUEL TANK RETAINER..... | 1 |
| 10 | 14643-G4 | | VINYL EXTRUSION, 15" LG..... | 1 |
| 11 | 00414-G6 | | BOLT, 1/4 - 20 X 3/4" LG..... | 2 |
| 12 | 01110-G01 | | WASHER, 1/4" (STAINLESS STEEL)..... | 2 |
| 13 | | | | |
| 14 | 00438-G8 | | BOLT, 5/16 - 18 X 1" LG..... | 4 |
| 15 | 00559-G8 | | WASHER, 5/16"..... | 8 |
| 16 | 01109-G01 | | LOCK NUT, 5/16 - 18 (STAINLESS STEEL)..... | 4 |
| 17 | | | | |
| 18 | 34321-G01 | | FUEL PUMP STANCHION..... | 1 |
| 19 | 00428-G8 | | BOLT, 3/8 - 16 X 3" LG..... | 2 |
| 20 | 00560-G1 | | WASHER, 3/8"..... | 2 |
| 21 | 11098-G5 | | LOCK NUT, 3/8 - 16..... | 2 |
| 22 | | | | |
| 23 | 72021-G01 | | FUEL PUMP..... | 1 |
| 24 | 00414-G6 | | BOLT, 1/4 - 20 X 3/4" LG..... | 2 |
| 25 | 11027-G2 | | LOCK NUT, 1/4 - 20..... | 2 |
| 26 | | | | |
| 27 | 19702-G2 | | TUBE, 8"..... | 1 |
| 28 | 18292-G1 | | CLAMP..... | 2 |
| 29 | 34160-G01 | | FUEL LINE TUBING..... | 1 |
| 30 | 11845-G8 | | INSULATED CLAMP..... | 4 |

FUEL SYSTEM

THE USE OF NON U.L. PARTS WILL VOID ANY U.L. LISTING.

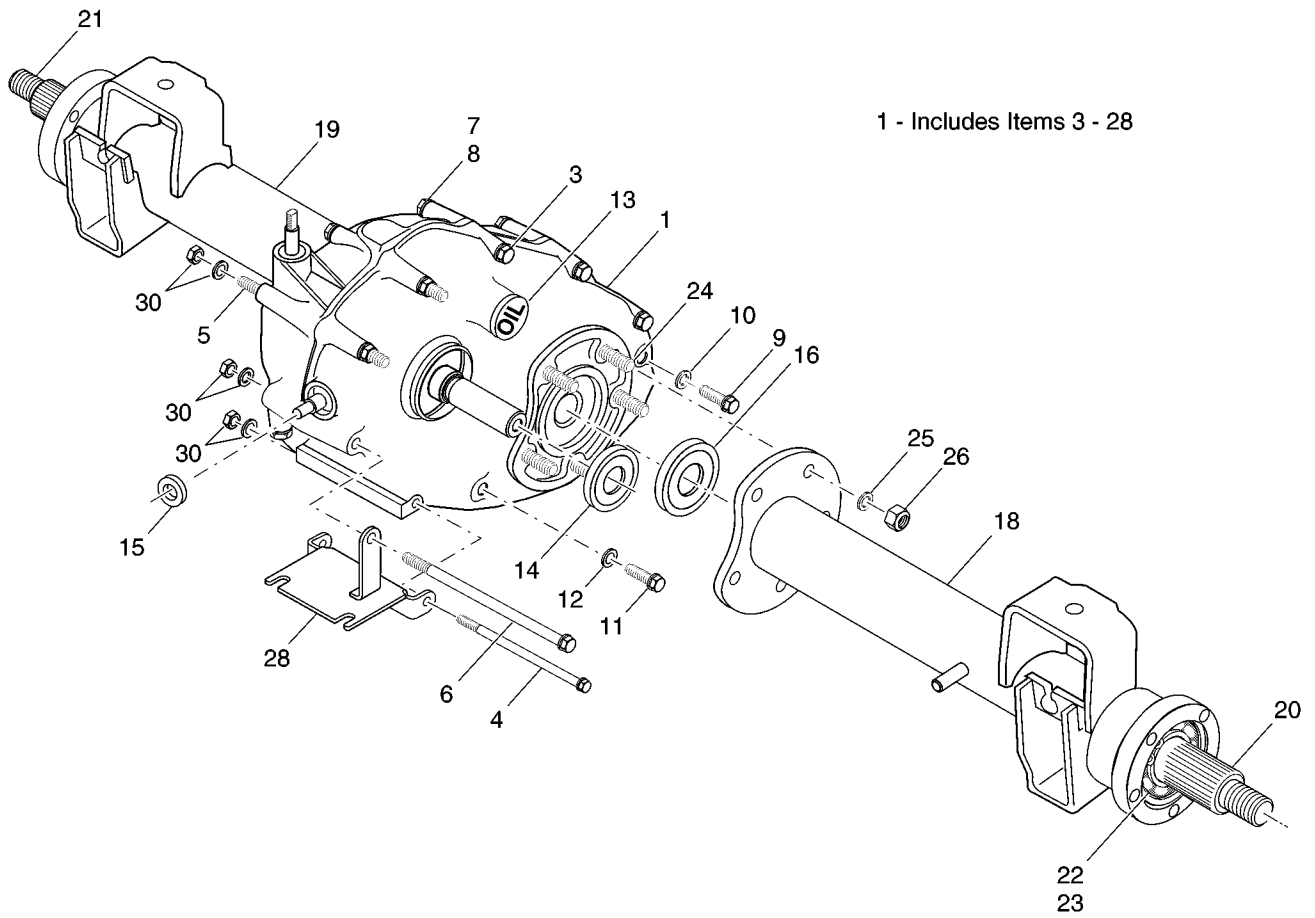
When ordering parts, please specify the model and serial number of the product.

* Indicates a component that is not available as an individual part.

G** Indicates consult Customer Service Department for additional information.

| ITEM | PART NO. | 1 2 3 4 5 | DESCRIPTION | QTY. |
|------|-----------|-----------|---|------|
| 31 | 00106-G6 | | SELF THREADING SCREW, #12 - 24 X 3/4" LG | 4 |
| 32 | 17471-G7 | | TUBING (BULK) 2 3/4" | A/R |
| 33 | 18292-G1 | | CLAMP | 2 |
| 34 | 72084-G01 | | FUEL FILTER | 1 |
| 35 | 17471-G7 | | TUBING (BULK) 2 3/4" | A/R |
| 36 | 18292-G1 | | CLAMP | 2 |
| 37 | | | | |
| 38 | 27184-G08 | | TUBE, 20"..... | 1 |
| 39 | 18292-G1 | | CLAMP | 1 |
| 40 | 11391-G4 | | HOSE CLAMP, 1/4" | 3 |
| 41 | 25346-G12 | | TUBE, 22"..... | 1 |
| 42 | 17618-G1 | | WIRE TIE | 1 |
| 43 | | | | |
| 44 | 34282-G01 | | FUEL INLET HOSE..... | 1 |
| 45 | 11391-G2 | | HOSE CLAMP, 2 1/16" | 2 |
| 46 | 34194-G02 | | FUEL INLET | 1 |
| 47 | 00438-G8 | | BOLT, 5/16 - 18 X 1" LG | 2 |
| 48 | 00559-G8 | | WASHER, 5/16" | 2 |
| 49 | 01109-G01 | | LOCK NUT, 5/16 - 18 (STAINLESS STEEL) | 2 |
| 50 | | | | |
| 51 | 34132-G01 | | FUEL CAP (VENTED)..... | 1 |
| 52 | | | | |
| 53 | 34722-G01 | | FUEL CAP SHIELD | 1 |
| 54 | 14601-G9 | | RIVET, 3/16" X 9/16" LG (STAINLESS STEEL) | 2 |

REAR AXLE



REAR AXLE

THE USE OF NON U.L. PARTS WILL VOID ANY U.L. LISTING.

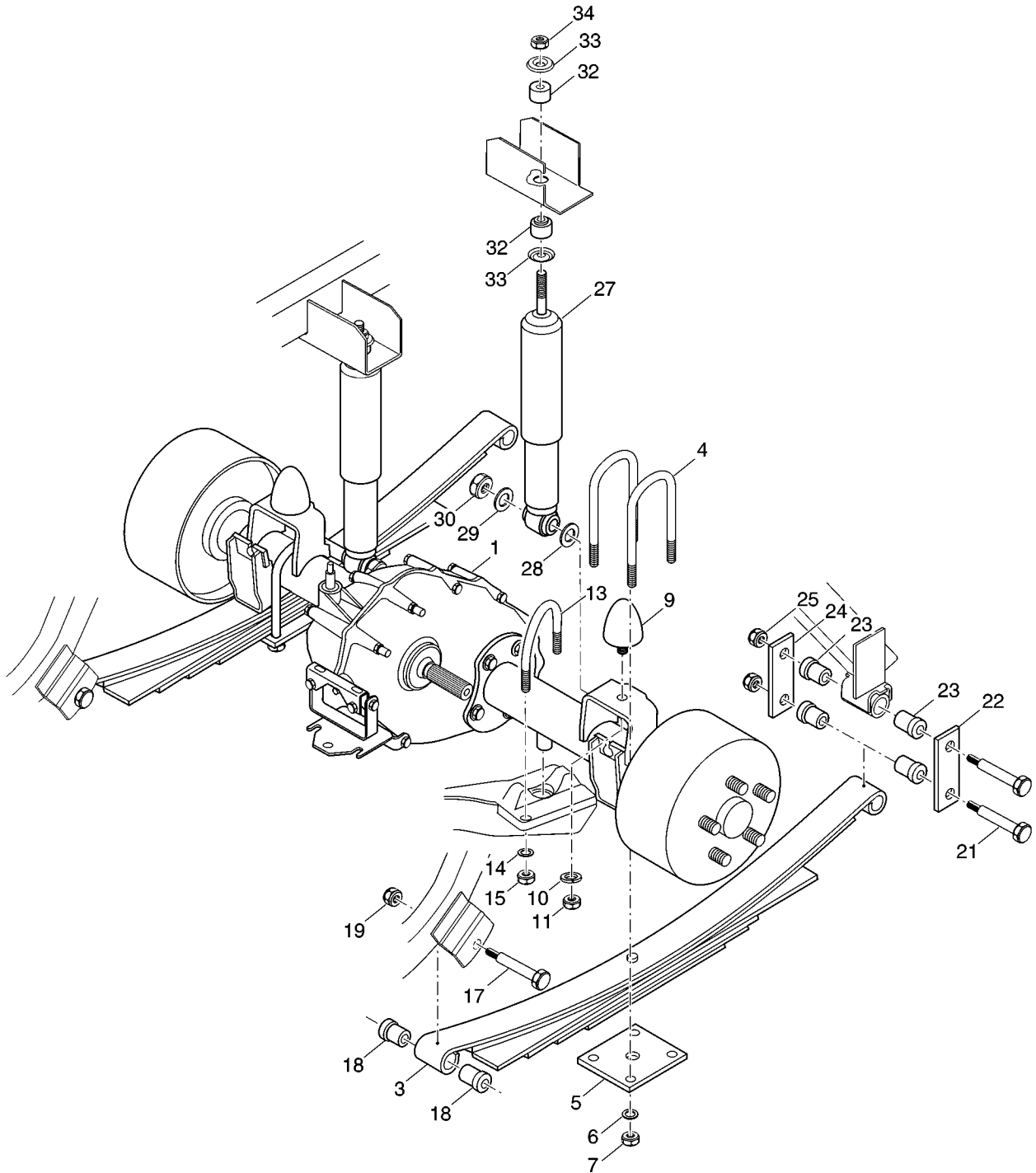
When ordering parts, please specify the model and serial number of the product.

* Indicates a component that is not available as an individual part.

G** Indicates consult Customer Service Department for additional information.

| ITEM | PART NO. | 1 2 3 4 5 | DESCRIPTION | QTY. |
|------|-----------|-----------|--|------|
| 1 | 34047-G01 | | REAR AXLE (13.32:1) (INCLUDES ITEMS 3 - 28) | 1 |
| 2 | | | | |
| 3 | 26823-G01 | | FLANGED BOLT, M8 X 1.25 X 100 MM LG..... | 7 |
| 4 | 26824-G01 | | FLANGED BOLT, M8 X 1.25 X 110 MM LG | 1 |
| 5 | 72053-G01 | | FLANGED BOLT, M8 X 1.25 X 120 MM LG..... | 1 |
| 6 | 72052-G01 | | FLANGED BOLT, M8 X 1.25 X 130 MM LG..... | 1 |
| 7 | 26826-G01 | | LOCK WASHER, 8 MM | 11 |
| 8 | 26827-G01 | | NUT, M8 X 1.25..... | 11 |
| 9 | 26768-G01 | | OIL CHECK PLUG..... | 1 |
| 10 | 26769-G01 | | GASKET, 8 MM..... | 1 |
| 11 | 26770-G01 | | OIL DRAIN PLUG | 1 |
| 12 | 26771-G01 | | GASKET, 14 MM..... | 1 |
| 13 | 26772-G01 | | OIL FILLER PLUG | 1 |
| 14 | 26761-G01 | | INPUT SHAFT SEAL | 1 |
| 15 | 26762-G01 | | SHIFTER SHAFT SEAL..... | 1 |
| 16 | 26766-G01 | | AXLE SHAFT SEAL..... | 2 |
| 17 | | | | |
| 18 | 34138-G01 | | AXLE TUBE (DRIVER SIDE)..... | 1 |
| 19 | 34139-G01 | | AXLE TUBE (PASSENGER SIDE) | 1 |
| 20 | 34136-G01 | | AXLE SHAFT (DRIVER SIDE)..... | 1 |
| 21 | 34137-G01 | | AXLE SHAFT (PASSENGER SIDE) | 1 |
| 22 | 33687-G01 | | RETAINING RING..... | 1 |
| 23 | 33686-G01 | | BEARING..... | 2 |
| 24 | 26767-G01 | | STUD, M10 X 1.5 X 40 MM LG..... | 5 |
| 25 | 26828-G01 | | WASHER, 10 MM | 10 |
| 26 | 26829-G01 | | NUT, M10 X 1.5..... | 10 |
| 27 | | | | |
| 28 | 26815-G01 | | SHIFTER CABLE BRACKET..... | 1 |
| 29 | XXXXX-XX | | NUT AND LOCK WASHER (SEE ENGINE AND MUFFLER SECTION FOR P/N'S) | |

REAR SUSPENSION



REAR SUSPENSION

THE USE OF NON U.L. PARTS WILL VOID ANY U.L. LISTING.

When ordering parts, please specify the model and serial number of the product.

* Indicates a component that is not available as an individual part.

G** Indicates consult Customer Service Department for additional information.

| ITEM | PART NO. | 1 2 3 4 5 | DESCRIPTION | QTY. |
|------|-----------|-----------|---|------|
| 1 | XXXXX-XX | | REAR AXLE (SEE REAR AXLE SECTION FOR PART NUMBER) | 1 |
| 2 | | | | |
| 3 | 34041-G01 | | LEAF SPRING..... | 2 |
| 4 | 32195-G1 | | 'U' BOLT, 3/8" - 16 X 2 1/2" X 5 3/8" LG | 4 |
| 5 | 34011-G01 | | SPRING MOUNTING PLATE | 2 |
| 6 | 00560-G1 | | WASHER, 3/8" | 8 |
| 7 | 11098-G5 | | LOCK NUT, 3/8 - 16 | 8 |
| 8 | | | | |
| 9 | 70492-G01 | | RUBBER BUMPER | 2 |
| 10 | 00968-G01 | | LOCK WASHER, 10 MM..... | 2 |
| 11 | 00974-G01 | | NUT, M10 X 1.5..... | 2 |
| 12 | | | | |
| 13 | 72035-G01 | | 'U' BOLT, 7/16 - 14 X 3 7/16" X 3 9/16" LG | 2 |
| 14 | 00922-G3 | | WASHER, 7/16" | 4 |
| 15 | 00734-G1 | | LOCK NUT, 7/16 - 14 | 4 |
| 16 | | | | |
| 17 | 14158-G1 | | SHOULDER BOLT, 3/8 - 16 X 3 1/4" LG..... | 2 |
| 18 | 20098-G1 | | RUBBER BUSHING | 4 |
| 19 | 13521-G4 | | LOCK NUT, 3/8 - 16 | 2 |
| 20 | | | | |
| 21 | 15727-G1 | | SHOULDER BOLT, 3/8 - 16 X 2 3/8" LG..... | 4 |
| 22 | 34135-G01 | | SHACKLE (OUTBOARD)..... | 2 |
| 23 | 20098-G1 | | RUBBER BUSHING | 8 |
| 24 | 34135-G02 | | SHACKLE (INBOARD)..... | 2 |
| 25 | 13521-G4 | | LOCK NUT, 3/8 - 16 | 4 |
| 26 | | | | |
| 27 | 21782-G1 | | SHOCK ABSORBER..... | 2 |
| 28 | 70472-G01 | | SHOCK ABSORBER SPACER | 2 |
| 29 | 00643-G3 | | WASHER, 1/2" | 2 |
| 30 | 00551-G1 | | LOCK NUT, 1/2 - 13 | 2 |

REAR SUSPENSION

THE USE OF NON U.L. PARTS WILL VOID ANY U.L. LISTING.

When ordering parts, please specify the model and serial number of the product.

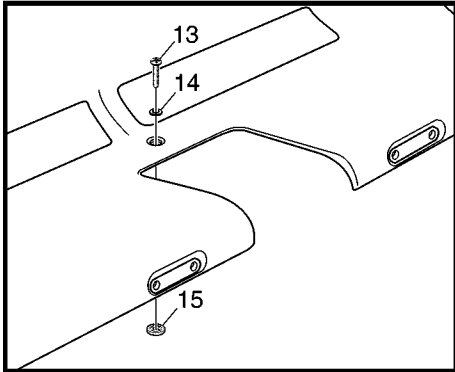
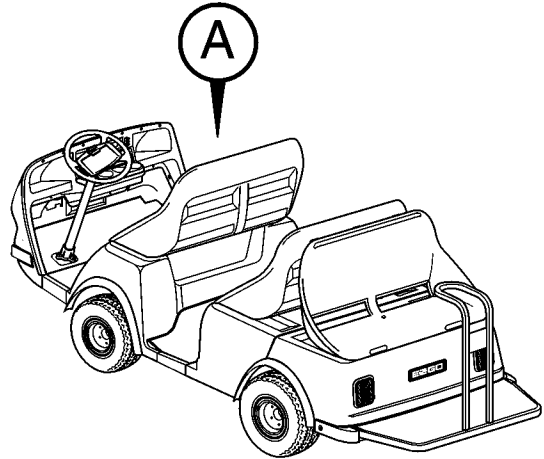
* Indicates a component that is not available as an individual part.

G** Indicates consult Customer Service Department for additional information.

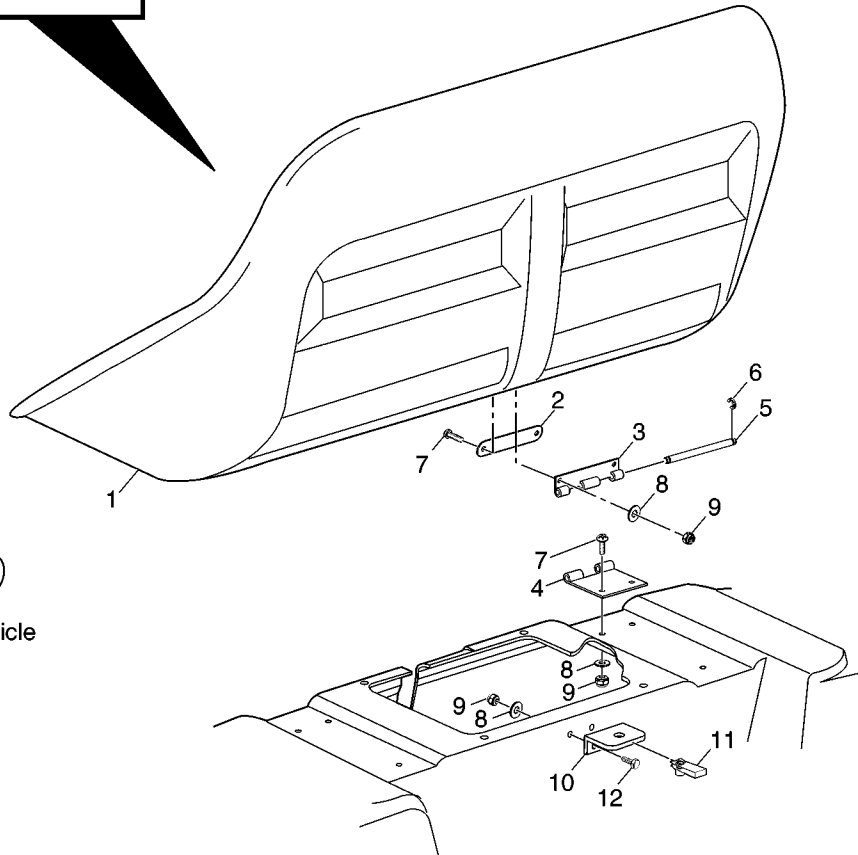
| ITEM | PART NO. | 1 2 3 4 5 | DESCRIPTION | QTY. |
|------|----------|-----------|-----------------------------|------|
| 31 | | | | |
| 32 | 10194-G1 | | SHOCK BUSHING | 4 |
| 33 | 10435-G1 | | SHOCK ABSORBER WASHER | 4 |
| 34 | 00532-G6 | | NUT, 3/8 - 24 | 2 |

SEATS

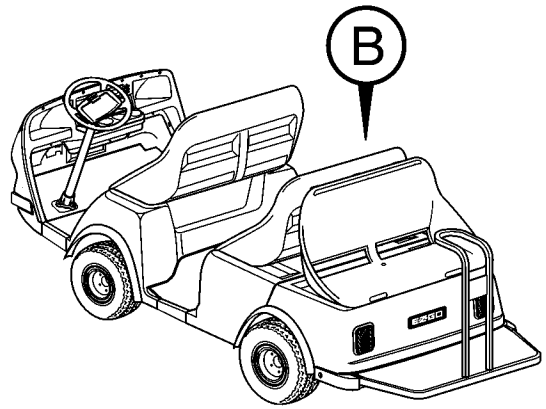
SHUTTLE 956 SHOWN



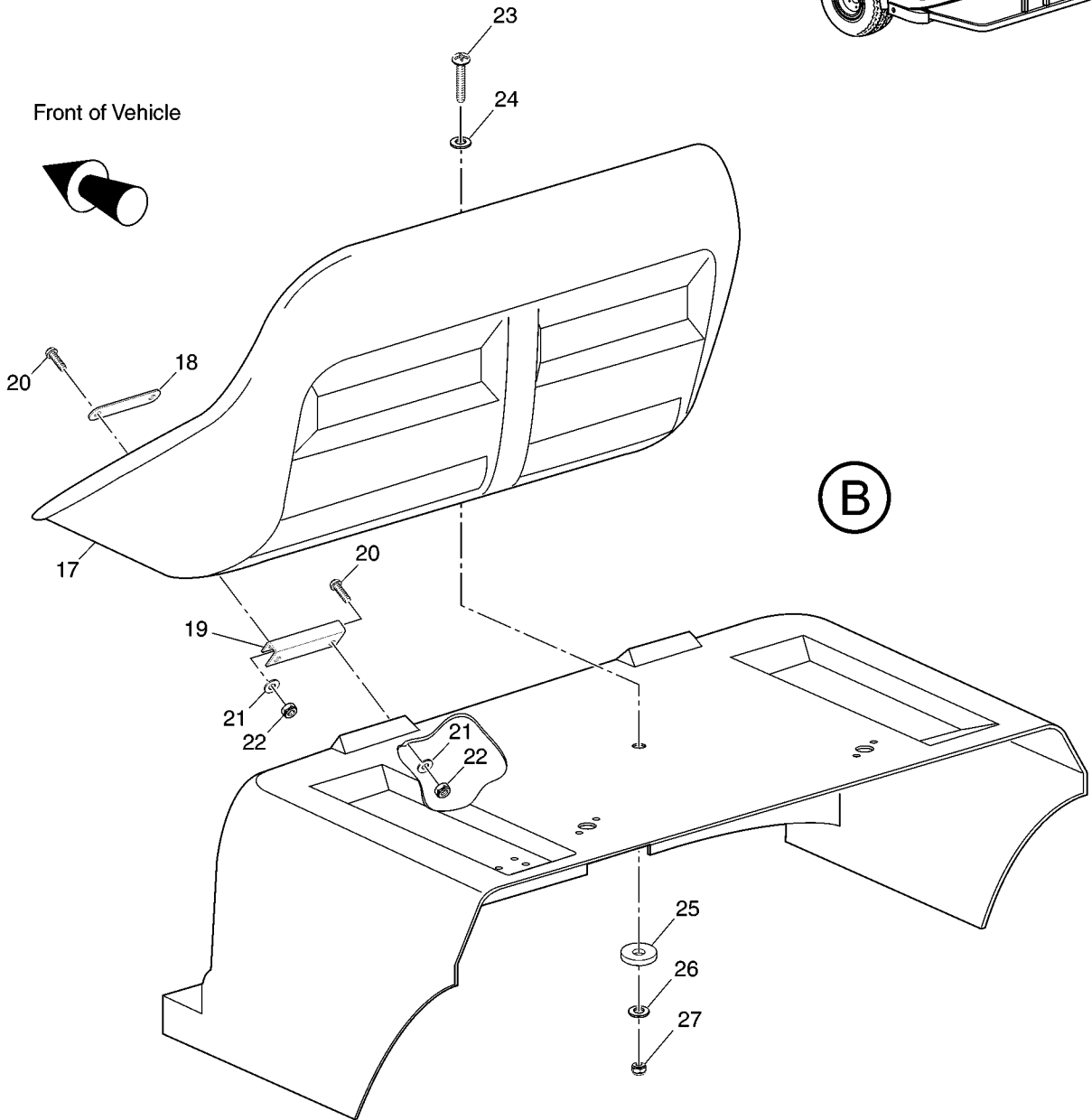
A



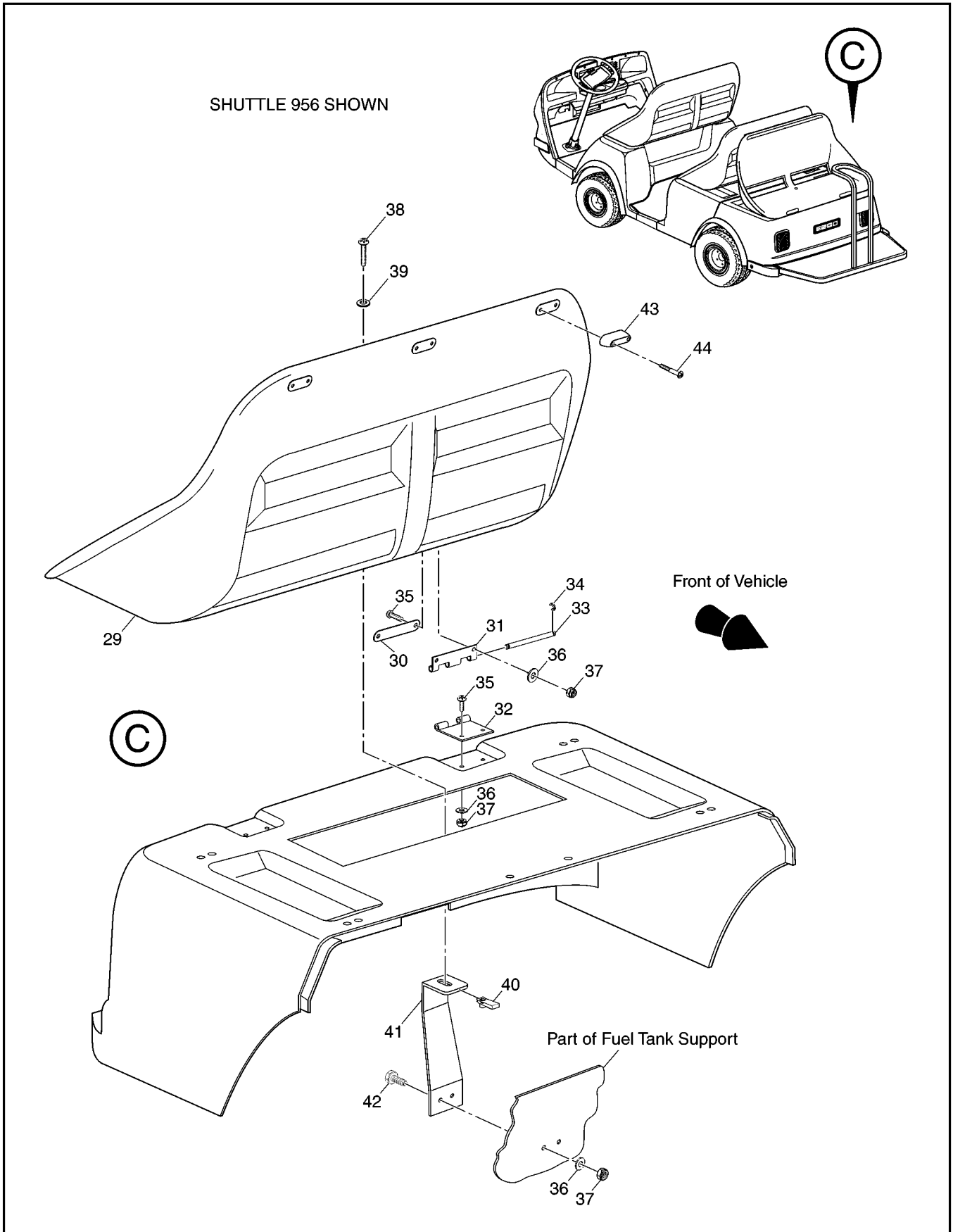
SHUTTLE 956 SHOWN



Front of Vehicle



SEATS



SEATS

THE USE OF NON U.L. PARTS WILL VOID ANY U.L. LISTING.

When ordering parts, please specify the model and serial number of the product.

* Indicates a component that is not available as an individual part.

G** Indicates consult Customer Service Department for additional information.

| ITEM | PART NO. | 1 2 3 4 5 | DESCRIPTION | QTY. |
|------|-----------|-----------|---|------|
| 1 | 34098-G02 | | FRONT SEAT | 1 |
| 2 | 34230-G01 | | BACKING PLATE | 2 |
| 3 | 34198-G01 | | HINGE (SEAT HALF) | 2 |
| 4 | 34197-G01 | | HINGE (HOUSING HALF)..... | 2 |
| 5 | 34228-G01 | | HINGE PIN | 2 |
| 6 | 14117-G1 | | RETAINING RING | 4 |
| 7 | 16705-G9 | | SCREW, 1/4 - 20 X 1 1/4" LG (STAINLESS STEEL) | 8 |
| 8 | 01110-G01 | | WASHER, 1/4" (STAINLESS STEEL) | 10 |
| 9 | 00654-G2 | | LOCK NUT, 1/4 - 20 (STAINLESS STEEL) | 10 |
| 10 | 34710-G01 | | LOCKDOWN SUPPORT ANGLE..... | 1 |
| 11 | 14776-G1 | | RETAINER NUT ('J' TYPE) | 1 |
| 12 | 00661-G6 | | BOLT, 1/4 - 20 X 3/4" LG (STAINLESS STEEL)..... | 2 |
| 13 | 16705-G8 | | SCREW, 1/4 - 20 X 2" LG (STAINLESS STEEL) | 1 |
| 14 | 01110-G01 | | WASHER, 1/4" (STAINLESS STEEL) | 1 |
| 15 | 34737-G02 | | RETAINER | 1 |
| 16 | | | | |
| 17 | 34098-G01 | | SEAT | 1 |
| 18 | 34230-G01 | | BACKING PLATE | 2 |
| 19 | 34229-G01 | | SEAT MOUNTING BRACKET..... | 2 |
| 20 | 16705-G1 | | SCREW, 1/4 - 20 X 1" LG (STAINLESS STEEL) | 8 |
| 21 | 01110-G01 | | WASHER, 1/4" (STAINLESS STEEL) | 8 |
| 22 | 00654-G2 | | LOCK NUT, 1/4 - 20 (STAINLESS STEEL) | 8 |
| 23 | 16705-G8 | | SCREW, 1/4 - 20 X 2" LG (STAINLESS STEEL) | 1 |
| 24 | 00660-G7 | | WASHER, 1/4" (STAINLESS STEEL) | 1 |
| 25 | 30036-G1 | | RUBBER WASHER..... | 1 |
| 26 | 10669-G6 | | WASHER, 1/4" | 1 |
| 27 | 00654-G2 | | LOCK NUT, 1/4 - 20 (STAINLESS STEEL) | 1 |
| 28 | | | | |
| 29 | 34098-G01 | | SEAT | 1 |
| 30 | 34230-G01 | | BACKING PLATE | 2 |

SEATS

THE USE OF NON U.L. PARTS WILL VOID ANY U.L. LISTING.

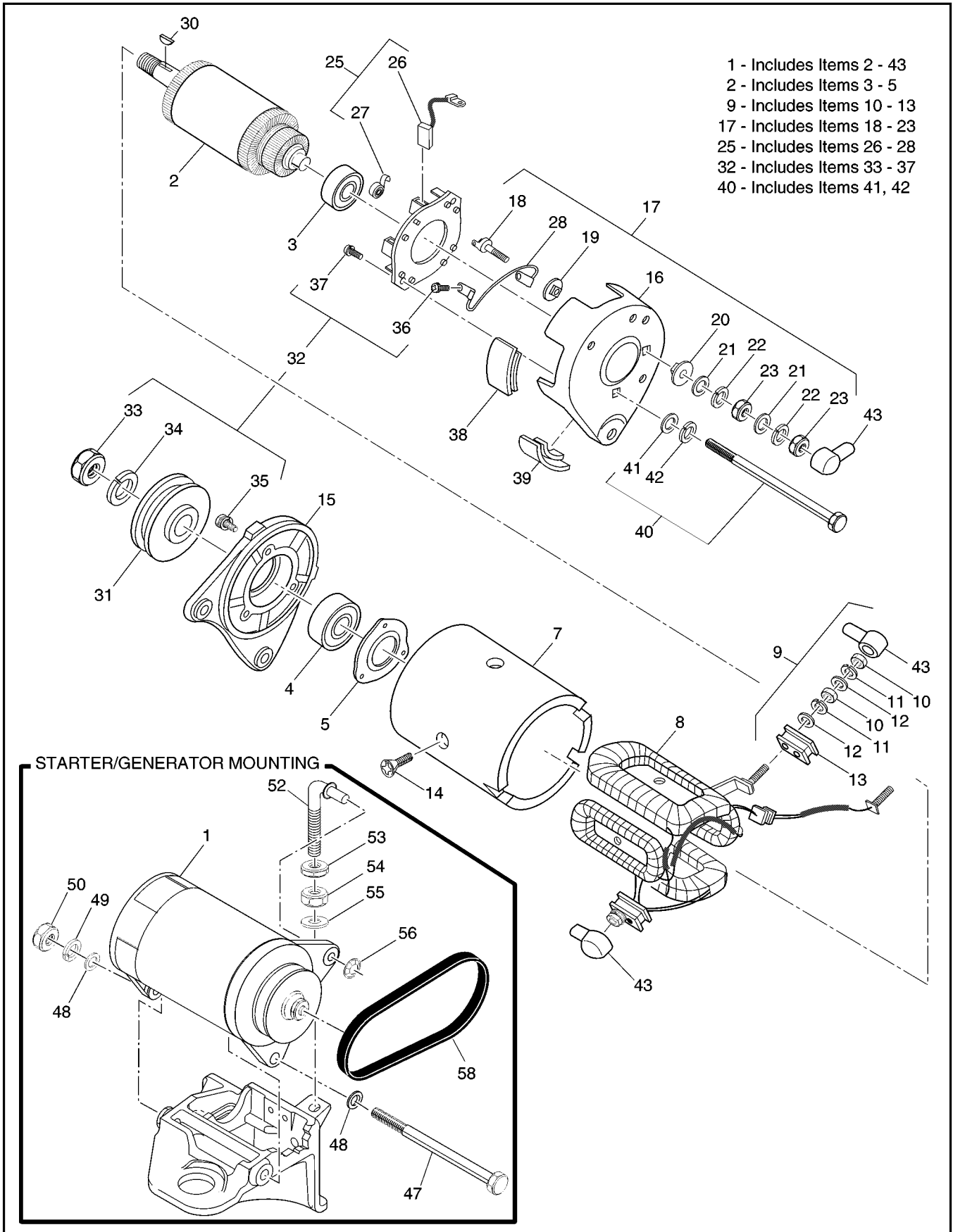
When ordering parts, please specify the model and serial number of the product.

* Indicates a component that is not available as an individual part.

G** Indicates consult Customer Service Department for additional information.

| ITEM | PART NO. | 1 2 3 4 5 | DESCRIPTION | QTY. |
|------|-----------|-----------|---|------|
| 31 | 34198-G01 | | HINGE (SEAT HALF) | 2 |
| 32 | 34197-G01 | | HINGE (HOUSING HALF)..... | 2 |
| 33 | 34228-G01 | | HINGE PIN | 2 |
| 34 | 14117-G1 | | RETAINING RING | 4 |
| 35 | 16705-G1 | | SCREW, 1/4 - 20 X 1" LG (STAINLESS STEEL) | 8 |
| 36 | 01110-G01 | | WASHER, 1/4" (STAINLESS STEEL) | 10 |
| 37 | 00654-G2 | | LOCK NUT, 1/4 - 20 (STAINLESS STEEL) | 10 |
| 38 | 16705-G8 | | SCREW, 1/4 - 20 X 2" LG (STAINLESS STEEL) | 1 |
| 39 | 00660-G7 | | WASHER, 1/4" (STAINLESS STEEL) | 1 |
| 40 | 14776-G1 | | RETAINER NUT ('J' TYPE)..... | 1 |
| 41 | 34240-G01 | | HOLD DOWN BRACKET | 1 |
| 42 | 00661-G6 | | BOLT, 1/4 - 20 X 3/4" LG (STAINLESS STEEL)..... | 2 |
| 43 | 11097-G1 | | BUMPER PAD | 3 |
| 44 | 00128-G8 | | SCREW, #5 - 20 X 1" LG..... | 6 |

STARTER / GENERATOR



STARTER / GENERATOR

THE USE OF NON U.L. PARTS WILL VOID ANY U.L. LISTING.

When ordering parts, please specify the model and serial number of the product.

* Indicates a component that is not available as an individual part.

G** Indicates consult Customer Service Department for additional information.

| ITEM | PART NO. | 1 | 2 | 3 | 4 | 5 | DESCRIPTION | QTY. | |
|------|-----------|--|---|---|---|---|-------------|------|---|
| 1 | 27065-G01 | STARTER / GENERATOR, COMPLETE (INCLUDES ITEMS 2 - 43) | | | | | | | 1 |
| 2 | 26870-G01 | ARMATURE ASSEMBLY (INCLUDES ITEMS 3 - 5) | | | | | | | 1 |
| 3 | 26871-G01 | REAR BALL BEARING | | | | | | | 1 |
| 4 | 26872-G01 | FRONT BALL BEARING | | | | | | | 1 |
| 5 | 26873-G01 | BEARING HOLDER | | | | | | | 1 |
| 6 | | | | | | | | | |
| 7 | 26874-G01 | FRAME & FIELD COIL ASSEMBLY (INCLUDES ITEM 8) | | | | | | | 1 |
| 8 | 26875-G01 | FIELD COIL | | | | | | | 1 |
| 9 | 26876-G01 | INSULATING BRUSH ASSEMBLY ('F') (INCLUDES ITEMS 10 - 13) | | | | | | | 2 |
| 10 | * | NUT | | | | | | | 2 |
| 11 | * | LOCK WASHER | | | | | | | 2 |
| 12 | * | WASHER | | | | | | | 2 |
| 13 | * | INSULATOR | | | | | | | 1 |
| 14 | 26877-G01 | POLE CORE SET SCREW | | | | | | | 4 |
| 15 | 26878-G01 | FRONT COVER | | | | | | | 1 |
| 16 | 26879-G01 | REAR COVER | | | | | | | 1 |
| 17 | 26880-G01 | TERMINAL ASSEMBLY ('A') (INCLUDES ITEMS 18 - 23) | | | | | | | 2 |
| 18 | * | TERMINAL | | | | | | | 2 |
| 19 | * | INSULATOR | | | | | | | 2 |
| 20 | * | INSULATOR | | | | | | | 2 |
| 21 | * | WASHER | | | | | | | 4 |
| 22 | * | LOCK WASHER | | | | | | | 4 |
| 23 | * | NUT | | | | | | | 4 |
| 24 | | | | | | | | | |
| 25 | 26881-G01 | BRUSH HOLDER ASSEMBLY (INCLUDES ITEMS 26 - 28) | | | | | | | 1 |
| 26 | 26658-G01 | BRUSH | | | | | | | 4 |
| 27 | 26882-G01 | BRUSH SPRING | | | | | | | 4 |
| 28 | 26883-G01 | BRUSH CONNECTOR | | | | | | | 2 |
| 29 | | | | | | | | | |
| 30 | 26884-G01 | KEY | | | | | | | 1 |

STARTER / GENERATOR

THE USE OF NON U.L. PARTS WILL VOID ANY U.L. LISTING.

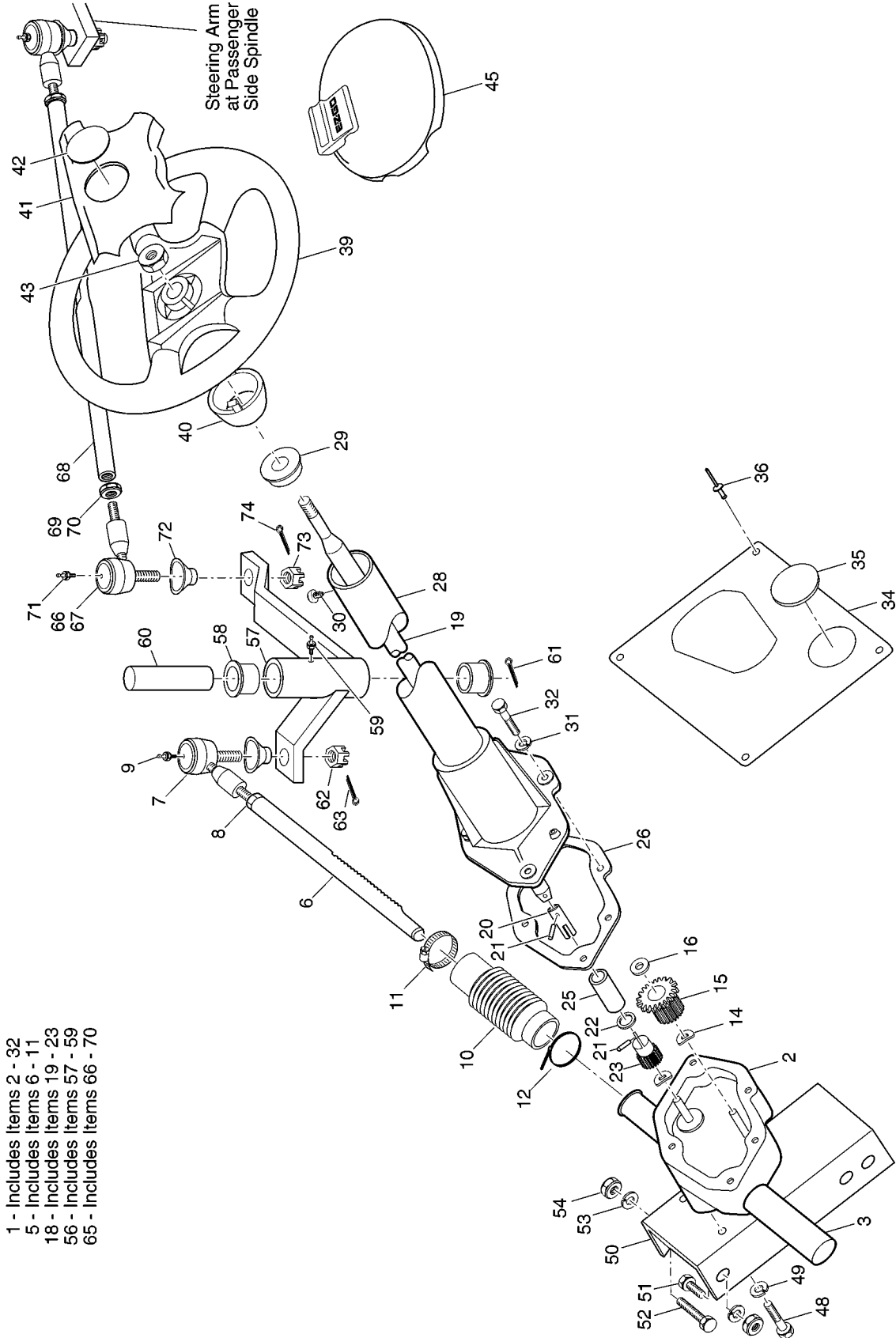
When ordering parts, please specify the model and serial number of the product.

* Indicates a component that is not available as an individual part.

G** Indicates consult Customer Service Department for additional information.

| ITEM | PART NO. | 1 | 2 | 3 | 4 | 5 | DESCRIPTION | QTY. |
|------|-----------|---|---|---|---|---|---|------|
| 31 | 26885-G01 | | | | | | PULLEY | 1 |
| 32 | 26886-G01 | | | | | | BRUSH AND PULLEY HARDWARE KIT (INCLUDES ITEMS 33 - 37)..... | 1 |
| 33 | * | | | | | | NUT | 1 |
| 34 | * | | | | | | LOCK WASHER..... | 1 |
| 35 | * | | | | | | SCREW | 3 |
| 36 | * | | | | | | SCREW | 4 |
| 37 | * | | | | | | SCREW | 2 |
| 38 | 26887-G01 | | | | | | BRUSH 1 COVER..... | 2 |
| 39 | 26888-G01 | | | | | | BRUSH 2 COVER..... | 3 |
| 40 | 26889-G01 | | | | | | HOUSING HARDWARE KIT (INCLUDES ITEMS 41, 42) | 2 |
| 41 | * | | | | | | WASHER..... | 2 |
| 42 | * | | | | | | LOCK WASHER..... | 2 |
| 43 | 25682-G01 | | | | | | TERMINAL COVER..... | 4 |
| 44 | | | | | | | | |
| 45 | | | | | | | | |
| 46 | | | | | | | | |
| 47 | 00938-G4 | | | | | | BOLT, 1/2 - 13 X 8" LG | 1 |
| 48 | 00560-G3 | | | | | | WASHER, 1/2" | 2 |
| 49 | 00566-G3 | | | | | | LOCK WASHER, 1/2"..... | 1 |
| 50 | 00533-G1 | | | | | | NUT, 1/2 - 13 | 1 |
| 51 | | | | | | | | |
| 52 | 72045-G01 | | | | | | STARTER/GENERATOR ADJUSTER..... | 1 |
| 53 | 00544-G5 | | | | | | JAM NUT, 3/8 - 16 | 1 |
| 54 | 00532-G5 | | | | | | NUT, 3/8 - 16 | 1 |
| 55 | 00560-G1 | | | | | | WASHER, 3/8" | 1 |
| 56 | 12064-G1 | | | | | | PUSH NUT, 5/16" | 1 |
| 57 | | | | | | | | |
| 58 | 26414-G01 | | | | | | STARTER/GENERATOR BELT | 1 |

STEERING



STEERING

THE USE OF NON U.L. PARTS WILL VOID ANY U.L. LISTING.

When ordering parts, please specify the model and serial number of the product.

* Indicates a component that is not available as an individual part.

G** Indicates consult Customer Service Department for additional information.

| ITEM | PART NO. | 1 2 3 4 5 | DESCRIPTION | QTY. |
|------|-----------|-----------|---|------|
| 1 | 19152-G8 | | STEERING UNIT (INCLUDES ITEMS 2 - 32)..... | 1 |
| 2 | 13097-G1 | | HOUSING (INCLUDES ITEM 3) | 1 |
| 3 | 13570-G2 | | RACK COVER..... | 1 |
| 4 | | | | |
| 5 | 15407-G1 | | RACK AND ROD END (INCLUDES ITEMS 6 - 11) | 1 |
| 6 | * | | STEERING RACK | 1 |
| 7 | 23278-G1 | | BALL JOINT AND TIE ROD END | 1 |
| 8 | 00532-G8 | | NUT, 7/16 - 20 | 1 |
| 9 | 18456-G1 | | GREASE FITTING | 1 |
| 10 | 17617-G1 | | BELLOWS | 1 |
| 11 | 11391-G5 | | HOSE CLAMP, 13/16" | 1 |
| 12 | 17618-G1 | | WIRE TIE | 1 |
| 13 | | | | |
| 14 | 51294-G1 | | WAVE WASHER | 2 |
| 15 | 23279-G1 | | REDUCTION GEAR | 1 |
| 16 | 13059-G2 | | THRUST WASHER..... | 1 |
| 17 | | | | |
| 18 | 17163-G3 | | STEERING SHAFT ASSEMBLY (INCLUDES ITEMS 19 - 23)..... | 1 |
| 19 | * | | STEERING SHAFT | 1 |
| 20 | * | | COUPLING..... | 1 |
| 21 | * | | DOWEL PIN, 1/4" X 5/8" LG..... | 2 |
| 22 | * | | THRUST WASHER | 1 |
| 23 | * | | STEERING PINION..... | 1 |
| 24 | | | | |
| 25 | 17140-G1 | | SLEEVE | 1 |
| 26 | 19154-G1 | | GASKET | 1 |
| 27 | | | | |
| 28 | 19153-G5 | | STEERING COLUMN | 1 |
| 29 | 28569-G01 | | STEERING COLUMN BUSHING..... | 1 |
| 30 | 01022-G01 | | SCREW, #6 - 20 X 5/16" LG | 1 |

STEERING

THE USE OF NON U.L. PARTS WILL VOID ANY U.L. LISTING.

When ordering parts, please specify the model and serial number of the product.

* Indicates a component that is not available as an individual part.

G** Indicates consult Customer Service Department for additional information.

| ITEM | PART NO. | 1 2 3 4 5 | DESCRIPTION | QTY. |
|------|-----------|-----------|--|------|
| 31 | 00565-G8 | | LOCK WASHER, 5/16" | 4 |
| 32 | 00444-G8 | | BOLT, 5/16 - 24 X 1" LG..... | 4 |
| 33 | | | | |
| 34 | 34122-G01 | | COVER PLATE | 1 |
| 35 | 20271-G6 | | HOLE PLUG..... | 1 |
| 36 | 71055-G01 | | RIVET, 3/16" X 1" LG (ALUMINUM)..... | 4 |
| 37 | | | | |
| 38 | | | | |
| 39 | 71948-G01 | | STEERING WHEEL | 1 |
| 40 | 71949-G01 | | HUB..... | 1 |
| 41 | 71147-G01 | | COVER..... | 1 |
| 42 | 71047-G01 | | DECAL | 1 |
| 43 | 14390-G2 | | LOCK NUT, 5/8 - 18 | 1 |
| 44 | | | | |
| 45 | 71950-G01 | | CLIPBOARD..... | 1 |
| 46 | | | | |
| 47 | | | | |
| 48 | 00276-G6 | | BOLT, 5/16 - 24 X 3/4" LG..... | 3 |
| 49 | 00565-G8 | | LOCK WASHER, 5/16"..... | 3 |
| 50 | 34056-G01 | | STEERING SUPPORT..... | 1 |
| 51 | 00438-G7 | | BOLT, 5/16 - 18 X 7/8" LG..... | 5 |
| 52 | 00439-G2 | | BOLT, 5/16 - 18 X 1 1/4" LG | 1 |
| 53 | 00559-G8 | | WASHER, 5/16" | 6 |
| 54 | 01109-G01 | | LOCK NUT, 5/16 - 18 (STAINLESS STEEL) | 6 |
| 55 | | | | |
| 56 | 34093-G01 | | IDLER ASSEMBLY (INCLUDES ITEMS 57 - 59)..... | 1 |
| 57 | 34094-G01 | | IDLER | 1 |
| 58 | 15012-G1 | | FLANGED BEARING..... | 2 |
| 59 | 10389-G3 | | GREASE FITTING | 1 |
| 60 | 33264-G01 | | IDLER SHAFT | 1 |

THE USE OF NON U.L. PARTS WILL VOID ANY U.L. LISTING.

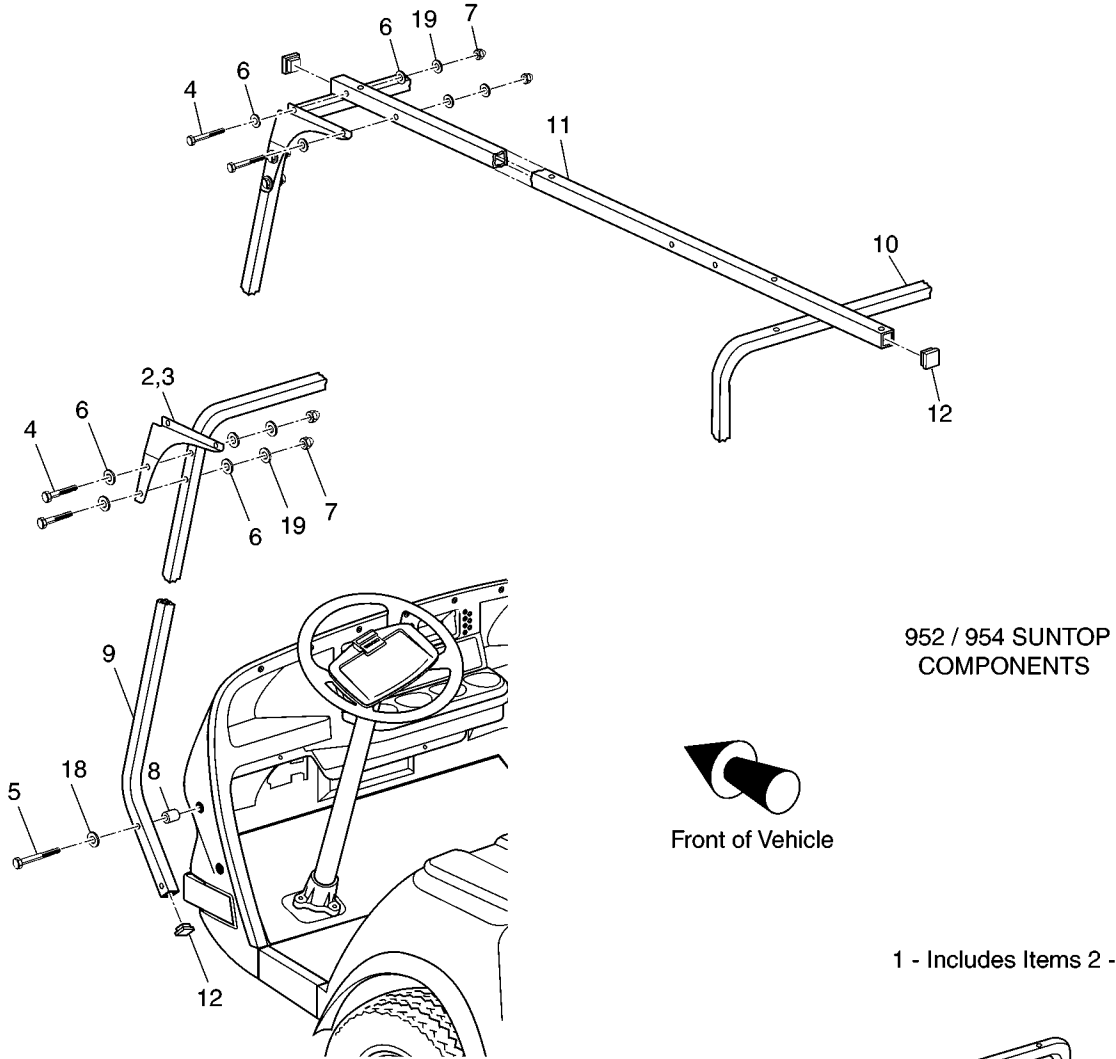
When ordering parts, please specify the model and serial number of the product.

* Indicates a component that is not available as an individual part.

G** Indicates consult Customer Service Department for additional information.

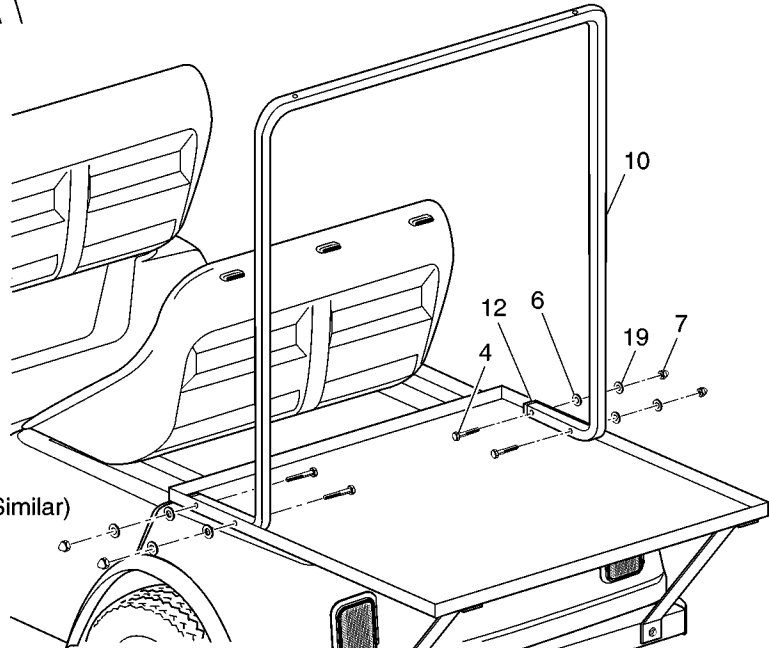
| ITEM | PART NO. | 1 | 2 | 3 | 4 | 5 | DESCRIPTION | QTY. |
|------|-----------|---|---|---|---|---|--|------|
| 61 | 10387-G6 | | | | | | COTTER PIN, 3/16" X 1 1/2" LG..... | 1 |
| 62 | 50209-G1 | | | | | | CASTELLATED NUT, 7/16 - 20..... | 1 |
| 63 | 10387-G2 | | | | | | COTTER PIN, 3/32" X 1" LG..... | 1 |
| 64 | | | | | | | | |
| 65 | 34084-G03 | | | | | | TIE ROD (INCLUDES ITEMS 66 - 70)..... | 1 |
| 66 | 27205-G01 | | | | | | TIE ROD END (LEFT HAND THREADS)..... | 1 |
| 67 | 27205-G02 | | | | | | TIE ROD END (RIGHT HAND THREADS)..... | 1 |
| 68 | 70583-G09 | | | | | | THREADED TUBE WITH FLAT..... | 1 |
| 69 | 18434-G3 | | | | | | JAM NUT, 9/16 - 18 (LEFT HAND THREADS)..... | 1 |
| 70 | 18434-G4 | | | | | | JAM NUT, 9/16 - 18 (RIGHT HAND THREADS)..... | 1 |
| 71 | 10389-G3 | | | | | | GREASE FITTING..... | 2 |
| 72 | 50641-G1 | | | | | | RUBBER BOOT..... | 2 |
| 73 | 50209-G2 | | | | | | CASTELLATED NUT, 7/16 - 20..... | 2 |
| 74 | 10387-G2 | | | | | | COTTER PIN, 3/32" X 1" LG..... | 2 |

WEATHER PROTECTION

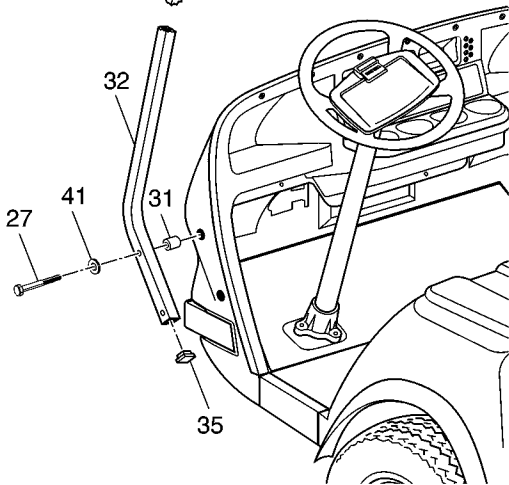
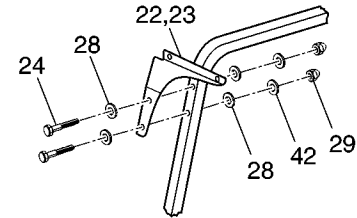
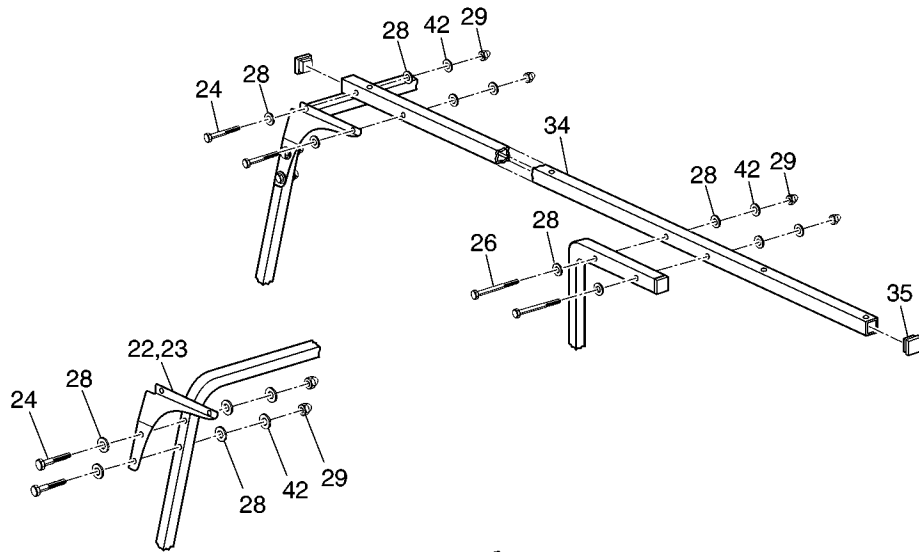


1 - Includes Items 2 - 19

NOTE:
954 Shown (952 Similar)



WEATHER PROTECTION



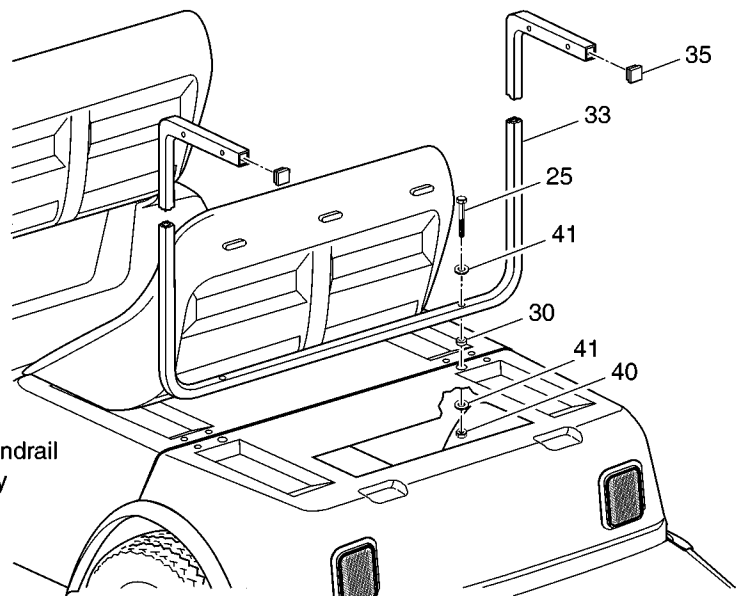
956 SUNTOP
COMPONENTS



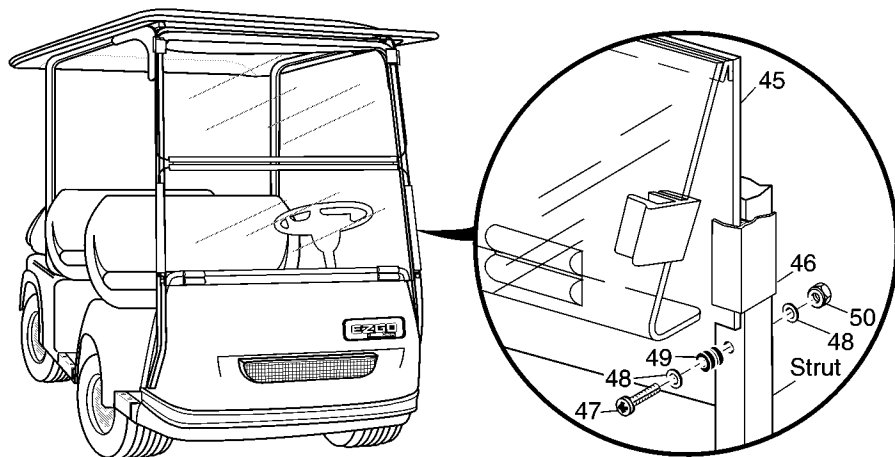
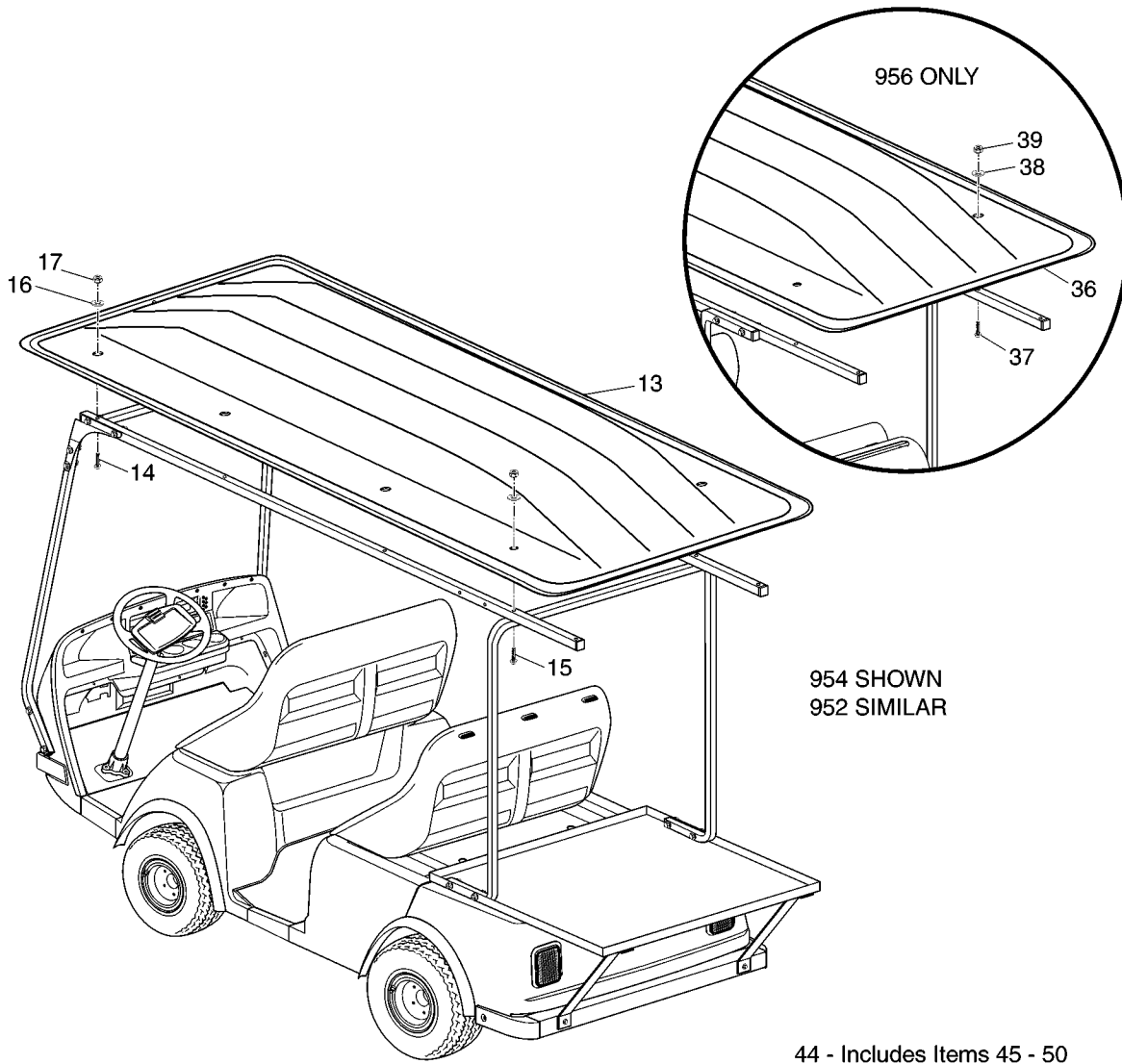
Front of Vehicle

21 - Includes Items 22 - 42

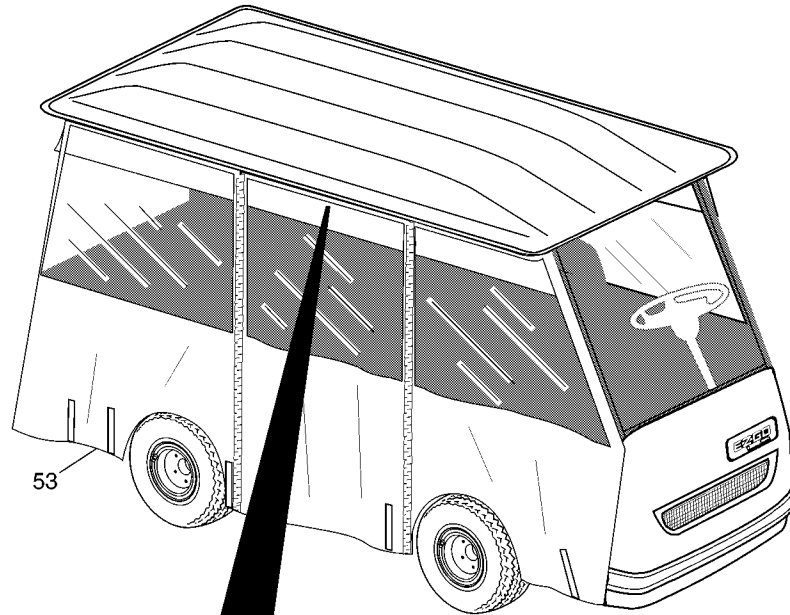
NOTE:
Back Seat and Handrail
Omitted For Clarity



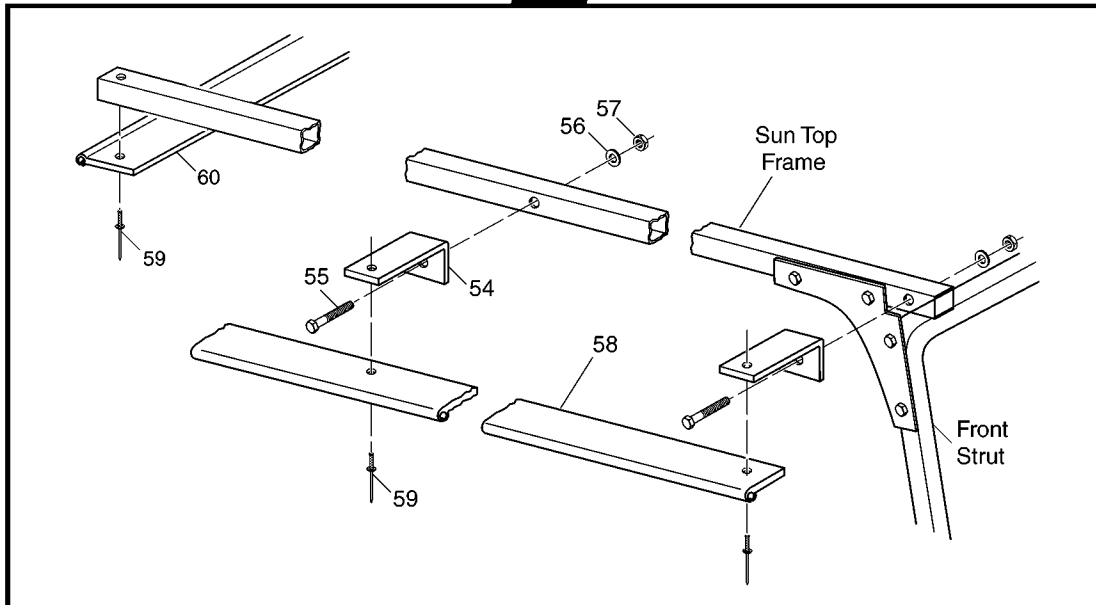
WEATHER PROTECTION



52 - Includes Items 53 - 60



ENCLOSURE COMPONENTS



WEATHER PROTECTION

THE USE OF NON U.L. PARTS WILL VOID ANY U.L. LISTING.

When ordering parts, please specify the model and serial number of the product.

* Indicates a component that is not available as an individual part.

G** Indicates consult Customer Service Department for additional information.

| ITEM | PART NO. | 1 2 3 4 5 | DESCRIPTION | QTY. |
|------|-----------|-----------|--|------|
| 1 | 35541-G** | | SUN TOP KIT (952/954) (INCLUDES ITEMS 2 - 19)..... | 1 |
| 2 | 35577-G01 | | STABILIZER (DRIVER SIDE) | 1 |
| 3 | 35577-G02 | | STABILIZER (PASSENGER SIDE)..... | 1 |
| 4 | 01043-G04 | | BOLT, 5/16 - 18 X 1 3/4" LG..... | 12 |
| 5 | 00441-G2 | | BOLT, 5/16 - 18 X 3 1/4" LG..... | 4 |
| 6 | 01045-G01 | | WASHER, 5/16" | 20 |
| 7 | 01046-G01 | | ACORN NUT, 5/16 - 18..... | 12 |
| 8 | 34472-G01 | | SPACER, 1/2" X 1 7/16" LG..... | 4 |
| 9 | 34746-G01 | | FRONT STRUT..... | 1 |
| 10 | 35540-G01 | | REAR STRUT | 1 |
| 11 | 35539-G01 | | TOP FRAME | 2 |
| 12 | 19853-G1 | | END CAP, 1" | 8 |
| 13 | 75530-G0* | | SUN TOP | 1 |
| 14 | 01044-G04 | | SCREW, 1/4 - 20 X 1 3/4" LG | 6 |
| 15 | 01044-G08 | | SCREW, 1/4 - 20 X 2 3/4" LG | 2 |
| 16 | 00915-G1 | | BONDED WASHER, 1/4"..... | 8 |
| 17 | 14390-G4 | | LOCK NUT, 1/4 - 20 | 8 |
| 18 | 00642-G8 | | WASHER, 5/16" | 4 |
| 19 | 00905-G8 | | LOCK WASHER, 5/16" | 12 |
| 20 | | | | |
| 21 | 35543-G** | | SUN TOP KIT (956) (INCLUDES ITEMS 22 - 42)..... | 1 |
| 22 | 35577-G01 | | STABILIZER (DRIVER SIDE) | 1 |
| 23 | 35577-G02 | | STABILIZER (PASSENGER SIDE)..... | 1 |
| 24 | 01043-G04 | | BOLT, 5/16 - 18 X 1 3/4" LG..... | 8 |
| 25 | 00440-G2 | | BOLT, 5/16 - 18 X 2 1/4" LG..... | 2 |
| 26 | 01043-G07 | | BOLT, 5/16 - 18 X 2 1/2" LG..... | 4 |
| 27 | 00441-G2 | | BOLT, 5/16 - 18 X 3 1/4" LG..... | 4 |
| 28 | 01045-G01 | | WASHER, 5/16" | 24 |
| 29 | 01046-G01 | | ACORN NUT, 5/16 - 18..... | 12 |
| 30 | 19247-G2 | | SPACER, 3/8" LG | 2 |

WEATHER PROTECTION

THE USE OF NON U.L. PARTS WILL VOID ANY U.L. LISTING.

When ordering parts, please specify the model and serial number of the product.

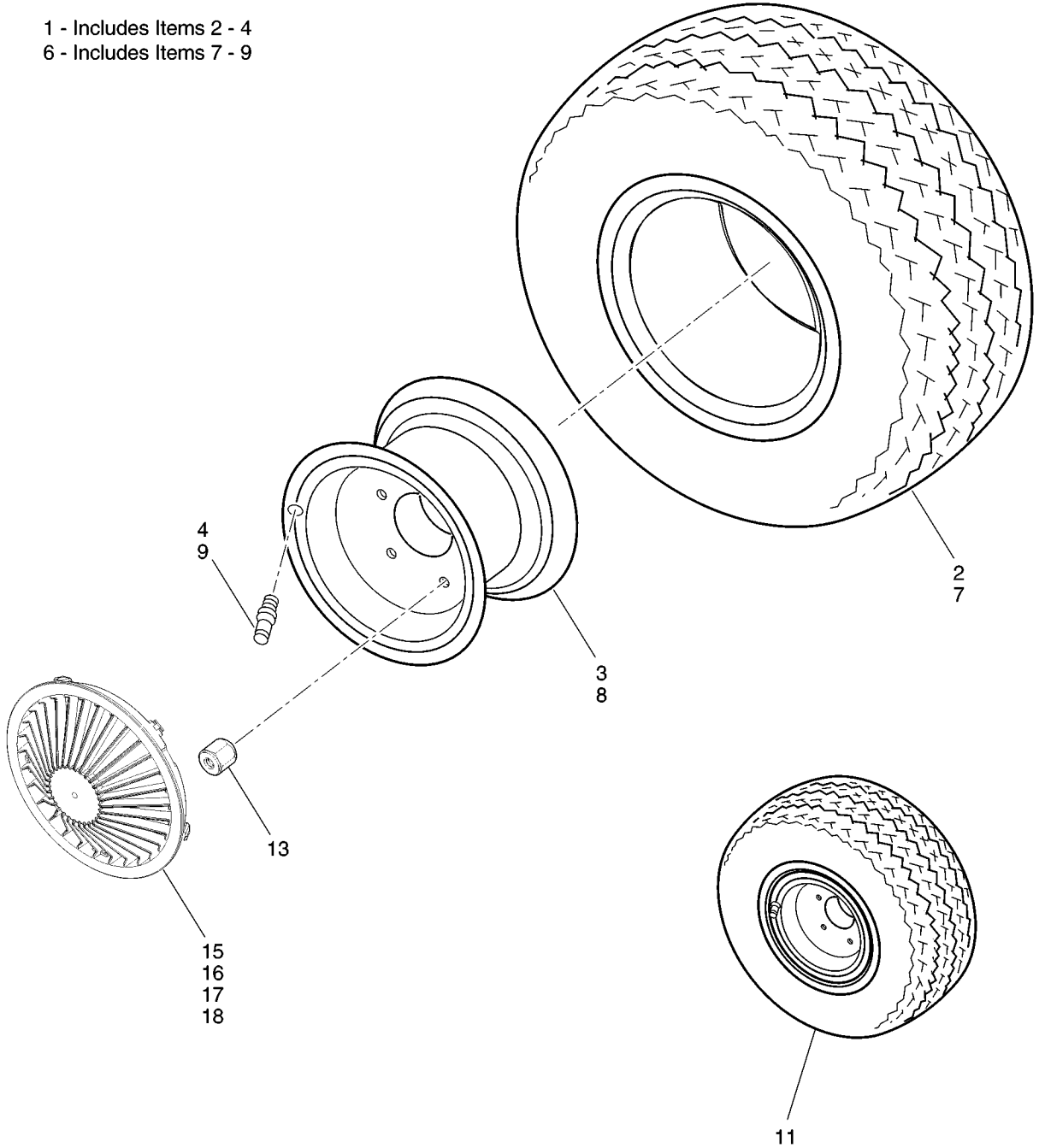
* Indicates a component that is not available as an individual part.

G** Indicates consult Customer Service Department for additional information.

| ITEM | PART NO. | 1 | 2 | 3 | 4 | 5 | DESCRIPTION | QTY. |
|------|-----------|---|---|---|---|---|--|------|
| 31 | 34472-G01 | | | | | | SPACER, 1 7/16" LG | 4 |
| 32 | 34746-G01 | | | | | | FRONT STRUT..... | 1 |
| 33 | 35578-G01 | | | | | | REAR STRUT | 1 |
| 34 | 35539-G01 | | | | | | TOP FRAME | 2 |
| 35 | 19853-G1 | | | | | | END CAP, 1" | 8 |
| 36 | 75530-G0* | | | | | | SUN TOP | 1 |
| 37 | 01044-G04 | | | | | | SCREW, 1/4 - 20 X 1 3/4" LG | 8 |
| 38 | 00915-G1 | | | | | | BONDED WASHER, 1/4"..... | 8 |
| 39 | 14390-G4 | | | | | | LOCK NUT, 1/4 - 20 | 8 |
| 40 | 01109-G01 | | | | | | LOCK NUT, 5/16 - 18 (STAINLESS STEEL)..... | 2 |
| 41 | 00642-G8 | | | | | | WASHER, 5/16" | 8 |
| 42 | 00905-G8 | | | | | | LOCK WASHER, 5/16" | 12 |
| 43 | | | | | | | | |
| 44 | 35567-G01 | | | | | | SPLIT WINDSHIELD KIT (INCLUDES ITEMS 45 - 50) | 1 |
| 45 | E950WSB3 | | | | | | SPLIT WINDSHIELD | 1 |
| 46 | EGWHC24 | | | | | | SASH, 14" LG | 2 |
| 47 | EGWHS12 | | | | | | SCREW, 1/4 - 20 X 2" LG | 2 |
| 48 | EGWHW12 | | | | | | WASHER, 1/4" | 4 |
| 49 | EGWHG13 | | | | | | RUBBER GROMMET | 2 |
| 50 | EGWHN12 | | | | | | LOCK NUT, 1/4 - 20..... | 2 |
| 51 | | | | | | | | |
| 52 | 35550-G03 | | | | | | WEATHER ENCLOSURE KIT (INCLUDES ITEMS 53 - 60) | 1 |
| 53 | 35586-G01 | | | | | | WEATHER ENCLOSURE CURTAIN SET | 1 |
| 54 | 35579-G01 | | | | | | SIDE SUPPORT BRACKET | 8 |
| 55 | 00415-G4 | | | | | | BOLT, 1/4 - 20 X 1 1/2" LG..... | 8 |
| 56 | 01110-G01 | | | | | | WASHER, 1/4" (STAINLESS STEEL)..... | 8 |
| 57 | 14390-G4 | | | | | | LOCK NUT, 1/4 - 20 | 8 |
| 58 | 35560-G01 | | | | | | SIDE EXTRUSION..... | 2 |
| 59 | 00852-G1 | | | | | | RIVET, 3/16" X 7/16" LG | 10 |
| 60 | 35561-G01 | | | | | | REAR EXTRUSION | 1 |

WHEELS AND TIRES

1 - Includes Items 2 - 4
6 - Includes Items 7 - 9



WHEELS AND TIRES

When ordering parts, please specify the model and serial number of the product.

* Indicates a component that is not available as an individual part.

G** Indicates consult Customer Service Department for additional information.

| ITEM | PART NO. | 1 2 3 4 5 | DESCRIPTION | QTY. |
|------|-----------|-----------|---|------|
| 1 | 32153-G2 | | WHEEL AND TIRE ASSEMBLY (USA TRAIL, LRC, 5.70 - 8, STANDARD) (INCLUDES ITEMS 2 - 4)..... | 4 |
| 2 | 27784-G03 | | TIRE (USA TRAIL 5.70 - 8 LRC) | 1 |
| 3 | 23385-G1 | | RIM (5 LUG)..... | 1 |
| 4 | 26482-G01 | | VALVE STEM..... | 1 |
| 5 | | | | |
| 6 | 32028-G2 | | WHEEL AND TIRE ASSEMBLY (USA TRAIL, LRC, 8.5 - 8, OPTIONAL) (INCLUDES ITEMS 7 - 9)..... | 4 |
| 7 | 27775-G02 | | TIRE (USA TRAIL 8.5 - 8 - 6 PLY RATED)..... | 1 |
| 8 | 10641-G2 | | RIM (5 LUG)..... | 1 |
| 9 | 11657-G1 | | VALVE STEM..... | 1 |
| 10 | | | | |
| 11 | 35154-G01 | | WHEEL AND TIRE ASSEMBLY (FOAM FILLED, LRC, 5.70 - 8, OPTIONAL) ... | 4 |
| 12 | | | | |
| 13 | 14723-G1 | | LUG NUT, 1/2 - 20..... | 20 |
| 14 | | | | |
| 15 | 35599-G01 | | SILVER SPOKE HUBCAP (OPTIONAL)..... | 4 |
| 16 | 35599-G02 | | GOLD SPOKE HUBCAP (OPTIONAL) | 4 |
| 17 | 35599-G03 | | SILVER SPOKE HUBCAP SET (OPTIONAL)..... | 1 |
| 18 | 35599-G04 | | GOLD SPOKE HUBCAP SET (OPTIONAL) | 1 |

WHEELS AND TIRES

SPECIALTY PRODUCTS

SPECIALTY PRODUCTS

SPECIALTY PRODUCTS

| SPECIAL TOOLS | PART NO. |
|---|-----------------|
| HIGH RESISTANCE SPARK PLUG WIRE SET | 26733-G02 |
| CLUTCH PULLER (DRIVE) | 19779-G2 |
| FLYWHEEL PULLER | 27111-G01 |
| CURRENT INDICATOR | 16489-G2 |
| DIGITAL MULTI-METER | 27481-G01 |
| SLIDE HAMMER (AXLE/HUB REMOVAL) | 15947-G1 |
| SLIDE HAMMER (AXLE REMOVAL ONLY) | 18753-G1 |
| COMPRESSION TESTER | 72524-G01 |
| FEELER GAUGE | 72525-G01 |
| TACHOMETER | 72526-G01 |

| ENGINE OIL | PART NO. |
|---|-----------------|
| 4 CYCLE ENGINE OIL, 5 GALLON (19 LITER) | 25730-G03 |
| 4 CYCLE ENGINE OIL, 12 QUART CASE | 25730-G04 |
| 4 CYCLE ENGINE OIL, 1 QUART BOTTLE (950 ML) | 25730-G06 |

| TOUCH UP PAINT | PART NO. |
|---|-----------------|
| PEN 3 OUNCE (89 ML) - HUNTER GREEN | 28432-G02 |
| PEN 3 OUNCE (89 ML) - CHAMPAGNE BEIGE | 28432-G01 |
| PEN 3 OUNCE (89 ML) - WHITE | 28432-G05 |
| PEN 3 OUNCE (89 ML) - INDUSTRIAL YELLOW | 28432-G03 |
| PEN 3 OUNCE (89 ML) - ORANGE | 28432-G04 |
| PEN 3 OUNCE (89 ML) - STEEL BLUE PEARL | 28432-G** |
| PEN 3 OUNCE (89 ML) - CAMOUFLAGE PAINT (THREE PENS) | 75831-G01 |
| AEROSOL 12 OUNCE (360 ML) - HUNTER GREEN | 28140-G09 |
| AEROSOL 12 OUNCE (360 ML) - CHAMPAGNE BEIGE | 28140-G15 |
| AEROSOL 12 OUNCE (360 ML) - WHITE | 28140-G03 |
| AEROSOL 12 OUNCE (360 ML) - INDUSTRIAL YELLOW | 28140-G14 |
| AEROSOL 12 OUNCE (360 ML) - ORANGE | 28140-G13 |
| AEROSOL 12 OUNCE (360 ML) - STEEL BLUE PEARL | 28140-G** |

SPECIALTY PRODUCTS

| MAINTENANCE PRODUCTS | PART NO. |
|---|-----------------|
| FORMULA 40 VINYL-COAT® - WHITE | 28166-G01 |
| PLEXUS® CLEANER, 7 OUNCE (210 ML) (FOR WINDSHIELDS) | 28433-G01 |
| PLEXUS® CLEANER, 13 OUNCE (380 ML) (FOR WINDSHIELDS) | 28433-G02 |
| BATTERY PROTECTOR, 14 OUNCE (410 ML) SPRAY | 75500-G01 |
| CARBURETOR & CHOKE CLEANER, 15 OUNCE (440 ML) SPRAY | 75501-G01 |
| WHITE LITHIUM GREASE, 14 OUNCE (410 ML) SPRAY | 75502-G01 |
| PENETRANT/LUBRICANT, 15 OUNCE (440 ML) SPRAY | 75503-G01 |
| MULTI-PURPOSE CLEANER & DEGREASER, 14 OUNCE (410 ML) SPRAY | 75504-G01 |
| MULTI-PURPOSE HAND CLEANER, 32 OUNCE (950 ML) LIQUID | 75505-G01 |
| BATTERY CLEANER, 32 OUNCE (950 ML) WITH TRIGGER SPRAYER..... | 75506-G01 |
| BIO-DEGRADABLE CLEANER, 32 OUNCE (950 ML) WITH TRIGGER SPRAYER..... | 75507-G01 |
| MULTI-PURPOSE VALUE PACK..... | 75508-G01 |
| • BATTERY PROTECTOR, 4 OUNCE (120 ML) SPRAY | |
| • PENETRANT/LUBRICANT, 4 OUNCE (120 ML) SPRAY | |
| • WHITE LITHIUM GREASE, 4 OUNCE (120 ML) SPRAY | |
| • CARBURETOR & CHOKE CLEANER, 4 OUNCE (120 ML) SPRAY | |

OPTIONS/ACCESSORIES

OPTIONS/ACCESSORIES

ACCESSORIES

| ITEM | KIT NO. | COMMENTS |
|--|-----------------|-------------------------|
| ACCESSORIES LISTING | KIT NO. | SECTION |
| 'E' HITCH KIT | 34781-G02 | CARGO DECKS AND HITCHES |
| PINTLE HITCH KIT | 34780-G02 | CARGO DECKS AND HITCHES |
| HOUR METER KIT | 34886-G04 | ELECTRICAL |
| STAKE SIDE KIT (FOR 952 ONLY) | 34761-G01 | CARGO DECKS AND HITCHES |
| SUN TOP KIT (WHITE 952/954) | 35541-G01 | WEATHER PROTECTION |
| SUN TOP KIT (WHITE 956) | 35543-G01 | WEATHER PROTECTION |
| SUN TOP KIT (CHAMPAGNE 952/954) | 35541-G02 | WEATHER PROTECTION |
| SUN TOP KIT (CHAMPAGNE 956) | 35543-G02 | WEATHER PROTECTION |
| SILVER SPOKE WHEEL COVERS (SET OF 4) | 35599-G03 | WHEELS AND TIRES |
| GOLD SPOKE WHEEL COVERS (SET OF 4) | 35599-G04 | WHEELS AND TIRES |
| WEATHER ENCLOSURE CURTAIN KIT | 35550-G03 | WEATHER PROTECTION |
| WINDSHIELD | 35567-G01 | WEATHER PROTECTION |



A Textron Company

E-Z-GO Division of Textron, Inc.
P.O. Box 388 Augusta, Georgia 30903-0388 USA
Inside USA Phone: 1-800-241-5855, FAX: 1-800-448-8124
Outside USA Phone: 010-1-706-798-4311, FAX: 010-1-706-771-4609

Copyrighted Material
This manual may not be reproduced in whole or
in part without the express permission of
E-Z-GO Division of Textron, Inc.
Technical Communications Department