

604938



A Textron Company



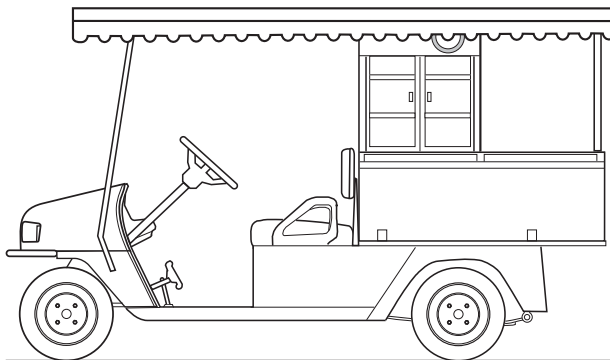
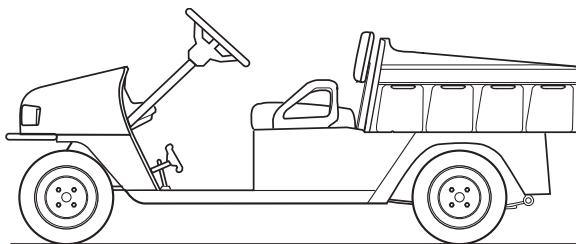
A Textron Company



A Textron Company



SERVICE PARTS MANUAL



Ref Fcv 21

GASOLINE POWERED UTILITY VEHICLES

ISSUED DATE APRIL 2006 REVISED DATE JULY 2008

SERVICE PARTS MANUAL

GASOLINE POWERED UTILITY VEHICLES

MPT™ 1200

COMMANDER™ 2200

HAULER™ 1200

REFRESHER® 1200

STARTING MODEL YEAR 2006+

DISCLAIMER: The E-Z-GO Division of Textron Inc. reserves the right to incorporate engineering and design changes to products in this Manual, without obligation to include these changes on units leased/sold previously.

The information contained in this Manual may be revised periodically by the E-Z-GO Division, and therefore is subject to change without notice.

The E-Z-GO Division DISCLAIMS LIABILITY FOR ERRORS IN THIS MANUAL, and the E-Z-GO Division SPECIFICALLY DISCLAIMS LIABILITY FOR INCIDENTAL AND CONSEQUENTIAL DAMAGES resulting from the use of the information and materials in this Manual.

CUSTOMER SERVICE DEPARTMENT IN USA PHONE: 1-800-241-5855 FAX: 1-800-448-8124

OUTSIDE USA PHONE: 001-706-798-4311, FAX: 001-706-771-4609

E-Z-GO DIVISION OF TEXTRON, INC., P.O.BOX 388, AUGUSTA, GEORGIA USA 30903-0388

NOTES

To obtain a copy of the limited warranty applicable to the vehicle, call or write a local Distributor, authorized Branch or the Warranty Department with vehicle serial number and manufacturer code.

The use of non Original Equipment Manufacturer (OEM) parts may void the warranty.

Tampering with or adjusting the governor to permit vehicle to operate at above factory specifications will void the vehicle warranty.

When servicing engines, all adjustments and replacement components must be per original vehicle specifications in order to maintain the United States of America Federal and State emission certification applicable at the time of manufacture.

BATTERY PROLONGED STORAGE

All batteries will self discharge over time. The rate of self discharge varies depending on the ambient temperature and the age and condition of the batteries.

A fully charged battery will not freeze in winter temperatures unless the temperature falls below -75° F (-60° C).

TABLE OF CONTENTS

SECTION	Page No.
HOW TO USE THE SERVICE PARTS MANUAL	v
ILLUSTRATED PARTS BREAKDOWN	vii
ACCELERATOR	A-1
AIR FILTER	B-1
BODY	C-1
BRAKES - FRONT DISC	D-1
BRAKES	E-1
CAB	F-1
CARBURETOR AND CHOKE	G-1
CLUTCH	H-1
DIRECTION SELECTOR	J-1
ELECTRICAL	K-1
ENGINE AND MUFFLER	L-1
ENGINE MOUNTING	M-1
FRONT SUSPENSION/STEERING	N-1
FUEL SYSTEM	P-1
REAR AXLE	Q-1
REFRESHER UNIT	R-1
REAR SUSPENSION	S-1
SEATING	T-1
STARTER / GENERATOR	U-1
TRUCK BED, PLASTIC	W-1
WEATHER PROTECTION	Y-1
WHEELS AND TIRES	Z-1
SPECIALTY PRODUCTS	APPENDIX A-1

HOW TO USE THE SERVICE PARTS MANUAL

This manual is divided into several sections:

GENERAL INFORMATION

- TABLE OF CONTENTS
- HOW TO USE THE SERVICE PARTS MANUAL

ILLUSTRATED PARTS BREAKDOWN

- Contains illustrations and parts lists for all systems of the vehicle

APPENDIX

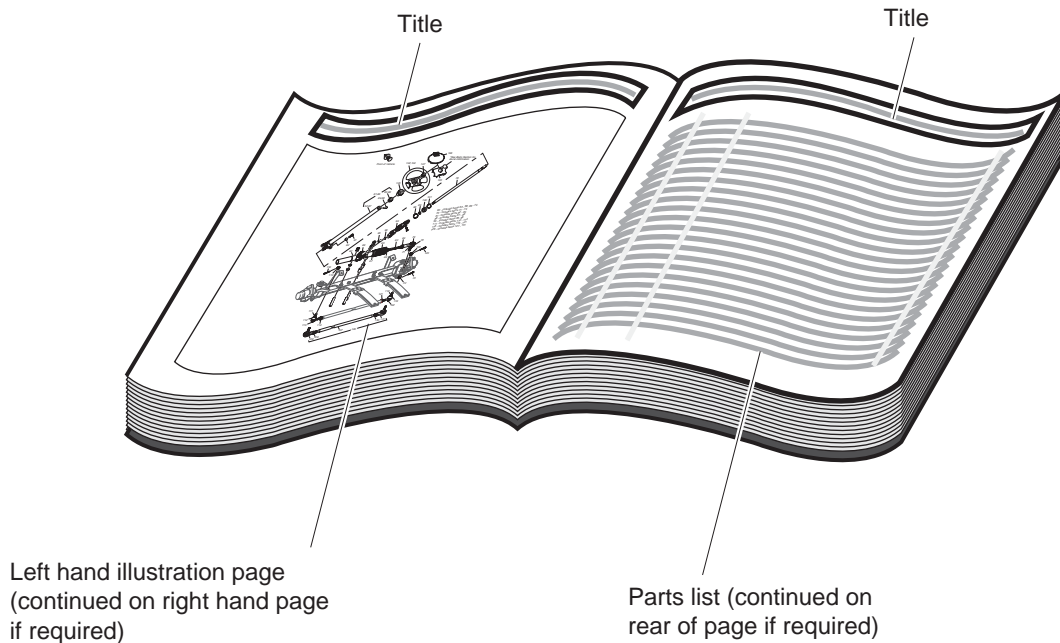
- Contains a listing of specialty products and options/accessories

USE OF THE MANUAL

To use this manual, consult the TABLE OF CONTENTS (page iii) to locate the information or illustration required.

Introduction of some revisions varies due to supply of components; therefore, it is possible that various combinations of components may be found that are not directly reflected by each illustration. Consult the illustration that best suits your situation. Locate the serial number plate (see BODY located in the Illustrated Parts Breakdown section of this manual for its location) and note the complete number shown on the plate. It is important that the serial number of your vehicle and its model number be supplied to Service Parts when ordering any replacement components.

HOW TO USE THE SERVICE PARTS MANUAL



1. WHEN THE PART NUMBER IS NOT KNOWN

- Determine the function and application of the part required. Turn to the INDEX OF MAJOR COMPONENTS and select the most appropriate component description.
- Turn to the page number indicated and locate the part description in the parts list. Read the full accompanying description for specific information regarding the part that was not shown in the index.
- From the parts list, obtain the item number assigned to it and confirm that the part selected is correct by verifying it with the pictorial representation on the illustrated page.

2. IF YOU KNOW THE PART NUMBER

- Use the INDEX OF MAJOR COMPONENTS to find the page(s) the part number appears on.
- Turn to the page number indicated and locate the part number in the parts list. Refer to the accompanying description for specific information regarding the part.
- From the parts list, obtain the item number assigned to it and confirm that the part selected is correct by verifying it with the pictorial representation on the illustrated page.

Should an asterisk (*) appear in the part number column on the parts list page, read upwards until a part number is found. The part number is the lowest assembly sold by Service Parts. The asterisk (*) indicates that the part depicted is not available for purchase.

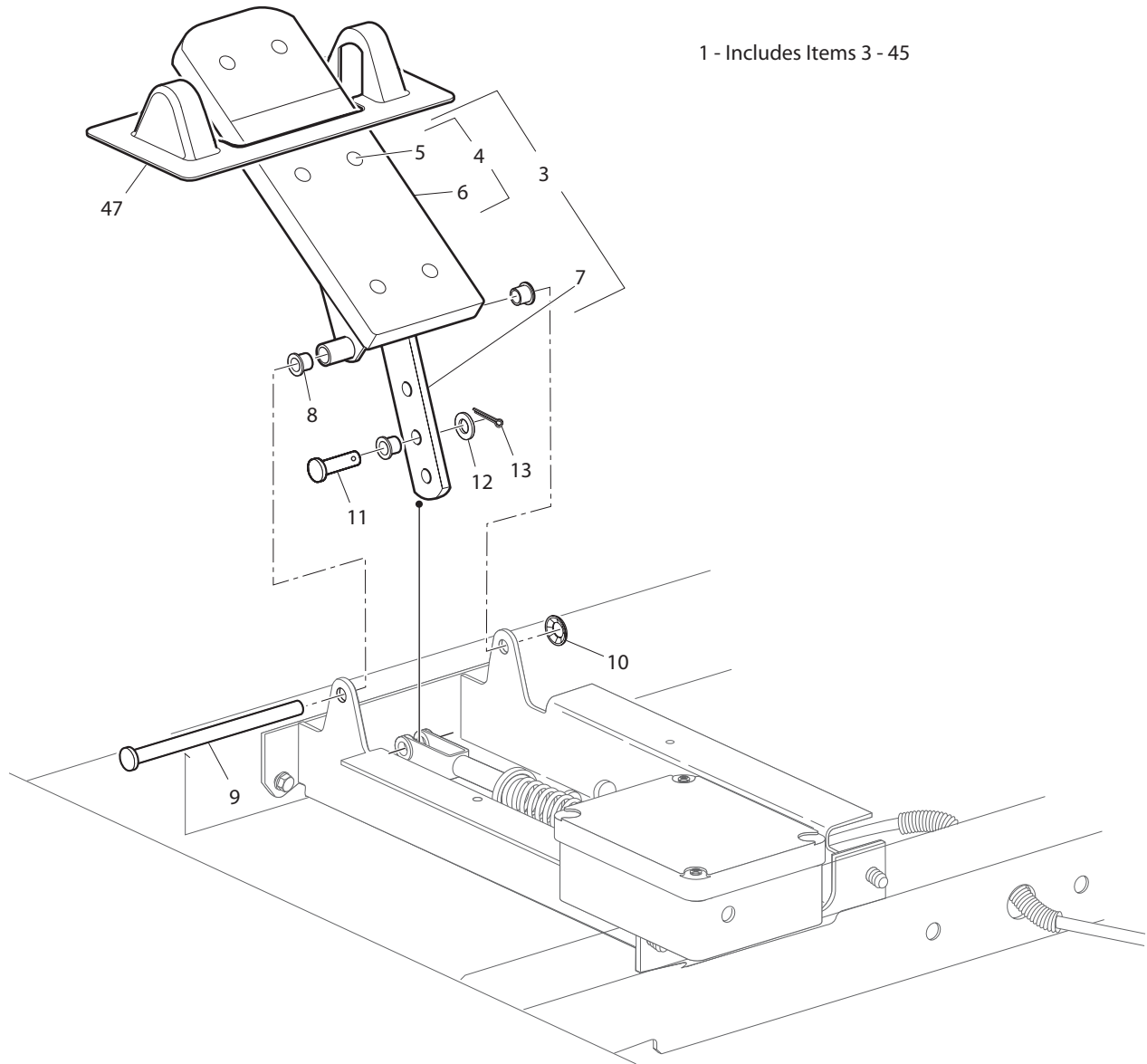
NOTE: Descriptions are indented under the assembly that they are used on. That assembly is, in turn listed under the assembly that it is used on. This process is repeated until the highest final assembly is reached.

To facilitate the maintenance and repair of the vehicle, a Technician's Repair and Service Manual is available from the Service Parts Department.

ILLUSTRATED PARTS BREAKDOWN

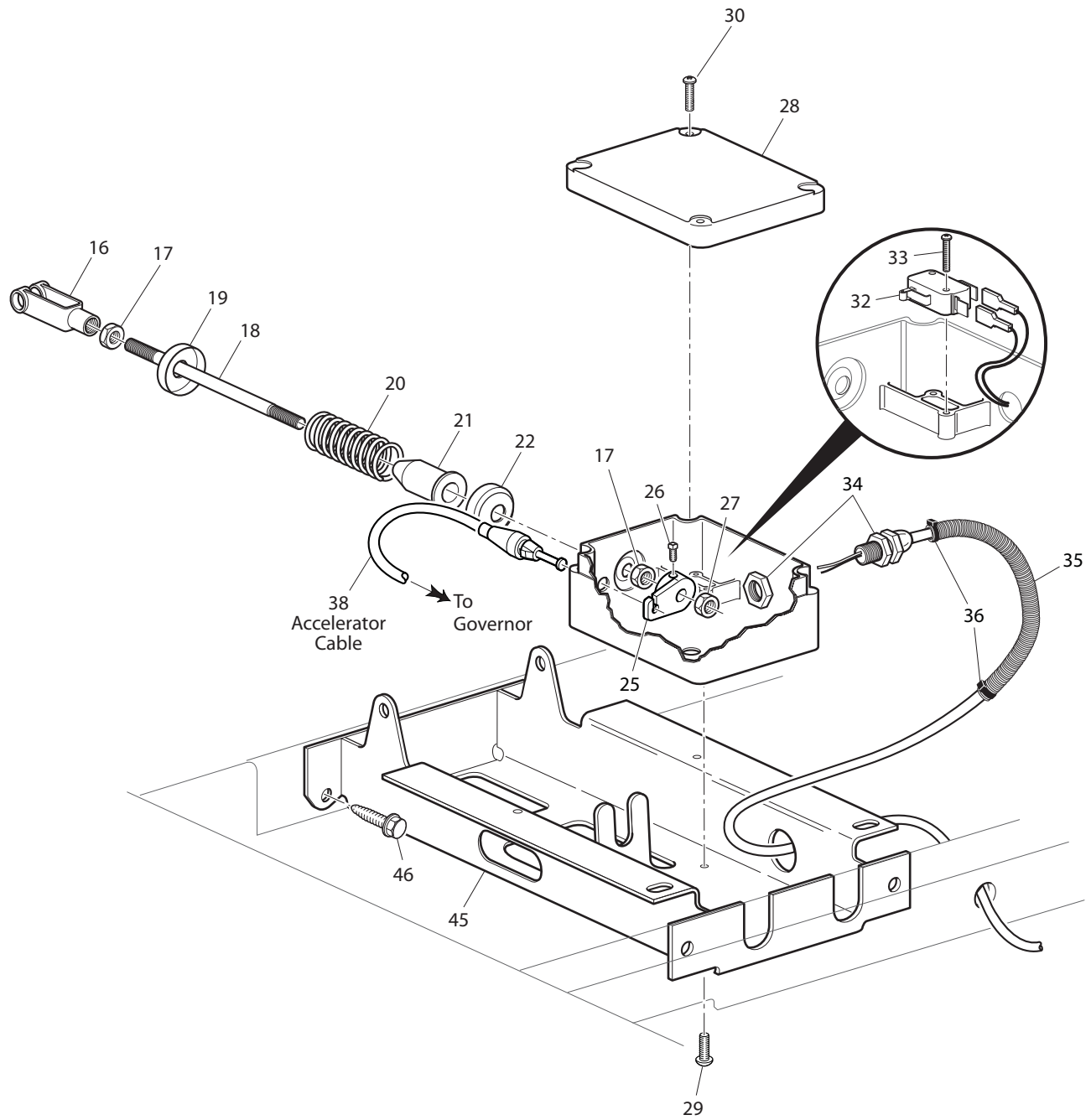
ILLUSTRATED PARTS BREAKDOWN

ACCELERATOR



Ref Acl 6-1

ACCELERATOR



Ref Acc 21-2

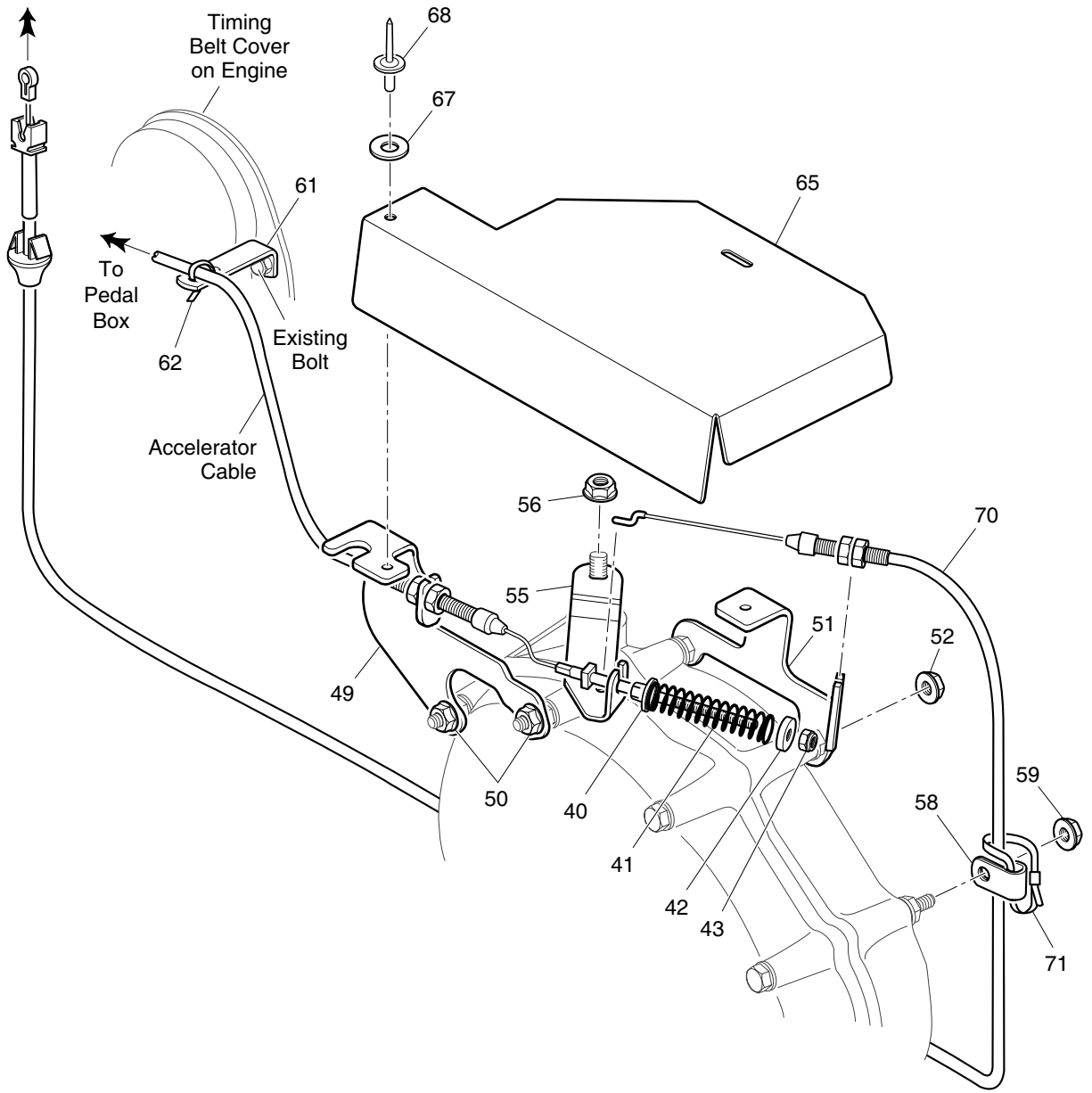
ACCELERATOR

To
Carburetor

Timing
Belt Cover
on Engine

To
Pedal
Box

Accelerator
Cable



Ref Acl 6-3

ACCELERATOR

When ordering parts, please specify the model and serial number of the product.

* Indicates a component that is not available as an individual part.

G** Indicates consult Customer Service Department for additional information.

ITEM	PART NO.	1 2 3 4 5	DESCRIPTION	QTY.
1	72717-G05		PEDAL BOX ASSEMBLY (INCLUDES ITEMS 3 - 45)	1
2				
3	25799-G03		ACCELERATOR PEDAL ASSEMBLY (INCLUDES ITEMS 4 - 7).....	1
4	27844-G01		ACCELERATOR PEDAL PAD KIT (INCLUDES ITEMS 5 - 6).....	1
5	15766-G1		OVAL RIVET, 3/16" X 3/8" LG.....	6
6	27512-G01		ACCELERATOR PEDAL PAD	1
7	*		ACCELERATOR PEDAL	1
8	17838-G1		NYLON BUSHING	3
9	74432-G01		PEDAL PIVOT PIN	1
10	12064-G6		PUSH NUT, 9/32".....	1
11	10386-G3		CLEVIS PIN, 5/16" X 1" LG	1
12	17255-G1		TEFLON WASHER, 5/16".....	1
13	10387-G3		COTTER PIN, 3/32" X 3/4" LG	1
14				
15				
16	10385-G4		CLEVIS YOKE (ADJUSTABLE).....	1
17	00532-G4		LOCK NUT, 5/16 - 24.....	2
18	72072-G01		ACCELERATOR ROD	1
19	17677-G2		SPRING RETAINER	1
20	73046-G01		COMPRESSION SPRING	1
21	17979-G1		ACCELERATOR ROD BUSHING	1
22	17677-G1		SPRING RETAINER	1
23				
24				
25	72716-G01		MICRO SWITCH CAM.....	1
26	00487-G3		SETSCREW, 1/4 - 20 X 3/8" LG.	1
27	15126-G1		LOCK NUT, 5/16 - 24.....	1
28	25853-G03		PEDAL BOX AND COVER	1
29	01051-G01		SCREW, #8 - 16 X 1/2" LG.	4
30	00684-G6		SCREW, #8 - 32 X 3/4" LG.	2

ACCELERATOR

When ordering parts, please specify the model and serial number of the product.

* Indicates a component that is not available as an individual part.

G** Indicates consult Customer Service Department for additional information.

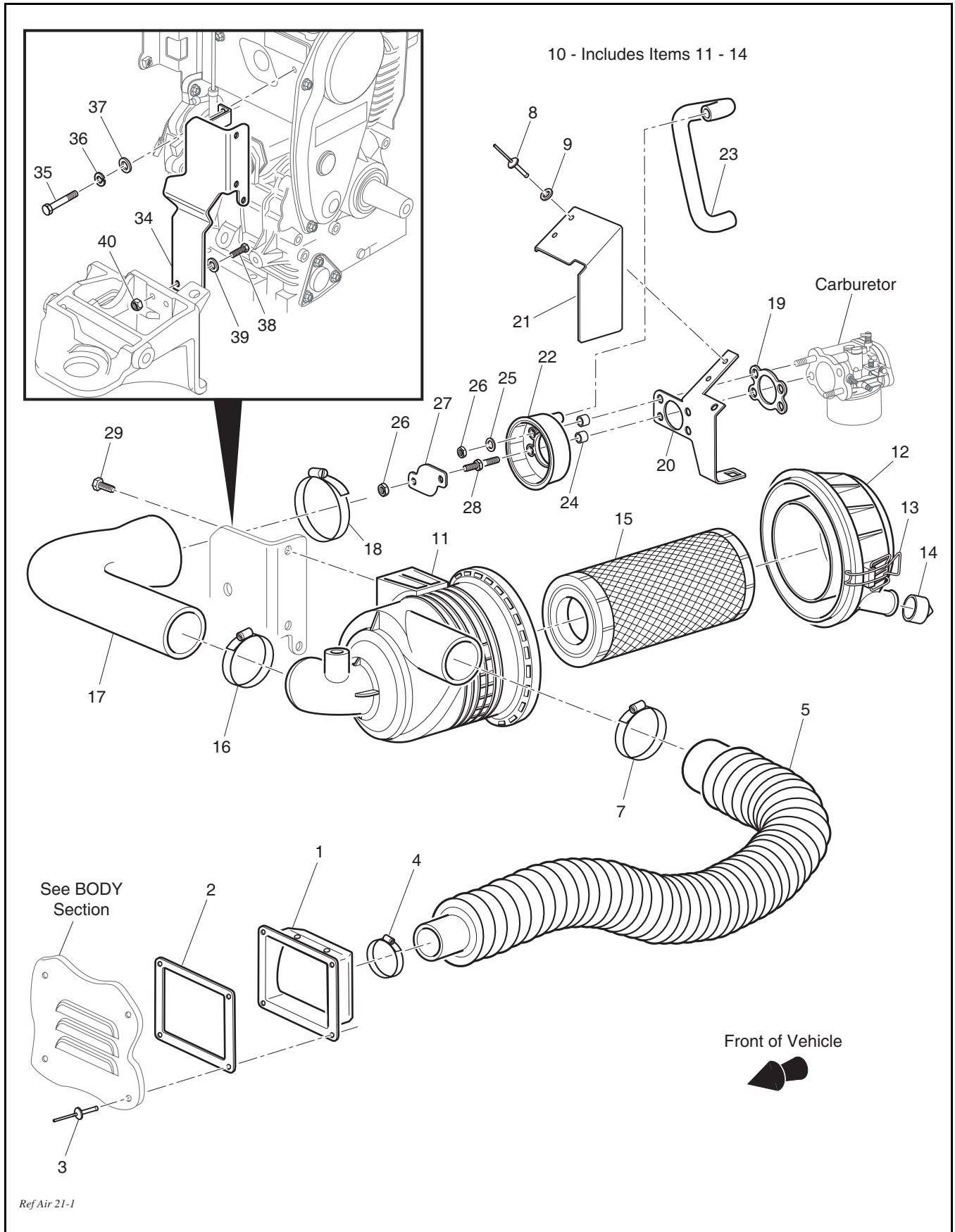
ITEM	PART NO.	1	2	3	4	5	DESCRIPTION	QTY.
31								
32	25861-G01						MICRO SWITCH.....	1
33	01050-G01						SCREW, #4 - 20 X 5/8" LG	2
34	72201-G04						WIRE HARNESS (PEDAL BOX)	1
35	17313-G1						LOOM FLEX (BULK).....	AR
36	17618-G1						WIRE TIE	2
37								
38	72713-G02						ACCELERATOR CABLE	1
39								
40	72706-G01						ACCELERATOR CABLE BUSHING	1
41	72707-G01						COMPRESSION SPRING	1
42	25727-G02						CUP WASHER.....	1
43	00734-G5						LOCK NUT, #10 - 32.....	1
44								
45	70116-G02						ACCELERATOR PEDAL BRACKET.....	1
46	00715-G2						BOLT, 5/16 - 18 X 13/16" LG	4
47	70135-G01						PEDAL PIVOT COVER.....	1
48								
49	72701-G02						ACCELERATOR CABLE MOUNTING BRACKET	1
50	26830-G01						LOCK NUT, M8 X 1.25 MM	2
51	72703-G02						THROTTLE CABLE MOUNTING BRACKET	1
52	26830-G02						LOCK NUT, M8 X 1.25 MM	2
53								
54								
55	72708-G01						GOVERNOR ARM	1
56	26830-G01						LOCK NUT, M8 X 1.25 MM	1
57								
58	11845-G3						CLAMP	1
59	26830-G01						LOCK NUT, M8 X 1.25 MM	1
60								

ACCELERATOR

When ordering parts, please specify the model and serial number of the product.
 * Indicates a component that is not available as an individual part.
 G** Indicates consult Customer Service Department for additional information.

ITEM	PART NO.	1 2 3 4 5	DESCRIPTION	QTY.
61	72055-G01		ACCELERATOR CABLE BRACKET	1
62	17618-G1		WIRE TIE	1
63				
64				
65	72705-G02		GOVERNOR COVER	1
66				
67	00915-G1		BONDED WASHER, 1/4"	2
68	14601-G11		RIVET, 3/16" X 9/16" LG	2
69				
70	72714-G01		THROTTLE CABLE.....	1
71	17618-G1		WIRE TIE	1

AIR FILTER



AIR FILTER

Where applicable, THE USE OF NON UL PARTS WILL VOID ANY UL LISTING.

When ordering parts, please specify the model and serial number of the product.

* Indicates a component that is not available as an individual part.

G** Indicates consult Customer Service Department for additional information.

ITEM	PART NO.	1 2 3 4 5	DESCRIPTION	QTY.
1	72416-G01		INLET ADAPTER	1
2	72415-G01		GASKET	1
3	71055-G01		RIVET, 3/16" X 3/8" LG	4
4	11391-G2		CLAMP	1
5	72637-G02		HOSE (CONVOLUTED).....	1
6				
7	11391-G1		HOSE CLAMP	1
8	14601-G11		RIVET, 3/16" X 9/16" LG	2
9	00915-G1		WASHER, #14 ID	2
10	72607-G01		AIR CLEANER CANISTER ASSEMBLY (INCLUDES ITEMS 11 - 14).....	1
11	72598-G01		AIR CLEANER CANISTER.....	1
12	72599-G01		AIR CLEANER COVER	1
13	72604-G01		AIR CLEANER LATCH	2
14	28462-G01		AIR CLEANER DUST COLLECTOR	1
15	28463-G01		AIR CLEANER ELEMENT	1
16	11391-G7		HOSE CLAMP	1
17	72592-G01		HOSE (AIR FILTER TO CARBURETOR).....	1
18	11391-G6		HOSE CLAMP	1
19	26727-G01		CARBURETOR GASKET	2
20	74498-G02		CHOKE / THROTTLE BRACKET.....	1
21	74499-G02		CHOKE THROTTLE COVER	1
22	72591-G01		CARBURETOR ADAPTER	1
23	72151-G01		PCV HOSE	1
24	23726-G11		CARBURETOR MOUNTING SPACER	4
25	00664-G7		WASHER, 1/4"	2
26	13632-G1		NUT, M6 X 1	4
27	72605-G01		CARBURETOR BAFFLE.....	1
28	72514-G01		STUD.....	2
29	25532-G1		BOLT, M8 X 1.25 X 20 MM.....	2
30				

AIR FILTER

Where applicable, THE USE OF NON UL PARTS WILL VOID ANY UL LISTING.

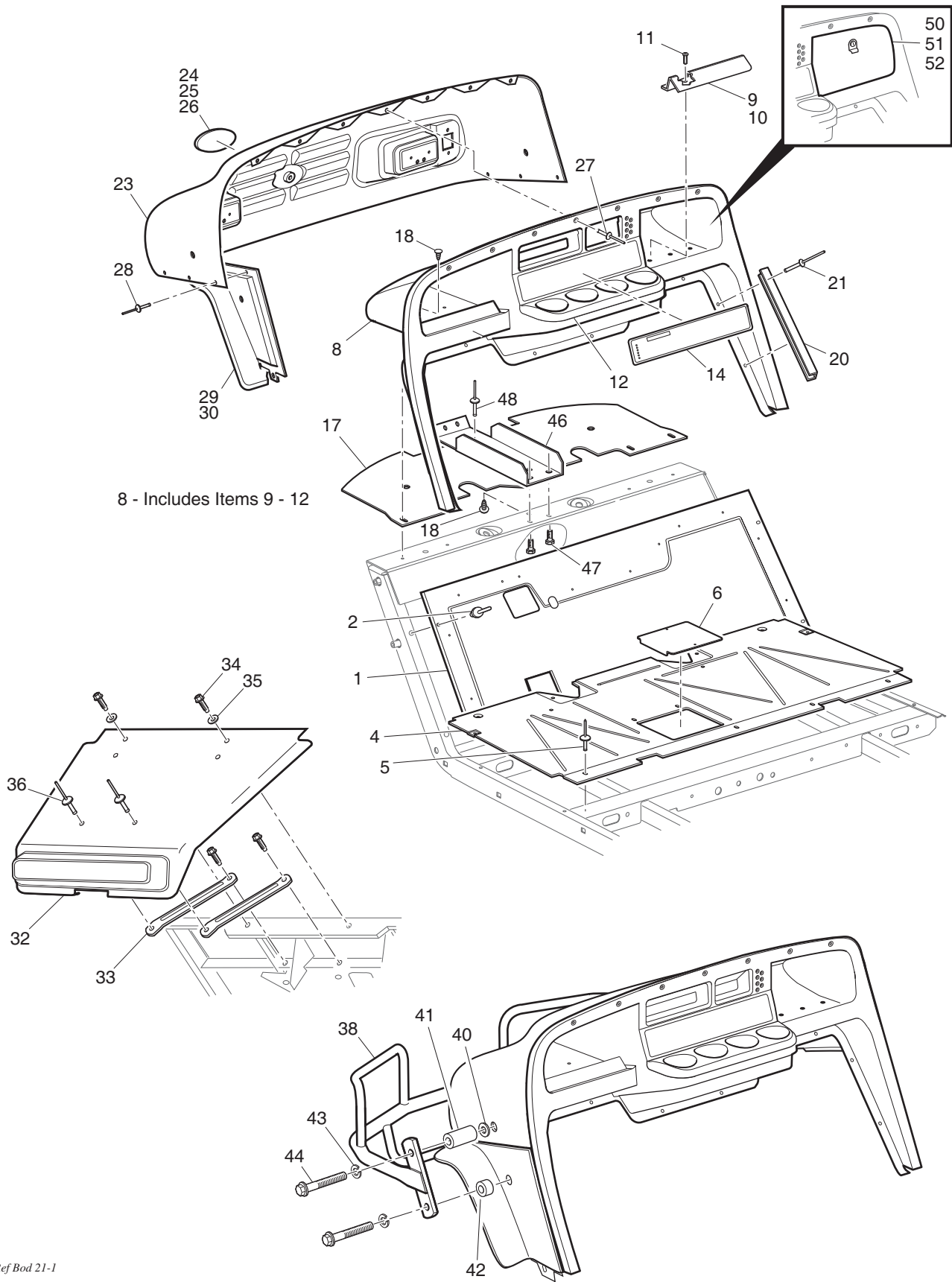
When ordering parts, please specify the model and serial number of the product.

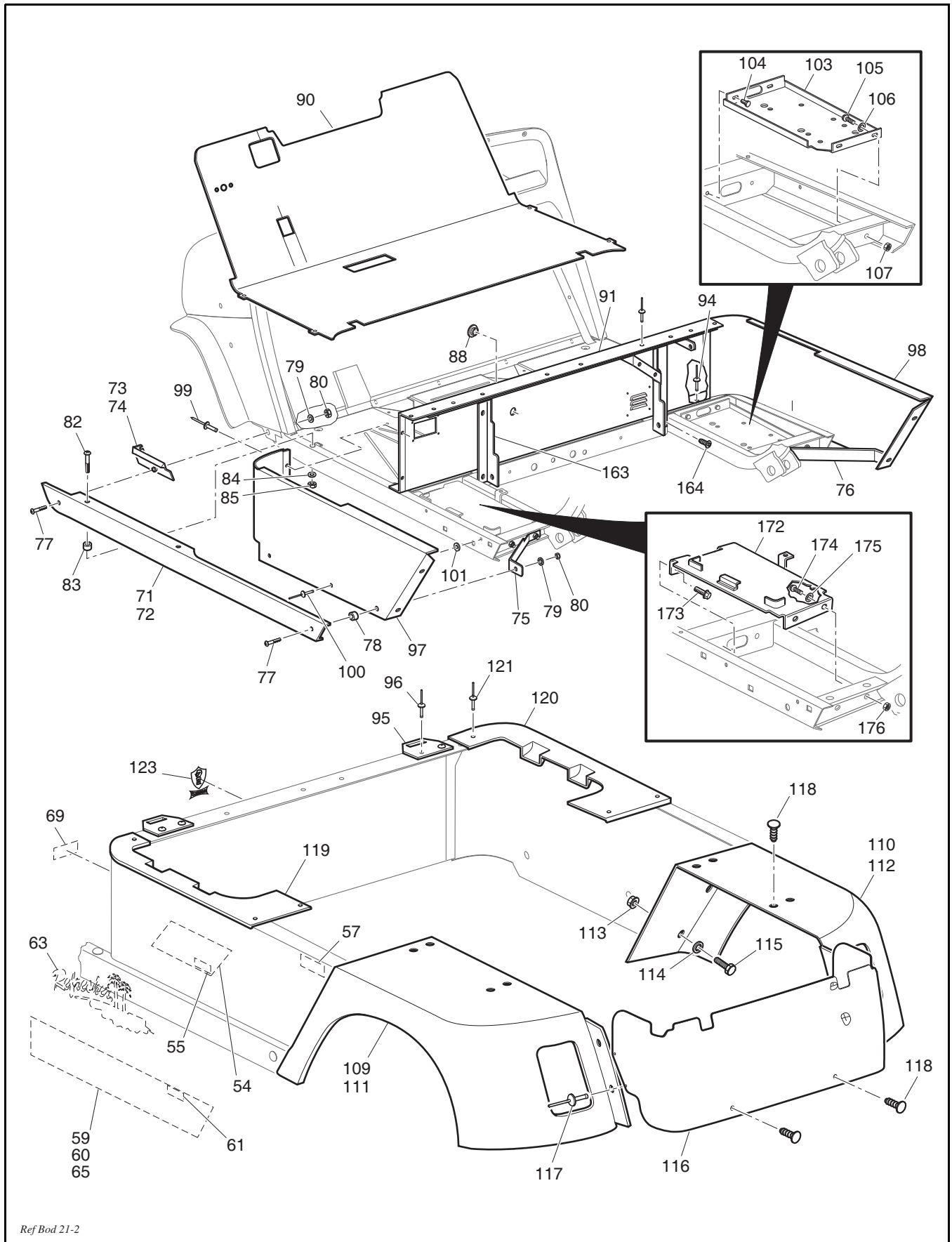
* Indicates a component that is not available as an individual part.

G** Indicates consult Customer Service Department for additional information.

ITEM	PART NO.	1	2	3	4	5	DESCRIPTION	QTY.
31								
32								
33								
34	75878-G02						AIR FILTER BRACKET (CABLE ACTUATED CARBURETOR).....	1
35	12547-G3						BOLT, M6 X 1MM X 20MM LG	1
36	00664-G7						LOCK WASHER, 1/4"	1
37	00559-G7						WASHER, 1/4"	1
38	00415-G2						BOLT, 1/4 - 20 X 1 1/4" LG	2
39	00559-G7						WASHER, 1/4"	2
40	14390-G4						LOCK NUT, 1/4 - 20	2

BODY



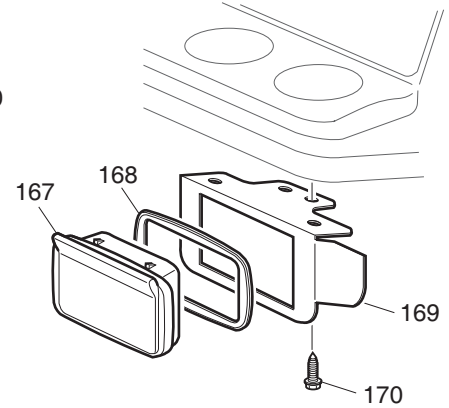


Ref Bod 21-2

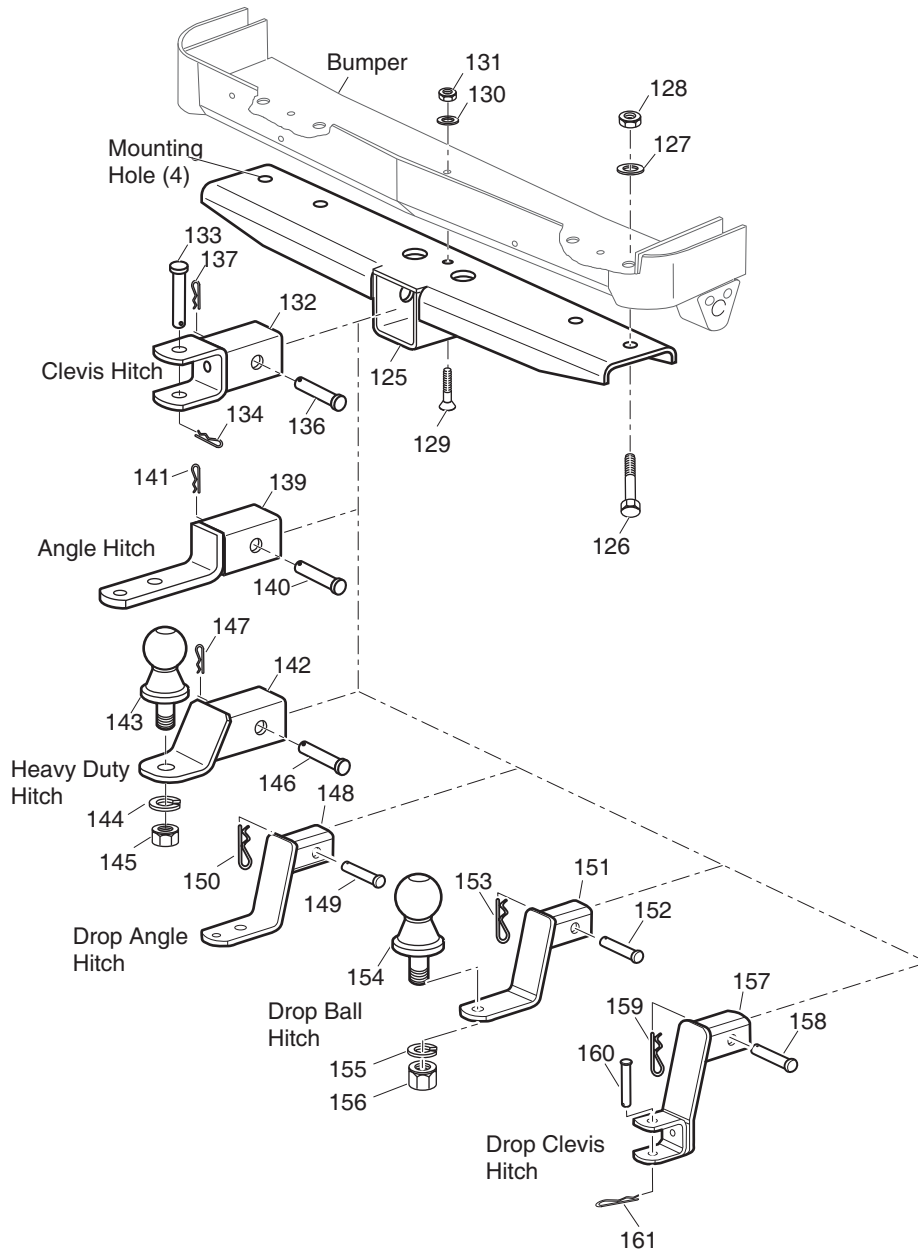
BODY

ASH TRAY

166 - Includes Items 167 - 170



HITCHES



Ref Bod 21-3

Where applicable, THE USE OF NON UL PARTS WILL VOID ANY UL LISTING.

When ordering parts, please specify the model and serial number of the product.

* Indicates a component that is not available as an individual part.

G** Indicates consult Customer Service Department for additional information.

ITEM	PART NO.	1 2 3 4 5	DESCRIPTION	QTY.
1	70662-G01		UPPER FLOORPAN (AXLE MOUNTED STEERING)	1
2	14601-G11		RIVET, 3/16" X 9/16" LG	9
3				
4	70451-G01		LOWER FLOORPAN.....	1
5	14601-G11		RIVET, 3/16" X 9/16" LG	7
6	70452-G01		ACCESS COVER.....	1
7				
8	71151-G03		INSTRUMENT PANEL ASSEMBLY (INCLUDES ITEMS 9 - 12)	1
9	71153-G01		DEFLECTOR (PASSENGER SIDE)	1
10	71154-G01		DEFLECTOR (DRIVER SIDE).....	1
11	00614-G5		SCREW, #8 - 18 X 5/8" LG	6
12	71158-G01		INSTRUMENT PANEL INSERT (FOUR CUP).....	1
13				
14	35964-G01		LABEL (SAFETY) (PICTOGRAPH).....	1
15				
16				
17	71413-G01		SPLASH PANEL.....	1
18	16816-G2		RATCHET FASTENER, 1/4" X 3/4" LG	5
19				
20	71115-G01		VINYL TRIM	2
21	71055-G01		RIVET, 3/16" X 1" LG	10
22				
23	606534-G**		COWL (LX/SE)	1
			606534G002....ST COWL SPECIAL COLOR	
			606534G005....ST COWL FRONT JAC ORANGE	
			606534G006....ST COWL FRONT LIGHT GOLD PEARL	
			606534G007....ST COWL SILVER PEARL METAL	
			606534G011....ST COWL BLACK PAINT	
			606534G012....ST COWL EMERALD GREEN PEARL	
			606534G013....ST COWL CLOUD GREY	
			606534G014....ST COWL VIPER BLUE METAL	
			606534G019....ST COWL PATRIOT BLUE PEARL	
			606534G020....ST COWL INFERNO RED METAL	
			606534G023....ST COWL ADV CLASSICE CAMO	

BODY

Where applicable, THE USE OF NON UL PARTS WILL VOID ANY UL LISTING.
 When ordering parts, please specify the model and serial number of the product.
 * Indicates a component that is not available as an individual part.
 G** Indicates consult Customer Service Department for additional information.

ITEM	PART NO.	1 2 3 4 5	DESCRIPTION	QTY.
			606534G024....ST COWL FRONT NATURAL 606534G025....ST COWL FRONT NEW HOLLAND BLUE 606534G026....ST COWL FRONT STEEL BLUE PEARL 606534G027....ST COWL BRIGHT SILVER METAL 606534G029....ST COWL PRIME 606534G030....ST COWL HD ADV CAMO 606534G031....ST COWL FRONT METALLIC CHARCOAL 606534G033....ST COWL TIMERLINE GREEN 606534G034....ST COWL DEEP MOLTEN RED 606534G035....ST COWL SAFETY YELLOW 606534G036....ST COWL CAMPAGNE BEIGE TEXT 606534G037....ST COWL HUNTER GREEN 606534G038....ST COWL BRIGHT WHITE 606534G039....ST COWL FLAME RED 606534G040....ST COWL BLACK 606534G041....ST COWL ELECTRIC BLUE 606534G042....ST COWL PLATINUM 606534G043....ST COWL BURGUNDY ON CH BG 606534G044....ST COWL ALMOND 606534G046....ST COWL BURGANDY ON BLACK 606534G047....ST COWL BURLINGTON GREEN 606534G048....ST COWL BLACK ON CHAM BEIGE 606534G049....ST COWL RED ON CHAM BEIGE	
24	74813-G01		NAMEPLATE (E-Z-GO) (OVAL)	1
25	28907-G01		NAMEPLATE (JACOBSEN) (OVAL)	1
26	74401-G01		NAMEPLATE (CUSHMAN) (OVAL).....	1
27	71055-G01		RIVET, 3/16" X 1" LG	9
28	71055-G01		RIVET, 3/16" X 1" LG	6
29	71338-G01		FENDER FLARE (DRIVER SIDE).....	1
30	71338-G02		FENDER FLARE (PASSENGER SIDE)	1
31				
32	27166-G04		FRONT SHIELD	1
33	70725-G02		FRONT SHIELD BRACE.....	2
34	01038-G01		SCREW, 1/4 - 20 X 1/2" LG.....	4
35	16469-G1		WASHER, 1/4"	2
36	01057-G01		RIVET, KTR, 1/4" X 1" LG	2
37				
38	74265-G02		BUMPER	1

Where applicable, THE USE OF NON UL PARTS WILL VOID ANY UL LISTING.

When ordering parts, please specify the model and serial number of the product.

* Indicates a component that is not available as an individual part.

G** Indicates consult Customer Service Department for additional information.

ITEM	PART NO.	1 2 3 4 5	DESCRIPTION	QTY.
39				
40	00570-G2		WASHER, 5/16"	2
41	75048-G04		SPACER, 1".....	2
42	75048-G01		SPACER, 1/2".....	2
43	00905-G8		LOCK WASHER, 5/16".....	4
44	01035-G02		BOLT, 5/16 - 18 X 2 1/2" LG	4
45				
46	71101-G01		COWL SUPPORT BRACKET	1
47	71102-G02		SELF TAPPING SCREW, 1/4 - 20 X 1/2" LG	3
48	71055-G01		RIVET, 3/16" X 1 1/8" LG	1
49				
50	75459-G01		GLOVE BOX DOORS (BOTH SIDES)	1
51	75459-G02		GLOVE BOX DOOR (DRIVER SIDE)	1
52	75459-G03		GLOVE BOX DOOR (PASSENGER SIDE).....	1
53				
54	600823		LABEL (MPT™).....	2
55	600817		LABEL (1200).....	2
56				
57	74099-G01		LABEL, TILT WARNING PICTOGRAPH	2
58				
59	28915-G01		LABEL (JACOBSEN HAULER™) (DRIVER SIDE).....	1
60	28915-G02		LABEL (JACOBSEN HAULER™) (PASSENGER SIDE)	1
61	74099-G01		LABEL (1200).....	2
62				
63	75743-G01		LABEL (REFRESHER).....	2
64				
65	600811		LABEL (CUSHMAN COMMANDER™) (DRIVER SIDE).....	2
66				
67				
68				

BODY

Where applicable, THE USE OF NON UL PARTS WILL VOID ANY UL LISTING.

When ordering parts, please specify the model and serial number of the product.

* Indicates a component that is not available as an individual part.

G** Indicates consult Customer Service Department for additional information.

ITEM	PART NO.	1 2 3 4 5	DESCRIPTION	QTY.
69	*		SERIAL NUMBER PLATE	1
70				
71	71439-G03		ROCKER PANEL (DRIVER SIDE)	1
72	71439-G04		ROCKER PANEL (PASSENGER SIDE).....	1
73	71424-G01		FENDER SPACER (DRIVER SIDE).....	1
74	71424-G02		FENDER SPACER (PASSENGER SIDE)	1
75	71440-G03		BRACE (DRIVER SIDE).....	1
76	71440-G04		BRACE (PASSENGER SIDE)	1
77	00789-G2		SCREW, #10 - 24 X 1 1/4" LG.....	4
78	23726-G2		SPACER, 1/4"	2
79	00660-G5		WASHER, #10.....	4
80	14390-G10		LOCK NUT, #10 - 24	4
81				
82	16705-G1		SCREW, 1/4 - 20 X 1" LG.....	4
83	23726-G2		SPACER, 1/4"	4
84	00559-G7		WASHER, 1/4"	4
85	14390-G4		LOCK NUT, 1/4 - 20	4
86				
87				
88	20271-G9		HOLE PLUG, 1/2"	1
89				
90	70663-G04		FLOORMAT (AXLE MOUNTED STEERING).....	1
91	71977-G**		SEAT SUPPORT PANEL (W/DRIVER SIDE LOUVERS)	1
92				
93				
94	10570-G10		RIVET, 5/32" X 9/16" LG	8
95	71609-G01		SEAT HINGE PLATE	2
96	10570-G11		RIVET, 3/16" X 3/4" LG	4
97	71674-G01		SIDE PANEL (DRIVER SIDE)	1
98	71674-G02		SIDE PANEL (PASSENGER SIDE).....	1

Where applicable, THE USE OF NON UL PARTS WILL VOID ANY UL LISTING.

When ordering parts, please specify the model and serial number of the product.

* Indicates a component that is not available as an individual part.

G** Indicates consult Customer Service Department for additional information.

ITEM	PART NO.	1 2 3 4 5	DESCRIPTION	QTY.
99	10570-G10		RIVET, 5/32" X 9/16" LG	4
100	10570-G12		RIVET, 1/4" X 1/2" LG	4
101	16469-G7		WASHER, 1/4"	4
102				
103	70244-G03		SPLASH PANEL.....	1
104	00715-G2		BOLT, 5/16 - 18 X 13/16" LG	2
105	00438-G8		BOLT, 5/16 - 18 X 1" LG	2
106	00559-G8		WASHER, 5/16"	2
107	11098-G6		LOCK NUT, 5/16 - 18	2
108				
109	74893-G01		FENDER (DRIVER SIDE)	1
110	74893-G02		FENDER (PASSENGER SIDE).....	1
111	74893-G03		FENDER WITH TAILLIGHT (DRIVER SIDE)	1
112	74893-G04		FENDER WITH TAILLIGHT (PASSENGER SIDE).....	1
113	14390-G4		LOCK NUT, 1/4 - 20	4
114	00642-G7		WASHER, 1/4"	8
115	00414-G6		BOLT, 1/4 - 20 X 7/8" LG	4
116	74890-G01		REAR PANEL	1
117	71055-G01		RIVET, 3/16" X 1" LG	4
118	16816-G2		RATCHET FASTENER, 1/4" X 3/4" LG	10
119	74891-G01		SEAT FILLER PANEL (DRIVER SIDE)	1
120	74891-G02		SEAT FILLER PANEL (PASSENGER SIDE).....	1
121	10570-G10		RIVET, 5/32" X 9/16" LG	6
122				
123	74755-G01		LABEL (E-SHIELD™).....	1
124				
125	74348-G02		HITCH RECEIVER	1
126	00463-G4		BOLT, 7/16 - 14 X 1 1/2" LG	4
127	00922-G3		WASHER, 7/16"	4
128	00734-G1		LOCK NUT, 7/16 - 14	4

BODY

Where applicable, THE USE OF NON UL PARTS WILL VOID ANY UL LISTING.

When ordering parts, please specify the model and serial number of the product.

* Indicates a component that is not available as an individual part.

G** Indicates consult Customer Service Department for additional information.

ITEM	PART NO.	1 2 3 4 5	DESCRIPTION	QTY.
129	00198-G8		SCREW, 5/16 - 18 X 1" LG.....	1
130	00559-G8		WASHER, 5/16"	1
131	11098-G6		LOCK NUT, 5/16 - 18	1
132	74338-G02		CLEVIS HITCH.....	1
133	14443-G7		CLEVIS PIN, 1/2" X 2 1/2" LG	1
134	19314-G1		COTTER PIN, 2 1/2" LG.....	1
135				
136	21317-G01		CLEVIS PIN, 5/8" X 3" LG	1
137	21683-G1		COTTER PIN, 15/32" X 2 11/16" LG	1
138				
139	74339-G02		ANGLE HITCH	1
140	21317-G01		CLEVIS PIN, 5/8" X 3" LG	1
141	21683-G1		COTTER PIN, 15/32" X 2 11/16" LG	1
142	74351-G02		HEAVY DUTY HITCH.....	1
143	31757-G1		HITCH BALL, 1 7/8"	1
144	00566-G6		LOCK WASHER, 3/4"	1
145	00702-G11		NUT, 3/4 - 16	1
146	21317-G01		CLEVIS PIN, 5/8" X 3" LG	1
147	21683-G1		COTTER PIN, 15/32" X 2 11/16" LG	1
148	74489-G02		DROP ANGLE HITCH.....	1
149	21317-G01		CLEVIS PIN, 5/8" X 3" LG	1
150	21683-G1		COTTER PIN, 15/32" X 2 11/16" LG	1
151	74491-G02		DROP BALL HITCH	1
152	21317-G01		CLEVIS PIN, 5/8" X 3" LG	1
153	21683-G1		COTTER PIN, 15/32" X 2 11/16" LG	1
154	31757-G1		HITCH BALL, 1 7/8"	1
155	00566-G6		LOCK WASHER, 3/4"	1
156	00702-G11		NUT, 3/4 - 16	1
157	74495-G02		DROP CLEVIS HITCH	1
158	21317-G01		CLEVIS PIN, 5/8" X 3" LG	1

Where applicable, THE USE OF NON UL PARTS WILL VOID ANY UL LISTING.

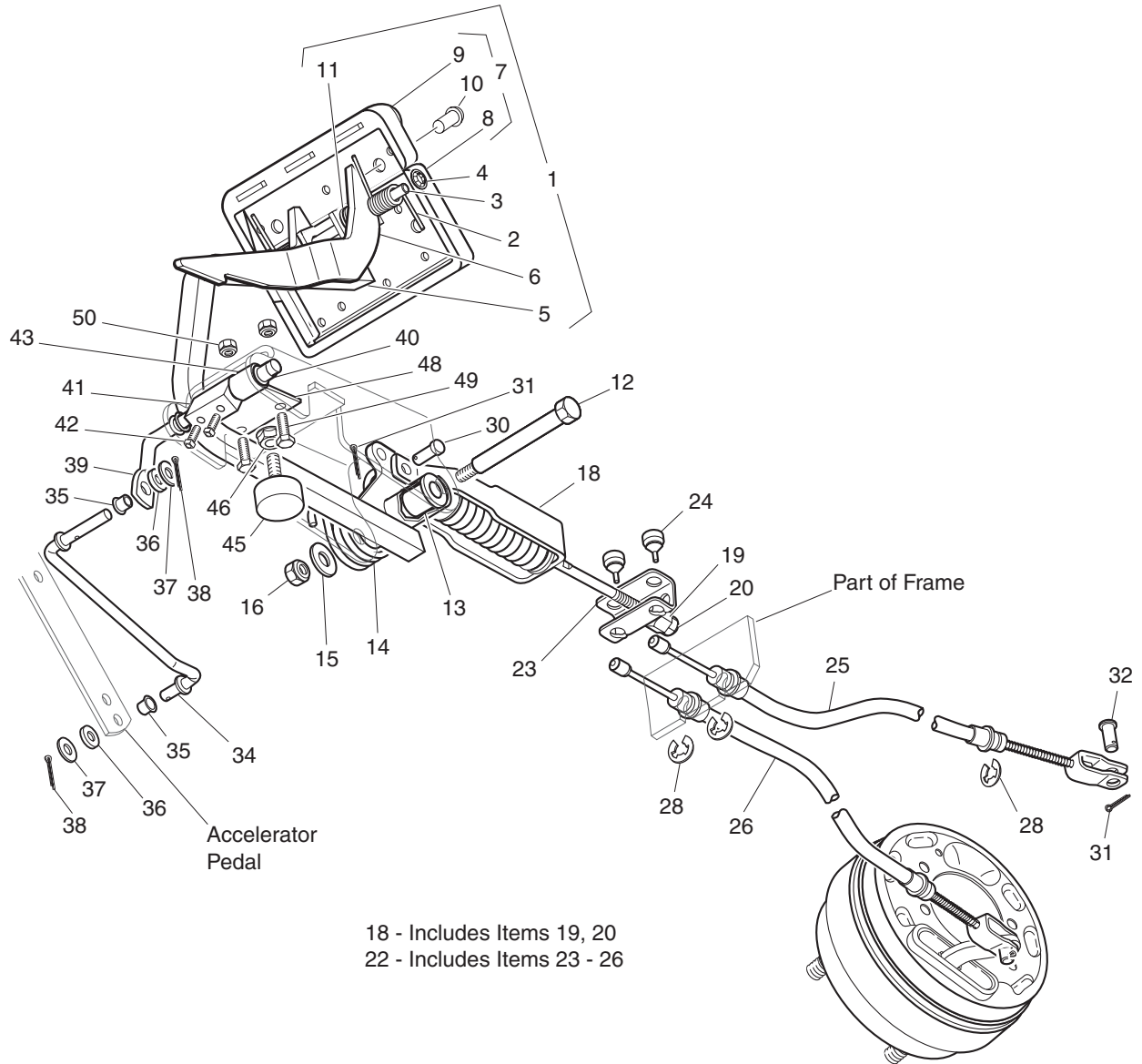
When ordering parts, please specify the model and serial number of the product.

* Indicates a component that is not available as an individual part.

G** Indicates consult Customer Service Department for additional information.

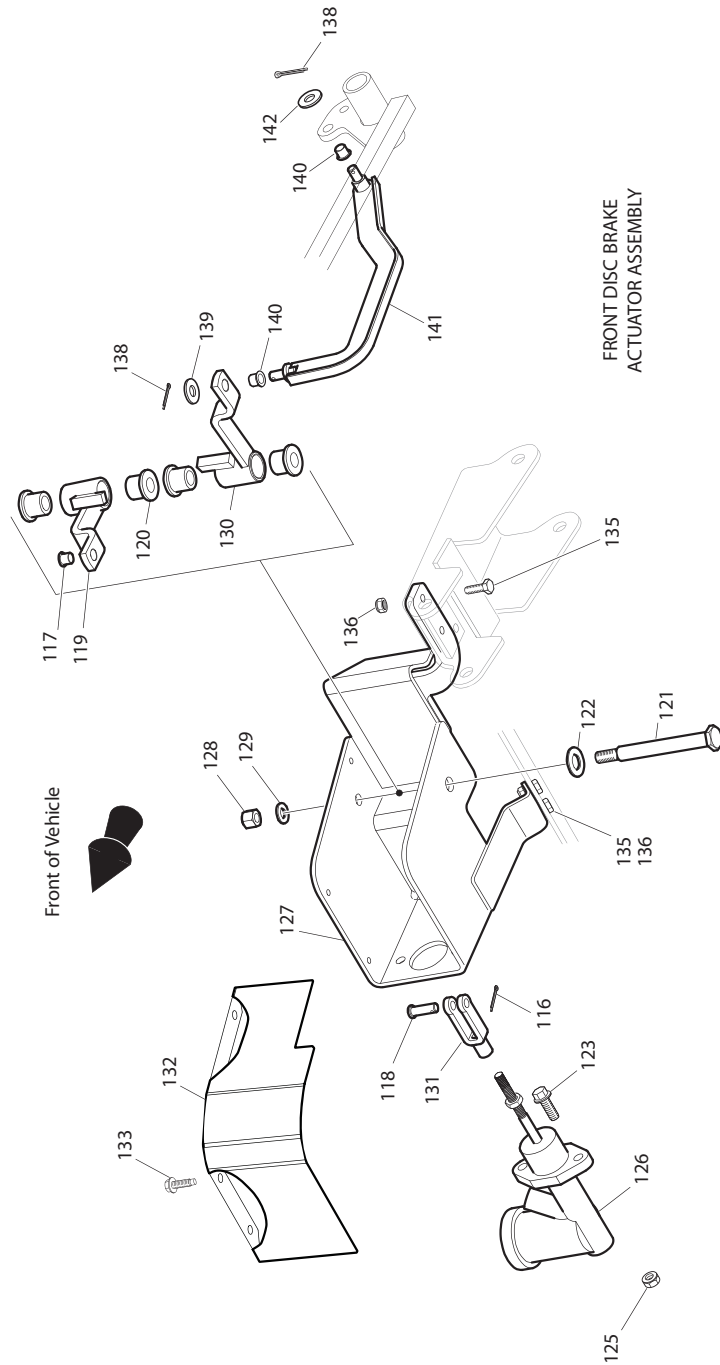
ITEM	PART NO.	1 2 3 4 5	DESCRIPTION	QTY.
159	21683-G1		COTTER PIN, 15/32" X 2 11/16" LG	1
160	14443-G7		CLEVIS PIN, 1/2" X 2 1/2" LG	1
161	19314-G1		COTTER PIN, 2 1/2" LG.....	1
162				
163	70440-G04		SEAT FRAME.....	1
164	00715-G2		SCREW, 3/8 - 16 X 1/4" LG.....	2
165				
166	75109-G04		ASH TRAY KIT (INCLUDES ITEMS 167 - 170)	1
167	27731-G01		ASH TRAY	1
168	27736-G01		GASKET	1
169	75108-G02		BRACKET	1
170	00100-G4		SCREW, #10 - 16 X 1/2" LG	4
171				
172	600496		BATTERY TRAY.....	1
173	00715-G2		BOLT, 5/16 - 18 X 13/16" LG	2
174	00438-G8		BOLT, 5/16 - 18 X 1" LG	2
175	00571-G2		WASHER, 5/16"	2
176	11098-G6		LOCK NUT, 5/16 - 18	2

BRAKES - FRONT DISC



Ref Brh 21-1

BRAKES - FRONT DISC



Ref Brh 21-4

BRAKES - FRONT DISC

THE USE OF NON U.L. PARTS WILL VOID ANY U.L. LISTING.

When ordering parts, please specify the model and serial number of the product.

* Indicates a component that is not available as an individual part.

G** Indicates consult Customer Service Department for additional information.

ITEM	PART NO.	1 2 3 4 5	DESCRIPTION	QTY.
1	74723-G01		BRAKE PEDAL ASSEMBLY (WITHOUT BRAKE LIGHTS) (INCLUDES ITEMS 2 - 11)	1
2	70681-G01		TORSION SPRING	2
3	70682-G01		PIVOT PIN	1
4	01071-G01		PUSHNUT, 5/16"	1
5	*		BRAKE PEDAL	1
6	74724-G01		PARK BRAKE PEDAL	1
7	70274-G01		BRAKE/PARK BRAKE PEDAL PAD KIT (INCLUDES ITEMS 8 - 10)	1
8	*		SERVICE BRAKE PAD	1
9	*		PARK BRAKE PEDAL PAD	1
10	15766-G1		OVAL RIVET, 3/16" X 15/32" LG	9
11	20835-G1		WASHER, TEFLON, 3/8"	2
12	70582-G01		SHOULDER BOLT, 3/8 - 16 X 4" LG	1
13	70581-G01		FLANGED BUSHING	2
14	70676-G01		TORSION SPRING	1
15	00643-G1		WASHER, 3/8"	1
16	11098-G5		LOCK NUT, 3/8 - 16	1
17				
18	70272-G04		COMPENSATOR ASSEMBLY (INCLUDES ITEMS 19, 20)	1
19	00963-G01		SPHERICAL NUT, 5/16 - 24	1
20	11098-G9		LOCK NUT, 5/16 - 24	1
21				
22	70969-G05		EQUALIZER AND BRAKE CABLE ASSEMBLY (INCLUDES ITEMS 23 - 26)....	1
23	28082-G01		EQUALIZER BRACKET	1
24	28083-G01		BRAKE COMPENSATOR BUMPER.....	2
25	*		BRAKE CABLE (DRIVER SIDE).....	1
26	*		BRAKE CABLE (PASSENGER SIDE)	1
27				
28	01111-G01		RETAINING RING, S.S.....	4
29				

BRAKES - FRONT DISC

THE USE OF NON U.L. PARTS WILL VOID ANY U.L. LISTING.
 When ordering parts, please specify the model and serial number of the product.
 * Indicates a component that is not available as an individual part.
 G** Indicates consult Customer Service Department for additional information.

ITEM	PART NO.	1 2 3 4 5	DESCRIPTION	QTY.
30	10386-G3		CLEVIS PIN, 5/16" X 1" LG	3
31	10387-G3		COTTER PIN, 3/32" X 3/4" LG	3
32	10386-G3		CLEVIS PIN, 5/16" X 3/4" LG	2
33				
34	70601-G01		KICK-OFF LINK.....	1
35	17838-G1		NYLON BUSHING.....	2
36	20835-G1		TEFLON WASHER, 3/8"	2
37	00559-G8		WASHER, 5/16"	2
38	10387-G3		COTTER PIN, 3/32" X 3/4" LG	2
39	70098-G01		KICK-OFF CAM PIVOT.....	1
40	10097-G6		FLANGED BEARING	2
41	70587-G01		KICK-OFF CAM.....	1
42	71215-G01		SETSCREW, 1/4 - 20 X 1/2" LG.....	2
43	14134-G4		SPACER.....	1
44				
45	70113-G01		ADJUSTABLE BUMPER.....	1
46	11027-G1		LOCK NUT, 5/16 - 18	1
47				
48	70080-G02		CATCH BRACKET	1
49	00141-G8		BOLT, 1/4 - 20 X 3/4" LG	2
50	00891-G2		LOCK NUT, 1/4 - 20	2
51				
52				
53	74874-G01		BRAKE PEDAL ASSEMBLY (WITH BRAKE LIGHTS) (INCLUDES ITEMS 54 - 80).....	1
54	*		BRAKE PEDAL.....	1
55	74724-G01		PARK BRAKE PEDAL	1
56	70274-G01		BRAKE/PARK BRAKE PEDAL PAD KIT (INCLUDES ITEMS 57 - 59).....	1
57	*		SERVICE BRAKE PAD	1
58	*		PARK BRAKE PAD.....	1

BRAKES - FRONT DISC

THE USE OF NON U.L. PARTS WILL VOID ANY U.L. LISTING.

When ordering parts, please specify the model and serial number of the product.

* Indicates a component that is not available as an individual part.

G** Indicates consult Customer Service Department for additional information.

ITEM	PART NO.	1	2	3	4	5	DESCRIPTION	QTY.
59	15766-G1						OVAL RIVET, 3/16" X 15/32" LG	9
60								
61	70258-G03						BRAKE PEDAL PLATE	1
62	70682-G01						PIVOT PIN	1
63	70681-G01						TORSION SPRING	2
64	01071-G01						PUSHNUT, 5/16"	1
65	00737-G8						SCREW, #10 - 24 X 1" LG	4
66	00739-G1						RUBBER NUT, #10 - 24.....	2
67	74535-G01						BRAKE PEDAL STANDOFF.....	2
68	27137-G01						CONICAL SPRING	2
69	14390-G10						LOCK NUT, #10 - 24.....	2
70	10606-G8						MICRO SWITCH.....	1
71	00957-G1						SCREW, #6 - 32 X 1 1/4" LG	2
72	00559-G5						WASHER, #10	2
73	00559-G3						WASHER, #6	4
74	00565-G3						LOCK WASHER, #6	2
75	00525-G5						NUT, #6 - 32.....	2
76	13514-G1						SCREW AND LOCK WASHER, #6.....	2
77	20835-G1						WASHER, TEFLON, 3/8"	2
78	14628-G1						FASTON TAB.....	2
79	24605-G1						WIRE HARNESS (BRAKE LIGHT).....	1
80	17618-G1						WIRE TIE	3
81								
82	74731-G02						SPRING PLATE (PASSENGER SIDE)	1
83	74731-G01						SPRING PLATE (DRIVER SIDE).....	1
84	74730-G01						FOUR LINK ROD.....	2
85	01084-G01						LOCK NUT, M10-1.25	4
86	74736-G01						BRAKE LINE.....	1
87	01038-G01						SCREW, 1/4 - 20 X 11/16" LG	1
88	74875-G01						WIRE RETAINER.....	2

BRAKES - FRONT DISC

THE USE OF NON U.L. PARTS WILL VOID ANY U.L. LISTING.
 When ordering parts, please specify the model and serial number of the product.
 * Indicates a component that is not available as an individual part.
 G** Indicates consult Customer Service Department for additional information.

ITEM	PART NO.	1 2 3 4 5	DESCRIPTION	QTY.
89				
90	602281		SPINDLE, CALIPER AND DISC HUB ASSEMBLY (DRIVER SIDE) (INCLUDES ITEMS 91 - 103).....	1
91	602176		DISC BRAKE SPINDLE (DRIVER SIDE)	1
92				
93	12093-G1		SLOTTED NUT	1
94	74864-G01		DRIVE FLANGE STUD.....	4
95	11750-G2		ROLLER BEARING	2
96	51141-G1		BEARING RACE.....	2
97	74673-G01		DISC BRAKE HUB.....	1
98	70648-G01		FLANGED BEARING.....	1
99	00566-G1		WASHER, 3/8"	2
100	00426-G8		BOLT, 3/8 - 16 X 1	2
101	70749-G01		BEARING.....	1
102	00798-G8		COTTER PIN	1
103	25146-G1		GREASE SEAL.....	1
104	74733-G02		CALIPER (DRIVER SIDE).....	1
105	602288		SPINDLE, CALIPER AND DISC HUB ASSEMBLY (PASSENGER SIDE) (INCLUDES ITEMS 93 - 103, 106, 107).....	1
106	602158		DISC BRAKE SPINDLE (PASSENGER SIDE).....	1
107				
108				
109	70745-G01		KINGPIN TUBE	2
110	70754-G01		THRUST WASHER	2
111	00560-G3		WASHER, 1/2"	4
112	14390-G6		LOCKNUT, 1/2 - 13	2
113	00407-G6		CAPSCREW, 1/2 - 13 X 6" LG	2
114	74733-G01		CALIPER (PASSENGER SIDE)	1
115	74702-G01		FRONT DISC BRAKE BRAKE ACTUATOR ASSEMBLY (INCLUDES ITEMS 116 - 133).....	1
116	10387-G3		COTTER PIN, 3/32 X 3/4" LG.....	1

BRAKES - FRONT DISC

THE USE OF NON U.L. PARTS WILL VOID ANY U.L. LISTING.

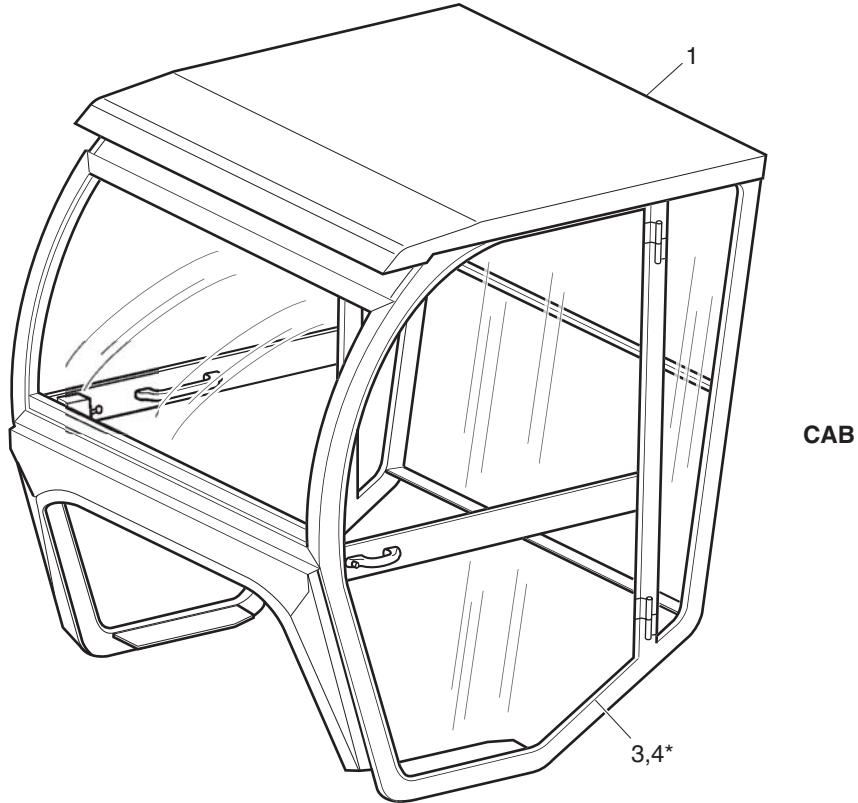
When ordering parts, please specify the model and serial number of the product.

* Indicates a component that is not available as an individual part.

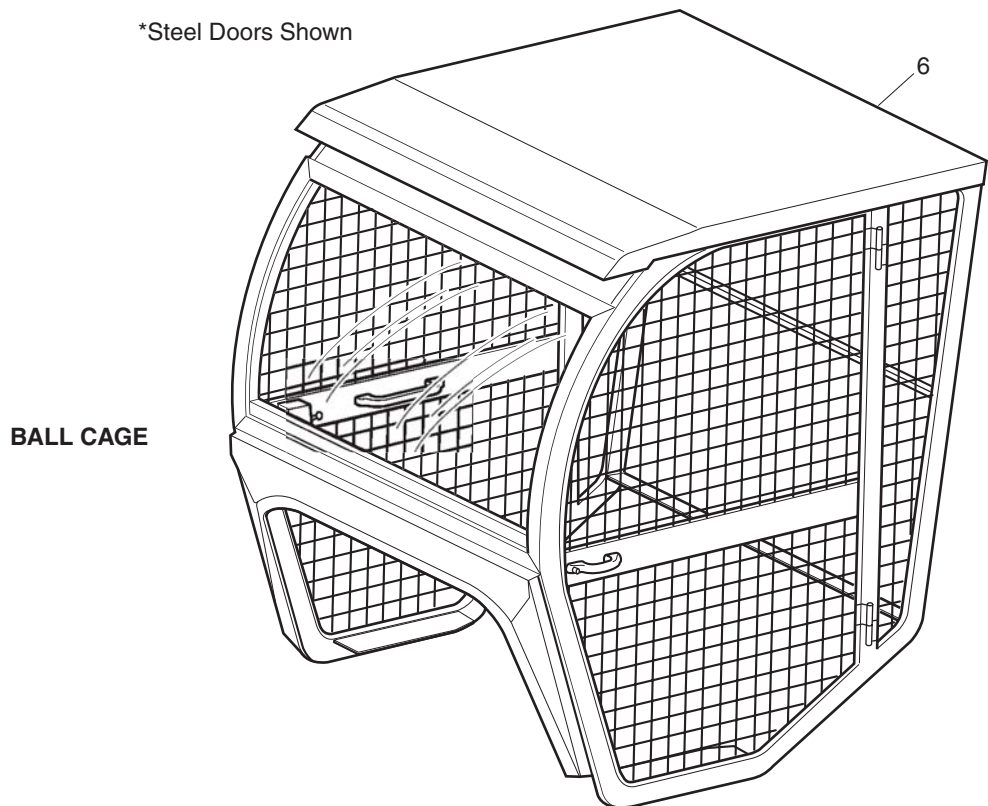
G** Indicates consult Customer Service Department for additional information.

ITEM	PART NO.	1	2	3	4	5	DESCRIPTION	QTY.
117	17838-G1						NYLON BUSHING	1
118	10386-G3						CLEVIS PIN, 5/16 X 1" LG.....	1
119	74753-G01						UPPER ACTUATOR PIVOT	1
120	70581-G02						ACETAL BUSHING.....	4
121	74711-G01						SHOULDER BOLT.....	1
122	00560-G3						WASHER, 1/2"	1
123	13437-G3						BOLT, 1/2 - 13 X 6" LG.....	2
124								
125	800697						LOCKNUT, 5/16 - 18.....	2
126	74742-G01						MASTER CYLINDER.....	1
127	606864						MASTER CYLINDER WELDMENT MOUNT	1
128	11098-G5						LOCKNUT, 3/8 - 16.....	1
129	00679-G1						WASHER, 3/8" STAINLESS	1
130	74707-G01						LOWER ACTUATOR PIVOT.....	1
131	10385-G4						CLEVIS YOKE	1
132	606869						ACTUATOR ASSEMBLY COVER.....	1
133	01038-G01						SCREW, 1/4 -20 SWAGEFORM.....	3
134								
135	00414-G8						BOLT, 1/4 - 20 X 1 1/4" LG	4
136	00891-G2						LOCKNUT, 1/4 - 20	4
137								
138	10387-G3						COTTER PIN, 3/32 X 3/4	2
139	20835-G1						WASHER, NYLON	1
140	17838-G1						NYLON BUSHING.....	2
141	74865-G01						ACTUATOR LINKAGE	1
142	00771-G5						WASHER, 3/8"	1
143	74917-G01						DISC BRAKE PAD AND PIN KIT (SERVICES ONE CORNER) (INCLUDES ITEMS 144 - 145).....	1
144	*						BRAKE PADS	2
145	*						BRAKE PAD RETAINER PINS	2

CAB



*Steel Doors Shown



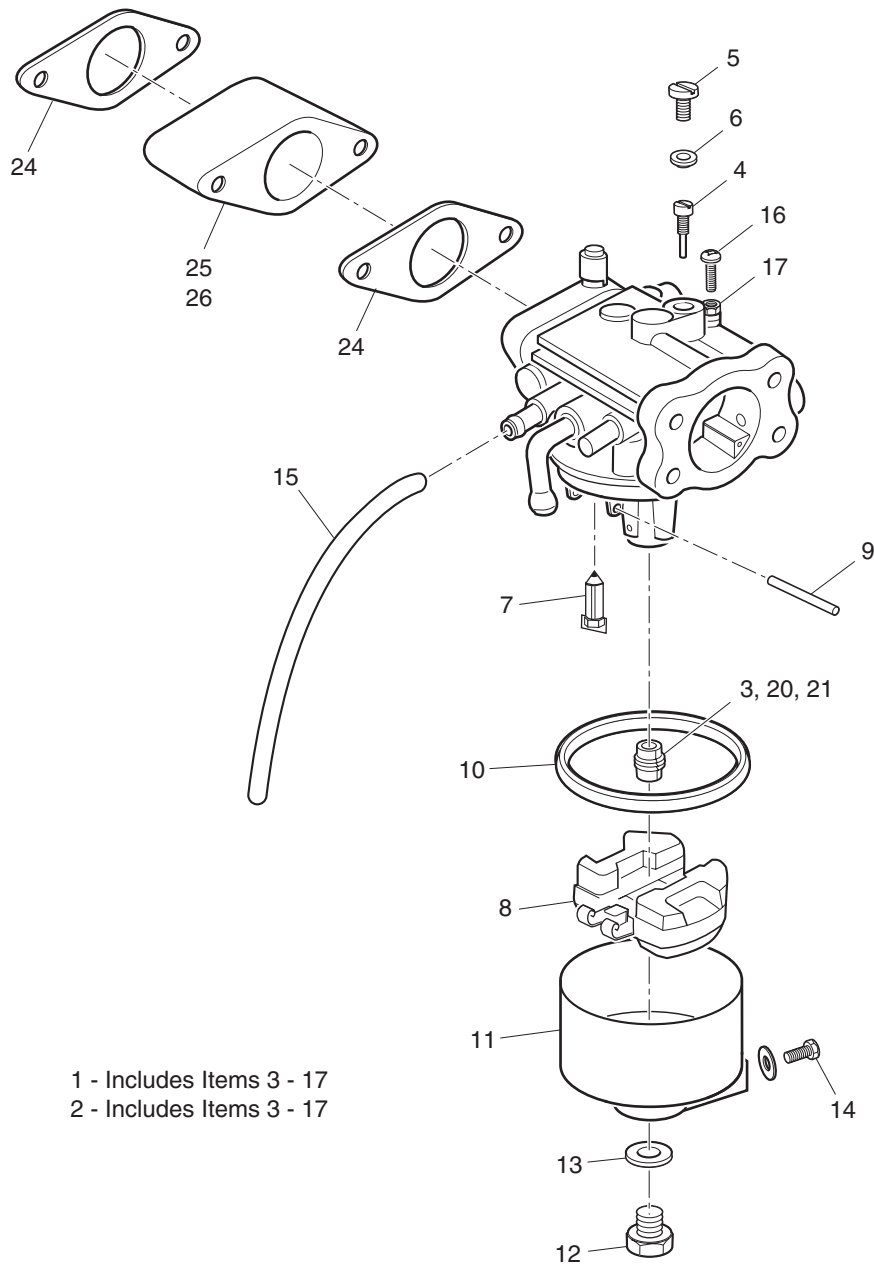
Ref Cab 6-1

For Cab Accessories, See ACCESSORIES LISTING in Appendix B

THE USE OF NON U.L. PARTS WILL VOID ANY U.L. LISTING.
 When ordering parts, please specify the model and serial number of the product.
 * Indicates a component that is not available as an individual part.
 G** Indicates consult Customer Service Department for additional information.

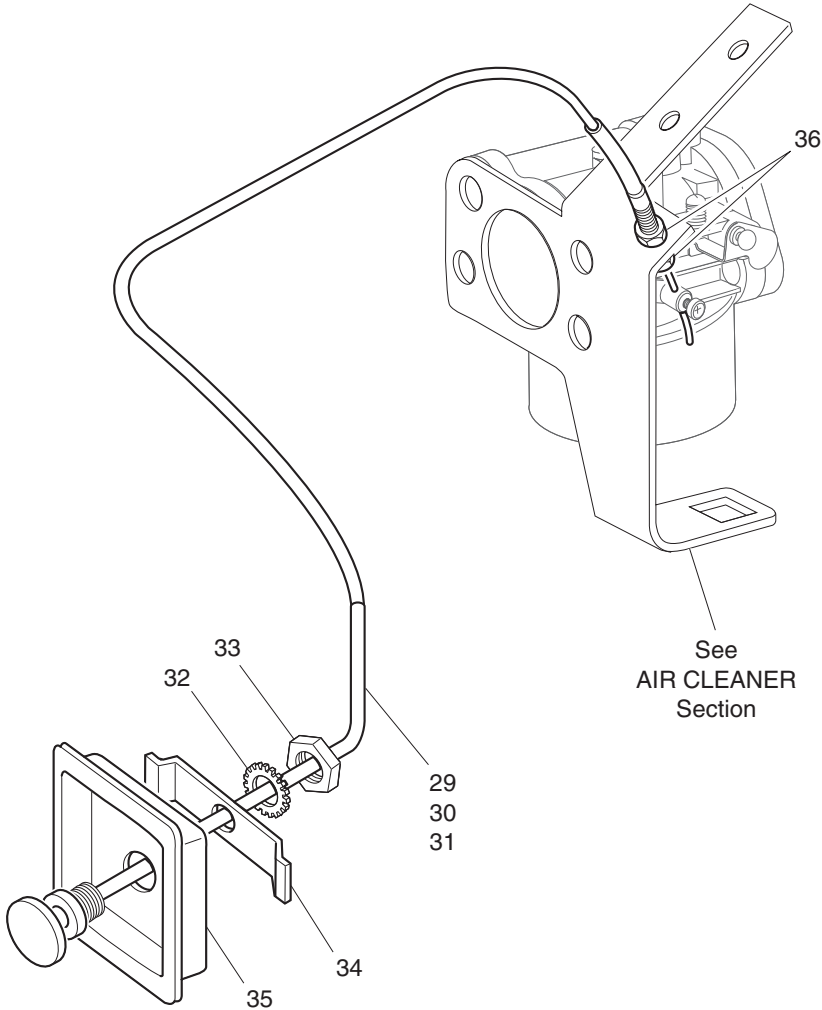
ITEM	PART NO.	1 2 3 4 5	DESCRIPTION	QTY.
1	72684-G**		STEEL CAB (WITHOUT DOORS) REPACEMENT PARTS AND ACCESSORIES MAY BE OBTAINED FROM CURTIS CAB, INC.	1
2				
3	75855-G01		VINYL DOOR KIT.....	1
4	75856-G**		STEEL DOOR KIT.....	1
5				
6	75853-G01		BALL CAGE	1
<p>ForCab replacementpartsandaccessories, contactCurtisCabat: Curtis Cab, Inc. 111 Higgins Street, Worcester, Massachusetts, 01606. Tel.: 508-853-2200. Toll free: 800-343-7676. www.curtiscab.com</p>				

CARBURETOR AND CHOKE



Ref Cac 2-1

CARBURETOR AND CHOKE



Ref Cac 2-2

CARBURETOR AND CHOKE

Where applicable, THE USE OF NON UL PARTS WILL VOID ANY UL LISTING.

When ordering parts, please specify the model and serial number of the product.

* Indicates a component that is not available as an individual part.

G** Indicates consult Customer Service Department for additional information.

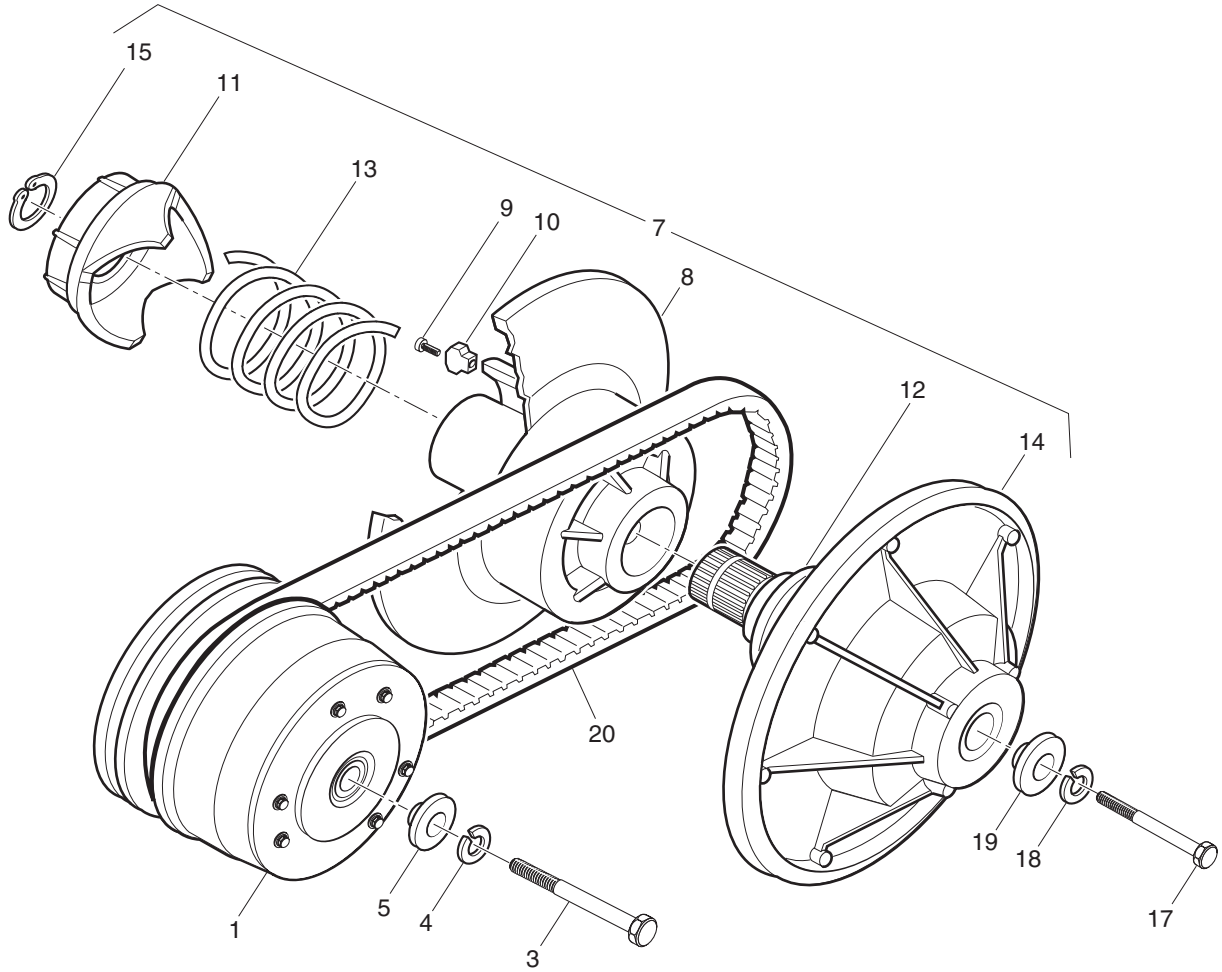
ITEM	PART NO.	1 2 3 4 5	DESCRIPTION	QTY.
1	72840-G01		CARBURETOR (FOR VEHICLES ORIGINALLY EQUIPPED WITH 295cc (EH29C & EH292C) ENGINES) (INCLUDES ITEMS 3 - 17).....	1
2	72840-G02		CARBURETOR (FOR VEHICLES ORIGINALLY EQUIPPED WITH 350cc (EH35C & EH352C) ENGINES) (INCLUDES ITEMS 3 - 17).....	1
3	26646-G08		MAIN JET (#86)	1
4	26649-G05		PILOT JET (#46).....	1
5	26841-G01		PLUG	1
6	72306-G01		GASKET	1
7	72578-G01		NEEDLE VALVE	1
8	26648-G01		FLOAT.....	1
9	26840-G01		FLOAT PIN.....	1
10	26843-G01		FLOAT BOWL GASKET	1
11	26844-G01		FLOAT CHAMBER.....	1
12	26839-G01		BOWL SCREW	1
13	26838-G01		BOWL GASKET	1
14	72579-G01		DRAIN SCREW	1
15	26650-G01		VENT TUBE.....	2
16	72317-G01		SCREW.....	1
17	72310-G01		NUT.....	1
18				
19				
20	26646-G**		MAIN JET (***) (FOR ELEVATIONS OF 3000 FT - 6000 FT).....	1
21	26646-G**		MAIN JET (***) (FOR ELEVATIONS OF 6000 FT - 10000 FT).....	1
22				
23				
24	26726-G01		CARBURETOR MOUNT GASKET.....	2
25	72883-G01		CARBURETOR INSULATOR (FOR FUJI ENGINE EH29C)	1
26	72854-G01		CARBURETOR INSULATOR (FOR FUJI ENGINE EH35C)	1
27				
28				
29	25693-G04		CHOKE CABLE (22 1/4" LG WITH NUTS)	1

CARBURETOR AND CHOKE

Where applicable, THE USE OF NON UL PARTS WILL VOID ANY UL LISTING.
 When ordering parts, please specify the model and serial number of the product.
 * Indicates a component that is not available as an individual part.
 G** Indicates consult Customer Service Department for additional information.

ITEM	PART NO.	1 2 3 4 5	DESCRIPTION	QTY.
30	72401-G01		CHOKE CABLE (60 1/4" LG WITH NUTS)	1
31	72401-G02		CHOKE CABLE (31 1/2" LG WITH NUTS)	1
32	00568-G4		LOCK WASHER, 9/16"	1
33	00545-G4		JAM NUT, 9/16 - 18	1
34	72155-G02		RETAINER	1
35	72154-G01		CHOKE CABLE ADAPTER	1
36	00544-G4		JAM NUT, 5/16 - 24	2

CLUTCH



Ref Clr 21-1

CLUTCH

THE USE OF NON U.L. PARTS WILL VOID ANY U.L. LISTING.

When ordering parts, please specify the model and serial number of the product.

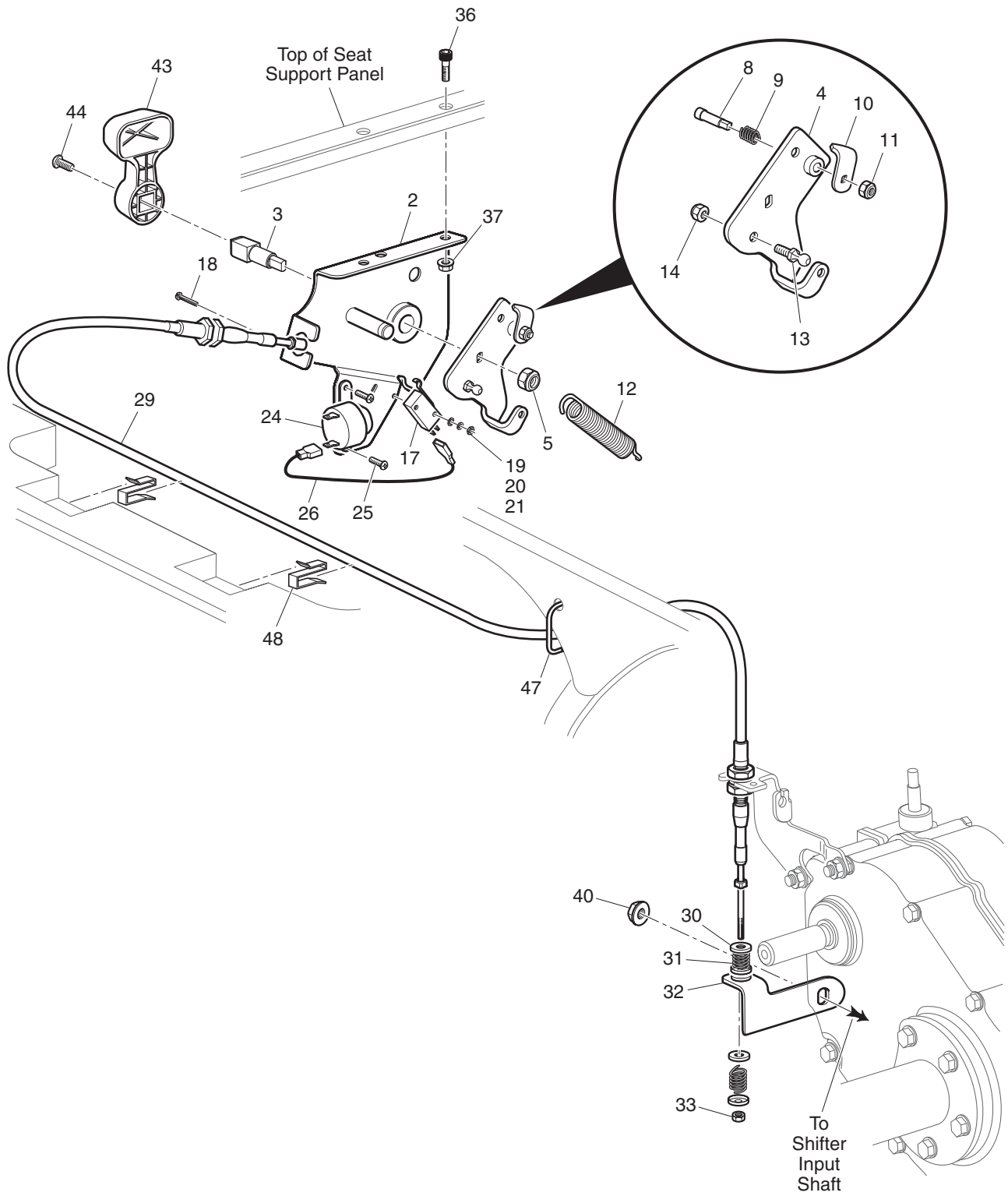
* Indicates a component that is not available as an individual part.

G** Indicates consult Customer Service Department for additional information.

ITEM	PART NO.	1 2 3 4 5	DESCRIPTION	QTY.
1	26952-G01		DRIVE CLUTCH	1
2				
3	00473-G9		BOLT, 7/16 - 20 X 6 1/2" LG	1
4	00566-G2		LOCK WASHER, 7/16"	1
5	25757-G1		PILOT WASHER	1
6				
7	26301-G03		DRIVEN CLUTCH ASSEMBLY (INCLUDES ITEMS 8 - 15)	1
8	*		MOVABLE SHEAVE (INCLUDES ITEMS 9 -10).....	1
9	00979-G01		SCREW, #10 - 24 X 7/8" LG.....	3
10	72324-G01		RAMP BUTTON	3
11	*		CAM.....	1
12	24600-G1		SPACER	1
13	26304-G01		COMPRESSION SPRING	1
14	*		SHEAVE AND POST	1
15	27270-G01		HEAVY DUTY RETAINING RING	1
16				
17	00441-G8		BOLT, 5/16 - 18 X 4" LG	1
18	00565-G8		LOCK WASHER, 5/16"	4
19	25756-G1		RETAINING WASHER	1
20	72328-G01		DRIVE BELT (SEVERE DUTY).....	1

DIRECTION SELECTOR

1 - Includes Items 2 - 33



Ref Dsl 21-1

DIRECTION SELECTOR

Where applicable, THE USE OF NON UL PARTS WILL VOID ANY UL LISTING.

When ordering parts, please specify the model and serial number of the product.

* Indicates a component that is not available as an individual part.

G** Indicates consult Customer Service Department for additional information.

ITEM	PART NO.	1 2 3 4 5	DESCRIPTION	QTY.
1	72721-G06		DIRECTION SELECTOR ASSEMBLY E-COAT (INCLUDES ITEMS 2 - 33)	1
2	72737-G02		DIRECTION SELECTOR BRACKET	1
3	70233-G01		DIRECTION SELECTOR SHAFT	1
4	72738-G01		DIRECTION SELECTOR CAM	1
5	14390-G1		LOCK NUT, 3/8 - 24	1
6				
7				
8	72724-G01		NEUTRAL LOCK PIN	1
9	72733-G01		COMPRESSION SPRING, 3/8" X 5/8" LG	1
10	72729-G01		NEUTRAL LOCK LATCH	1
11	00734-G2		LOCK NUT, 1/4 - 28	1
12	28574-G01		EXTENSION SPRING	1
13	72732-G01		BALL STUD	1
14	00734-G5		LOCK NUT, #10 - 32	1
15				
16				
17	72736-G01		MICRO SWITCH	1
18	01062-G01		SCREW, #4 - 40 X 1" LG	2
19	00559-G1		WASHER, #4	2
20	00565-G1		LOCK WASHER, #4	2
21	00526-G2		NUT, #4 - 40	2
22				
23				
24	73290-G03		REVERSE WARNING BUZZER	1
25	01063-G01		SCREW, #6 - 32 X 3/8" LG	2
26	25978-G345		18 GA WIRE (RED 7")	1
27				
28				
29	72734-G03		SHIFTER CABLE	1
30	25727-G01		CUP WASHER	4

DIRECTION SELECTOR

Where applicable, THE USE OF NON UL PARTS WILL VOID ANY UL LISTING.

When ordering parts, please specify the model and serial number of the product.

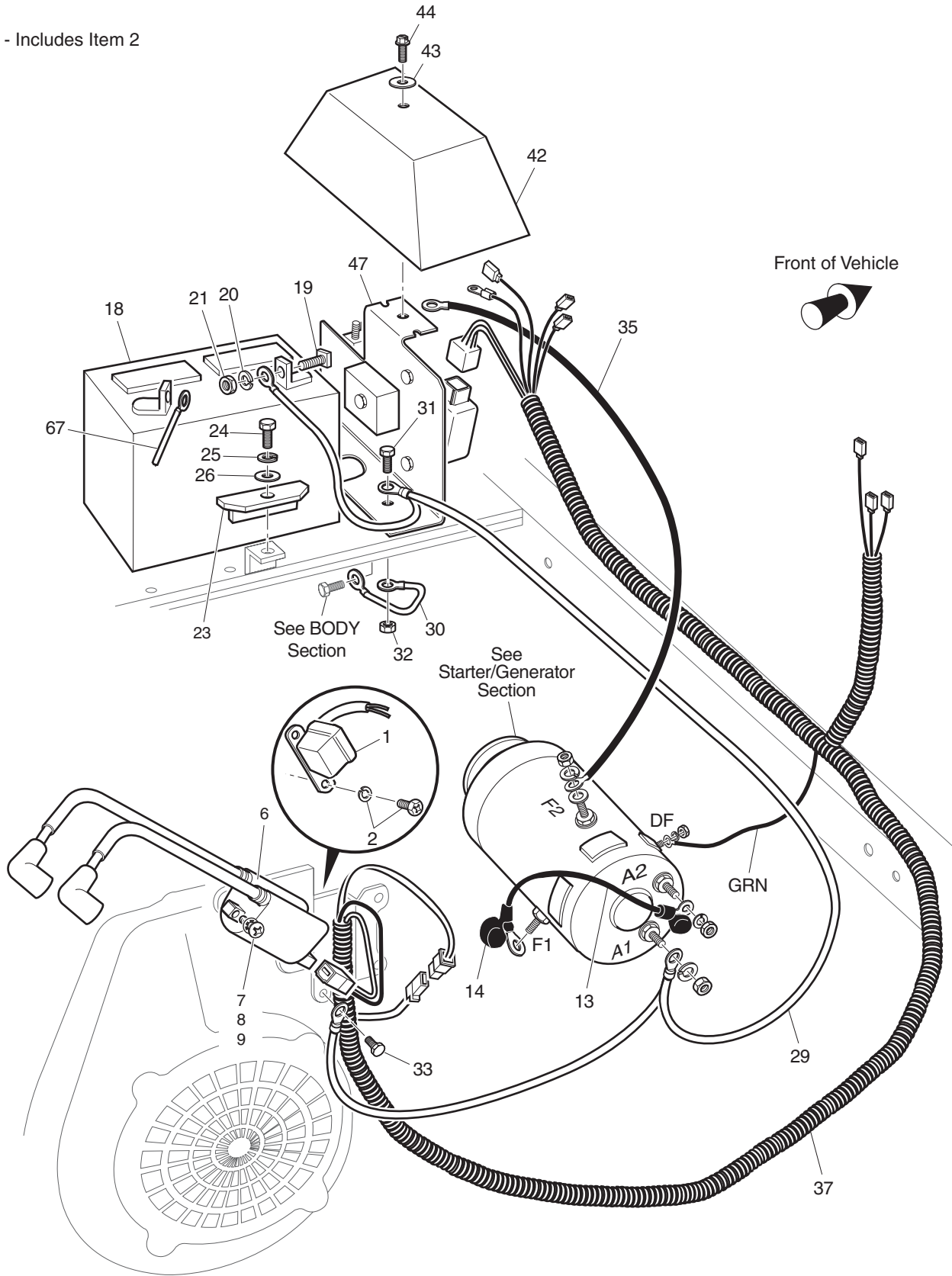
* Indicates a component that is not available as an individual part.

G** Indicates consult Customer Service Department for additional information.

ITEM	PART NO.	1 2 3 4 5	DESCRIPTION	QTY.
31	72735-G01		COMPRESSION SPRING, 19/32" X 1" LG	2
32	72730-G01		SHIFTER ARM.....	1
33	00734-G5		LOCK NUT, #10 - 32.....	1
34				
35				
36	70227-G01		SCREW, 1/4 - 20 X 7/8" LG.....	2
37	11027-G2		LOCK NUT, 1/4 - 20	2
38				
39				
40	26830-G01		LOCK NUT, M8 X 1.25 MM	1
41				
42				
43	71205-G01		DIRECTION SELECTOR HANDLE.....	1
44	00740-G4		SCREW, #10 - 32 X 1/2" LG (STAINLESS STEEL)	1
45				
46				
47	17618-G1		WIRE TIE	1
48	01072-G01		CABLE CLIP.....	2

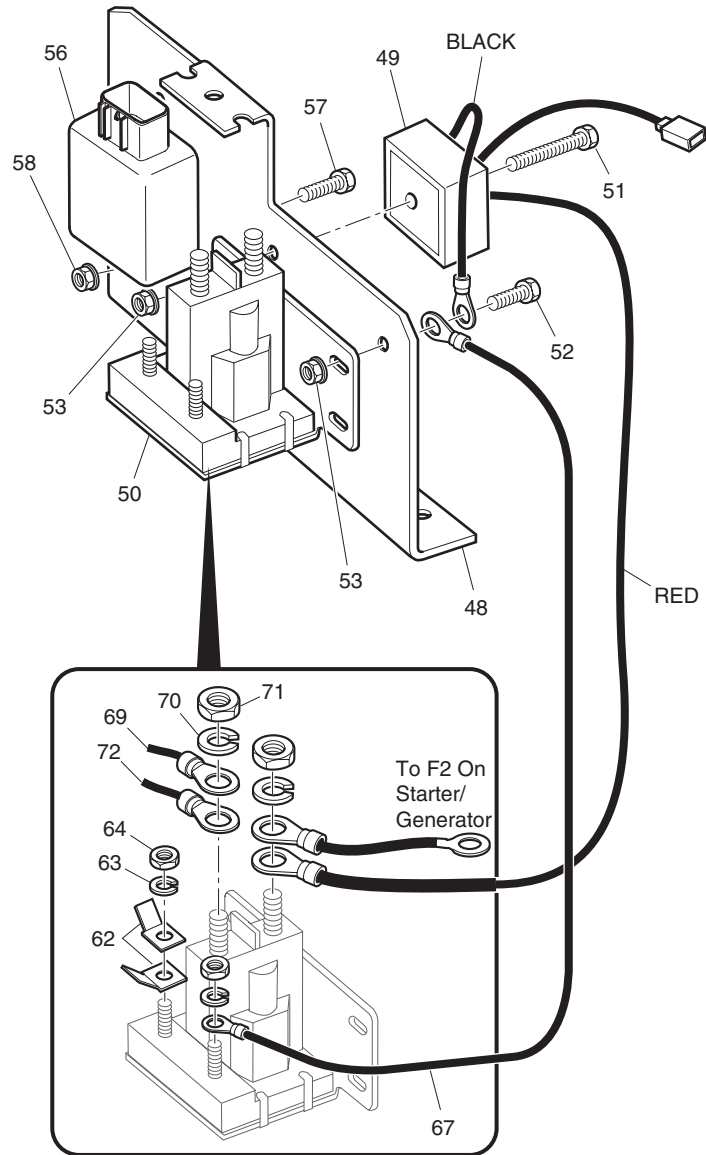
ELECTRICAL

1 - Includes Item 2



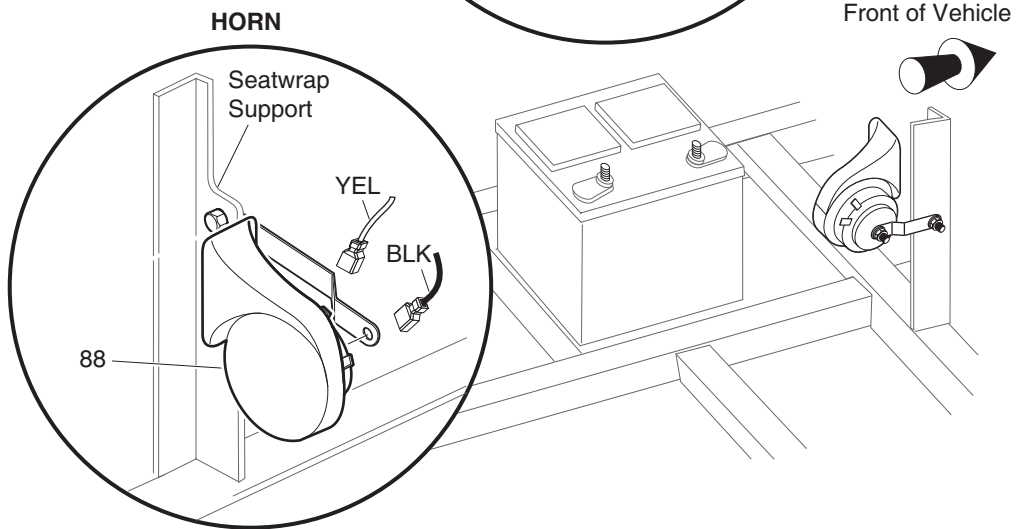
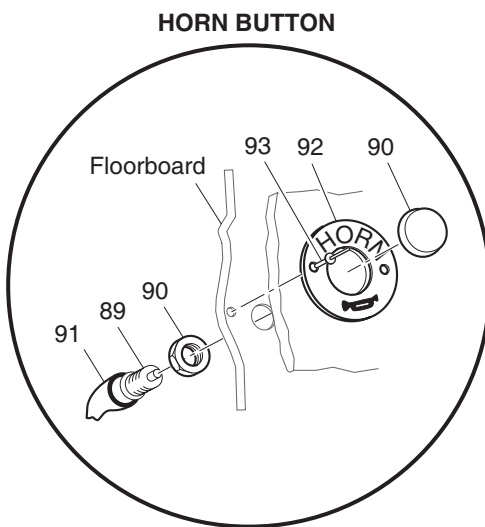
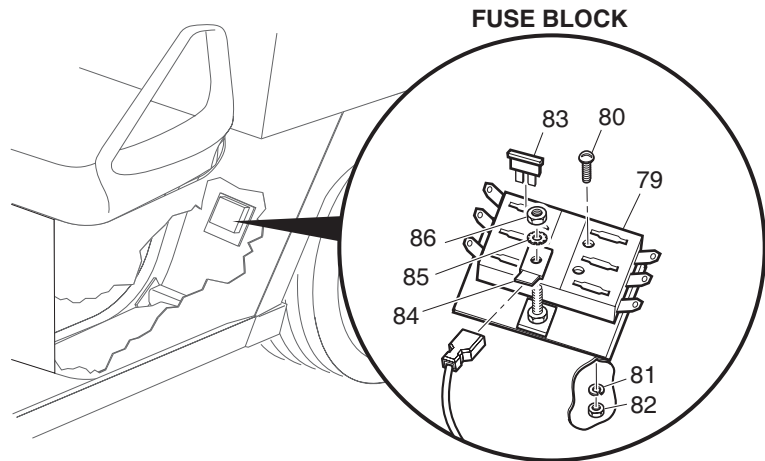
Ref Ele 2-1

47 - Includes Items 48 - 72

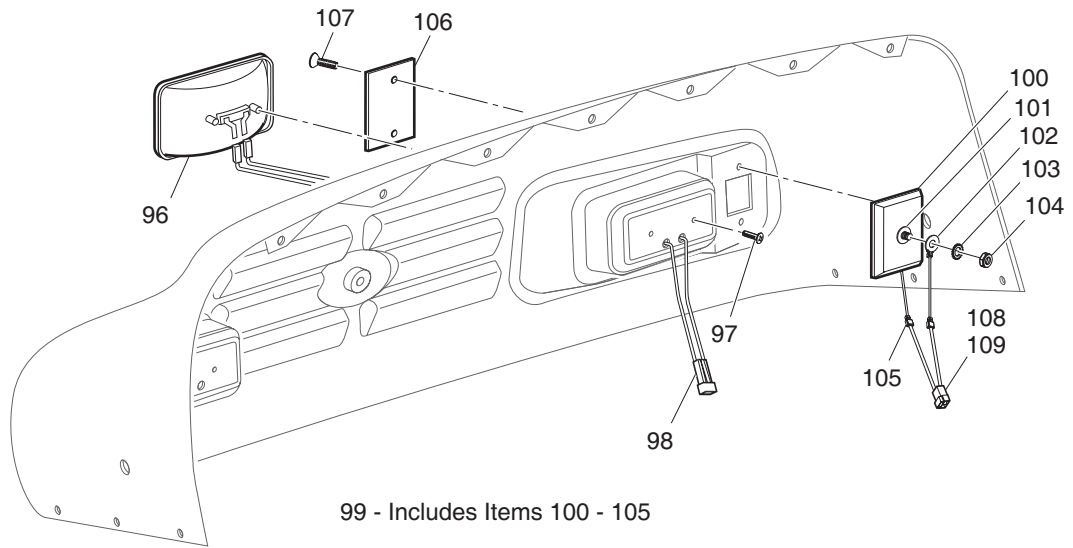


Ref Ele 2-2

ELECTRICAL

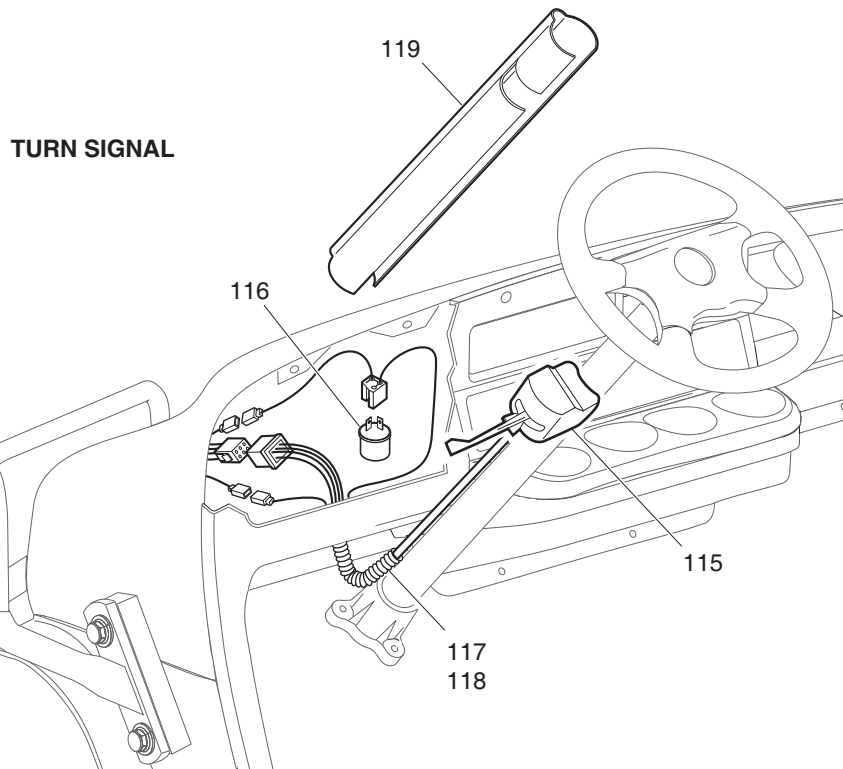
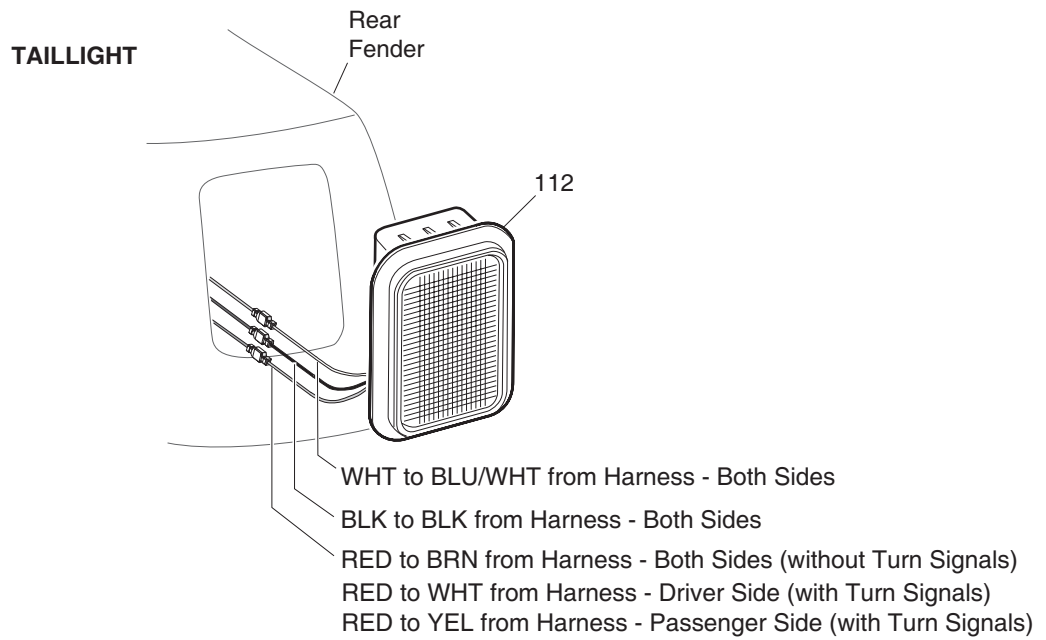


Ref Ele 21-3



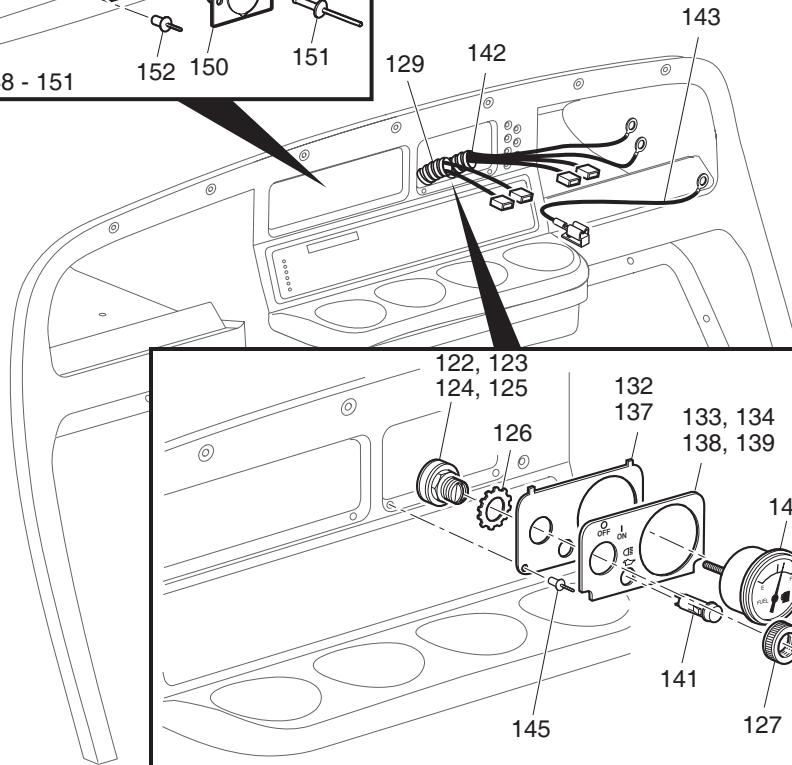
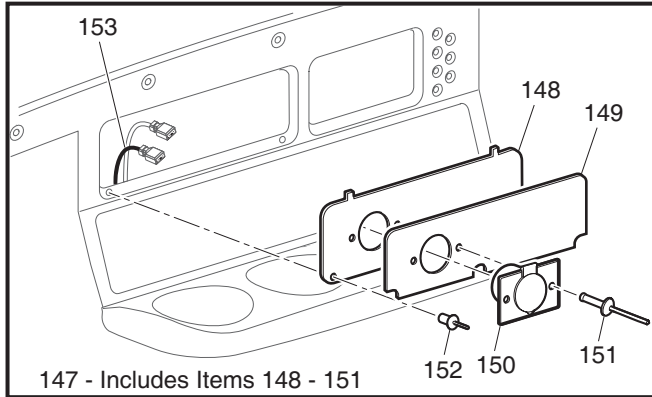
Ref Ele 21-4

ELECTRICAL



Ref Ele 6-5

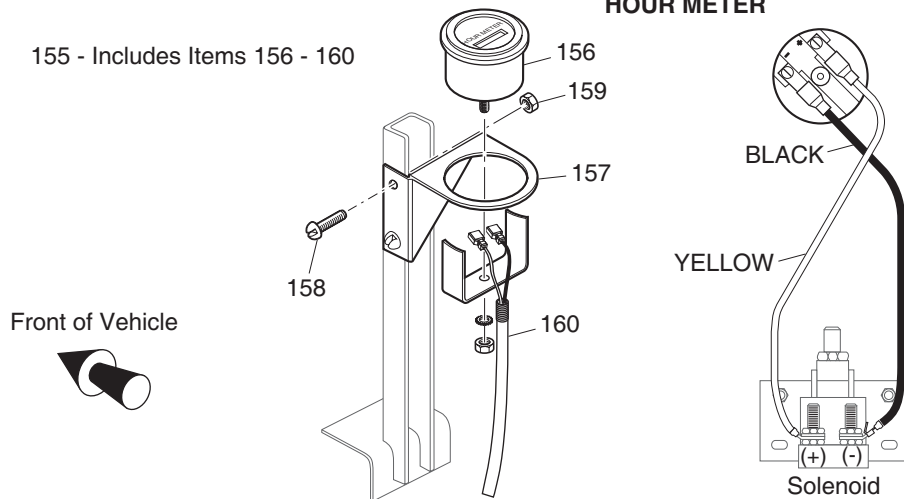
CONSOLE INSERT PLATE (WITH POWER OUTLET SHOWN)



KEY SWITCH, INDICATOR LIGHT(S), AND FUEL GAUGE

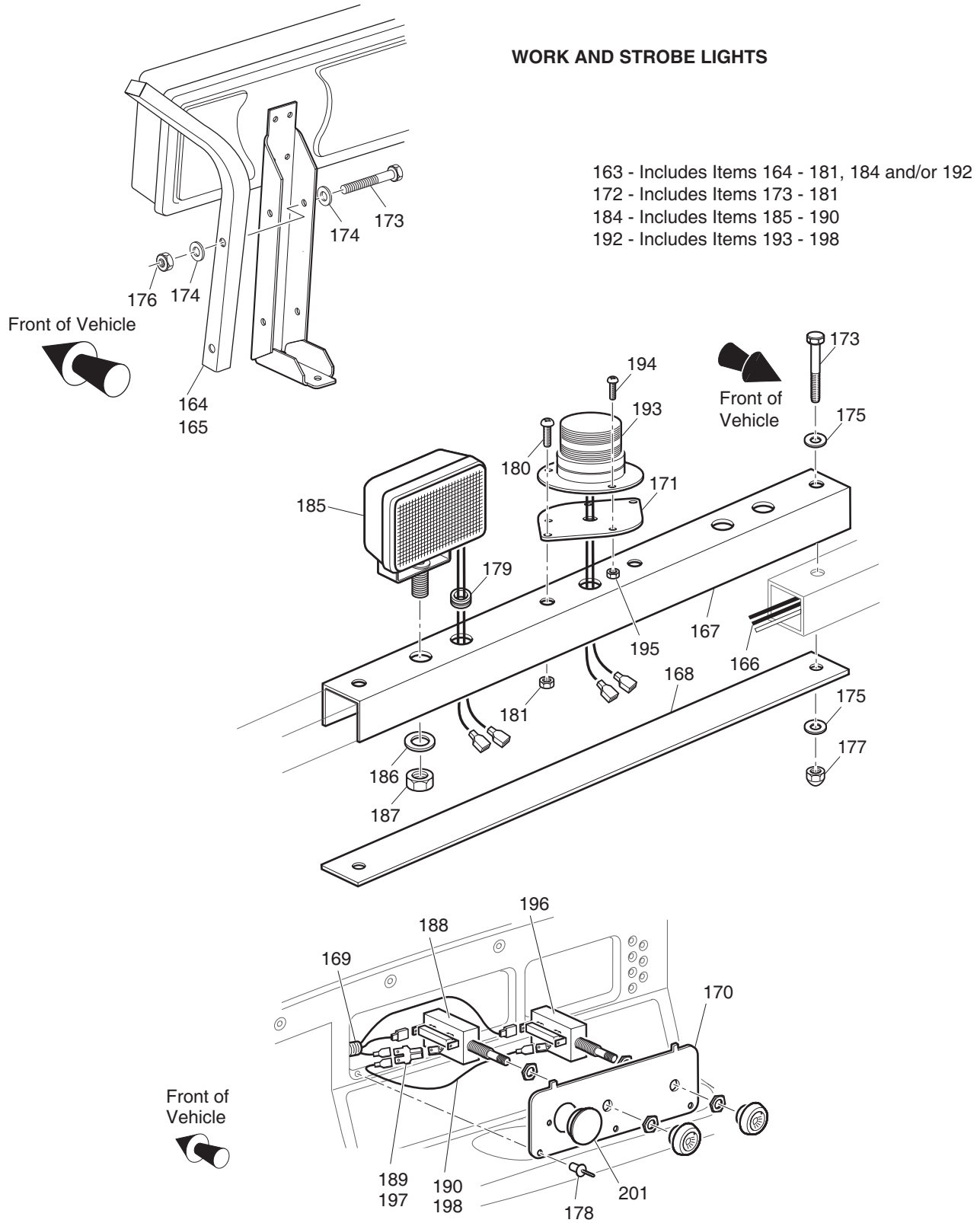
HOUR METER

155 - Includes Items 156 - 160



Ref Ele 6-6

WORK AND STROBE LIGHTS



Ref Ele 23-7

ELECTRICAL

Where applicable, THE USE OF NON UL PARTS WILL VOID ANY UL LISTING.

When ordering parts, please specify the model and serial number of the product.

* Indicates a component that is not available as an individual part.

G** Indicates consult Customer Service Department for additional information.

ITEM	PART NO.	1 2 3 4 5	DESCRIPTION	QTY.
1	72865-G01		IGNITION PICKUP ASSEMBLY (INCLUDES ITEM 2).....	1
2	26707-G01		BOLT AND WASHER ASSEMBLY, M5 X 0.8 X 10 MM LG	2
3				
4				
5				
6	72866-G01		IGNITION COIL (EH292C & EH352C ENGINES) (INCL. SPARK PLUG WIRES)	1
7	*		FLAT WASHER	2
8	*		LOCK WASHER	2
9	72871-G01		SCREW	2
10				
11				
12				
13	25887-G01		6 GA WIRE (BLACK, 6", F1 - A2).....	1
14	25682-G1		TERMINAL COVER	3
15				
16				
17				
18	24775-G*		BATTERY, 12V	1
19	00962-G1		BOLT, 5/16 - 18 X 1 1/4" LG	2
20	00993-G01		LOCK WASHER, 5/16" (SILICON BRONZE)	2
21	00994-G01		NUT, 5/16 - 18 (SILICON BRONZE)	2
22				
23	72101-G01		BATTERY HOLD DOWN.....	1
24	00438-G6		BOLT, 5/16 - 18 X 3/4" LG	1
25	00565-G8		LOCK WASHER, 5/16"	1
26	00571-G2		WASHER, 5/16" (STAINLESS STEEL)	1
27				
28				
29	27044-G03		GROUND CABLE.....	1

ELECTRICAL

Where applicable, THE USE OF NON UL PARTS WILL VOID ANY UL LISTING.

When ordering parts, please specify the model and serial number of the product.

* Indicates a component that is not available as an individual part.

G** Indicates consult Customer Service Department for additional information.

ITEM	PART NO.	1 2 3 4 5	DESCRIPTION	QTY.
30	25976-G19		14 GA WIRE (BLACK, 6")	1
31	00438-G6		BOLT, 5/16 - 18 X 3/4" LG	2
32	11027-G1		LOCK NUT, 5/16 - 18	2
33	26676-G01		FLANGED BOLT, M6 X 1 X 23 MM LG	1
34				
35	25972-G58		6 GA WIRE (BLACK 26", F2 - SOL).....	1
36				
37	74935-G01		WIRE HARNESS (CONTROL).....	1
38				
39				
40	17618-G1		WIRE TIE	AR
41				
42	73049-G01		COVER.....	1
43	16469-G1		WASHER, 1/4"	1
44	00114-G6		SCREW, 1/4 - 14 X 3/4" LG.....	1
45				
46				
47	72909-G01		ELECTRICAL PLATE ASSEMBLY (INCLUDES ITEMS 48 - 72)	1
48	73057-G01		BRACKET	1
49	27739-G01		VOLTAGE REGULATOR	1
50	27153-G01		SOLENOID	1
51	00415-G2		BOLT, 1/4 - 20 X 1 1/4" LG.....	1
52	00414-G8		BOLT, 1/4 - 20 X 1" LG.....	1
53	11027-G2		LOCK NUT, 1/4 - 20.....	2
54				
55				
56	72872-G01		IGNITOR	1
57	00414-G5		BOLT, 1/4 - 20 X 5/8" LG.....	1
58	11027-G2		LOCK NUT, 1/4 - 20	1
59				

ELECTRICAL

Where applicable, THE USE OF NON UL PARTS WILL VOID ANY UL LISTING.

When ordering parts, please specify the model and serial number of the product.

* Indicates a component that is not available as an individual part.

G** Indicates consult Customer Service Department for additional information.

ITEM	PART NO.	1	2	3	4	5	DESCRIPTION	QTY.
60								
61								
62	73446-G01						FASTON TAB, 90°	2
63	00565-G5						LOCK WASHER, #10	2
64	00526-G4						NUT, #10 - 32.....	2
65								
66								
67	25978-G56						18 GA WIRE (BLACK, 5 3/4")	1
68								
69	22585-G3						IN-LINE FUSE HOLDER.....	1
70	00565-G8						LOCK WASHER, 5/16"	2
71	00544-G4						JAM NUT, 5/16 - 24.....	2
72	25972-G33						6 GA WIRE (BLACK, 24", B+ - SOL)	1
73								
74								
75								
76								
77								
78								
79	35211-G01						FUSE BLOCK (6 POSITION)	1
80	00379-G2						SCREW, #10 - 24 X 1 1/4" LG.....	2
81	00559-G5						WASHER, #10.....	2
82	14390-G10						LOCK NUT, #10 - 24	2
83	35212-G01						FUSE, 15 AMP	AR
84	12914-G1						PUSH ON MALE TERMINAL	1
85	00567-G5						LOCK WASHER, #10.....	1
86	00526-G4						NUT, #10 - 32	1
87								
88	32860-G1						HORN.....	1
89	17318-G1						HORN SWITCH.....	1

ELECTRICAL

Where applicable, THE USE OF NON UL PARTS WILL VOID ANY UL LISTING.

When ordering parts, please specify the model and serial number of the product.

* Indicates a component that is not available as an individual part.

G** Indicates consult Customer Service Department for additional information.

ITEM	PART NO.	1 2 3 4 5	DESCRIPTION	QTY.
90	17318-G2		HORN SWITCH CAP AND NUT	1
91	27068-G01		HORN SWITCH BOOT	1
92	19233-G1		HORN SWITCH LABEL	1
93	71055-G01		RIVET, 3/16" X 1" LG (ALUMINUM)	2
94				
95				
96	22523-G1		HEADLIGHT (INCLUDES ITEM 122) (LX / SE)	2
97	00906-G6		SCREW, #10 - 16 X 1" LG	2
98	74337-G01		JUMPER WIRE (HEADLIGHT)	2
99	20570-G3		TURN SIGNAL LIGHT (INCLUDES ITEMS 100 - 105)	2
100	20574-G3		TURN SIGNAL LIGHT	1
101	00660-G7		WASHER, 1/4"	1
102	20606-G1		WIRE ASSEMBLY	1
103	00567-G7		LOCK WASHER, 1/4"	1
104	00532-G1		NUT, 1/4 - 20	1
105	18995-G1		PUSH-ON MALE TERMINAL	1
106	20574-G5		LENS, AMBER	1
107	00118-G5		SCREW, #6 - 18 X 5/8" LG	2
108	74056-G01		TURN SIGNAL JUMPER, RED/BLACK (PASSENGER SIDE)	1
109	74056-G02		TURN SIGNAL JUMPER, GREEN/BLACK (DRIVER SIDE)	1
110				
111				
112	32739-G2		TAILLIGHT ASSEMBLY (COMPLETE)	2
113				
114				
115	17867-G1		TURN SIGNAL (WITH MOUNTING HARDWARE) (INCL. ITEM 116)	1
116	21640-G1		TURN SIGNAL FLASHER	1
117	32307-G3		FLEX LOOM, 3/8 X 8" LG	1
118	17618-G1		WIRE TIE	2
119	20965-G3		STEERING COLUMN COVER	1

ELECTRICAL

Where applicable, THE USE OF NON UL PARTS WILL VOID ANY UL LISTING.

When ordering parts, please specify the model and serial number of the product.

* Indicates a component that is not available as an individual part.

G** Indicates consult Customer Service Department for additional information.

ITEM	PART NO.	1	2	3	4	5	DESCRIPTION	QTY.
120								
121								
122	33639-G02						IGNITION SWITCH KIT (W/O LIGHTS - STANDARD - WITH HARDWARE)	1
123	33639-G03						IGNITION SWITCH (WITHOUT LIGHTS - NON STANDARD)	1
124	18027-G1						IGNITION SWITCH (WITHOUT LIGHTS - INDIVIDUALLY KEYED)	1
125	33639-G**						IGNITION SWITCH (WITH LIGHTS).....	1
126	00568-G6						LOCK WASHER, 3/4".....	1
127	17137-G1						FACE NUT, 3/4 - 20.....	1
128	17063-G1						IGNITION KEY (SET).....	1
129	73041-G01						WIRE HARNESS (KEY SWITCH).....	1
130								
131								
132	601015						PLATE (IGNITION SWITCH ONLY)	1
133	71181-G02						DECAL (IGNITION SWITCH ONLY) WITHOUT HEADLIGHTS.....	1
134	71181-G01						DECAL (IGNITION SWITCH ONLY) WITH HEADLIGHTS	1
135								
136								
137	73030-G04						PLATE (FUEL GAUGE AND OIL LIGHT).....	1
138	71127-G01						DECAL (OIL LIGHT AND FUEL GAUGE W/O HEADLIGHTS).....	1
139	71131-G01						DECAL (OIL LIGHT AND FUEL GAUGE WITH HEADLIGHTS).....	1
140	21553-G1						FUEL GAUGE	1
141	23474-G1						INDICATOR LIGHT	1
142	74311-G01						HARNESS (OIL LIGHT/FUEL GAUGE)	1
143	25978-G122						18 GA WIRE (RED 6").....	1
144								
145	33623-G02						DRIVE RIVET, 3/16" X 3/8" LG	2
146								
147	74444-G**						CONSOLE INSERT ASSEMBLY (WITH OR W/O POWER OUTLET) (INCLUDES ITEMS 148 - 151).....	1
148	71077-G**						CONSOLE INSERT PLATE	1

ELECTRICAL

Where applicable, THE USE OF NON UL PARTS WILL VOID ANY UL LISTING.

When ordering parts, please specify the model and serial number of the product.

* Indicates a component that is not available as an individual part.

G** Indicates consult Customer Service Department for additional information.

ITEM	PART NO.	1	2	3	4	5	DESCRIPTION	QTY.
149	35966-G**						DECAL (CONSOLE INSERT PLATE).....	1
150	71078-G01						POWER OUTLET (12 VOLT).....	1
151	14601-G10						RIVET, 5/32" X 7/16" LG	2
152	33623-G02						DRIVE RIVET, 5/32" X 5/16" LG	3
153	71081-G01						WIRE HARNESS (POWER OUTLET)	1
154								
155	75114-G02						HOUR METER KIT (INCLUDES ITEMS 156 - 160).....	1
156	21573-G1						HOUR METER ASSEMBLY.....	1
157	74019-G02						HOUR METER BRACKET.....	1
158	00379-G4						SCREW, #10 - 24 X 1/2" LG	2
159	14390-G10						LOCK NUT, #10 - 24.....	2
160	75117-G01						WIRE HARNESS (HOUR METER)	1
161								
162								
163	71323-G**						WORK LIGHT BAR WITH LIGHTS AND/OR STROBE (INCLUDES ITEMS 164 - 181, 184 AND/OR 192).....	1
164	75838-G03						STRUT (DRIVER SIDE).....	1
165	75838-G04						STRUT (PASSENGER SIDE)	1
166	75346-G01						WIRE HARNESS (WORK LIGHT)	1
167	71294-G02						BRACE.....	1
168	71293-G02						COVER PLATE	1
169	75347-G01						SWITCH HARNESS	1
170	73522-G**						CONSOLE INSERT PLATE	1
171	33201-G03						STROBE LIGHT MOUNT (USED ONLY WITH STROBE LIGHT).....	1
172	75365-G01						HARDWARE KIT (INCLUDES ITEMS 173 - 181).....	1
173	00685-G7						BOLT, 5/16 - 18 X 1 3/4" LG	6
174	00660-G8						WASHER, 5/16".....	12
175	15121-G1						WASHER, 3/8" X 1 1/4".....	2
176	01109-G01						LOCK NUT, 5/16 - 18	4
177	00918-G3						ACORN NUT, 5/16 - 18	2

ELECTRICAL

Where applicable, THE USE OF NON UL PARTS WILL VOID ANY UL LISTING.

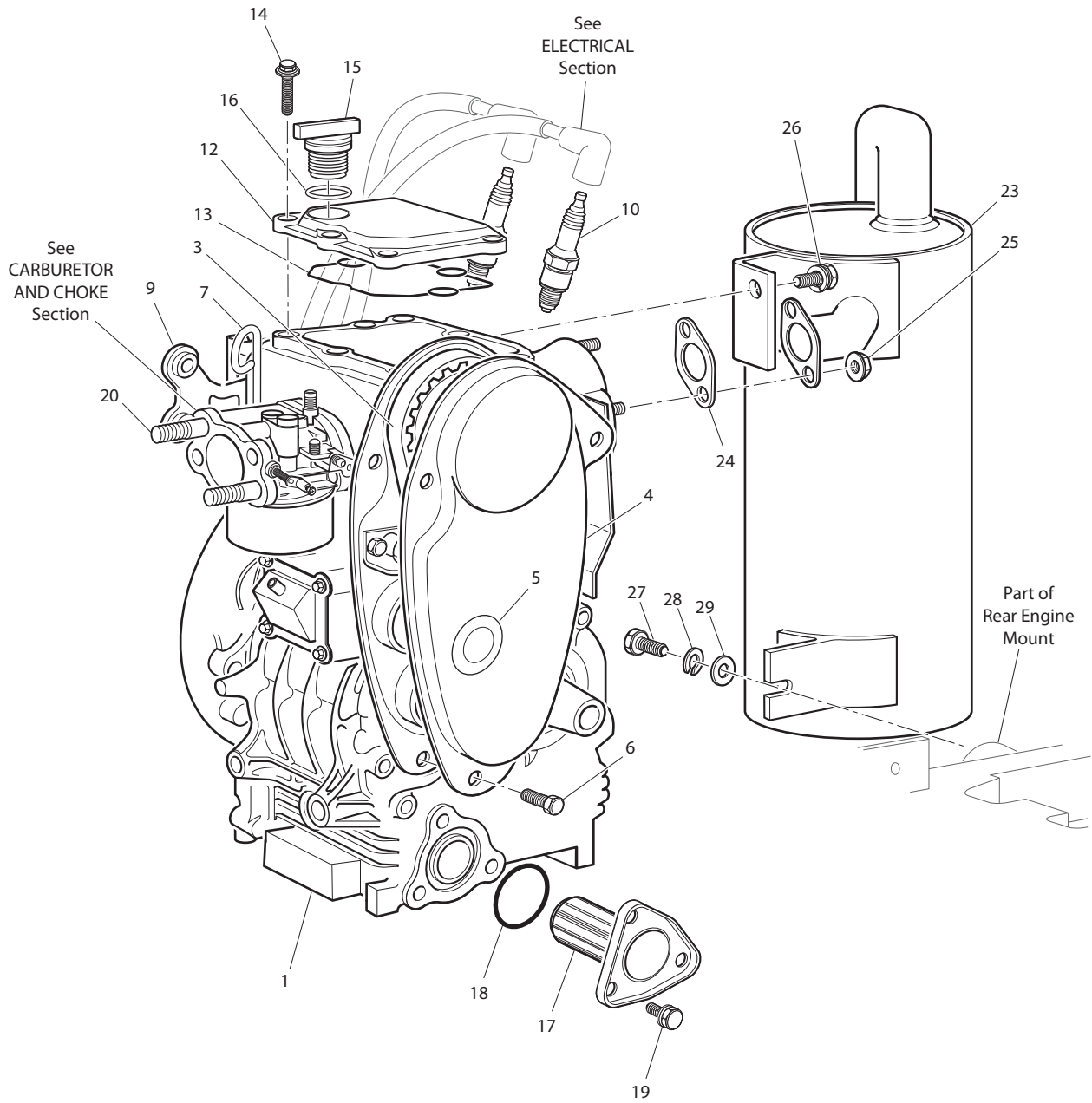
When ordering parts, please specify the model and serial number of the product.

* Indicates a component that is not available as an individual part.

G** Indicates consult Customer Service Department for additional information.

ITEM	PART NO.	1	2	3	4	5	DESCRIPTION	QTY.
178	33623-G02						DRIVE RIVET, 3/16" X 3/8" LG.....	3
179	20367-G1						GROMMET	2
180	16705-G3						SCREW, 1/4 - 20 X 3/4" LG.....	2
181	14390-G4						LOCK NUT, 1/4 - 20	2
182								
183								
184	20383-G2						WORK LIGHT KIT (INCLUDES ITEMS 185 - 190).....	1
185	20209-G2						WORK LIGHT (RECTANGULAR)	2
186	00566-G3						LOCK WASHER, 1/2"	2
187	00533-G1						NUT, 1/2 - 13	2
188	17317-G1						LIGHT SWITCH.....	1
189	17902-G1						TAB ADAPTER.....	1
190	20053-G1						16 GA WIRE (RED 5 3/8").....	1
191								
192	20385-G3						STROBE LIGHT KIT (INCLUDES ITEMS 193 - 198)	1
193	20394-G4						STROBE LIGHT	1
194	00379-G4						SCREW, #10 - 24 x 1/2" LG	3
195	14390-G10						LOCK NUT, #10 - 24	3
196	17317-G1						LIGHT SWITCH.....	1
197	17902-G1						TAB ADAPTER.....	1
198	20053-G1						16 GA WIRE (RED 5 3/8").....	1
199								
200								
201	20271-G10						HOLE PLUG.....	1
202								
203								
204								
205								
206								
207								

ENGINE AND MUFFLER



1 - Includes Items 3 - 20

Ref Emf 2

ENGINE AND MUFFLER

Where applicable, THE USE OF NON UL PARTS WILL VOID ANY UL LISTING.

When ordering parts, please specify the model and serial number of the product.

* Indicates a component that is not available as an individual part.

G** Indicates consult Customer Service Department for additional information.

ITEM	PART NO.	1 2 3 4 5	DESCRIPTION	QTY.
1	72846-G02		ENGINE (EH352C) (INCLUDES ITEMS 3 - 20).....	1
2				
3	26626-G01		TIMING BELT.....	1
4	72908-G01		TIMING BELT COVER.....	1
5	26631-G01		TIMING BELT COVER GROMMET.....	1
6	26678-G01		BOLT, M6 X 1 X 12 MM LG.....	3
7	72538-G01		DIP STICK (0 DEGREES).....	1
8				
9	72869-G01		IGNITION COIL BRACKET.....	1
10	25523-G3		SPARK PLUG (NGK BPR4ES).....	2
11				
12	72848-G01		VALVE COVER.....	1
13	72876-G01		VALVE COVER GASKET.....	1
14	26676-G01		FLANGED BOLT, M6 X 1 X 23 MM LG.....	6
15	26601-G01		OIL FILLER CAP.....	1
16	26720-G01		OIL FILLER 'O' RING.....	1
17	26591-G01		OIL FILTER.....	1
18	26710-G01		OIL FILTER 'O' RING.....	1
19	26680-G01		BOLT AND WASHER, M6 X 1 X 12 MM LG.....	3
20	72307-G01		STUD, M6 X 1 X 115MM LG.....	2
21				
22				
23	74829-G01		MUFFLER.....	1
24	25531-G1		EXHAUST GASKET.....	1
25	26827-G01		NUT, M8 X 1.25MM.....	2
26	25532-G1		BOLT AND WASHER, M8 X 1.25 X 18 MM LG.....	1
27	00438-G8		BOLT, 5/16 - 18 X 1" LG.....	1

ENGINE AND MUFFLER

Where applicable, THE USE OF NON UL PARTS WILL VOID ANY UL LISTING.

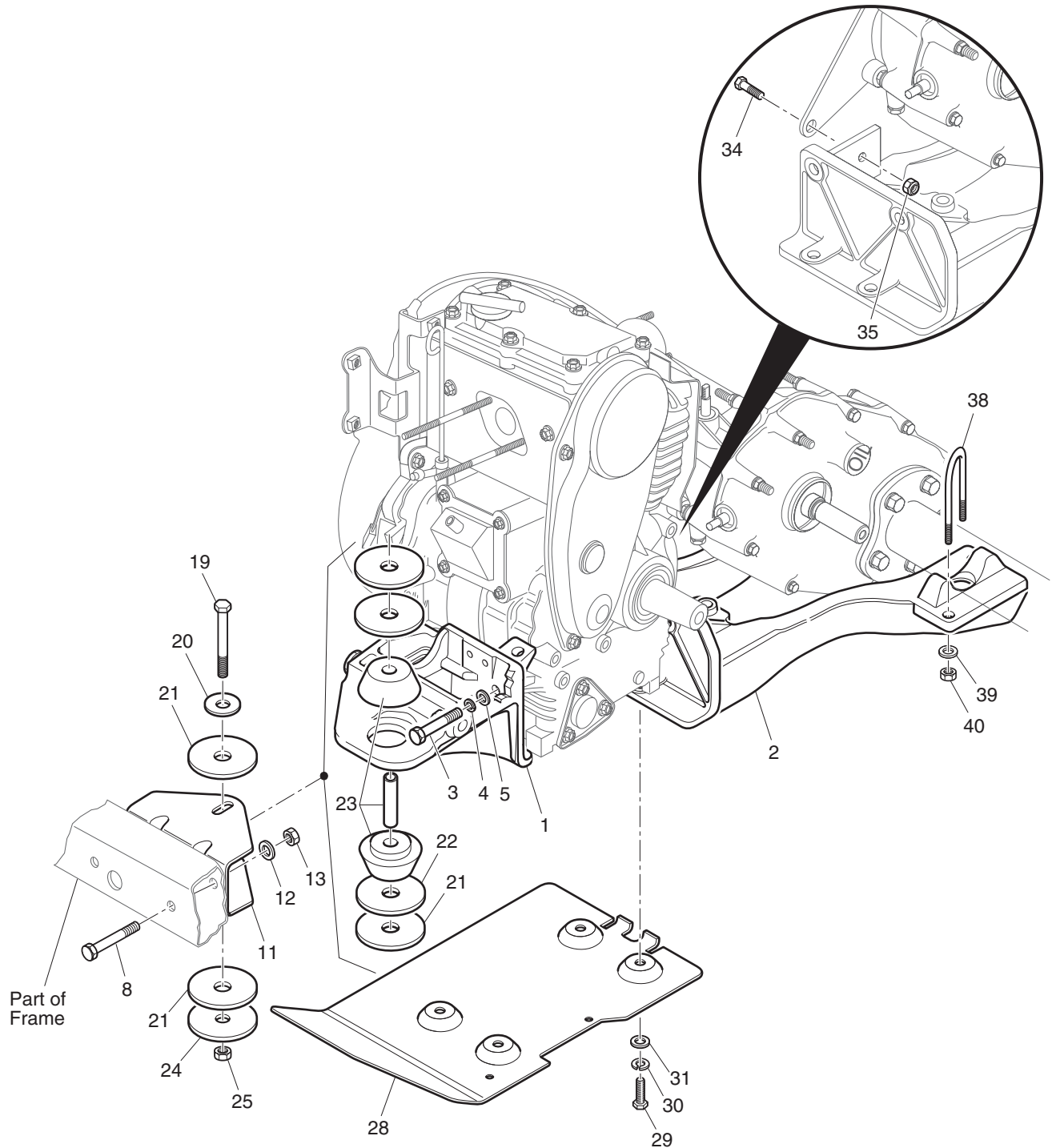
When ordering parts, please specify the model and serial number of the product.

* Indicates a component that is not available as an individual part.

G** Indicates consult Customer Service Department for additional information.

ITEM	PART NO.	1 2 3 4 5	DESCRIPTION	QTY.
28	00565-G8		LOCK WASHER, 5/16"	1
29	00642-G8		WASHER, 5/16"	1

ENGINE MOUNTING



Ref Emt 6

ENGINE MOUNTING

Where applicable, THE USE OF NON UL PARTS WILL VOID ANY UL LISTING.

When ordering parts, please specify the model and serial number of the product.

* Indicates a component that is not available as an individual part.

G** Indicates consult Customer Service Department for additional information.

ITEM	PART NO.	1 2 3 4 5	DESCRIPTION	QTY.
1	72010-G01		FRONT ENGINE MOUNT	1
2	72011-G01		REAR ENGINE MOUNT	1
3	00463-G4		BOLT, 7/16 - 14 X 1 1/2" LG	4
4	00566-G2		LOCK WASHER, 7/16"	4
5	00922-G3		WASHER, 7/16"	4
6				
7				
8	00428-G6		BOLT, 3/8 - 16 X 2 3/4" LG	2
9				
10				
11	72044-G02		MOUNT BRACKET	1
12	00643-G1		WASHER, 3/8"	2
13	11098-G5		LOCK NUT, 3/8 - 16	2
14				
15				
16				
17				
18				
19	00430-G4		BOLT, 3/8 - 16 X 4 1/2" LG	1
20	15121-G1		WASHER, 1 1/4" X 3/8"	1
21	72050-G01		PLASTIC WASHER, 2 1/2" x 5/8"	4
22	72051-G01		WASHER, 2 1/2" X 5/8"	2
23	72015-G01		ISOLATION MOUNT	1
24	72051-G02		WASHER, 2 1/2" X 11/32"	1
25	11098-G5		LOCK NUT, 3/8 - 16	1
26				
27				
28	72719-G01		ENGINE GUARD.....	1
29	00463-G4		BOLT, 7/16 - 14 X 1 1/2" LG	4
30	00566-G2		LOCK WASHER, 7/16"	4

ENGINE MOUNTING

Where applicable, THE USE OF NON UL PARTS WILL VOID ANY UL LISTING.

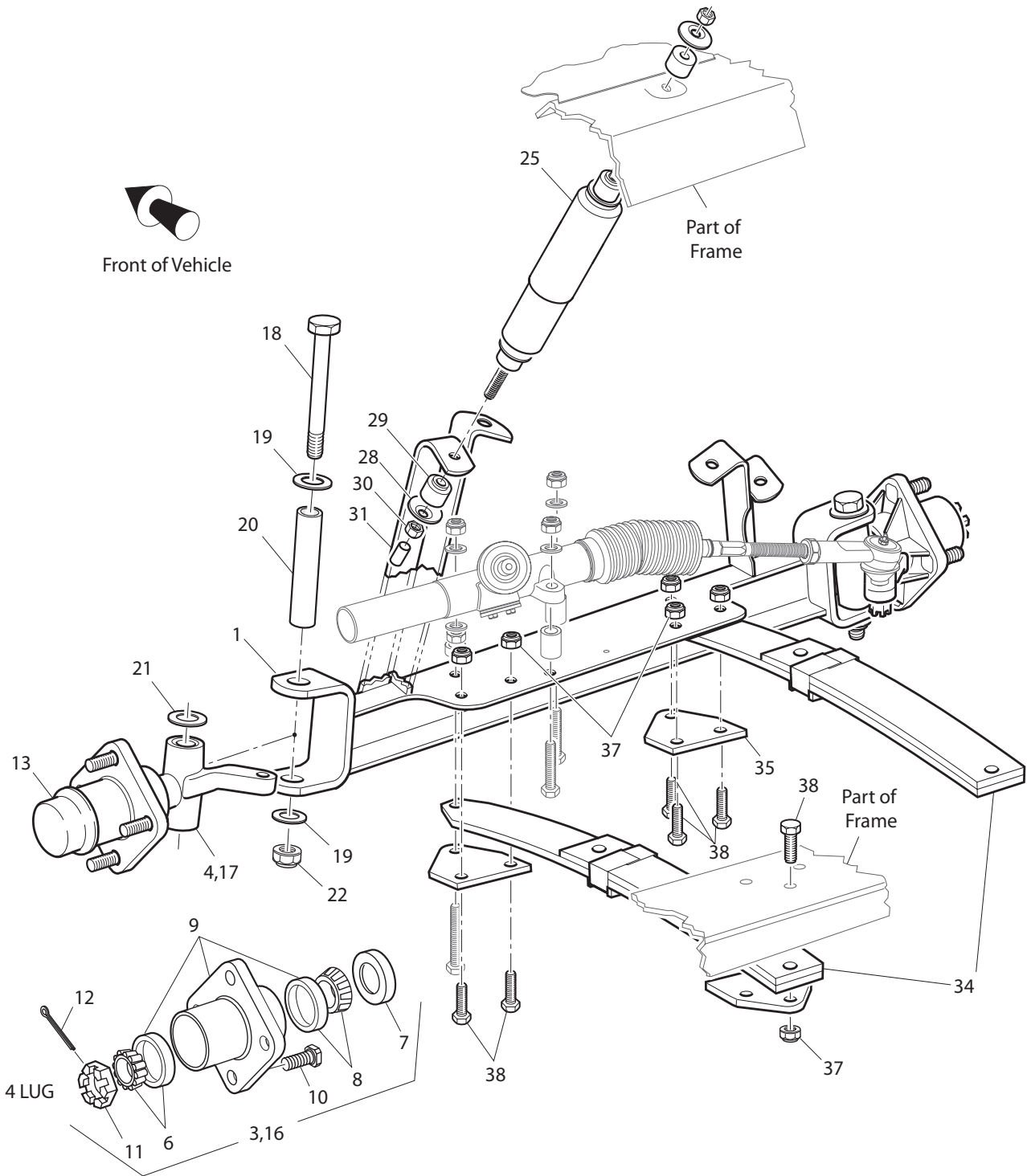
When ordering parts, please specify the model and serial number of the product.

* Indicates a component that is not available as an individual part.

G** Indicates consult Customer Service Department for additional information.

ITEM	PART NO.	1 2 3 4 5	DESCRIPTION	QTY.
31	00922-G3		WASHER, 7/16"	4
32				
33				
34	00439-G2		BOLT, 5/16 - 18 X 1 1/8" LG	1
35	11098-G6		LOCK NUT, 5/16 - 18	1
36				
37				
38	72035-G01		'U' BOLT, 7/16 - 14	2
39	00922-G3		WASHER, 7/16"	4
40	00734-G1		LOCK NUT, 7/16 - 14	4

FRONT SUSPENSION/STEERING

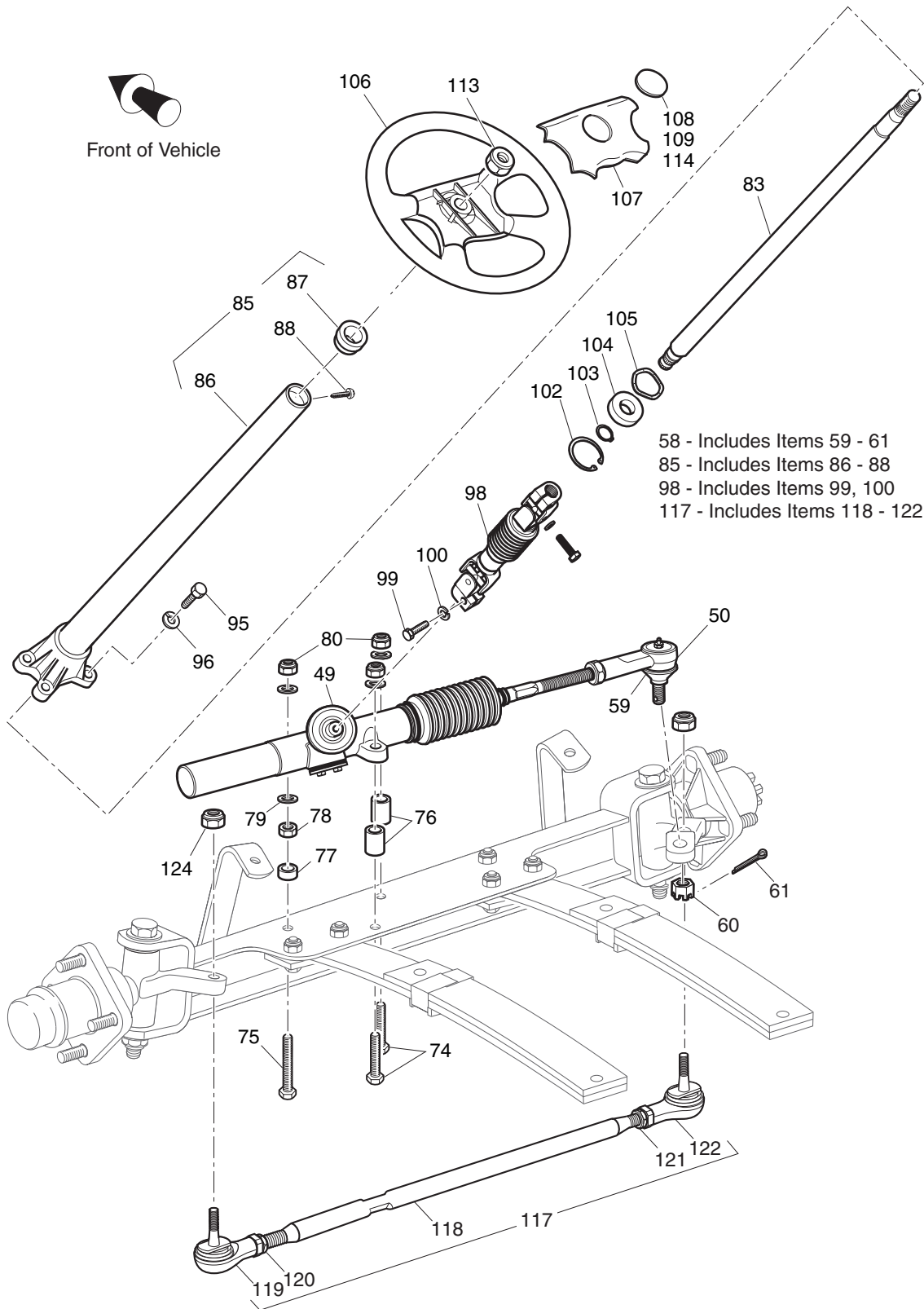


- 3 - Includes Items 4 -13
- 9 - Includes Item 10
- 16 - Includes Items 7 - 13, 17

*NOTE: Tie Rod Not Shown for Clarity

Ref Fss 21-1

FRONT SUSPENSION/STEERING



Ref Fss 21-2

FRONT SUSPENSION/STEERING

THE USE OF NON U.L. PARTS WILL VOID ANY U.L. LISTING.

When ordering parts, please specify the model and serial number of the product.

* Indicates a component that is not available as an individual part.

G** Indicates consult Customer Service Department for additional information.

ITEM	PART NO.	1 2 3 4 5	DESCRIPTION	QTY.
1	602513		FRONT AXLE	1
2				
3	70942-G03		SPINDLE AND HUB ASSEMBLY, 4 LUG (PASSENGER SIDE) (INCLUDES ITEMS 4 - 13).....	1
4	70940-G04		SPINDLE ASSEMBLY (PASSENGER SIDE) (INCLUDES ITEMS 5 - 6).....	1
5	70648-G01		BEARING	1
6	70749-G01		BEARING, DP4.....	1
7	25146-G1		GREASE SEAL.....	1
8	50892-G1		ROLLER BEARING AND RACE ASSEMBLY.....	2
9	70589-G1		WHEEL HUB ASSEMBLY WITH RACES, 4 LUG (INCLUDES ITEM 10)	1
10	19862-G1		LUG BOLT, 1/2 - 20 X 1 7/32" LG.....	4
11	12093-G1		SLOTTED NUT, 1 - 14	1
12	00798-G8		COTTER PIN, 5/32" X 1 3/4" LG	1
13	12091-G2		SPINDLE CAP	2
14				
15				
16	70673-G03		SPINDLE AND HUB ASSEMBLY, 4 LUG (DRIVER SIDE) (INCLUDES ITEMS 7 - 13 & 17)	1
17	70742-G02		SPINDLE ASSEMBLY (DRIVER SIDE) (INCLUDES ITEMS 5 - 6)	1
18	00407-G6		BOLT, 1/2 - 13 X 6" LG	2
19	00560-G3		WASHER, 1/2"	4
20	70745-G01		KING PIN TUBE	2
21	70754-G01		THRUST WASHER (STAINLESS STEEL).....	2
22	14390-G6		LOCK NUT, 1/2 - 13	2
23				
24				
25	76419-G01		SHOCK ABSORBER.....	2
26				
27				
28	10435-G1		SHOCK ABSORBER WASHER.....	8
29	10194-G1		RUBBER SHOCK ABSORBER BUSHING	8

FRONT SUSPENSION/STEERING

THE USE OF NON U.L. PARTS WILL VOID ANY U.L. LISTING.

When ordering parts, please specify the model and serial number of the product.

* Indicates a component that is not available as an individual part.

G** Indicates consult Customer Service Department for additional information.

ITEM	PART NO.	1 2 3 4 5	DESCRIPTION	QTY.
30	00532-G6		NUT, 3/8 - 24	4
31	10044-G01		VINYL CAP	2
32				
33				
34	70664-G03		LEAF SPRING (HEAVY DUTY) (SEE PART NUMBER ON SPRING).....	2
35	70163-G03		SPRING PLATE	4
36				
37	00734-G1		LOCK NUT, 7/16 - 14	11
38	00463-G11		BOLT, 7/16 - 14 X 1 3/4" LG	11
39				
40				
41	70964-G02		RACK AND PINION UNIT (COMPLETE) (INCLUDES ITEMS 42 - 65)	1
42	70965-G01		STEERING RACK COVER & BEARING	1
43	*		STEERING BOX INSTALLATION TAG	1
44	*		JAM NUT, 1/2 - 20.....	1
45	70750-G01		RETAINING RING (EXTERNAL)	1
46	15115-G1		BALL BEARING	1
47	70603-G01		PINION.....	1
48	70751-G01		RETAINING RING (INTERNAL)	1
49	70638-G01		SEAL PINION	1
50	70604-G01		RACK STEERING.....	1
51	01053-G01		SCREW, 10- 32.....	1
52	70590-G01		RACK LOADER	1
53	70666-G01		SPRING COMPRESSION	1
54	70645-G01		GASKET RACK LOADER.....	1
55	70591-G01		COVER RACK LOADER	1
56	71102-G01		SCREW, 1/4 - 20.....	2
57	10389-G3		GREASE FITTING, STRAIGHT	1
58	70695-G01		RACK BALL JOINT (INCLUDES ITEMS 59 - 61).....	1
59	50641-G1		RUBBER BOOT	1

FRONT SUSPENSION/STEERING

THE USE OF NON U.L. PARTS WILL VOID ANY U.L. LISTING.

When ordering parts, please specify the model and serial number of the product.

* Indicates a component that is not available as an individual part.

G** Indicates consult Customer Service Department for additional information.

ITEM	PART NO.	1	2	3	4	5	DESCRIPTION	QTY.
60	50209-G2						SLOTTED NUT, 7/16 - 20.....	1
61	10387-G2						COTTER PIN, 3/32" X 1" LG.....	1
62	74694-G01						ROD END (INNER).....	1
63	70961-G01						RACK BOOT.....	1
64	12416-G2						WIRE TIE.....	1
65	11391-G8						WIRE TIE.....	1
66								
67								
68								
69								
70								
71								
72								
73								
74	00464-G6						BOLT, 7/16 - 14 X 2 3/4" LG.....	2
75	01068-G01						BOLT, 7/16 - 14 X 3 1/2" LG.....	1
76	70667-G02						SPACER.....	2
77	70667-G03						SPACER (SHORT).....	1
78	00532-G7						NUT, 7/16 - 14.....	1
79	00560-G2						FLAT WASHER, 7/16".....	7
80	00734-G1						LOCK NUT, 7/16 - 14.....	3
81								
82								
83	70607-G01						STEERING SHAFT.....	1
84								
85	70758-G05						STEERING COLUMN KIT (INCLUDES ITEMS 86 - 88).....	1
86	70610-G03						STEERING COLUMN.....	1
87	28569-G01						STEERING COLUMN BUSHING.....	1
88	01022-G01						SCREW, #6 - 20 X 5/16" LG.....	1
89								

FRONT SUSPENSION/STEERING

THE USE OF NON U.L. PARTS WILL VOID ANY U.L. LISTING.

When ordering parts, please specify the model and serial number of the product.

* Indicates a component that is not available as an individual part.

G** Indicates consult Customer Service Department for additional information.

ITEM	PART NO.	1 2 3 4 5	DESCRIPTION	QTY.
90				
91				
92				
93				
94				
95	01006-G01		BOLT, 3/8 - 16 X 1 1/4" LG WITH PATCHLOCK	4
96	00879-G1		LOCK WASHER, 3/8".....	4
97				
98	70580-G01		INTERMEDIATE SHAFT (INCLUDES ITEMS 99, 100).....	1
99	01055-G01		BOLT, M8 X 1 1/4" LG.....	2
100	00565-G8		LOCK WASHER, 5/16"	2
101				
102	70751-G01		RETAINING RING (INTERNAL).....	1
103	70888-G01		RETAINING RING (EXTERNAL).....	1
104	15112-G1		BALL BEARING	1
105	70887-G01		WAVE WASHER.....	1
106	602980		STEERING WHEEL	1
107	71147-G01		STEERING WHEEL COVER	1
108	74815-G01		LABEL (E-Z-GO)	1
109	74954-G01		LABEL (CUSHMAN).....	1
110				
111				
112				
113	14390-G2		LOCK NUT, 5/8 - 18	1
114	28909-G01		LABEL (JACOBSEN)	1
115				
116				
117	74604-G01		TIE ROD ASSEMBLY (INCLUDES ITEMS 118 - 122)	1
118	74603-G01		THREADED ROD (24" LG).....	1
119	70902-G01		TIE ROD END (LEFT HAND THREADS)	1

FRONT SUSPENSION/STEERING

THE USE OF NON U.L. PARTS WILL VOID ANY U.L. LISTING.

When ordering parts, please specify the model and serial number of the product.

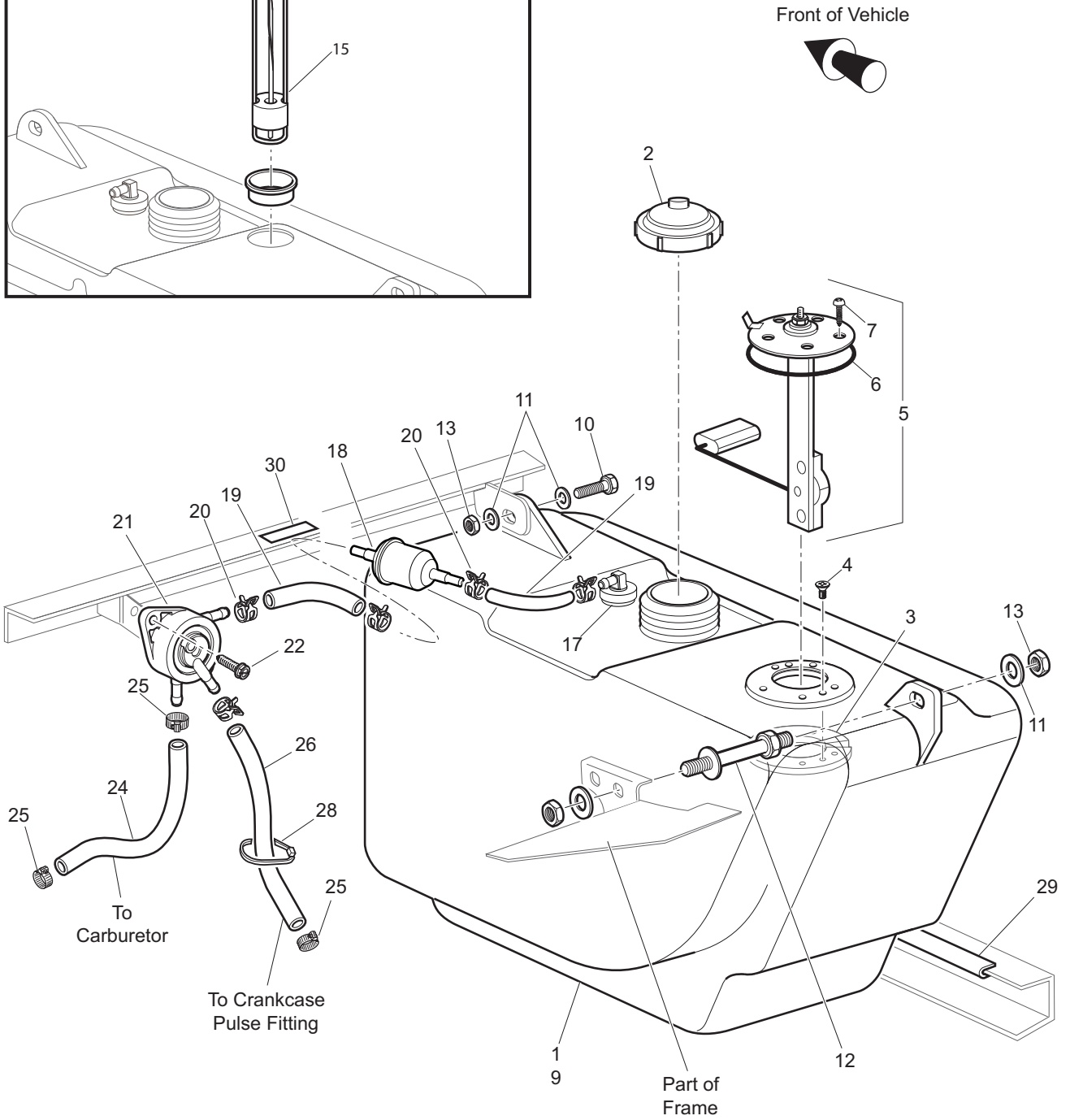
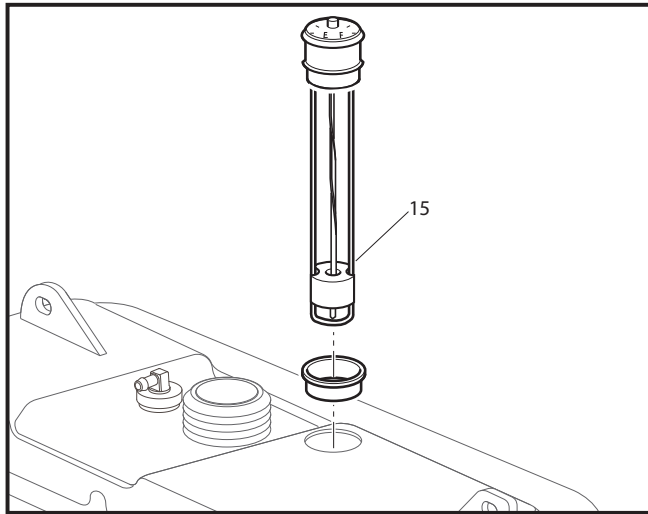
* Indicates a component that is not available as an individual part.

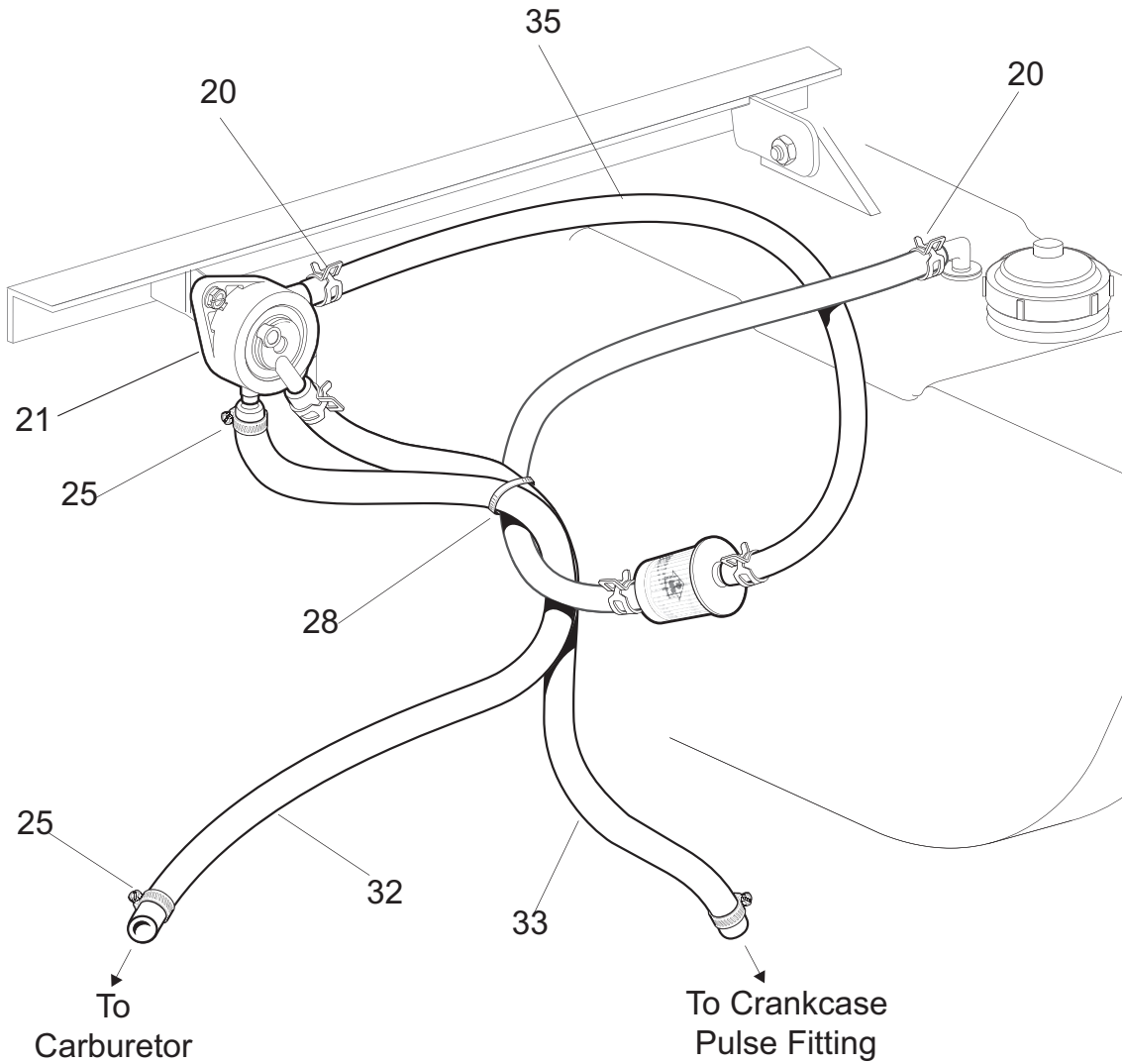
G** Indicates consult Customer Service Department for additional information.

ITEM	PART NO.	1	2	3	4	5	DESCRIPTION	QTY.
120	01069-G01						JAM NUT, M12 X 1.25-05 (LEFT HAND THREADS).....	1
121	70902-G02						TIE ROD END (RIGHT HAND THREADS).....	1
122	01069-G02						JAM NUT, M12 X 1.25-05 (RIGHT HAND THREADS)	1
123								
124	00734-G1						LOCK NUT, 7/16 - 14	2

FUEL SYSTEM

MECHANICAL GAUGE





CALIFORNIA EMISSION REQUIREMENT

FUEL SYSTEM

Where applicable, THE USE OF NON UL PARTS WILL VOID ANY UL LISTING.

When ordering parts, please specify the model and serial number of the product.

* Indicates a component that is not available as an individual part.

G** Indicates consult Customer Service Department for additional information.

ITEM	PART NO.	1 2 3 4 5	DESCRIPTION	QTY.
1	605521		FUEL TANK (FOR VEHICLES WITHOUT GAUGE)	1
2	72282-G01		FUEL TANK CAP	1
3	72229-G01		FUEL LEVEL SENDER ADAPTER	1
4	72230-G01		SCREW, #6 - 32 X 1/2" LG.....	2
5	20048-G2		FUEL LEVEL SENDER (ELEC. FUEL GAUGE) (INCLUDES ITEMS 6, 7)	1
6	*		GASKET	1
7	72232-G01		SCREW, #10 - 32 x 3/4" LG.....	5
8				
9	605523		FUEL TANK (FOR ELECTRIC FUEL GAUGE).....	1
10	00438-G8		BOLT, 5/16 - 18 X 1" LG	1
11	00559-G8		WASHER, 5/16"	4
12	70483-G01		SPACER BOLT.....	1
13	11098-G6		LOCK NUT, 5/16 - 18 (STAINLESS STEEL)	3
14				
15	14099-G2		FUEL TANK CAP WITH GAUGE	1
16				
17	18287-G1		FUEL PICK UP TUBE	1
18	72084-G01		FUEL FILTER	1
19	17470-G1		FUEL SYSTEM TUBING, 14" LG, 1/4" ID X 1/2" OD (BULK).....	AR
20	18292-G1		CLAMP	5
21	72873-G01		FUEL PUMP	1
22	00114-G6		SCREW, 1/4 - 14 X 3/4" LG.....	2
23				
24	17470-G1		FUEL SYSTEM TUBING, 26" LG, 1/4"ID X 1/2" OD (BULK).....	AR
25	11391-G4		HOSE CLAMP, 1/4"	3
26	27184-G01		TUBING, 1/4" I.D. X 1/2" O.D. (BULK)	AR
27				
28	17618-G1		WIRE TIE	1
29	22280-G1		VINYL TRIM - BLACK, (BULK)	AR
30	26459-G01		LABEL (UNLEADED GASOLINE ONLY)	1

FUEL SYSTEM

Where applicable, THE USE OF NON UL PARTS WILL VOID ANY UL LISTING.

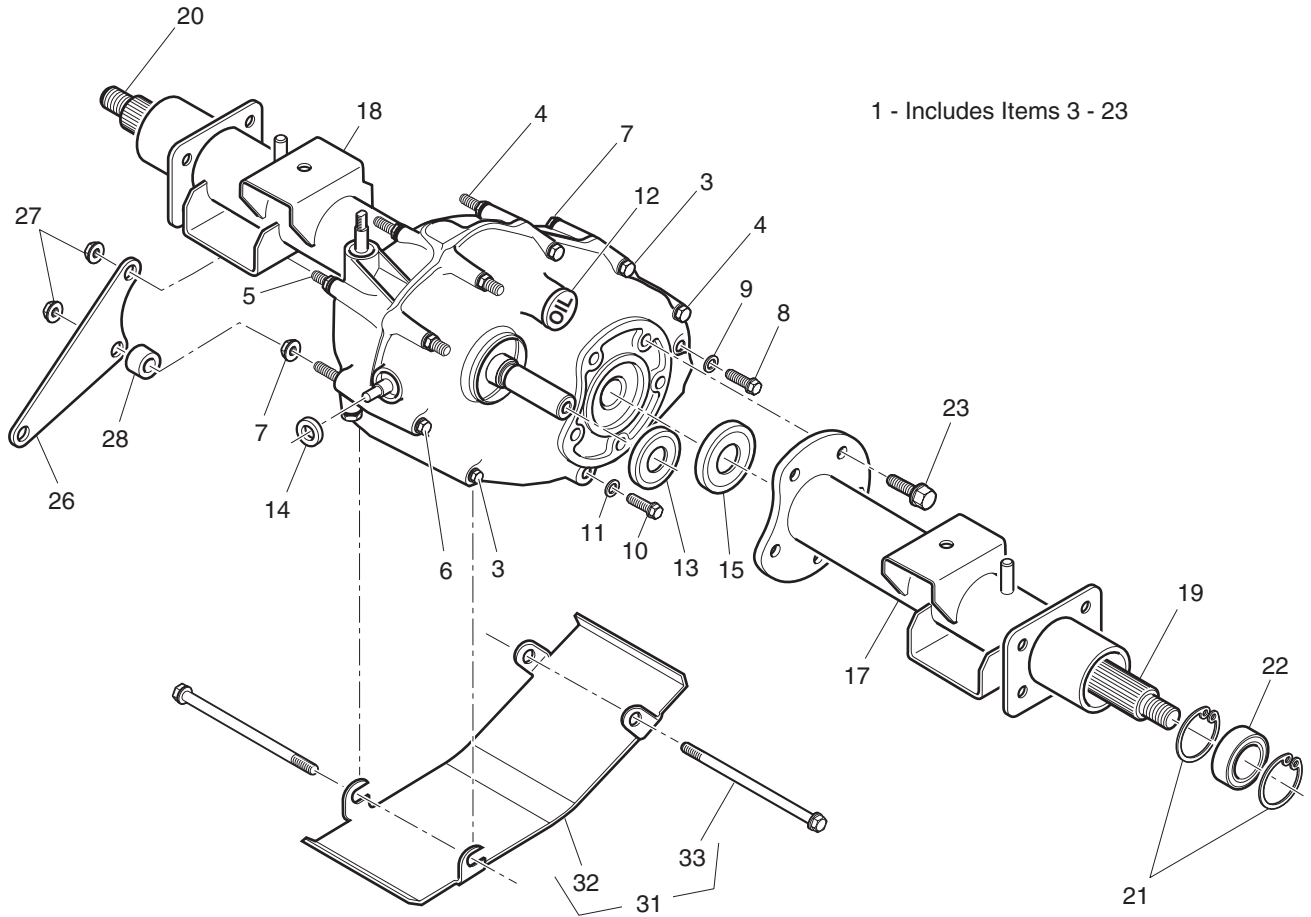
When ordering parts, please specify the model and serial number of the product.

* Indicates a component that is not available as an individual part.

G** Indicates consult Customer Service Department for additional information.

ITEM	PART NO.	1 2 3 4 5	DESCRIPTION	QTY.
31				
32	608014		FUEL SYSTEM TUBING, 26" LG, 1/4"ID X 1/2" OD (BULK).....	AR
33	27184-G01		TUBING, 1/4" I.D. X 1/2" O.D. (BULK)	AR
34				
35	608014		FUEL SYSTEM TUBING, 14" LG, 1/4" ID X 1/2" OD (BULK).....	AR
36				
37				
38	604589		LABEL, CARB EMISSION (TOP OF TIMING BELT COVER).....	1

REAR AXLE



Ref Rax 6-1

REAR AXLE

THE USE OF NON U.L. PARTS WILL VOID ANY U.L. LISTING.

When ordering parts, please specify the model and serial number of the product.

* Indicates a component that is not available as an individual part.

G** Indicates consult Customer Service Department for additional information.

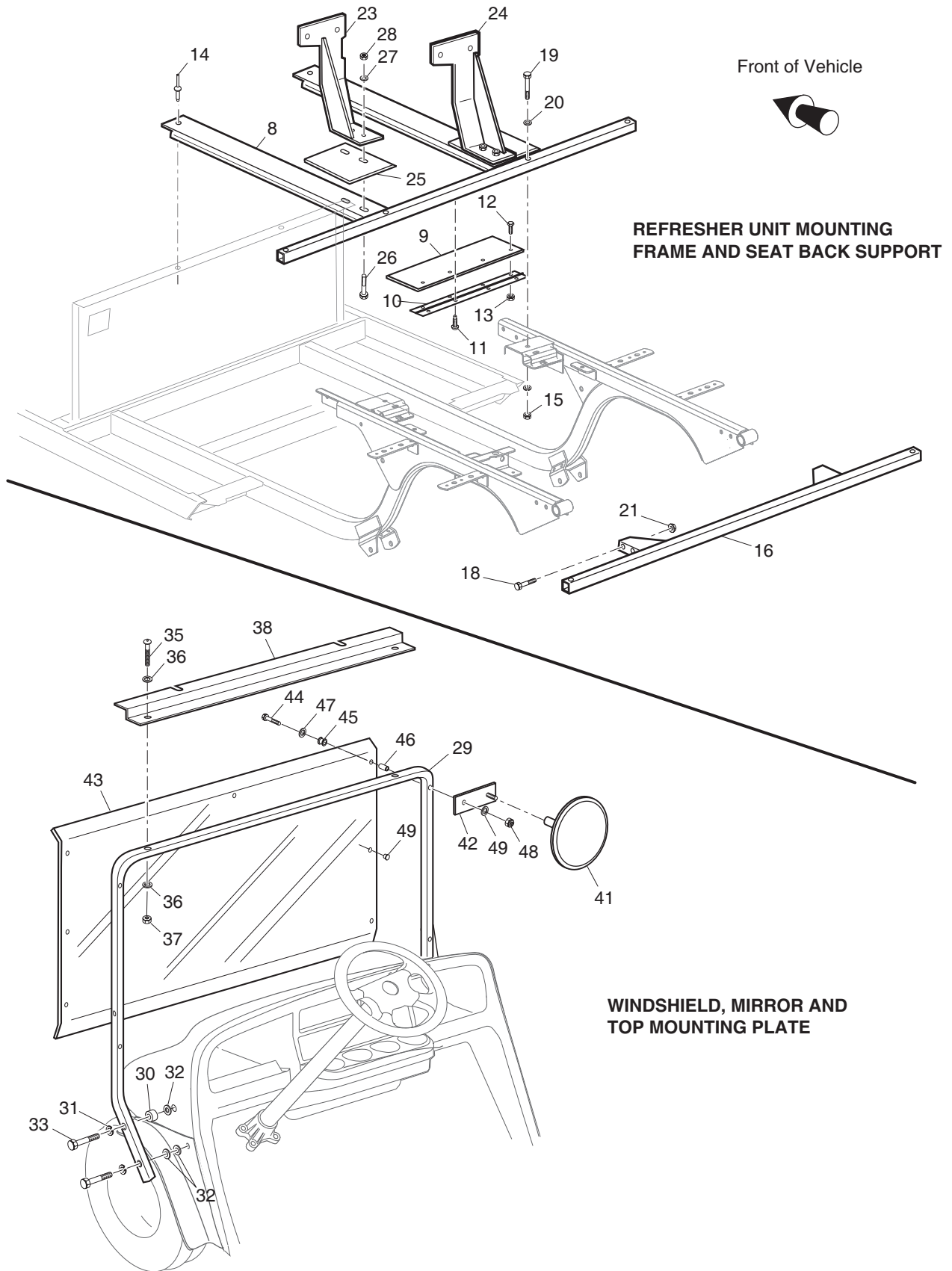
ITEM	PART NO.	1 2 3 4 5	DESCRIPTION	QTY.
1	74520-G01		REAR AXLE (13.32:1) (INCLUDES ITEMS 3 - 23)	1
2				
3	26823-G01		FLANGED BOLT, M8 X 1.25 X 100 MM LG.....	5
4	26824-G01		FLANGED BOLT, M8 X 1.25 X 110 MM LG	2
5	*		BOLT, M8 X 1.25 X 146 MM LG.....	2
6	72052-G01		FLANGED BOLT, M8 X 1.25 X 130 MM LG.....	1
7	72269-G01		FLANGE NUT, M8 X 1.25 MM	12
8	26768-G01		OIL CHECK PLUG.....	1
9	26769-G01		GASKET, 8 MM.....	1
10	26770-G01		OIL DRAIN PLUG	1
11	26771-G01		GASKET, 14 MM.....	1
12	26772-G01		OIL FILLER PLUG	1
13	26761-G01		INPUT SHAFT SEAL	1
14	26762-G01		SHIFTER SHAFT SEAL.....	1
15	72259-G01		AXLE SHAFT SEAL.....	2
16				
17	72249-G01		AXLE TUBE (DRIVER SIDE).....	1
18	72248-G01		AXLE TUBE (PASSENGER SIDE)	1
19	72056-G01		AXLE SHAFT (DRIVER SIDE).....	1
20	72057-G01		AXLE SHAFT (PASSENGER SIDE)	1
21	26814-G01		RETAINING RING.....	4
22	26811-G01		BALL BEARING	2
23	72260-G01		FLANGED BOLT, M10 X 1.5 X 23 MM LG.....	10
24				
25				
26	72017-G02		AXLE BRACKET	1
27	26830-G01		LOCK NUT, M8 X 1.25 MM	2
28	75048-G01		SPACER, 1/2".....	1
29				
30				

REAR AXLE

THE USE OF NON U.L. PARTS WILL VOID ANY U.L. LISTING.
 When ordering parts, please specify the model and serial number of the product.
 * Indicates a component that is not available as an individual part.
 G** Indicates consult Customer Service Department for additional information.

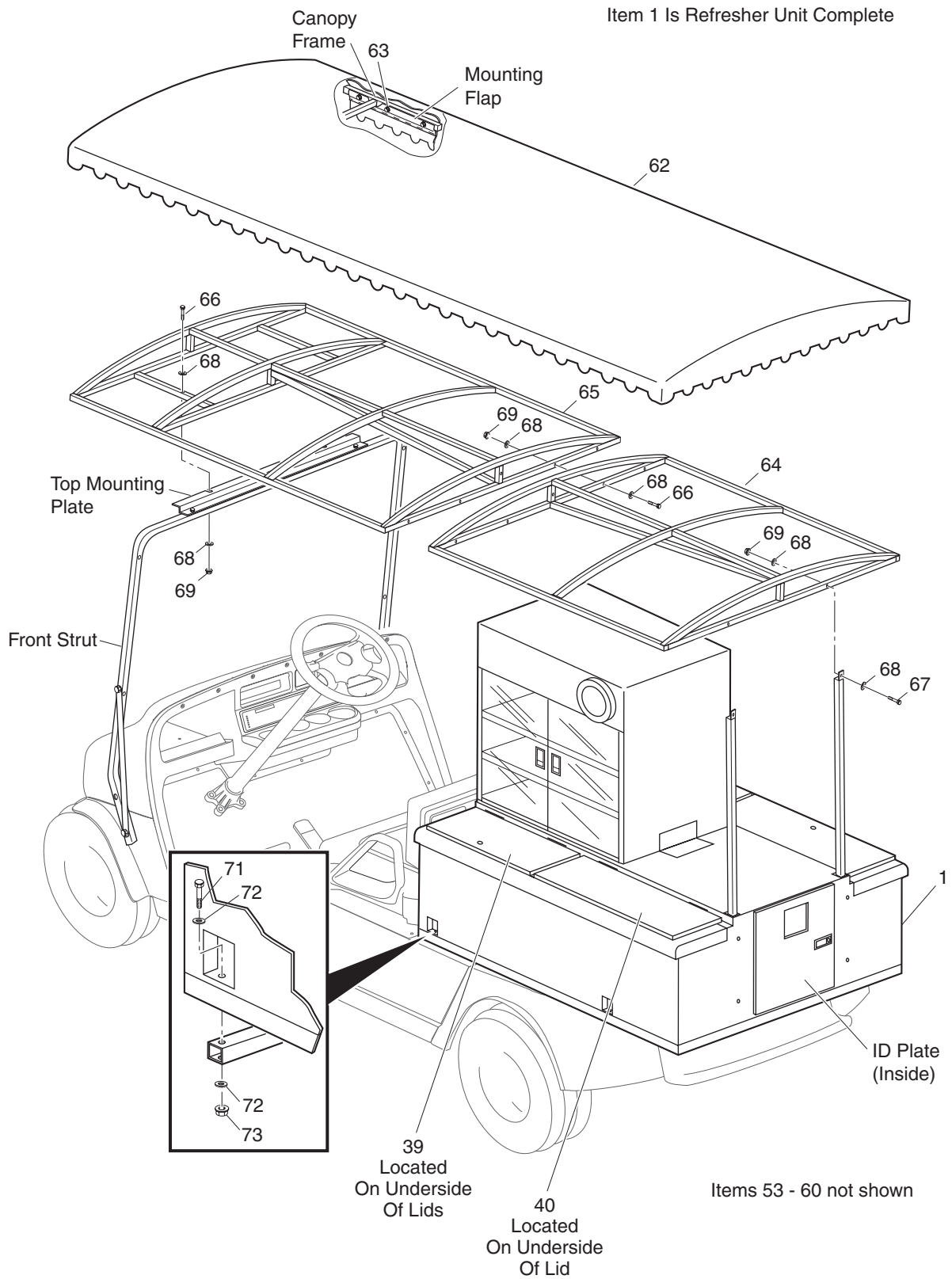
ITEM	PART NO.	1 2 3 4 5	DESCRIPTION	QTY.
31	72347-G02		DIFFERENTIAL SCUFF GUARD KIT (INCLUDES ITEMS 32 - 33)	1
32	72349-G02		DIFFERENTIAL SKID PLATE	1
33	26824-G01		FLANGED BOLT, M8 X 1.25 X 110 MM LG	2

REFRESHER UNIT



Ref Rfi 21-1

REFRESHER UNIT



Ref Rfi 21-2

REFRESHER UNIT

THE USE OF NON U.L. PARTS WILL VOID ANY U.L. LISTING.

When ordering parts, please specify the model and serial number of the product.

* Indicates a component that is not available as an individual part.

G** Indicates consult Customer Service Department for additional information.

ITEM	PART NO.	1 2 3 4 5	DESCRIPTION	QTY.
1	74434-G01		REFRESHER UNIT (COMPLETE) (INCLUDES ITEMS 3 - 49).....	1
2				
3				
4				
5				
6				
7				
8	74421-G02		REFRESHER UNIT MOUNTING FRAME (FRONT)	1
9	74392-G02		ENGINE ACCESS DOOR.....	1
10	33121-G01		ACCESS DOOR HINGE	1
11	00106-G6		SCREW, 12 - 24 X 3/4" LG	4
12	00414-G5		BOLT, 1/4 - 20 X 1/2" LG.....	4
13	00891-G2		LOCK NUT, 1/4 - 20	4
14	10570-G10		RIVET, 5/32" (STAINLESS STEEL)	2
15	11098-G6		LOCK NUT, 5/16 - 18	2
16	71545-G01		REFRESHER UNIT MOUNTING FRAME (REAR).....	1
17				
18	00427-G8		BOLT, 3/8 - 16 X 2" LG.....	4
19	00439-G8		BOLT, 5/16 - 18 X 2" LG.....	2
20	00559-G8		WASHER, 5/16"	4
21	11027-G5		LOCK NUT, 5/16 - 18	4
22				
23	70008-G01		SEAT BACK SUPPORT (DRIVER SIDE).....	1
24	70008-G02		SEAT BACK SUPPORT (PASSENGER SIDE)	1
25	74855-G01		SIDE COVER	2
26	00438-G8		BOLT, 5/16 - 18 X 1" LG	4
27	00559-G8		WASHER, 5/16"	4
28	11098-G6		LOCK NUT, 5/16 - 18	4
29	75045-G06		FRONT STRUT.....	1
30	75048-G01		SPACER	2

REFRESHER UNIT

THE USE OF NON U.L. PARTS WILL VOID ANY U.L. LISTING.
 When ordering parts, please specify the model and serial number of the product.
 * Indicates a component that is not available as an individual part.
 G** Indicates consult Customer Service Department for additional information.

ITEM	PART NO.	1	2	3	4	5	DESCRIPTION	QTY.
31	00905-G8						LOCK WASHER, 5/16" (BLACK)	4
32	00879-G1						WASHER, 3/8" X 1"	6
33	01035-G02						BOLT, 5/16 - 18 X 2 1/2" LG.....	4
34								
35	16705-G6						BOLT, 1/4 - 20 X 1 1/2" LG.....	2
36	00559-G7						WASHER, 1/4"	4
37	00891-G2						LOCK NUT, 1/4 - 20	2
38	74191-G02						TOP MOUNTING PLATE	1
39	36002-G01						DECAL (WARNING)	3
40	35991-G01						DECAL (WARNING)	1
41	74202-G01						MIRROR, 6"	2
42	74203-G02						MIRROR MOUNTING BRACKET.....	2
43	75021-G03						WINDSHIELD	1
44	16705-G6						BOLT, 1/4 - 20 X 1 3/4" LG.....	4
45	72147-G01						RUBBER GROMMET	4
46	23726-G7						SPACER	4
47	00660-G7						WASHER, 1/4"	8
48	00891-G2						LOCK NUT, 1/4 - 20	4
49	75124-G01						BUMPER.....	2
50								
51								
52							ITEMS 53 - 60 NOT SHOWN	
53	74346-G01						SIGN BOARD.....	2
54	75793-G01						CONDIMENT TRAY	1
55	75794-G01						BOTTLE CADDY	1
56	75795-G01						CASH DRAWER.....	1
57	75796-G01						MINI BOTTLE CARRIER.....	1
58	75797-G01						HUMIDOR	1
59	75798-G01						CREDIT CARD MACHINE MOUNT	1
60	75891-G01						FOOD WARMER.....	1

REFRESHER UNIT

THE USE OF NON U.L. PARTS WILL VOID ANY U.L. LISTING.

When ordering parts, please specify the model and serial number of the product.

* Indicates a component that is not available as an individual part.

G** Indicates consult Customer Service Department for additional information.

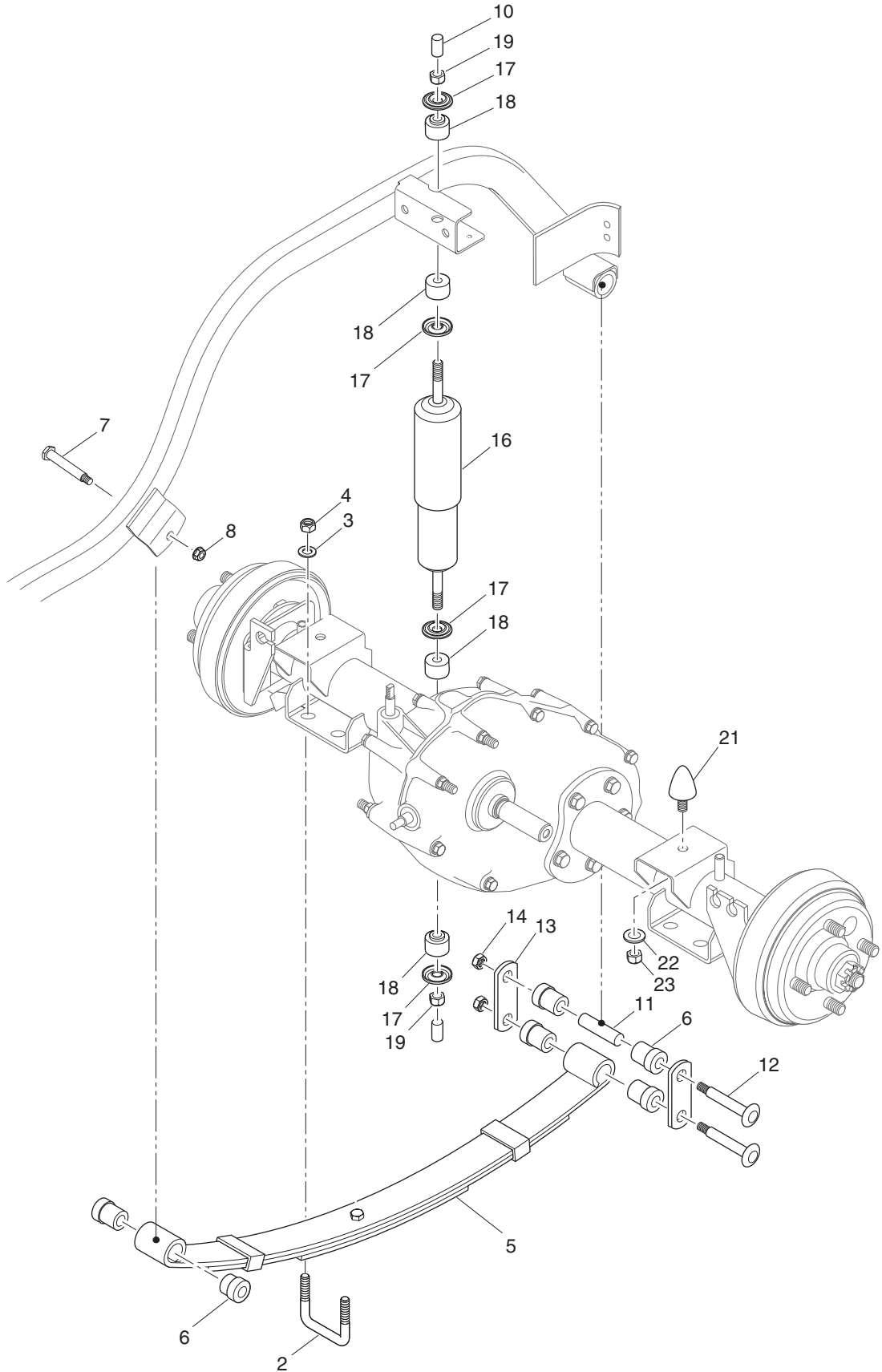
ITEM	PART NO.	1 2 3 4 5	DESCRIPTION	QTY.
61			THE FOLLOWING SERVICE PARTS AND ACCESORIES ARE AVAILABLE FROM 19TH HOLE MARKETING, INC, 400 E. COMSTOCK DRIVE, CHANDLER, AZ 85225, PHONE: (480) 497 - 8280	
62	EZRAM10064		CANOPY	1
63	H1092		SELF TAPPING SCREW, 10MM X 1/2" LG	40
64	EZRAM10060		CANOPY FRAME (REAR)	1
65	EZRAM10061		CANOPY FRAME (FRONT).....	1
66	H1075		BOLT, 1/4 - 20 X 2"	7
67	H1077		BOLT, 1/4 - 20 X 1 1/4" LG	2
68	H1079		WASHER, 1/4"	18
69	H1078		LOCK NUT, 1/4 - 20	9
70				
71	H1083		BOLT, 5/16 - 18 X 1 1/4" LG	4
72	H1019		WASHER, 5/16"	8
73	H1017		LOCK NUT, 5/16 - 18	4
74			ITEMS 75 - 106 NOT SHOWN	
75	EZRAM10033		COLD STORAGE DOOR, FRONT.....	1
76	EZRAM10037		COLD STORAGE DOOR, REAR	1
77	EZRAM10041		CONSUMABLE ICE DOOR	1
78	EZRAM10022		CANOPY UPRIGHT	1
79	EZRAM10069		HOSE MOUNTING BRACKET.....	1
80	H4007		COMPRESSION HINGE	1
81	EZRAM10075		TRASH DOOR HINGE	1
82	B6001		TRASH BIN	1
83	H4008		TRASH DOOR LATCH.....	1
84	EZRAM10045		TRASH DOOR COMPARTMENT.....	1
85	M6003		DOOR SEAL GASKET	1
86	H2006		LOCK (COLD STORAGE DOOR).....	1
87				
88	EZRAM10069		HOSE MOUNTING BRACKET.....	2
89	H5012		SPIGOT VALVE.....	2

REFRESHER UNIT

THE USE OF NON U.L. PARTS WILL VOID ANY U.L. LISTING.
 When ordering parts, please specify the model and serial number of the product.
 * Indicates a component that is not available as an individual part.
 G** Indicates consult Customer Service Department for additional information.

ITEM	PART NO.	1	2	3	4	5	DESCRIPTION	QTY.
90	H5000						DRAIN HOSE, 36" LG	1
91	H5007						HOSE ADAPTER, 3/4" X 1/2"	2
92	H5006						COMBINATION ELBOW	3
93	H5005						COMBINATION TEE	1
94	H1070						HOSE CLAMP	1
95								
96	B10000						TOUCH UP PAINT REPAIR KIT	1
97	EZRAM100010						DOOR ACCESSORY MODULE (LEFT).....	1
98	EZRAM100012						DOOR ACCESSORY MODULE (RIGHT)	1
99	H4009						LOCKING LATCH.....	1
100	B9001						CUP DISPENSER	1
101	B9002						CUP DISPENSOR COVER RING	1
102	B9003						CUP DISPENSOR COVER SPRING	1
103	B6011						AIRPOT, 3.75 LITER (STAINLESS STEEL)	1
104	EZRAM100020						AIRPOT RACK ASSEMBLY	1
105	H600						DOOR HINGE (STAINLESS STEEL)	1
106	M1002						CUSHIONING ADHESIVE TAPE	1

REAR SUSPENSION



Ref Rsp 21

REAR SUSPENSION

THE USE OF NON U.L. PARTS WILL VOID ANY U.L. LISTING.

When ordering parts, please specify the model and serial number of the product.

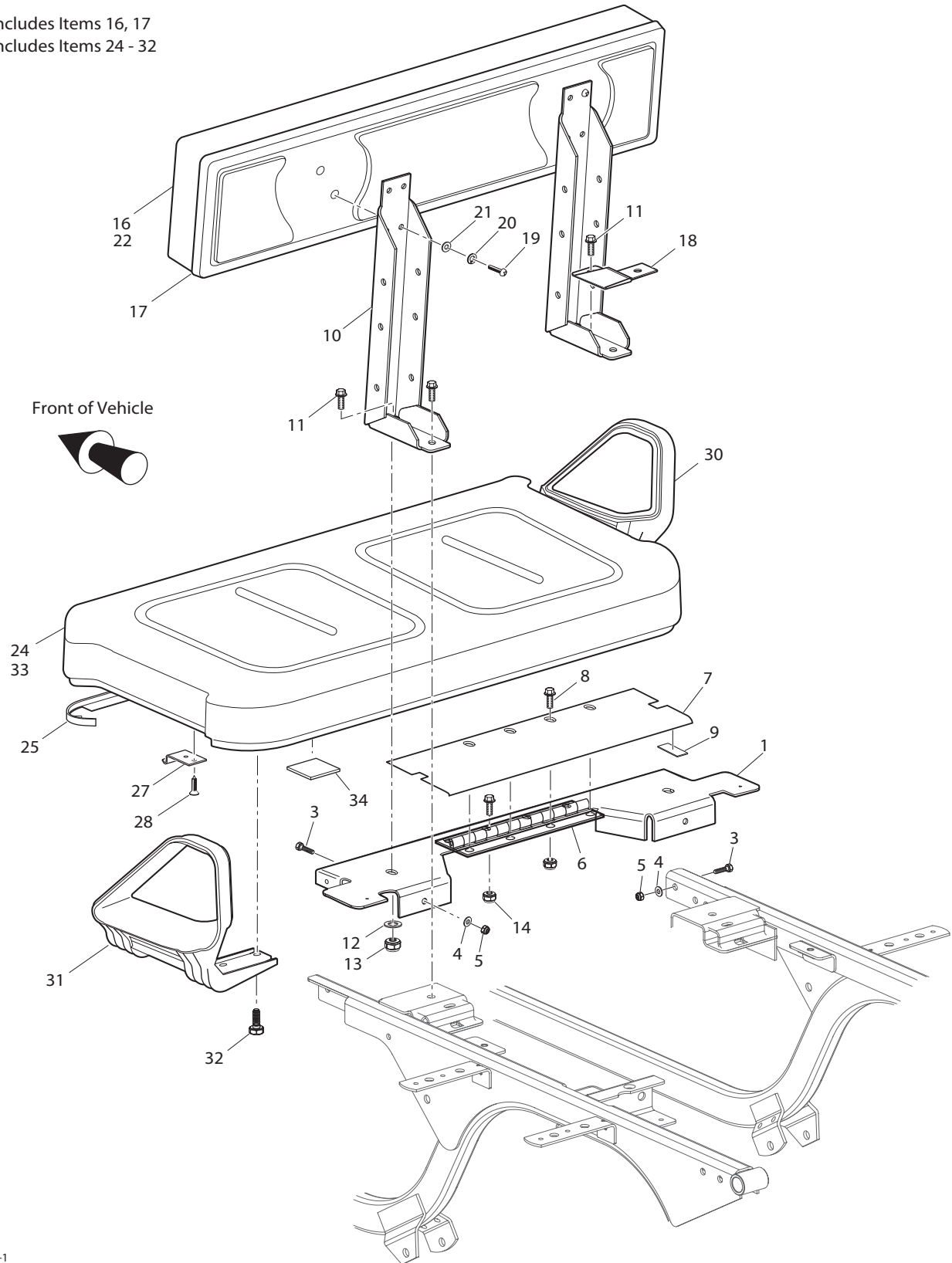
* Indicates a component that is not available as an individual part.

G** Indicates consult Customer Service Department for additional information.

ITEM	PART NO.	1 2 3 4 5	DESCRIPTION	QTY.
1				
2	72618-G01		'U' BOLT, 3/8 - 16	4
3	00560-G1		WASHER, 3/8"	8
4	11098-G5		LOCK NUT, 3/8 - 16	8
5	74345-G03		LEAF SPRING.....	2
6	70291-G01		FLANGED BUSHING	12
7	14158-G1		SHOULDER BOLT, 3/8 - 16 x 3 1/4" LG.....	2
8	12262-G1		LOCK NUT, 3/8 - 16	2
9				
10	10044-G01		VINYL CAP	4
11	70289-G02		SPACER	4
12	00665-G9		BOLT, 3/8 - 16 X 3 1/2" LG	4
13	70290-G02		SHACKLE PLATE	4
14	11098-G5		LOCK NUT, 3/8 - 16	4
15				
16	70248-G01		SHOCK ABSORBER.....	2
17	10435-G1		WASHER (SHOCK ABSORBER).....	8
18	10194-G1		RUBBER BUSHING	8
19	00532-G6		NUT, 3/8 - 24	4
20				
21	70492-G01		RUBBER BUMPER	2
22	00968-G01		LOCK WASHER, 10 MM	2
23	00974-G01		NUT, M10 X 1.5	2

SEATING

15 - Includes Items 16, 17
23 - Includes Items 24 - 32



Ref Sea 21-1

SEATING

Where applicable, THE USE OF NON UL PARTS WILL VOID ANY UL LISTING.

When ordering parts, please specify the model and serial number of the product.

* Indicates a component that is not available as an individual part.

G** Indicates consult Customer Service Department for additional information.

ITEM	PART NO.	1 2 3 4 5	DESCRIPTION	QTY.
1	71446-G02		SEAT BACK SUPPORT	1
2	00715-G2		BOLT, 5/16 - 18 X 13/16" LG	1
3	00438-G8		BOLT, 5/16 - 18 X 1" LG	4
4	00642-G8		WASHER, 5/16"	4
5	11098-G6		LOCK NUT, 5/16 - 18	4
6	33121-G01		HINGE	1
7	71558-G02		ACCESS COVER	1
8	00414-G5		BOLT, 1/4 - 20 X 1/2" LG	8
9	14382-G7		NOISE SUPPRESSOR	2
10	75900-G02		SEAT BACK SUPPORT BRACKET	2
11	01006-G01		BOLT, 3/8 - 16 X 1 1/4" LG	4
12	00560-G1		WASHER, 3/8"	4
13	11098-G5		LOCK NUT, 3/8 - 16	4
14	14390-G4		LOCK NUT, 1/4 - 20	8
15	71274-G**		SEAT BACK ASSEMBLY (INCLUDES ITEMS 16, 17)	1
16	18144-G**		VINYL SEAT BACK COVER	1
17	74889-G01		PLASTIC SEAT BACK COVER (BLACK)	1
18	74947-G01		BED BUMPER BRACKET	2
19	16705-G12		SCREW, 1/4 - 20 X 1" LG	4
20	00664-G7		LOCK WASHER, 1/4"	4
21	01110-G01		WASHER, 1/4"	4
22	604916-G**		TWO TONE VINYL SEAT BACK	1
23	71611-G**		SEAT BOTTOM ASSEMBLY (INCLUDES ITEMS 24 - 32)	1
24	71602-G**		VINYL SEAT BOTTOM COVER	1
25	71012-G01		VINYL TRIM (SEAT BOTTOM)	1
26				
27	71610-G01		SEAT HINGE	2
28	00720-G08		SCREW, #12 - 14 X 1" LG	6
29				
30	71701-G01		HIP RESTRAINT (PASSENGER SIDE)	1

SEATING

Where applicable, THE USE OF NON UL PARTS WILL VOID ANY UL LISTING.

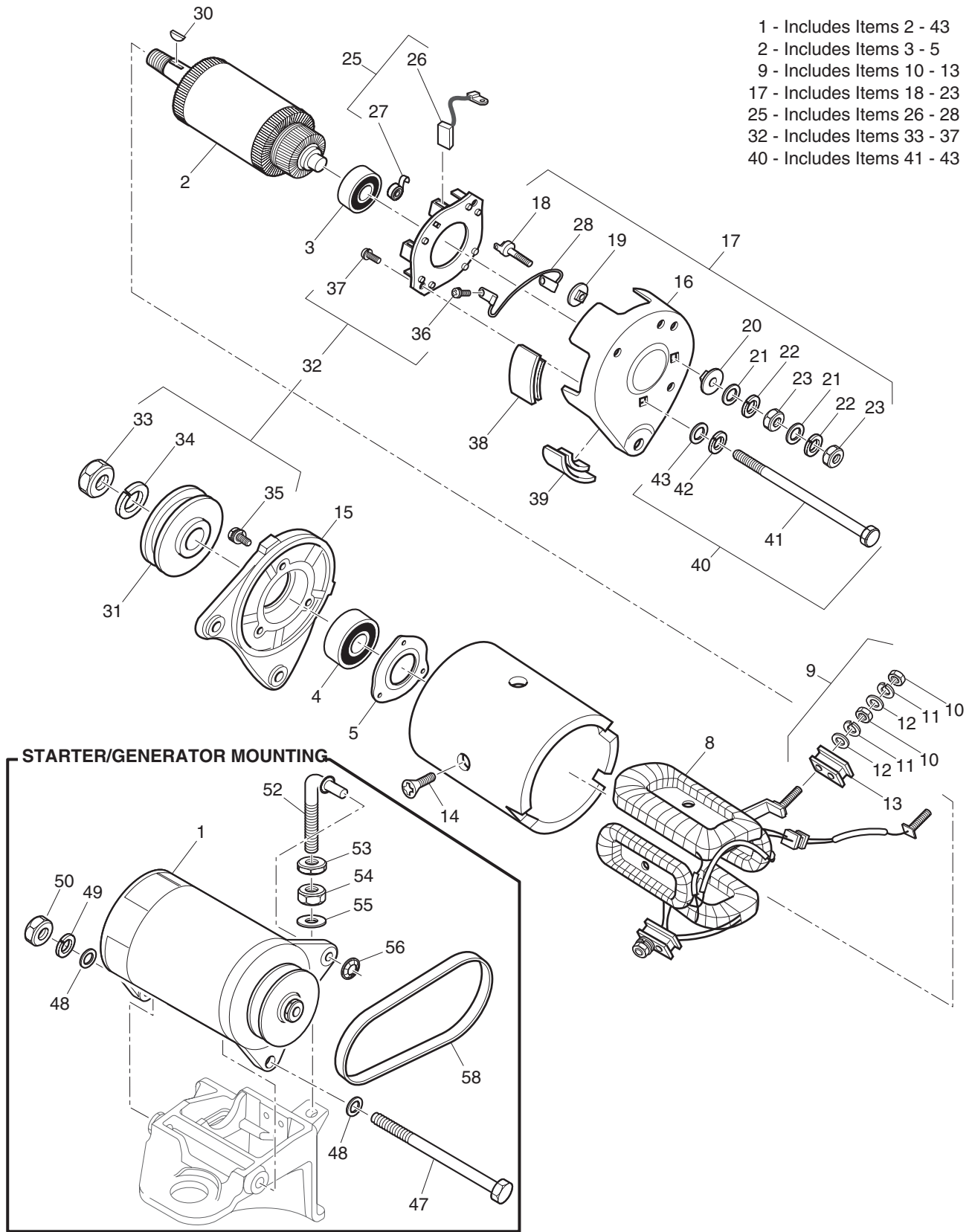
When ordering parts, please specify the model and serial number of the product.

* Indicates a component that is not available as an individual part.

G** Indicates consult Customer Service Department for additional information.

ITEM	PART NO.	1 2 3 4 5	DESCRIPTION	QTY.
31	71702-G01		HIP RESTRAINT (DRIVER SIDE)	1
32	71204-G01		BOLT, 1/4 - 20 X 7/8" LG.	8
33	604912-G**		TWO TONE VINYL SEAT BOTTOM	1
34	17074-G1		BUMPER	2

STARTER / GENERATOR



Ref Stg 6-1

STARTER / GENERATOR

THE USE OF NON U.L. PARTS WILL VOID ANY U.L. LISTING.

When ordering parts, please specify the model and serial number of the product.

* Indicates a component that is not available as an individual part.

G** Indicates consult Customer Service Department for additional information.

ITEM	PART NO.	1	2	3	4	5	DESCRIPTION	QTY.	
1	27065-G01	STARTER / GENERATOR (INCLUDES ITEMS 2 - 43).....							1
2	26870-G01	ARMATURE (INCLUDES ITEMS 3 - 5)							1
3	26871-G01	REAR BALL BEARING							1
4	26872-G01	FRONT BALL BEARING							1
5	26873-G01	BEARING HOLDER							1
6									
7									
8	26875-G01	FIELD COIL							1
9	26876-G01	INSULATING BRUSH ASSEMBLY ('F') (INCLUDES ITEMS 10 - 13).....							2
10	*	NUT							2
11	*	LOCK WASHER.....							2
12	*	WASHER.....							2
13	*	INSULATOR							1
14	26877-G01	POLE CORE SETSCREW.....							4
15	26878-G01	FRONT COVER.....							1
16	27879-G01	REAR COVER							1
17	26880-G01	TERMINAL ASSEMBLY ('A') (INCLUDES ITEMS 18 - 23).....							2
18	*	TERMINAL							2
19	*	INSULATOR							2
20	*	INSULATOR							2
21	*	WASHER.....							4
22	*	LOCK WASHER.....							4
23	*	NUT							4
24									
25	26881-G01	BRUSH HOLDER ASSEMBLY (INCLUDES ITEMS 26 - 28)							1
26	26658-G01	BRUSH.....							4
27	26882-G01	BRUSH SPRING							4
28	26883-G01	BRUSH CONNECTOR.....							2
29									
30	26884-G01	KEY.....							1

STARTER / GENERATOR

THE USE OF NON U.L. PARTS WILL VOID ANY U.L. LISTING.

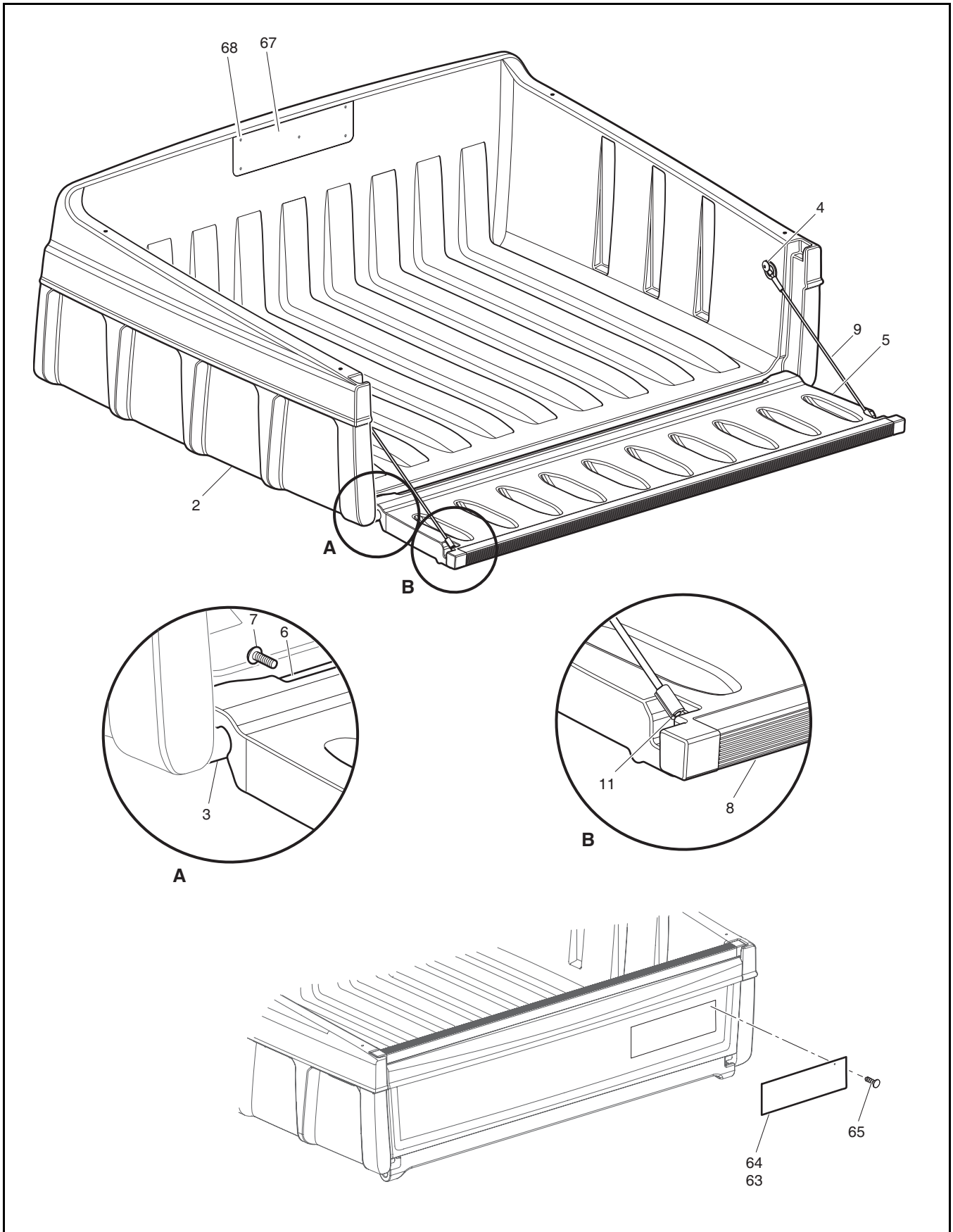
When ordering parts, please specify the model and serial number of the product.

* Indicates a component that is not available as an individual part.

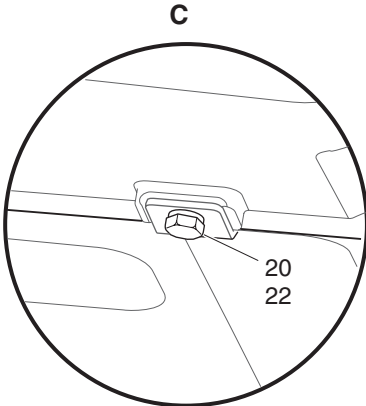
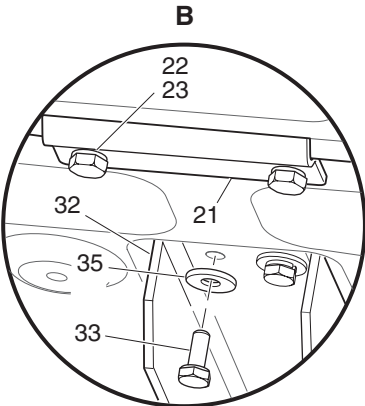
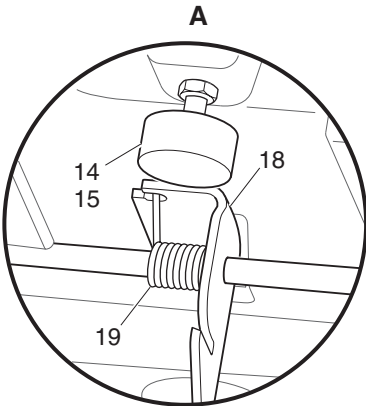
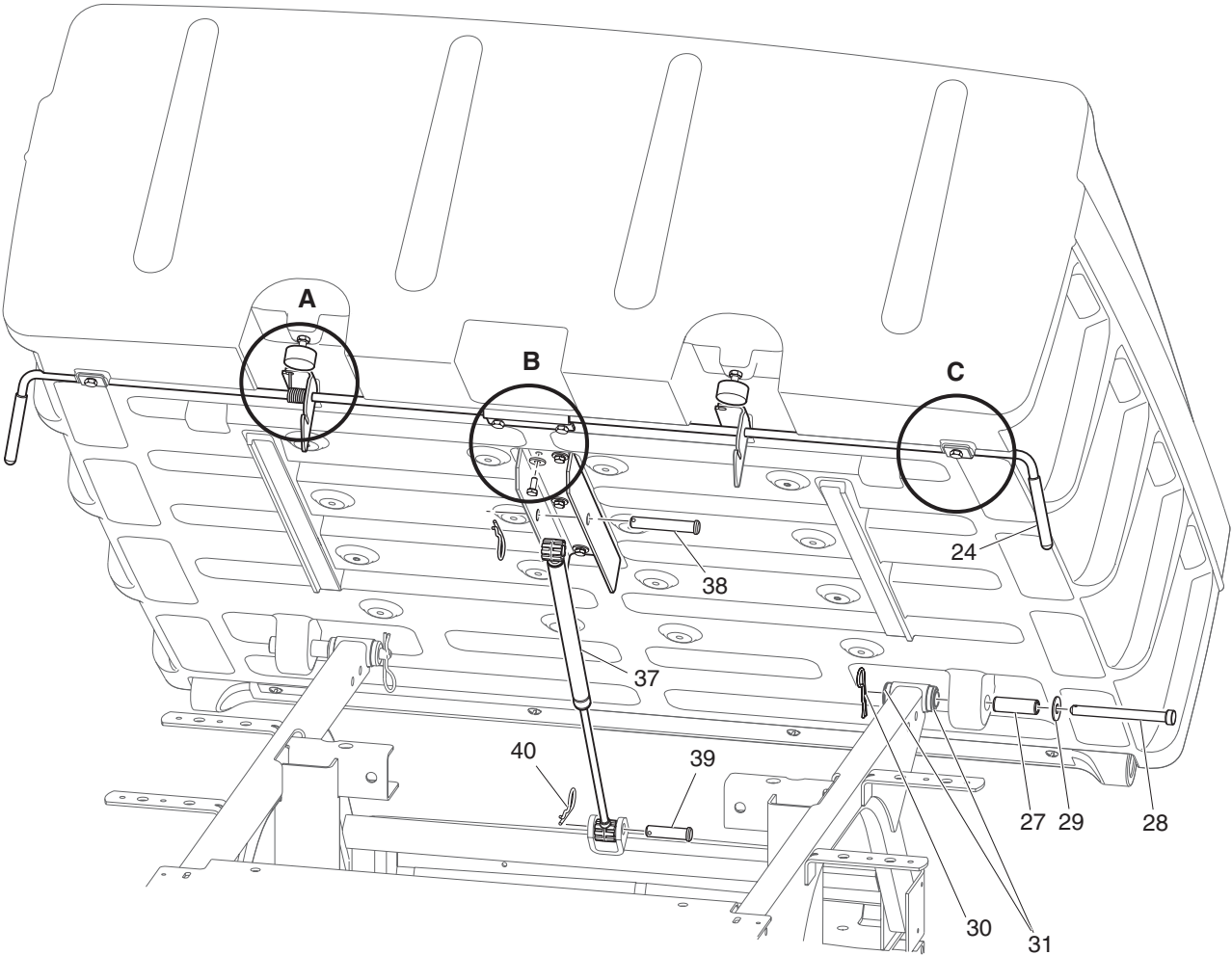
G** Indicates consult Customer Service Department for additional information.

ITEM	PART NO.	1	2	3	4	5	DESCRIPTION	QTY.
31	26885-G01						PULLEY	1
32	26886-G01						BRUSH AND PULLEY HARDWARE KIT (INCLUDES ITEMS 33 - 37).....	1
33	*						NUT	1
34	*						LOCK WASHER	1
35	*						SCREW	3
36	*						SCREW	4
37	*						SCREW	2
38	26887-G01						BRUSH 1 COVER.....	3
39	26888-G01						BRUSH 2 COVER.....	2
40	26889-G01						HOUSING HARDWARE KIT (INCLUDES ITEMS 41 - 43)	2
41	*						BOLT	2
42	*						LOCK WASHER	2
43	*						WASHER.....	2
44								
45								
46								
47	00938-G4						BOLT, 1/2 - 13 X 8" LG	1
48	00560-G3						WASHER, 1/2"	2
49	00566-G3						LOCK WASHER, 1/2".....	1
50	00533-G1						NUT, 1/2 - 13	1
51								
52	28617-G01						STARTER / GENERATOR ADJUSTER.....	1
53	00544-G5						JAM NUT, 3/8 - 16	1
54	00532-G5						NUT, 3/8 - 16	1
55	00560-G1						WASHER, 3/8"	1
56	12064-G4						PUSH NUT, 5/16"	1
57								
58	26414-G01						STARTER / GENERATOR BELT	1

TRUCK BED, PLASTIC

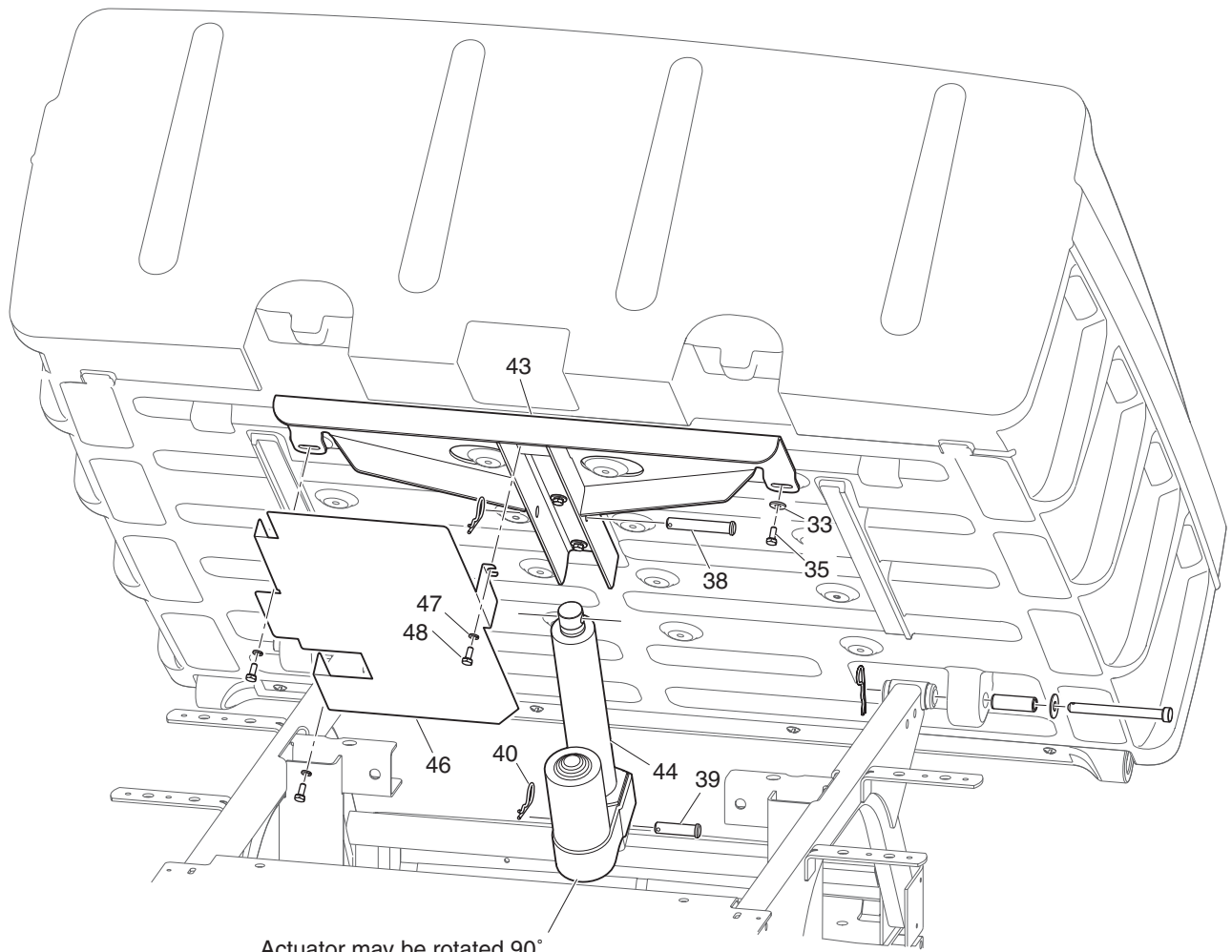


TRUCK BED, PLASTIC



Ref Tbp 21-2

TRUCK BED, PLASTIC



Actuator may be rotated 90°
on some models

Ref Tbp 21-3

TRUCK BED, PLASTIC

Where applicable, THE USE OF NON UL PARTS WILL VOID ANY UL LISTING.
 When ordering parts, please specify the model and serial number of the product.
 * Indicates a component that is not available as an individual part.
 G** Indicates consult Customer Service Department for additional information.

ITEM	PART NO.	1 2 3 4 5	DESCRIPTION	QTY.
1	73451-G01		BED ASSEMBLY, 40" (INCLUDES ITEMS 2 -11).....	1
2	73447-G01		PLASTIC BED, 40"	1
3	73454-G01		PIVOT SHAFT	2
4	73460-G01		SHOULDER BOLT, 1/4 - 20 X 3/4" LG.....	2
5	73448-G01		TAILGATE	1
6	73450-G01		BOWED ANGLE	1
7	16705-G2		SCREW, 1/4 - 20 X 5/8" LG (STAINLESS STEEL).....	4
8	73449-G01		EXTRUSION CHANNEL.....	1
9	73455-G01		TAILGATE CABLE	1
10				
11	00415-G2		SCREW, 1/4 - 20 X 5/8" LG (STAINLESS STEEL).....	2
12				
13				
14	70113-G01		ADJUSTABLE RUBBER BUMPER	2
15	11027-G1		LOCK NUT, 5/16 - 18	2
16				
17				
18	74962-G01		BED LATCH	1
19	71538-G01		LATCH TORSION SPRING.....	1
20	71099-G02		KEEPER PLATE.....	2
21	71477-G02		RETAINER BRACKET.....	1
22	01118-G01		SCREW, 1/4 - 20 X 5/8" LG.....	4
23				
24	71704-G01		HANDLE GRIP	2
25				
26				
27	71570-G01		BUSHING	2
28	71571-G01		CLEVIS PIN.....	2
29	00571-G5		WASHER, 1/2"	2
30	21683-G1		COTTER PIN.....	2

TRUCK BED, PLASTIC

Where applicable, THE USE OF NON UL PARTS WILL VOID ANY UL LISTING.

When ordering parts, please specify the model and serial number of the product.

* Indicates a component that is not available as an individual part.

G** Indicates consult Customer Service Department for additional information.

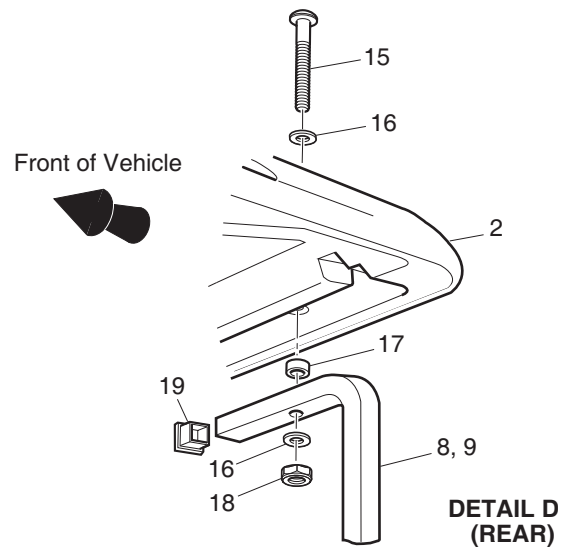
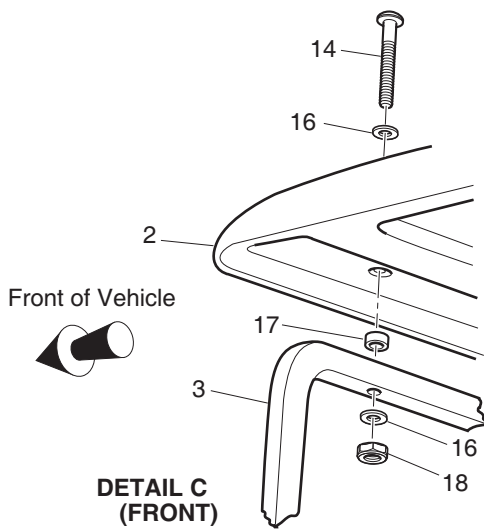
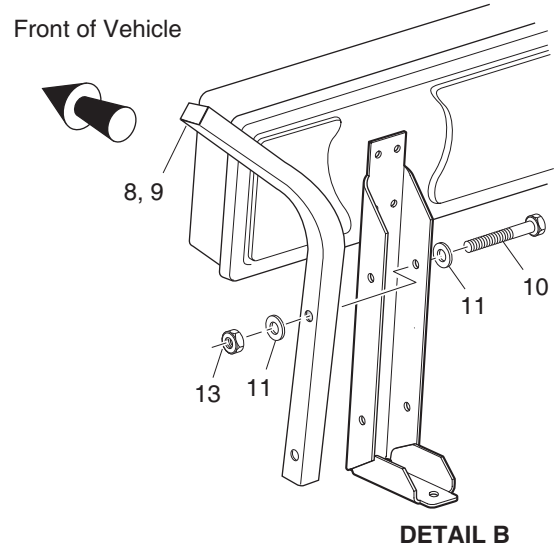
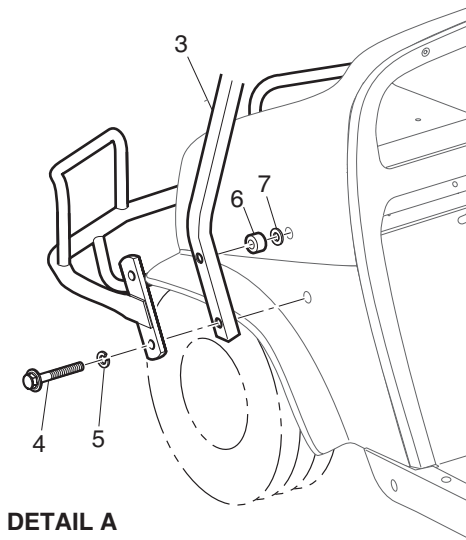
ITEM	PART NO.	1 2 3 4 5	DESCRIPTION	QTY.
31	70291-G01		BUSHING	4
32	71569-G02		SPRING CHANNEL	1
33	01118-G01		SCREW, 1/4 - 20 X 5/8" LG.....	8
34				
35	00642-G7		WASHER, 1/4"	8
36				
37	71537-G02		GAS SPRING	2
38	14443-G10		CLEVIS PIN, 1/2" X 2 27/32" LG.....	1
39	14443-G11		CLEVIS PIN, 1/2" X 1 3/4" LG.....	1
40	21683-G1		COTTER PIN,	2
41				
42				
43	71547-G02		OUTRIGGER CHANNEL	1
44	27612-G02		ELECTRIC ACTUATOR, 12 VOLT, 1500 LBS.....	1
45				
46	72339-G02		PLASTIC BED HEAT SHIELD (GASOLINE VEHICLE ONLY)	1
47	00642-G7		WASHER, 1/4"	2
48	01118-G01		SCREW, 1/4-20 X 5/8"	2
49				
50				
51				
52				
53				
54				
55				
56				
57				
58				
59				
60				

TRUCK BED, PLASTIC

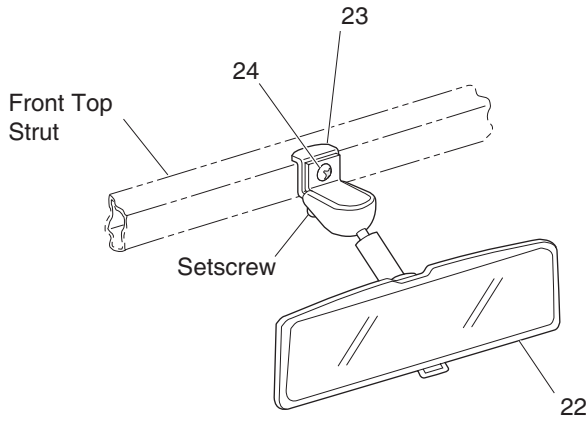
Where applicable, THE USE OF NON UL PARTS WILL VOID ANY UL LISTING.
 When ordering parts, please specify the model and serial number of the product.
 * Indicates a component that is not available as an individual part.
 G** Indicates consult Customer Service Department for additional information.

ITEM	PART NO.	1 2 3 4 5	DESCRIPTION	QTY.
61				
62				
63	600110		JACOBSEN PLATE	1
64	600108-G01		CUSHMAN PLATE	1
65	16816-G2		RATCHET FASTENER.....	4
66				
67	74821-G01		LOAD BED DECAL	1
68	71055-G01		RIVET	5

WEATHER PROTECTION



Ref Wea 20-1

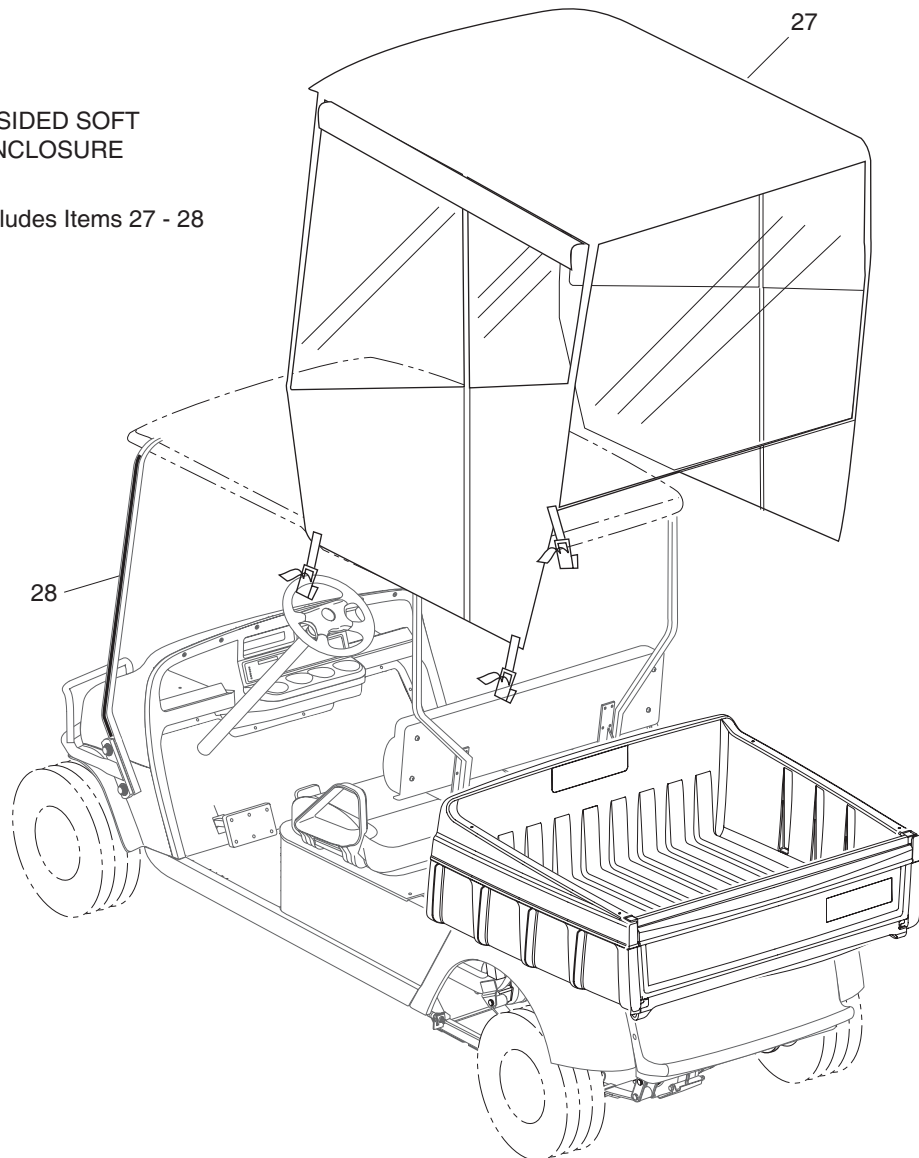


REAR VIEW MIRROR

21 - Includes Items 22 - 24

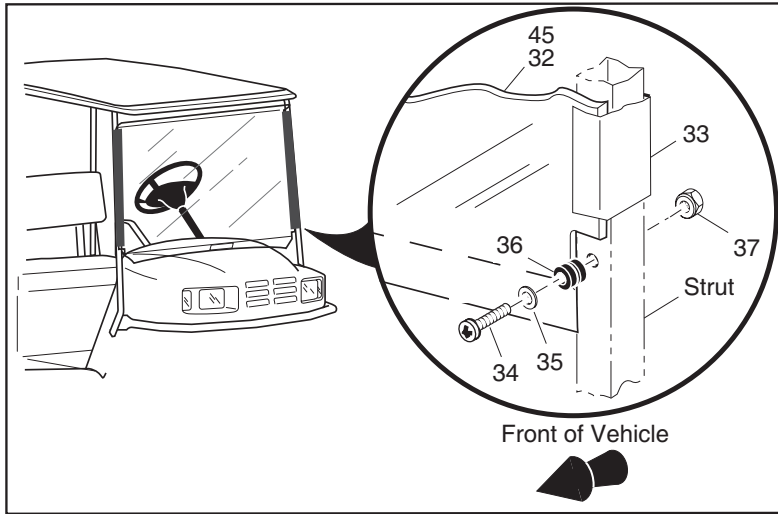
3-SIDED SOFT ENCLOSURE

26 - Includes Items 27 - 28

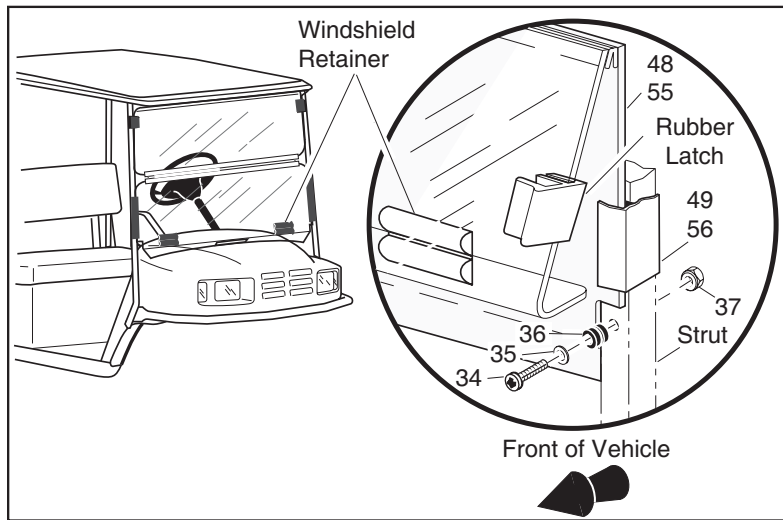


Ref Wea 20-2

WEATHER PROTECTION



- 44 - Includes item 45
- 47 - Includes item 48 - 49
- 54 - Includes item 55 - 56



Ref Wea 20-3

WEATHER PROTECTION

Where applicable, THE USE OF NON UL PARTS WILL VOID ANY UL LISTING.

When ordering parts, please specify the model and serial number of the product.

* Indicates a component that is not available as an individual part.

G** Indicates consult Customer Service Department for additional information.

ITEM	PART NO.	1 2 3 4 5	DESCRIPTION	QTY.
1	75040-G**		SUN TOP KIT (INCLUDES ITEMS 2 - 19)	1
2	27069-G01		SUN TOP	1
3	75045-G05		FRONT STRUT.....	1
4	00440-G2		BOLT, 5/16 - 18 X 2 1/4" LG.....	4
5	00905-G8		LOCK WASHER, 5/16"	4
6	75048-G01		SPACER, 1/2"	2
7	00570-G2		WASHER, 5/16"	6
8	75838-G04		REAR STRUT (PASSENGER SIDE).....	1
9	75838-G03		REAR STRUT (DRIVER SIDE).....	1
10	00685-G7		BOLT, 5/16 - 18 X 1 3/4" LG.....	4
11	01110-G03		WASHER, 5/16"	8
12				
13	11098-G6		LOCK NUT, 5/16 - 18.....	4
14	00753-G5		SCREW, 1/4 - 20 X 2" LG (STAINLESS STEEL).....	2
15	00753-G6		SCREW, 1/4 - 20 X 2 1/4" LG (STAINLESS STEEL).....	2
16	01110-G01		WASHER, 1/4" (STAINLESS STEEL).....	8
17	75051-G01		SPACER	4
18	00891-G2		LOCK NUT, 1/4 - 20.....	4
19	19853-G1		END CAP, 1"	2
20				
21	19528-G2		REAR VIEW MIRROR KIT (REQUIRES SUN TOP) (INCLUDES ITEMS 22 - 24).....	1
22	19496-G1		REAR VIEW MIRROR	1
23	19502-G2		SUPPORT BRACKET.....	1
24	19527-G1		SCREW, #8 - 32 X 5/8" LG (STAINLESS STEEL).....	1
25				
26	75367-G**		3-SIDED SOFT ENCLOSURE (REQUIRES SUN TOP) (INCL ITEMS 27 - 28)	1
27	*		ENCLOSURE.....	1
28	*		VELCRO	AR
29				

WEATHER PROTECTION

Replacement parts for the windshield may be obtained from Eagle Parts, Inc. 1411 Marvin Griffin Rd. Augusta, GA 30906. Telephone (706) 790-6687.

* Indicates a component that is not available as an individual part.

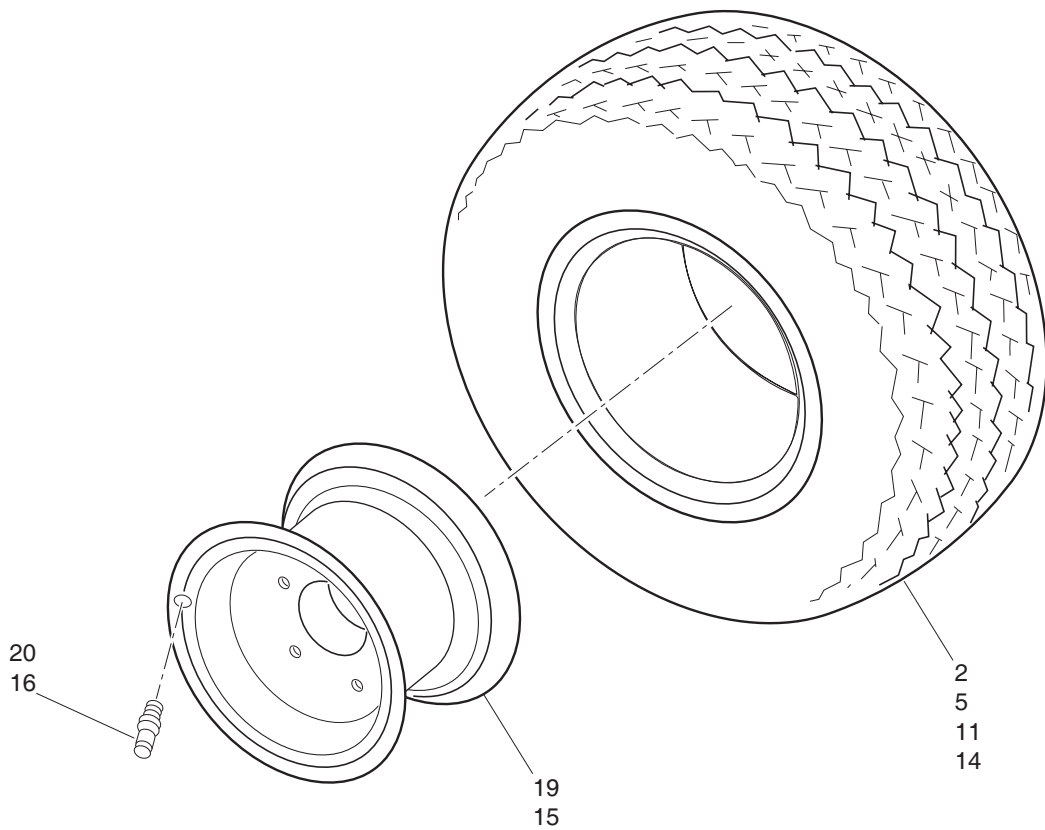
G** Indicates consult Customer Service Department for additional information.

ITEM	PART NO.	1	2	3	4	5	DESCRIPTION	QTY.
30								
31	71966-G01						WINDSHIELD KIT (FULL) (INCLUDES ITEMS 32 - 38)	1
32	71954-G01						WINDSHIELD (FULL) (LEXAN)	1
33	EGWHC12						SASH, 26" LG.	2
34	EGWHS12						BOLT, 1/4 - 20 X 1 3/4" LG. (STAINLESS STEEL)	2
35	EGWHG12						WASHER, 1/4" (STAINLESS STEEL)	4
36	EGWHG13						RUBBER GROMMET	2
37	EGWHN12						LOCK NUT, 1/4 - 20 (STAINLESS STEEL)	2
38	71963-G01						SAFETY LABEL.....	1
39								
40								
41								
42								
43								
44	71966-G03						WINDSHIELD KIT (FULL) (INCLUDES ITEMS 45, 33 - 37)	1
45	71960-G01						WINDSHIELD (FULL)	1
46								
47	71966-G04						WINDSHIELD KIT (SPLIT) (INCLUDES ITEMS 48, 49, 34 - 37)	1
48	71961-G01						WINDSHIELD (SPLIT).....	1
49	EGWHC10						SASH, 12" LG.	2
50								
51								
52								
53								
54	71966-G02						WINDSHIELD KIT (SPLIT) (INCLUDES ITEMS 55, 56, 34 - 37)	1
55	71955-G01						WINDSHIELD (SPLIT) (LEXAN).....	1
56	EGWHC10						SASH, 12" LG.	2

WHEELS AND TIRES

- 1 - Includes Items 2, 19, 20
- 4 - Includes Items 5, 19, 20
- 7 - Includes Items 8, 19, 20
- 13 - Includes Items 14, 15, 16

Tire design may vary by Part Number



Ref Whl 20-1



GOLD / SILVER SPOKE HUBCAP
22, 23

WHEELS AND TIRES

When ordering parts, please specify the model and serial number of the product.

* Indicates a component that is not available as an individual part.

G** Indicates consult Customer Service Department for additional information.

ITEM	PART NO.	1 2 3 4 5	DESCRIPTION	QTY.
1	28757-G01		TIRE AND WHEEL ASSEMBLY (LINKS 18 X 8.5 - 8) (INCLUDES ITEMS 2, 19, 20).....	1
2	28764-G01		TIRE (LINKS 18 X 8.5 - 8)	1
3				
4	28757-G03		WHEEL AND TIRE ASSEMBLY (TURF SAVER 18 X 8.5 - 8) (INCLUDES ITEMS 5, 19, 20).....	1
5	28764-G03		TIRE (TURF-SAVER 18 X 8.5 - 8)	1
6				
7	28842-G01		WHEEL AND TIRE ASSEMBLY) (USA TRAIL 18 X 8.5 - 8) (INCLUDES ITEMS 8 , 19, 20)	1
8	28764-G08		CARLISLE TIRE (18 X 8.5 - 8 LOAD RANGE C)	1
9				
10				
11				
12				
13	27784-G06		WHEEL AND TIRE ASSEMBLY, USA TRAIL (INCLUDES ITEMS 14, 15 16)	1
14	27784-G07		CARLISLE TIRE (USA TRAIL 5.70 X 8)	1
15	33678-G02		WHEEL RIM (4 LUG).....	1
16	26482-G01		VALVE STEM.....	1
17				
18				
19	28759-G01		WHEEL RIM (4 LUG).....	1
20	11657-G2		VALVE STEM.....	1
21				
22				
23	19241-G*		GOLD SPOKE HUBCAP (OPTIONAL)	A/R
24	19241-G*		SILVER SPOKE HUBCAP (OPTIONAL)	A/R

SPECIALTY PRODUCTS

SPECIALTY PRODUCTS

SPECIALTY PRODUCTS

SPECIAL TOOLS	PART NO.
HIGH RESISTANCE SPARK PLUG WIRE SET	26733-G02
CLUTCH PULLER (DRIVE)	19779-G2
FLYWHEEL PULLER	27111-G01
CURRENT INDICATOR	16489-G2
DIGITAL MULTI-METER	27481-G01
SLIDE HAMMER (AXLE/HUB REMOVAL)	15947-G1
SLIDE HAMMER (AXLE REMOVAL ONLY)	18753-G1
COMPRESSION TESTER	72524-G01
FEELER GAUGE	72525-G01
TACHOMETER	72526-G01

ENGINE OIL	PART NO.
4 CYCLE ENGINE OIL, 5 GALLON (19 LITER)	25730-G03
4 CYCLE ENGINE OIL, 12 QUART CASE	25730-G04
4 CYCLE ENGINE OIL, 1 QUART BOTTLE (950 ML)	25730-G06

TOUCH UP PAINT	PART NO.
PEN 3 OUNCE (89 ML) - HUNTER GREEN	28432-G02
PEN 3 OUNCE (89 ML) - CHAMPAGNE BEIGE	28432-G01
PEN 3 OUNCE (89 ML) - WHITE	28432-G05
PEN 3 OUNCE (89 ML) - INDUSTRIAL YELLOW	28432-G03
PEN 3 OUNCE (89 ML) - ORANGE	28432-G04
PEN 3 OUNCE (89 ML) - STEEL BLUE PEARL	28432-G24
PEN 3 OUNCE (89 ML) - OLIVE GREEN	28432-G**
PEN 3 OUNCE (89 ML) - CAMOUFLAGE PAINT (THREE PENS)	75831-G01
AEROSOL 12 OUNCE (360 ML) - HUNTER GREEN	28140-G09
AEROSOL 12 OUNCE (360 ML) - CHAMPAGNE BEIGE	28140-G15
AEROSOL 12 OUNCE (360 ML) - WHITE	28140-G03
AEROSOL 12 OUNCE (360 ML) - INDUSTRIAL YELLOW	28140-G14
AEROSOL 12 OUNCE (360 ML) - ORANGE	28140-G13
AEROSOL 12 OUNCE (360 ML) - STEEL BLUE PEARL	28140-G**
AEROSOL 12 OUNCE (360 ML) - OLIVE GREEN	28140-G**

SPECIALTY PRODUCTS

MAINTENANCE PRODUCTS	PART NO.
FORMULA 40 VINYL-COAT® - WHITE	28166-G01
PLEXUS® CLEANER, 7 OUNCE (210 ML) (FOR WINDSHIELDS)	28433-G01
PLEXUS® CLEANER, 13 OUNCE (380 ML) (FOR WINDSHIELDS)	28433-G02
BATTERY PROTECTOR, 14 OUNCE (410 ML) SPRAY	75500-G01
CARBURETOR & CHOKE CLEANER, 15 OUNCE (440 ML) SPRAY	75501-G01
WHITE LITHIUM GREASE, 14 OUNCE (410 ML) SPRAY	75502-G01
PENETRANT/LUBRICANT, 15 OUNCE (440 ML) SPRAY	75503-G01
MULTI-PURPOSE CLEANER & DEGREASER, 14 OUNCE (410 ML) SPRAY	75504-G01
MULTI-PURPOSE HAND CLEANER, 32 OUNCE (950 ML) LIQUID	75505-G01
BATTERY CLEANER, 32 OUNCE (950 ML) WITH TRIGGER SPRAYER.....	75506-G01
BIO-DEGRADABLE CLEANER, 32 OUNCE (950 ML) WITH TRIGGER SPRAYER.....	75507-G01
MULTI-PURPOSE VALUE PACK.....	75508-G01
• BATTERY PROTECTOR, 4 OUNCE (120 ML) SPRAY	
• PENETRANT/LUBRICANT, 4 OUNCE (120 ML) SPRAY	
• WHITE LITHIUM GREASE, 4 OUNCE (120 ML) SPRAY	
• CARBURETOR & CHOKE CLEANER, 4 OUNCE (120 ML) SPRAY	

SPECIALTY PRODUCTS



A Textron Company

E-Z-GO Division Of Textron, Inc.,
1451 Marvin Griffin Road, Augusta, Georgia USA 30906-3852

TO CONTACT US

North America:

Technical Assistance & Warranty Phone: 1-800-774-3946, FAX: 1-800-448-8124
Service Parts Phone: 1-888-GET-EZGO (1-888-438-3946), FAX: 1-800-752-6175

International:

Phone: 001-706-798-4311, FAX: 001-706-771-4609

Certified ISO 9001 / ISO 14001 by



Copyrighted Material
This manual may not be reproduced in whole or
in part without the express permission of
E-Z-GO Division of Textron, Inc.
Technical Communications Department