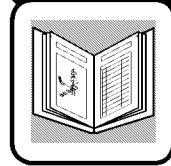


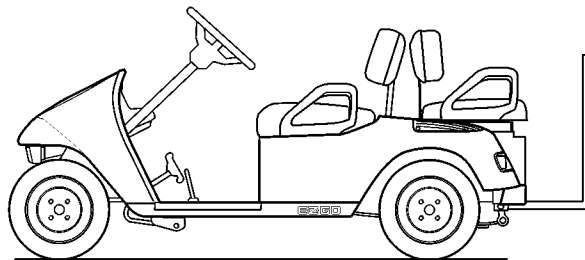
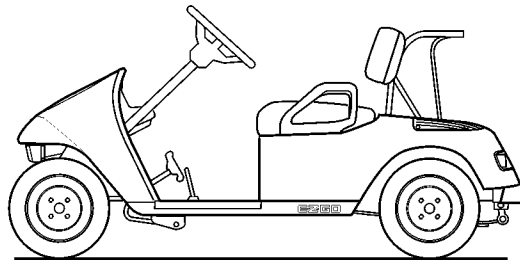
28656-G01



a **TEXTRON** Company



SERVICE PARTS MANUAL

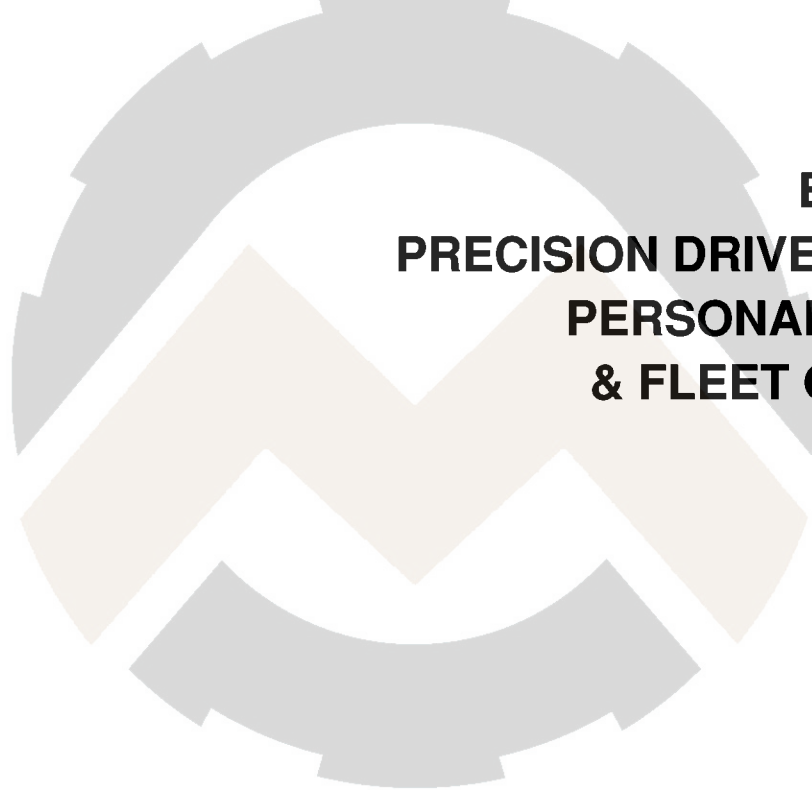


ELECTRIC & PRECISION DRIVE SYSTEM™ PERSONAL VEHICLES & FLEET GOLF CARS

MODEL YEAR: 2001

REVISED: 11/2001

SERVICE PARTS MANUAL



**ELECTRIC &
PRECISION DRIVE SYSTEM™
PERSONAL VEHICLES
& FLEET GOLF CARS**

VEHICLES

FREEDOM

PDS FREEDOM

FLEET GOLF CAR

PDS FLEET GOLF CAR

SHUTTLE 2+2

MASTERS
GOLF & UTILITY VEHICLES

www.mastersgolfcarts.com - 905-436-0606 - 1-855-226-0606

E-Z-GO Division of Textron reserves the right to make design changes without obligation to make these changes on units previously sold and the information contained in this manual is subject to change without notice.

E-Z-GO Division of Textron is not liable for errors in this manual or for incidental or consequential damages that result from the use of the material in this manual.

CUSTOMER SERVICE DEPARTMENT IN USA PHONE: 1-800-241-5855 FAX: 1-800-448-8124

OUTSIDE USA PHONE: 010-1-706-798-4311, FAX: 010-1-706-771-4609

E-Z-GO DIVISION OF TEXTRON, INC., P.O.BOX 388, AUGUSTA, GEORGIA USA 30903-0388



NOTES

To obtain a copy of the limited warranty applicable to the vehicle, call or write a local distributor, E-Z-GO Branch or the E-Z-GO Warranty Department with vehicle serial number and manufacturer code.

The use of non E-Z-GO parts may void the warranty.

Overfilling of batteries may void the warranty.

BATTERY PROLONGED STORAGE

All batteries will self discharge over time. The rate of self discharge varies depending on the ambient temperature and the age and condition of the batteries.

A fully charged battery will not freeze in winter temperatures unless the temperature falls below -75° F (-60° C).

As with all electric vehicles, the batteries must be checked and recharged as required or at a minimum of 30 day intervals.

GENERAL INDEX

| SECTION | Page No. |
|--|----------|
| How to use the E-Z-GO Service Parts Manual..... | vii |
| ILLUSTRATED PARTS BREAKDOWN: | |
| ACCELERATOR | |
| • Pedal Box..... | A-1 |
| • Accelerator Pedal..... | A-2 |
| BATTERY CHARGER | |
| • PowerWise™ Battery Charger, PowerWise™ + Battery Charger..... | B-1 |
| • Lester Battery Chargers..... | B-9 |
| BODY | |
| • Front Cowl, Instrument Panel, Front Shield, Ashtray Kit..... | C-1 |
| • Floorboard, Floormat, Rocker Panel..... | C-2 |
| • Seat Wrap Support, Battery Rack..... | C-3 |
| • Rear Body, Access Lid, Scuff Guards, Bumper..... | C-4 |
| • Rear Body-Shuttle 2+2/Convertible Carrier, Footrest, Two Bag Attachment..... | C-5 |
| • Sand Bottle and Basket Divot Repair Kit, Side Basket, Center Basket..... | C-6 |
| • Message Holder, Cooler Jug, Cooler Box, Rake and Holder..... | C-7 |
| • Four Bag Attachment..... | C-8 |
| BRAKES | |
| • Brake Pedal With Lights..... | D-1 |
| • Brake Pedal Without Lights..... | D-2 |
| • Equalizer and Brake Cables..... | D-3 |
| • Wheel Brake Assembly..... | D-4 |
| DIRECTION SELECTOR | |
| • Direction Selector..... | E-1 |
| DIRECTION SELECTOR (PDS) | |
| • Direction Selector..... | E-5 |
| ELECTRONIC SPEED CONTROL | |
| • Electronic Speed Controller, Solenoid..... | F-1 |
| ELECTRONIC SPEED CONTROL (PDS) | |
| • Electronic Speed Controller, Solenoid..... | F-5 |
| ELECTRONIC SPEED CONTROL (HD) | |
| • Electronic Speed Controller, Solenoid..... | F-9 |



GENERAL INDEX

| SECTION | Page No. |
|--|----------|
| ELECTRICAL SYSTEM | |
| • Charger Receptacle (PDS), Wiring..... | G-1 |
| • Charger Receptacle (Non PDS), Wiring..... | G-2 |
| • Horn, Fuse Block, Hour Meter..... | G-3 |
| • Turn Signal, Key Switch, State of Charge Meter..... | G-4 |
| • Brake Pedal & Taillight Connections..... | G-5 |
| • Headlight and Connections..... | G-6 |
| • Ignition Switch Wiring..... | G-7 |
| ELECTRIC MOTOR | |
| • Electric Motor..... | H-1 |
| FRONT SUSPENSION (Early Production, for Jan. 2001 and Later see 'Front Suspension and Steering') | |
| • Front Axle, Spindle, Wheel Hub, Shock Absorber, Spring..... | J-1 |
| FRONT SUSPENSION AND STEERING (Jan. 2001 and Later) | |
| • Front Axle, Spindle, Wheel Hub, Tie Rod, Steering Column and Wheel..... | J-5 |
| REAR AXLE | |
| • Axle, Axle Shaft..... | K-1 |
| REAR SUSPENSION | |
| • Leaf Spring, U-Bolt, Shock Absorber..... | L-1 |
| SEATING AND BAG HOLDER, GOLF CAR | |
| • Seat Back, Bag Holder, Seat Bottom, Hip Restraint..... | M-1 |
| SEATING, SHUTTLE 2+2 | |
| • Front Seat Back, Front Seat Bottom, Hip Restraint..... | M-5 |
| • Rear Seat Back, Rear Seat Bottom, Hip Restraint..... | M-6 |
| SEATING, CONVERTIBLE CARRIER | |
| • Front Seat Back, Front Seat Bottom, Hip Restraint..... | M-9 |
| • Rear Seat Back, Rear Seat Bottom, Support Frame..... | M-10 |
| STEERING (Early Production, for Jan. 2001 and Later see 'Front Suspension and Steering') | |
| • Rack and Pinion Assembly, Tie Rod Assembly, Steering Column, Steering Wheel..... | N-1 |
| TOW BAR, PERMANENT | |
| • Tow Bar..... | P-1 |
| • Tow Bar Hitch..... | P-2 |

GENERAL INDEX

TOW BAR, CASUAL

- Tow Bar, Tie Rod..... P-5

SECTION

Page No.

WEATHER PROTECTION, GOLF CAR

- Sun Top KitQ-1
- Split Windshield Kit, Full Windshield Kit, Rear View Mirror KitQ-2
- Weather Enclosures, Golf Bag Cover/Rain CurtainQ-3

WEATHER PROTECTION, SHUTTLE 2+2

- Sun Top KitQ-7
- Split Windshield Kit, Full Windshield Kit, Rear View Mirror KitQ-8

WHEELS AND TIRES

- Tire, Wheel Rim, Valve Stem R-1
- Chrome Hubcaps, Spoke Hubcaps R-2

SPECIALTY PRODUCTS Appendix - A

- Special Tools
- Paint
- Performance Products

ACCESSORIES Appendix - B

- Accessory Listing



GENERAL INDEX

HOW TO USE THE E-Z-GO SERVICE PARTS MANUAL

This manual is divided into several sections:

- GENERAL INFORMATION
- ILLUSTRATED PARTS BREAKDOWN
- APPENDIX

The first section, GENERAL INFORMATION, contains the following information:

- WARRANTY INFORMATION
- GENERAL INDEX
- HOW TO USE THE E-Z-GO SERVICE PARTS MANUAL

The second section, ILLUSTRATED PARTS BREAKDOWN, contains illustrations and parts lists for all systems of your vehicle.

The third section, APPENDIX, contains a listing of specialty products and accessories.

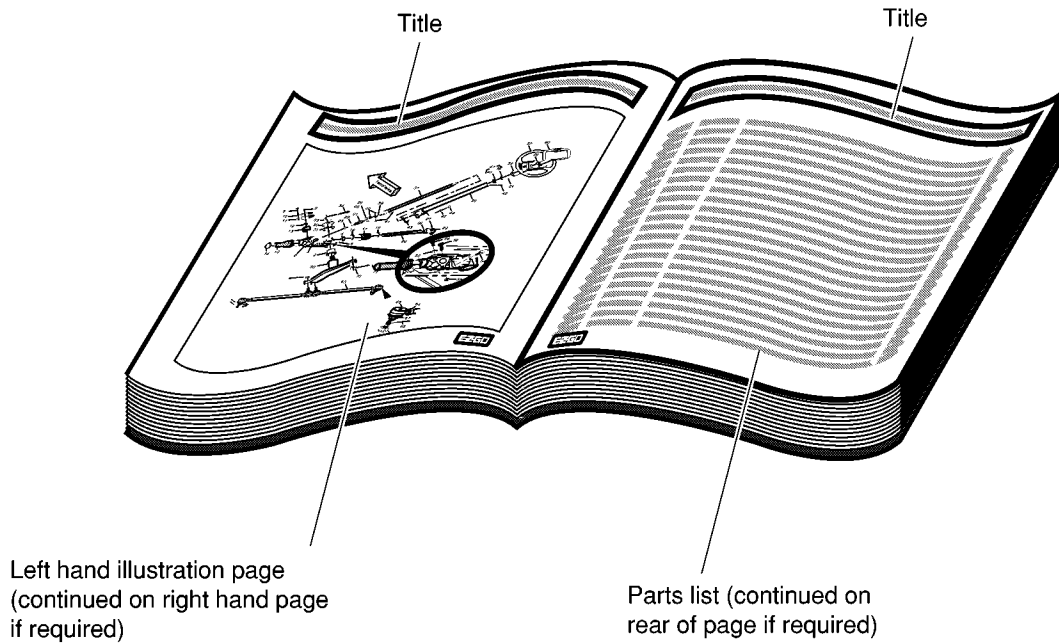
USE OF THE MANUAL

To use this manual, consult the GENERAL INDEX to locate the information or illustration required.

Introduction of some revisions varies due to supply of components; therefore, it is possible that various combinations of components may be found that are not directly reflected by each illustration. Consult the illustration that best suits your situation and then contact the Service Parts Department. It is important that the serial number of your vehicle and its model number be supplied to Service Parts when ordering any replacement components.

Locate the serial number plate (see BODY located in the Illustrated Parts Breakdown section of this manual for its location) and note the complete number shown on the plate.

HOW TO USE THE E-Z-GO SERVICE PARTS MANUAL



1. WHEN THE PART NUMBER IS NOT KNOWN

- Determine the function and application of the part required. Turn to the General Index and select the most appropriate title.
- Turn to the page number indicated and locate the desired part on the illustration.
- From the illustration, obtain the item number assigned to the desired part. Refer to the accompanying description for specific information regarding the part.

2. IF YOU KNOW THE PART NUMBER

- Locate the part number or description in the appropriate column on the parts list page.

NOTE: It is suggested that you confirm that the part selected is correct by verifying it with the pictorial representation on the illustrated page.

Should an asterisk (*) appear in the part number column on the parts list page, read upwards until a part number is found. The part number is the lowest assembly sold by E-Z-GO and the asterisk (*) indicates that the part depicted is not available for sale by E-Z-GO.

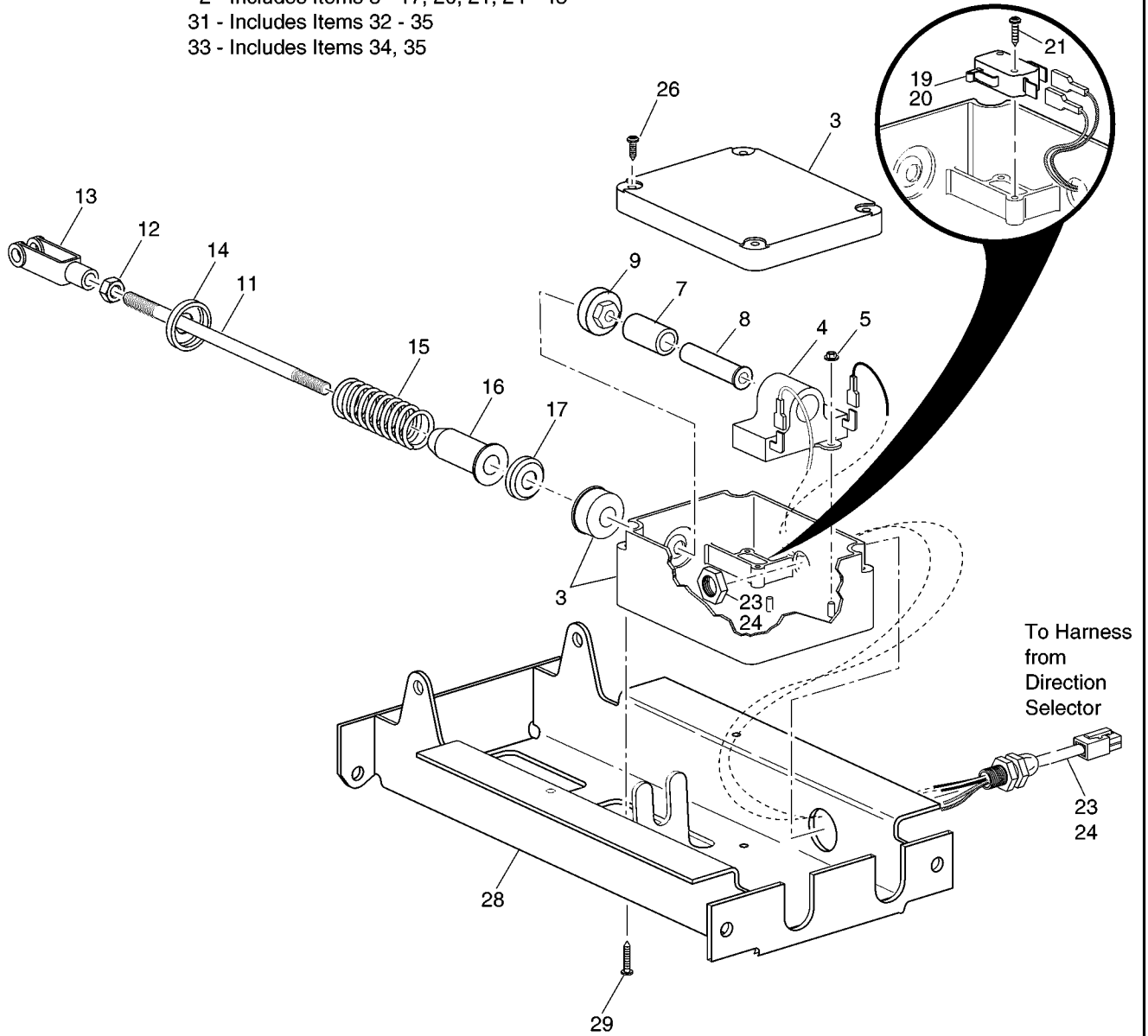
NOTE: Descriptions are indented under the assembly that they are used on. That assembly is, in turn listed under the assembly that it is used on. This process is repeated until the highest final assembly is reached.

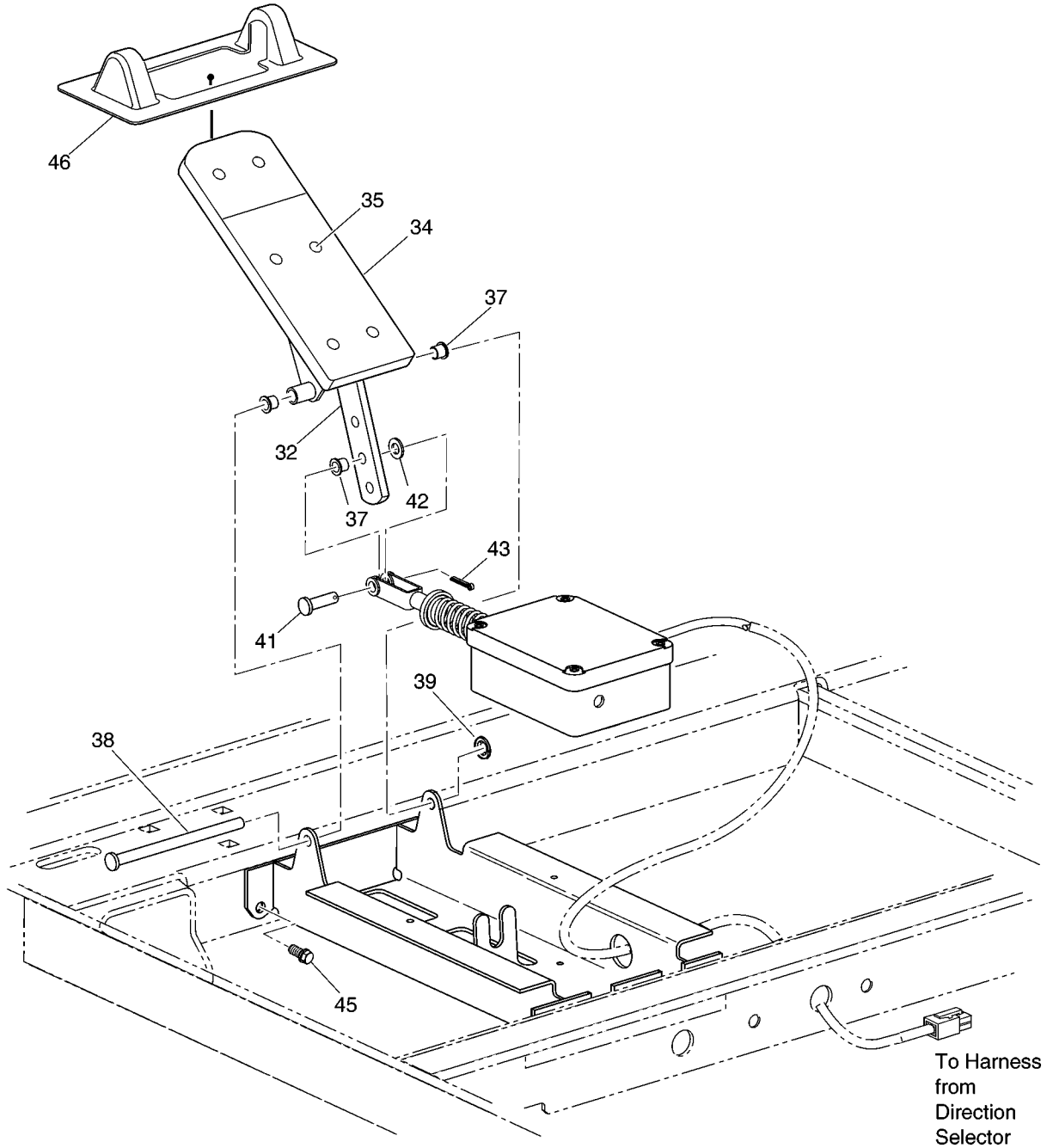
To facilitate the maintenance and repair of the vehicle, a Technician's Repair and Service Manual is available from the E-Z-GO Service Parts Department.

ILLUSTRATED PARTS BREAKDOWN

ILLUSTRATED PARTS BREAKDOWN

- 1 - Includes Items 3 - 19, 21, 23, 26 - 43
- 2 - Includes Items 3 - 17, 20, 21, 24 - 43
- 31 - Includes Items 32 - 35
- 33 - Includes Items 34, 35





THE USE OF NON UL PARTS WILL VOID ANY UL LISTING.

When ordering parts, please specify the model and serial number of the product.

* Indicates a component that is not available as an individual part.

G** Indicates consult Customer Service Department for additional information.

| ITEM | PART NO. | 1 2 3 4 5 | DESCRIPTION | QTY. |
|------|-----------|-----------|--|------|
| 1 | 73333-G01 | | PEDAL BOX ASSEMBLY (INCLUDES ITEMS 3 - 19, 21, 23, 26 - 43) | 1 |
| 2 | 73333-G05 | | PEDAL BOX ASSEMBLY, PDS MODEL ONLY (INCLUDES ITEMS 3 - 17, 20, 21, 24 - 43) | 1 |
| 3 | 25853-G01 | | PEDAL BOX AND COVER (SEAL AND BEARING) | 1 |
| 4 | 25854-G01 | | INDUCTIVE THROTTLE SENSOR | 1 |
| 5 | 00983-G01 | | SELF THREADING NUT, 3/16" | 2 |
| 6 | | | | |
| 7 | 25857-G01 | | PLUNGER SLEEVE..... | 1 |
| 8 | 28443-G01 | | PLUNGER..... | 1 |
| 9 | 28444-G01 | | PLUNGER CAM..... | 1 |
| 10 | | | | |
| 11 | 73332-G01 | | ACCELERATOR ROD | 1 |
| 12 | 00532-G4 | | LOCK NUT, 5/16 - 24 | 1 |
| 13 | 10385-G4 | | YOKE (ADJUSTABLE)..... | 1 |
| 14 | 17677-G2 | | SPRING RETAINER, 3/8" | 1 |
| 15 | 73046-G01 | | COMPRESSION SPRING | 1 |
| 16 | 17979-G1 | | ACCELERATOR ROD BUSHING | 1 |
| 17 | 17677-G1 | | SPRING RETAINER, 1/2" | 1 |
| 18 | | | | |
| 19 | 25861-G01 | | MICRO SWITCH..... | 1 |
| 20 | 25861-G02 | | MICRO SWITCH (PDS MODEL ONLY)..... | 1 |
| 21 | 00982-G01 | | SCREW, #4 - 14 X 5/8" LG | 2 |
| 22 | | | | |
| 23 | 25879-G03 | | WIRING HARNESS (PEDAL BOX ASSEMBLY) | 1 |
| 24 | 25879-G05 | | WIRING HARNESS (PEDAL BOX ASSEMBLY) (PDS MODEL ONLY) | 1 |
| 25 | | | | |
| 26 | 00684-G6 | | SCREW, #8 - 32 X 3/4" LG | 4 |
| 27 | | | | |
| 28 | 70116-G01 | | ACCELERATOR PEDAL BRACKET..... | 1 |
| 29 | 00984-G01 | | SCREW, #8 - 10 X 1/2" LG | 4 |

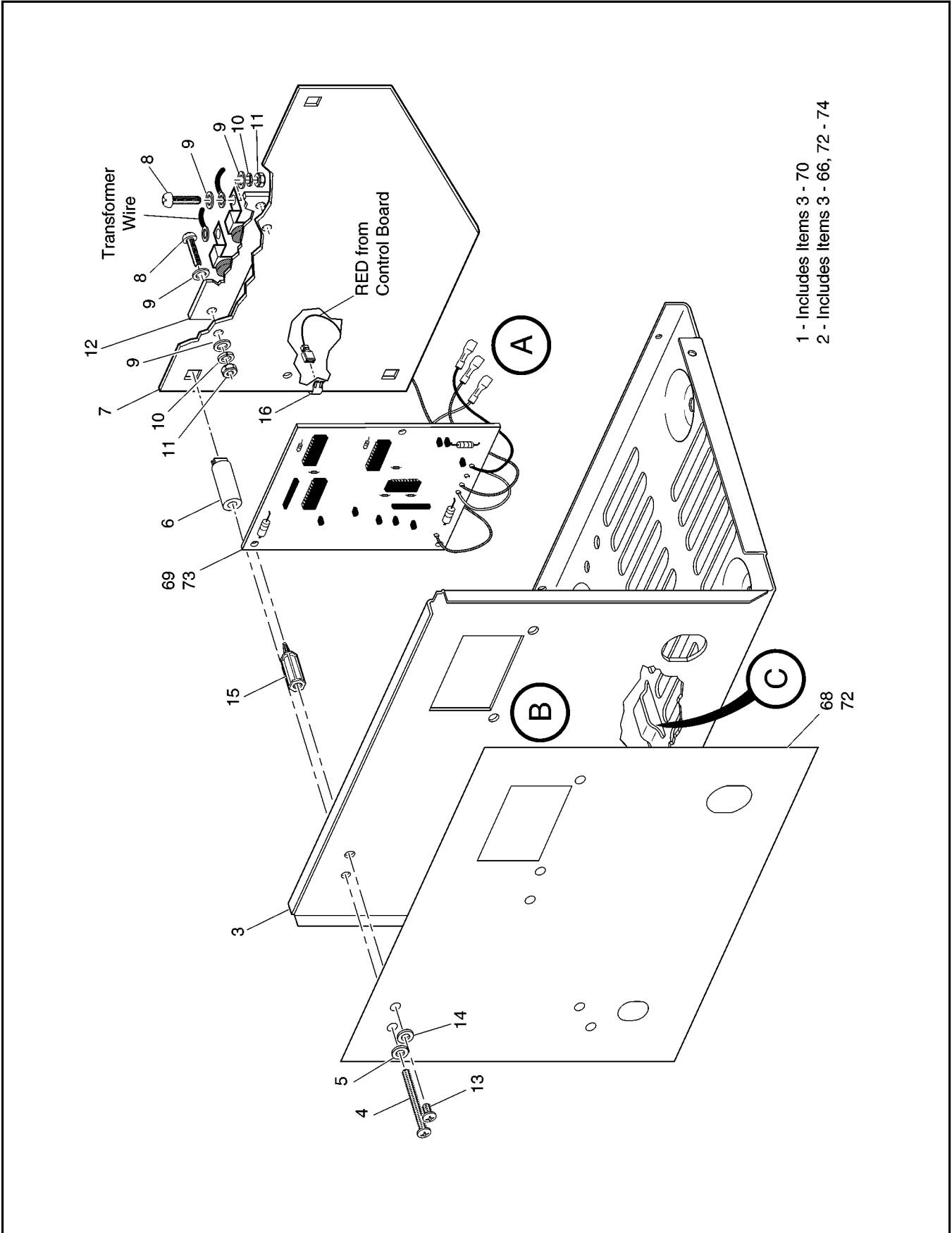
THE USE OF NON UL PARTS WILL VOID ANY UL LISTING.

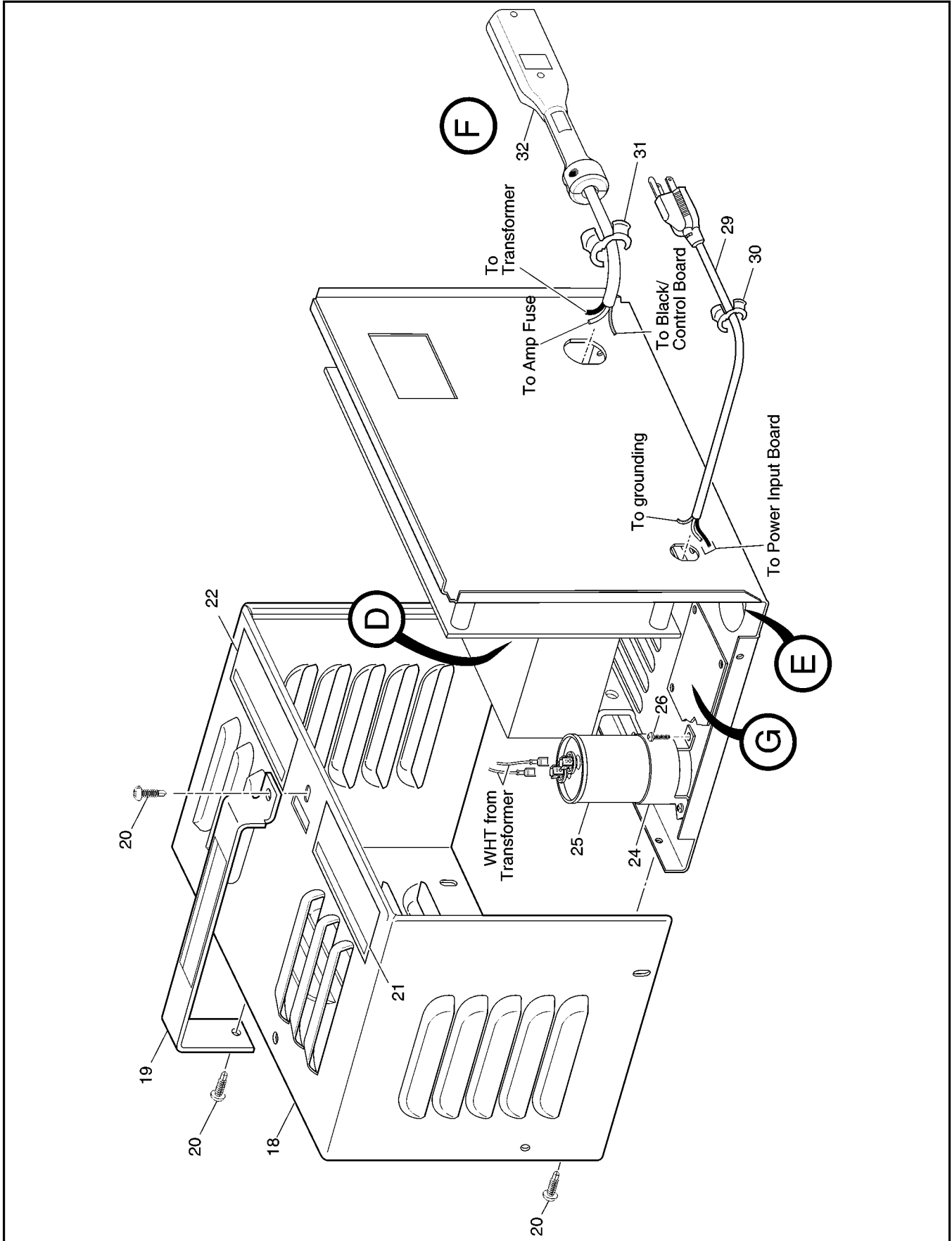
When ordering parts, please specify the model and serial number of the product.

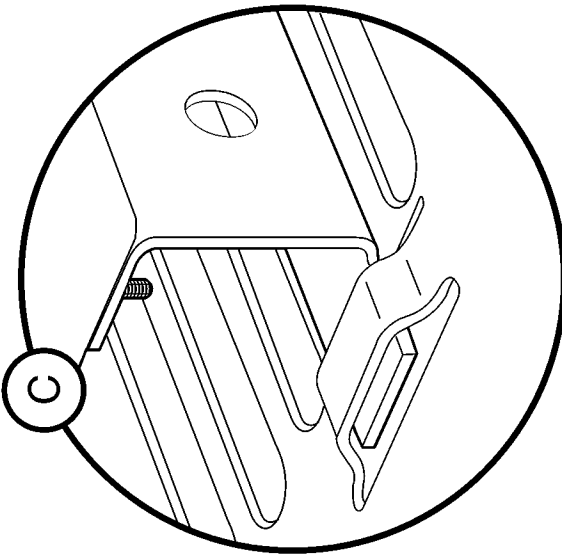
* Indicates a component that is not available as an individual part.

G** Indicates consult Customer Service Department for additional information.

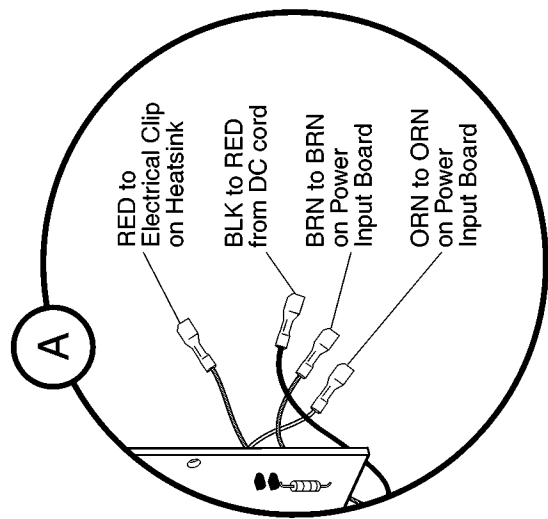
| ITEM | PART NO. | 1 | 2 | 3 | 4 | 5 | DESCRIPTION | QTY. |
|------|-----------|---|---|---|---|---|---|------|
| 30 | | | | | | | | |
| 31 | 25799-G01 | | | | | | ACCELERATOR PEDAL ASSEMBLY (INCLUDES ITEMS 32 - 35) | 1 |
| 32 | * | | | | | | ACCELERATOR PEDAL | 1 |
| 33 | 27844-G01 | | | | | | ACCELERATOR PEDAL PAD KIT (INCLUDES ITEMS 34, 35) | 1 |
| 34 | 27512-G01 | | | | | | ACCELERATOR PEDAL PAD | 1 |
| 35 | 15766-G1 | | | | | | OVAL RIVET 3/8" X 3/8" LG | 6 |
| 36 | | | | | | | | |
| 37 | 17838-G1 | | | | | | BUSHING | 3 |
| 38 | 70134-G01 | | | | | | PEDAL PIVOT PIN | 1 |
| 39 | 00986-G01 | | | | | | PUSHNUT, 9/32" I.D. | 1 |
| 40 | | | | | | | | |
| 41 | 10386-G3 | | | | | | CLEVIS PIN, 5/16" X 1" LG | 1 |
| 42 | 17255-G1 | | | | | | TEFLON WASHER, 5/16" | 1 |
| 43 | 10387-G3 | | | | | | COTTER PIN, 3/32" X 3/4" LG | 1 |
| 44 | | | | | | | | |
| 45 | 00715-G2 | | | | | | BOLT, 5/16 - 18 X 13/16" LG. | 4 |
| 46 | 70135-G01 | | | | | | PEDAL PIVOT COVER | 1 |



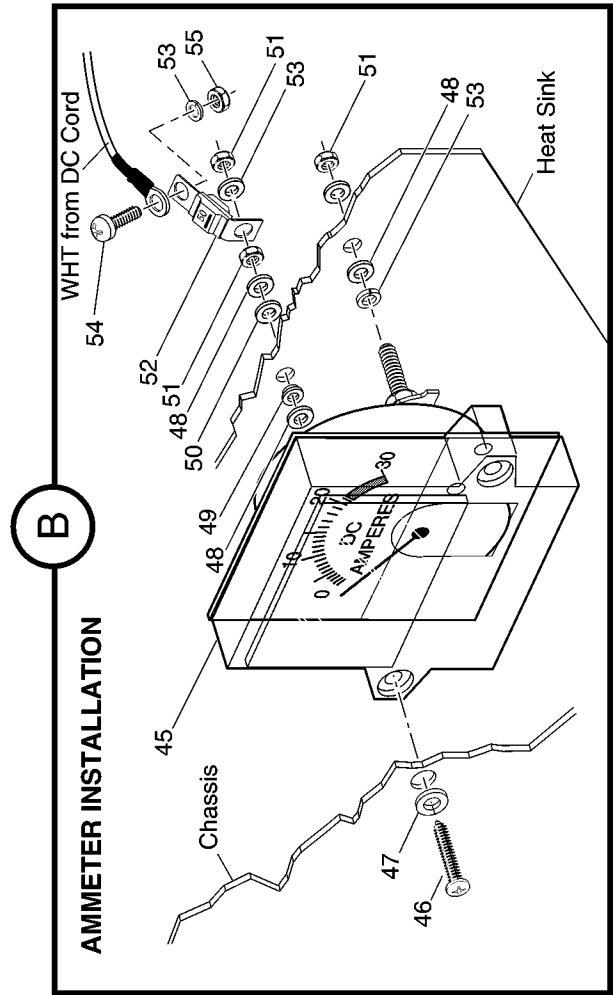




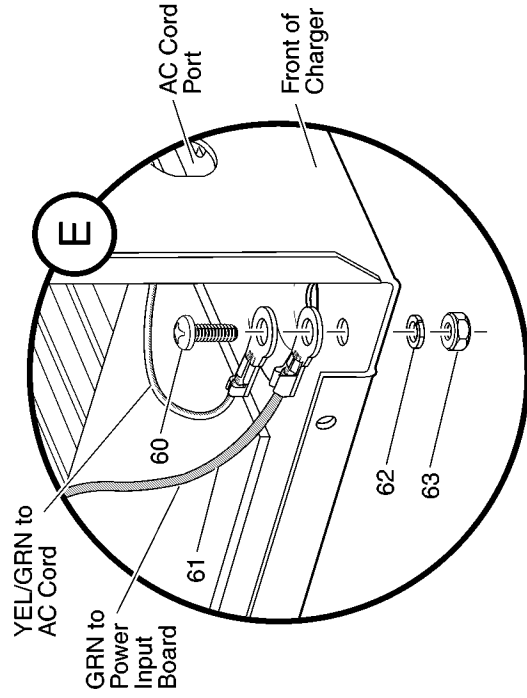
**TRANSFORMER LEG
INSTALLATION**



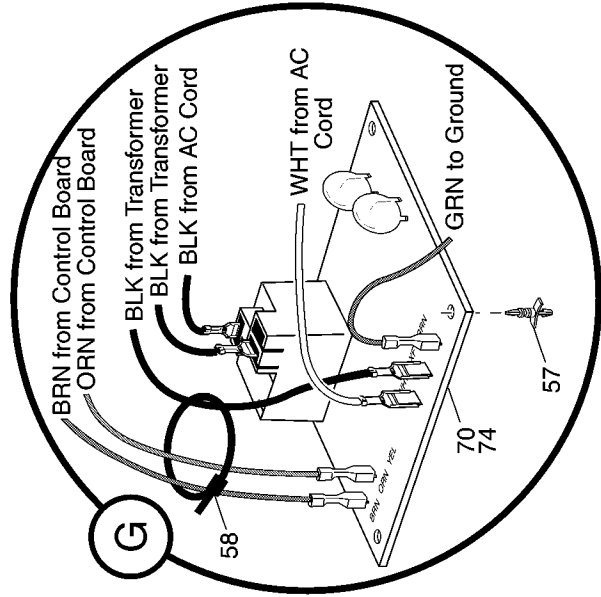
**CONTROL BOARD
CONNECTIONS**



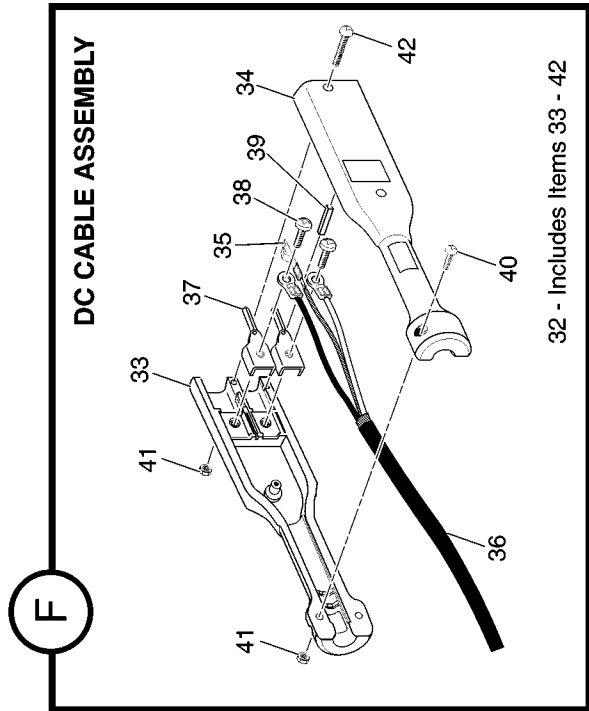
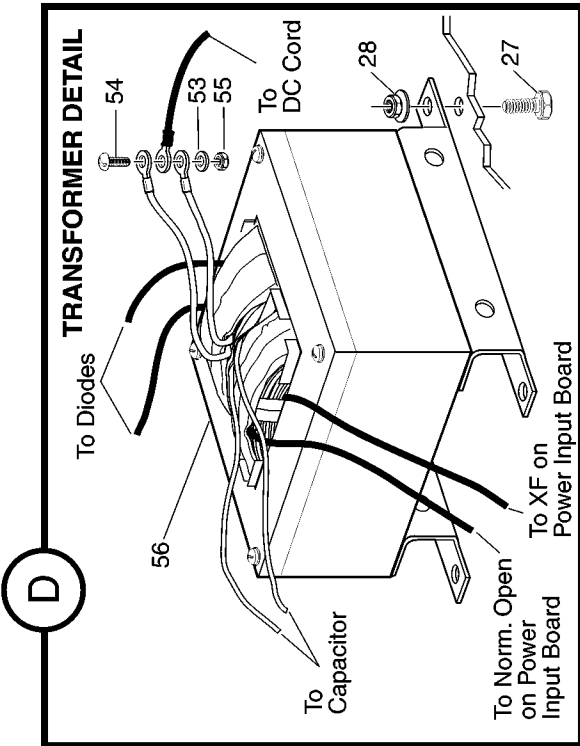
AMMETER INSTALLATION



GROUNDING DETAIL



POWER INPUT BOARD INSTALLATION



32 - Includes Items 33 - 42

BATTERY CHARGER

Electric Vehicle

THE USE OF NON U.L. PARTS WILL VOID ANY U.L. LISTING.

When ordering parts, please specify the model and serial number of the product.

* Indicates a component that is not available as an individual part.

G** Indicates consult Customer Service Department for additional information.

| ITEM | PART NO. | 1 2 3 4 5 | DESCRIPTION | QTY. |
|------|-----------|-----------|---|------|
| 1 | 28115-G01 | | POWERWISE™ CHARGER (INCLUDES ITEMS 3 - 70) | 1 |
| 2 | 28115-G02 | | POWERWISE™ + CHARGER (INCLUDES ITEMS 3 - 66, 72 - 74) | 1 |
| 3 | * | | CHASSIS | 1 |
| 4 | 00513-G6 | | SCREW, #8 - 18 X 1 3/4" LG | 2 |
| 5 | 00559-G4 | | WASHER, #8 | 2 |
| 6 | 11572-G3 | | EXPANSION NUT | 2 |
| 7 | 28104-G01 | | HEAT SINK | 1 |
| 8 | 00372-G4 | | SCREW, #8 - 32 X 1/2" LG | 4 |
| 9 | 00559-G4 | | WASHER, #8 | 4 |
| 10 | 00565-G4 | | LOCK WASHER, #8 | 4 |
| 11 | 00526-G1 | | NUT, #8 - 32 | 4 |
| 12 | 28548-G01 | | DIODE | 1 |
| 13 | 01005-G01 | | SCREW, #6 - 19 X 5/16" LG | 3 |
| 14 | 00559-G3 | | WASHER, #6 | 3 |
| 15 | 28111-G01 | | SUPPORT SPACER | 3 |
| 16 | 28110-G01 | | ELECTRICAL CLIP | 1 |
| 17 | | | | |
| 18 | * | | COVER | 1 |
| 19 | 28102-G01 | | HANDLE | 1 |
| 20 | 00614-G4 | | SCREW, #8 - 18 X 1/2" LG | 6 |
| 21 | 28136-G01 | | LABEL (VENTILATION) | 1 |
| 22 | 28136-G02 | | LABEL (CORD CONDITION) | 1 |
| 23 | | | | |
| 24 | 26979-G01 | | CAPACITOR BRACKET | 1 |
| 25 | 28109-G01 | | CAPACITOR | 1 |
| 26 | 00969-G01 | | SCREW, #8 - 32 X 3/8" LG | 3 |
| 27 | 00414-G5 | | BOLT, 1/4 - 20 X 5/8" LG | 3 |
| 28 | 11027-G2 | | LOCK NUT, 1/4 - 20 | 3 |
| 29 | 19388-G4 | | AC CORD | 1 |
| 30 | 13557-G2 | | STRAIN RELIEF (AC) | 1 |



THE USE OF NON U.L. PARTS WILL VOID ANY U.L. LISTING.
 When ordering parts, please specify the model and serial number of the product.
 * Indicates a component that is not available as an individual part.
 G** Indicates consult Customer Service Department for additional information.

| ITEM | PART NO. | 1 | 2 | 3 | 4 | 5 | DESCRIPTION | QTY. |
|------|-----------|---|---|---|---|---|---|------|
| 31 | 13557-G3 | | | | | | STRAIN RELIEF (DC) | 1 |
| 32 | 28137-G02 | | | | | | DC CORD AND HANDLE ASSEMBLY (INCLUDES ITEMS 33 - 42)..... | 1 |
| 33 | 73051-G11 | | | | | | PLUG (TOP HALF)..... | 1 |
| 34 | 73051-G12 | | | | | | PLUG (BOTTOM HALF)..... | 1 |
| 35 | 73051-G27 | | | | | | AUXILARY CONTACT | 1 |
| 36 | 73331-G01 | | | | | | DC CORD | 1 |
| 37 | 73051-G14 | | | | | | MALE PIN | 2 |
| 38 | 73051-G08 | | | | | | BRASS SCREW, #10 - 32 X 1/2" LG | 2 |
| 39 | 73051-G15 | | | | | | MAGNET | 1 |
| 40 | 73051-G16 | | | | | | SCREW, #6 - 32 X 1/2" LG (STAINLESS STEEL) | 2 |
| 41 | 73051-G10 | | | | | | LOCK NUT, #6 - 32 | 4 |
| 42 | 73051-G17 | | | | | | SCREW, #6 - 32 X 1" LG | 2 |
| 43 | | | | | | | | |
| 44 | | | | | | | | |
| 45 | 28105-G01 | | | | | | AMMETER..... | 1 |
| 46 | 01051-G01 | | | | | | SCREW, #8 - 15 X 1/2" LG..... | 2 |
| 47 | 00559-G4 | | | | | | WASHER, #8 | 2 |
| 48 | 01003-G01 | | | | | | BRASS WASHER, #10 | 4 |
| 49 | 22589-G2 | | | | | | SHOULDER WASHER, #10 | 1 |
| 50 | 00771-G6 | | | | | | NYLON WASHER, #10..... | 1 |
| 51 | 00528-G4 | | | | | | NUT, #10 - 32..... | 3 |
| 52 | 28106-G01 | | | | | | 50 AMP FUSE | 1 |
| 53 | 00565-G5 | | | | | | LOCK WASHER, #10 | 4 |
| 54 | 00378-G4 | | | | | | SCREW, #10 - 24 X 1/2" LG..... | 2 |
| 55 | 00526-G3 | | | | | | NUT, #10 - 24..... | 2 |
| 56 | 28103-G01 | | | | | | TRANSFORMER..... | 1 |
| 57 | 27877-G01 | | | | | | SPACER SUPPORT | 4 |
| 58 | 17618-G1 | | | | | | WIRE TIE..... | 2 |
| 59 | | | | | | | | |
| 60 | 00372-G3 | | | | | | SCREW, #8 - 32 X 3/8" LG..... | 1 |



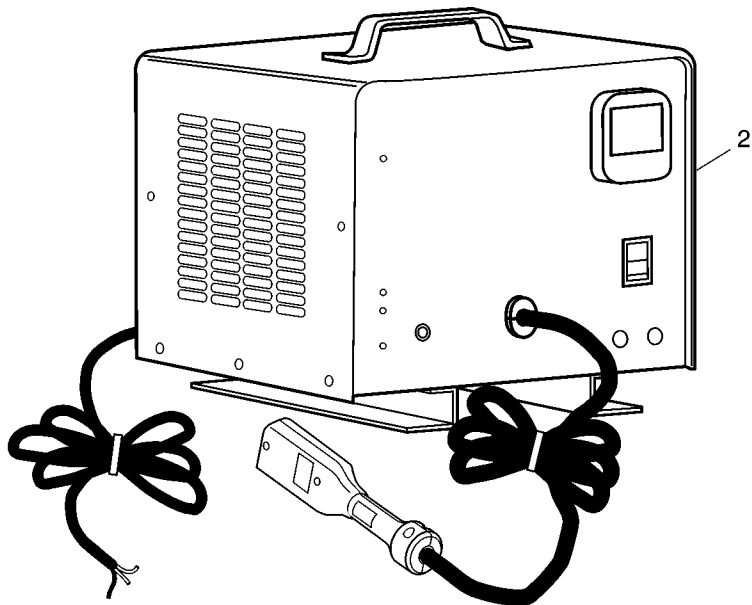
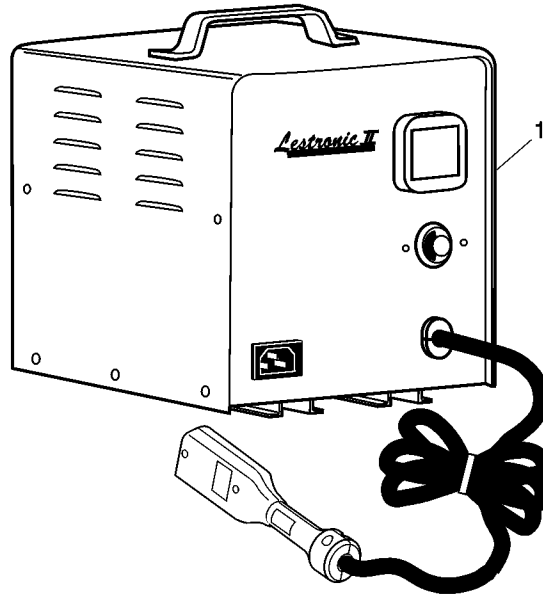
BATTERY CHARGER

Electric Vehicle

THE USE OF NON U.L. PARTS WILL VOID ANY U.L. LISTING.
 When ordering parts, please specify the model and serial number of the product.
 * Indicates a component that is not available as an individual part.
 G** Indicates consult Customer Service Department for additional information.

| ITEM | PART NO. | 1 | 2 | 3 | 4 | 5 | DESCRIPTION | QTY. |
|------|-----------|---|---|---|---|---|-----------------------------|------|
| 61 | 25977-G32 | | | | | | 16 GA WIRE (GREEN 4") | 1 |
| 62 | 00565-G4 | | | | | | LOCK WASHER, #8 | 1 |
| 63 | 00526-G1 | | | | | | NUT, #8 - 32..... | 1 |
| 64 | | | | | | | | |
| 65 | 00565-G7 | | | | | | LOCK WASHER, 1/4" | 2 |
| 66 | 00532-G2 | | | | | | NUT, 1/4 - 28..... | 2 |
| 67 | | | | | | | | |
| 68 | * | | | | | | LABEL (POWERWISE™) | 1 |
| 69 | 28566-G01 | | | | | | CONTROL BOARD..... | 1 |
| 70 | 28566-G03 | | | | | | POWER INPUT BOARD..... | 1 |
| 71 | | | | | | | | |
| 72 | * | | | | | | LABEL (POWERWISE™ +) | 1 |
| 73 | 28566-G02 | | | | | | CONTROL BOARD..... | 1 |
| 74 | 28566-G04 | | | | | | POWER INPUT BOARD..... | 1 |

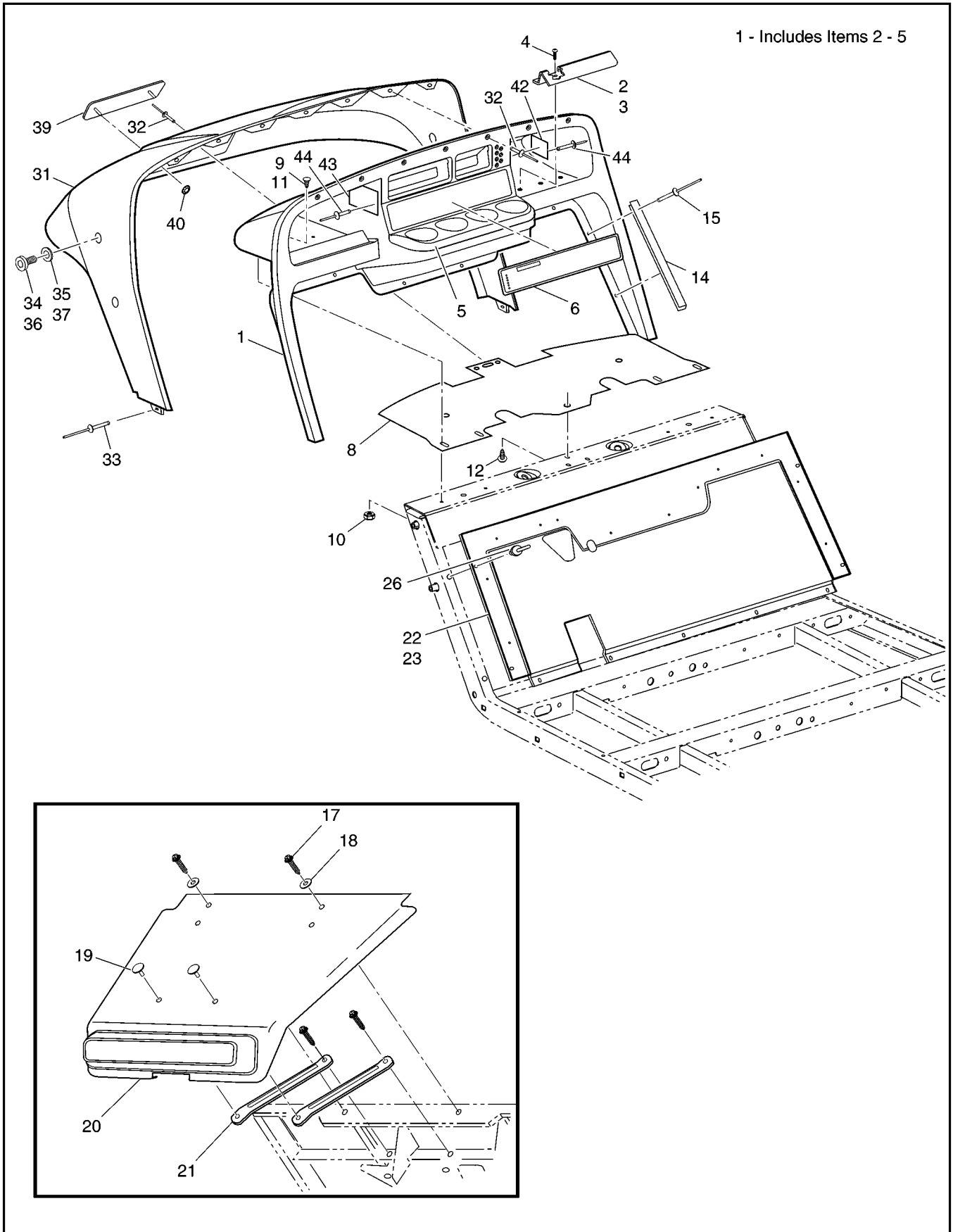


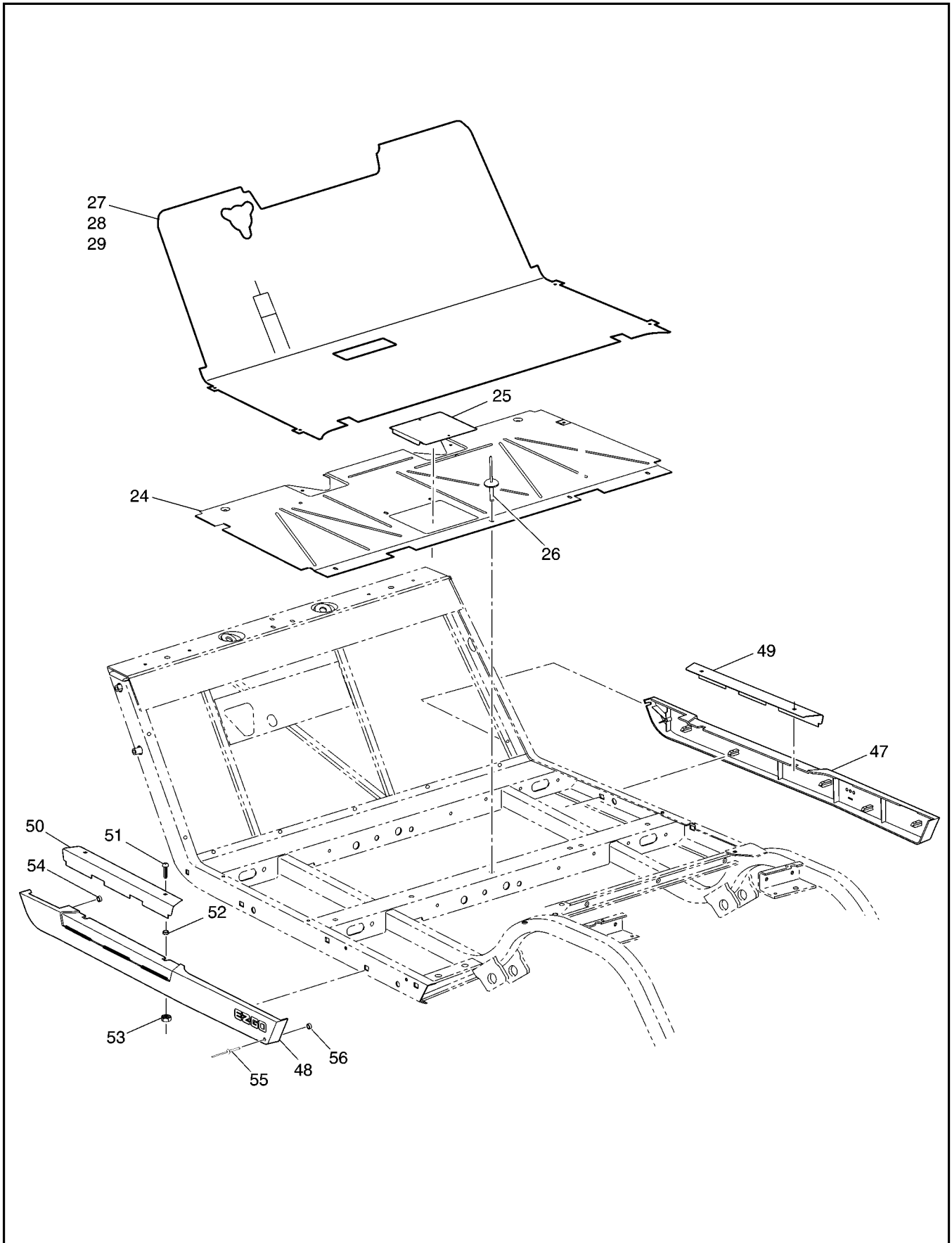


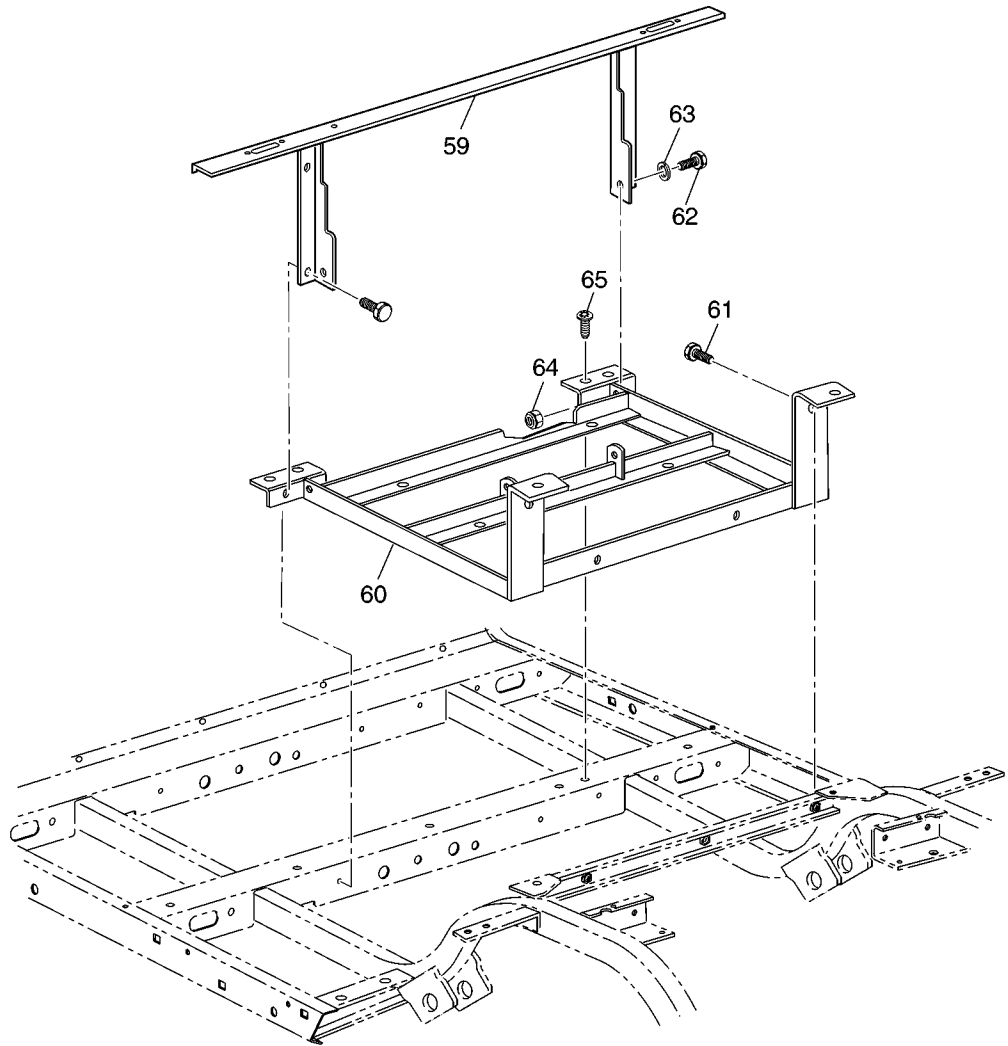
THE USE OF NON U.L. PARTS WILL VOID ANY U.L. LISTING.
 When ordering parts, please specify the model and serial number of the product.
 * Indicates a component that is not available as an individual part.
 G** Indicates consult Customer Service Department for additional information.

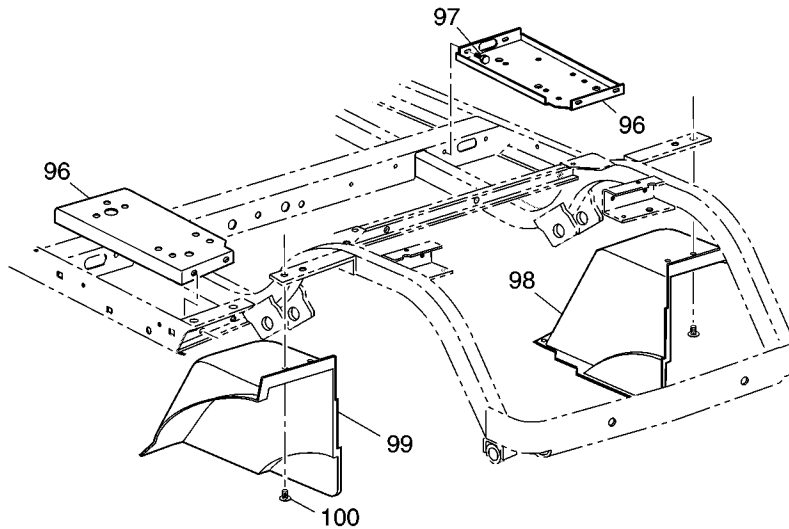
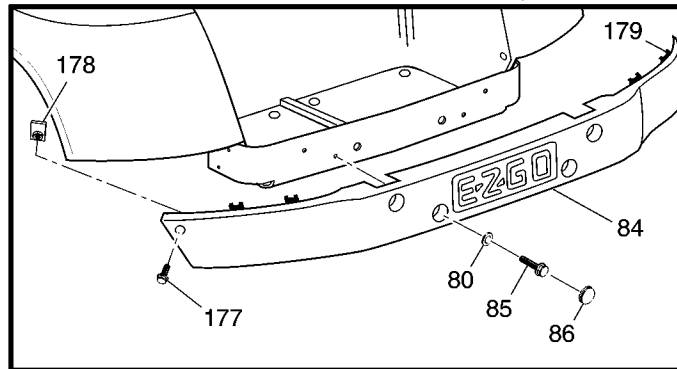
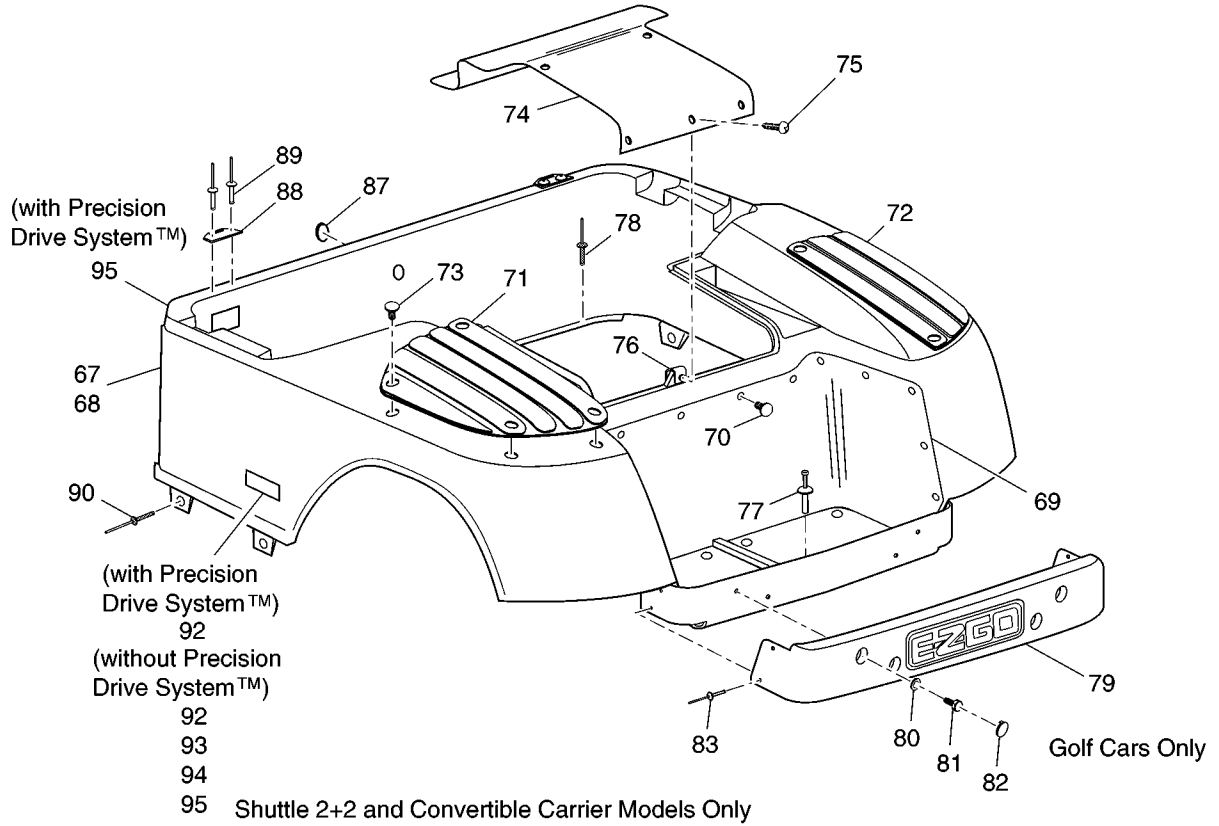
| ITEM | PART NO. | 1 2 3 4 5 DESCRIPTION | QTY. |
|------|-----------|--|------|
| 1 | 28516-G01 | BATTERY CHARGER, LESTER, 36 VOLT, PORTABLE WITH POWERWISE CONNECTOR, CE APPROVED (OPTIONAL) | |
| 2 | 28380-G02 | BATTERY CHARGER, LESTER, 36 VOLT, PORTABLE WITH POWERWISE CONNECTOR, SWITCHABLE INPUT (OPTIONAL) For service or replacement parts, contact: Lester Electrical 625 West "A" Street Lincoln, NE 68522 Phone: (402) 477-8988, FAX: (402) 474-1769 Always provide the following information when requesting information or ordering replacement parts: Model Number: Serial Number: (stamped into housing) | |



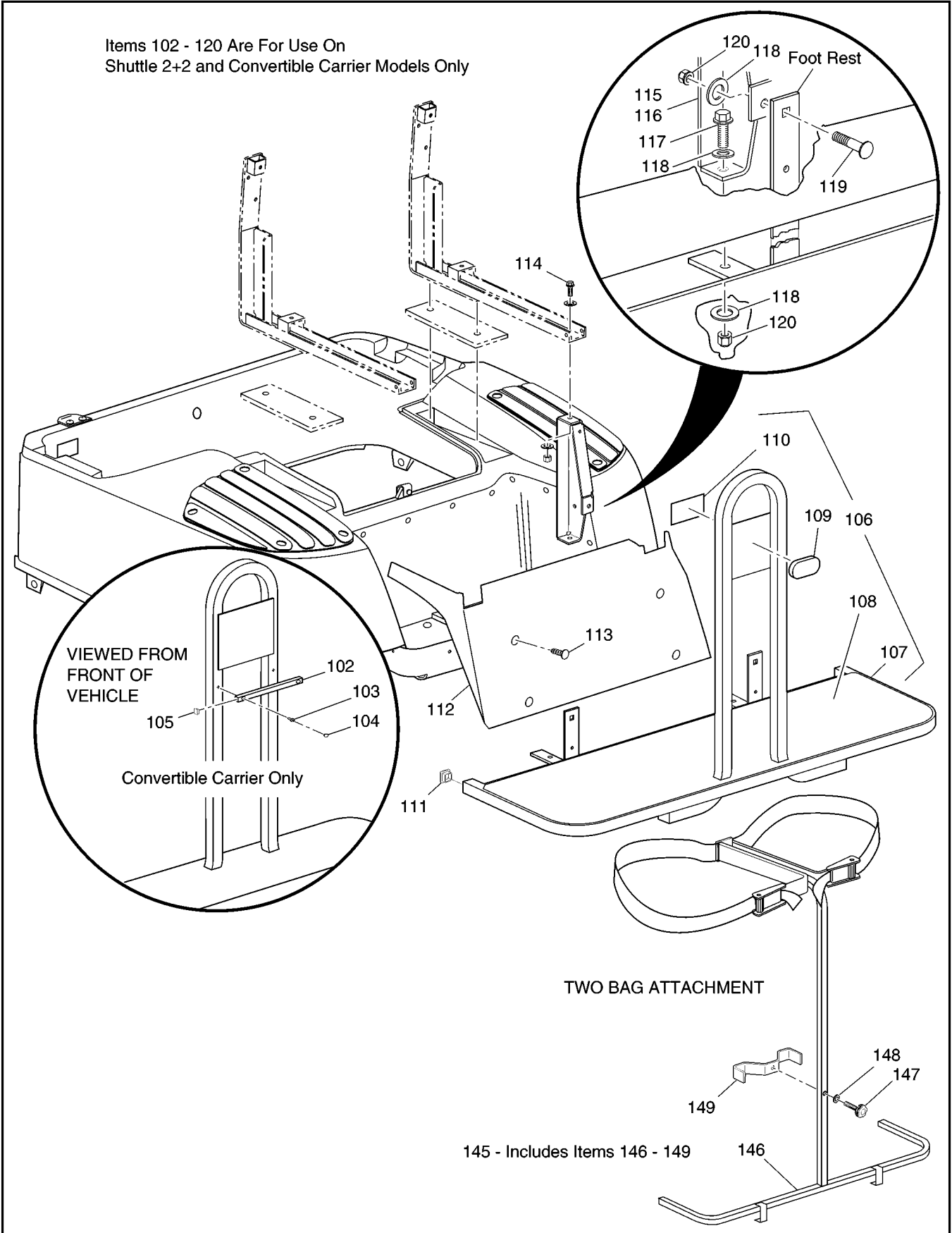


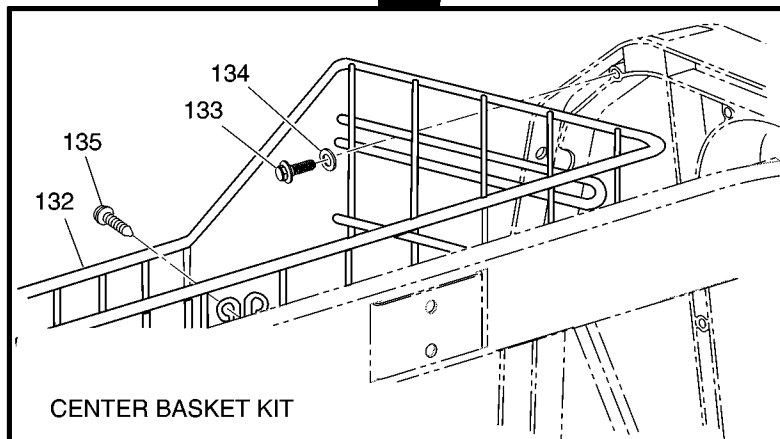
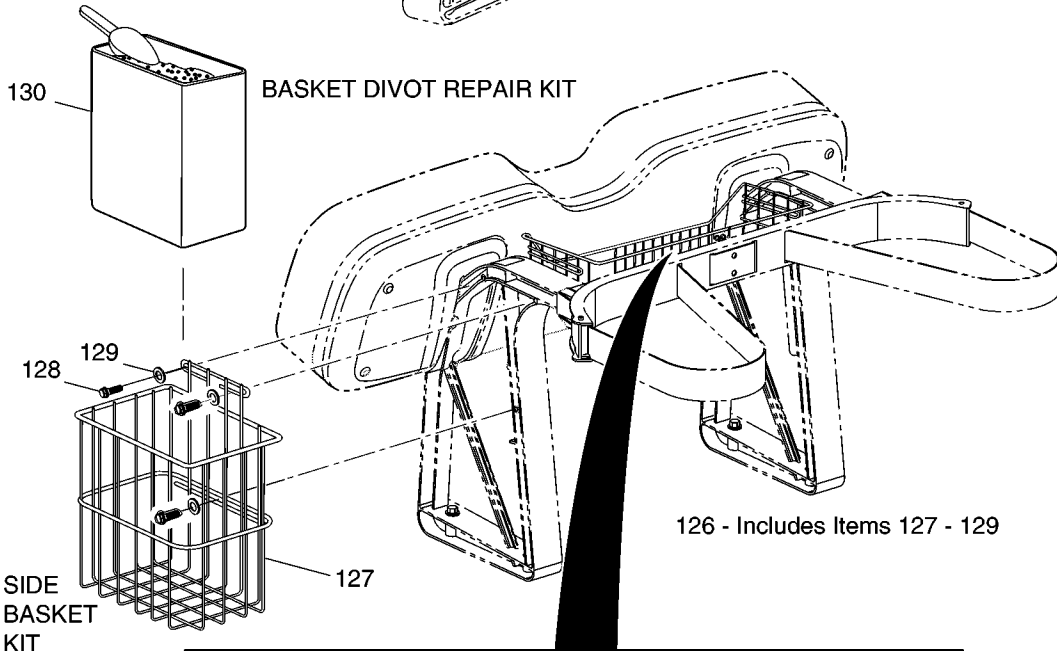
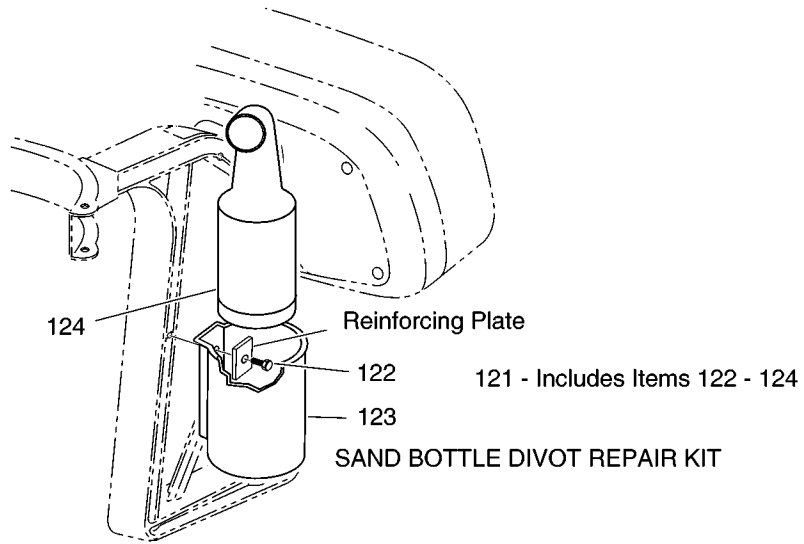




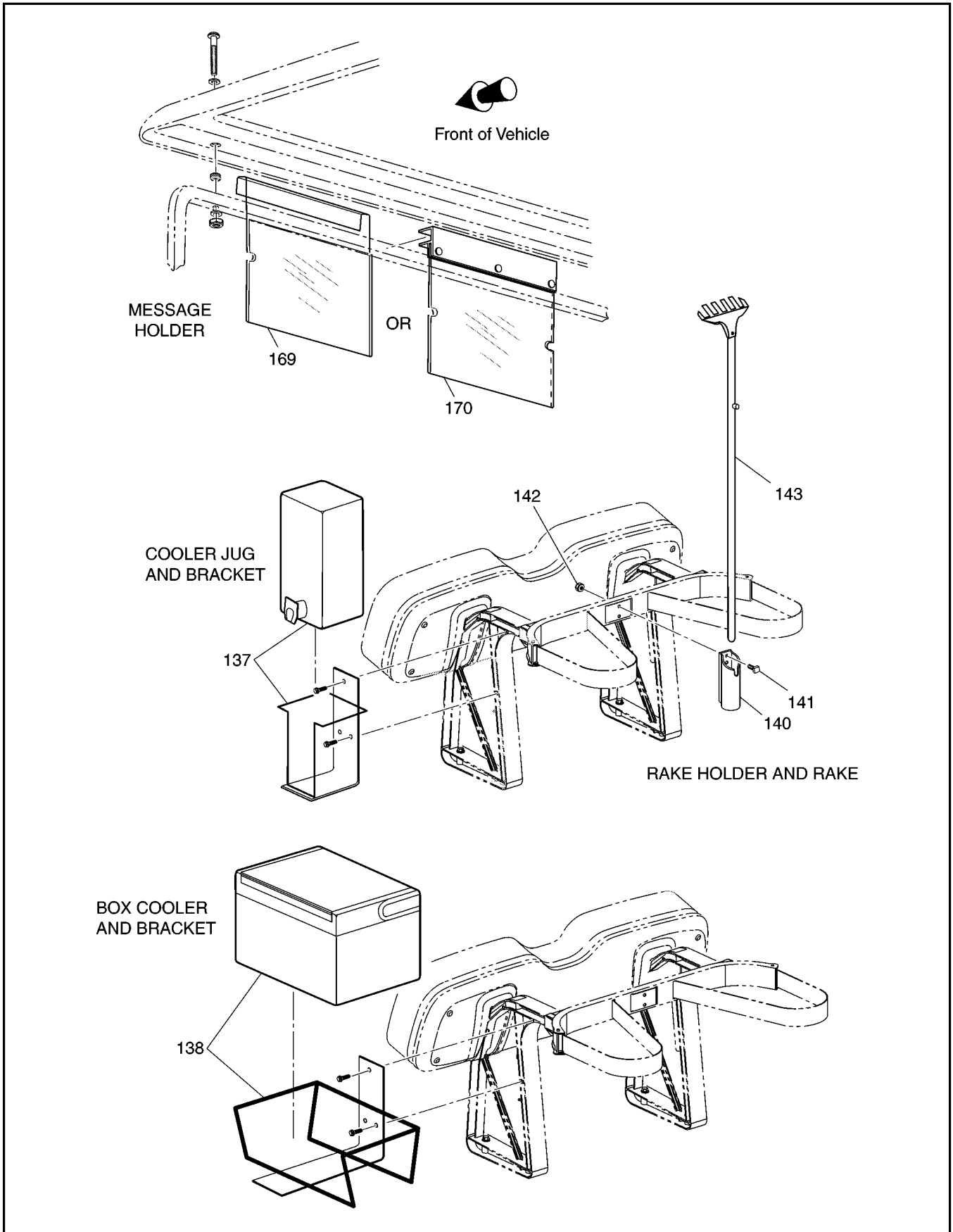


Items 102 - 120 Are For Use On Shuttle 2+2 and Convertible Carrier Models Only

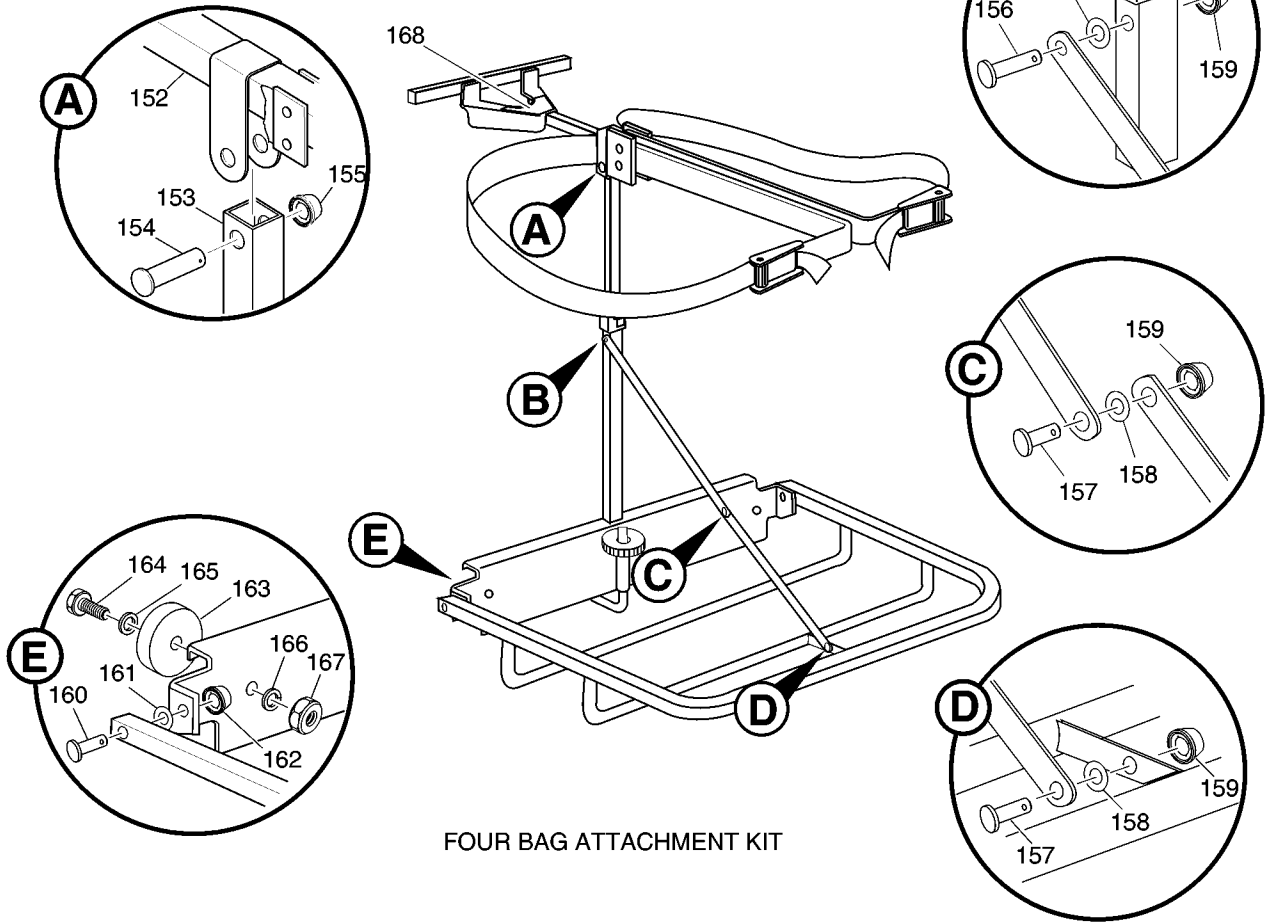




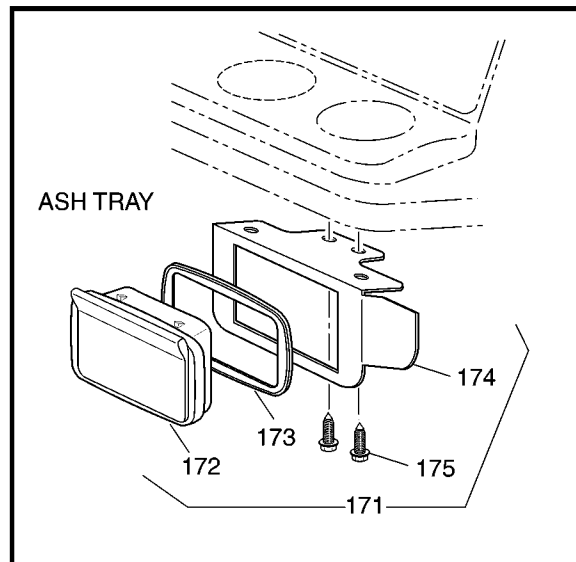
131 - Includes Items 132 - 135



151 - Includes Items 152 - 168



FOUR BAG ATTACHMENT KIT



When ordering parts, please specify the model and serial number of the product.

* Indicates a component that is not available as an individual part.

G** Indicates consult Customer Service Department for additional information.

| ITEM | PART NO. | 1 2 3 4 5 | DESCRIPTION | QTY. |
|------|-----------|-----------|--|------|
| 1 | 71151-G01 | | INSTRUMENT PANEL ASSEMBLY (INCLUDES ITEMS 2 - 5) | 1 |
| 2 | 71153-G01 | | BALL DEFLECTOR (PASSENGER SIDE) | 1 |
| 3 | 71154-G01 | | BALL DEFLECTOR (DRIVER SIDE)..... | 1 |
| 4 | 00614-G5 | | SCREW, #8 - 18 X 5/8" LG..... | 6 |
| 5 | 71158-G01 | | INSTRUMENT PANEL INSERT (4 CUP HOLDER) | 1 |
| 6 | 27647-G01 | | LABEL (SAFETY)..... | 1 |
| 7 | | | | |
| 8 | 71413-G01 | | SPLASH PANEL..... | 1 |
| 9 | 01036-G01 | | SCREW, #10 - 24 X 3/4" LG (EARLY 2000 PRODUCTION) | 4 |
| 10 | 11098-G7 | | LOCK NUT, #10 - 24 (EARLY 2000 PRODUCTION) | 4 |
| 11 | 16816-G2 | | RATCHET FASTENER, 1/4" X 3/4" LG (LATE 2000 PRODUCTION)..... | 4 |
| 12 | 16816-G2 | | RATCHET FASTENER, 1/4" X 3/4" LG | 1 |
| 13 | | | | |
| 14 | 71115-G01 | | VINYL TRIM | 2 |
| 15 | 71055-G01 | | RIVET, 3/16" X 3/8" LG | 10 |
| 16 | | | | |
| 17 | 01038-G01 | | SCREW, 1/4 - 20 X 1/2" LG | 4 |
| 18 | 16469-G7 | | WASHER, 1/4" | 2 |
| 19 | 16816-G2 | | RATCHET FASTENER, 1/4" X 3/4" LG | 2 |
| 20 | 27166-G02 | | FRONT SHIELD | 1 |
| 21 | 71015-G01 | | FRONT SHIELD BRACE..... | 2 |
| 22 | 71510-G01 | | UPPER FLOORPAN | 1 |
| 23 | 70662-G01 | | UPPER FLOORPAN (NEW STEERING) | 1 |
| 24 | 70451-G01 | | LOWER FLOORPAN..... | 1 |
| 25 | 70452-G01 | | ACCESS COVER..... | 1 |
| 26 | 14601-G11 | | RIVET, 3/16 X 9/16" LG..... | 16 |
| 27 | 70048-G01 | | FLOORMAT..... | 1 |
| 28 | 70663-G01 | | FLOORMAT (NEW STEERING) | 1 |
| 29 | 70663-G02 | | FLOORMAT WITH HORN HOLE (NEW STEERING)..... | 1 |
| 30 | | | | |

When ordering parts, please specify the model and serial number of the product.

* Indicates a component that is not available as an individual part.

G** Indicates consult Customer Service Department for additional information.

| ITEM | PART NO. | 1 2 3 4 5 | DESCRIPTION | QTY. |
|------|-----------|-----------|---|------|
| 31 | 71051-G** | | COWL | 1 |
| 32 | 71055-G01 | | RIVET, 3/16" X 3/8" LG | 9 |
| 33 | 10570-G11 | | RIVET, 3/16" X 3/4" LG | 2 |
| 34 | 71056-G01 | | BOLT, 5/16 - 18 X 5/8" LG | 4 |
| 35 | 00570-G2 | | WASHER, 5/16..... | 4 |
| 36 | 00438-G6 | | BOLT, 5/16 - 18 X 3/4" LG (WITH TOP) | 2 |
| 37 | 00571-G2 | | WASHER, 5/16" (WITH TOP) | 2 |
| 38 | | | | |
| 39 | 71037-G02 | | E-Z-GO NAMEPLATE (GOLD)..... | 1 |
| 40 | 12064-G3 | | PUSHNUT, 3/16" | 2 |
| 41 | | | | |
| 42 | * | | SERIAL NUMBER PLATE..... | 1 |
| 43 | * | | EC PLATE | 1 |
| 44 | 01041-G01 | | RIVET, 5/32" X 7/8" LG | 4 |
| 45 | | | | |
| 46 | | | | |
| 47 | 71501-G01 | | ROCKER PANEL (PASSENGER SIDE) | 1 |
| 48 | 71502-G01 | | ROCKER PANEL (DRIVER SIDE) | 1 |
| 49 | 71507-G01 | | SILL PLATE (PASSENGER SIDE) | 1 |
| 50 | 71507-G02 | | SILL PLATE (DRIVER SIDE) | 1 |
| 51 | 16705-G1 | | SCREW, 1/4 - 20 X 1" LG (STAINLESS STEEL) | 4 |
| 52 | 23726-G4 | | SPACER..... | 4 |
| 53 | 00891-G2 | | LOCK NUT, 1/4 - 20 | 4 |
| 54 | 23726-G6 | | SPACER..... | 1 |
| 55 | 15058-G4 | | RIVET, 3/16" X 5/16" LG | 2 |
| 56 | 23726-G7 | | SPACER..... | 1 |
| 57 | | | | |
| 58 | | | | |
| 59 | 70441-G01 | | SEAT FRAME..... | 1 |
| 60 | 70046-G01 | | BATTERY RACK | 1 |



When ordering parts, please specify the model and serial number of the product.

* Indicates a component that is not available as an individual part.

G** Indicates consult Customer Service Department for additional information.

| ITEM | PART NO. | 1 2 3 4 5 | DESCRIPTION | QTY. |
|------|-----------|-----------|--|------|
| 61 | 00715-G2 | | BOLT, 5/16 - 18 X 13/16" LG | 4 |
| 62 | 00438-G6 | | BOLT, 5/16 - 18 X 3/4" LG | 2 |
| 63 | 00559-G8 | | WASHER, 5/16" | 2 |
| 64 | 11098-G6 | | LOCK NUT, 5/16 - 18 | 2 |
| 65 | 70200-G01 | | SCREW, 3/8 - 16 X 1/4" LG | 2 |
| 66 | | | | |
| 67 | 71912-G** | | REAR BODY (WITHOUT TAILLIGHTS) (INCLUDES ITEMS 69, 70) | 1 |
| 68 | 71334-G** | | REAR BODY (WITH TAILLIGHTS) (INCLUDES ITEMS 69, 70) | 1 |
| 69 | 71318-G01 | | BAGWELL LINER | 1 |
| 70 | 16816-G1 | | RATCHET FASTENER, 1/4" X 5/8" LG | 26 |
| 71 | 75126-G01 | | FENDER SCUFFGUARD (DRIVER SIDE) | 1 |
| 72 | 75126-G02 | | FENDER SCUFFGUARD (PASSENGER SIDE) | 1 |
| 73 | 16816-G2 | | RATCHET FASTENER, 1/4" X 3/4" LG | 8 |
| 74 | 71320-G01 | | ACCESS PANEL | 1 |
| 75 | 71002-G01 | | SCREW, #8 X 5/8" LG | 5 |
| 76 | 71364-G02 | | "J" CLIP | 1 |
| 77 | 18436-G1 | | RIVET, 1/4" X 3/4" LG | 2 |
| 78 | 10570-G10 | | RIVET, 5/32" X 9/16" LG | 6 |
| 79 | 71515-G01 | | REAR BUMPER | 1 |
| 80 | 00559-G8 | | WASHER, 5/16" | 4 |
| 81 | 01039-G01 | | BOLT, 1/4 - 20 X 5/8" LG | 4 |
| 82 | 71514-G01 | | BUMPER PLUG | 4 |
| 83 | 14601-G17 | | RIVET, 3/16" X 9/16" LG | 4 |
| 84 | 71456-G01 | | NOTCHED REAR BUMPER (SHUTTLE 2+2) | 1 |
| 85 | 71398-G01 | | BOLT, 1/4 - 20 X 1 1/4" LG | 4 |
| 86 | 71455-G01 | | BUMPER PLUG | 4 |
| 87 | 71316-G01 | | HOLE PLUG (DASH MOUNDED DIRECTION SELECTOR SWITCH ONLY) | 1 |
| 88 | 71609-G01 | | HINGE PLATE | 2 |
| 89 | 10570-G11 | | RIVET, 3/16" X 3/4" LG | 4 |
| 90 | 10570-G12 | | RIVET, 1/4" X 1/2" LG | 4 |

When ordering parts, please specify the model and serial number of the product.

* Indicates a component that is not available as an individual part.

G** Indicates consult Customer Service Department for additional information.

| ITEM | PART NO. | 1 2 3 4 5 | DESCRIPTION | QTY. |
|------|-----------|-----------|--|------|
| 91 | | | | |
| 92 | 71914-G01 | | DECAL (FREEDOM)..... | AR |
| 93 | 35434-G01 | | DECAL (SHUTTLE) | AR |
| 94 | 35430-G12 | | DECAL (2+2)..... | AR |
| 95 | 73330-G01 | | DECAL (PRECISION DRIVE SYSTEM™)..... | AR |
| 96 | 70244-G02 | | SPLASH PANEL..... | 2 |
| 97 | 00715-G2 | | BOLT, 5/16 - 18 X 13/16" LG..... | 8 |
| 98 | 71812-G01 | | FENDER LINER (PASSENGER SIDE) | 1 |
| 99 | 71812-G02 | | FENDER LINER (DRIVER SIDE)..... | 1 |
| 100 | 16816-G2 | | RATCHET FASTENER, 1/4" X 3/4" LG..... | 8 |
| 101 | | | | |
| 102 | 75268-G01 | | SUPPORT | 1 |
| 103 | 00106-G6 | | SCREW, #12 - 24 X 3/4" LG | 2 |
| 104 | 19859-G1 | | END CAP, 3/4" | 2 |
| 105 | 20271-G2 | | HOLE PLUG, 1/2" | 2 |
| 106 | 70361-G01 | | FOOT REST ASSEMBLY (INCLUDES ITEMS 107 - 110)..... | 1 |
| 107 | 70350-G01 | | FOOTREST | 1 |
| 108 | 70362-G01 | | FLOORMAT | 1 |
| 109 | 74129-G01 | | REFLECTOR..... | 1 |
| 110 | 74132-G01 | | LABEL (WARNING)..... | 1 |
| 111 | 19853-G1 | | END CAP, 1" | 2 |
| 112 | 74149-G01 | | VALANCE PANEL | 1 |
| 113 | 16816-G2 | | RATCHET FASTENER, 1/4" X 3/4" LG..... | 4 |
| 114 | 00426-G8 | | BOLT, 3/8 - 16 X 1" LG..... | 2 |
| 115 | 74126-G01 | | VERTICAL FRAME SUPPORT (PASSENGER SIDE)..... | 1 |
| 116 | 74126-G02 | | VERTICAL FRAME SUPPORT (DRIVER SIDE) | 1 |
| 117 | 00427-G4 | | BOLT, 3/8 - 16 X 1 1/2" LG..... | 2 |
| 118 | 00560-G1 | | WASHER, 3/8" | 10 |
| 119 | 00769-G2 | | CARRIAGE BOLT, 3/8 - 16 X 1 1/4" LG..... | 2 |
| 120 | 11098-G5 | | LOCK NUT, 3/8 - 16 | 10 |



When ordering parts, please specify the model and serial number of the product.
 * Indicates a component that is not available as an individual part.
 G** Indicates consult Customer Service Department for additional information.

| ITEM | PART NO. | 1 | 2 | 3 | 4 | 5 | DESCRIPTION | QTY. |
|------|-----------|---|---|---|---|---|--|------|
| 121 | 75009-G01 | | | | | | SAND BOTTLE DIVOT REPAIR KIT (INCLUDES ITEMS 122 - 124)..... | 1 |
| 122 | 71102-G01 | | | | | | BOLT, 1/4 - 20 X 3/4" LG | 1 |
| 123 | 27374-G01 | | | | | | SAND BOTTLE HOLDER..... | 1 |
| 124 | 27373-G01 | | | | | | SAND BOTTLE..... | 1 |
| 125 | | | | | | | | |
| 126 | 75007-G02 | | | | | | SIDE BASKET KIT (INCLUDES ITEMS 127 - 129) | 1 |
| 127 | 75460-G01 | | | | | | SIDE BASKET | 1 |
| 128 | 71102-G01 | | | | | | BOLT, 1/4 - 20 X 3/4" LG | 3 |
| 129 | 01031-G01 | | | | | | FLAT WASHER, 1/4" | 3 |
| 130 | 23300-G01 | | | | | | BASKET DIVOT REPAIR KIT (INCLUDES SCOOP)..... | 1 |
| 131 | 75003-G02 | | | | | | CENTER BASKET KIT (INCLUDES ITEMS 132 - 135)..... | 1 |
| 132 | 75461-G01 | | | | | | CENTER BASKET..... | 1 |
| 133 | 71102-G01 | | | | | | BOLT, 1/4 - 20 X 3/4" LG | 3 |
| 134 | 01031-G01 | | | | | | FLAT WASHER, 1/4" | 3 |
| 135 | 01032-G01 | | | | | | PLASTITE SCREW, #10 X 5/8" LG | 2 |
| 136 | | | | | | | | |
| 137 | 75495-G01 | | | | | | COOLER JUG AND BRACKET KIT..... | 1 |
| 138 | 75344-G01 | | | | | | BOX COOLER AND BRACKET KIT | 1 |
| 139 | | | | | | | | |
| 140 | 25885-G01 | | | | | | RAKE HOLDER | 1 |
| 141 | 00989-G06 | | | | | | SQUARE HEAD BOLT, 1/4 - 20 X 3/4" LG..... | 2 |
| 142 | 11027-G2 | | | | | | LOCK NUT, 1/4 - 20 | 2 |
| 143 | 14735-G1 | | | | | | RAKE | 1 |
| 144 | | | | | | | | |
| 145 | 75183-G01 | | | | | | TWO BAG ATTACHMENT KIT (INCLUDES ITEMS 146 - 149)..... | 1 |
| 146 | 75188-G01 | | | | | | BAG ATTACHMENT | 1 |
| 147 | 22238-G2 | | | | | | KNOB, 3/8 - 16 X 1 1/2" LG..... | 1 |
| 148 | 17255-G1 | | | | | | TEFLON WASHER, 5/16" | 1 |
| 149 | 75187-G01 | | | | | | SUPPORT BRACKET | 1 |
| 150 | | | | | | | | |

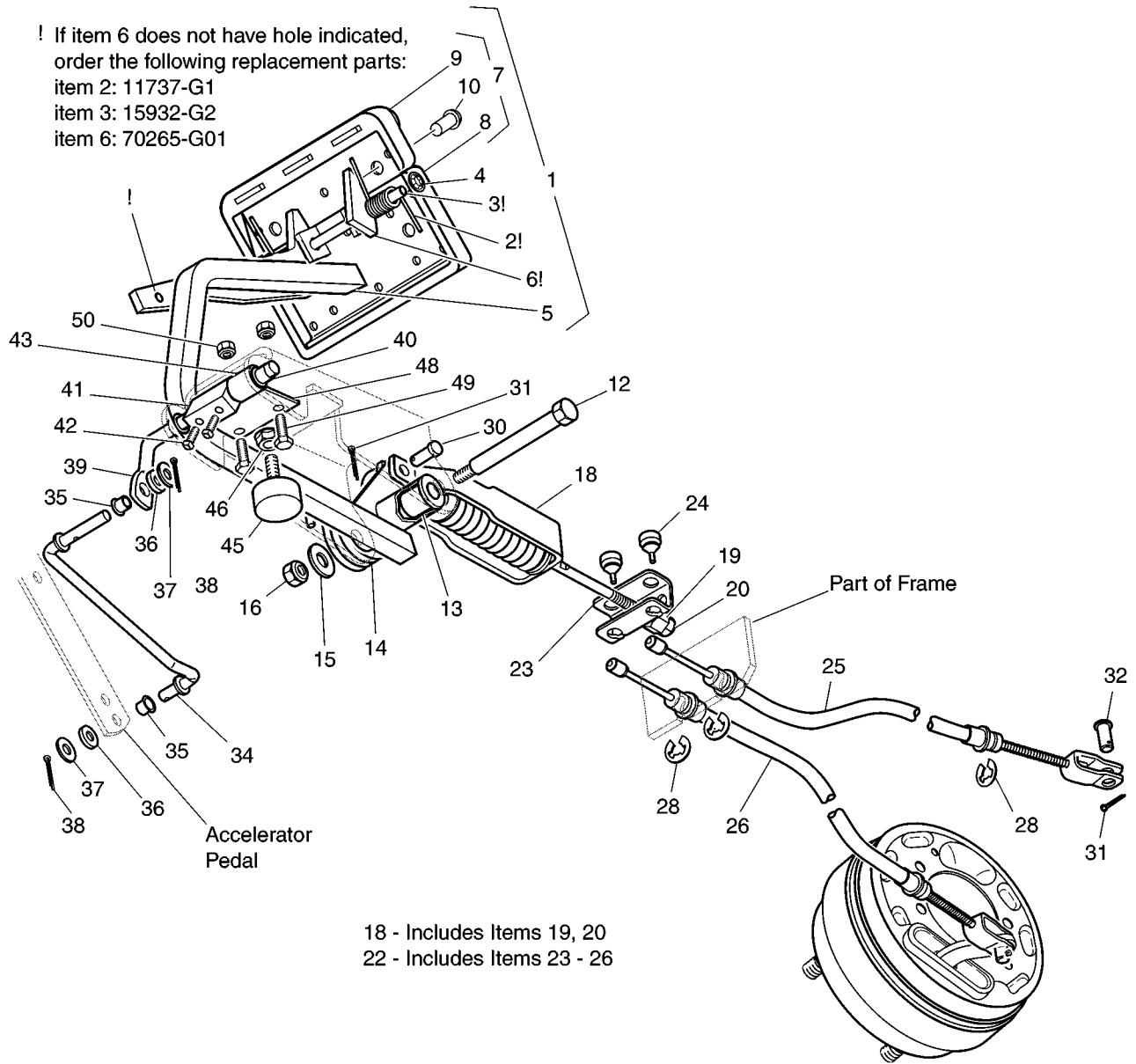


When ordering parts, please specify the model and serial number of the product.
 * Indicates a component that is not available as an individual part.
 G** Indicates consult Customer Service Department for additional information.

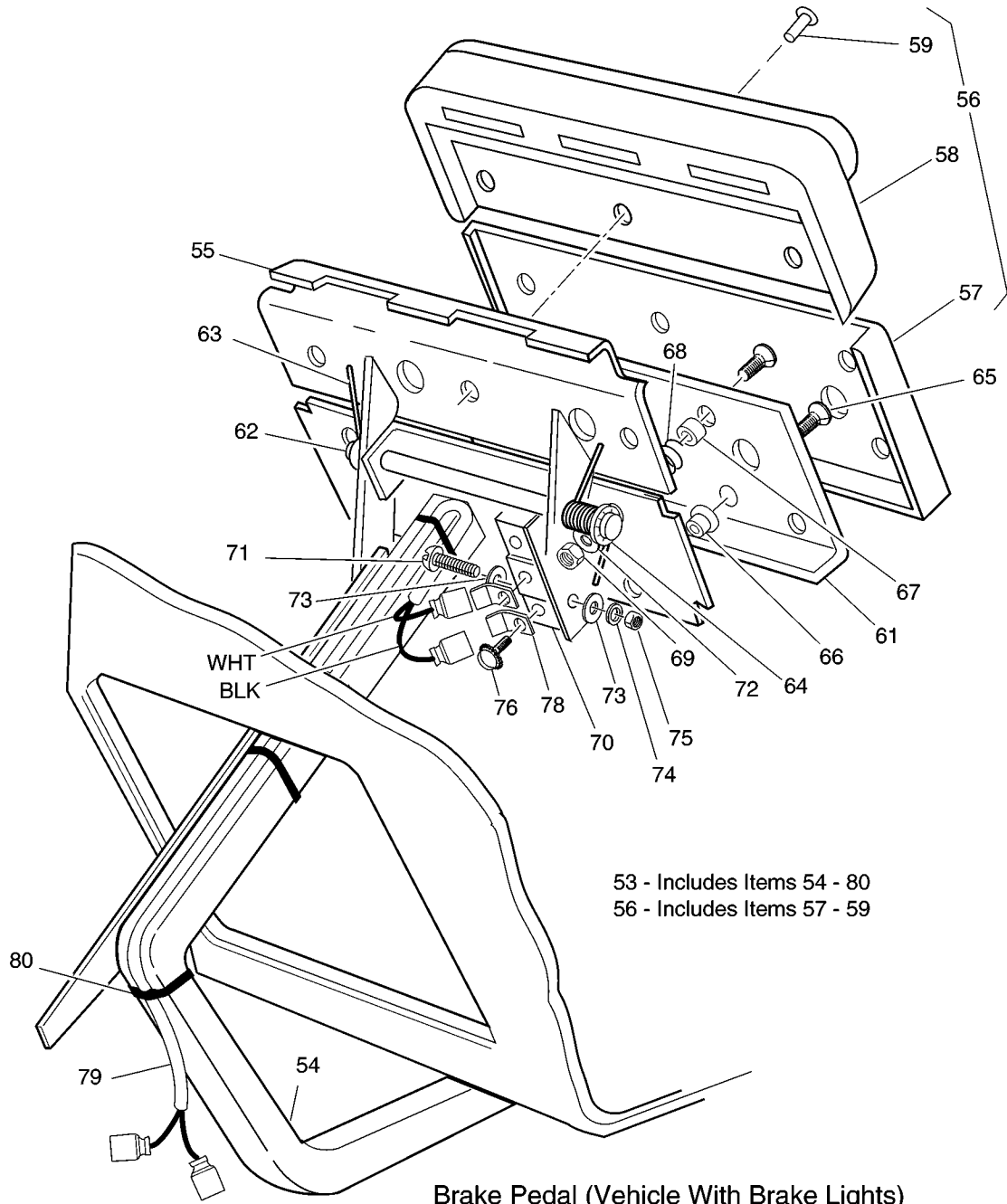
| ITEM | PART NO. | 1 | 2 | 3 | 4 | 5 | DESCRIPTION | QTY. |
|------|-----------|---|---|---|---|---|--|------|
| 151 | 75355-G01 | | | | | | FOUR BAG ATTACHMENT KIT (INCLUDES ITEMS 152 - 168) | 1 |
| 152 | * | | | | | | TOP ASSEMBLY | 1 |
| 153 | * | | | | | | BOTTOM ASSEMBLY | 1 |
| 154 | 17651-G2 | | | | | | CLEVIS PIN, 5/16 X 1 1/4" LG | 1 |
| 155 | 28129-G01 | | | | | | PUSH NUT, 5/16" | 1 |
| 156 | 17651-G2 | | | | | | CLEVIS PIN, 5/16 X 1 1/4" LG | 1 |
| 157 | 17651-G3 | | | | | | CLEVIS PIN, 5/16 X 1/2" LG | 2 |
| 158 | 00559-G8 | | | | | | WASHER, 5/16"..... | 3 |
| 159 | 28129-G01 | | | | | | PUSH NUT, 5/16" | 3 |
| 160 | * | | | | | | CLEVIS PIN 3/8 X 1 1/4" LG | 2 |
| 161 | 00560-G1 | | | | | | WASHER, 3/8"..... | 2 |
| 162 | * | | | | | | PUSH NUT, 3/8" | 2 |
| 163 | 13728-G1 | | | | | | RUBBER BUMPER | 2 |
| 164 | 00150-G6 | | | | | | SCREW, #10 - 24 X 3/4" LG..... | 2 |
| 165 | 00559-G5 | | | | | | WASHER, #10..... | 2 |
| 166 | 00565-G5 | | | | | | LOCK WASHER, #10..... | 2 |
| 167 | 00526-G3 | | | | | | NUT, #10 - 24 | 2 |
| 168 | * | | | | | | LABEL (WARNING)..... | 1 |
| 169 | 75509-G01 | | | | | | MESSAGE HOLDER (ONE PIECE)..... | 1 |
| 170 | 75496-G01 | | | | | | MESSAGE HOLDER | 1 |
| 171 | 75109-G02 | | | | | | ASH TRAY KIT (INCLUDES ITEMS 172 - 175) | 1 |
| 172 | 27731-G01 | | | | | | ASH TRAY | 1 |
| 173 | 27736-G01 | | | | | | GASKET | 1 |
| 174 | 75108-G01 | | | | | | BRACKET..... | 1 |
| 175 | 00100-G4 | | | | | | SCREW, #10 - 16 X 1/2" LG..... | 4 |
| 176 | | | | | | | | |
| 177 | 01038-G01 | | | | | | BOLT, 1/4 - 20 X 11/16" LG | 2 |
| 178 | 01042-G01 | | | | | | "J" TYPE NUT RETAINER | 2 |
| 179 | 71457-G01 | | | | | | BUMPER STAY | 4 |

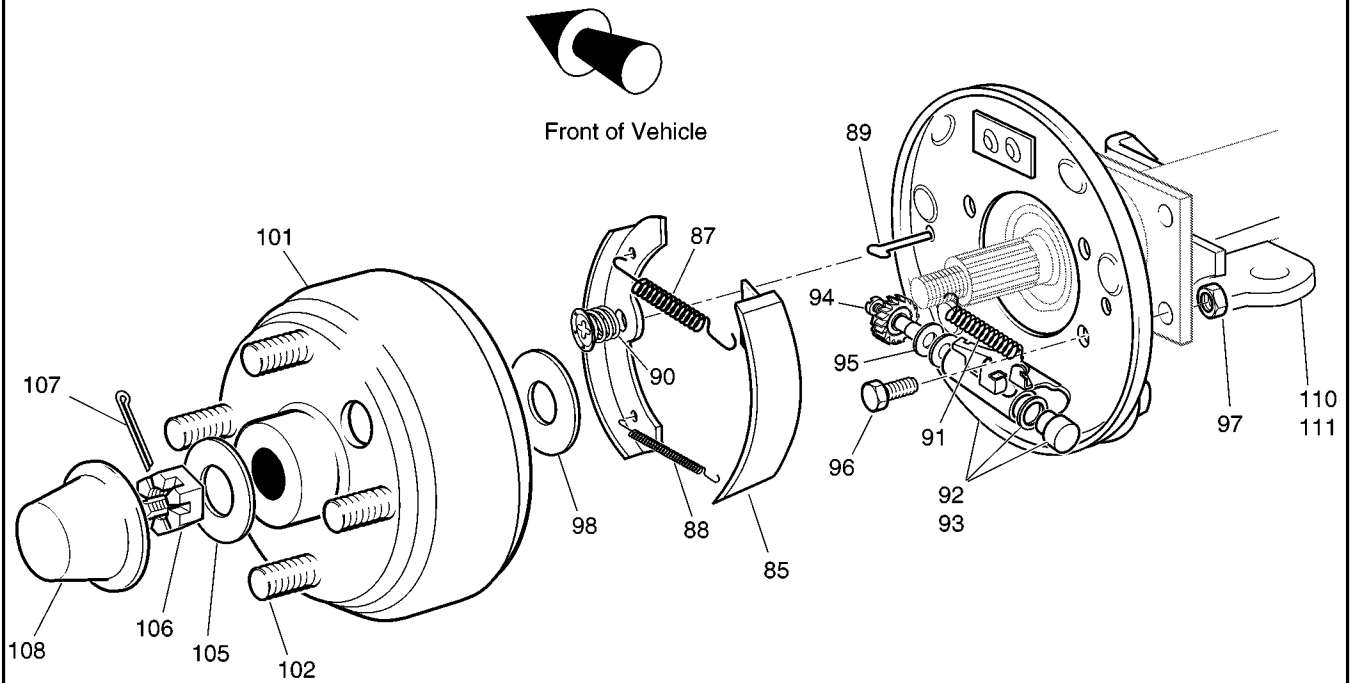


! If item 6 does not have hole indicated,
order the following replacement parts:
item 2: 11737-G1
item 3: 15932-G2
item 6: 70265-G01



18 - Includes Items 19, 20
22 - Includes Items 23 - 26





- 82 - Includes Items 84 - 92
- 83 - Includes Items 84-91, 93
- 84 - Includes Items 85
- 86 - Includes Items 87 - 91
- 92 - Includes Items 94, 95
- 93 - Includes Items 94, 95
- 100 - Includes Items 101, 102

When ordering parts, please specify the model and serial number of the product.

* Indicates a component that is not available as an individual part.

G** Indicates consult Customer Service Department for additional information.

| ITEM | PART NO. | 1 2 3 4 5 | DESCRIPTION | QTY. |
|------|-----------|-----------|--|------|
| 1 | 70612-G01 | | BRAKE PEDAL ASSEMBLY (WITHOUT BRAKE LIGHTS) (INCLUDES ITEMS 2 - 10) | 1 |
| 2 | 70681-G01 | | TORSION SPRING | 2 |
| 3 | 70682-G01 | | PIVOT PIN..... | 1 |
| 4 | 12064-G1 | | PUSHNUT, 5/16" | 1 |
| 5 | * | | BRAKE PEDAL..... | 1 |
| 6 | 70611-G01 | | PARK BRAKE PEDAL..... | 1 |
| 7 | 70274-G01 | | BRAKE/PARK BRAKE PEDAL PAD KIT (INCLUDES ITEMS 8 - 10)..... | 1 |
| 8 | * | | SERVICE BRAKE PAD | 1 |
| 9 | * | | PARK BRAKE PEDAL PAD..... | 1 |
| 10 | 15766-G1 | | OVAL RIVET, 3/16" X 3/8" LG | 9 |
| 11 | | | | |
| 12 | 70582-G01 | | SHOULDER BOLT, 3/8 - 16 X 4" LG..... | 1 |
| 13 | 70581-G01 | | FLANGED BUSHING | 2 |
| 14 | 70676-G01 | | TORSION SPRING | 1 |
| 15 | 00643-G1 | | WASHER, 3/8" | 1 |
| 16 | 11098-G5 | | LOCK NUT, 3/8 - 16 | 1 |
| 17 | | | | |
| 18 | 70272-G04 | | COMPENSATOR ASSEMBLY (INCLUDES ITEMS 19, 20)..... | 1 |
| 19 | 00963-G01 | | SPHERICAL NUT, 5/16 - 24..... | 1 |
| 20 | 11098-G9 | | LOCK NUT, 5/16 - 24..... | 1 |
| 21 | | | | |
| 22 | 70716-G03 | | EQUALIZER AND BRAKE CABLE ASSEMBLY (INCLUDES ITEMS 23-26) | 1 |
| 23 | 28082-G01 | | EQUALIZER BRACKET | 1 |
| 24 | 28083-G01 | | BRAKE COMPENSATOR BUMPER | 2 |
| 25 | * | | BRAKE CABLE (DRIVER SIDE) | 1 |
| 26 | * | | BRAKE CABLE (PASSENGER SIDE)..... | 1 |
| 27 | | | | |
| 28 | 12305-G1 | | RETAINING RING | 4 |
| 29 | | | | |



When ordering parts, please specify the model and serial number of the product.
 * Indicates a component that is not available as an individual part.
 G** Indicates consult Customer Service Department for additional information.

| ITEM | PART NO. | 1 2 3 4 5 | DESCRIPTION | QTY. |
|------|-----------|-----------|--|------|
| 30 | 10386-G3 | | CLEVIS PIN, 5/16" X 1" LG..... | 3 |
| 31 | 10387-G3 | | COTTER PIN, 3/32" X 3/4" LG..... | 3 |
| 32 | 14443-G2 | | CLEVIS PIN, 5/16" X 3/4" LG..... | 2 |
| 33 | | | | |
| 34 | 70601-G01 | | KICK-OFF LINK | 1 |
| 35 | 17838-G1 | | NYLON BUSHING..... | 2 |
| 36 | 20835-G1 | | TEFLON WASHER, 3/8" | 2 |
| 37 | 00559-G8 | | WASHER, 5/16" | 2 |
| 38 | 10387-G3 | | COTTER PIN, 3/32" X 3/4" LG..... | 2 |
| 39 | 70098-G01 | | KICK-OFF CAM PIVOT..... | 1 |
| 40 | 10097-G6 | | FLANGED BEARING | 2 |
| 41 | 70587-G01 | | KICK-OFF CAM..... | 1 |
| 42 | 71215-G01 | | SETSCREW, 1/4 - 20 X 1/2" LG | 2 |
| 43 | 14134-G4 | | SPACER..... | 1 |
| 44 | | | | |
| 45 | 70113-G01 | | ADJUSTABLE BUMPER..... | 1 |
| 46 | 11027-G1 | | LOCK NUT, 5/16 - 18 | 1 |
| 47 | | | | |
| 48 | 70080-G01 | | CATCH BRACKET | 1 |
| 49 | 00414-G6 | | BOLT, 1/4 - 20 X 3/4" LG..... | 2 |
| 50 | 00891-G2 | | LOCK NUT, 1/4 - 20 | 2 |
| 51 | | | | |
| 52 | | | | |
| 53 | 70690-G01 | | BRAKE PEDAL ASSEMBLY (WITH BRAKE LIGHTS) (INCLUDES ITEMS 54 - 80) | 1 |
| 54 | * | | BRAKE PEDAL..... | 1 |
| 55 | 70611-G01 | | PARK BRAKE PEDAL | 1 |
| 56 | 70274-G01 | | BRAKE/PARK BRAKE PEDAL PAD KIT (INCLUDES ITEMS 57 - 59) | 1 |
| 57 | * | | SERVICE BRAKE PAD | 1 |
| 58 | * | | PARK BRAKE PAD | 1 |



When ordering parts, please specify the model and serial number of the product.

* Indicates a component that is not available as an individual part.

G** Indicates consult Customer Service Department for additional information.

| ITEM | PART NO. | 1 | 2 | 3 | 4 | 5 | DESCRIPTION | QTY. |
|------|-----------|---|---|---|---|---|--|------|
| 59 | 15766-G1 | | | | | | OVAL RIVET, 3/16" x 3/8" LG..... | 9 |
| 60 | | | | | | | | |
| 61 | 70258-G02 | | | | | | SERVICE BRAKE PEDAL PLATE..... | 1 |
| 62 | 70682-G01 | | | | | | PIVOT PIN..... | 1 |
| 63 | 70681-G01 | | | | | | TORSION SPRING | 2 |
| 64 | 12064-G1 | | | | | | PUSHNUT, 5/16" | 1 |
| 65 | 00737-G8 | | | | | | SCREW, #10 - 24 X 1" LG..... | 4 |
| 66 | 00739-G1 | | | | | | RUBBER NUT, #10 - 24 | 2 |
| 67 | 22362-G3 | | | | | | BRAKE PEDAL STANDOFF | 2 |
| 68 | 27137-G01 | | | | | | CONICAL SPRING..... | 2 |
| 69 | 11098-G7 | | | | | | LOCK NUT, #10 - 24..... | 2 |
| 70 | 10606-G8 | | | | | | MICRO SWITCH | 1 |
| 71 | 00957-G1 | | | | | | SCREW, #6 - 32 X 1 1/4" LG..... | 2 |
| 72 | 00559-G5 | | | | | | WASHER, #10..... | 2 |
| 73 | 00559-G3 | | | | | | WASHER, #6..... | 4 |
| 74 | 00565-G3 | | | | | | LOCK WASHER, #6..... | 2 |
| 75 | 00525-G5 | | | | | | NUT, #6 - 32 | 2 |
| 76 | 13514-G1 | | | | | | SCREW AND LOCK WASHER, #6 | 2 |
| 77 | | | | | | | | |
| 78 | 14628-G1 | | | | | | FASTON TAB | 2 |
| 79 | 24605-G1 | | | | | | WIRE HARNESS (BRAKE LIGHT)..... | 1 |
| 80 | 17618-G1 | | | | | | WIRE TIE..... | 3 |
| 81 | | | | | | | | |
| 82 | 70793-G01 | | | | | | BRAKE ASSEMBLY (DRIVER SIDE) (INCLUDES ITEMS 84 - 95)..... | 1 |
| 83 | 70793-G02 | | | | | | BRAKE ASSEMBLY (PASSENGER SIDE) (INCLUDES ITEMS 84 - 95) | 1 |
| 84 | 70794-G01 | | | | | | BRAKE SHOE KIT (INCLUDES ITEM 85) | 2 |
| 85 | * | | | | | | BRAKE SHOE..... | 2 |
| 86 | 27944-G01 | | | | | | BRAKE SPRING KIT (INCLUDES ITEMS 87 - 91) | 2 |
| 87 | * | | | | | | UPPER SPRING | 1 |
| 88 | * | | | | | | LOWER SPRING | 1 |

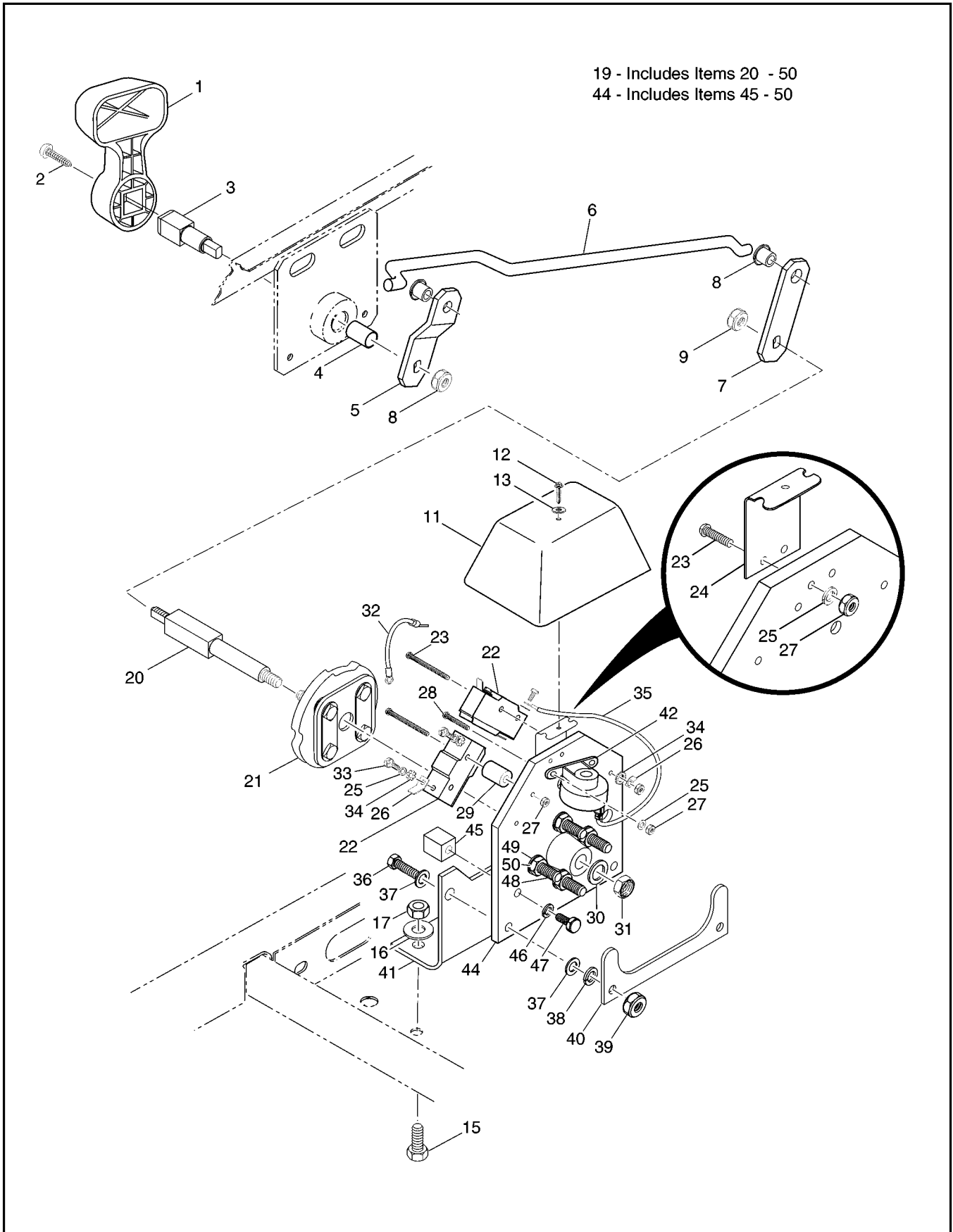
BRAKES

Electric Vehicle

When ordering parts, please specify the model and serial number of the product.
 * Indicates a component that is not available as an individual part.
 G** Indicates consult Customer Service Department for additional information.

| ITEM | PART NO. | 1 | 2 | 3 | 4 | 5 | DESCRIPTION | QTY. |
|------|-----------|---|---|---|---|---|--|------|
| 89 | * | | | | | | PIN | 2 |
| 90 | * | | | | | | CUP AND SPRING | 2 |
| 91 | * | | | | | | ADJUSTER SPRING..... | 1 |
| 92 | 72582-G01 | | | | | | BRAKE ADJUSTER KIT (DRIVER SIDE) (INCLUDES ITEMS 94, 95)..... | 1 |
| 93 | 72582-G02 | | | | | | BRAKE ADJUSTER KIT (PASSENGER SIDE) (INCL. ITEMS 94, 95) | 1 |
| 94 | * | | | | | | ADJUSTER | 1 |
| 95 | * | | | | | | TEFLON WASHER | 2 |
| 96 | 17083-G2 | | | | | | BOLT, 5/16 - 24 X 1" LG..... | 8 |
| 97 | 15126-G1 | | | | | | LOCK NUT, 5/16 - 24 | 8 |
| 98 | 15485-G1 | | | | | | INNER BRAKE DRUM WASHER | 2 |
| 99 | | | | | | | | |
| 100 | 19186-G1 | | | | | | BRAKE DRUM ASSEMBLY (INCLUDES ITEMS 101 - 102) | 2 |
| 101 | * | | | | | | BRAKE DRUM..... | 1 |
| 102 | 19862-G1 | | | | | | LUG BOLT, 1/2 - 20 | 4 |
| 103 | | | | | | | | |
| 104 | | | | | | | | |
| 105 | 15487-G1 | | | | | | WASHER, 1 3/8" O.D. X 21/32" | 2 |
| 106 | 15483-G1 | | | | | | SLOTTED NUT, 5/8 - 18..... | 2 |
| 107 | 10387-G1 | | | | | | COTTER PIN, 1/8" X 1 1/2" LG..... | 2 |
| 108 | 74175-G01 | | | | | | SPINDLE CAP | 2 |
| 109 | | | | | | | | |
| 110 | 72036-G01 | | | | | | BRAKE CABLE BRACKET (PASSENGER SIDE) | 1 |
| 111 | 72036-G02 | | | | | | BRAKE CABLE BRACKET (DRIVER SIDE)..... | 1 |





THE USE OF NON UL PARTS WILL VOID ANY UL LISTING.

When ordering parts, please specify the model and serial number of the product.

* Indicates a component that is not available as an individual part.

G** Indicates consult Customer Service Department for additional information.

| ITEM | PART NO. | 1 2 3 4 5 | DESCRIPTION | QTY. |
|------|-----------|-----------|--|------|
| 1 | 71205-G01 | | DIRECTION SELECTOR HANDLE | 1 |
| 2 | 00740-G4 | | SCREW, #10 - 32 X 1/2" LG (STAINLESS STEEL) | 1 |
| 3 | 70233-G01 | | DIRECTION SELECTOR SHAFT..... | 1 |
| 4 | 25664-G2 | | BEARING | 1 |
| 5 | 70334-G01 | | OFFSET SHIFT LINKAGE ARM | 1 |
| 6 | 70313-G01 | | LINKAGE ROD..... | 1 |
| 7 | 70232-G03 | | SHIFT LINKAGE ARM | 1 |
| 8 | 22754-G3 | | BUSHING..... | 2 |
| 9 | 14390-G1 | | LOCK NUT, 3/8 - 24 | 2 |
| 10 | | | | |
| 11 | 73049-G01 | | DIRECTION SELECTOR COVER | 1 |
| 12 | 00114-G6 | | SCREW, 1/4 - 14 X 3/4" LG | 1 |
| 13 | 16469-G7 | | WASHER, 1/4" (STAINLESS STEEL)..... | 1 |
| 14 | | | | |
| 15 | 00438-G6 | | BOLT, 5/16 - 18 X 3/4" LG..... | 2 |
| 16 | 00571-G2 | | WASHER, 5/16" | 2 |
| 17 | 11098-G6 | | LOCK NUT, 5/16 - 18 | 2 |
| 18 | | | | |
| 19 | 70578-G01 | | DIRECTION SELECTOR ASSEMBLY (INCLUDES ITEMS 20 - 50) | 1 |
| 20 | 73027-G01 | | DIRECTION SELECTOR SHAFT | 1 |
| 21 | 12835-G1 | | CAM..... | 1 |
| 22 | 10606-G2 | | MICRO SWITCH..... | 2 |
| 23 | 00645-G7 | | SCREW, #6 - 32 X 2" LG | 4 |
| 24 | 73048-G01 | | COVER BRACKET | 1 |
| 25 | 00565-G3 | | LOCK WASHER, #6 | 8 |
| 26 | 14628-G1 | | FASTON TAB, 5/16" X 5/16"..... | 4 |
| 27 | 00525-G5 | | NUT, #6 - 32..... | 8 |
| 28 | 00645-G5 | | SCREW, #6 - 32 X 5/8" LG..... | 3 |
| 29 | 12806-G1 | | SPACER | 4 |
| 30 | 00560-G1 | | WASHER, 3/8" | 1 |

DIRECTION SELECTOR

Electric Vehicle

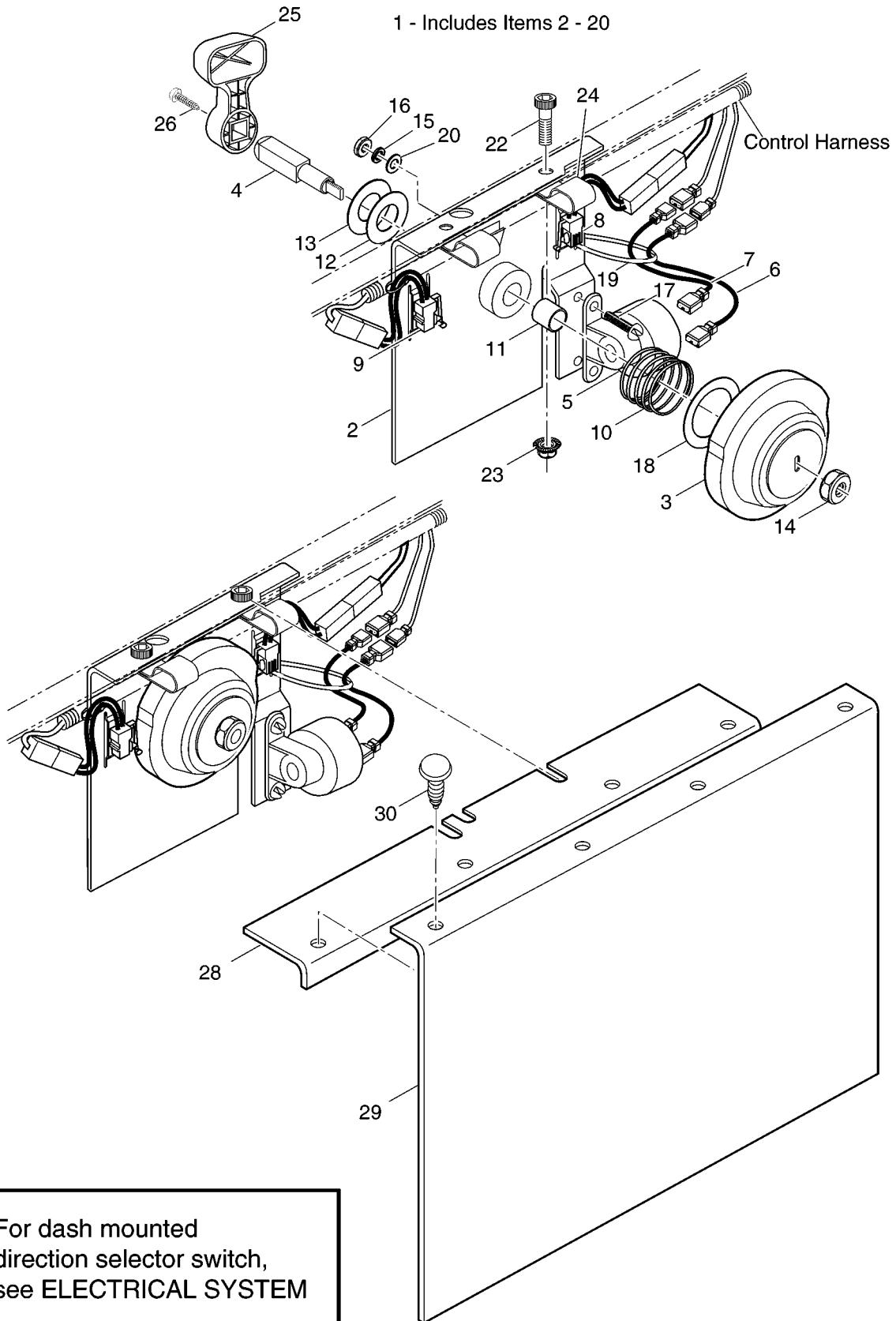
THE USE OF NON UL PARTS WILL VOID ANY UL LISTING.

When ordering parts, please specify the model and serial number of the product.

* Indicates a component that is not available as an individual part.

G** Indicates consult Customer Service Department for additional information.

| ITEM | PART NO. | 1 | 2 | 3 | 4 | 5 | DESCRIPTION | QTY. |
|------|------------|---|---|---|---|---|---|------|
| 31 | 14390-G1 | | | | | | LOCK NUT, 3/8 - 24 | 2 |
| 32 | 25978-G37 | | | | | | 18 GA WIRE (RED 6") | 1 |
| 33 | * | | | | | | SCREW..... | 4 |
| 34 | 00567-G3 | | | | | | LOCK WASHER, #6 | 4 |
| 35 | 25978-G256 | | | | | | 18 GA WIRE (RED 6") | 1 |
| 36 | 00414-G8 | | | | | | BOLT, 1/4 - 20 X 1" LG..... | 2 |
| 37 | 00559-G7 | | | | | | WASHER, 1/4" | 4 |
| 38 | 00565-G7 | | | | | | LOCK WASHER, 1/4" | 2 |
| 39 | 00532-G1 | | | | | | NUT, 1/4 - 20..... | 2 |
| 40 | 15461-G1 | | | | | | SUPPORT BRACKET..... | 1 |
| 41 | 73031-G01 | | | | | | DIRECTION SELECTOR MOUNTING BRACKET | 1 |
| 42 | 73290-G02 | | | | | | REVERSE WARNING BUZZER | 1 |
| 43 | | | | | | | | |
| 44 | 14651-G1 | | | | | | CONTACT BOARD ASSEMBLY (INCLUDES ITEMS 45 - 50) | 1 |
| 45 | 24940-G1 | | | | | | STOP | 2 |
| 46 | 00565-G7 | | | | | | LOCK WASHER, 1/4" | 2 |
| 47 | 00414-G6 | | | | | | BOLT, 1/4 - 20 X 3/4" LG | 2 |
| 48 | 18888-G1 | | | | | | CONTACT STUD, 5/16 - 18 | 4 |
| 49 | 00565-G8 | | | | | | LOCK WASHER, 5/16"..... | 4 |
| 50 | 00544-G3 | | | | | | NUT, 5/16 - 18 | 4 |



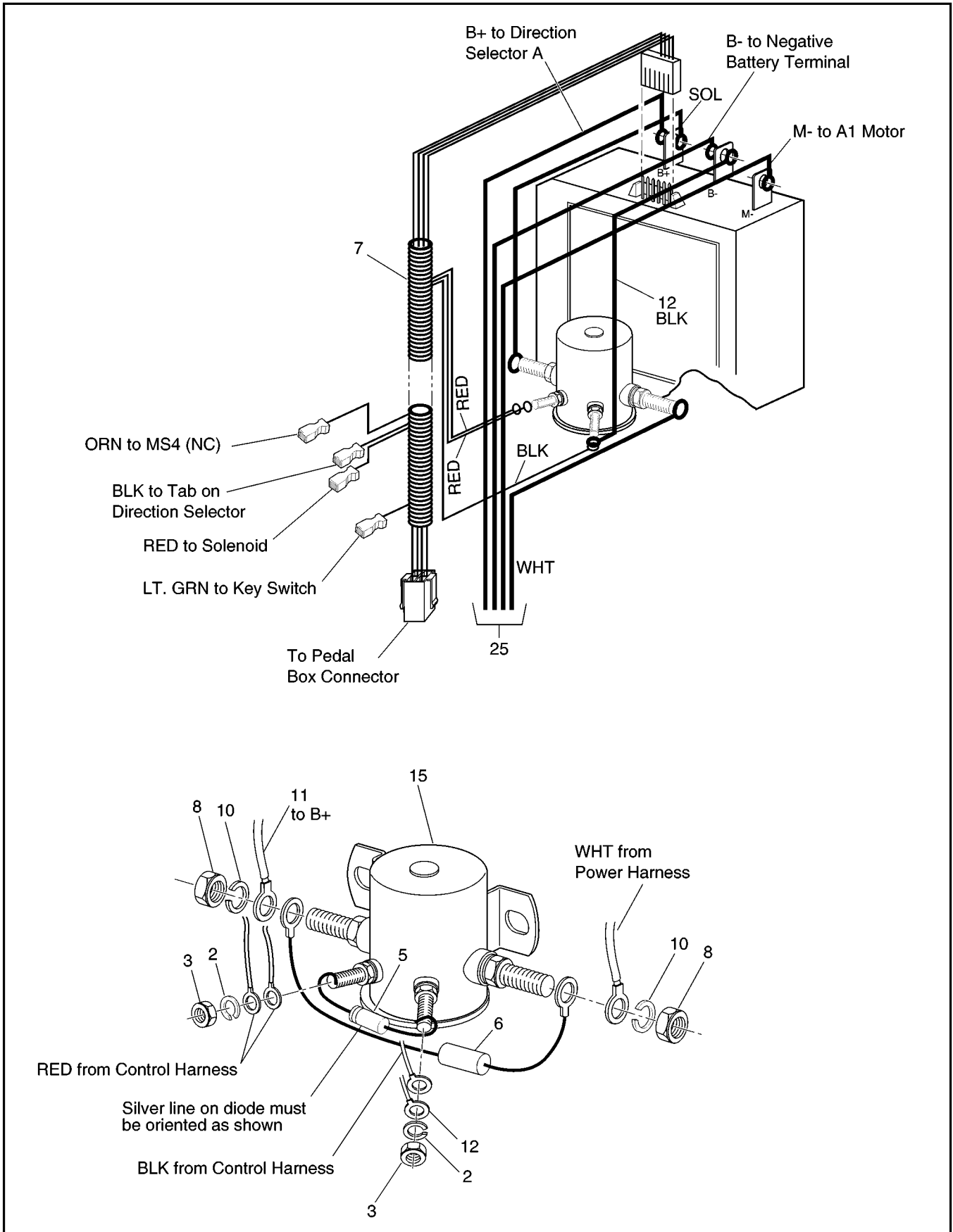
THE USE OF NON UL PARTS WILL VOID ANY UL LISTING.

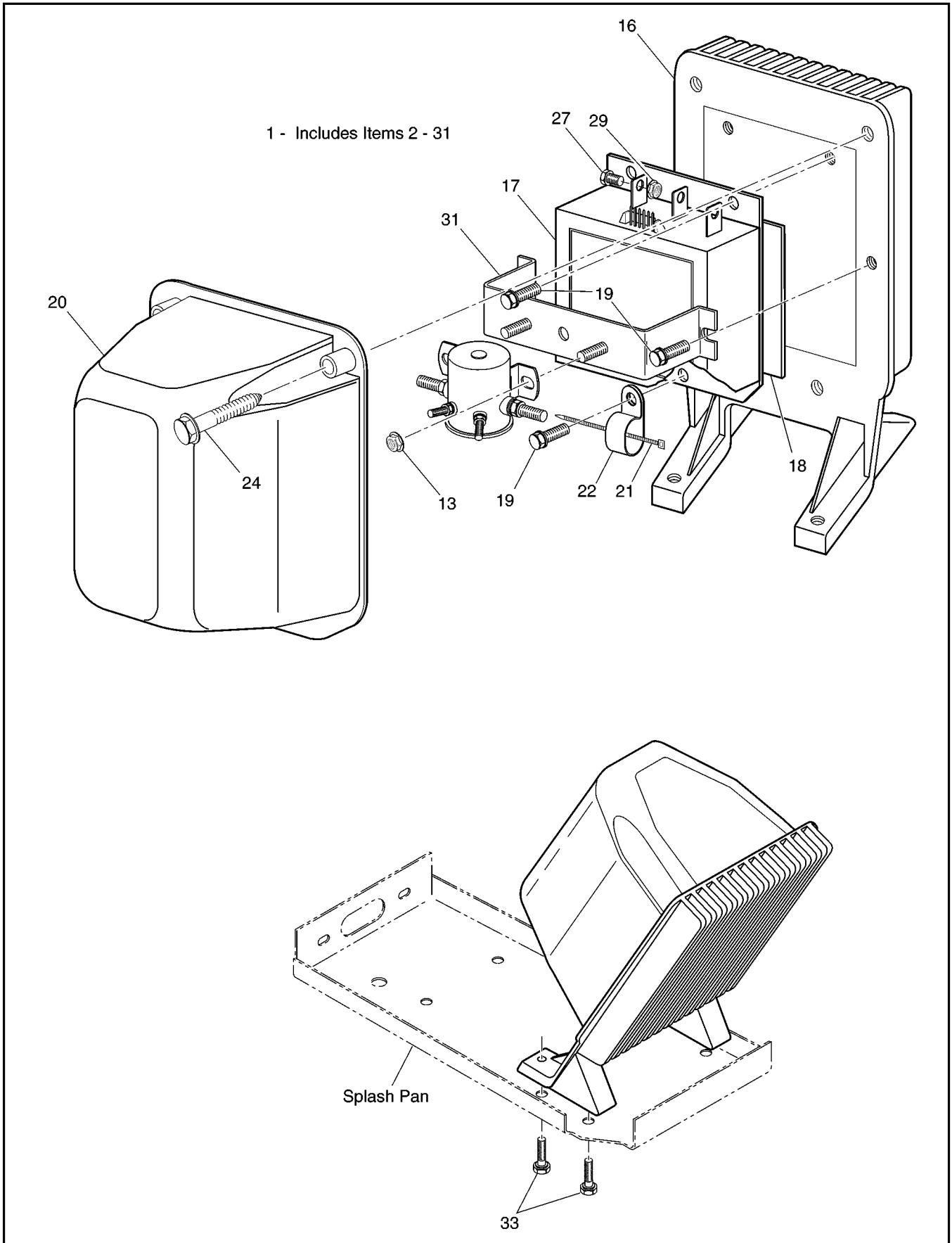
When ordering parts, please specify the model and serial number of the product.

* Indicates a component that is not available as an individual part.

G** Indicates consult Customer Service Department for additional information.

| ITEM | PART NO. | 1 2 3 4 5 | DESCRIPTION | QTY. |
|------|------------|-----------|---|------|
| 1 | 73180-G03 | | DIRECTION SELECTOR ASSEMBLY (INCLUDES ITEMS 2 - 20) | 1 |
| 2 | 73179-G01 | | BRACKET..... | 1 |
| 3 | 73167-G02 | | CAM..... | 1 |
| 4 | 73171-G01 | | DIRECTION SELECTOR SHAFT | 1 |
| 5 | 73290-G02 | | REVERSE WARNING BUZZER (CONTINUOUS TONE) | 1 |
| 6 | 25978-G287 | | 18 GA WIRE (BLACK 6")..... | 1 |
| 7 | 25978-G286 | | 18 GA WIRE (RED 6")..... | 1 |
| 8 | 73195-G01 | | MICRO SWITCH..... | 1 |
| 9 | 73194-G01 | | MICRO SWITCH..... | 1 |
| 10 | 73188-G01 | | COMPRESSION SPRING | 1 |
| 11 | 25664-G1 | | BUSHING | 1 |
| 12 | 00771-G4 | | NYLON WASHER, 1/2" | 1 |
| 13 | 73181-G01 | | WASHER, 1/2" | 1 |
| 14 | 14390-G1 | | LOCK NUT, 3/8 - 24..... | 1 |
| 15 | 00565-G3 | | LOCK WASHER, #6 | 2 |
| 16 | 00525-G5 | | NUT, #6..... | 2 |
| 17 | 00138-G5 | | SCREW, #6 - 32 X 5/8" LG..... | 2 |
| 18 | 73182-G01 | | NYLON WASHER, 1 3/8" | 1 |
| 19 | 17618-G1 | | WIRE TIE..... | 3 |
| 20 | 00559-G3 | | WASHER, #6 | 2 |
| 21 | | | | |
| 22 | 70227-G01 | | BOLT, 1/4 - 20 X 7/8" LG..... | 2 |
| 23 | 11027-G2 | | LOCK NUT, 1/4 - 20 | 2 |
| 24 | 73053-G01 | | DOUBLE TUBE CLAMP | 2 |
| 25 | 71905-G01 | | DIRECTION SELECTOR HANDLE | 1 |
| 26 | 00740-G4 | | SCREW (STAINLESS STEEL) #10 - 32 X 1/2" LG..... | 1 |
| 27 | | | | |
| 28 | 73301-G01 | | DIRECTION SELECTOR COVER BRACKET | 1 |
| 29 | 73293-G01 | | DIRECTION SELECTOR COVER | 1 |
| 30 | 16816-G1 | | RATCHET FASTENER | 4 |





ELECTRONIC SPEED CONTROL

Electric Vehicle

THE USE OF NON UL PARTS WILL VOID ANY UL LISTING.

When ordering parts, please specify the model and serial number of the product.

* Indicates a component that is not available as an individual part.

G** Indicates consult Customer Service Department for additional information.

| ITEM | PART NO. | 1 2 3 4 5 | DESCRIPTION | QTY. |
|------|-----------|-----------|--|------|
| 1 | 73056-G04 | | ELECTRONIC SPEED CONTROL ASSEMBLY (INCLUDES ITEMS 2 - 31)..... | 1 |
| 2 | * | | LOCK WASHER, #10 | 2 |
| 3 | * | | NUT, 10 - 32..... | 2 |
| 4 | | | | |
| 5 | 30353-G1 | | DIODE, 3 AMP..... | 1 |
| 6 | 21764-G1 | | RESISTOR..... | 1 |
| 7 | 73103-G02 | | WIRE HARNESS (CONTROL) | 1 |
| 8 | * | | NUT, 5/16 - 24..... | 2 |
| 9 | | | | |
| 10 | * | | LOCK WASHER, 5/16" | 2 |
| 11 | 25972-G02 | | WIRE (SOL - B+) | 1 |
| 12 | 25978-G10 | | WIRE (SOL - B-) | 1 |
| 13 | 11027-G2 | | LOCK NUT, 1/4 - 20 | 2 |
| 14 | | | | |
| 15 | 27855-G01 | | SOLENOID, 36 VOLT | 1 |
| 16 | 73083-G01 | | HEATSINK | 1 |
| 17 | 25864-G05 | | ELECTRONIC SPEED CONTROLLER | 1 |
| 18 | 73190-G01 | | THERMAL MOUNTING PAD | 1 |
| 19 | 71102-G01 | | BOLT, 1/4 - 20 X 3/4" LG..... | 5 |
| 20 | 73028-G01 | | COVER | 1 |
| 21 | 31539-G1 | | WIRE TIE | 1 |
| 22 | 73053-G01 | | DOUBLE TUBE CLAMP | 1 |
| 23 | | | | |
| 24 | 71102-G03 | | BOLT, 1/4 - 20 X 1 1/4" LG..... | 3 |
| 25 | 73039-G02 | | WIRE HARNESS (POWER) | 1 |
| 26 | | | | |
| 27 | 00270-G5 | | BOLT, 5/16 - 18 X 5/8" LG..... | 3 |
| 28 | | | | |
| 29 | 11027-G1 | | LOCK NUT, 5/16 - 18..... | 3 |
| 30 | | | | |

THE USE OF NON UL PARTS WILL VOID ANY UL LISTING.

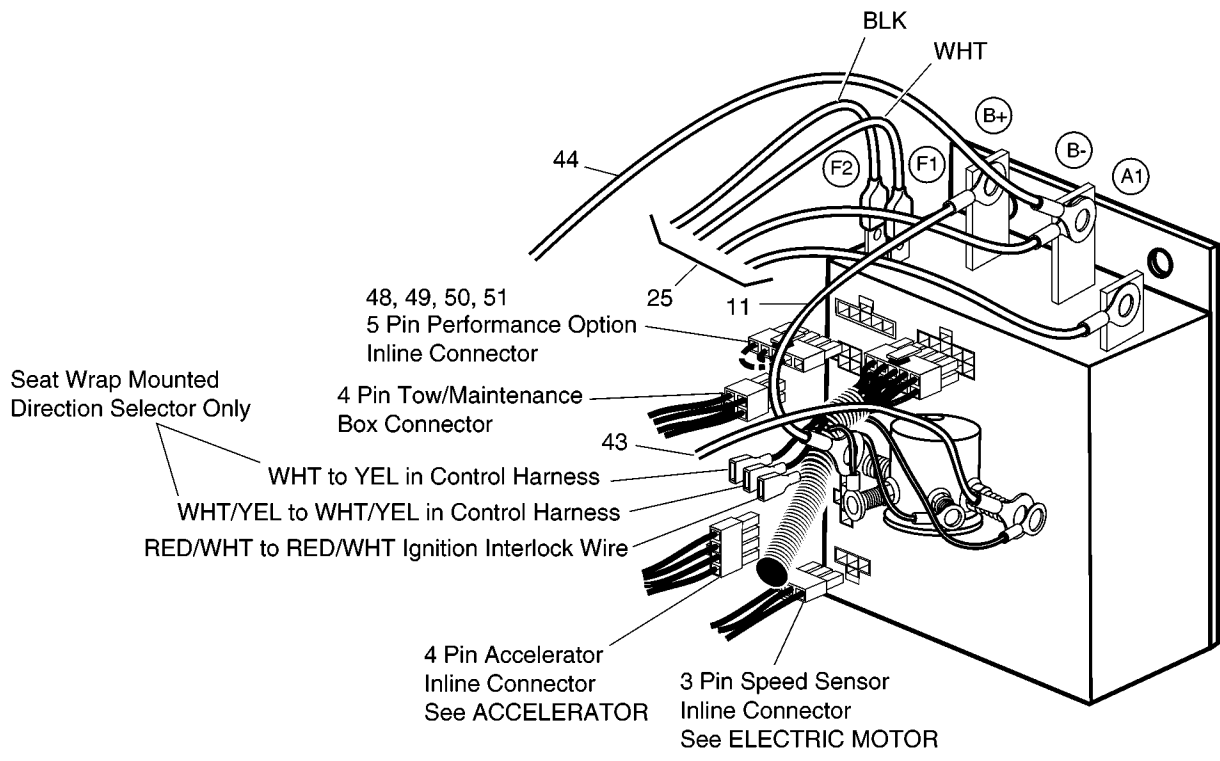
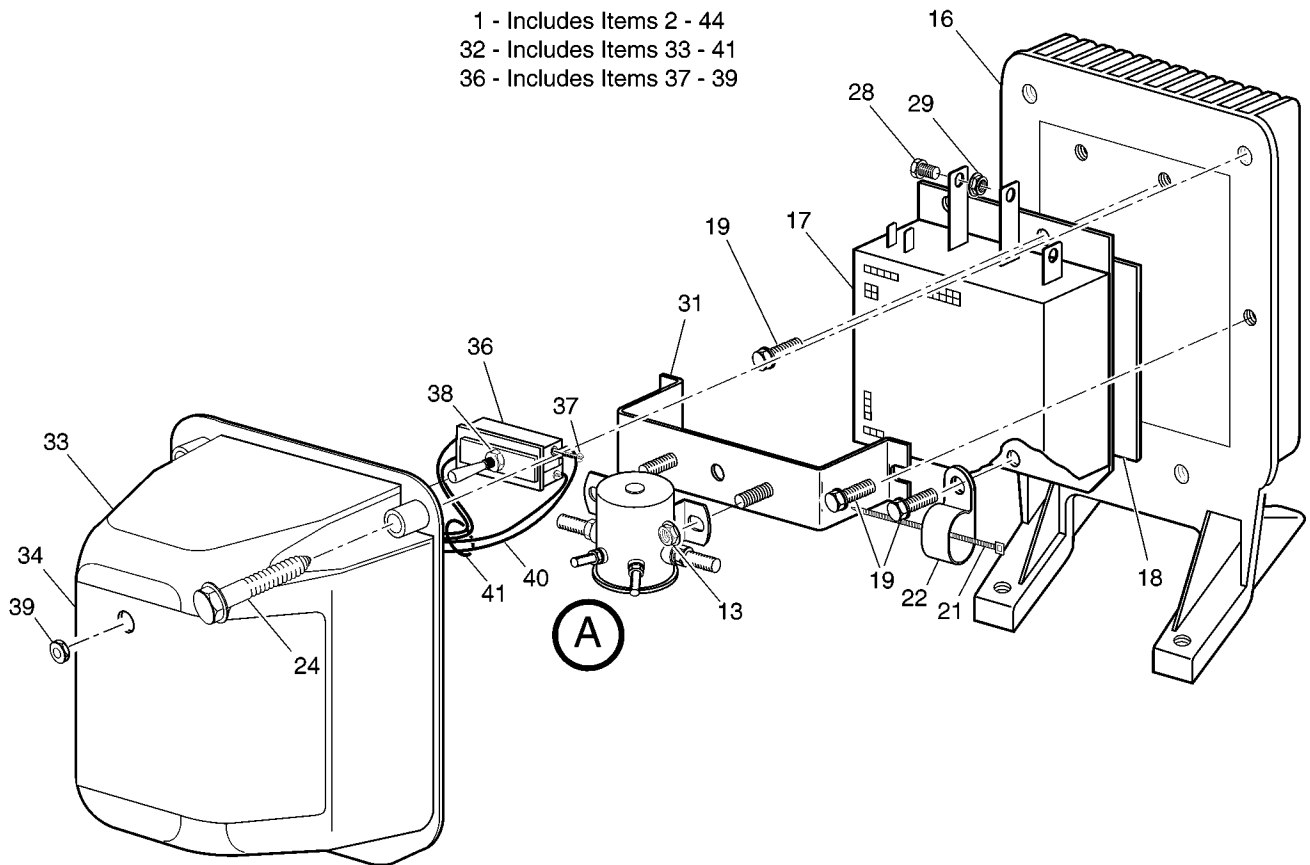
When ordering parts, please specify the model and serial number of the product.

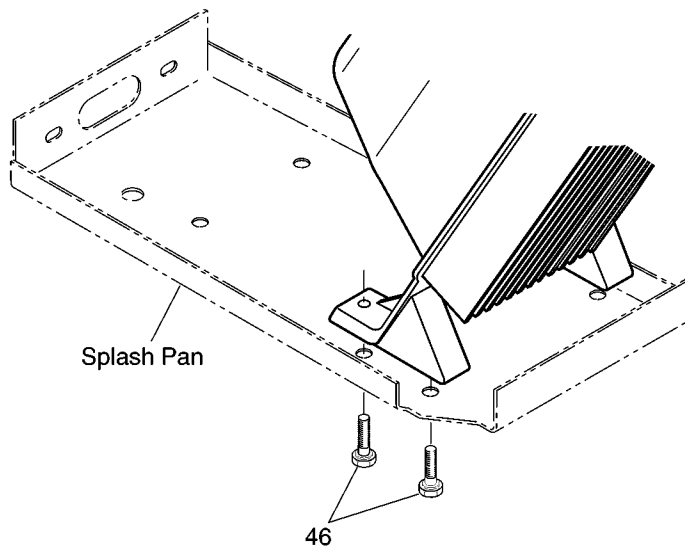
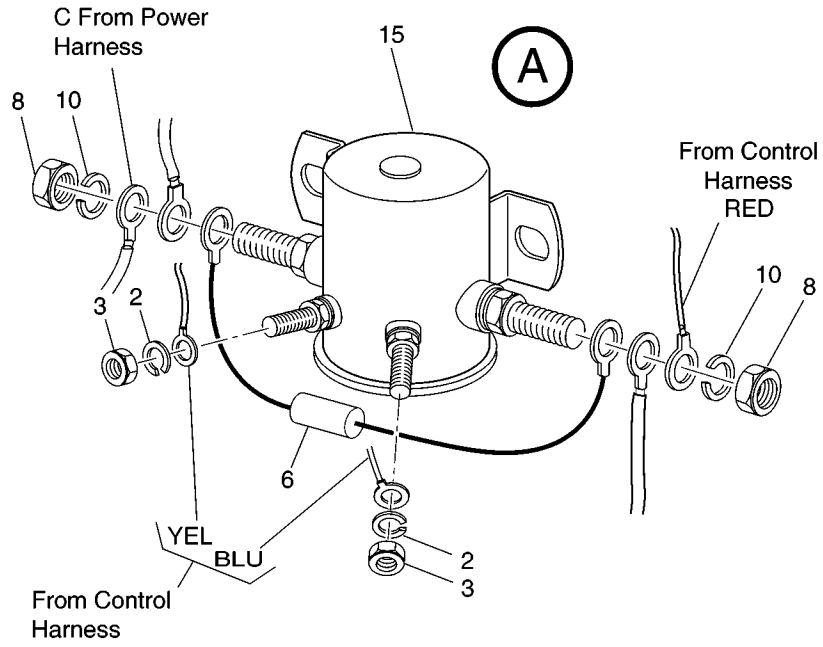
* Indicates a component that is not available as an individual part.

G** Indicates consult Customer Service Department for additional information.

| ITEM | PART NO. | 1 2 3 4 5 | DESCRIPTION | QTY. |
|------|-----------|-----------|-------------------------------|------|
| 31 | 25866-G01 | | SOLENOID BRACKET | 1 |
| 32 | | | | |
| 33 | 71102-G01 | | BOLT, 1/4 - 20 X 3/4" LG..... | 4 |

1 - Includes Items 2 - 44
 32 - Includes Items 33 - 41
 36 - Includes Items 37 - 39





THE USE OF NON UL PARTS WILL VOID ANY UL LISTING.

When ordering parts, please specify the model and serial number of the product.

* Indicates a component that is not available as an individual part.

G** Indicates consult Customer Service Department for additional information.

| ITEM | PART NO. | 1 2 3 4 5 | DESCRIPTION | QTY. |
|------|-----------|-----------|--|------|
| 1 | 73276-G01 | | ELECTRONIC SPEED CONTROL ASSEMBLY (INCLUDES ITEMS 2 - 44)..... | 1 |
| 2 | * | | LOCK WASHER, #10 | 2 |
| 3 | * | | NUT, 10 - 32..... | 2 |
| 4 | | | | |
| 5 | | | | |
| 6 | 21764-G1 | | RESISTOR..... | 1 |
| 7 | | | | |
| 8 | * | | NUT, 5/16 - 24..... | 2 |
| 9 | | | | |
| 10 | * | | LOCK WASHER, 5/16" | 2 |
| 11 | 25972-G56 | | 6 GA WIRE (BLACK 6", C - B+)..... | 1 |
| 12 | | | | |
| 13 | 11027-G2 | | LOCK NUT, 1/4 - 20 | 2 |
| 14 | | | | |
| 15 | 27855-G01 | | SOLENOID | 1 |
| 16 | 73083-G01 | | HEATSINK | 1 |
| 17 | 73326-G02 | | ELECTRONIC SPEED CONTROLLER | 1 |
| 18 | 73190-G01 | | THERMAL MOUNTING PAD | 1 |
| 19 | 71102-G01 | | BOLT, 1/4 - 20 X 3/4" LG..... | 5 |
| 20 | | | | |
| 21 | 31539-G1 | | WIRE TIE | 1 |
| 22 | 73053-G01 | | DOUBLE TUBE CLAMP | 1 |
| 23 | | | | |
| 24 | 71102-G03 | | BOLT, 1/4 - 20 X 1 1/4" LG..... | 4 |
| 25 | 73106-G01 | | WIRE HARNESS (POWER) | 1 |
| 26 | 73271-G01 | | WIRE HARNESS (CONTROL) (DIRECTION SELECTOR ON SEAT) | 1 |
| 27 | 74324-G01 | | WIRE HARNESS (CONTROL) (DIRECTION SELECTOR ON DASH) | 1 |
| 28 | 00270-G5 | | BOLT, 5/16 - 18 X 5/8" LG..... | 3 |
| 29 | 11027-G1 | | LOCK NUT, 5/16 - 18 | 3 |
| 30 | | | | |

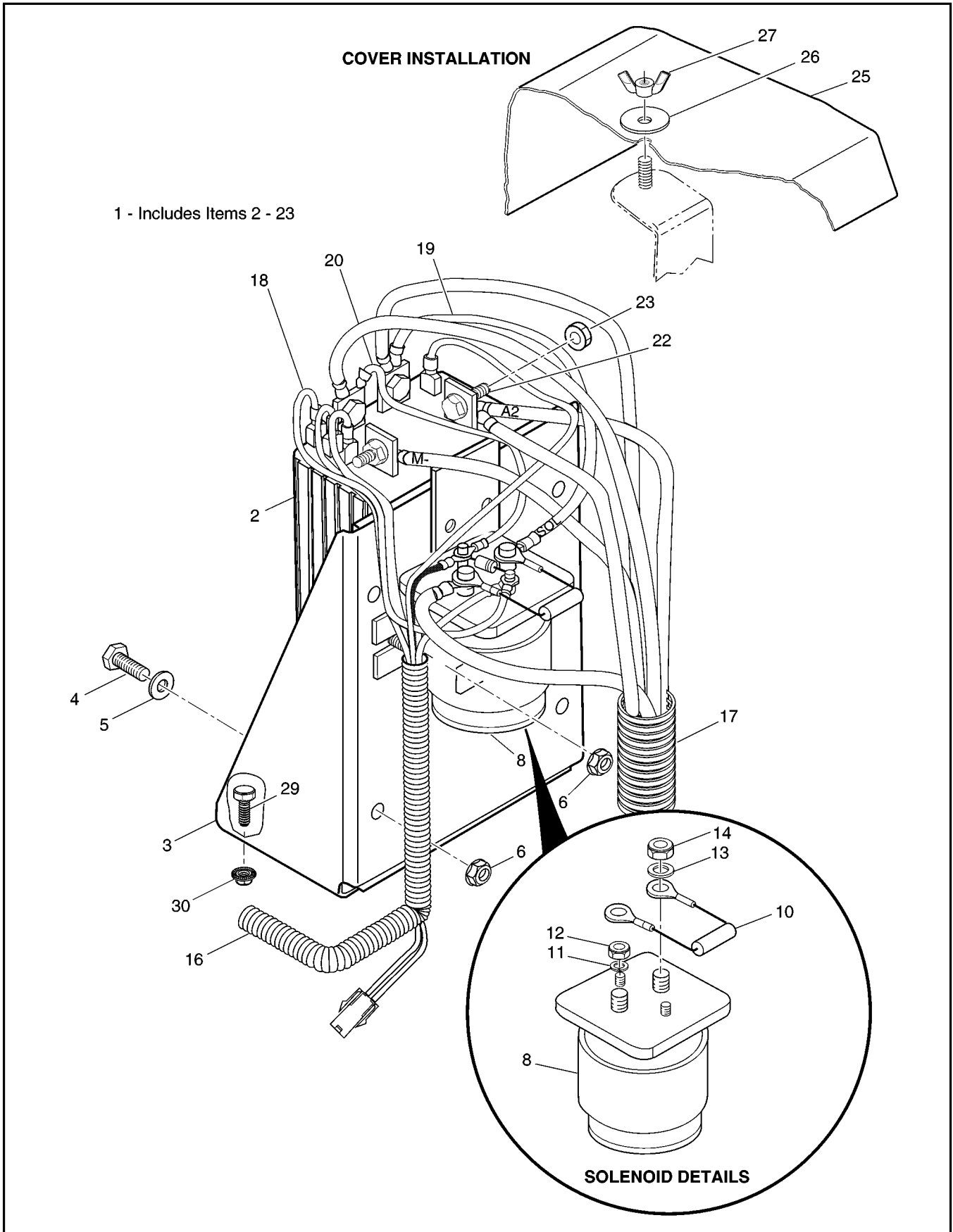
THE USE OF NON UL PARTS WILL VOID ANY UL LISTING.

When ordering parts, please specify the model and serial number of the product.

* Indicates a component that is not available as an individual part.

G** Indicates consult Customer Service Department for additional information.

| ITEM | PART NO. | 1 | 2 | 3 | 4 | 5 | DESCRIPTION | QTY. |
|------|-----------|---|---|---|---|---|---|------|
| 31 | 25866-G01 | | | | | | SOLENOID BRACKET | 1 |
| 32 | 73089-G01 | | | | | | COVER ASSEMBLY (INCLUDES ITEMS 33 - 41) | 1 |
| 33 | 73028-G02 | | | | | | COVER (WITH GASKET) | 1 |
| 34 | 73093-G01 | | | | | | LABEL (TOW SWITCH) | 1 |
| 35 | | | | | | | | |
| 36 | 73125-G01 | | | | | | TOGGLE SWITCH WITH SEAL (INCLUDES ITEMS 37 - 39) | 1 |
| 37 | * | | | | | | SCREW, #5 - 40 | 4 |
| 38 | * | | | | | | NUT, 15/32 - 32..... | 1 |
| 39 | 73139-G01 | | | | | | NUT SEAL | 1 |
| 40 | 73138-G02 | | | | | | WIRE HARNESS (TOW SWITCH)..... | 1 |
| 41 | 17618-G1 | | | | | | WIRE TIE | 1 |
| 42 | | | | | | | | |
| 43 | 25972-G22 | | | | | | 6 GA WIRE (BLACK 27", BL+ TO SOL) | 1 |
| 44 | 25972-G32 | | | | | | 6 GA WIRE (BLACK 36", BL- TO B-)..... | 1 |
| 45 | | | | | | | | |
| 46 | 71102-G01 | | | | | | BOLT, 1/4 - 20 X 3/4" LG..... | 4 |
| 47 | | | | | | | | |
| 48 | 73272-G01 | | | | | | PERSFORMANCE OPTION (FREEDOM) (NOT AVAILABLE FOR FLEET) | 1 |
| 49 | 73272-G02 | | | | | | PERSFORMANCE OPTION (STEEP HILL) | 1 |
| 50 | 73272-G03 | | | | | | PERSFORMANCE OPTION (MILD HILL)..... | 1 |
| 51 | 73272-G04 | | | | | | PERSFORMANCE OPTION (ALL TERRAIN)..... | 1 |



THE USE OF NON UL PARTS WILL VOID ANY UL LISTING.

When ordering parts, please specify the model and serial number of the product.

* Indicates a component that is not available as an individual part.

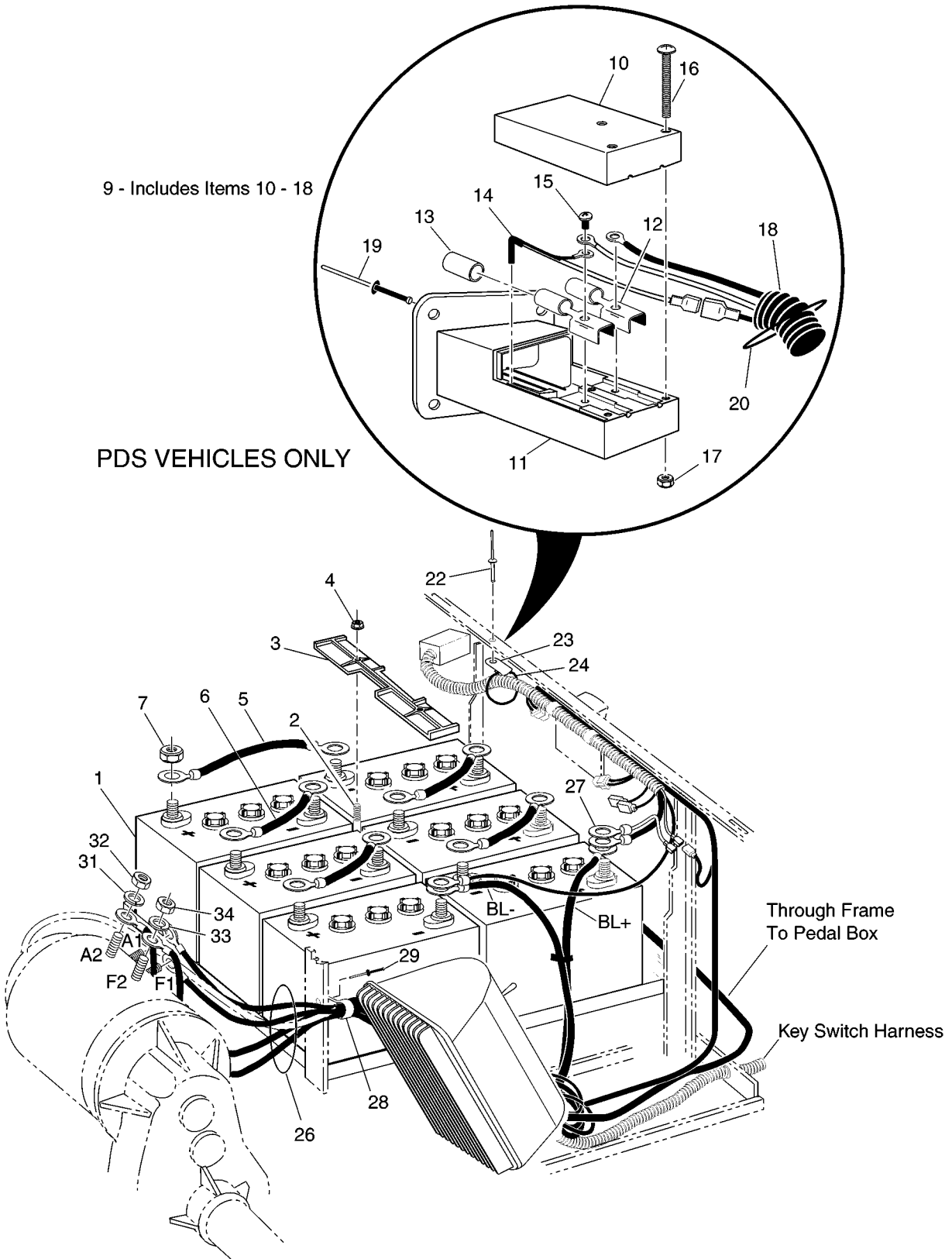
G** Indicates consult Customer Service Department for additional information.

| ITEM | PART NO. | 1 2 3 4 5 | DESCRIPTION | QTY. |
|------|-----------|-----------|---|------|
| 1 | 73055-G02 | | ELECTRONIC SPEED CONTROL ASSEMBLY (INCLUDES ITEMS 2 - 23) ... | 1 |
| 2 | 73060-G01 | | ELECTRONIC SPEED CONTROLLER..... | 1 |
| 3 | 74014-G01 | | CONTROLLER MOUNT | 1 |
| 4 | 00414-G5 | | BOLT, 1/4 - 20 X 5/8" LG | 4 |
| 5 | 00559-G7 | | WASHER, 1/4" | 2 |
| 6 | 11027-G2 | | LOCK NUT, 1/4 - 20..... | 6 |
| 7 | | | | |
| 8 | 28562-G01 | | SOLENOID | 1 |
| 9 | | | | |
| 10 | 21764-G1 | | RESISTOR | 1 |
| 11 | * | | LOCK WASHER, #10 | 2 |
| 12 | * | | NUT, #10 - 32..... | 2 |
| 13 | * | | WASHER, 5/16" | 2 |
| 14 | * | | NUT, 5/16 - 24..... | 2 |
| 15 | | | | |
| 16 | 73095-G02 | | WIRE HARNESS (CONTROL) | 1 |
| 17 | 28325-G01 | | WIRE HARNESS (POWER) | 1 |
| 18 | 25978-G88 | | 18 GA WIRE (RED 9")..... | 1 |
| 19 | 25972-G02 | | 6 GA WIRE (BLK 6 ", SOL - B+)..... | 1 |
| 20 | 25978-G10 | | 18 GA WIRE(BLK 6", SOL - B-)..... | 1 |
| 21 | | | | |
| 22 | 00438-G6 | | BOLT, 5/16 - 18 X 3/4" LG | 4 |
| 23 | 11027-G1 | | LOCK NUT, 5/16 - 18..... | 4 |
| 24 | | | | |
| 25 | 23723-G2 | | COVER | 1 |
| 26 | 16469-G1 | | WASHER, 1/4" | 1 |
| 27 | 14419-G1 | | WING NUT, 1/4 - 20 | 1 |
| 28 | | | | |
| 29 | 00414-G5 | | BOLT, 1/4 - 20 X 5/8" LG..... | 4 |
| 30 | 11027-G2 | | NUT, 1/4 - 20 | 4 |



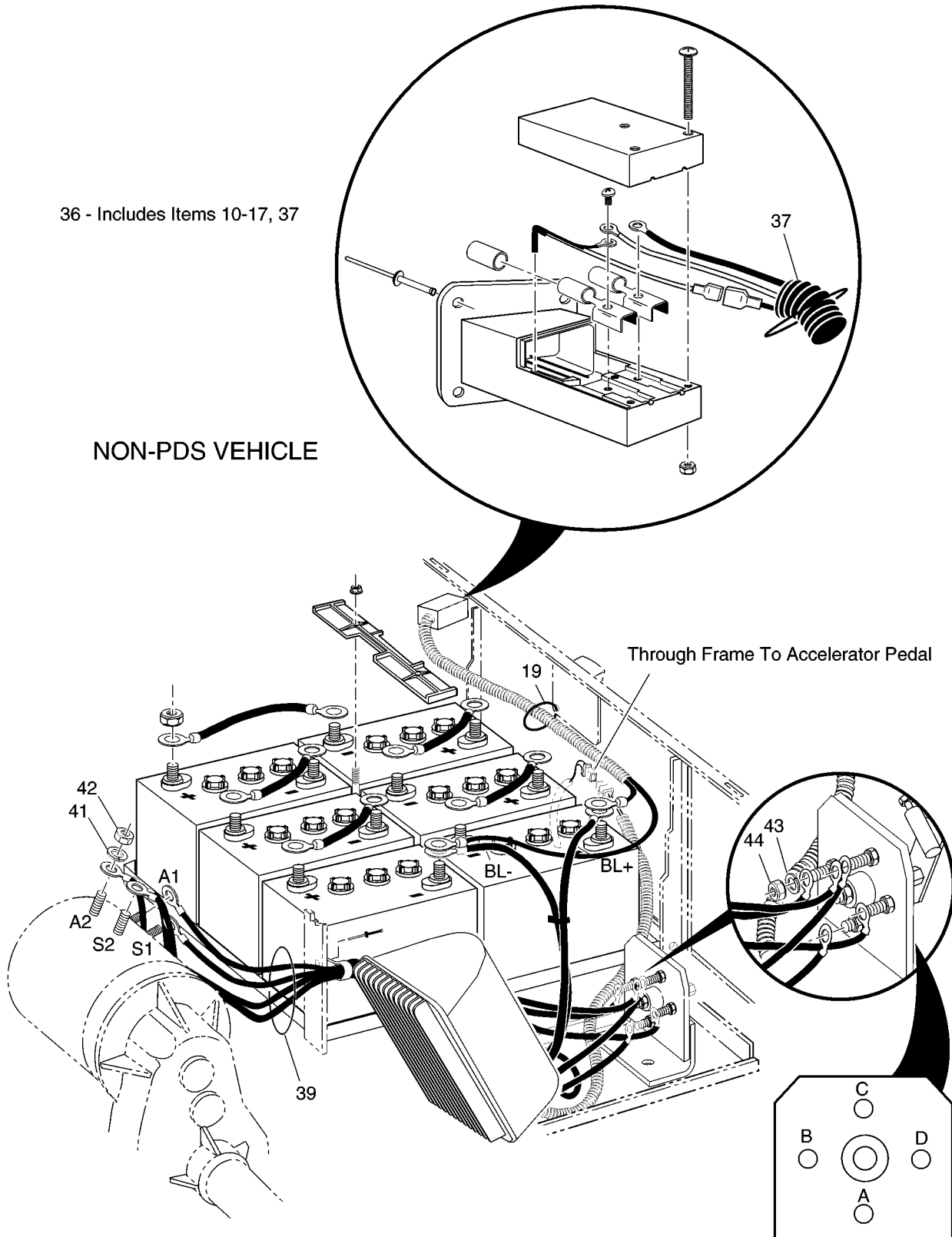
9 - Includes Items 10 - 18

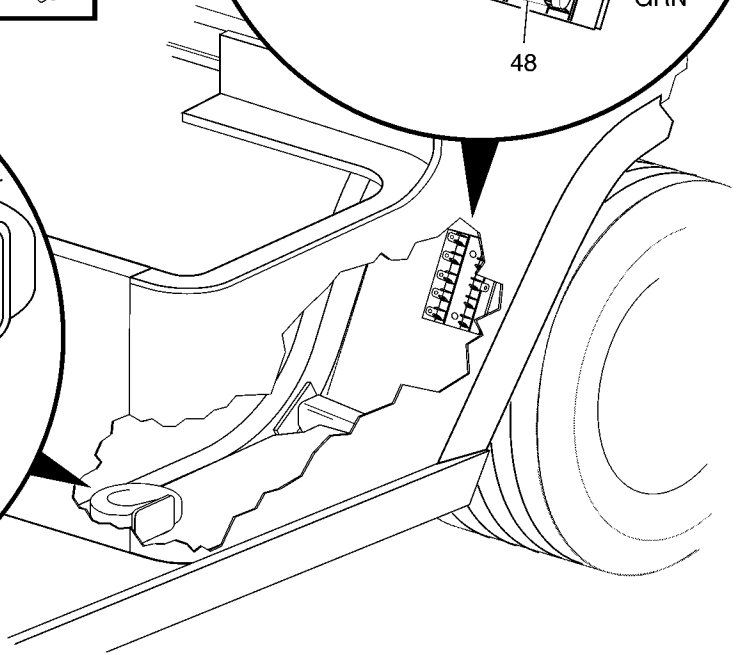
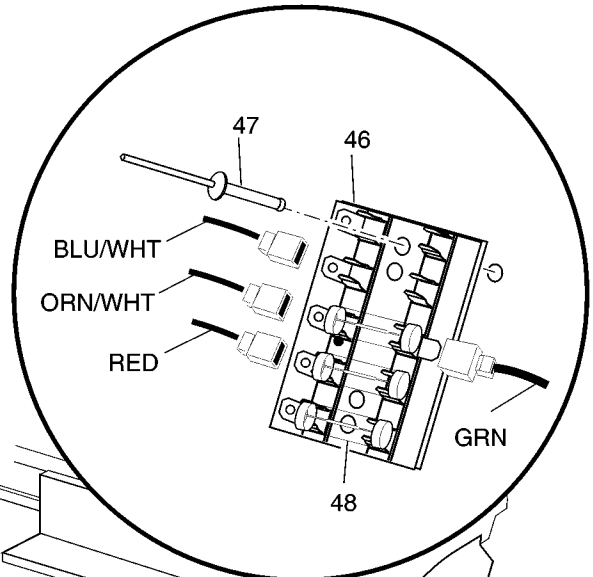
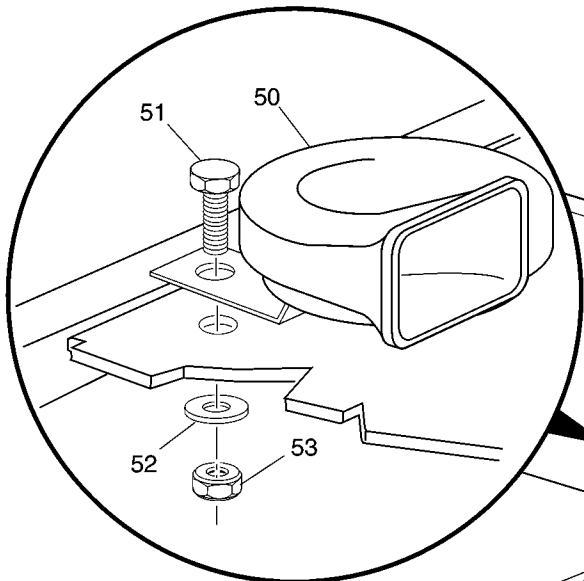
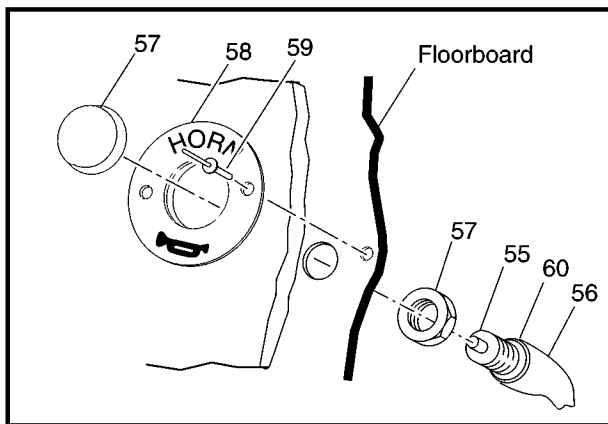
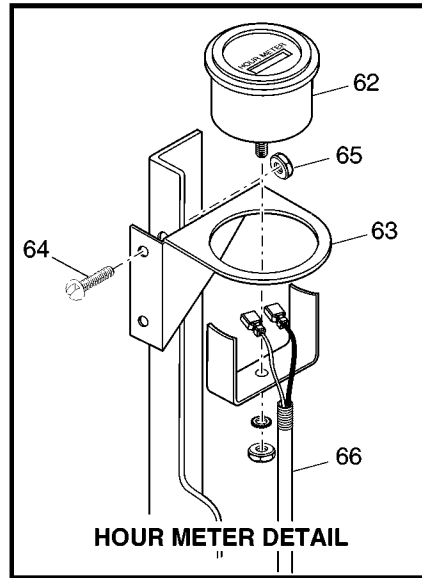
PDS VEHICLES ONLY

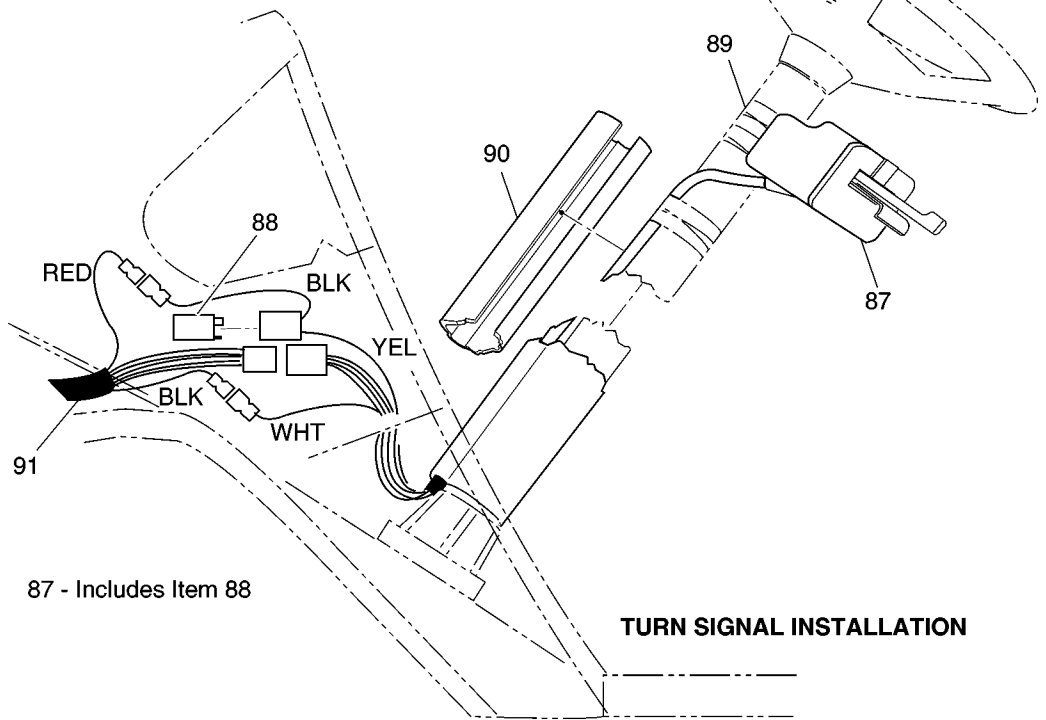
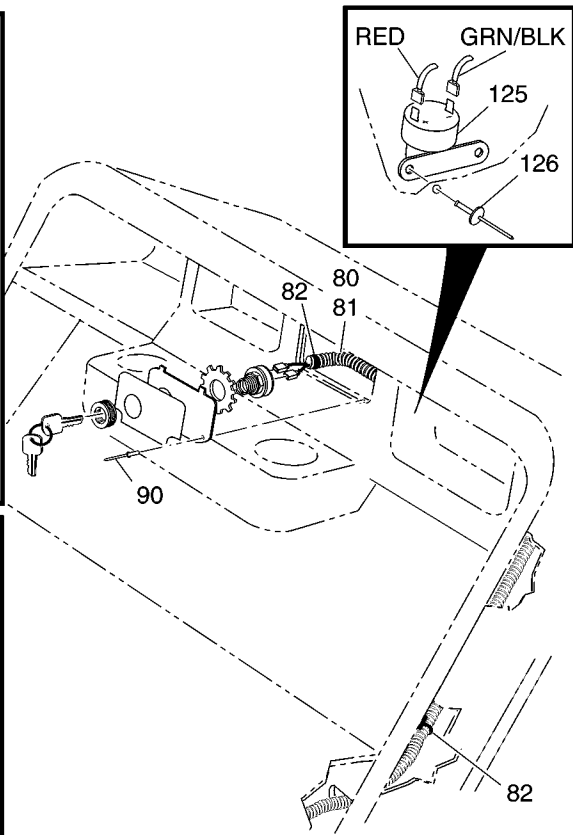
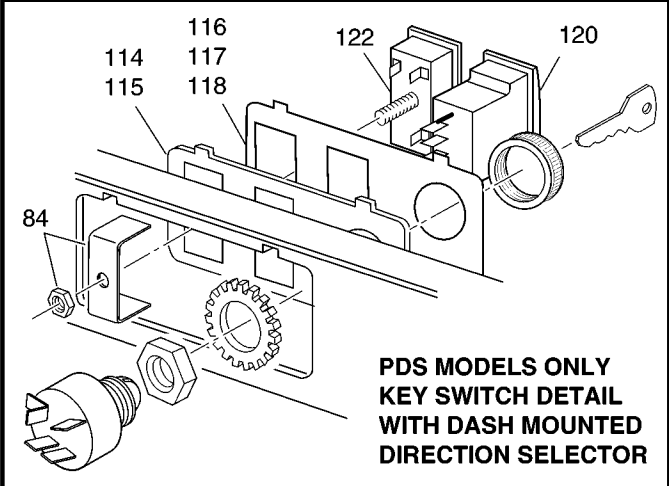
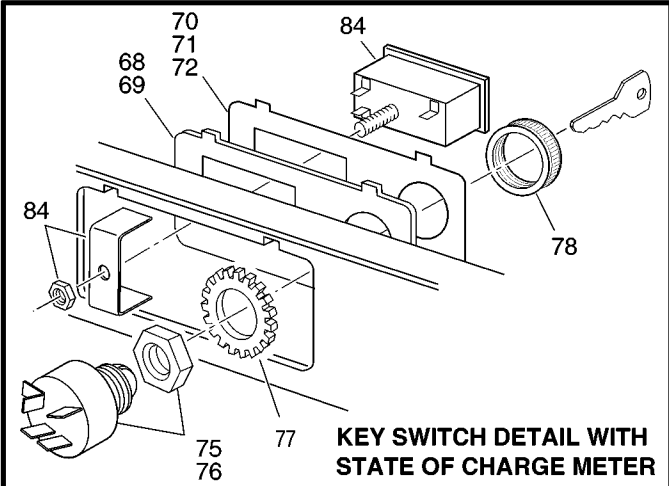


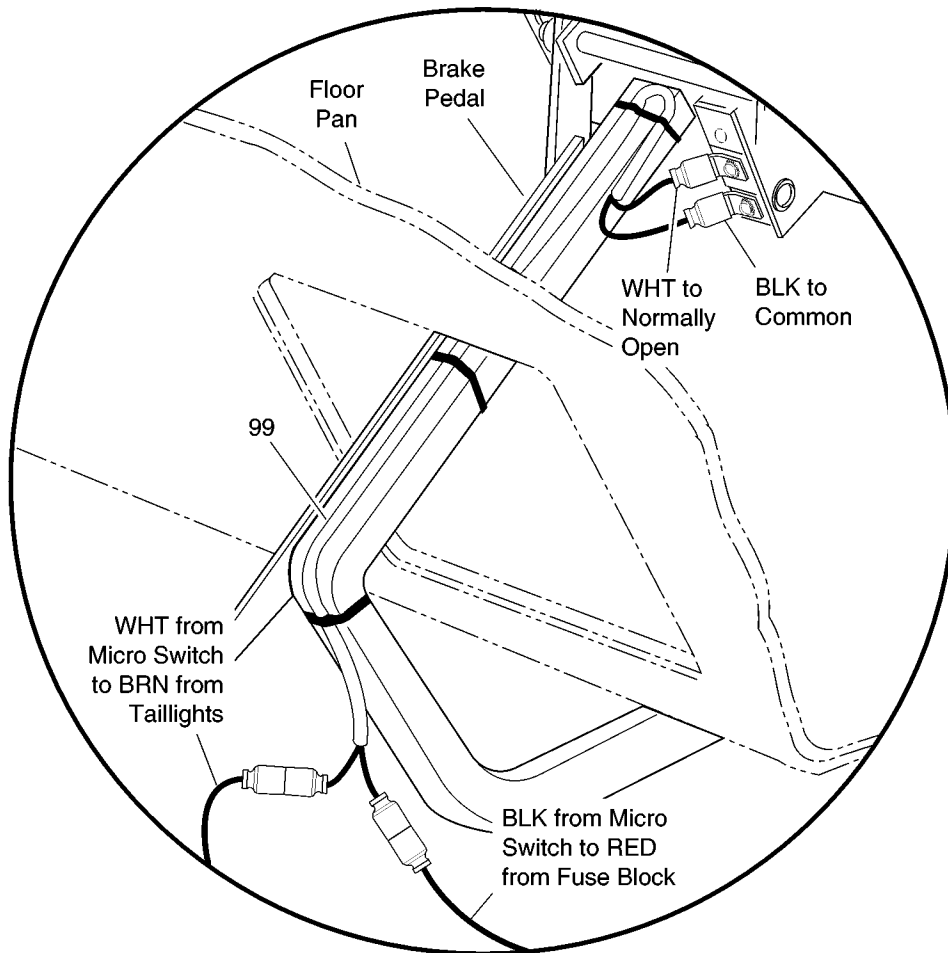
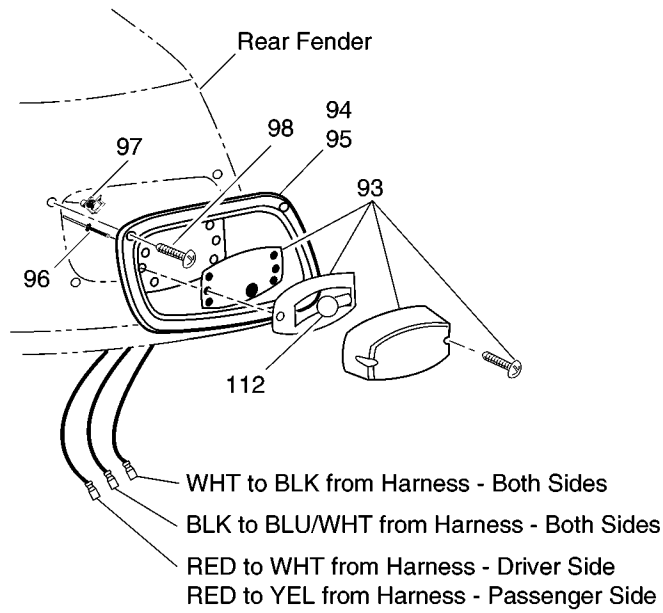
36 - Includes Items 10-17, 37

NON-PDS VEHICLE

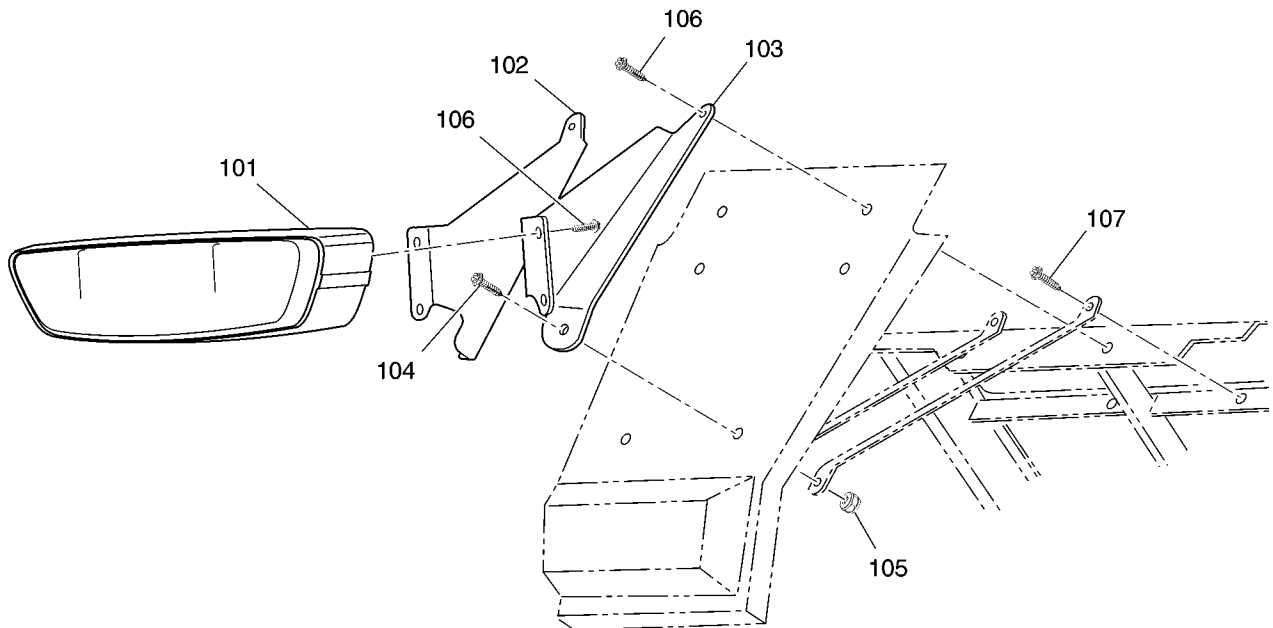
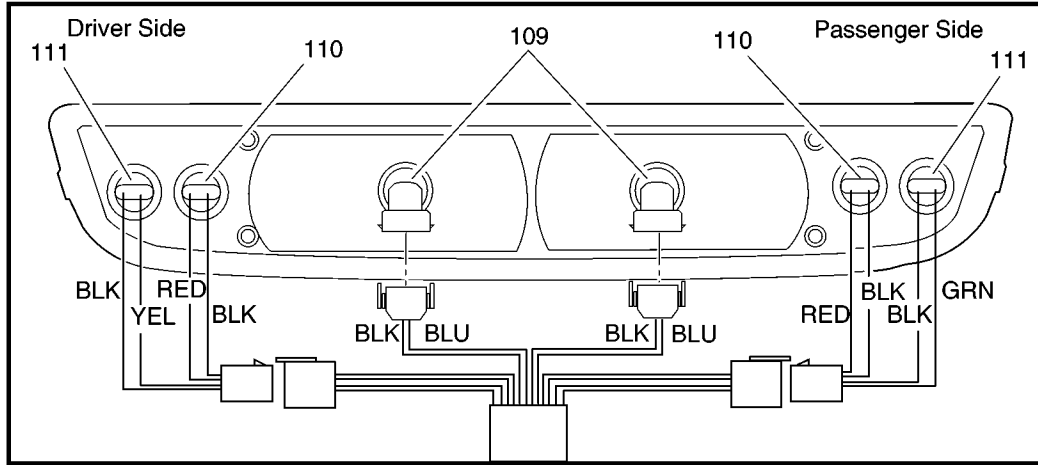


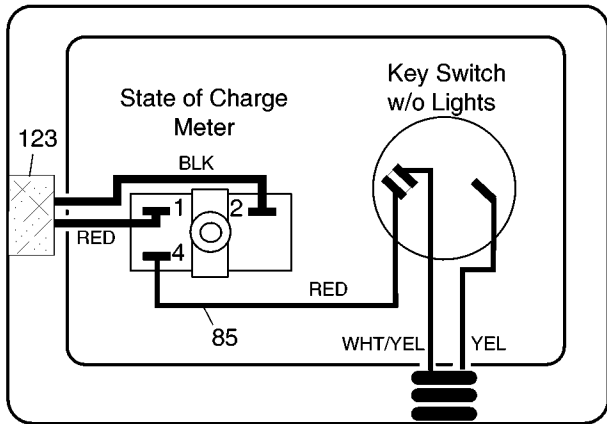




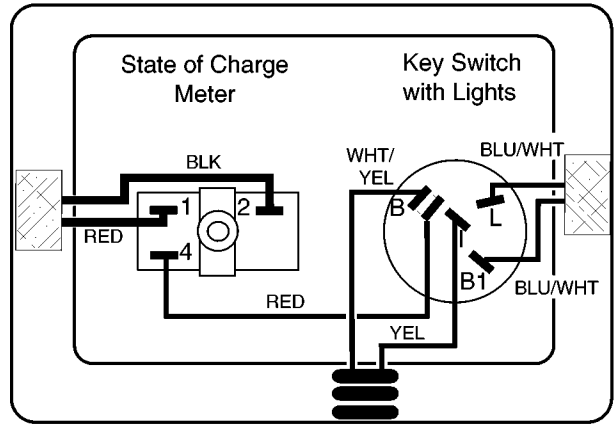


BRAKE LIGHTS MICRO SWITCH CONNECTIONS

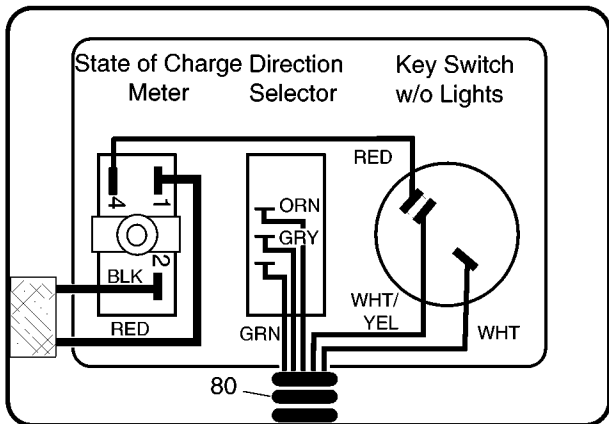




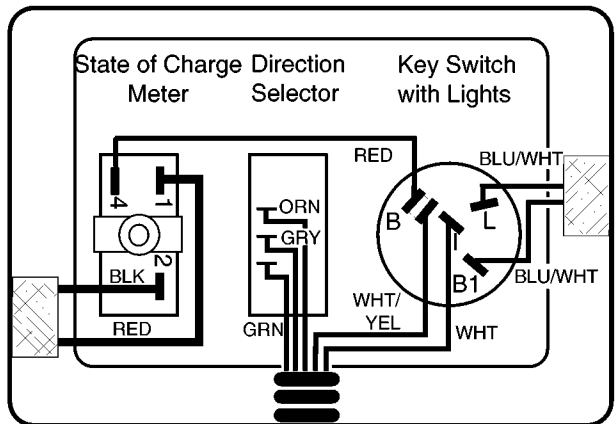
PDS MODEL ONLY



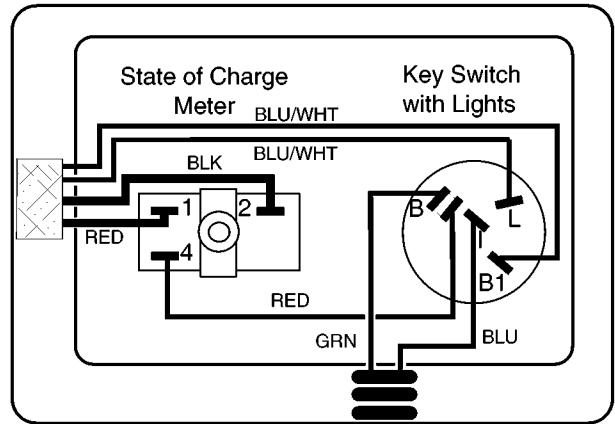
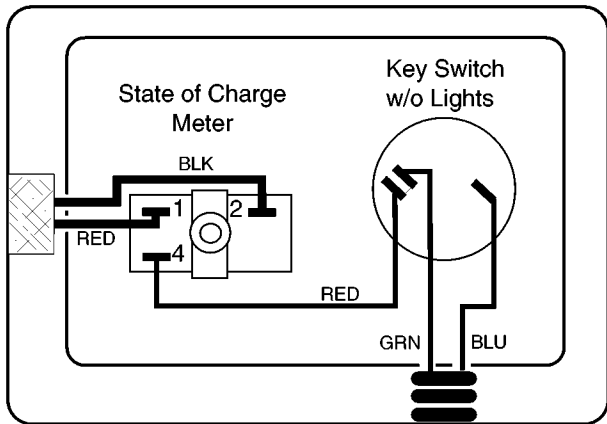
PDS MODEL ONLY



PDS MODEL ONLY



PDS MODEL ONLY



THE USE OF NON UL PARTS WILL VOID ANY UL LISTING.

When ordering parts, please specify the model and serial number of the product.

* Indicates a component that is not available as an individual part.

G** Indicates consult Customer Service Department for additional information.

| ITEM | PART NO. | 1 2 3 4 5 | DESCRIPTION | QTY. |
|------|-----------|-----------|---|------|
| 1 | 76045-G0* | | BATTERY (6 VOLT) | 6 |
| 2 | 70121-G01 | | HOLD DOWN BOLT | 2 |
| 3 | 70045-G01 | | BATTERY RETAINER | 1 |
| 4 | 11027-G1 | | LOCK NUT, 5/16 - 18 | 2 |
| 5 | 25972-G32 | | 6 GA WIRE (BATTERY INTERCONNECT, BLACK, 10 1/2")..... | 1 |
| 6 | 25972-G40 | | 6 GA WIRE (BATTERY INTERCONNECT, 6")..... | 4 |
| 7 | 00702-G2 | | NUT, 5/16 - 18 | 12 |
| 8 | | | | |
| 9 | 73149-G01 | | CHARGER RECEPTACLE ASSEMBLY (PDS MODELS ONLY) (INCLUDES ITEMS 10 - 18) | 1 |
| 10 | * | | RECEPTACLE COVER | 1 |
| 11 | * | | RECEPTACLE BOTTOM..... | 1 |
| 12 | 73051-G05 | | FEMALE RADSOK..... | 2 |
| 13 | 73051-G06 | | INSULATOR SLEEVE | 1 |
| 14 | 73051-G18 | | REED SWITCH | 1 |
| 15 | 73051-G08 | | SCREW, #10 - 32 X 1/2" LG..... | 2 |
| 16 | 73051-G09 | | SCREW, #6 - 32 X 1 3/4" LG (STAINLESS STEEL) | 3 |
| 17 | 73051-G10 | | LOCK NUT, #6 - 32..... | 3 |
| 18 | * | | WIRE HARNESS (CHARGER) | 1 |
| 19 | 71055-G01 | | RIVET, 3/16" X 3/8" LG | 4 |
| 20 | 17618-G1 | | WIRE TIE | 3 |
| 21 | | | | |
| 22 | 10570-G10 | | RIVET, 5/32 X 9/16" LG STAINLESS STEEL..... | 2 |
| 23 | 73193-G01 | | CLAMP, DOUBLE TUBE | 2 |
| 24 | 17618-G1 | | WIRE TIE | 10 |
| 25 | | | | |
| 26 | XXXXX-XXX | | POWER HARNESS (SEE ELECTRONIC SPEED CONTROL - PDS) | 1 |
| 27 | 25974-G25 | | 10 GA WIRE (WHITE 11")..... | 1 |
| 28 | 27327-G01 | | TWISTED CLAMP | 1 |
| 29 | 10570-G11 | | RIVET, 3/16" X 3/4" LG | 1 |

THE USE OF NON UL PARTS WILL VOID ANY UL LISTING.

When ordering parts, please specify the model and serial number of the product.

* Indicates a component that is not available as an individual part.

G** Indicates consult Customer Service Department for additional information.

| ITEM | PART NO. | 1 2 3 4 5 | DESCRIPTION | QTY. |
|------|-----------|-----------|---|------|
| 30 | | | | |
| 31 | 00993-G01 | | LOCK WASHER, 5/16" (SILICON BRONZE)..... | 2 |
| 32 | 28418-G01 | | NUT, 5/16 - 18 (BRASS)..... | 2 |
| 33 | 00993-G02 | | LOCK WASHER, 1/4" (SILICON BRONZE)..... | 2 |
| 34 | 28418-G02 | | NUT, 1/4 - 20 (BRASS)..... | 2 |
| 35 | | | | |
| 36 | 73063-G01 | | CHARGER RECEPTACLE ASSEMBLY (NON-PDS MODELS ONLY) (INCLUDES ITEMS 10 - 17, 37) | 1 |
| 37 | * | | WIRE HARNESS (CHARGER) | 1 |
| 38 | | | | |
| 39 | XXXXX-XXX | | POWER HARNESS (SEE ELECTRONIC SPEED CONTROL)..... | 1 |
| 40 | | | | |
| 41 | 00993-G01 | | LOCK WASHER, 5/16" (SILICON BRONZE)..... | 4 |
| 42 | 28418-G01 | | NUT, 5/16 - 18 (BRASS)..... | 4 |
| 43 | 00565-G8 | | LOCK WASHER, 5/16"..... | 4 |
| 44 | 00532-G3 | | NUT, 5/16 - 18..... | 4 |
| 45 | | | | |
| 46 | 22674-G1 | | FUSE BLOCK | 1 |
| 47 | 71010-G01 | | RIVET, 5/32" X 3/8" LG | 2 |
| 48 | 18392-G1 | | 15 AMP FUSE..... | 3 |
| 49 | | | | |
| 50 | 32860-G1 | | HORN (WITH MOUNTING HARDWARE)..... | 1 |
| 51 | 00414-G5 | | BOLT, 1/4 - 20 X 5/8" LG..... | 1 |
| 52 | 00559-G7 | | WASHER, 1/4" | 1 |
| 53 | 00891-G2 | | LOCK NUT, 1/4 - 20 | 1 |
| 54 | | | | |
| 55 | 17318-G1 | | HORN SWITCH..... | 1 |
| 56 | 27068-G01 | | HORN SWITCH BOOT | 1 |
| 57 | 17318-G2 | | HORN SWITCH CAP AND NUT | 1 |
| 58 | 19233-G1 | | HORN SWITCH PLATE | 1 |

THE USE OF NON UL PARTS WILL VOID ANY UL LISTING.

When ordering parts, please specify the model and serial number of the product.

* Indicates a component that is not available as an individual part.

G** Indicates consult Customer Service Department for additional information.

| ITEM | PART NO. | 1 2 3 4 5 | DESCRIPTION | QTY. |
|------|-----------|-----------|---|------|
| 59 | 71055-G01 | | RIVET, 3/16" X 3/8" LG | 2 |
| 60 | 17618-G1 | | WIRE TIE | 2 |
| 61 | | | | |
| 62 | 21573-G1 | | HOUR METER | 1 |
| 63 | 74019-G01 | | HOUR METER BRACKET | 1 |
| 64 | 00150-G4 | | SCREW, #10 - 24 X 1/2" LG | 2 |
| 65 | 11098-G7 | | LOCK NUT, #10 - 24 | 2 |
| 66 | 75117-G02 | | WIRE HARNESS (HOUR METER) | 1 |
| 67 | | | | |
| 68 | 73030-G01 | | PLATE (IGNITION SWITCH ONLY) | 1 |
| 69 | 73030-G02 | | PLATE (IGNITION SWITCH, STATE OF CHARGE METER)..... | 1 |
| 70 | 71145-G01 | | DECAL (IGNITION SWITCH ONLY) | 1 |
| 71 | 71123-G01 | | DECAL (IGNITION SWITCH W/O LIGHTS, STATE OF CHARGE METER) | 1 |
| 72 | 71129-G01 | | DECAL (IGNITION SWITCH W/ LIGHTS, STATE OF CHARGE METER) | 1 |
| 73 | 33623-G02 | | RIVET, 3/16" X 3/8" LG | 2 |
| 74 | | | | |
| 75 | XXXXX-XX | | IGNITION SWITCH (WITHOUT LIGHTS) (INCLUDES ITEMS 77 - 78) | 1 |
| 76 | 33639-G0* | | IGNITION SWITCH (WITH LIGHTS) (INCLUDES ITEMS 77 - 78)..... | 1 |
| 77 | 00568-G6 | | LOCK WASHER, 3/4" | 1 |
| 78 | 17137-G1 | | FACE NUT, 3/4 - 20..... | 1 |
| 79 | | | | |
| 80 | 74324-G01 | | HARNESS (CONTROL) (PDS MODEL ONLY)..... | 1 |
| 81 | 73041-G01 | | HARNESS (KEY SWITCH) (FLEET)..... | 1 |
| 82 | 17618-G1 | | WIRE TIE | 1 |
| 83 | | | | |
| 84 | 33636-G01 | | STATE OF CHARGE METER | 1 |
| 85 | 25978-G74 | | 18 GA WIRE (RED 6") | 1 |
| 86 | | | | |
| 87 | 17867-G1 | | TURN SIGNAL (WITH MOUNTING HARDWARE) | 1 |
| 88 | 21640-G1 | | TURN SIGNAL FLASHER..... | 1 |

THE USE OF NON UL PARTS WILL VOID ANY UL LISTING.

When ordering parts, please specify the model and serial number of the product.

* Indicates a component that is not available as an individual part.

G** Indicates consult Customer Service Department for additional information.

| ITEM | PART NO. | 1 | 2 | 3 | 4 | 5 | DESCRIPTION | QTY. |
|------|-----------|---|---|---|---|---|---|------|
| 89 | * | | | | | | VINYL TAPE..... | AR |
| 90 | 20965-G3 | | | | | | STEERING COLUMN COVER (VEHICLES WITH TURN SIGNALS)..... | 1 |
| 91 | 73043-G01 | | | | | | WIRE HARNESS (ACCESSORY)..... | 1 |
| 92 | | | | | | | | |
| 93 | 22260-G2 | | | | | | TAILLIGHT ASSEMBLY (COMPLETE) | 1 |
| 94 | 74371-G01 | | | | | | BEZEL (DRIVER SIDE)..... | 1 |
| 95 | 74371-G02 | | | | | | BEZEL (PASSENGER SIDE) | 1 |
| 96 | 14601-G11 | | | | | | RIVET, 3/16" X 9/16" LG | 2 |
| 97 | 71364-G02 | | | | | | 'J' CLIP | 8 |
| 98 | 71425-G01 | | | | | | COUNTERSUNK SCREW, #8 - 18 X 3/4" LG..... | 8 |
| 99 | 24605-G1 | | | | | | WIRE HARNESS (BRAKE LIGHT) | 1 |
| 100 | | | | | | | | |
| 101 | 74001-G01 | | | | | | LIGHT BAR | 1 |
| 102 | 74236-G01 | | | | | | LIGHT BAR BRACKET (PASSENGER SIDE) | 1 |
| 103 | 74236-G02 | | | | | | LIGHT BAR BRACKET (DRIVER SIDE) | 1 |
| 104 | 00414-G6 | | | | | | BOLT, 1/4 - 20 X 3/4" LG..... | 2 |
| 105 | 11027-G2 | | | | | | LOCK NUT, 1/4 - 20 | 2 |
| 106 | 00114-G6 | | | | | | SCREW, 1/4 - 14 X 3/4" LG | 4 |
| 107 | 01038-G01 | | | | | | SCREW, 1/4 - 14 X 1/2" LG | 2 |
| 108 | | | | | | | | |
| 109 | 74004-G01 | | | | | | HEADLIGHT BULB | AR |
| 110 | 74005-G01 | | | | | | MARKER LIGHT BULB..... | AR |
| 111 | 74006-G01 | | | | | | TURN SIGNAL BULB..... | AR |
| 112 | 21759-G1 | | | | | | TAILLIGHT BULB..... | AR |
| 113 | | | | | | | | |
| 114 | 73030-G05 | | | | | | PLATE (IGNITION SWITCH, DIRECTION SELECTOR) | 1 |
| 115 | 73030-G06 | | | | | | PLATE (IGNITION SWITCH, DIRECTION SELECTOR, STATE OF CHARGE METER) | 1 |
| 116 | 74316-G01 | | | | | | DECAL (IGNITION SWITCH WITHOUT LIGHTS, DIRECTION SELECTOR).... | 1 |
| 117 | 74320-G01 | | | | | | DECAL (IGNITION SWITCH WITHOUT LIGHTS, DIRECTION SELECTOR, STATE OF CHARGE METER) | 1 |

THE USE OF NON UL PARTS WILL VOID ANY UL LISTING.

When ordering parts, please specify the model and serial number of the product.

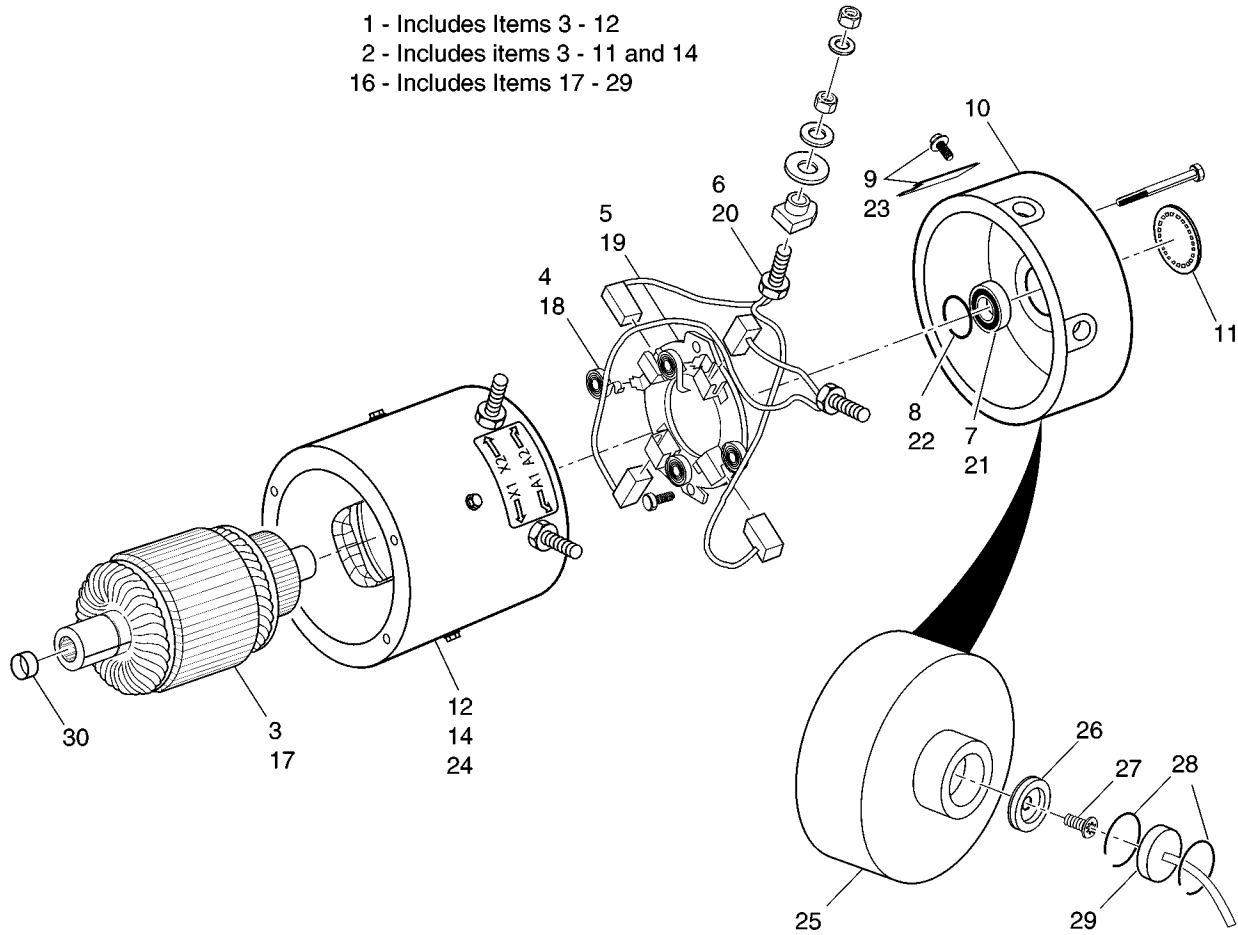
* Indicates a component that is not available as an individual part.

G** Indicates consult Customer Service Department for additional information.

| ITEM | PART NO. | 1 2 3 4 5 | DESCRIPTION | QTY. |
|------|-----------|-----------|--|------|
| 118 | 74322-G01 | | DECAL (IGNITION SWITCH WITH LIGHTS, DIRECTION SELECTOR, STATE OF CHARGE METER) | 1 |
| 119 | | | | |
| 120 | 74323-G01 | | DIRECTION SELECTOR SWITCH (DASH MOUNTED) | 1 |
| 121 | | | | |
| 122 | 33636-G04 | | STATE OF CHARGE METER (VERTICAL) | 1 |
| 123 | 74018-G01 | | HARNESS (STATE OF CHARGE METER) | 1 |
| 124 | | | | |
| 125 | 73290-G02 | | REVERSE BUZZER..... | 1 |
| 126 | 01041-G01 | | RIVET, 5/32" X 3/4" LG | 2 |



- 1 - Includes Items 3 - 12
- 2 - Includes items 3 - 11 and 14
- 16 - Includes Items 17 - 29



PDS Only

THE USE OF NON UL PARTS WILL VOID ANY UL LISTING.

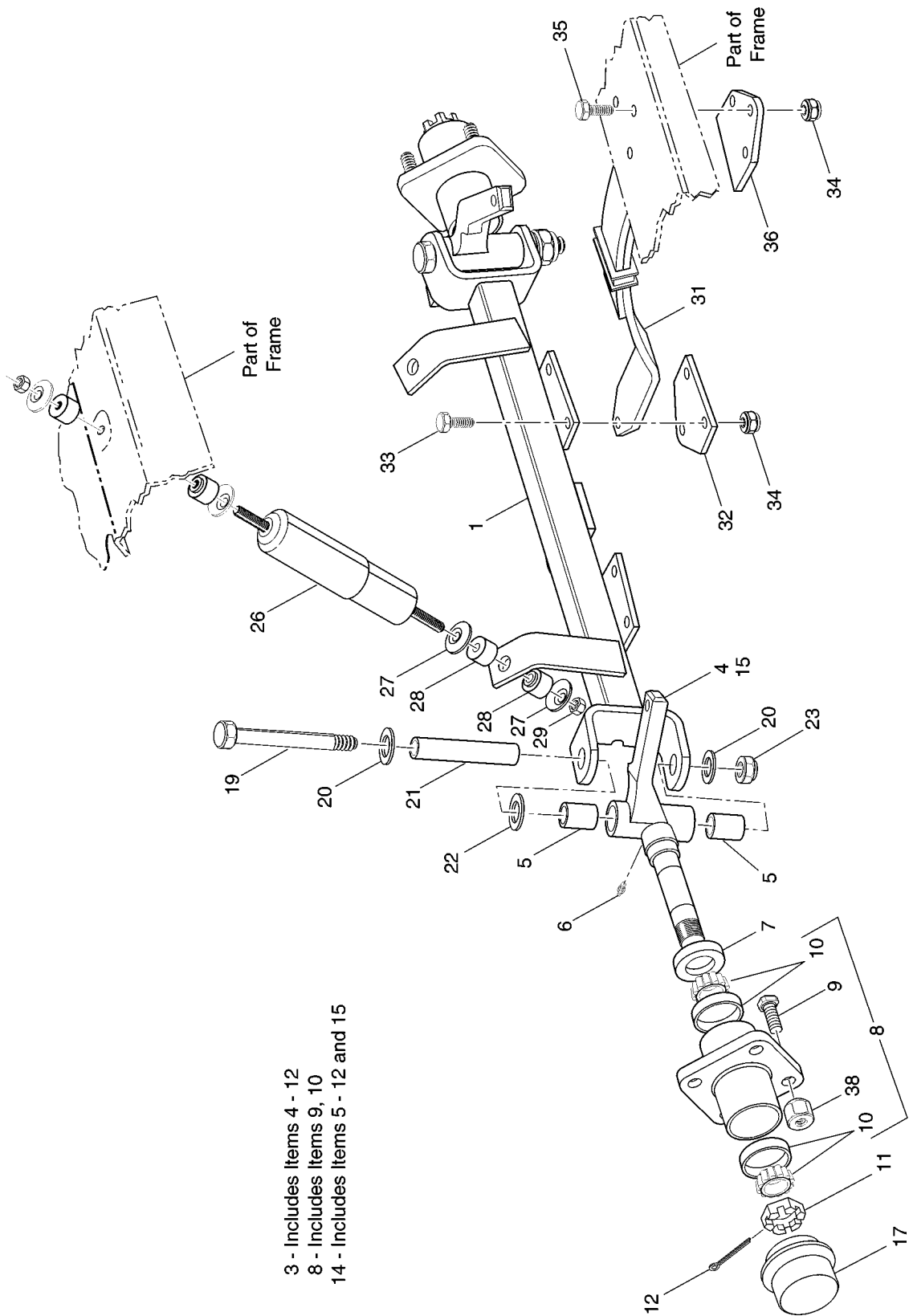
When ordering parts, please specify the model and serial number of the product.

* Indicates a component that is not available as an individual part.

G** Indicates consult Customer Service Department for additional information.

| ITEM | PART NO. | 1 | 2 | 3 | 4 | 5 | DESCRIPTION | QTY. |
|------|-----------|---|---|---|---|---|--|------|
| 1 | 73124-G02 | | | | | | MOTOR (SERIES, FLEET SPEED) (INCLUDES ITEMS 3 - 12) | 1 |
| 2 | 73124-G03 | | | | | | MOTOR (SERIES, HIGH SPEED) (INCLUDES ITEMS 3 - 11, 14)..... | 1 |
| 3 | 73120-G01 | | | | | | ARMATURE | 1 |
| 4 | 73120-G03 | | | | | | BRUSH SPRING | 4 |
| 5 | 73120-G15 | | | | | | BRUSH PLATE AND BOX..... | 1 |
| 6 | 73120-G25 | | | | | | BRUSH REPLACEMENT KIT (INCLUDES HARDWARE) | 1 |
| 7 | 73120-G07 | | | | | | BEARING..... | 1 |
| 8 | 73120-G06 | | | | | | SNAP RING | 1 |
| 9 | 73120-G09 | | | | | | COVER PLATE & SCREW | 1 |
| 10 | 73120-G08 | | | | | | COVER COMMUTATOR END..... | 1 |
| 11 | 73120-G16 | | | | | | CAP | 1 |
| 12 | 73120-G29 | | | | | | FRAME AND FIELD COIL (G02 MOTOR) (INCLUDES HARDWARE) | 1 |
| 13 | | | | | | | | |
| 14 | 73120-G30 | | | | | | FRAME AND FIELD COIL (G03 MOTOR) (INCLUDES HARDWARE) | 1 |
| 15 | | | | | | | | |
| 16 | 73124-G08 | | | | | | MOTOR (SEPARATELY EXCITED) (PDS) (INCLUDES ITEMS 17 - 29)..... | 1 |
| 17 | 73120-G18 | | | | | | ARMATURE | 1 |
| 18 | 73120-G03 | | | | | | BRUSH SPRING | 4 |
| 19 | 73120-G15 | | | | | | BRUSH PLATE AND BOX..... | 1 |
| 20 | 73120-G25 | | | | | | BRUSH REPLACEMENT KIT (INCLUDES HARDWARE) | 1 |
| 21 | 73120-G07 | | | | | | BEARING..... | 1 |
| 22 | 73120-G06 | | | | | | SNAP RING | 1 |
| 23 | 73120-G09 | | | | | | COVER PLATE & SCREW | 1 |
| 24 | 73120-G31 | | | | | | FRAME AND FIELD COIL (INCLUDES HARDWARE)..... | 1 |
| 25 | 73120-G19 | | | | | | COVER COMMUTATOR END..... | 1 |
| 26 | 73328-G01 | | | | | | MAGNET | 1 |
| 27 | 01037-G02 | | | | | | SCREW, #10 - 32 X 1/2" LG..... | 1 |
| 28 | 73277-G01 | | | | | | RETAINING RING | 2 |
| 29 | 73327-G01 | | | | | | SPEED SENSOR | 1 |
| 30 | 24261-G1 | | | | | | BUMPER SPLINE | 1 |

FRONT SUSPENSION (EARLY PRODUCTION) Electric Vehicle



Electric Vehicle FRONT SUSPENSION (EARLY PRODUCTION)

When ordering parts, please specify the model and serial number of the product.
 * Indicates a component that is not available as an individual part.
 G** Indicates consult Customer Service Department for additional information.

| ITEM | PART NO. | 1 2 3 4 5 | DESCRIPTION | QTY. |
|------|-----------|-----------|---|------|
| 1 | 70536-G01 | | FRONT AXLE..... | 1 |
| 2 | | | | |
| 3 | 70220-G01 | | SPINDLE ASSEMBLY (DRIVER SIDE) (INCLUDES ITEMS 4 - 12)..... | 1 |
| 4 | * | | SPINDLE (DRIVER SIDE)..... | 1 |
| 5 | 16623-G1 | | BEARING | 2 |
| 6 | 10389-G3 | | GREASE FITTING, STRAIGHT | 1 |
| 7 | 25146-G1 | | GREASE SEAL | 1 |
| 8 | 19932-G1 | | WHEEL HUB ASSEMBLY (INCLUDES ITEMS 9, 10) | 1 |
| 9 | 19862-G1 | | LUG BOLT, 1/2 - 20 X 1 7/32" LG..... | 4 |
| 10 | 50892-G1 | | BEARING AND RACE ASSEMBLY (COMPLETE) | 2 |
| 11 | 12093-G1 | | SLOTTED NUT, 1 - 14..... | 1 |
| 12 | 00798-G8 | | COTTER PIN, 5/32" X 1 3/4" LG | 1 |
| 13 | | | | |
| 14 | 70221-G01 | | SPINDLE ASSEMBLY (PASSENGER SIDE) (INCLUDES ITEMS 5 - 12, 15) ... | 1 |
| 15 | * | | SPINDLE (PASSENGER SIDE) | 1 |
| 16 | | | | |
| 17 | 12091-G2 | | SPINDLE CAP | 2 |
| 18 | | | | |
| 19 | 01040-G01 | | KING PIN, 1/2 - 13 X 5" LG..... | 2 |
| 20 | 00571-G5 | | WASHER, 1/2" | 4 |
| 21 | 70328-G01 | | KING PIN TUBE..... | 2 |
| 22 | 16982-G1 | | THRUST WASHER, 7/8"..... | 2 |
| 23 | 14390-G6 | | LOCK NUT, 1/2 - 13 | 2 |
| 24 | | | | |
| 25 | | | | |
| 26 | 70324-G01 | | SHOCK ABSORBER | 2 |
| 27 | 10435-G1 | | SHOCK ABSORBER WASHER..... | 8 |
| 28 | 10194-G1 | | RUBBER SHOCK ABSORBER BUSHING | 8 |
| 29 | 00532-G6 | | NUT, 3/8 - 24 | 4 |
| 30 | | | | |



FRONT SUSPENSION (EARLY PRODUCTION) Electric Vehicle

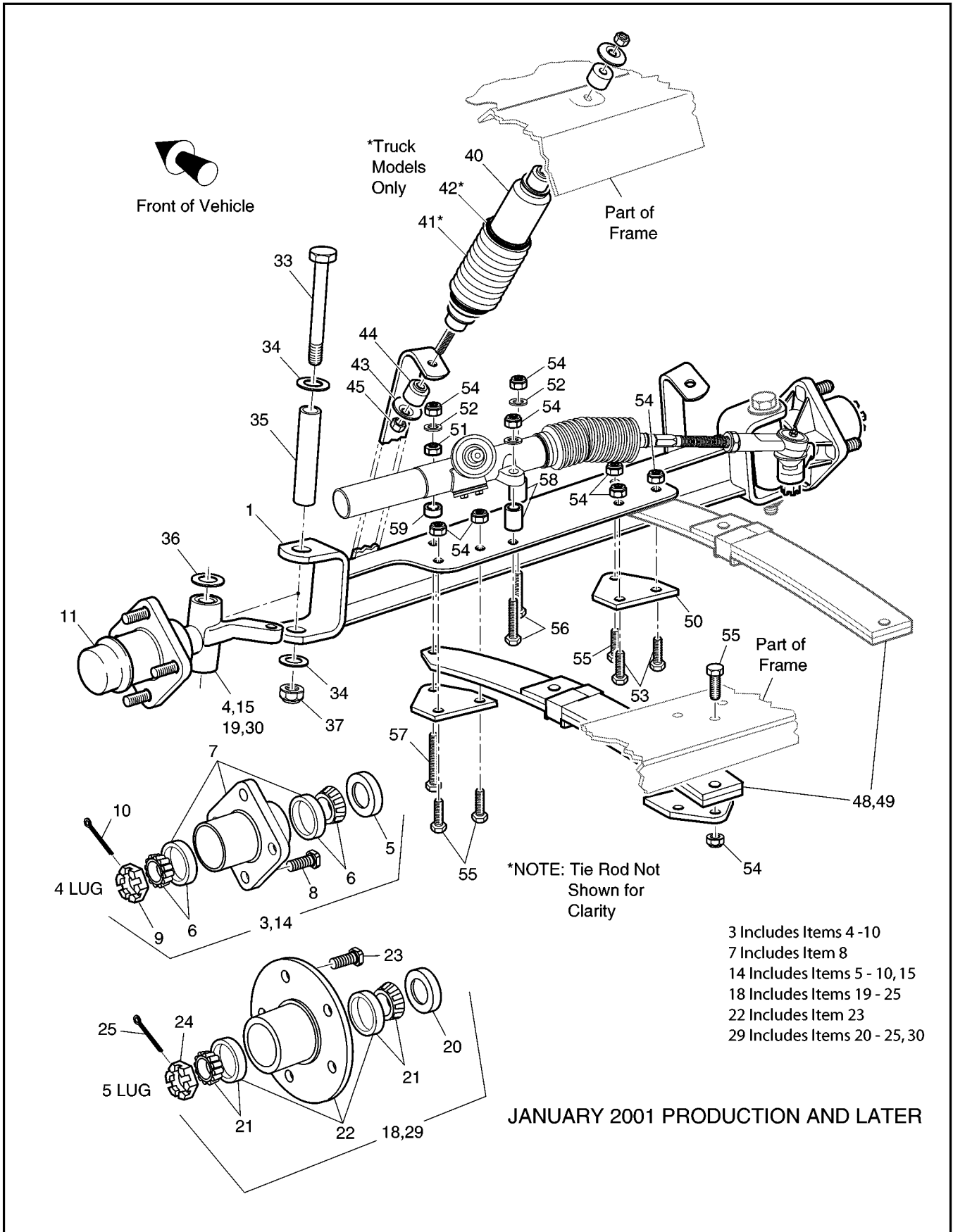
When ordering parts, please specify the model and serial number of the product.
 * Indicates a component that is not available as an individual part.
 G** Indicates consult Customer Service Department for additional information.

| ITEM | PART NO. | 1 | 2 | 3 | 4 | 5 | DESCRIPTION | QTY. |
|------|-----------|---|---|---|---|---|----------------------------------|------|
| 31 | 70049-G01 | | | | | | LEAF SPRING | 2 |
| 32 | 70540-G02 | | | | | | SPRING PLATE | 2 |
| 33 | 00463-G4 | | | | | | BOLT, 7/16 - 14 X 1 1/2" LG..... | 6 |
| 34 | 00734-G1 | | | | | | LOCK NUT, 7/16 - 14 | 12 |
| 35 | 00463-G6 | | | | | | BOLT, 7/16 - 14 X 1 3/4" LG..... | 6 |
| 36 | 70163-G02 | | | | | | SPRING PLATE | 2 |
| 37 | | | | | | | | |
| 38 | 14723-G1 | | | | | | LUG NUT, 1/2 - 20..... | 8 |

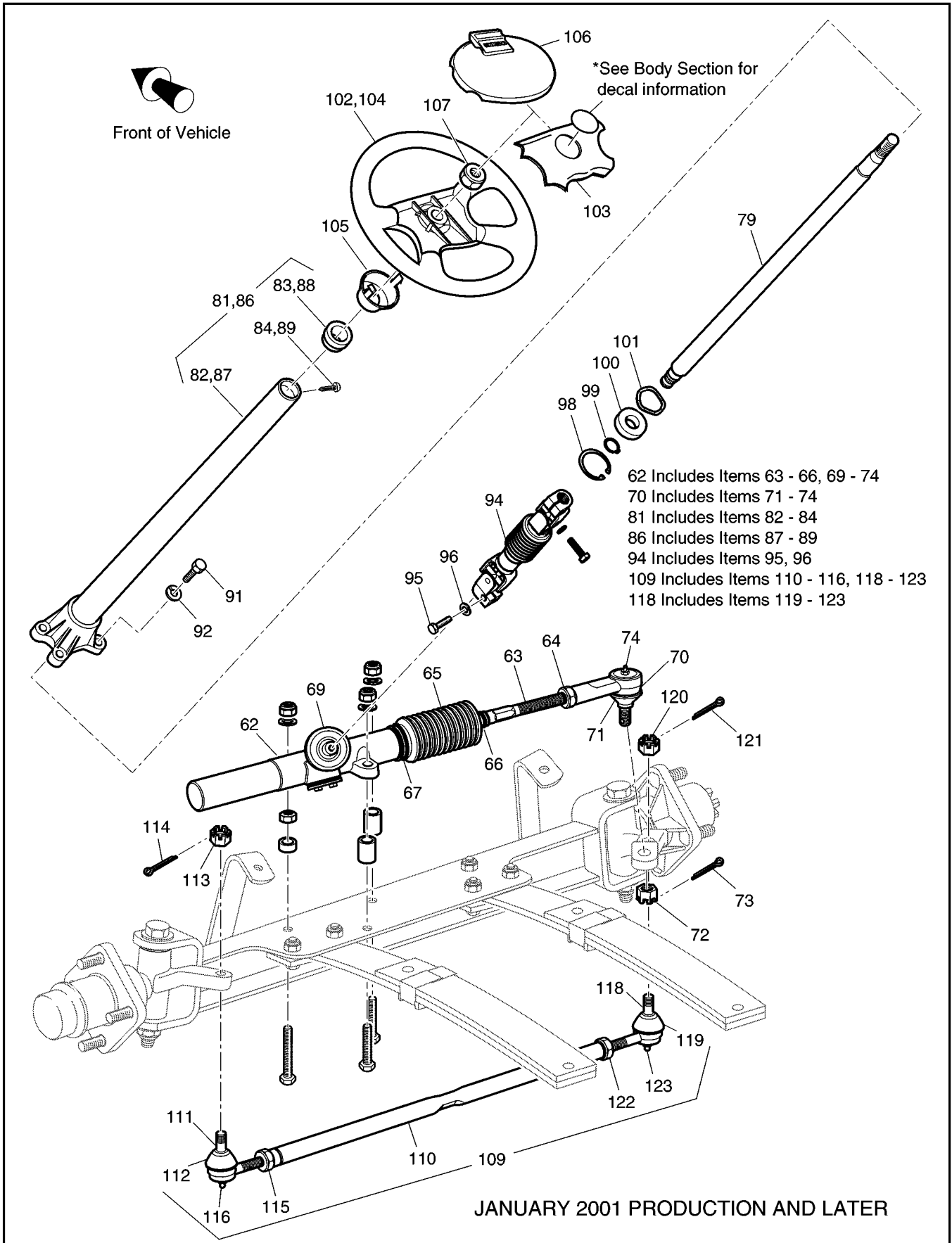


Electric Vehicle FRONT SUSPENSION (EARLY PRODUCTION)





Electric Vehicle FRONT SUSPENSION/STEERING (JAN. 2001)



FRONT SUSPENSION/STEERING (JAN. 2001) Electric Vehicle

When ordering parts, please specify the model and serial number of the product.

* Indicates a component that is not available as an individual part.

G** Indicates consult Customer Service Department for additional information.

| ITEM | PART NO. | 1 2 3 4 5 | DESCRIPTION | QTY. |
|------|-----------|-----------|--|------|
| 1 | 70744-G01 | | FRONT AXLE..... | 1 |
| 2 | | | | |
| 3 | 70672-G01 | | SPINDLE AND HUB ASSEMBLY, 4 LUG (PASSENGER SIDE) (INCLUDES ITEMS 4 - 10) | 1 |
| 4 | 70672-G02 | | SPINDLE ASSEMBLY (PASSENGER SIDE) | 1 |
| 5 | 25146-G1 | | GREASE SEAL | 1 |
| 6 | 50892-G1 | | ROLLER BEARING AND RACE ASSEMBLY | 2 |
| 7 | 70895-G01 | | WHEEL HUB ASSEMBLY WITH RACES, 4 LUG (INCLUDES ITEM 8)..... | 1 |
| 8 | 19862-G1 | | LUG BOLT, 1/2 - 20 X 1 7/32" LG..... | 4 |
| 9 | 12093-G1 | | SLOTTED NUT, 1 - 14..... | 1 |
| 10 | 00798-G8 | | COTTER PIN, 5/32" X 1 3/4" LG | 1 |
| 11 | 12091-G2 | | SPINDLE CAP..... | 2 |
| 12 | | | | |
| 13 | | | | |
| 14 | 70673-G01 | | SPINDLE AND HUB ASSEMBLY, 4 LUG (DRIVER SIDE) (INCLUDES ITEMS 5 - 10, 15) | 1 |
| 15 | 70673-G02 | | SPINDLE ASSEMBLY (DRIVER SIDE)..... | 1 |
| 16 | | | | |
| 17 | | | | |
| 18 | 70796-G01 | | SPINDLE AND HUB ASSEMBLY, 5 LUG (PASSENGER SIDE) (INCLUDES ITEMS 19 - 25) | 1 |
| 19 | 70672-G02 | | SPINDLE ASSEMBLY (PASSENGER SIDE) | 1 |
| 20 | 12092-G1 | | GREASE SEAL | 1 |
| 21 | 50892-G1 | | ROLLER BEARING AND RACE ASSEMBLY | 2 |
| 22 | 70772-G01 | | WHEEL HUB ASSEMBLY WITH RACES, 5 LUG (INCLUDES ITEM 23)..... | 1 |
| 23 | 30143-G1 | | LUG BOLT, 1/2 - 20 X 1 7/32" LG..... | 5 |
| 24 | 12093-G1 | | SLOTTED NUT, 1 - 14..... | 1 |
| 25 | 00798-G8 | | COTTER PIN, 5/32" X 1 3/4" LG | 1 |
| 26 | | | | |
| 27 | | | | |
| 28 | | | | |

Electric Vehicle FRONT SUSPENSION/STEERING (JAN. 2001)

When ordering parts, please specify the model and serial number of the product.

* Indicates a component that is not available as an individual part.

G** Indicates consult Customer Service Department for additional information.

| ITEM | PART NO. | 1 2 3 4 5 | DESCRIPTION | QTY. |
|------|-----------|-----------|---|------|
| 29 | 70797-G01 | | SPINDLE AND HUB ASSEMBLY, 5 LUG (DRIVER SIDE) (INCLUDES ITEMS 20 - 25, 30) | 1 |
| 30 | 70673-G02 | | SPINDLE ASSEMBLY (DRIVER SIDE)..... | 1 |
| 31 | | | | |
| 32 | | | | |
| 33 | 00407-G6 | | BOLT, 1/2 - 13 X 6" LG..... | 2 |
| 34 | 00560-G3 | | WASHER, 1/2" | 4 |
| 35 | 70745-G01 | | KING PIN TUBE..... | 2 |
| 36 | 70754-G01 | | THRUST WASHER (STAINLESS STEEL)..... | 2 |
| 37 | 14390-G6 | | LOCK NUT, 1/2 - 13 | 2 |
| 38 | | | | |
| 39 | | | | |
| 40 | 15707-G1 | | SHOCK ABSORBER | 2 |
| 41 | 70509-G01 | | SHOCK ABSORBER BOOT | 2 |
| 42 | 31539-G1 | | WIRE TIE | 4 |
| 43 | 10435-G1 | | SHOCK ABSORBER WASHER..... | 8 |
| 44 | 10194-G1 | | RUBBER SHOCK ABSORBER BUSHING | 8 |
| 45 | 00532-G6 | | NUT, 3/8 - 24 | 4 |
| 46 | | | | |
| 47 | | | | |
| 48 | 70597-G02 | | LEAF SPRING | 2 |
| 49 | 70664-G02 | | LEAF SPRING (HEAVY DUTY) | 2 |
| 50 | 70163-G02 | | SPRING PLATE | 4 |
| 51 | 00532-G7 | | NUT, 7/16 - 14 | 1 |
| 52 | 00560-G2 | | FLAT WASHER, 7/16"..... | 4 |
| 53 | 00463-G4 | | BOLT, 7/16 - 14 X 1 1/2" LG..... | 2 |
| 54 | 00734-G1 | | LOCK NUT, 7/16 - 14 | 12 |
| 55 | 00463-G6 | | BOLT, 7/16 - 14 X 1 3/4" LG..... | 9 |
| 56 | 00464-G6 | | BOLT, 7/16 - 14 X 2 3/4" LG..... | 2 |
| 57 | 01068-G01 | | BOLT, 7/16 - 14 X 3 1/2" LG..... | 1 |



FRONT SUSPENSION/STEERING (JAN. 2001) Electric Vehicle

When ordering parts, please specify the model and serial number of the product.

* Indicates a component that is not available as an individual part.

G** Indicates consult Customer Service Department for additional information.

| ITEM | PART NO. | 1 2 3 4 5 | DESCRIPTION | QTY. |
|------|-----------|-----------|--|------|
| 58 | 70667-G02 | | SPACER..... | 2 |
| 59 | 70667-G03 | | SPACER (SHORT)..... | 1 |
| 60 | | | | |
| 61 | | | | |
| 62 | 70602-G01 | | RACK AND PINION UNIT (COMPLETE) (INCLUDES ITEMS 63 - 66, 69 - 74). | 1 |
| 63 | 70694-G01 | | RACK EXTENSION..... | 1 |
| 64 | * | | JAM NUT, 1/2" - 20..... | 1 |
| 65 | 70675-G01 | | RACK BOOT | 1 |
| 66 | 17618-G1 | | WIRE TIE..... | 1 |
| 67 | 12416-G2 | | WIRE TIE | 1 |
| 68 | | | | |
| 69 | 70638-G01 | | PINION SEAL..... | 1 |
| 70 | 70695-G01 | | RACK BALL JOINT (INCLUDES ITEMS 71 - 74)..... | 1 |
| 71 | 50641-G1 | | RUBBER BOOT | 1 |
| 72 | 50209-G2 | | SLOTTED NUT, 7/16 - 20..... | 1 |
| 73 | 10387-G2 | | COTTER PIN, 3/32" X 1" LG..... | 1 |
| 74 | 10389-G3 | | GREASE FITTING, STRAIGHT | 1 |
| 75 | | | | |
| 76 | | | | |
| 77 | | | | |
| 78 | | | | |
| 79 | 70607-G01 | | STEERING SHAFT | 1 |
| 80 | | | | |
| 81 | 70758-G03 | | STEERING COLUMN KIT (INCLUDES ITEMS 82 - 84)..... | 1 |
| 82 | 70610-G01 | | STEERING COLUMN..... | 1 |
| 83 | 28569-G01 | | STEERING COLUMN BUSHING | 1 |
| 84 | 01022-G01 | | SCREW, #6 - 20 X 5/16" LG..... | 1 |
| 85 | | | | |
| 86 | 70758-G04 | | STEERING COLUMN KIT (HORN) (INCLUDES ITEMS 87 - 89)..... | 1 |
| 87 | 70610-G02 | | STEERING COLUMN..... | 1 |



Electric Vehicle FRONT SUSPENSION/STEERING (JAN. 2001)

When ordering parts, please specify the model and serial number of the product.

* Indicates a component that is not available as an individual part.

G** Indicates consult Customer Service Department for additional information.

| ITEM | PART NO. | 1 2 3 4 5 | DESCRIPTION | QTY. |
|------|-----------|-----------|---|------|
| 88 | 28569-G01 | | STEERING COLUMN BUSHING | 1 |
| 89 | 01022-G01 | | SCREW, #6 - 20 X 5/16" LG..... | 1 |
| 90 | | | | |
| 91 | 01006-G01 | | BOLT, 3/8 - 16 X 1 1/4" LG WITH PATCHLOCK | 4 |
| 92 | 00879-G1 | | LOCK WASHER, 3/8"..... | 4 |
| 93 | | | | |
| 94 | 70580-G01 | | INTERMEDIATE SHAFT (INCLUDES ITEMS 95, 96)..... | 1 |
| 95 | 01055-G01 | | BOLT, M8 X 1 1/4" LG | 2 |
| 96 | 00565-G8 | | LOCK WASHER, 5/16"..... | 2 |
| 97 | | | | |
| 98 | 70751-G01 | | RETAINING RING (INTERNAL)..... | 1 |
| 99 | 70888-G01 | | RETAINING RING (EXTERNAL)..... | 1 |
| 100 | 15112-G1 | | BALL BEARING | 1 |
| 101 | 70887-G01 | | WAVE WASHER | 1 |
| 102 | 71146-G01 | | STEERING WHEEL | 1 |
| 103 | 71147-G01 | | STEERING WHEEL COVER | 1 |
| 104 | 71948-G01 | | STEERING WHEEL | 1 |
| 105 | 71949-G01 | | HUB COVER..... | 1 |
| 106 | 71950-G01 | | CLIPBOARD | 1 |
| 107 | 14390-G2 | | LOCK NUT, 5/8 - 18 | 1 |
| 108 | | | | |
| 109 | 20788-G2 | | TIE ROD ASSEMBLY (INCLUDES ITEMS 110 - 116, 118 - 123) | 1 |
| 110 | 70583-G03 | | THREADED TUBE WITH FLAT | 1 |
| 111 | 27205-G01 | | TIE ROD END (LEFT HAND THREAD) (INCLUDES ITEMS 112 - 114) | 1 |
| 112 | 50641-G1 | | RUBBER BOOT | 1 |
| 113 | 50209-G2 | | SLOTTED NUT, 7/16 - 20..... | 1 |
| 114 | 10387-G2 | | COTTER PIN, 3/32" X 1" LG..... | 1 |
| 115 | 18434-G3 | | JAM NUT, 9/16 - 18 (LEFT HAND THREAD) | 1 |
| 116 | 10389-G3 | | GREASE FITTING, STRAIGHT | 1 |
| 117 | | | | |



Electric Vehicle FRONT SUSPENSION/STEERING (JAN. 2001)

When ordering parts, please specify the model and serial number of the product.
 * Indicates a component that is not available as an individual part.
 G** Indicates consult Customer Service Department for additional information.

| ITEM | PART NO. | 1 | 2 | 3 | 4 | 5 | DESCRIPTION | QTY. |
|------|-----------|---|---|---|---|---|---|------|
| 118 | 27205-G02 | | | | | | TIE ROD END (RIGHT HAND THREAD) (INCLUDES ITEMS 119 - 123) | 1 |
| 119 | 50641-G1 | | | | | | RUBBER BOOT | 1 |
| 120 | 50209-G2 | | | | | | SLOTTED NUT, 7/16 - 20..... | 1 |
| 121 | 10387-G2 | | | | | | COTTER PIN, 3/32" X 1" LG..... | 1 |
| 122 | 18434-G4 | | | | | | JAM NUT, 9/16 - 18 (RIGHT HAND THREAD)..... | 1 |
| 123 | 10389-G3 | | | | | | GREASE FITTING, STRAIGHT | 1 |



Electric Vehicle FRONT SUSPENSION/STEERING (JAN. 2001)

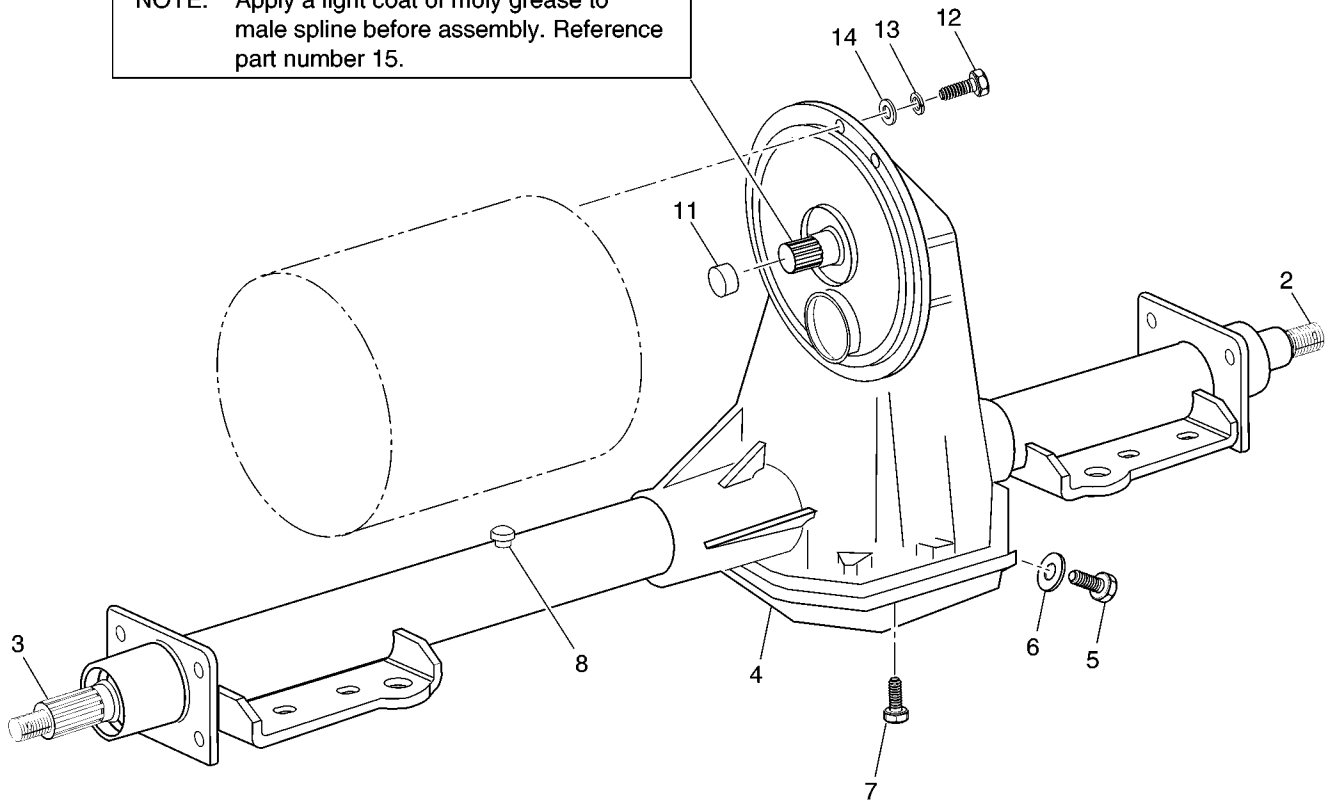
When ordering parts, please specify the model and serial number of the product.
* Indicates a component that is not available as an individual part.
G** Indicates consult Customer Service Department for additional information.

| ITEM | PART NO. | 1 | 2 | 3 | 4 | 5 | DESCRIPTION | QTY. |
|------|----------|---|---|---|---|---|-------------|------|
| | | | | | | | | |



1 - Includes Items 2 - 8

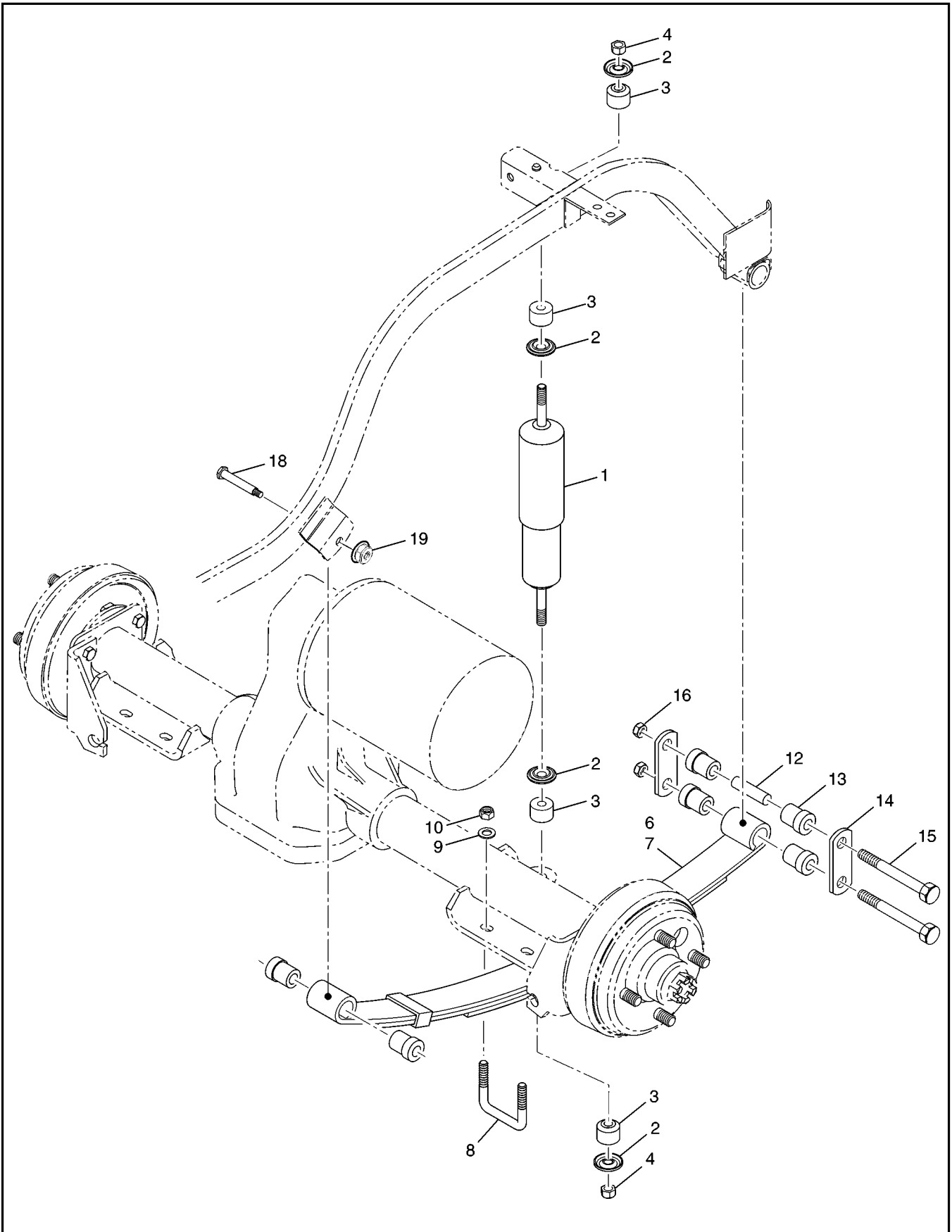
NOTE: Apply a light coat of moly grease to male spline before assembly. Reference part number 15.



When ordering parts, please specify the model and serial number of the product.
 * Indicates a component that is not available as an individual part.
 G** Indicates consult Customer Service Department for additional information.

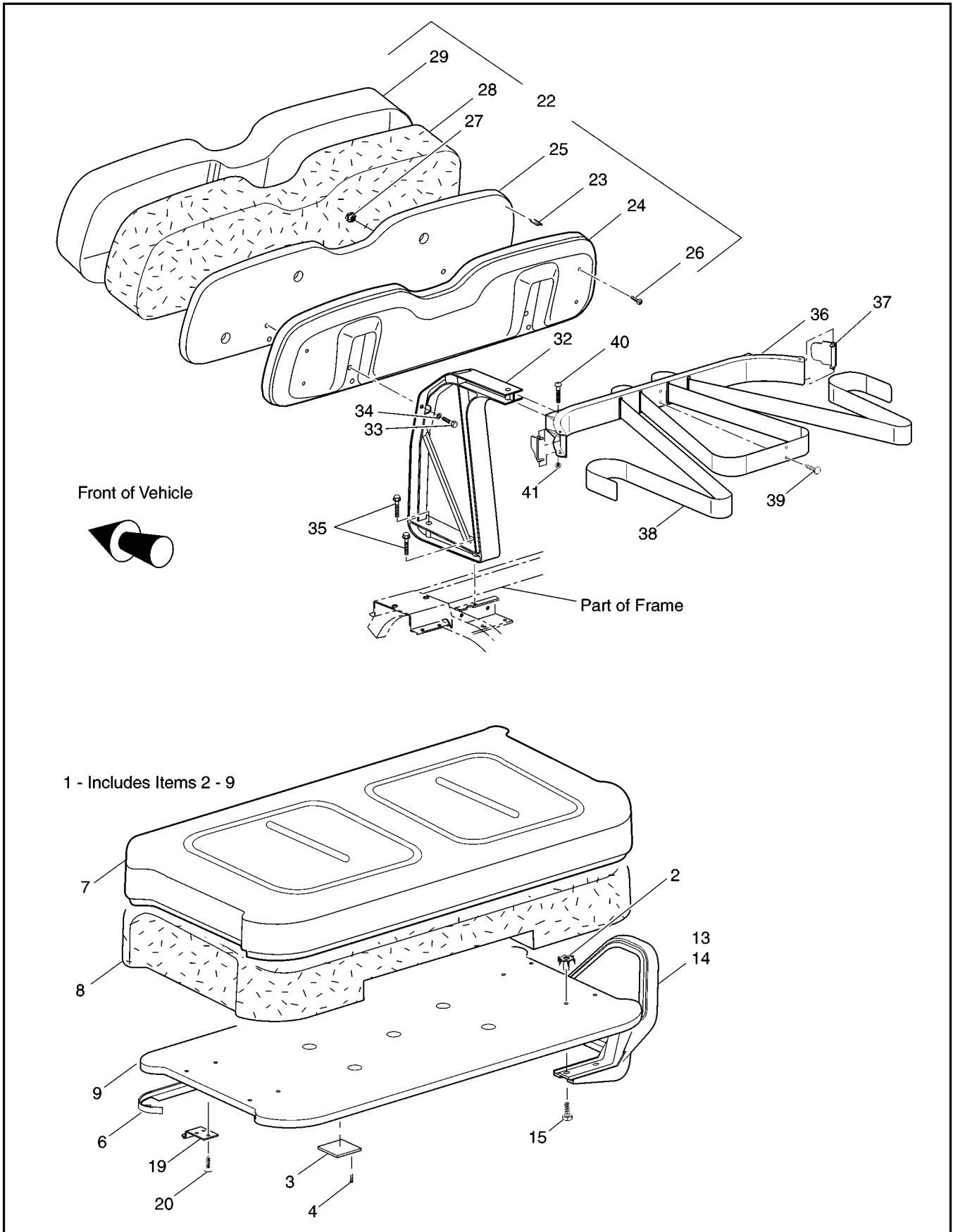
| ITEM | PART NO. | 1 2 3 4 5 | DESCRIPTION | QTY. |
|------|-----------|-----------|---|------|
| 1 | 73069-G01 | | REAR AXLE ASSEMBLY (INCLUDES ITEMS 2 - 8) | 1 |
| 2 | 20377-G12 | | AXLE SHAFT (PASSENGER SIDE) | 1 |
| 3 | 20377-G11 | | AXLE SHAFT (DRIVER SIDE)..... | 1 |
| 4 | 25228-G1 | | DIFFERENTIAL COVER | 1 |
| 5 | 25226-G1 | | FILL/CHECK PLUG | 1 |
| 6 | 25227-G1 | | WASHER | 1 |
| 7 | 15558-G1 | | BOLT, 5/16 - 18 X 3/4" LG | 10 |
| 8 | 73050-G01 | | VENT | 1 |
| 9 | | | | |
| 10 | | | | |
| 11 | XXXXX-XXX | | BUMPER SPLINE (SEE ELECTRIC MOTOR) | 1 |
| 12 | 00797-G2 | | BOLT, 1/4 - 20 X 1 1/4" LG..... | 3 |
| 13 | 00565-G7 | | LOCK WASHER, 1/4" | 3 |
| 14 | 00559-G7 | | WASHER, 1/4" | 3 |
| 15 | 28095-G01 | | MOLY LUBE, 2 OZ..... | AR |





When ordering parts, please specify the model and serial number of the product.
 * Indicates a component that is not available as an individual part.
 G** Indicates consult Customer Service Department for additional information.

| ITEM | PART NO. | 1 2 3 4 5 | DESCRIPTION | QTY. |
|------|-----------|-----------|--|------|
| 1 | 70324-G01 | | SHOCK ABSORBER | 2 |
| 2 | 10435-G1 | | SHOCK ABSORBER WASHER..... | 8 |
| 3 | 10194-G1 | | RUBBER SHOCK ABSORBER BUSHING | 8 |
| 4 | 00532-G6 | | NUT, 3/8 - 24 | 4 |
| 5 | | | | |
| 6 | 70474-G01 | | LEAF SPRING, 2 LEAF | 2 |
| 7 | 74207-G01 | | LEAF SPRING, 4 LEAF | 2 |
| 8 | 72618-G01 | | "U" BOLT, 3/8 - 16 | 4 |
| 9 | 00560-G1 | | WASHER, 3/8" | 8 |
| 10 | 11098-G5 | | LOCK NUT, 3/8 - 16 | 8 |
| 11 | | | | |
| 12 | 70289-G02 | | SPACER..... | 4 |
| 13 | 70291-G01 | | BUSHING (LEAF SPRING)..... | 12 |
| 14 | 70290-G01 | | SHACKLE PLATE | 4 |
| 15 | 00429-G4 | | BOLT, 3/8 - 16 X 3 1/2" LG..... | 4 |
| 16 | 11098-G5 | | LOCK NUT, 3/8 - 16 | 4 |
| 17 | | | | |
| 18 | 14158-G1 | | SHOULDER BOLT, 3/8 - 16 X 3 1/4" LG..... | 2 |
| 19 | 12262-G1 | | LOCK NUT, 3/8 - 16 | 2 |



When ordering parts, please specify the model and serial number of the product.

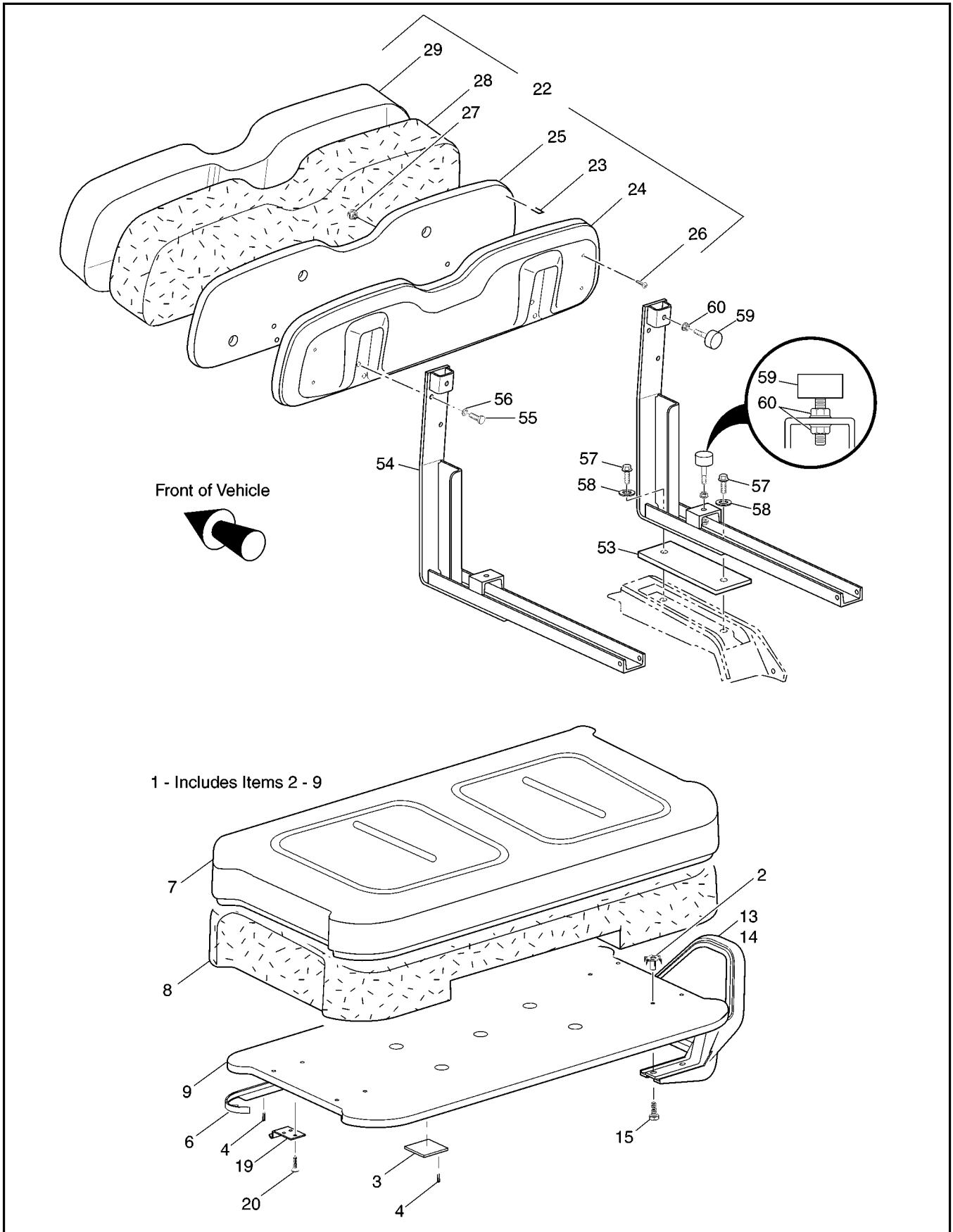
* Indicates a component that is not available as an individual part.

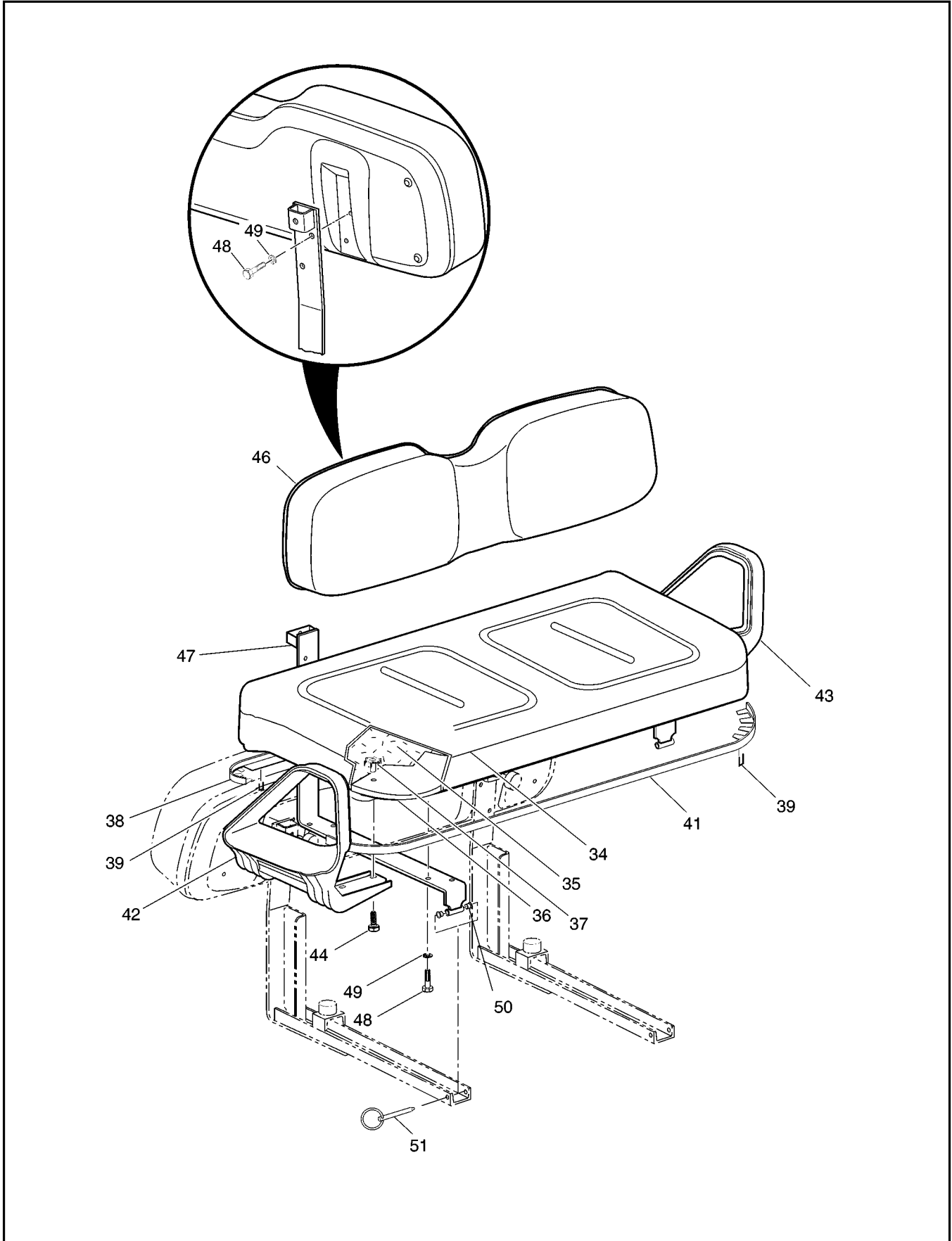
G** Indicates consult Customer Service Department for additional information.

| ITEM | PART NO. | 1 | 2 | 3 | 4 | 5 | DESCRIPTION | QTY. |
|------|-----------|---|---|---|---|---|---|------|
| 1 | 71611-G** | | | | | | SEAT BOTTOM ASSEMBLY (INCLUDES ITEMS 2 - 9) | 1 |
| 2 | * | | | | | | TEE NUT | 8 |
| 3 | 17074-G1 | | | | | | BUMPER | 2 |
| 4 | * | | | | | | FLAT STAPLE..... | 110 |
| 5 | | | | | | | | |
| 6 | 71012-G01 | | | | | | VINYL TRIM (SEAT BOTTOM)..... | 1 |
| 7 | 71602-G** | | | | | | VINYL SEAT BOTTOM COVER | 1 |
| 8 | * | | | | | | FOAM PADDING (SEAT BOTTOM) | 1 |
| 9 | * | | | | | | SEAT BOTTOM (WOOD) | 1 |
| 10 | | | | | | | | |
| 11 | | | | | | | | |
| 12 | | | | | | | | |
| 13 | 71701-G01 | | | | | | HIP RESTRAINT (PASSENGER SIDE)..... | 1 |
| 14 | 71702-G01 | | | | | | HIP RESTRAINT (DRIVER SIDE) | 1 |
| 15 | 71204-G01 | | | | | | BOLT, 1/4 - 20 X 7/8" LG..... | 8 |
| 16 | | | | | | | | |
| 17 | | | | | | | | |
| 18 | | | | | | | | |
| 19 | 71610-G01 | | | | | | SEAT HINGE..... | 2 |
| 20 | 00720-G08 | | | | | | SCREW, #12 - 14 X 1" LG | 4 |
| 21 | | | | | | | | |
| 22 | 71751-G** | | | | | | SEAT BACK ASSEMBLY (INCLUDES ITEMS 23 - 29) | 1 |
| 23 | * | | | | | | FLAT STAPLE..... | 95 |
| 24 | 71752-G01 | | | | | | PLASTIC SEAT BACK COVER | 1 |
| 25 | * | | | | | | SEAT BACK (WOOD)..... | 1 |
| 26 | 71002-G01 | | | | | | SCREW, #8 X 5/8" LG | 4 |
| 27 | * | | | | | | TEE NUT | 4 |
| 28 | * | | | | | | FOAM PADDING (SEAT BACK) | 1 |
| 29 | 71753-G** | | | | | | VINYL SEAT BACK COVER | 1 |
| 30 | | | | | | | | |

When ordering parts, please specify the model and serial number of the product.
 * Indicates a component that is not available as an individual part.
 G** Indicates consult Customer Service Department for additional information.

| ITEM | PART NO. | 1 2 3 4 5 | DESCRIPTION | QTY. |
|------|-----------|-----------|---|------|
| 31 | | | | |
| 32 | 71811-G02 | | SEAT SUPPORT BRACKET | 2 |
| 33 | 00414-G8 | | BOLT, 1/4 - 20 X 1" LG | 4 |
| 34 | 00565-G7 | | LOCK WASHER, 1/4" | 4 |
| 35 | 71802-G01 | | BOLT, 3/8 - 16 X 2 1/4" LG | 4 |
| 36 | 71851-G01 | | BAG HOLDER BRACKET | 1 |
| 37 | 71856-G01 | | BAG RETAINER CLAMP | 2 |
| 38 | 71853-G01 | | BAG RETAINER STRAP | 1 |
| 39 | 16816-G1 | | RATCHET FASTENER, 1/4" X 5/8" LG | 2 |
| 40 | 71821-G01 | | CARRIAGE BOLT, 1/4 - 20 X 1 1/2" LG | 2 |
| 41 | 11027-G2 | | LOCK NUT, 1/4 - 20 | 2 |





When ordering parts, please specify the model and serial number of the product.

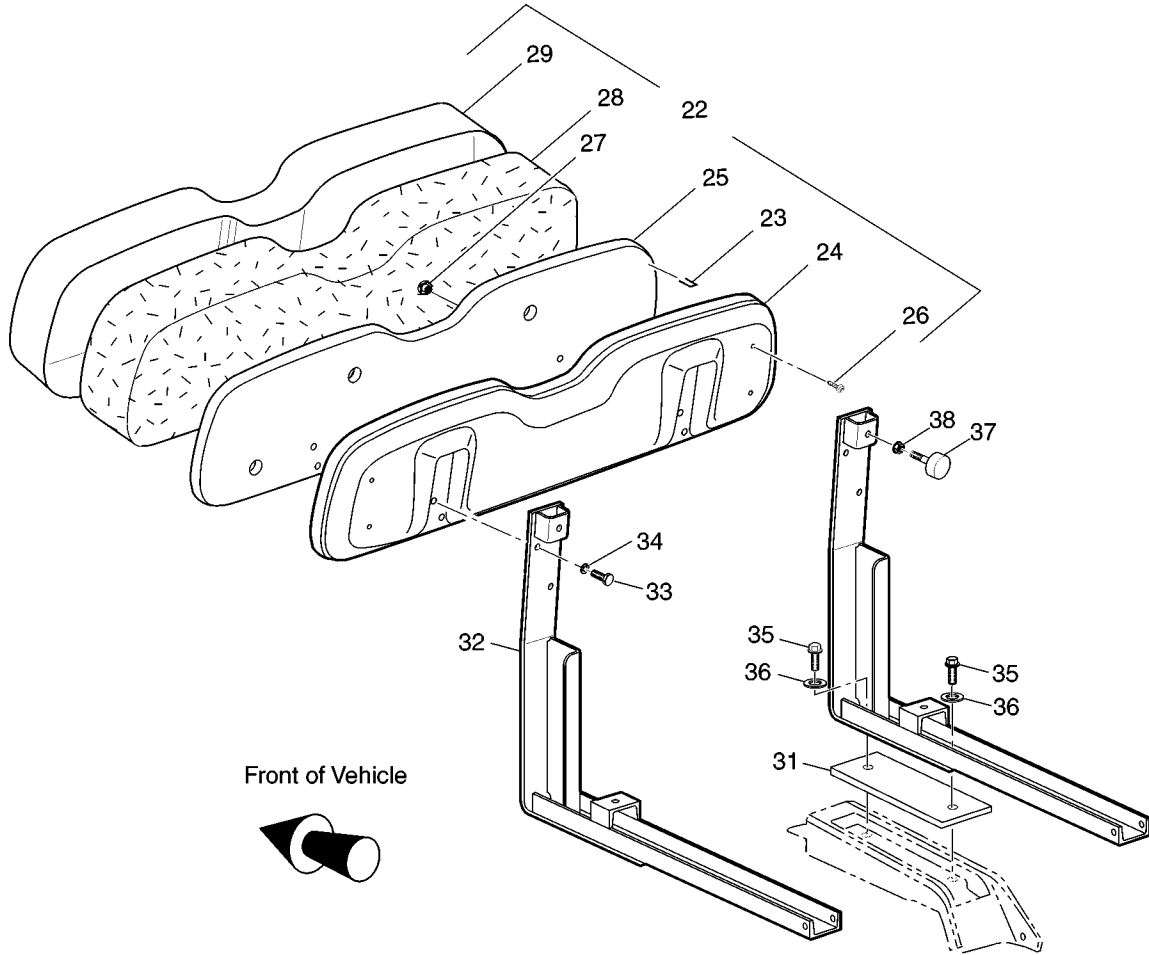
* Indicates a component that is not available as an individual part.

G** Indicates consult Customer Service Department for additional information.

| ITEM | PART NO. | 1 2 3 4 5 | DESCRIPTION | QTY. |
|------|-----------|-----------|---|------|
| 1 | 71611-G** | | SEAT BOTTOM ASSEMBLY (INCLUDES ITEMS 2 - 9) | 1 |
| 2 | * | | TEE NUT..... | 8 |
| 3 | 17074-G1 | | BUMPER..... | 2 |
| 4 | * | | FLAT STAPLE..... | 110 |
| 5 | | | | |
| 6 | 71012-G01 | | VINYL TRIM (SEAT BOTTOM)..... | 1 |
| 7 | 71602-G** | | VINYL SEAT BOTTOM COVER | 1 |
| 8 | * | | FOAM PADDING (SEAT BOTTOM)..... | 1 |
| 9 | * | | SEAT BOTTOM (WOOD)..... | 1 |
| 10 | | | | |
| 11 | | | | |
| 12 | | | | |
| 13 | 71701-G01 | | HIP RESTRAINT (PASSENGER SIDE) | 1 |
| 14 | 71702-G01 | | HIP RESTRAINT (DRIVER SIDE)..... | 1 |
| 15 | 71204-G01 | | BOLT, 1/4 - 20 X 7/8" LG..... | 8 |
| 16 | | | | |
| 17 | | | | |
| 18 | | | | |
| 19 | 71610-G01 | | SEAT HINGE | 2 |
| 20 | 00720-G08 | | SCREW, #12 - 14 X 1" LG..... | 6 |
| 21 | | | | |
| 22 | 71751-G** | | SEAT BACK ASSEMBLY (INCLUDES ITEMS 23 - 29)..... | 1 |
| 23 | * | | FLAT STAPLE..... | 95 |
| 24 | 71752-G01 | | PLASTIC SEAT BACK COVER | 1 |
| 25 | * | | SEAT BACK (WOOD)..... | 1 |
| 26 | 71002-G01 | | SCREW, #8 X 5/8" LG | 4 |
| 27 | * | | TEE NUT..... | 4 |
| 28 | * | | FOAM PADDING (SEAT BACK) | 1 |
| 29 | 71753-G** | | VINYL SEAT BACK COVER | 1 |
| 30 | | | | |

When ordering parts, please specify the model and serial number of the product.
 * Indicates a component that is not available as an individual part.
 G** Indicates consult Customer Service Department for additional information.

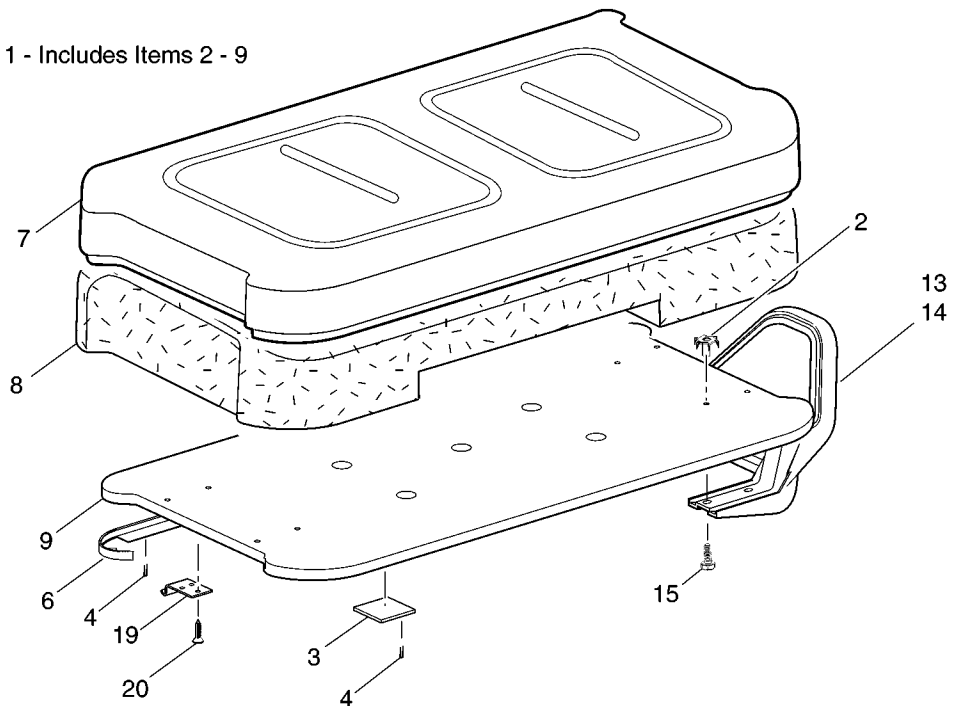
| ITEM | PART NO. | 1 | 2 | 3 | 4 | 5 | DESCRIPTION | QTY. |
|------|-----------|---|---|---|---|---|--|------|
| 31 | | | | | | | | |
| 32 | | | | | | | | |
| 33 | 74139-G** | | | | | | SEAT BOTTOM ASSEMBLY (INCLUDES ITEMS 34 - 44)..... | 1 |
| 34 | 71602-G** | | | | | | VINYL COVER (SEAT BOTTOM)..... | 1 |
| 35 | * | | | | | | FOAM PADDING (SEAT BOTTOM) | 1 |
| 36 | * | | | | | | SEAT BOTTOM (WOOD) | 1 |
| 37 | * | | | | | | TEE NUT | 16 |
| 38 | 74140-G01 | | | | | | TRIM | 1 |
| 39 | * | | | | | | FLAT STAPLE..... | 110 |
| 40 | | | | | | | | |
| 41 | 71012-G01 | | | | | | TRIM | 1 |
| 42 | 71702-G01 | | | | | | HIP RESTRAINT (DRIVER SIDE) | 1 |
| 43 | 71701-G01 | | | | | | HIP RESTRAINT (PASSENGER SIDE) | 1 |
| 44 | 00414-G8 | | | | | | BOLT, 1/4 - 20 X 1" LG | 8 |
| 45 | | | | | | | | |
| 46 | 71751-G** | | | | | | SEAT BACK ASSEMBLY (INCLUDES ITEMS 23 - 29) | 1 |
| 47 | 74117-G01 | | | | | | SEAT SUPPORT BRACKET | 2 |
| 48 | 00414-G8 | | | | | | BOLT, 1/4 - 20 X 1" LG..... | 12 |
| 49 | 00565-G7 | | | | | | LOCK WASHER, 1/4" | 12 |
| 50 | 17838-G1 | | | | | | NYLON BUSHING | 4 |
| 51 | 74134-G01 | | | | | | QUICK RELEASE PIN | 2 |
| 52 | | | | | | | | |
| 53 | 70364-G01 | | | | | | SPACER..... | 2 |
| 54 | 74111-G01 | | | | | | SEAT BACK SUPPORT | 2 |
| 55 | 00414-G8 | | | | | | BOLT, 1/4 - 20 X 1" LG..... | 4 |
| 56 | 00565-G7 | | | | | | LOCK WASHER, 1/4" | 4 |
| 57 | 01006-G02 | | | | | | BOLT, 3/8 - 16 X 1 1/2" LG..... | 4 |
| 58 | 00560-G1 | | | | | | WASHER, 3/8" | 4 |
| 59 | 70113-G01 | | | | | | RUBBER BUMPER..... | 4 |
| 60 | 11027-G1 | | | | | | LOCK NUT, 5/16 - 18 | 6 |

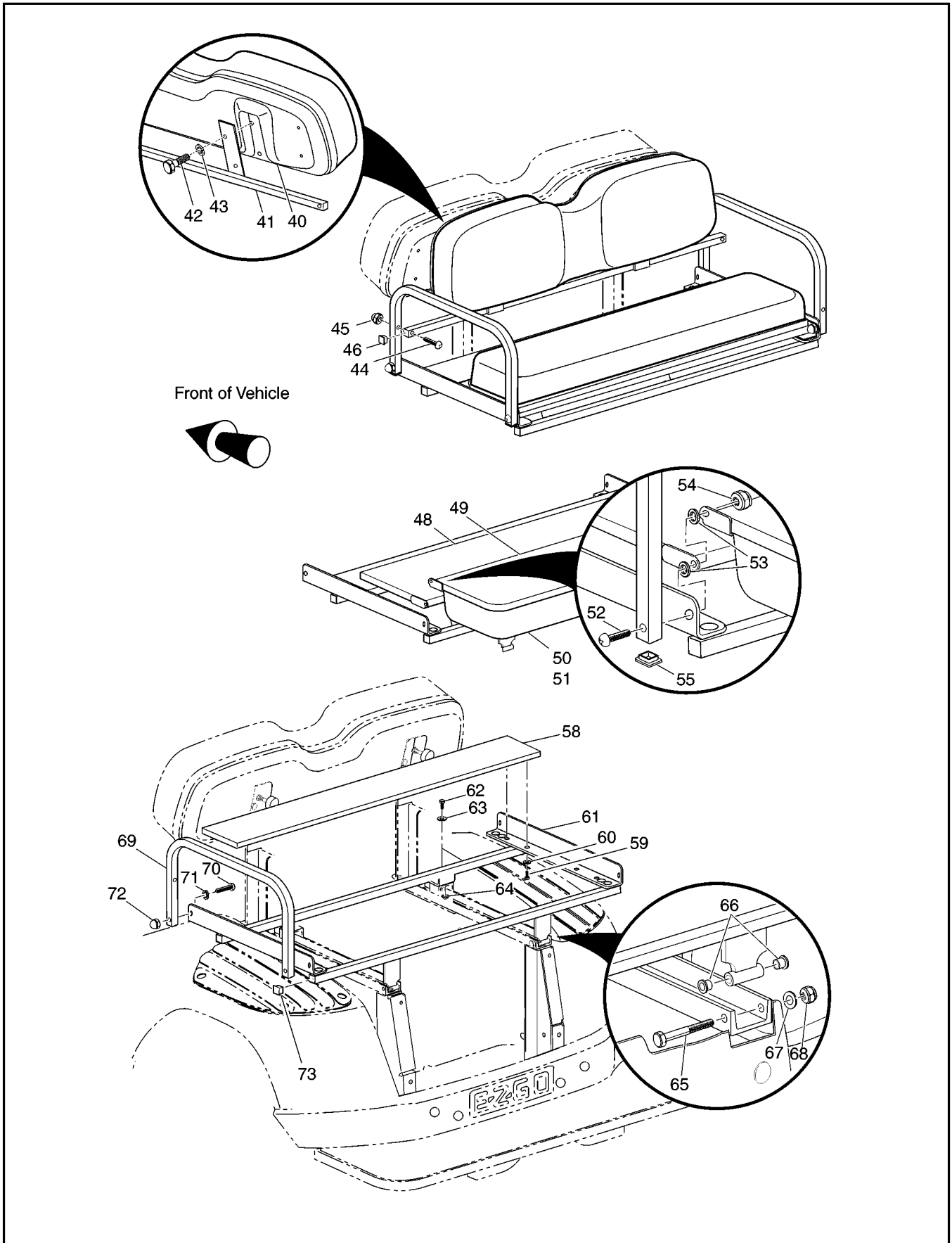


Front of Vehicle



1 - Includes Items 2 - 9





When ordering parts, please specify the model and serial number of the product.
 * Indicates a component that is not available as an individual part.
 G** Indicates consult Customer Service Department for additional information.

| ITEM | PART NO. | 1 2 3 4 5 | DESCRIPTION | QTY. |
|------|-----------|-----------|---|------|
| 1 | 71611-G** | | SEAT BOTTOM ASSEMBLY (INCLUDES ITEMS 2 - 9) | 1 |
| 2 | * | | TEE NUT..... | 8 |
| 3 | 17074-G1 | | BUMPER..... | 2 |
| 4 | * | | FLAT STAPLE | 110 |
| 5 | * | | FLAT STAPLE | 46 |
| 6 | 71012-G01 | | VINYL TRIM (SEAT BOTTOM) | 1 |
| 7 | 71602-G** | | VINYL SEAT BOTTOM COVER | 1 |
| 8 | * | | FOAM PADDING (SEAT BOTTOM)..... | 1 |
| 9 | * | | SEAT BOTTOM (WOOD)..... | 1 |
| 10 | | | | |
| 11 | | | | |
| 12 | | | | |
| 13 | 71701-G01 | | HIP RESTRAINT (PASSENGER SIDE) | 1 |
| 14 | 71702-G01 | | HIP RESTRAINT (DRIVER SIDE)..... | 1 |
| 15 | 00414-G8 | | BOLT, 1/4 - 20 X 1" LG | 8 |
| 16 | | | | |
| 17 | | | | |
| 18 | | | | |
| 19 | 71610-G01 | | SEAT HINGE | 2 |
| 20 | 00720-G08 | | SCREW, #12 - 14 X 1" LG..... | 4 |
| 21 | | | | |
| 22 | 71751-G** | | SEAT BACK ASSEMBLY (INCLUDES ITEMS 23 - 29)..... | 1 |
| 23 | * | | FLAT STAPLE | 95 |
| 24 | 71752-G01 | | PLASTIC SEAT BACK COVER | 1 |
| 25 | * | | SEAT BACK (WOOD) | 1 |
| 26 | 71002-G01 | | SCREW, #8 X 5/8" LG | 4 |
| 27 | * | | TEE NUT..... | 4 |
| 28 | * | | FOAM PADDING (SEAT BACK) | 1 |
| 29 | 71753-G** | | VINYL SEAT BACK COVER | 1 |
| 30 | | | | |



When ordering parts, please specify the model and serial number of the product.

* Indicates a component that is not available as an individual part.

G** Indicates consult Customer Service Department for additional information.

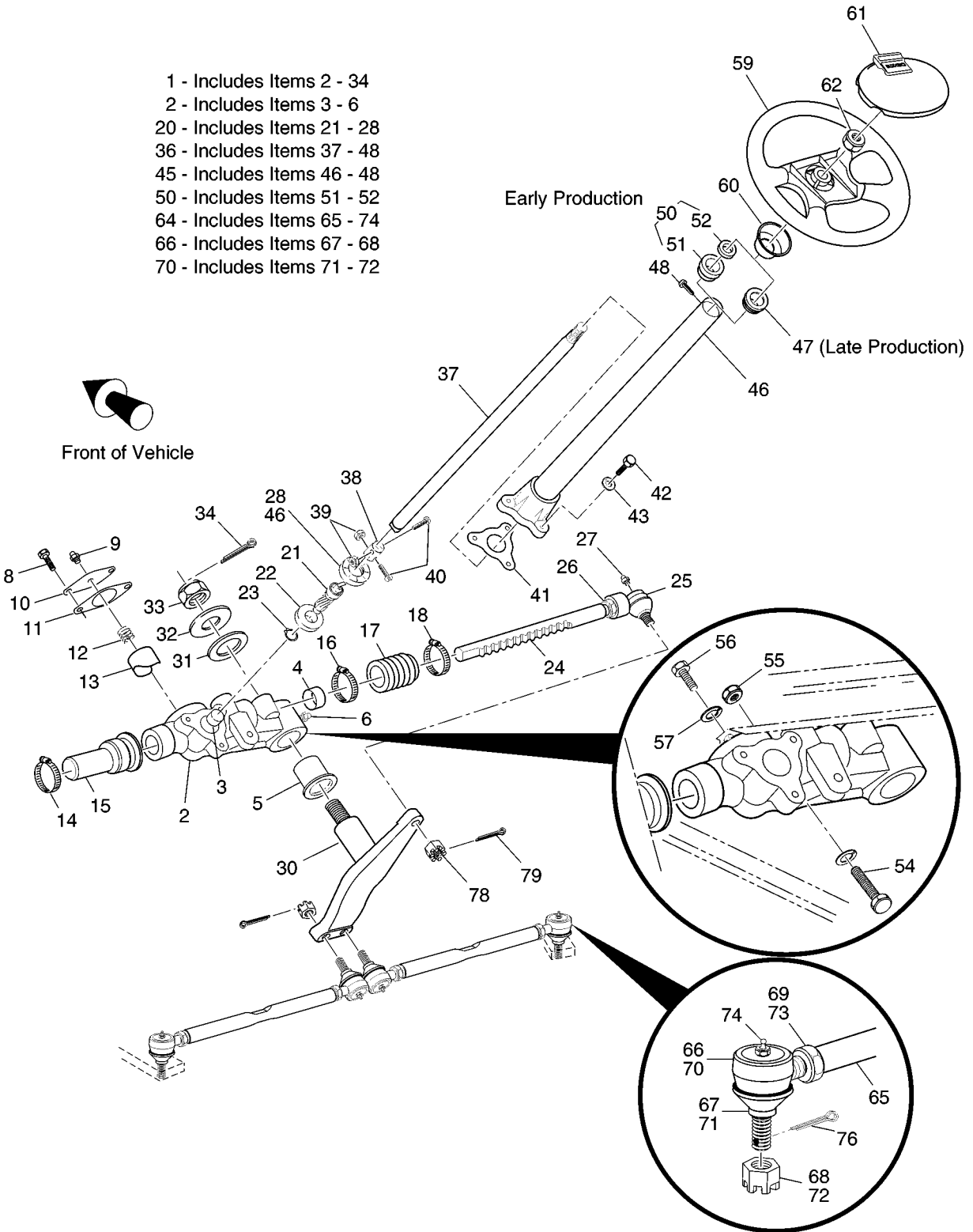
| ITEM | PART NO. | 1 2 3 4 5 | DESCRIPTION | QTY. |
|------|-----------|-----------|--|------|
| 31 | 70364-G01 | | SPACER..... | 2 |
| 32 | 74111-G01 | | SEAT BACK SUPPORT | 2 |
| 33 | 00414-G8 | | BOLT, 1/4 - 20 X 1" LG..... | 4 |
| 34 | 00565-G7 | | LOCK WASHER, 1/4" | 4 |
| 35 | 01006-G02 | | BOLT, 3/8 - 16 X 1 1/2" LG..... | 4 |
| 36 | 00560-G1 | | WASHER, 3/8" | 4 |
| 37 | 70113-G01 | | RUBBER BUMPER..... | 2 |
| 38 | 11027-G1 | | LOCK NUT, 5/16 - 18 | 2 |
| 39 | | | | |
| 40 | 71751-G** | | SEAT BACK ASSEMBLY (INCLUDES ITEMS 23 - 29) | 1 |
| 41 | 75258-G01 | | SEAT BACK MOUNT | 1 |
| 42 | 00414-G8 | | BOLT, 1/4 - 20 X 1" LG..... | 4 |
| 43 | 00565-G7 | | LOCK WASHER, 1/4" | 4 |
| 44 | 16705-G6 | | BOLT, 1/4 - 20 X 1 3/4" LG..... | 2 |
| 45 | 00520-G1 | | ACORN NUT, 1/4 - 20 | 2 |
| 46 | 19859-G1 | | END PLUG, 3/4"..... | 2 |
| 47 | | | | |
| 48 | 75229-G01 | | BED ASSEMBLY (INCLUDES HINGE AND MAT)..... | 1 |
| 49 | 75263-G01 | | SEAT BOTTOM ASSEMBLY (INCLUDES HINGE AND MAT)..... | 1 |
| 50 | 75197-G** | | SEAT BOTTOM | 1 |
| 51 | 75252-G01 | | VINYL SEAT BOTTOM COVER..... | 1 |
| 52 | 00762-G4 | | BOLT, 5/16 - 18 X 1 1/2" LG..... | 2 |
| 53 | 17255-G1 | | TEFLON WASHER, 5/16" | 4 |
| 54 | 00654-G3 | | LOCK NUT, 5/16 - 18 | 2 |
| 55 | 19859-G1 | | END CAP, 3/4" | 4 |
| 56 | | | | |
| 57 | | | | |
| 58 | 75273-G01 | | BED FRONT (INCLUDES MAT)..... | 1 |
| 59 | 00661-G6 | | BOLT, 1/4 - 20 X 3/4" LG..... | 4 |
| 60 | 00559-G8 | | WASHER, 5/16" | 4 |

When ordering parts, please specify the model and serial number of the product.
 * Indicates a component that is not available as an individual part.
 G** Indicates consult Customer Service Department for additional information.

| ITEM | PART NO. | 1 2 3 4 5 | DESCRIPTION | QTY. |
|------|-----------|-----------|----------------------------------|------|
| 61 | 75193-G01 | | SUPPORT FRAME..... | 1 |
| 62 | 00438-G8 | | BOLT, 5/16 - 18 X 1" LG..... | 2 |
| 63 | 00559-G8 | | WASHER, 5/16"..... | 2 |
| 64 | 11027-G1 | | LOCK NUT, 5/16 - 18..... | 2 |
| 65 | 00440-G4 | | BOLT, 5/16 - 18 X 2 1/2" LG..... | 2 |
| 66 | 17838-G1 | | NYLON BUSHING..... | 4 |
| 67 | 00559-G8 | | WASHER, 5/16"..... | 2 |
| 68 | 00654-G3 | | LOCK NUT, 5/16 - 18..... | 2 |
| 69 | 75196-G01 | | HANDRAIL..... | 2 |
| 70 | 00762-G02 | | BOLT, 5/16 - 18 X 1 1/4" LG..... | 2 |
| 71 | 00664-G8 | | LOCK WASHER, 5/16"..... | 2 |
| 72 | 00520-G3 | | ACORN NUT, 5/16 - 18..... | 2 |
| 73 | 75261-G02 | | END CAP, 1"..... | 4 |

FOR STEERING PRODUCTION AFTER JAN. 2001
SEE 'FRONT SUSPENSION/STEERING (JAN. 2001)

- 1 - Includes Items 2 - 34
- 2 - Includes Items 3 - 6
- 20 - Includes Items 21 - 28
- 36 - Includes Items 37 - 48
- 45 - Includes Items 46 - 48
- 50 - Includes Items 51 - 52
- 64 - Includes Items 65 - 74
- 66 - Includes Items 67 - 68
- 70 - Includes Items 71 - 72



When ordering parts, please specify the model and serial number of the product.

* Indicates a component that is not available as an individual part.

G** Indicates consult Customer Service Department for additional information.

| ITEM | PART NO. | 1 | 2 | 3 | 4 | 5 | DESCRIPTION | QTY. |
|------|-----------|---|---|---|---|---|--|------|
| 1 | 70314-G02 | | | | | | STEERING BOX ASSEMBLY (COMPLETE) (INCLUDES ITEMS 2 - 34) | 1 |
| 2 | 75364-G01 | | | | | | STEERING HOUSING (INCLUDES ITEMS 3 - 6)..... | 1 |
| 3 | * | | | | | | SLEEVE BEARING | 1 |
| 4 | * | | | | | | SLEEVE BEARING | 1 |
| 5 | * | | | | | | FLANGED BEARING | 1 |
| 6 | 10389-G3 | | | | | | GREASE FITTING, STRAIGHT | 1 |
| 7 | | | | | | | | |
| 8 | 00426-G6 | | | | | | BOLT, 3/8 - 16 X 3/4" LG | 2 |
| 9 | 18456-G1 | | | | | | GREASE FITTING, 90° | 1 |
| 10 | 70177-G01 | | | | | | RACK GUIDE COVER | 1 |
| 11 | 70225-G01 | | | | | | GASKET | 1 |
| 12 | 70178-G01 | | | | | | COMPRESSION SPRING | 1 |
| 13 | 70179-G01 | | | | | | RACK GUIDE | 1 |
| 14 | 11391-G1 | | | | | | CLAMP, 1 1/4" | 1 |
| 15 | 70041-G01 | | | | | | RACK COVER..... | 1 |
| 16 | 11391-G1 | | | | | | CLAMP, 1 1/4" | 1 |
| 17 | 70183-G01 | | | | | | BELLOWS | 1 |
| 18 | 11391-G5 | | | | | | CLAMP, 3/4" | 1 |
| 19 | | | | | | | | |
| 20 | 70299-G01 | | | | | | STEERING GEAR KIT (INCLUDES ITEMS 21 - 28)..... | 1 |
| 21 | 70297-G01 | | | | | | GEAR PINION..... | 1 |
| 22 | 15112-G1 | | | | | | BALL BEARING | 1 |
| 23 | 70190-G01 | | | | | | EXTERNAL RETAINING RING | 1 |
| 24 | 70298-G01 | | | | | | STEERING RACK | 1 |
| 25 | 70192-G01 | | | | | | RACK BALL END | 1 |
| 26 | 00532-G8 | | | | | | NUT, 7/16 - 20 | 1 |
| 27 | 18456-G1 | | | | | | GREASE FITTING, 90° | 1 |
| 28 | 70466-G01 | | | | | | RETAINER | 1 |
| 29 | | | | | | | | |
| 30 | 70184-G01 | | | | | | IDLER..... | 1 |

When ordering parts, please specify the model and serial number of the product.

* Indicates a component that is not available as an individual part.

G** Indicates consult Customer Service Department for additional information.

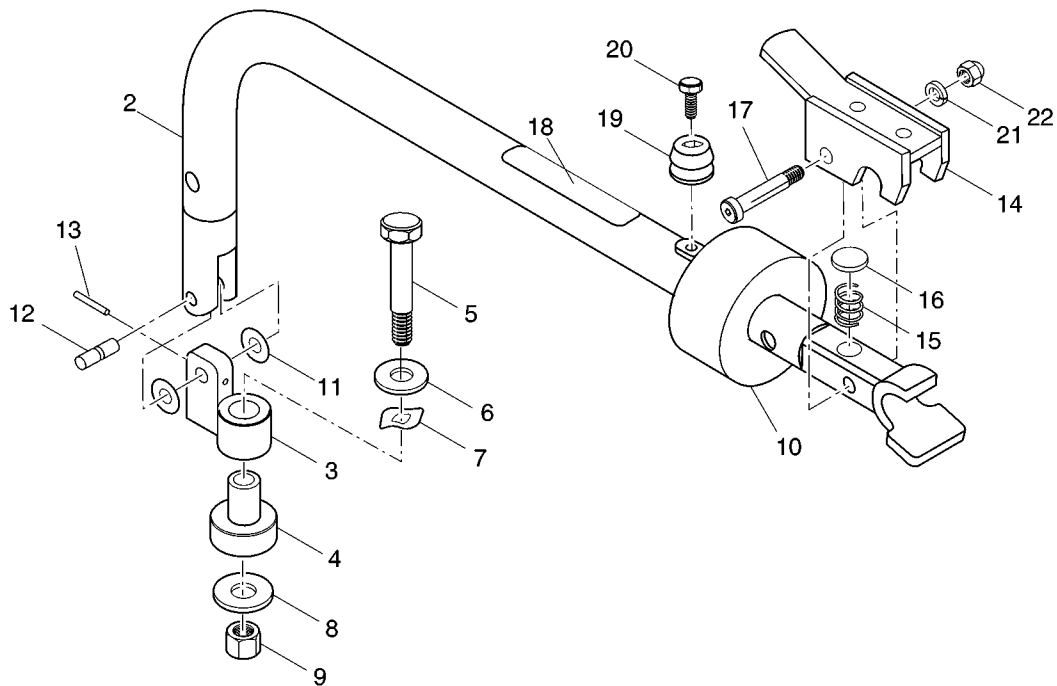
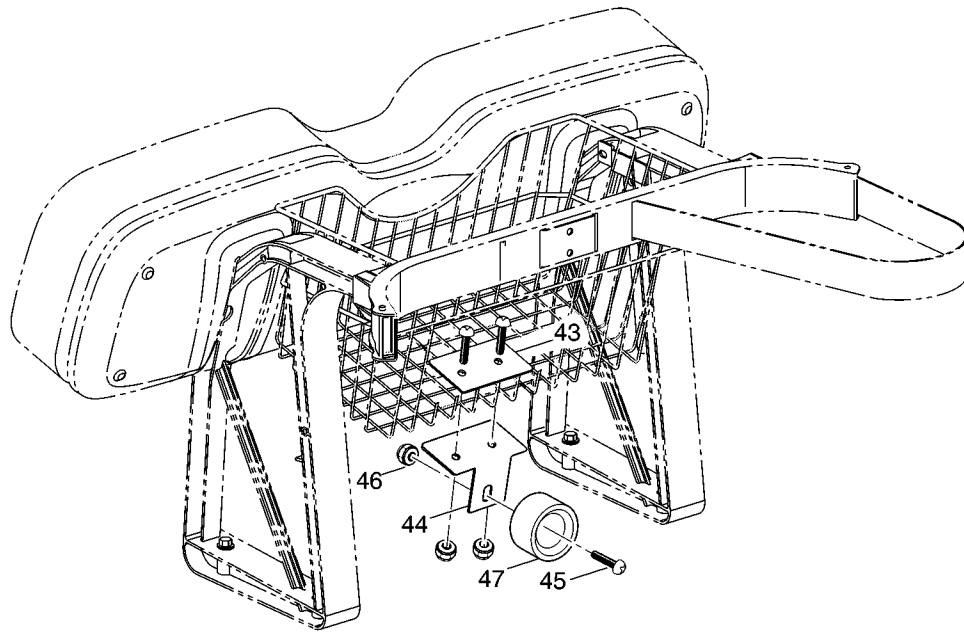
| ITEM | PART NO. | 1 | 2 | 3 | 4 | 5 | DESCRIPTION | QTY. |
|------|-----------|---|---|---|---|---|--|------|
| 31 | 70216-G01 | | | | | | THRUST WASHER, 1 1/2" | 1 |
| 32 | 70195-G01 | | | | | | THRUST WASHER, 7/8" | 1 |
| 33 | 00734-G6 | | | | | | LOCK NUT, 7/8 - 9..... | 1 |
| 34 | 00798-G8 | | | | | | COTTER PIN, 5/32" X 1 3/4" LG | 1 |
| 35 | | | | | | | | |
| 36 | 70360-G01 | | | | | | STEERING SHAFT/COLUMN KIT (INCLUDES ITEMS 37 - 48) | 1 |
| 37 | 14322-G3 | | | | | | STEERING SHAFT..... | 1 |
| 38 | 70558-G01 | | | | | | COUPLING..... | 1 |
| 39 | 00550-G1 | | | | | | LOCK NUT, 1/4 - 20..... | 2 |
| 40 | 70227-G01 | | | | | | BOLT, 1/4 - 20 X 7/8" LG | 2 |
| 41 | 70223-G01 | | | | | | GASKET | 1 |
| 42 | 01034-G01 | | | | | | BOLT, 3/8 - 16 X 1 1/2" LG WITH PATCHLOCK | 3 |
| 43 | 00878-G1 | | | | | | LOCK WASHER, 3/8"..... | 3 |
| 44 | 70466-G01 | | | | | | RETAINER..... | 1 |
| 45 | 28633-G01 | | | | | | STEERING COLUMN KIT (INCLUDES ITEMS 46 - 48) | 1 |
| 46 | * | | | | | | STEERING COLUMN | 1 |
| 47 | 28569-G01 | | | | | | STEERING COLUMN BUSHING (LATE PRODUCTION)..... | 1 |
| 48 | 01022-G01 | | | | | | SCREW, #6 - 20 X 5/16" LG | 1 |
| 49 | | | | | | | | |
| 50 | 17161-G1 | | | | | | BUSHING AND SEAL KIT (INCLUDES ITEMS 51, 52) (EARLY PRODUCTION) | 1 |
| 51 | * | | | | | | STEERING COLUMN BUSHING | 1 |
| 52 | * | | | | | | SHAFT SEAL..... | 1 |
| 53 | | | | | | | | |
| 54 | 00470-G4 | | | | | | BOLT, 7/16 - 20 X 2 1/2" LG | 1 |
| 55 | 00734-G3 | | | | | | LOCK NUT, 7/16 - 20 | 1 |
| 56 | 01033-G01 | | | | | | BOLT, 7/16 - 14 X 1 1/4" LG WITH PATCHLOCK | 2 |
| 57 | 00566-G2 | | | | | | LOCK WASHER, 7/16"..... | 3 |
| 58 | | | | | | | | |
| 59 | 71948-G01 | | | | | | STEERING WHEEL | 1 |

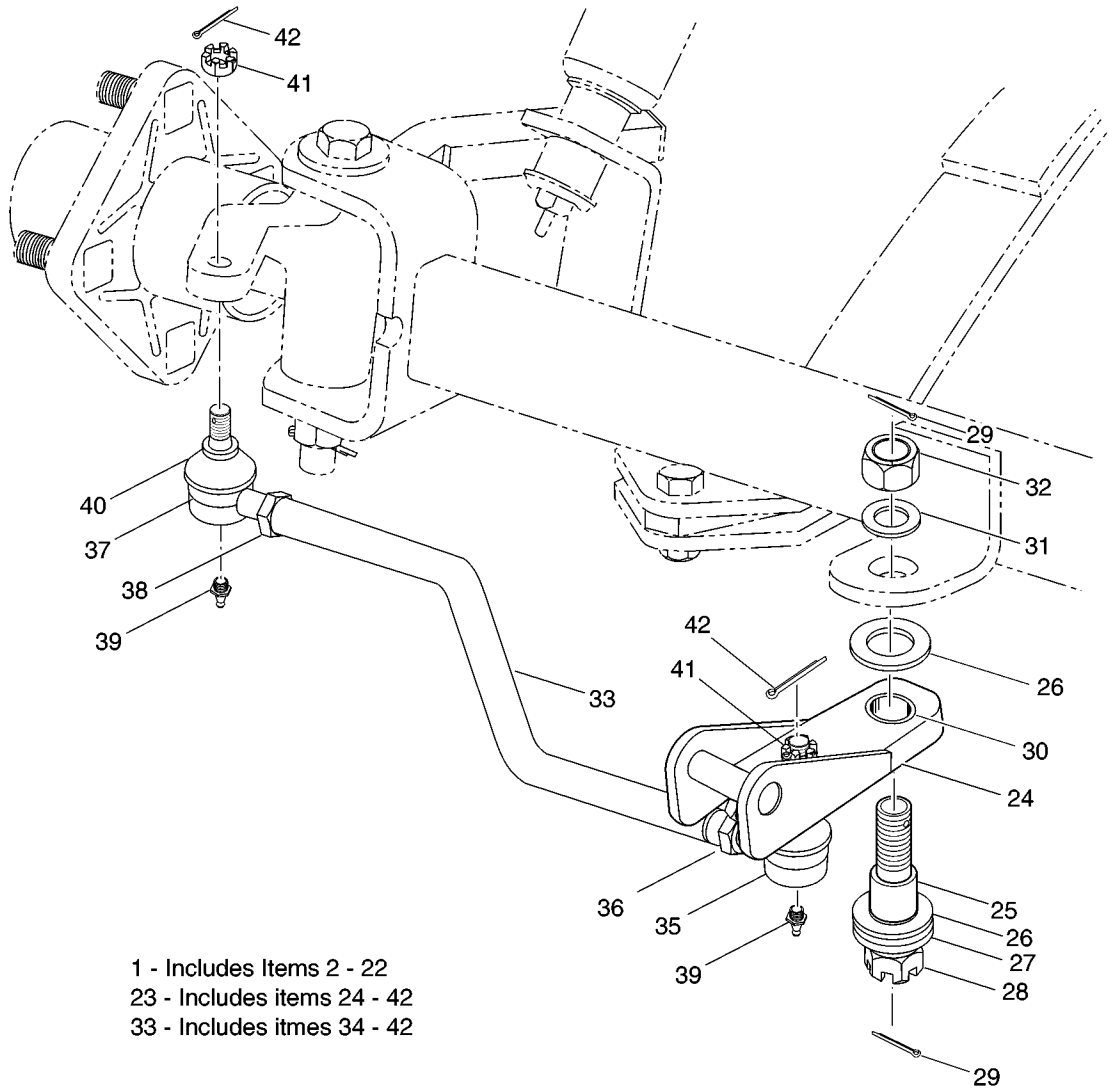
When ordering parts, please specify the model and serial number of the product.

* Indicates a component that is not available as an individual part.

G** Indicates consult Customer Service Department for additional information.

| ITEM | PART NO. | 1 | 2 | 3 | 4 | 5 | DESCRIPTION | QTY. |
|------|-----------|---|---|---|---|---|---|------|
| 60 | 71949-G01 | | | | | | HUB..... | 1 |
| 61 | 71950-G01 | | | | | | CLIPBOARD | 1 |
| 62 | 14390-G2 | | | | | | LOCK NUT, 5/8 - 18 | 1 |
| 63 | | | | | | | | |
| 64 | 70074-G01 | | | | | | TIE ROD ASSEMBLY (INCLUDES ITEMS 65 - 74)..... | 2 |
| 65 | 70583-G02 | | | | | | THREADED TUBE WITH FLAT | 1 |
| 66 | 27205-G01 | | | | | | TIE ROD END (LEFT HAND THREAD) (INCLUDES ITEMS 67 - 68)..... | 1 |
| 67 | 50641-G1 | | | | | | RUBBER BOOT | 1 |
| 68 | 50209-G2 | | | | | | SLOTTED NUT, 7/16 - 20..... | 1 |
| 69 | 18434-G3 | | | | | | JAM NUT, 9/16 - 18 (LEFT HAND THREAD) | 1 |
| 70 | 27205-G02 | | | | | | TIE ROD END (RIGHT HAND THREAD) (INCLUDES ITEMS 71 - 72)..... | 1 |
| 71 | 50641-G1 | | | | | | RUBBER BOOT | 1 |
| 72 | 50209-G2 | | | | | | SLOTTED NUT, 7/16 - 20..... | 1 |
| 73 | 18434-G4 | | | | | | JAM NUT, 9/16 - 18 (RIGHT HAND THREAD)..... | 1 |
| 74 | 10389-G3 | | | | | | GREASE FITTING, STRAIGHT | 2 |
| 75 | | | | | | | | |
| 76 | 10387-G2 | | | | | | COTTER PIN, 3/32" X 1" LG..... | 2 |
| 77 | | | | | | | | |
| 78 | 50209-G2 | | | | | | SLOTTED NUT, 7/16 - 20 | 1 |
| 79 | 10387-G2 | | | | | | COTTER PIN, 3/32" X 1" LG..... | 1 |





When ordering parts, please specify the model and serial number of the product.

* Indicates a component that is not available as an individual part.

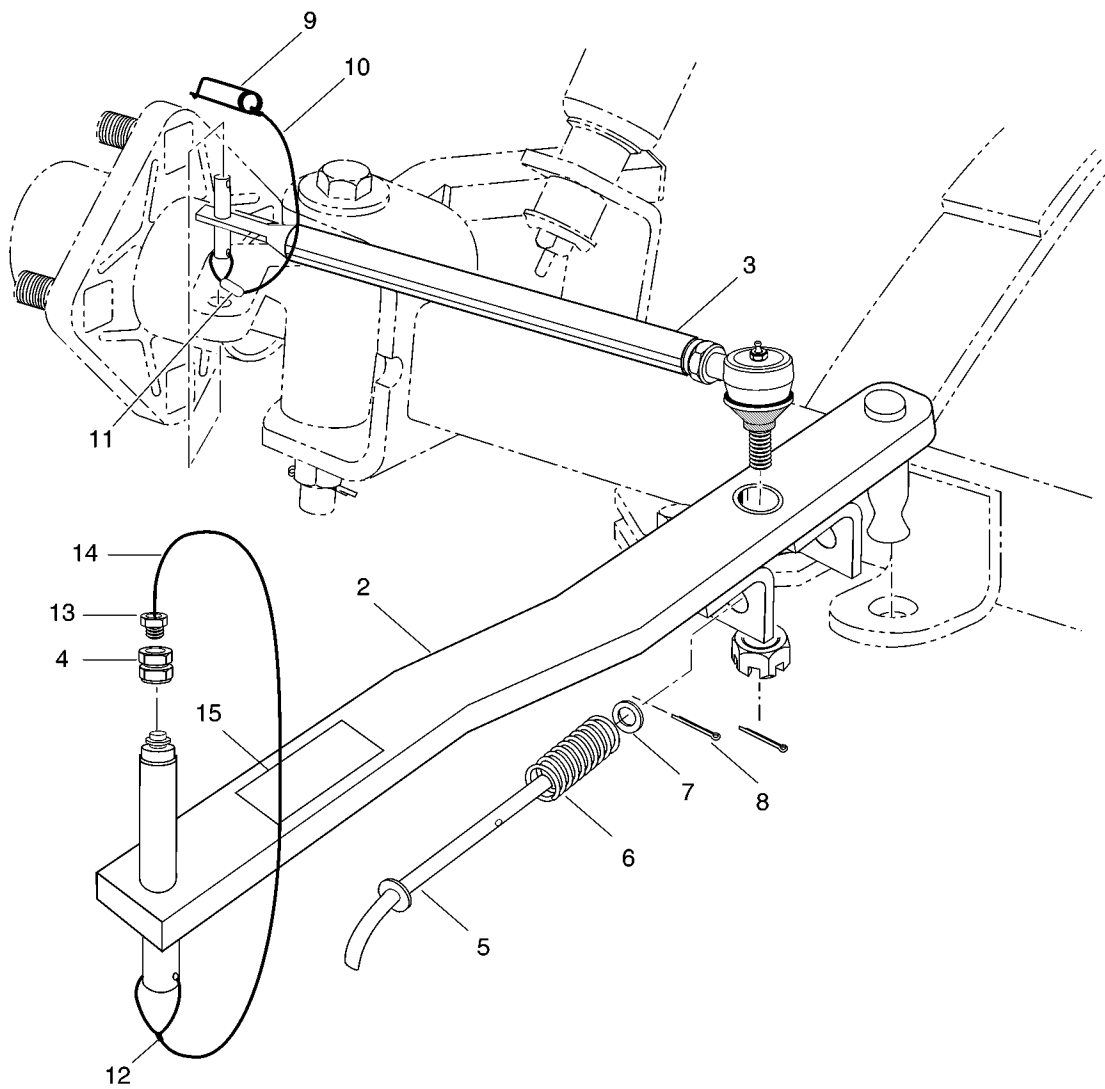
G** Indicates consult Customer Service Department for additional information.

| ITEM | PART NO. | 1 2 3 4 5 | DESCRIPTION | QTY. |
|------|-----------|-----------|---|------|
| 1 | 75304-G01 | | TOW BAR (TOWING VEHICLE) (INCLUDES ITEMS 2 - 22) | 1 |
| 2 | 75299-G01 | | TOW BAR | 1 |
| 3 | 75302-G01 | | UPPER PIVOT | 1 |
| 4 | 75291-G01 | | LOWER PIVOT | 1 |
| 5 | 00410-G8 | | BOLT, 1/2 - 20 X 3" LG..... | 1 |
| 6 | 00675-G3 | | WASHER, 1/2" | 1 |
| 7 | 75339-G01 | | SPRING WASHER | 1 |
| 8 | 00571-G5 | | WASHER, 1/2" | 1 |
| 9 | 11098-G8 | | LOCK NUT, 1/2 - 20 | 1 |
| 10 | 75362-G01 | | LATCH STOP | 1 |
| 11 | 75340-G01 | | DELRIN WASHER, 3/8" | 2 |
| 12 | 75360-G01 | | PIVOT PIN | 2 |
| 13 | 13571-G7 | | SPRING PIN | 2 |
| 14 | 75303-G01 | | LATCH | 1 |
| 15 | 20852-G2 | | COMPRESSION SPRING | 1 |
| 16 | 25661-G02 | | CUP WASHER..... | 1 |
| 17 | 13005-G4 | | SHOULDER BOLT, 3/8 X 1 5/8" LG..... | 1 |
| 18 | 75370-G01 | | LABEL (WARNING) | 1 |
| 19 | 75338-G03 | | MALE STOP | 1 |
| 20 | 12547-G4 | | SCREW, 6MM X 1 X 30 MM LG | 1 |
| 21 | 00565-G8 | | LOCK WASHER, 5/16" | 1 |
| 22 | 00520-G3 | | ACORN NUT, 5/16 - 18..... | 1 |
| 23 | 75308-G01 | | TOW BAR HITCH (TOWED VEHICLE) (INCLUDES ITEMS 24 - 42)..... | 1 |
| 24 | 75305-G01 | | HITCH..... | 1 |
| 25 | 75292-G01 | | PIVOT BOLT | 1 |
| 26 | 75309-G01 | | THRUST WASHER..... | 2 |
| 27 | 75342-G01 | | WASHER, 3/4" | 1 |
| 28 | 00518-G8 | | CASTELLATED NUT, 3/4 - 16 | 1 |
| 29 | 10387-G1 | | COTTER PIN, 1/8" X 1 1/2" LG | 2 |
| 30 | 75307-G01 | | BEARING..... | 1 |

When ordering parts, please specify the model and serial number of the product.
 * Indicates a component that is not available as an individual part.
 G** Indicates consult Customer Service Department for additional information.

| ITEM | PART NO. | 1 | 2 | 3 | 4 | 5 | DESCRIPTION | QTY. |
|------|-----------|---|---|---|---|---|--|------|
| 31 | 00566-G6 | | | | | | LOCK WASHER, 3/4" | 1 |
| 32 | 00533-G8 | | | | | | NUT, 3/4 - 16..... | 1 |
| 33 | 75306-G01 | | | | | | TIE ROD (INCLUDES ITEMS 34 - 42) | 1 |
| 34 | 75287-G01 | | | | | | STEERING LINK..... | 1 |
| 35 | 27205-G01 | | | | | | TIE ROD END (LEFT HAND THREADS)..... | 1 |
| 36 | * | | | | | | JAM NUT, 9/16 - 18 (LEFT HAND THREADS)..... | 1 |
| 37 | 27205-G02 | | | | | | TIE ROD END (RIGHT HAND THREADS) | 1 |
| 38 | * | | | | | | JAM NUT, 9/16 - 18 (RIGHT HAND THREADS)..... | 1 |
| 39 | 10389-G3 | | | | | | GREASE FITTING | 2 |
| 40 | 50641-G1 | | | | | | RUBBER BOOT | 2 |
| 41 | 50209-G2 | | | | | | CASTELLATED NUT, 7/16 - 20..... | 2 |
| 42 | 10387-G2 | | | | | | COTTER PIN, 3/32" X 1" LG..... | 2 |
| 43 | 75318-G01 | | | | | | MOUNTING PLATE | 1 |
| 44 | 75319-G01 | | | | | | STOP MOUNT PLATE | 1 |
| 45 | 16705-G1 | | | | | | SCREW, 1/4 - 20 X 1" LG | 3 |
| 46 | 00891-G2 | | | | | | LOCK NUT, 1/4 - 20 | 3 |
| 47 | 75338-G02 | | | | | | FEMALE STOP | 1 |

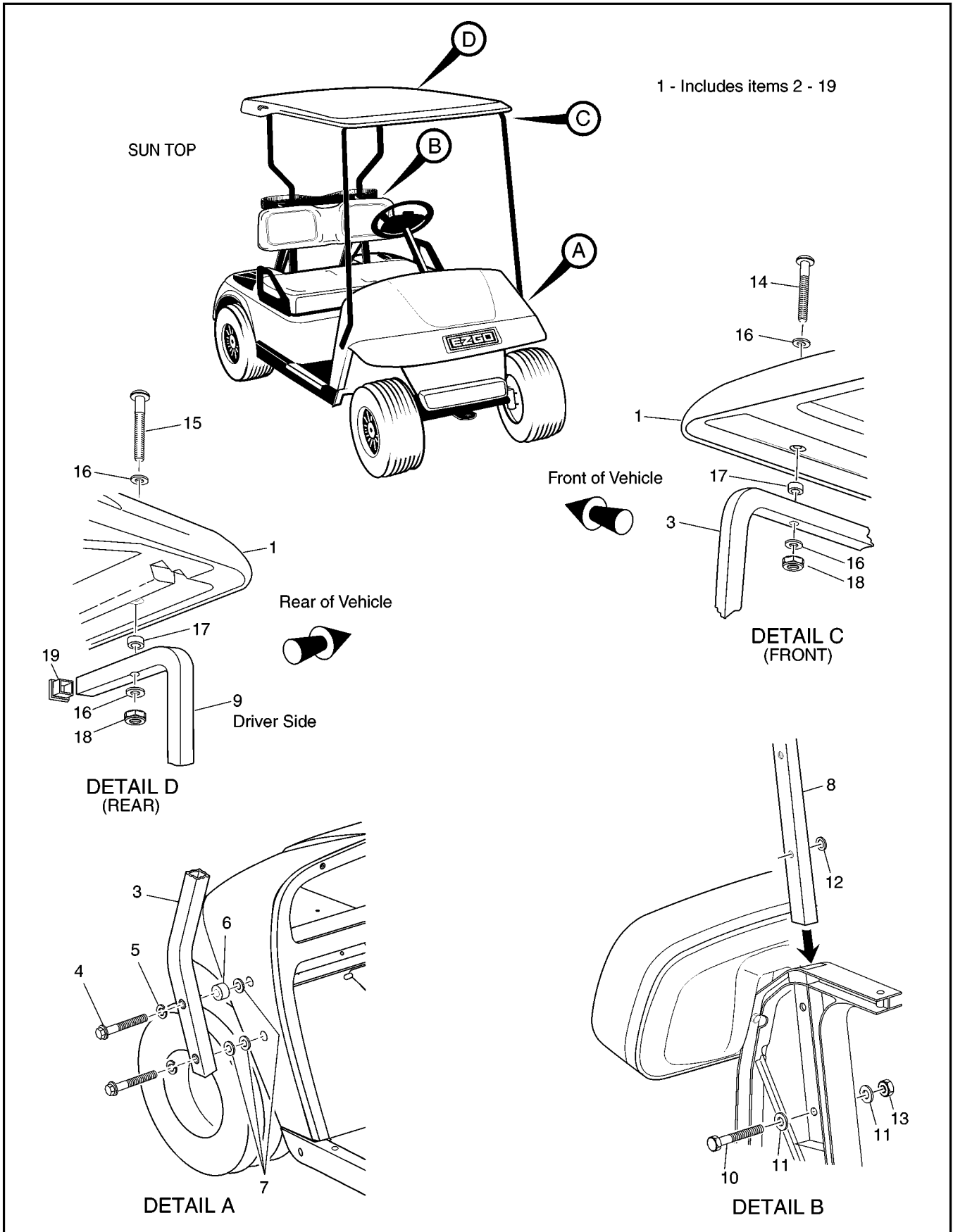




When ordering parts, please specify the model and serial number of the product.
 * Indicates a component that is not available as an individual part.
 G** Indicates consult Customer Service Department for additional information.

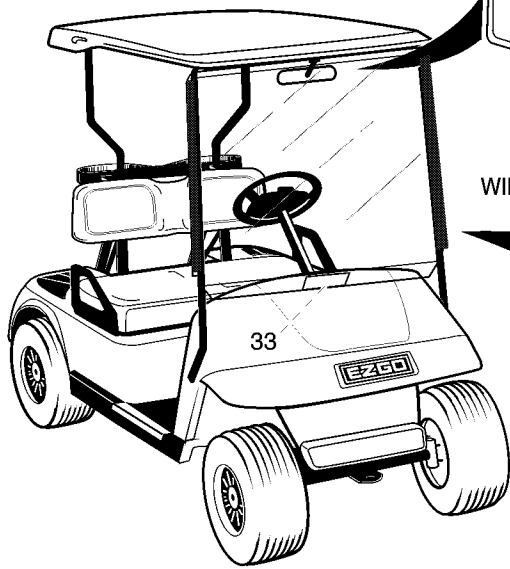
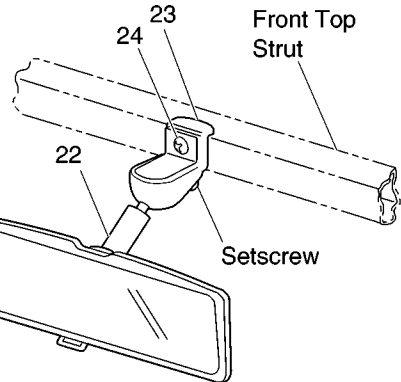
| ITEM | PART NO. | 1 | 2 | 3 | 4 | 5 | DESCRIPTION | QTY. |
|------|-----------|---|---|---|---|---|--|------|
| 1 | 75033-G01 | | | | | | CASUAL TOW BAR (INCLUDES ITEMS 2 - 15) | 1 |
| 2 | * | | | | | | TOW BAR | 1 |
| 3 | 75034-G01 | | | | | | TIE ROD (INCLUDES NUT AND COTTER PIN) | 1 |
| 4 | 75060-G01 | | | | | | COUPLING | 1 |
| 5 | * | | | | | | LOCK PIN | 1 |
| 6 | 75065-G01 | | | | | | COMPRESSION SPRING | 1 |
| 7 | 00922-G2 | | | | | | WASHER, 3/8" | 1 |
| 8 | 10387-G2 | | | | | | COTTER PIN, 3/32" X 1" LG | 1 |
| 9 | 75068-G01 | | | | | | SAFETY PIN | 1 |
| 10 | 14869-G5 | | | | | | WIRE ROPE | 1 |
| 11 | 16783-G1 | | | | | | FERRULE | 3 |
| 12 | 75067-G01 | | | | | | FERRULE | 1 |
| 13 | 75035-G01 | | | | | | HEX HEAD PLUG | 1 |
| 14 | 14869-G3 | | | | | | WIRE ROPE | 1 |
| 15 | * | | | | | | LABEL (WARNING) | 1 |



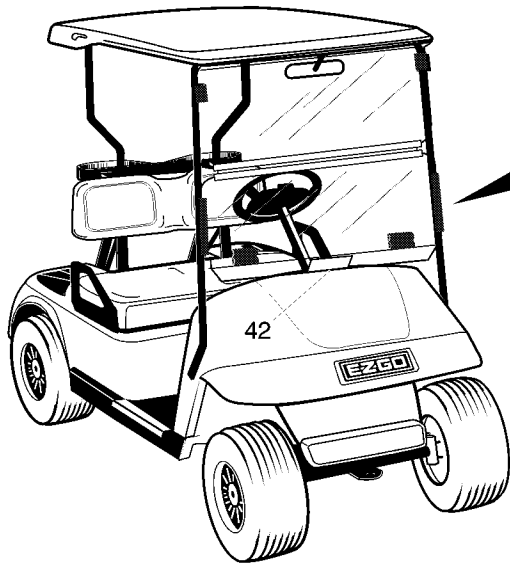
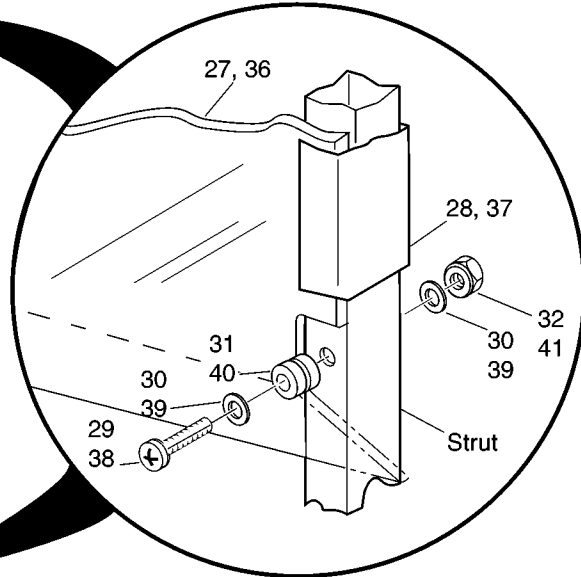


REAR VIEW MIRROR

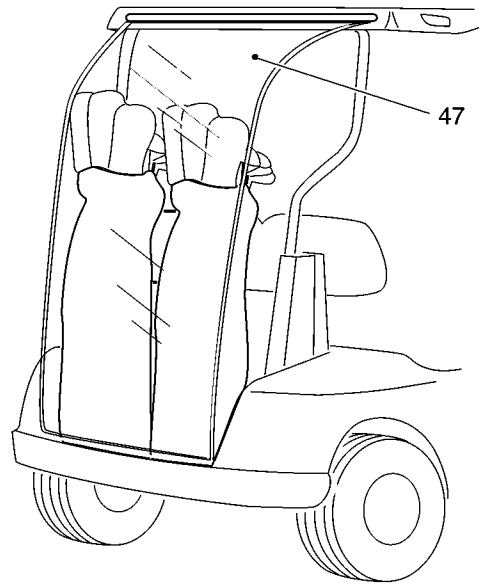
21 - Includes Items 22 - 24



WINDSHIELD

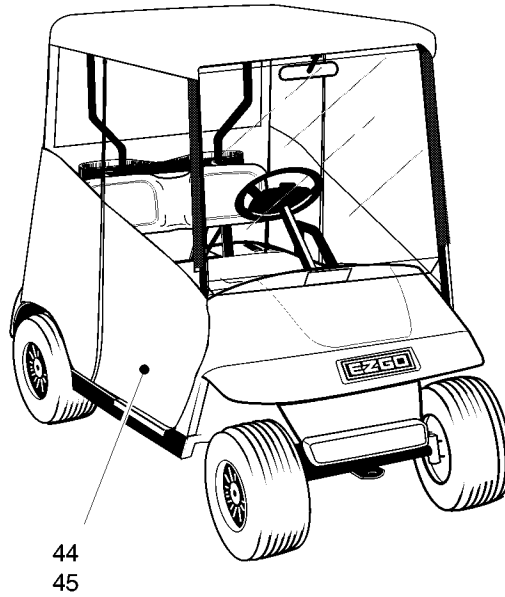


SPLIT WINDSHIELD



BAG AND RAIN CURTAIN

WEATHER ENCLOSURE



44
45

Replacement parts for the windshield may be obtained from Eagle Parts, Inc. 1811 Wilkinson Rd. Augusta, GA 30904. Telephone (706) 729-9911 or FAX (706) 729-0055

* Indicates a component that is not available as an individual part.

G** Indicates consult Customer Service Department for additional information.

| ITEM | PART NO. | 1 | 2 | 3 | 4 | 5 | DESCRIPTION | QTY. |
|------|-----------|--|---|---|---|---|-------------|------|
| 1 | 75040-G** | SUN TOP KIT (GOLF CAR) (INCLUDES ITEMS 2 - 19) | | | | | 1 | |
| 2 | 27069-G** | SUN TOP | | | | | 1 | |
| 3 | 75045-G01 | FRONT STRUT | | | | | 1 | |
| 4 | 01035-G01 | BOLT, 5/16 - 18 X 2 1/4" LG | | | | | 4 | |
| 5 | 00905-G8 | LOCK WASHER, 5/16" | | | | | 4 | |
| 6 | 75048-G01 | SPACER, 1/2" | | | | | 2 | |
| 7 | 00570-G2 | WASHER, 5/16" | | | | | 6 | |
| 8 | 75046-G01 | REAR STRUT | | | | | 2 | |
| 9 | | | | | | | | |
| 10 | 00439-G6 | BOLT, 5/16 - 18 X 1 3/4" LG | | | | | 4 | |
| 11 | 00571-G2 | WASHER, 5/16" | | | | | 8 | |
| 12 | 17255-G1 | TEFLON WASHER, 5/16" | | | | | 4 | |
| 13 | 11098-G6 | LOCK NUT, 5/16 - 18 | | | | | 4 | |
| 14 | 00753-G5 | SCREW, 1/4 - 20 X 2" LG (STAINLESS STEEL) | | | | | 2 | |
| 15 | 00753-G6 | SCREW, 1/4 - 20 X 2 1/4" LG (STAINLESS STEEL) | | | | | 2 | |
| 16 | 00559-G7 | WASHER, 1/4" | | | | | 8 | |
| 17 | 75051-G01 | SPACER | | | | | 4 | |
| 18 | 00891-G2 | LOCK NUT, 1/4 - 20 | | | | | 4 | |
| 19 | 19853-G1 | END CAP, 1" | | | | | 2 | |
| 20 | | | | | | | | |
| 21 | 19528-G2 | REAR VIEW MIRROR KIT (INCLUDES ITEMS 22 - 24) | | | | | 1 | |
| 22 | 19496-G1 | REAR VIEW MIRROR | | | | | 1 | |
| 23 | 19502-G2 | SUPPORT BRACKET | | | | | 1 | |
| 24 | 19527-G1 | SCREW, #8 - 32 X 5/8" LG (STAINLESS STEEL) | | | | | 1 | |
| 25 | | | | | | | | |
| 26 | 75524-G01 | WINDSHIELD KIT (GOLF CAR) (INCLUDES ITEMS 27 - 33) | | | | | 1 | |
| 27 | * | WINDSHIELD | | | | | 1 | |
| 28 | EGWHC12 | SASH, 26" LG | | | | | 2 | |
| 29 | EGWHS12 | SCREW, 1/4 - 20 X 1 3/4" LG (STAINLESS STEEL) | | | | | 2 | |
| 30 | EGWHW12 | WASHER, 1/4" (STAINLESS STEEL) | | | | | 4 | |

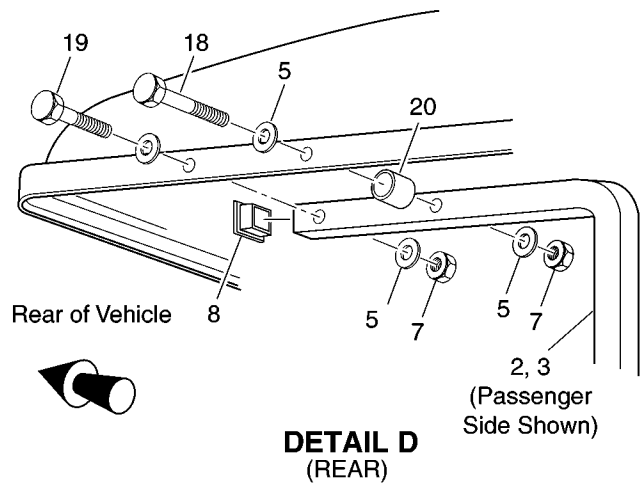
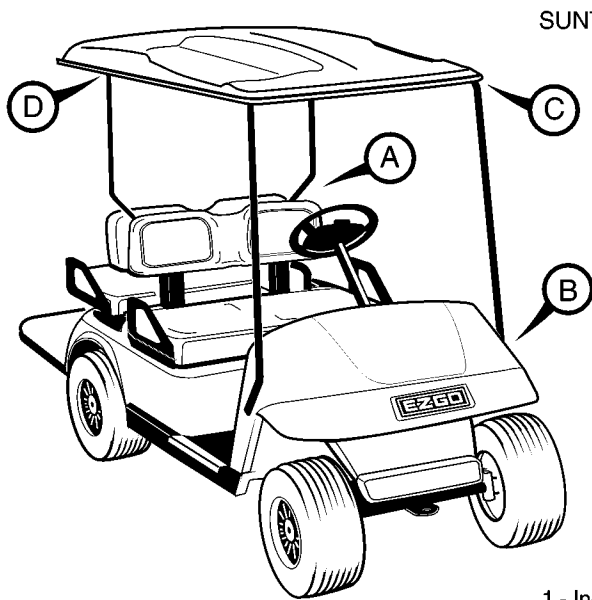


Replacement parts for the windshield may be obtained from Eagle Parts, Inc. 1811 Wilkinson Rd. Augusta, GA 30904. Telephone (706) 729-9911 or FAX (706) 729-0055

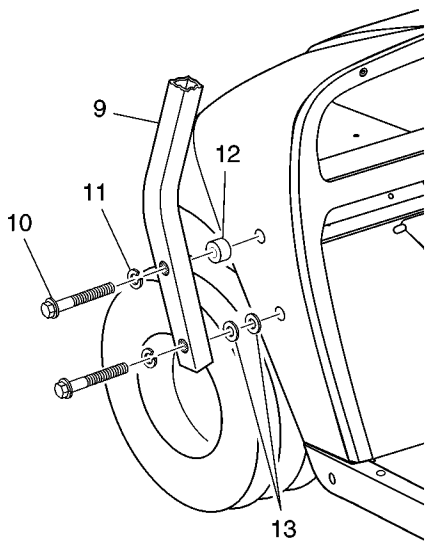
* Indicates a component that is not available as an individual part.

G** Indicates consult Customer Service Department for additional information.

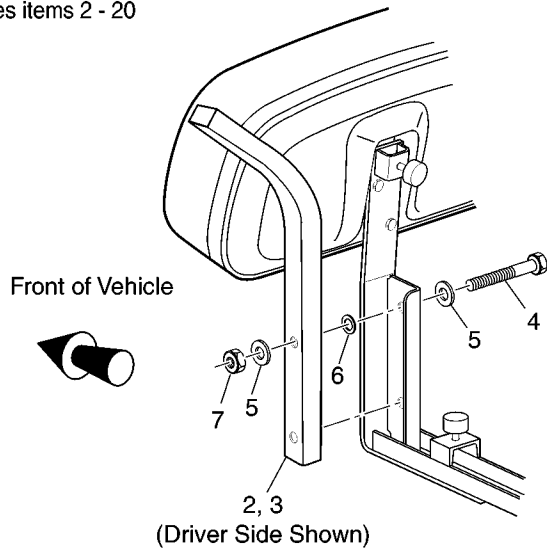
| ITEM | PART NO. | 1 | 2 | 3 | 4 | 5 | DESCRIPTION | QTY. |
|------|-----------|---|---|---|---|---|---|------|
| 31 | EGWHG13 | | | | | | RUBBER GROMMET | 2 |
| 32 | EGWHN12 | | | | | | LOCK NUT, 1/4 - 20 (STAINLESS STEEL)..... | 2 |
| 33 | EGWHL-14 | | | | | | LABEL (SAFETY) | 1 |
| 34 | | | | | | | | |
| 35 | 75525-G01 | | | | | | SPLIT WINDSHIELD KIT (GOLF CAR) (INCLUDES ITEMS 36 - 42)..... | 1 |
| 36 | * | | | | | | WINDSHIELD | 1 |
| 37 | EGWHC10 | | | | | | SASH, 12" LG | 2 |
| 38 | EGWHS12 | | | | | | SCREW, 1/4 - 20 X 1 3/4" LG (STAINLESS STEEL)..... | 2 |
| 39 | EGWHW12 | | | | | | WASHER, 1/4" (STAINLESS STEEL)..... | 4 |
| 40 | EGWHG13 | | | | | | RUBBER GROMMET | 2 |
| 41 | EGWHN12 | | | | | | LOCK NUT, 1/4 - 20 (STAINLESS STEEL)..... | 2 |
| 42 | EGWHL-14 | | | | | | LABEL (SAFETY) | 1 |
| 43 | | | | | | | | |
| 44 | 75078-G01 | | | | | | WEATHER ENCLOSURE (3 SIDED) RECOMMENDED FOR VEHICLES WITH WINDSHIELDS | 1 |
| 45 | 75079-G01 | | | | | | WEATHER ENCLOSURE (4 SIDED) RECOMMENDED FOR VEHICLES WITHOUT WINDSHIELDS | 1 |
| 46 | | | | | | | | |
| 47 | 75191-G01 | | | | | | BAG COVER AND RAIN CURTAIN KIT..... | 1 |



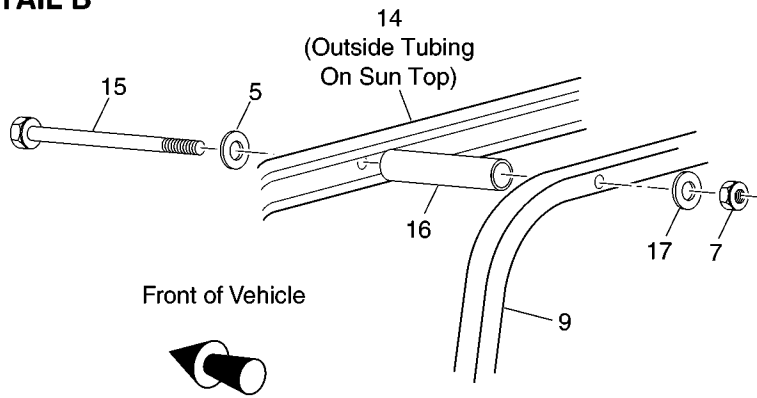
1 - Includes items 2 - 20



DETAIL B



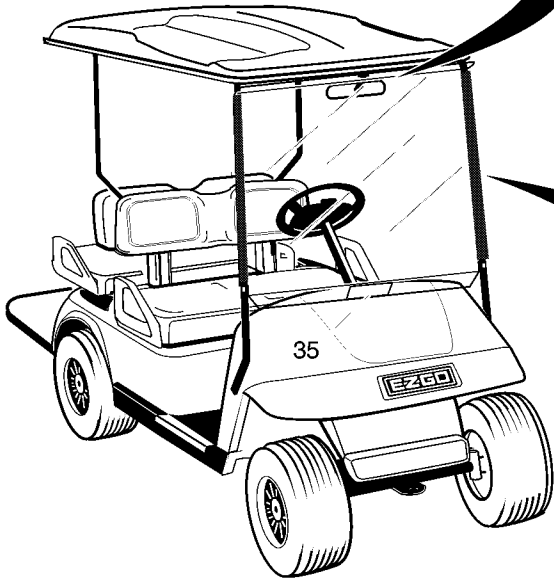
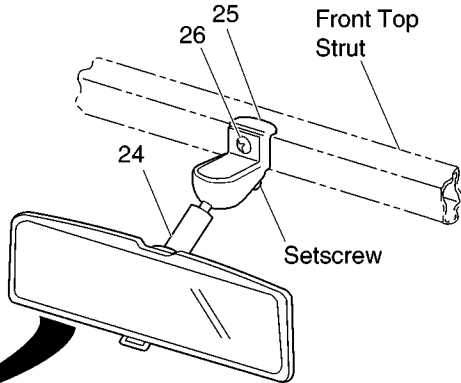
DETAIL A



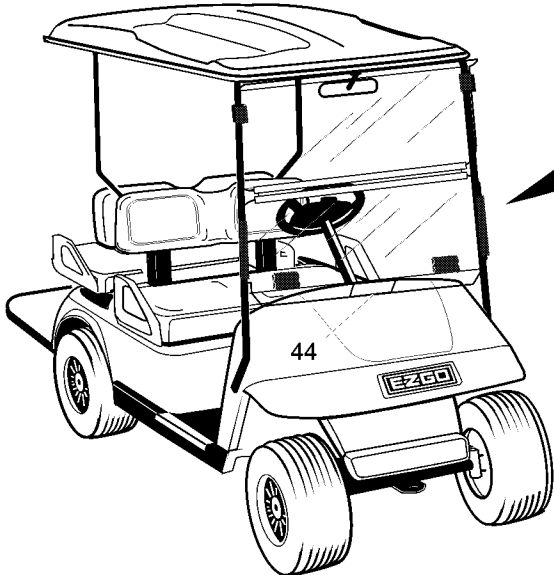
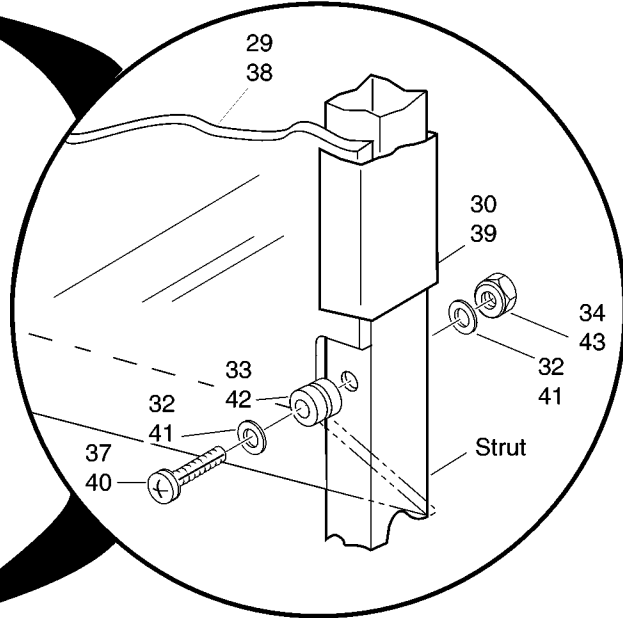
DETAIL C (FRONT)

REAR VIEW MIRROR

23 - Includes Items 24 - 26



WINDSHIELD



SPLIT WINDSHIELD

23 - Includes Items 24 - 26

28 - Includes Items 29 - 35

37 - Includes Items 38 - 44

Replacement parts for the windshield may be obtained from Eagle Parts, Inc. 1811 Wilkinson Rd. Augusta, GA 30904. Telephone (706) 729-9911 or FAX (706) 729-0055

* Indicates a component that is not available as an individual part.

G** Indicates consult Customer Service Department for additional information.

| ITEM | PART NO. | 1 2 3 4 5 | DESCRIPTION | QTY. |
|------|-----------|-----------|--|------|
| 1 | 75123-G01 | | SUN TOP (SHUTTLE 2+2) (INCLUDES ITEMS 2 - 20)..... | 1 |
| 2 | 75074-G01 | | REAR STRUT (DRIVER SIDE)..... | 1 |
| 3 | 75074-G02 | | REAR STRUT (PASSENGER SIDE)..... | 1 |
| 4 | 00665-G5 | | BOLT, 3/8 - 16 X 1 3/4" LG..... | 4 |
| 5 | 00679-G1 | | WASHER, 3/8 | 18 |
| 6 | 00771-G5 | | WASHER, 3/8 | 4 |
| 7 | 00891-G5 | | LOCK NUT, 3/8 - 16..... | 10 |
| 8 | 19853-G1 | | END CAP, 1" | 2 |
| 9 | 75125-G01 | | FRONT STRUT..... | 1 |
| 10 | 01035-G01 | | BOLT, 5/16 - 18 X 2 1/4" LG..... | 4 |
| 11 | 00905-G8 | | LOCK WASHER, 5/16" | 4 |
| 12 | 75048-G01 | | SPACER, 1/2" | 2 |
| 13 | 00879-G1 | | WASHER, 3/8" | 4 |
| 14 | 27604-G01 | | SUN TOP | 1 |
| 15 | 00674-G8 | | BOLT, 3/8 - 16 X 5" LG..... | 2 |
| 16 | 18716-G1 | | SPACER | 2 |
| 17 | 00653-G1 | | WASHER, 3/8" (STAINLESS STEEL)..... | 2 |
| 18 | 00665-G3 | | BOLT, 3/8 - 16 X 2 1/2" LG (STAINLESS STEEL) | 2 |
| 19 | 00665-G6 | | BOLT, 3/8 - 16 X 2" LG..... | 2 |
| 20 | 24647-G1 | | SPACER, 1/4" | 2 |
| 21 | | | | |
| 22 | | | | |
| 23 | 19528-G2 | | REAR VIEW MIRROR KIT (INCLUDES ITEMS 24 - 26) | 1 |
| 24 | 19496-G1 | | REAR VIEW MIRROR | 1 |
| 25 | 19502-G2 | | SUPPORT BRACKET..... | 1 |
| 26 | 19527-G1 | | SCREW, #8 - 32 X 5/8" LG (STAINLESS STEEL)..... | 1 |
| 27 | | | | |
| 28 | 75524-G02 | | WINDSHIELD KIT (SHUTTLE 2+2) (INCLUDES ITEMS 29 - 35)..... | 1 |
| 29 | * | | WINDSHIELD | 1 |
| 30 | EGWHC12 | | SASH, 26" LG | 2 |

Replacement parts for the windshield may be obtained from Eagle Parts, Inc. 1811 Wilkinson Rd. Augusta, GA 30904. Telephone (706) 729-9911 or FAX (706) 729-0055

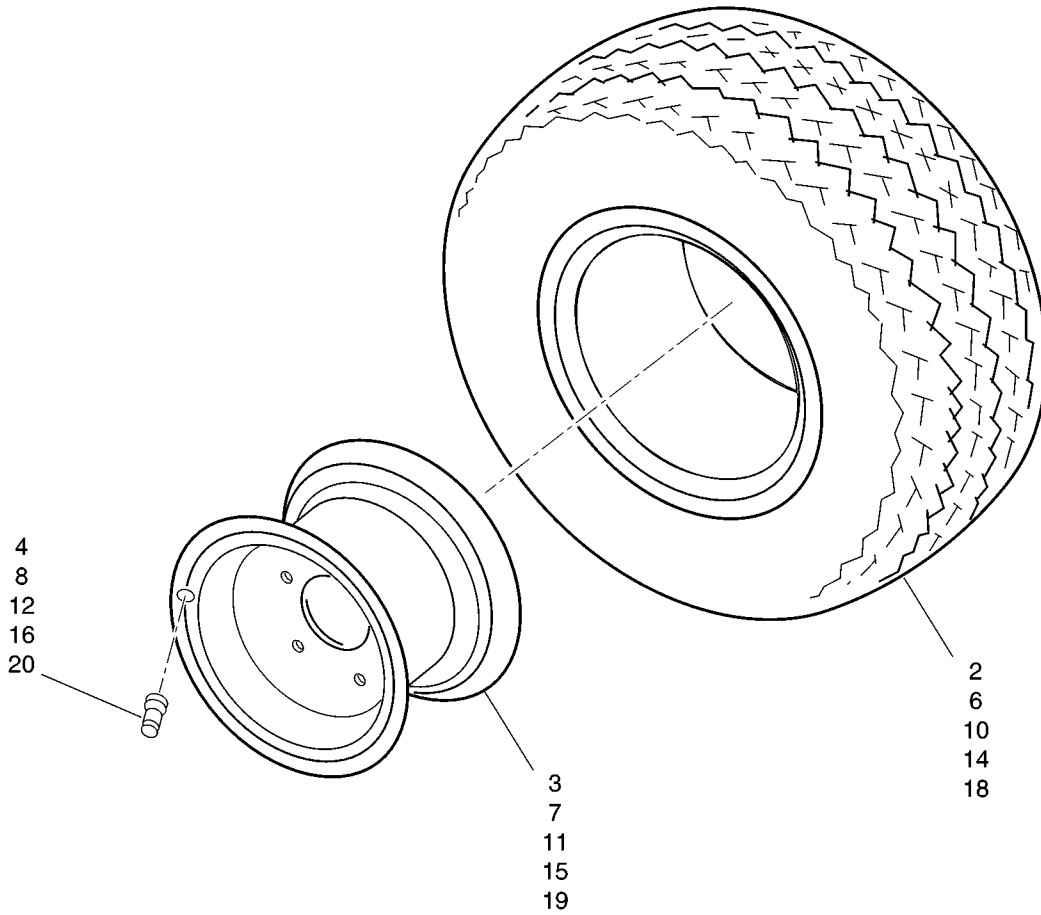
* Indicates a component that is not available as an individual part.

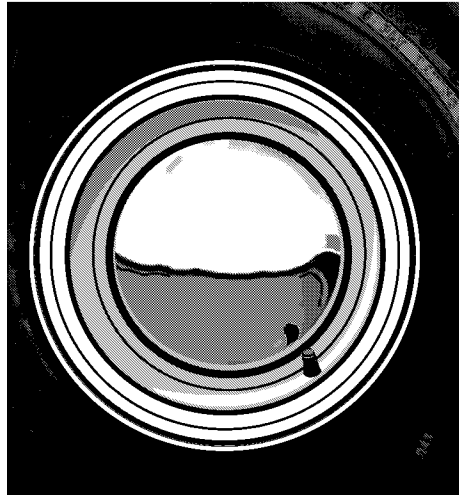
G** Indicates consult Customer Service Department for additional information.

| ITEM | PART NO. | 1 | 2 | 3 | 4 | 5 | DESCRIPTION | QTY. |
|------|-----------|---|---|---|---|---|--|------|
| 31 | EGWHS12 | | | | | | SCREW, 1/4 - 20 X 1 3/4" LG (STAINLESS STEEL)..... | 2 |
| 32 | EGWHW12 | | | | | | WASHER, 1/4" (STAINLESS STEEL) | 4 |
| 33 | EGWHG13 | | | | | | RUBBER GROMMET | 2 |
| 34 | EGWHN12 | | | | | | LOCK NUT, 1/4 - 20 (STAINLESS STEEL) | 2 |
| 35 | EGWHL-14 | | | | | | LABEL (SAFETY) | 1 |
| 36 | | | | | | | | |
| 37 | 75525-G02 | | | | | | SPLIT WINDSHIELD KIT (SHUTTLE 2+2) (INCLUDES ITEMS 38 - 44) | 1 |
| 38 | * | | | | | | WINDSHIELD | 1 |
| 39 | EGWHC10 | | | | | | SASH, 12" LG..... | 2 |
| 40 | EGWHS12 | | | | | | SCREW, 1/4 - 20 X 1 3/4" LG (STAINLESS STEEL)..... | 2 |
| 41 | EGWHW12 | | | | | | WASHER, 1/4" (STAINLESS STEEL) | 4 |
| 42 | EGWHG13 | | | | | | RUBBER GROMMET | 2 |
| 43 | EGWHN12 | | | | | | LOCK NUT, 1/4 - 20 (STAINLESS STEEL) | 2 |
| 44 | EGWHL-14 | | | | | | LABEL (SAFETY) | 1 |



- 1 - Includes Items 2 - 4
- 5 - Includes Items 6 - 8
- 9 - Includes Items 10 - 12
- 13 - Includes Items 14 - 16
- 17 - Includes Items 18 - 20

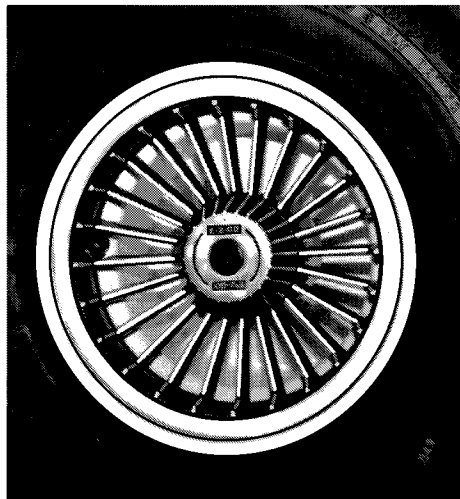




6" CHROME HUBCAP
23



8" CHROME HUBCAP
22



GOLD / SILVER SPOKE HUBCAP
24
25

WHEELS AND TIRES

Electric Vehicle

When ordering parts, please specify the model and serial number of the product.
 * Indicates a component that is not available as an individual part.
 G** Indicates consult Customer Service Department for additional information.

| ITEM | PART NO. | 1 2 3 4 5 | DESCRIPTION | QTY. |
|------|-----------|-----------|---|------|
| 1 | 27772-G09 | | TIRE AND WHEEL ASSEMBLY (LINKS 1 18 X 8.5 - 8) (INCLUDES ITEMS 2 - 4)..... | AR |
| 2 | 27772-G10 | | LINKS 1 CARLISLE TIRE, 18 X 8.5 - 8 | AR |
| 3 | 15169-G1 | | WHEEL RIM (4 LUG)..... | AR |
| 4 | 11657-G1 | | VALVE STEM..... | AR |
| 5 | 27772-G03 | | WHEEL AND TIRE ASSEMBLY (TURF SAVER 18 X 8.5 - 8) (INCLUDES ITEMS 6 - 8)..... | AR |
| 6 | 27772-G07 | | CARLISLE TIRE (TURF SAVER 18 X 8.5 - 8)..... | AR |
| 7 | 15169-G1 | | WHEEL RIM (4 LUG)..... | AR |
| 8 | 11657-G1 | | VALVE STEM..... | AR |
| 9 | 27775-G01 | | WHEEL AND TIRE ASSEMBLY (USA TRAIL 6-PLY 18.5 X 8.5 - 8) (INCLUDES ITEMS 10 - 12)..... | AR |
| 10 | 27775-G02 | | CARLISLE TIRE (USA TRAIL, 6 PLY 18 X 8.5 - 8) | AR |
| 11 | 15169-G1 | | WHEEL RIM (4 LUG)..... | AR |
| 12 | 11657-G1 | | VALVE STEM..... | AR |
| 13 | 27772-G02 | | WHEEL AND TIRE ASSEMBLY (TURF GLIDE 18 X 8.5 - 8) (INCLUDES ITEMS 14 - 16)..... | AR |
| 14 | 27772-G06 | | CARLISLE TIRE (TURF GLIDE 18 X 8.5 - 8)..... | AR |
| 15 | 15169-G1 | | WHEEL RIM (4 LUG)..... | AR |
| 16 | 11657-G1 | | VALVE STEM..... | AR |
| 17 | 27772-G04 | | WHEEL AND TIRE ASSEMBLY (FAIRWAY 18 X 8.5 - 8) (INCLUDES ITEMS 18 - 20)..... | AR |
| 18 | 27772-G08 | | CARLISLE TIRE (FAIRWAY 18 X 8.5 - 8)..... | AR |
| 19 | 15169-G1 | | WHEEL RIM (4 LUG)..... | AR |
| 20 | 11657-G1 | | VALVE STEM..... | AR |
| 21 | | | | |
| 22 | 14913-G** | | 8" CHROME HUBCAP (OPTIONAL)..... | AR |
| 23 | 16042-G** | | 6" CHROME HUBCAP (OPTIONAL)..... | AR |
| 24 | 19241-G** | | GOLD SPOKE HUBCAP (OPTIONAL) | AR |
| 25 | 19241-G** | | SILVER SPOKE HUBCAP (OPTIONAL)..... | AR |



SPECIALTY PRODUCTS

SPECIALTY PRODUCTS

SPECIALTY PRODUCTS

SPECIAL TOOLS

Part No.

| | |
|---|-----------|
| BATTERY SET DISCHARGER, 36 VOLT, 75 AMP | 28251-G01 |
| BATTERY MAINTANANCE KIT | 25587-G01 |
| CURRENT INDICATOR..... | 16489-G1 |
| DIGITAL MULTI-METER..... | 27481-G01 |
| CRIMPING TOOL | 27765-G01 |
| SLIDE HAMMER (AXLE/HUB REMOVAL) | 15947-G1 |
| SLIDE HAMMER (AXLE REMOVAL ONLY)..... | 18753-G1 |

PAINT

| | |
|--|-----------|
| HUNTER GREEN - TOUCH-UP PEN..... | 28432-G02 |
| CHAMPAGNE BEIGE - TOUCH-UP PEN..... | 28432-G01 |
| HUNTER GREEN - 12 OZ. AEROSOL..... | 28140-G09 |
| CHAMPAGNE BEIGE - 12 OZ. AEROSOL | 28140-G15 |

PERFORMANCE PRODUCTS

| | |
|--|--|
| FORMULA 40 VINYL-COAT® - WHITE | 28166-G01 |
| PLEXUS® CLEANER, 7 OZ (FOR WINDSHIELDS)..... | 28433-G01 |
| PLEXUS® CLEANER, 13 OZ (FOR WINDSHIELDS)..... | 28433-G02 |
| BATTERY PROTECTOR, 14 OZ AEROSOL..... | 75500-G01 |
| CARBURETOR & CHOKE CLEANER, 15 OZ AEROSOL | 75501-G01 |
| WHITE LITHIUM GREASE, 14 OZ AEROSOL..... | 75502-G01 |
| PENETRANT/LUBRICANT, 15 OZ AEROSOL..... | 75503-G01 |
| MULTI-PURPOSE CLEANER & DEGREASER, 14 OZ AEROSOL | 75504-G01 |
| MULTI-PURPOSE HAND CLEANER, 32 OZ LIQUID..... | 75505-G01 |
| BATTERY CLEANER, 32 OZ WITH TRIGGER SPRAYER | 75506-G01 |
| BIODEGRADEABLE CLEANER, 32 OZ WITH TRIGGER SPRAYER | 75507-G01 |
| MULTI-PURPOSE VALUE PACK..... | 75508-G01 |
| • BATTERY PROTECTOR, 4 OZ AEROSOL | • WHITE LITHIUM GREASE, 4 OZ AEROSOL |
| • PENETRANT/LUBRICANT, 4 OZ AEROSOL | • CARBURETOR & CHOKE CLEANER, 4 OZ AEROSOL |

ACCESSORIES

ACCESSORIES LISTING

ACCESSORIES

ACCESSORIES LISTING

KIT NO.

| | | |
|---|-----------------|---|
| SUN TOP KIT, GOLF CAR | 75040-G** | See Weather Protection (Golf Car) |
| SUN TOP KIT, SHUTTLE 2+2 | 75123-G01 | See Weather Protection, (Shuttle 2+2) |
| WINDSHIELD KIT, GOLF CAR..... | 75524-G01 | See Weather Protection (Golf Car) |
| WINDSHIELD KIT, SHUTTLE 2+2..... | 75524-G02 | See Weather Protection (Shuttle 2+2) |
| WINDSHIELD KIT, SPLIT, GOLF CAR | 75525-G01 | See Weather Protection (Golf Car) |
| WINDSHIELD KIT, SPLIT, SHUTTLE 2+2 | 75525-G02 | See Weather Protection (Shuttle 2+2) |
| SAND RAKE | 14735-G1 | See Body |
| TOW BAR KIT (PERMANENT)..... | 75310-G01 | See Tow Bar (Permanent) |
| WEATHER ENCLOSURE (3 SIDED) | 75078-G01 | See Weather Protection (Golf Car) |
| WEATHER ENCLOSURE (3 SIDED) | 75492-G01 | See Weather Protection (Shuttle 2+2) |
| WEATHER ENCLOSURE (4 SIDED) | 75079-G01 | See Weather Protection (Golf Car) |
| REAR VIEW MIRROR (REQUIRES SUN TOP) | 19528-G2 | See Weather Protection (Golf Car) |
| MESSAGE HOLDER KIT (REQUIRES SUN TOP) | 75094-G01 | See Body |
| HOUR METER..... | 75113-G02 | See Electrical |
| COOLER JUG / BRACKET KIT | 75495-G01 | See Body |
| BAG COVER / RAIN CURTAIN KIT | 75191-G01 | See Weather Protection (Golf Car) |
| ASHTRAY KIT..... | 75109-G02 | See Body |
| TURN SIGNAL KIT | 75107-G02 | See Electrical |
| SAND BOTTLE | 75009-G01 | See Body |
| 8" CHROME HUBCAP | 14913-G* | See Wheels and Tires |
| 6" CHROME HUBCAP | 16042-G* | See Wheels and Tires |
| GOLD SPOKE HUBCAP | 19241-G* | See Wheels and Tires |
| SILVER SPOKE HUBCAP | 19241-G* | See Wheels and Tires |
| SHUTTLE 2+2 KIT | 74150-G** | See Body, Seating (Shuttle 2+2) |
| CENTER BASKET | 75003-G02 | See Body |
| SIDE BASKET | 75007-G02 | See Body |
| TWO BAG ATTACHMENT | 75183-G01 | See Body |
| CONVERTIBLE CARRIER KIT | 75179-G* | See Body, Seating (Convertible Carrier) |
| 4 BAG ATTACHMENT | 75335-G01 | See Body |



a **TEXTRON** Company

E-Z-GO Division of Textron Inc.
P.O. Box 388 Augusta, Georgia 30903-0388 USA
Inside USA Phone: 1-800-241-5855, FAX: 1-800-448-8124
Outside USA Phone: 010-1-706-798-4311, FAX: 010-1-706-771-4609

Copyrighted Material
This manual may not be reproduced in whole or
in part without the express permission of
E-Z-GO Division of Textron Inc.
Technical Communications Department