

PARTS CATALOG

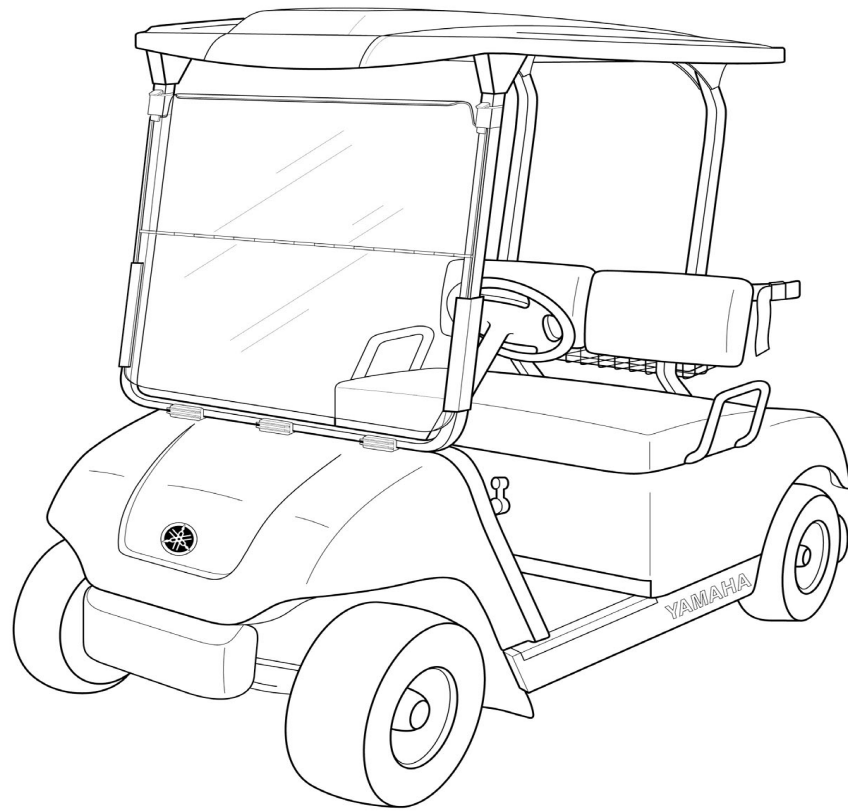


G-MAX 4-STROKE

2004 G22AZ

(JU01) U.S.A., CANADA, EUROPE, OTHERS

APRIL 2005



FOREWORD

This Parts Catalogue is related to the parts for the model(s) shown in the frame below. When you are ordering replacement parts, please refer to this Parts Catalogue and quote both part numbers and part names correctly.

G22A (JU01)

1. Modifications or additions which have been made after issue of the Parts Catalogue will be announced in the Yamaha Parts News. It is advisable that you make necessary corrections to the Parts Catalogue according to the Yamaha Parts News.

2. Abbreviations
The following abbreviations are used in this Parts Catalogue.

- “UR” Use specified part number.
- “UN” Use as many as needed.
- “AP” Alternate parts.
- “LM” Local Made (Parts need to be ordered locally)
- “F#” Frame Number (Applicable machine number)

3. Parts, which are to be supplied in an assembly, are listed with a dot (.) in front of the part name as shown below.

EXAMPLE
CARBURETOR ASSY
.JET, PILOT
.NOZZLE, MAIN

4. Number of component for assembly
The numeral appearing to the right of each component part indicates the quantity of parts for each assembly unit.

EXAMPLE:

PART NO.	DESCRIPTION	Q'TY	REMARKS
JR6-14101-00-00	CARBURETOR ASSY.	1	
98507-5100-00	.SCREW, PAN HEAD	2	

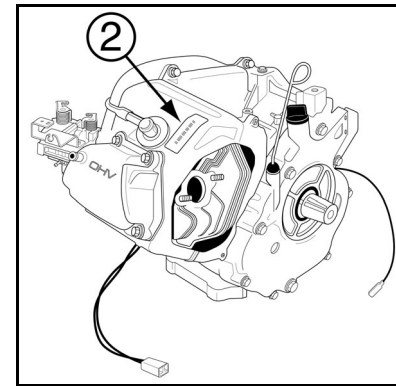
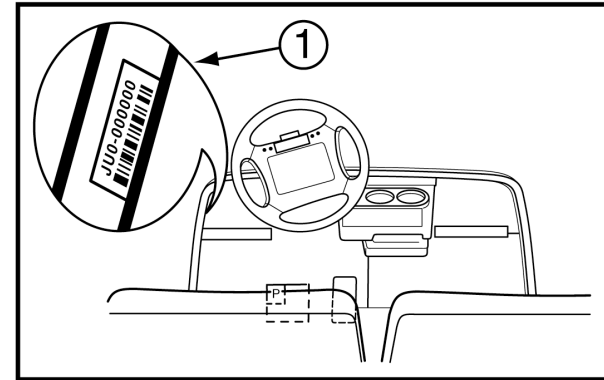
5. Applicable colors of body panels as well as other relevant information are represented in the “REMARKS” column as shown below.

EXAMPLE:

PART NO.	DESCRIPTION	Q'TY	REMARKS
JU0-K8115-00-00	COWL FRONT	1	Ivory color
JN6-F512M-C0-00	.HUB-CAP, CHROME	4	With clips

6. Applicable Serial No. and Color Code

- ① Vehicle (Frame) Serial No. JU0-100101 ~
- ② Engine Serial No. JU0-100101 ~



7. Note that the illustrations are to be used as a reference for finding part numbers, and not to be used for assembling. When dis-assembling and/or re-assembling, please use the applicable service manual.

8. The asterisk (*) before a reference number indicates modification items after the first edition.

CONTENTS

ENGINE	PAGE		PAGE
Engine Assembly	5	Secondary Sheave	29
Cylinder Head	6	Transmission	30 ~ 32
Crankshaft / Piston	7	Rear Axle Mount / Wheel	33
Camshaft / Valve	8	Shifter / Cables	34
Air Shroud / Fan	9	Bumper	35
Intake	10	Body (Front)	36 ~ 37
Carburetor	11	Body 2 (Rear)	38 ~ 39
Exhaust	12	Body Fitting	40
Crankcase	13	Carrier	41
		Seat	42
		Starter Generator	43 ~ 44
		Electrical 1	45
		Electrical 2	46 ~ 47
		Optional Hub Caps	48
		Optional Windshield	49
		Optional Sunroof	50
		Optional Light Kit	51
CHASSIS			
Engine Mount	14		
Rear Arm / Suspension	15		
Frame	16		
Front Suspension / Wheel	17 ~ 18		
Steering	19 ~ 20		
Fuel Tank	21		
Brake	22 ~ 23		
Brake 2	24		
Brake 3	25		
Accelerator	26		
Governor	27		
Primary Clutch	28		

FIG. 1 ENGINE ASSEMBLY

REF NO.	PART NUMBER	DESCRIPTION	QTY	REMARKS
1	JR6-19001-00-00	ENGINE ASSEMBLY	1	

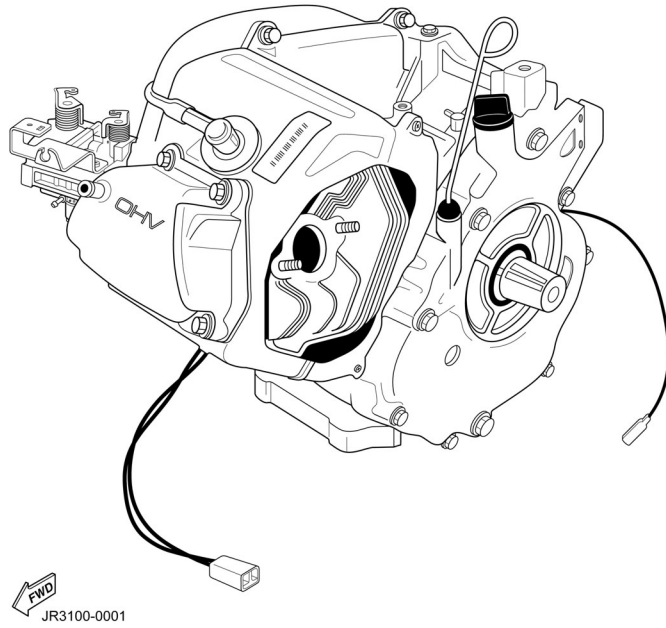
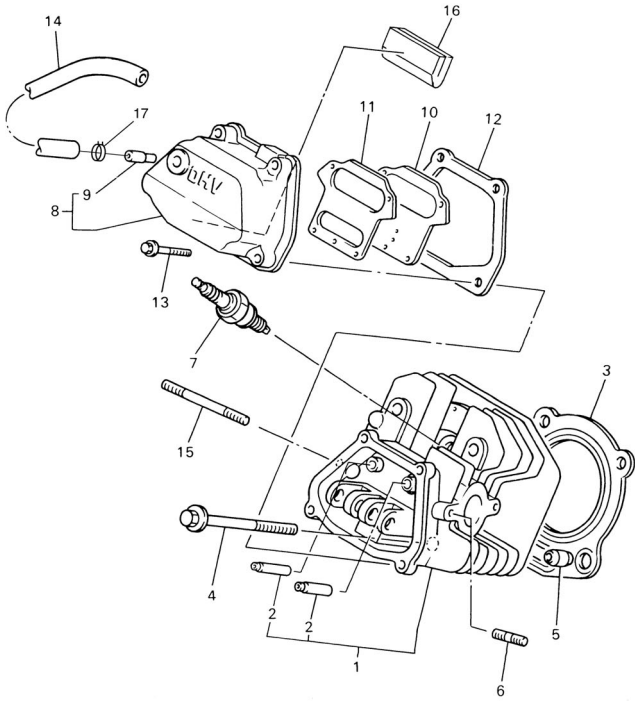


FIG. 2 CYLINDER HEAD



JT01010-0011

REF NO.	PART NUMBER	DESCRIPTION	QTY	REMARKS
1	JT0-11111-00-00	HEAD, CYLINDER 1	1	
2	JN6-11133-10-00	.GUIDE, INTAKE VALVE	2	
3	JT0-11181-00-00	GASKET, CYLINDER HEAD 1	1	
4	95817-10070-00	BOLT, FLANGE	4	
5	99530-14016-00	PIN, DOWEL A	2	
6	95617-08618-00	BOLT, STUD	2	
7	NGK-BPR2E-S0-00	PLUG, SPARK	1	STD, U.S.
	94702-00348-00	PLUG, SPARK	1	STD, EUROPE (BPR2ES)
	NGK-BPR4E-S0-00	PLUG, SPARK	1	AP, U.S.
	94702-00343-00	PLUG, SPARK	1	AP, EUROPE (BPR4ES)
8	JN6-11191-01-00	COVER, CYLINDER HEAD 1	1	
9	JN6-11116-00-00	.JOINT, BREATHER PIPE	1	
10	JN6-11168-00-00	COVER, BREATHER	1	
11	JN6-11169-00-00	GASKET, BREATHER COVER	1	
12	JN6-11193-00-00	GASKET, HEAD COVER 1	1	
13	95817-06030-00	BOLT, FLANGE	4	
14	JN6-E1166-00-00	PIPE, BREATHER 1	1	
15	95617-08710-00	BOLT, STUD	2	
16	JR7-11163-00-00	ELEMENT	1	
17	90467-13847-00	CLAMP	2	

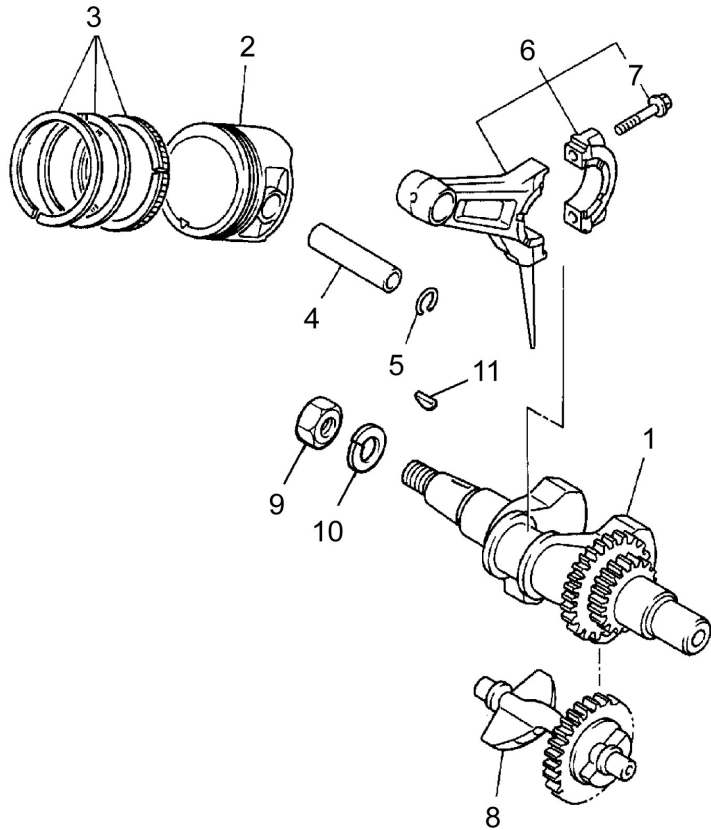


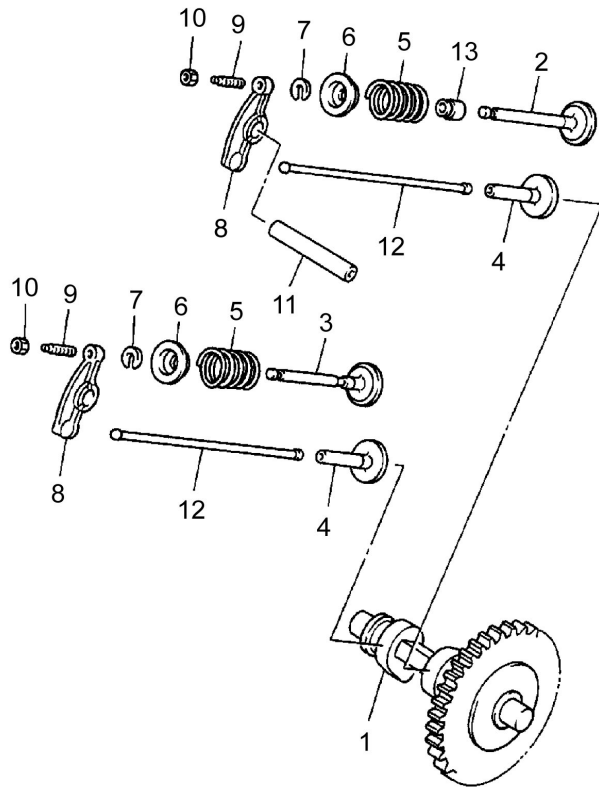
FIG. 3 CRANKSHAFT / PISTON

REF NO.	PART NUMBER	DESCRIPTION	QTY	REMARKS
1	JN6-11400-00-00	CRANK SHAFT ASSY.	1	
2	JR7-11631-00-A0	PISTON, (STD)	1	STD
	JR7-11635-00-00	PISTON, (0.25mm O/S)	1	AP
	JR7-11636-00-00	PISTON (0.50mm O/S)	1	AP
3	JR7-11610-00-00	PISTON RING SET, STD.	1	STD
	JR7-11610-10-00	PISTON RING SET, (0.25mm O/S)	1	AP
	JR7-11610-20-00	PISTON RING SET, (0.50mm O/S)	1	AP
4	583-11633-00-00	PIN, PISTON	1	
5	93450-21053-00	CIRCLIP	2	
6	JN6-11650-00-00	CONNECTING ROD ASSY	1	
7	JN6-11654-00-00	.BOLT, CONNECTING ROD	2	
8	JN6-11454-00-00	WEIGHT, 1	1	
9	95317-18600-00	NUT, HEX.	1	
10	90201-18620-00	WASHER, PLAIN	1	
11	90280-04052-00	KEY, WOODRUFF	1	



JN7010-6020

FIG. 4 CAMSHAFT / VALVE



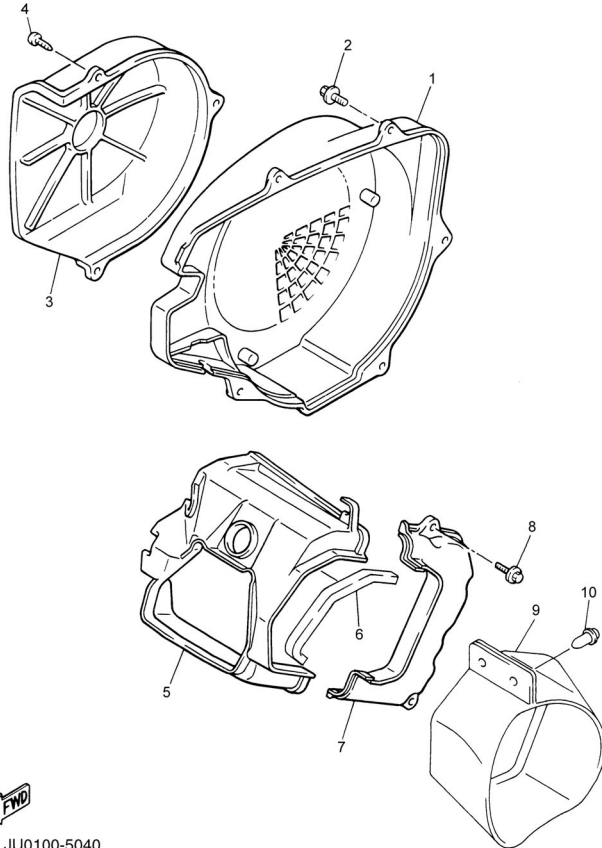
REF NO.	PART NUMBER	DESCRIPTION	QTY	REMARKS
1	JR7-12170-00-00	CAMSHAFT ASSY. 1	1	
2	JN6-12111-01-00	VALVE, INTAKE	1	
3	7RH-12121-00-00	VALVE, EXHAUST	1	
4	JN6-12153-00-00	LIFTER, VALVE	2	
5	90501-264A9-00	SPRING, COMPRESSION	2	
6	J38-12117-01-00	RETAINER, VALVE SPRING	2	
7	J38-12118-00-00	COTTER, VALVE	2	
8	JN6-12151-00-00	ARM, VALVE ROCKER	2	
9	22F-12159-00-00	SCREW, VALVE ADJUSTING	2	
10	90170-05302-00	NUT, HEX.	2	
11	J38-12156-00-00	SHAFT, ROCKER 2	1	
12	JR7-12154-01-00	ROD, VALVE PUSH	2	
13	5H0-12119-00-00	SEAL, VALVE STEM	1	



JN7010-6030

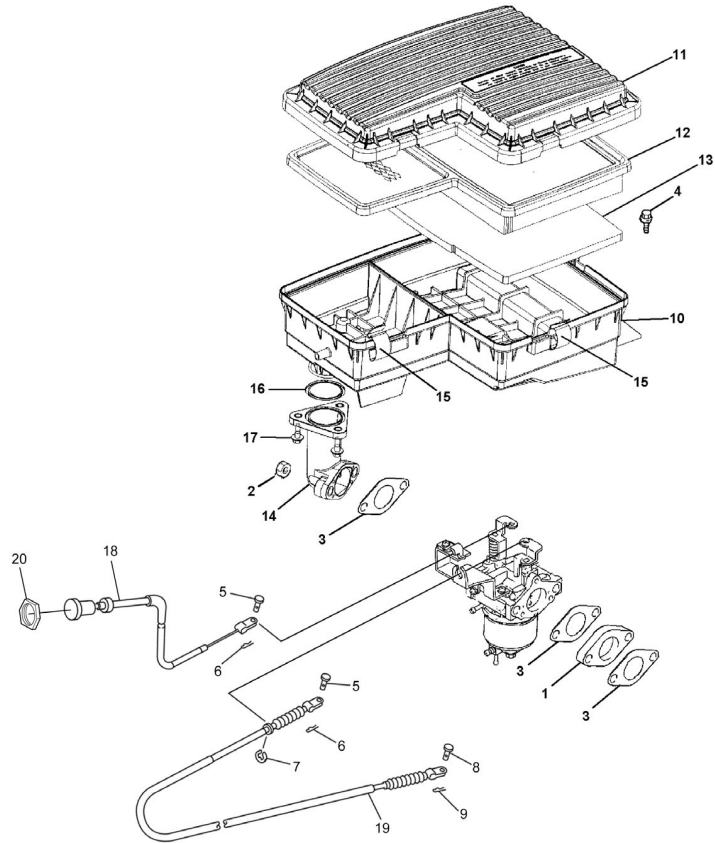
FIG. 5 AIR SHROUD / FAN

REF NO.	PART NUMBER	DESCRIPTION	QTY	REMARKS
1	JN6-12621-00-00	CASE, FAN	1	
2	95817-06020-00	BOLT, FLANGE	5	
3	JN6-12616-00-00	COVER, FAN CASE	1	
4	97707-60520-00	SCREW, PAN HEAD	3	
5	JN6-12651-00-00	AIR SHROUD, CYLINDER 1	1	
6	JR7-12658-00-00	DAMPER AIR SHROUD 1	1	
7	JN6-12652-00-00	AIR SHROUD, CYLINDER 2	1	
8	95817-06020-00	BOLT, FLANGE	2	
9	JN6-E2691-00-00	DUCT, 1	1	
10	90269-08813-00	RIVET	2	



JU0100-5040

FIG. 6 INTAKE



FWD
JU0100-5050

REF NO.	PART NUMBER	DESCRIPTION	QTY	REMARKS
1	JN6-13595-00-00	JOINT	1	
2	95707-08500-00	NUT, FLANGE	2	
3	JN6-13567-00-00	GASKET	3	
4	90119-06838-00	BOLT, HEX HEAD W/WASHER	2	
5	91790-05010-00	PIN, CYL. HEAD W/HOLE	2	
6	90468-10050-00	CLIP	2	
7	99080-07600-00	CIRCLIP (E)	1	
8	91790-05010-00	PIN, CYL. HEAD W/HOLE	1	
9	90468-10050-00	CLIP	1	
10	JN6-E4411-02-00	CASE, AIR FILTER	1	
11	JN6-E4412-01-00	CAP, CASE 1	1	
12	JN6-E4450-01-00	ELEMENT ASSY.	1	
13	JN6-E445E-00-00	FILTER, 1	1	
14	JN6-E3586-01-00	JOINT, CARBURETOR	1	
15	JN6-E4424-00-00	CLIP, CAP FIT	5	
16	93210-398D6-00	O-RING	1	
17	90105-06862-00	BOLT, FLANGE	3	
18	JN6-F6331-11-00	WIRE, STARTER	1	
19	JN6-F6312-01-00	WIRE, THROTTLE	1	
20	JN6-F6333-10-00	NUT	1	

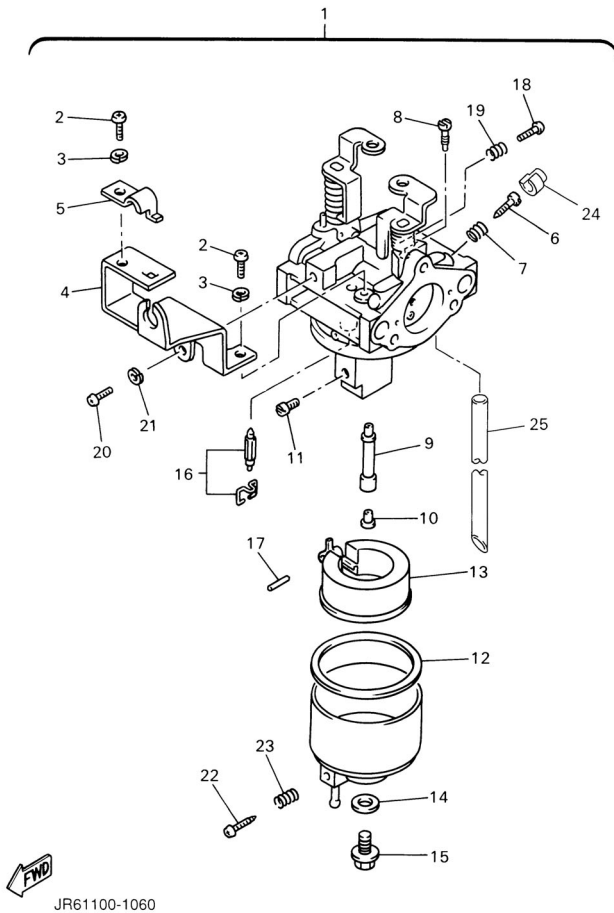
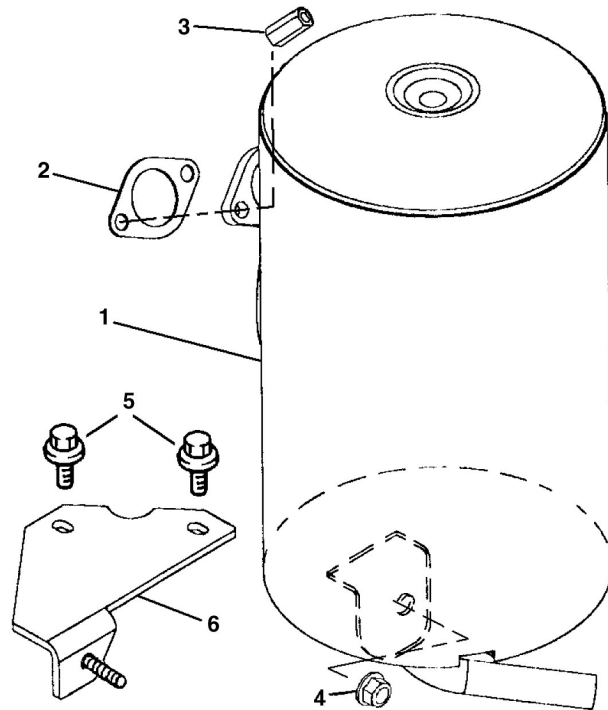


FIG. 7 CARBURETOR

REF NO.	PART NUMBER	DESCRIPTION	QTY	REMARKS
1	JR6-14101-00-00	CARBURETOR ASSY.	1	
2	98507-05100-00	.SCREW, PAN HEAD	2	
3	92990-05100-00	.WASHER	2	
4	JN6-14291-00-00	.BRACKET 1	1	
5	J10-14227-00-00	.WASHER	1	
6	7NJ-14211-00-00	.SCREW, PILOT ADJUSTING	1	
7	73A-14212-10-00	.SPRING, PILOT ADJUSTING	1	
8	732-14142-65-A0	.JET, PILOT	1	(#65.0)
9	JN6-1495H-3B-00	.NOZZLE, MAIN	1	
10	73A-1414G-00-00	.PIPE, MAIN BLEED	1	
11	3G2-1423A-68-A0	.JET, MAIN	1	(# 87.5)
12	796-14184-00-00	.GASKET, FLOAT CHAMBER	1	
13	JN6-14185-00-00	.FLOAT	1	
14	127-14198-00-00	.GASKET	1	
15	7R1-14162-00-00	.BOLT, HOLDING	1	
16	JN5-14150-00-00	.NEEDLE ASSY	1	
17	22F-14186-00-00	.PIN, FLOAT	1	
18	1WG-14922-00-00	.SCREW, THROTTLE	1	
19	73A-14212-10-00	.SPRING, PILOT ADJUSTING	1	
20	98507-04010-00	.SCREW, PAN HEAD	1	
21	92903-04100-00	.WASHER	1	
22	7E1-14191-00-00	.PLUG, DRAIN	1	
23	73A-14212-00-00	.SPRING, PILOT ADJUSTING	1	
24	7LV-14118-00-00	.CAP	1	
25	1KT-14197-01-00	.PIPE	1	

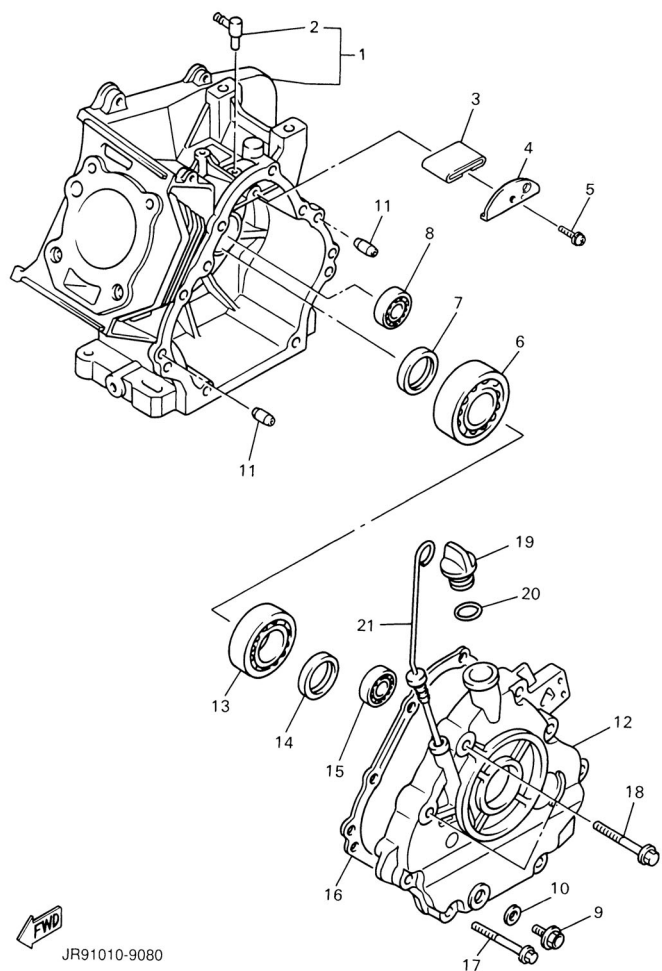
FIG. 8 EXHAUST



REF NO.	PART NUMBER	DESCRIPTION	QTY	REMARKS
1	JU0-E4710-10-00	MUFFLER ASSEMBLY 1	1	
2	7KY-14613-01-00	GASKET, EXHAUST 1	1	
3	90179-08879-00	NUT	2	
4	90185-08841-00	NUT, SELF LOCKING	1	
5	90119-08825-00	BOLT, HEX HEAD W/WASHER	2	
6	JN6-F1435-10-00	BRACKET, MUFFLER	1	

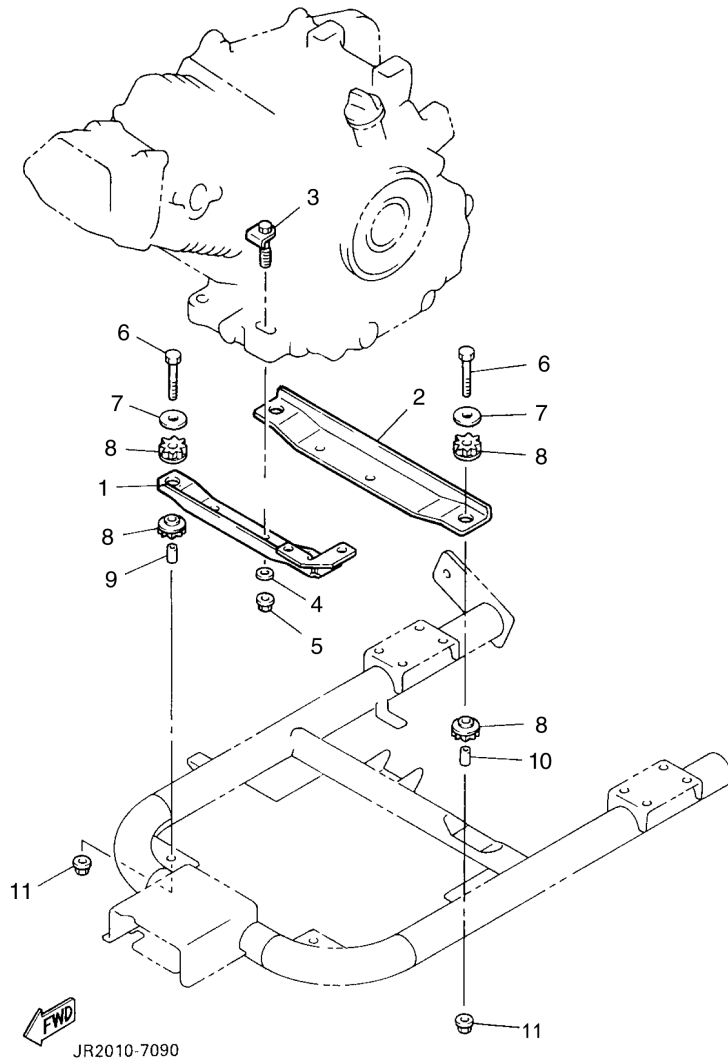
 JN6100-6021

FIG. 9 CRANKCASE



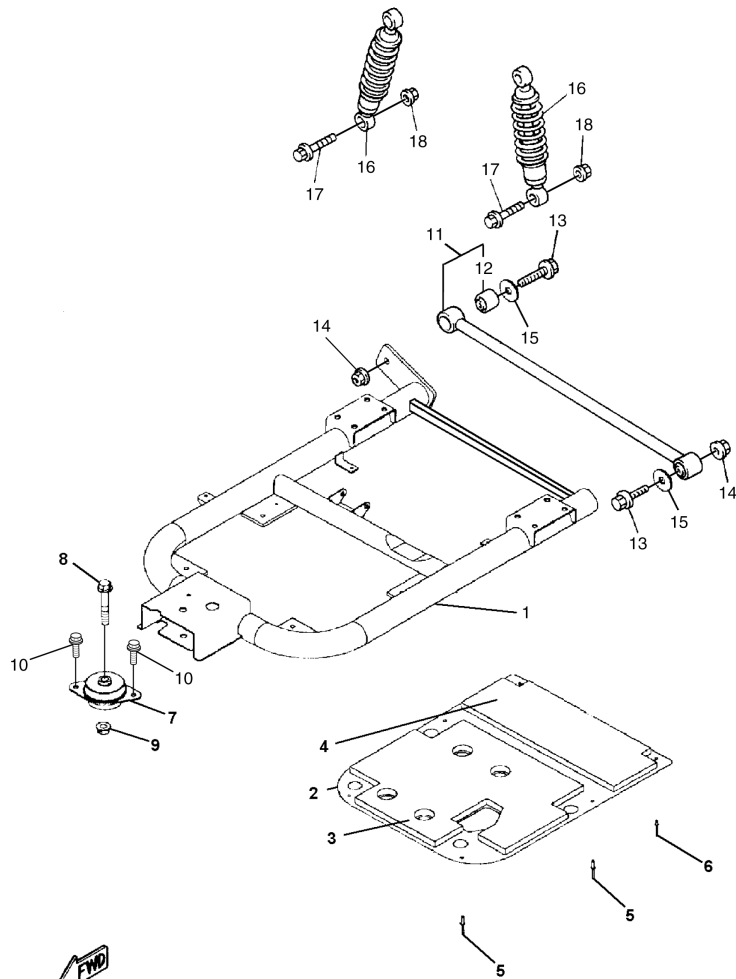
REF NO.	PART NUMBER	DESCRIPTION	QTY	REMARKS
1	JR7-15100-00-00	CRANKCASE ASSY	1	
2	JN6-15155-00-00	.NOZZLE, 3	1	
3	JR7-15407-00-00	ELEMENT 1	1	
4	JR7-15123-00-00	PLATE, BAFFLE 1	1	
5	90159-06107-00	SCREW, W/WASHER	1	
6	93306-30709-00	BEARING	1	
7	93102-35014-00	SEAL, OIL	1	
8	93306-20211-00	BEARING	1	
9	90340-12097-00	PLUG, STRAIGHT SCREW	1	
10	812-11198-00-00	GASKET	1	
11	91808-16023-00	PIN, DOWEL	2	
12	JN6-15411-00-00	COVER, CRANKCASE 1	1	
13	93306-20716-00	BEARING	1	
14	93102-35014-00	SEAL, OIL	1	
15	93306-20211-00	BEARING	1	
16	JN6-15451-02-00	GASKET, CRANKCASE COVER	1	
17	95817-08045-00	BOLT, FLANGE	6	
18	95817-10050-00	BOLT, FLANGE	2	
19	7EN-51118-00-00	PLUG, OIL	1	
20	93210-22344-00	O-RING	1	
21	J38-15361-00-00	GAUGE, LEVEL	1	

FIG. 10 ENGINE MOUNT



RE	PART NUMBER	DESCRIPTION	QTY	REMARKS
1	JN6-F1411-00-00	BRACKET, ENGINE 1	1	
2	JN6-F1419-02-00	BRACKET, ENGINE 2	1	
3	JN6-F1481-00-00	BOLT, ENGINE	4	
4	92907-10200-00	WASHER, PLAIN	4	
5	9560P-10200-00	NUT, U-FLANGE	4	
6	90101-08870-00	BOLT, HEX	4	
7	90201-088K6-00	WASHER, PLAIN	4	
8	JN6-F1486-00-00	DAMPER, 2	8	
9	JN6-F1459-00-00	SPACER	2	
10	JN6-F1459-10-00	SPACER	2	
11	90185-08169-00	NUT, U-FLANGE	4	

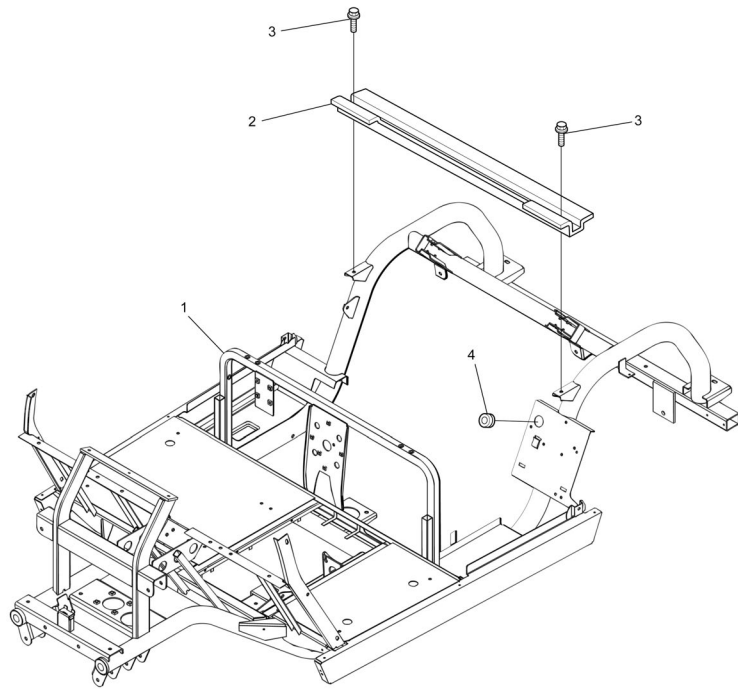
FIG. 11 REAR ARM / SUSPENSION



JU0100-5100

REF NO.	PART NUMBER	DESCRIPTION	QTY	REMARKS
1	JU0-F2110-01-00	REAR ARM COMP.	1	
2	JN6-F2128-01-00	COVER, 1	1	
3	JN6-F211E-01-00	PANEL, INNER 1	1	
4	JN6-F211G-01-00	PANEL, INNER 2	1	
5	90267-48850-00	RIVET, BLIND	4	
6	90267-40851-00	RIVET, BLIND	2	
7	JN6-F2123-01-00	BUSHING, 1	1	
8	90105-13864-00	BOLT, FLANGE	1	
9	90179-13878-00	NUT	1	
10	9751P-10620-00	BOLT, HEX. W/WASHER	2	
11	JN6-F2172-00-00	ROD, CONNECTING	1	
12	JN6-F2124-00-00	.BUSHING, 2	2	
13	9581P-12065-00	BOLT, FLANGE	2	
14	9560P-12200-00	NUT, U-FLANGE	2	
15	90201-12426-00	WASHER, PLAIN	2	
16	JN4-F2210-00-00	SHOCK ABSORBER	2	
17	95817-10055-00	BOLT, FLANGE	4	
18	95607-10200-00	NUT, U-FLANGE	4	

FIG. 12 FRAME

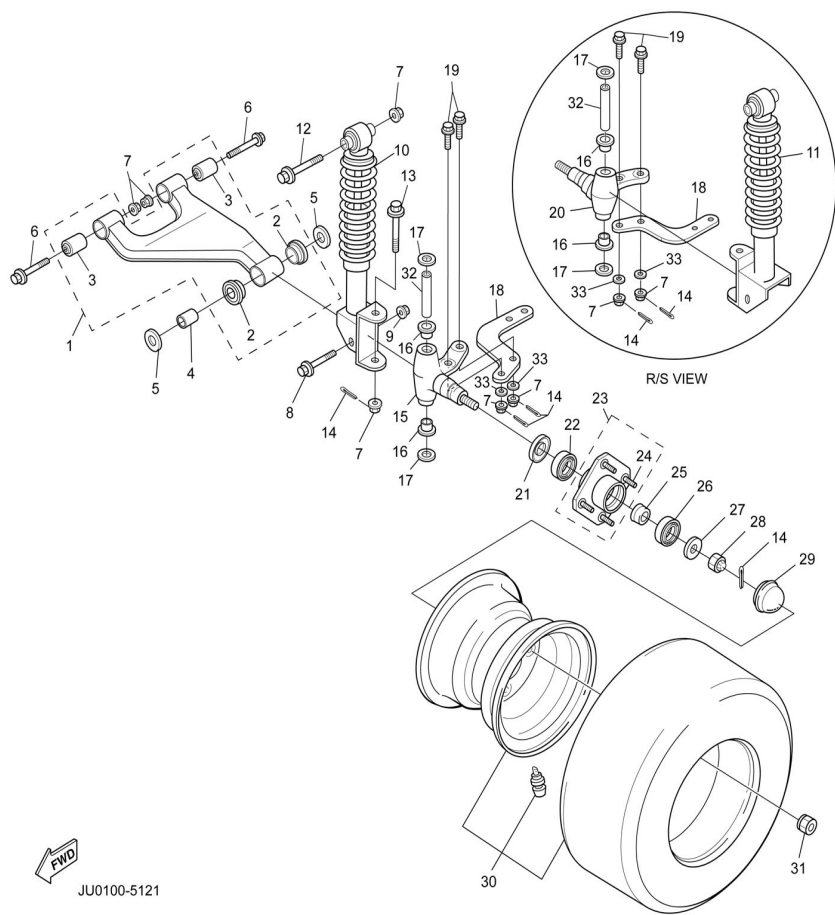


REF NO.	PART NUMBER	DESCRIPTION	QTY	REMARKS
1	JU0-F2501-00-00	FRAME COMP.	1	
2	JU0-F254R-00-00	SUPPORT, BODY MOUNTING	1	
3	95817-08016-00	BOLT, FLANGE	2	
4	90480-25856-00	GROMMET	1	



JU0100-5110

FIG. 13 FRONT SUSPENSION / WHEEL



REF NO.	PART NUMBER	DESCRIPTION	QTY	REMARKS
1	JU0-F3570-20-00	FRONT LOWER ARM COMP.	2	FITS LS AND RS
2	90381-18001-00	.BUSHING SOLID	4	FITS LS AND RS
3	2HR-23526-00-00	.BUSH 1	4	FITS LS AND RS
4	90387-12016-00	COLLAR	2	
5	401-22128-01-00	COVER, 1	4	
6	90105-10890-00	BOLT, FLANGE	4	
7	95607-10200-00	NUT, U-FLANGE	12	
8	95817-12080-00	BOLT, FLANGE	2	
9	9561P-12100-00	NUT, U-FLANGE	2	
10	JU0-F3350-20-00	CUSHION ASSY.	1	
11	JU0-F3390-20-00	CUSHION ASSY. 2	1	
12	95807-10065-00	BOLT, FLANGE	2	
13	90105-10064-00	BOLT, FLANGE	2	
14	91401-25020-00	PIN, SPLIT	8	
15	JU0-F3511-00-00	KNUCKLE, STEERING LH	1	
16	90381-17067-00	BUSH, SOLID	4	
17	2NL-23517-00-00	COVER, THRUST 1	4	
18	JU0-F3512-01-00	ARM, KNUCKLE	2	
19	90105-10728-00	BOLT, FLANGE	4	
20	JU0-F3521-00-00	KNUCKLE, STEERING RH	1	
21	93102-30083-00	SEAL, OIL	2	
22	93306-204X0-00	BEARING	2	
23	JG5-WF511-00-00	HUB	2	
24	90114-12800-00	.BOLT, KNURLED	8	
25	90387-241M7-00	COLLAR	2	
26	93306-005Y3-00	BEARING	2	
27	90209-32832-00	WASHER	2	

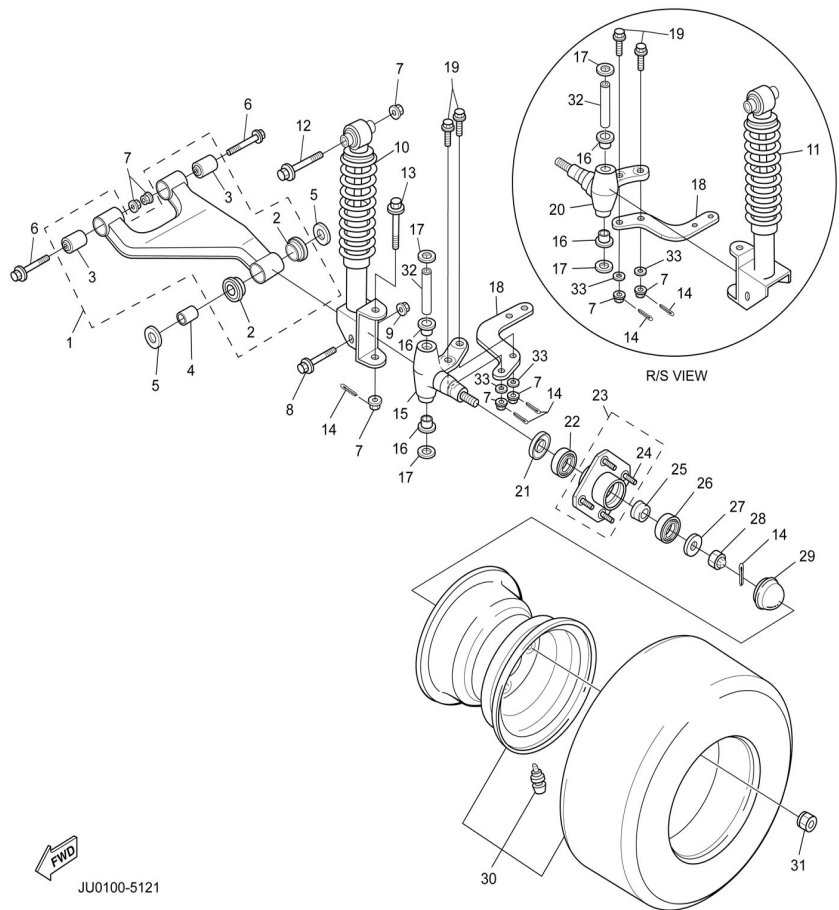
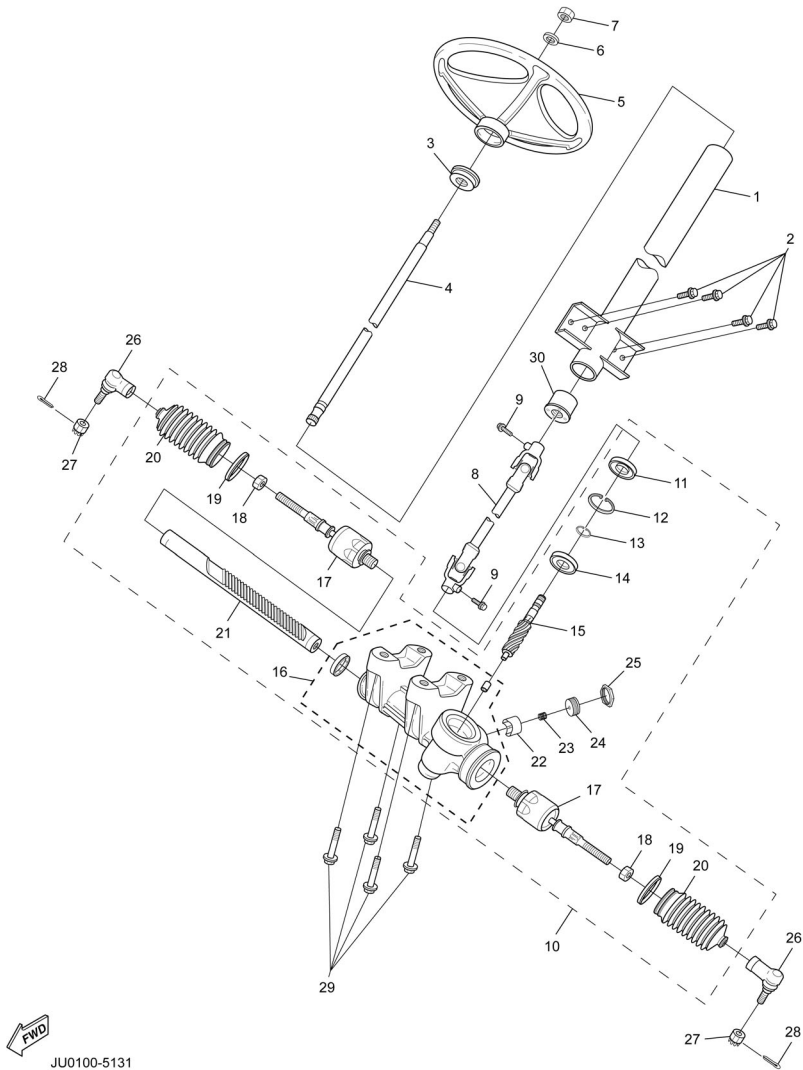


FIG. 13 FRONT SUSPENSION / WHEEL

REF NO.	PART NUMBER	DESCRIPTION	QTY	REMARKS
28	95607-14100-00	NUT,U FLANGE	2	
29	JN6-F5118-00-00	COVER, HUB DUST	2	
30	JN6-F5100-11-00	WHEEL ASSY. (KENDA TIRE)	2	
	JU0-F5100-00-00	WHEEL ASSY. (MAXXIS TIRE)	2	
31	90179-12262-00	NUT	8	
32	2NL-23448-00-00	SPACER	2	
33	90201-108P8-00	WASHER, PLAIN	4	

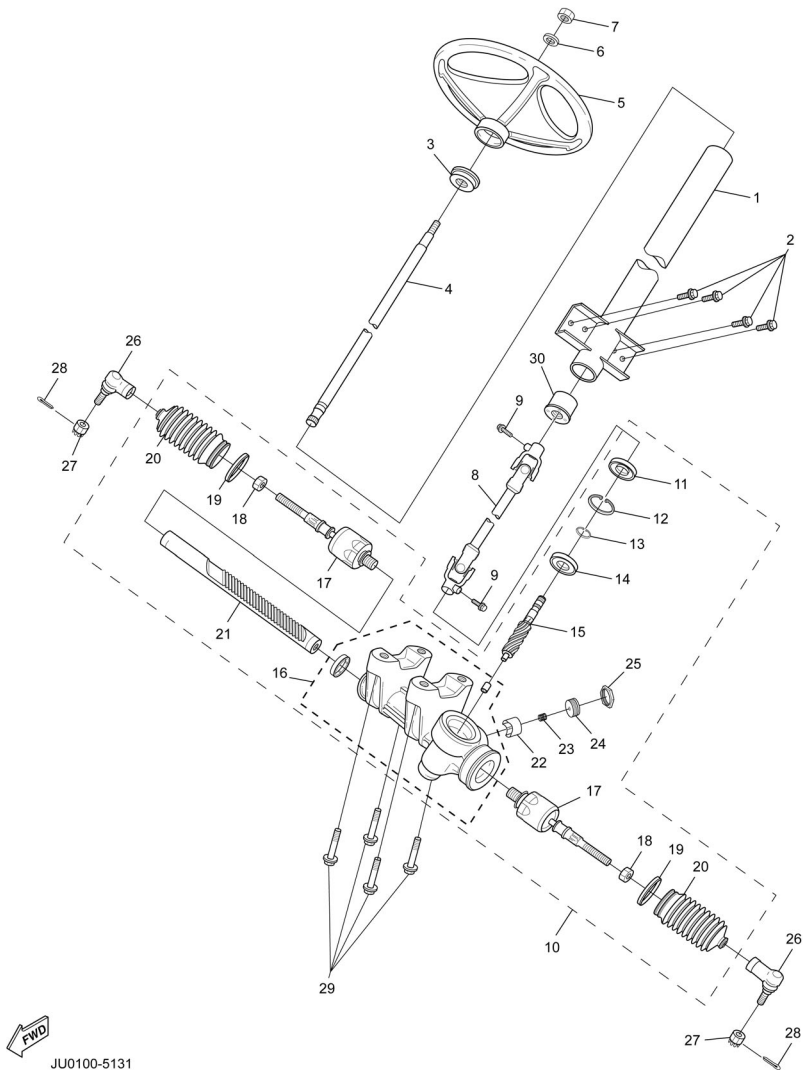
FIG. 14 STEERING



REF NO.	PART NUMBER	DESCRIPTION	QTY	REMARKS
1	JU0-F3811-00-00	COLUMN, STEERING	1	
2	9581P-08016-00	BOLT,FLG. (7-FQA)	4	
3	JN3-F3814-00-00	HOLDER,HANDLE UPPER	1	
4	JU0-F3828-00-00	ROD,STRG.	1	
5	JN3-F3838-00-00	WHEEL,STRG.	1	
6	9290P-12200-00	WASHER PLAIN (7-FQA)	1	
7	90185-12061-00	NUT,SELF-LOCKING	1	
8	JU0-F3822-00-00	JT.,1	1	
9	97517-08530-00	BOLT,HEX. HEAD W/WASHER	2	
10	JU0-F3400-00-00	STEERING ASSEMBLY	1	
11	JU0-F3844-00-00	.SEAL	1	
12	JU0-F387J-00-00	.RING	1	
13	JU0-F3183-00-00	.CIRCLIP	1	
14	JU0-F339Y-00-00	.BEARING	1	
15	JU0-F387A-00-00	.GEAR PINION	1	
16	JU0-F620A-00-00	.HOUSING COMP.	1	
17	JU0-F3837-00-00	.ROD, TIE	2	
18	JU0-F3833-00-00	.NUT, 1	2	
19	JU0-F1338-00-00	.CLAMP	2	
20	JU0-F3848-00-00	.BOOT	2	
21	JU0-F387E-00-00	.GEAR, RACK	1	
22	JU0-F387F-00-00	.PAD, PRESSURE	1	
23	JU0-F387K-00-00	.SPRING, PRESSURE	1	
24	JU0-F387G-00-00	.COVER, ADJUST	1	
25	JU0-F3834-00-00	.NUT, 2	1	
26	JU0-F3841-00-00	JT., UNIVERSAL	2	
27	95607-12200-00	NUT, U FLANGE	2	

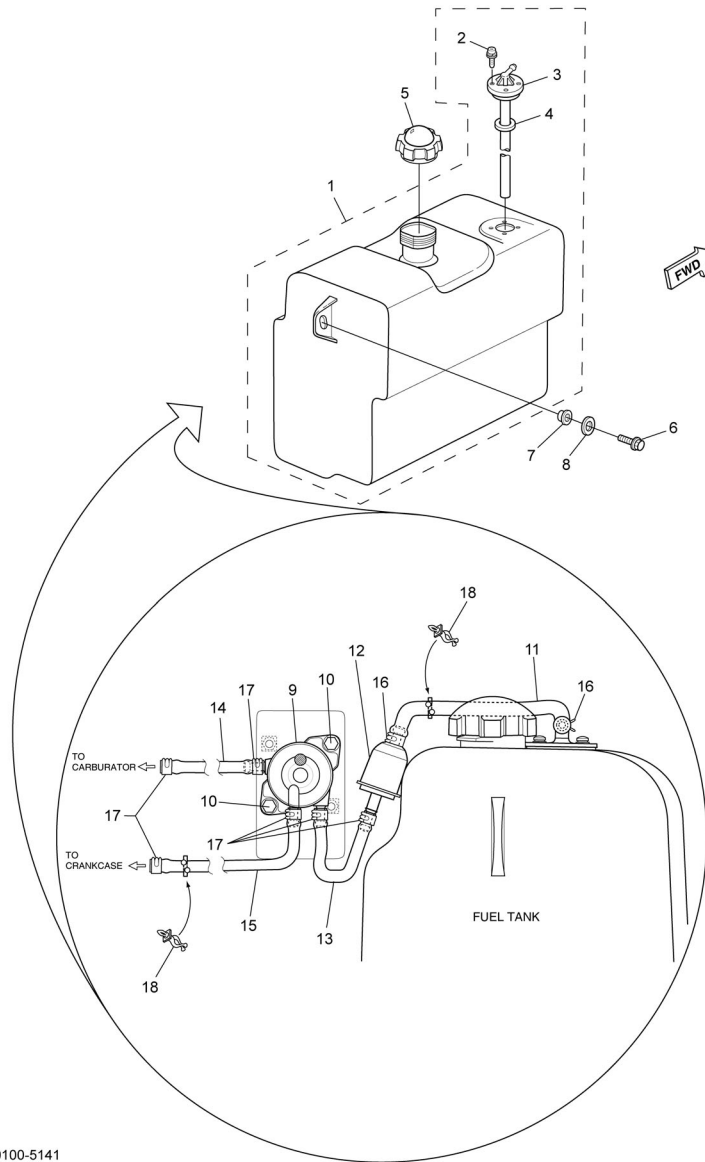
FIG. 14 STEERING

REF NO.	PART NUMBER	DESCRIPTION	QTY	REMARKS
28	91401-25020-00	PIN, SPLIT	2	
29	90105-10810-00	BOLT, FLG.	4	
30	JU0-F3857-00-00	HOLDER	1	



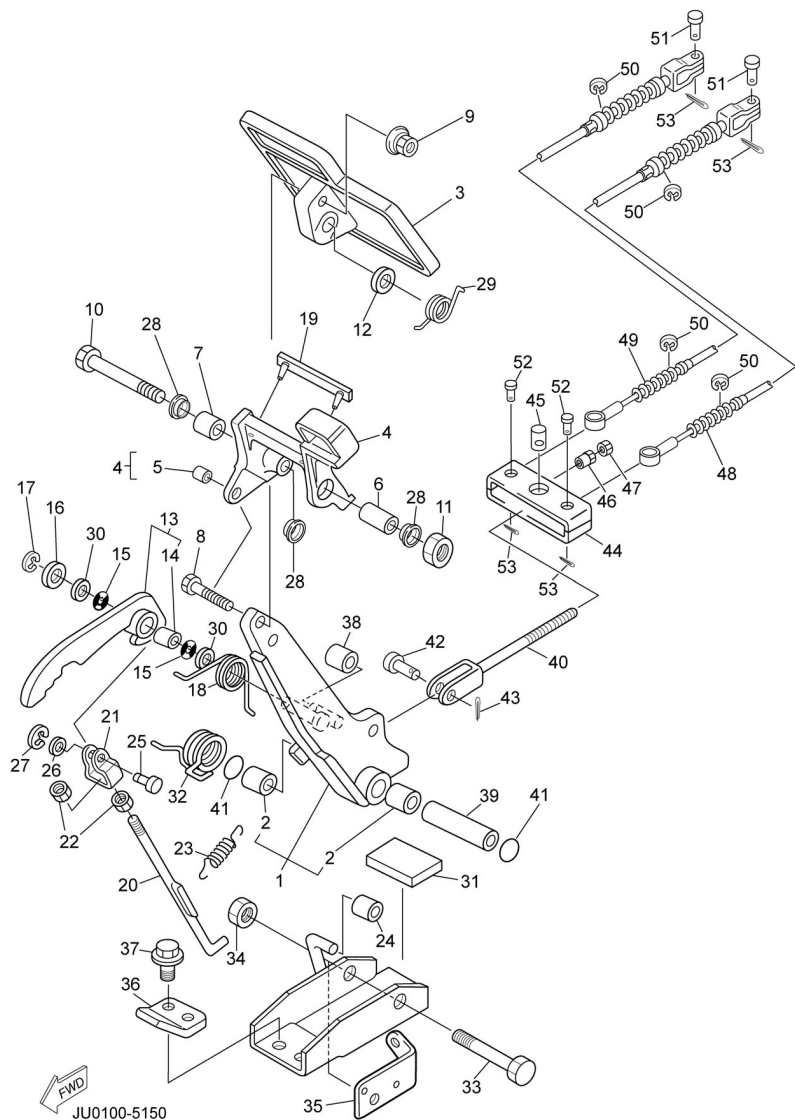
JU0100-5131

FIG. 15 FUEL TANK



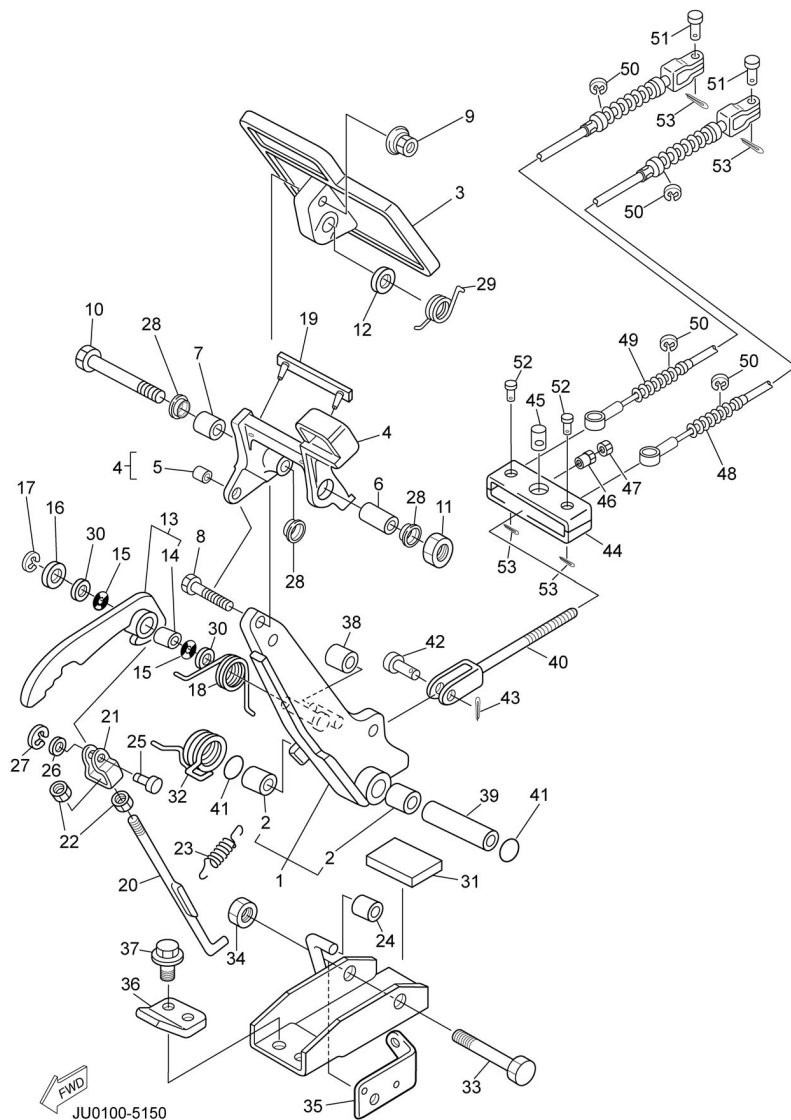
REF NO.	PART NUMBER	DESCRIPTION	QTY	REMARKS
1	JN6-F4110-01-00	FUEL TANK COMP	1	
2	97607-05314-00	.SCREW, PAN HEAD W/WASHER	4	
3	JN3-F4300-02-00	.FUEL PIPE JOINT	1	
4	93210-228C4-00	.O-RING	1	
5	JN6-F4610-00-00	CAP ASSY.	1	
6	90105-08878-00	BOLT, FLANGE	2	
7	90560-08251-00	SPACER	2	
8	90201-088S2-00	WASHER, PLAIN	2	
9	JN6-F4410-10-00	FUEL PUMP ASSY	1	
10	JN6-F3394-00-00	BOLT, SPECIAL	2	
11	JN6-F4312-20-00	PIPE, 2	1	
12	JN6-F4560-00-00	FILTER ASSY.	1	
13	JN6-F4311-20-00	PIPE, FUEL	1	
14	JN6-F4313-20-00	PIPE, 3	1	
15	JN6-F4314-20-00	PIPE, 4	1	
16	90467-12845-00	CLIP	2	RED
17	90467-10846-00	CLIP	6	GREEN
18	90464-11816-00	CLAMP	2	

FIG. 16 BRAKE



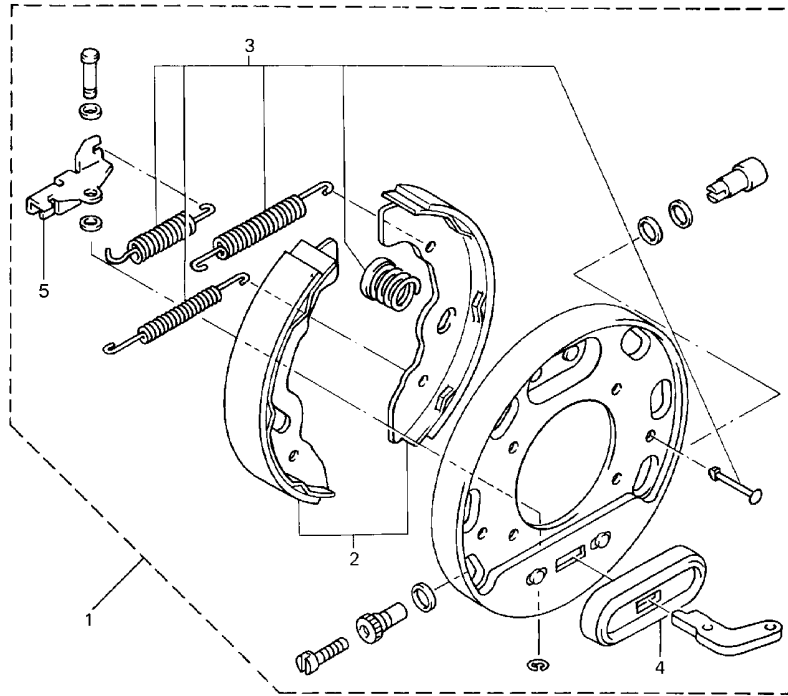
REF NO.	PART NUMBER	DESCRIPTION	QTY	REMARKS
1	J46-27250-03-00	BRAKE ARM COMP	1	
2	90384-14080-00	.BUSH, BIMETAL FORMED	2	
3	JU0-27211-01-00	PEDAL, BRAKE	1	
4	JU0-25671-00-00	PEDAL, PARKING BRAKE	1	
5	90384-05163-00	.BUSH, BIMETAL	1	
6	90387-08014-00	COLLAR	1	
7	90387-08013-00	COLLAR	1	
8	97017-06035-00	BOLT, HEX.	1	
9	90179-06387-00	NUT	1	
10	97027-08100-00	BOLT, HEX.	1	
11	95337-08600-00	NUT, HEX.	1	
12	92907-08200-00	WASHER, PLAIN	1	
13	J17-25666-02-00	SECTOR, PARKING BRAKE	1	
14	90384-10162-00	.BUSH, BIMETAL	1	
15	J17-27221-00-00	SEAL, SHAFT	2	
16	92907-10600-00	WASHER, PLAIN	1	
17	99080-07600-00	CIRCLIP (E)	1	
18	90508-14548-00	SPRING, TORSION	1	
19	J17-25672-01-00	PAD, PARKING	1	
20	J17-27231-03-00	ROD, BRAKE	1	
21	J17-27232-00-00	END, ROD 1	1	
22	95317-06700-00	NUT, HEX.	2	
23	90506-08526-00	SPRING, TENSION	1	
24	J17-25673-00-00	DAMPER, BRAKE	1	
25	J17-27228-00-00	PIN, LINK JOINT	1	
26	92907-05600-00	WASHER, PLAIN	1	
27	99080-04600-00	CIRCLIP (E)	1	

FIG. 16 BRAKE



REF NO.	PART NUMBER	DESCRIPTION	QTY	REMARKS
28	90387-12009-00	BUSH, COLLAR	3	
29	90508-32015-00	SPRING, TORSION	1	
30	90201-104G8-00	WASHER, PLATE	2	
31	JN3-F7245-00-00	PAD, BRAKE PEDAL	1	
32	90508-40007-00	SPRING, TORSION	1	
33	90101-10884-00	BOLT, HEX.	1	
34	95607-10200-00	NUT, U-FLANGE	1	
35	J55-2252M-00-00	BRACKET, 3	1	
36	J17-27246-00-00	NAIL, BRAKE	1	
37	90105-08878-00	BOLT, FLANGE	2	
38	J17-25673-00-00	DAMPER, BRAKE	1	
39	90387-107F8-00	COLLAR	1	
40	JN6-F5685-00-00	ROD	1	
41	93210-14579-00	O-RING	2	
42	91701-10022-00	PIN	1	
43	91490-30020-00	PIN, SPLIT	1	
44	JN6-F5681-00-00	EQUALIZER, BRAKE	1	
45	90249-14129-00	PIN	1	
46	90179-08894-00	NUT	1	
47	95317-08700-00	NUT, HEX.	1	
48	JU0-F6341-00-00	WIRE, BRAKE 1	1	
49	JU0-F6351-00-00	WIRE, BRAKE 2	1	
50	99001-09600-00	CIRCLIP (E)	4	
51	91701-08018-00	PIN	2	
52	91701-08026-00	PIN	2	
53	91490-25020-00	PIN, SPLIT	4	

FIG. 17 BRAKE 2

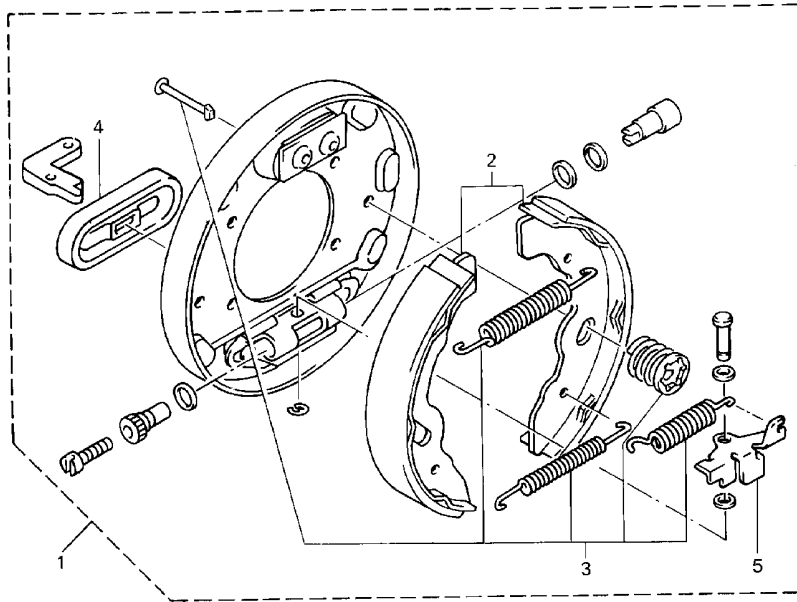


REF NO.	PART NUMBER	DESCRIPTION	QTY	REMARKS
1	JN6-F7280-03-00	BACKING PLATE, (RH)	1	(FOR RIGHT WHEEL ONLY)
2	JN6-F5331-01-00	.SHOE, BRAKE SET	1	(FOR ONE WHEEL)
3	JG5-F819G-00-00	.REPAIR PARTS KIT	1	
4	JG5-F7286-00-00	.COVER, DUST	1	
5	JN6-F722F-00-00	.LEVER ADJUSTER, (RH)	1	




JN4100-5061

FIG. 18 BRAKE 3



REF NO.	PART NUMBER	DESCRIPTION	QTY	REMARKS
1	JN6-F7290-03-00	BACKING PLATE, (LH)	1	(FOR LEFT WHEEL ONLY)
2	JN6-F5331-01-00	.SHOE, BRAKE SET	1	(FOR ONE WHEEL)
3	JG5-F819G-00-00	.REPAIR PARTS KIT	1	
4	JG5-F7286-00-00	.COVER, DUST	1	
5	JN6-F722E-00-00	.LEVER ADJUSTER, (LH)	1	

 JN4100-5071

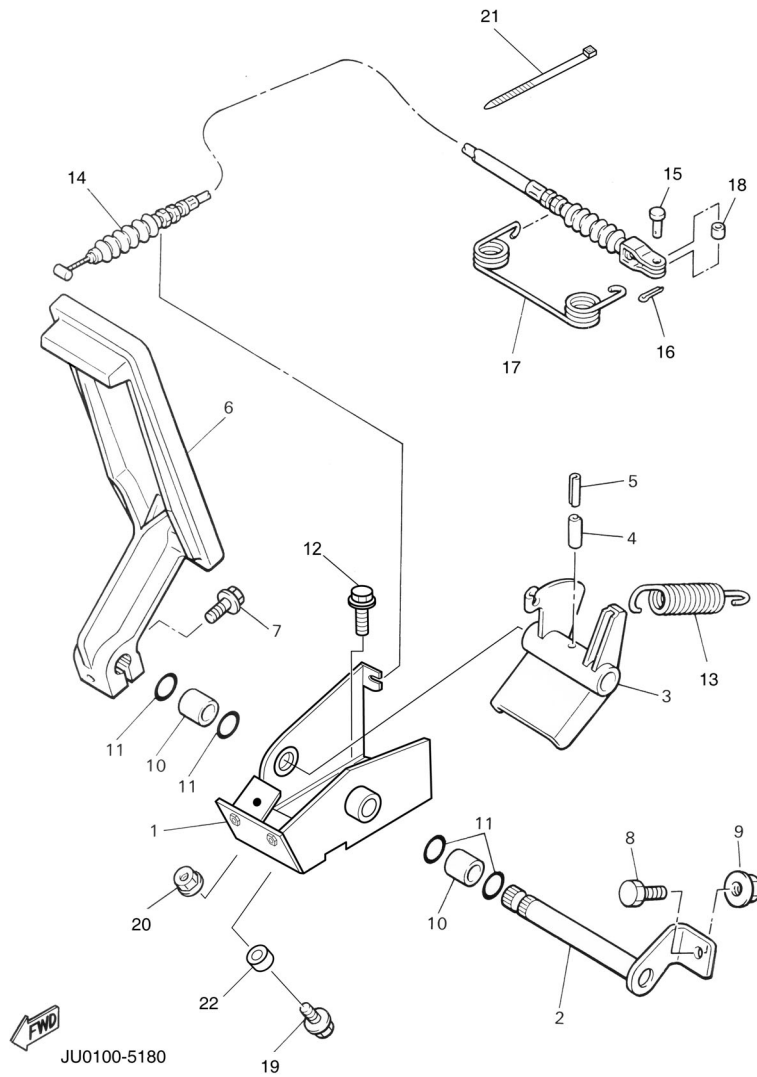


FIG. 19 ACCELERATOR

REF NO.	PART NUMBER	DESCRIPTION	QTY	REMARKS
1	JN6-F7874-01-00	BRKT., PEDAL ACCELERATOR	1	
2	J17-27853-01-00	SHAFT, PEDAL1	1	
3	J38-27872-00-00	ARM, ACCELERATOR PEDAL	1	
4	91609-60028-00	PIN, SPRING	1	
5	91609-35028-00	PIN, SPRING	1	
6	JF3-27871-00-00	PEDAL, ACCELERATOR	1	
7	95817-06025-00	BOLT, FLANGE	1	
8	90106-08806-00	BOLT, RD. HEX	1	
9	95707-08500-00	NUT, FLANGE	1	
10	90384-14080-00	BUSH, BIMETAL FORMED	2	
11	93210-14104-00	O-RING	4	
12	90105-08878-00	BOLT, HEX. H	3	
13	90506-26282-00	SPRING, TENSION	1	
14	JN3-F6311-00-00	WIRE, THROTTLE	1	
15	91790-05012-00	PIN, CLEVIS	1	
16	90468-10050-00	CLIP	1	
17	90508-16460-00	SPRING, TORSION	1	
18	90560-05001-00	SPACER	1	
19	95817-06025-00	BOLT, FLANGE	1	
20	95707-06500-00	NUT, FLANGE	1	
21	90464-40825-00	CLAMP	2	
22	90387-068T4-00	COLLAR	1	

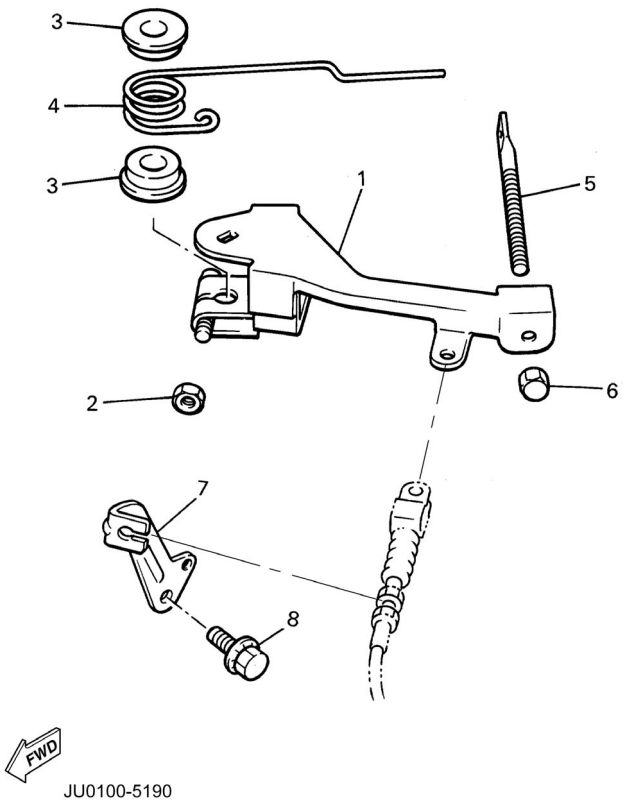


FIG. 20 GOVERNOR

REF NO.	PART NUMBER	DESCRIPTION	QTY	REMARKS
1	J38-27951-00-00	LEVER, SPEED LIMITER	1	
2	95317-06600-00	NUT, HEX.	1	
3	90386-08141-00	BUSH	2	
4	90508-40678-00	SPRING, TORSION	1	
5	J38-27959-00-00	SCREW, ADJUSTING	1	
6	9560P-06200-00	NUT, U-FLANGE	1	
7	JN3-G6555-00-00	BRACKET 2	1	
8	90105-08859-00	BOLT, FLANGE	1	

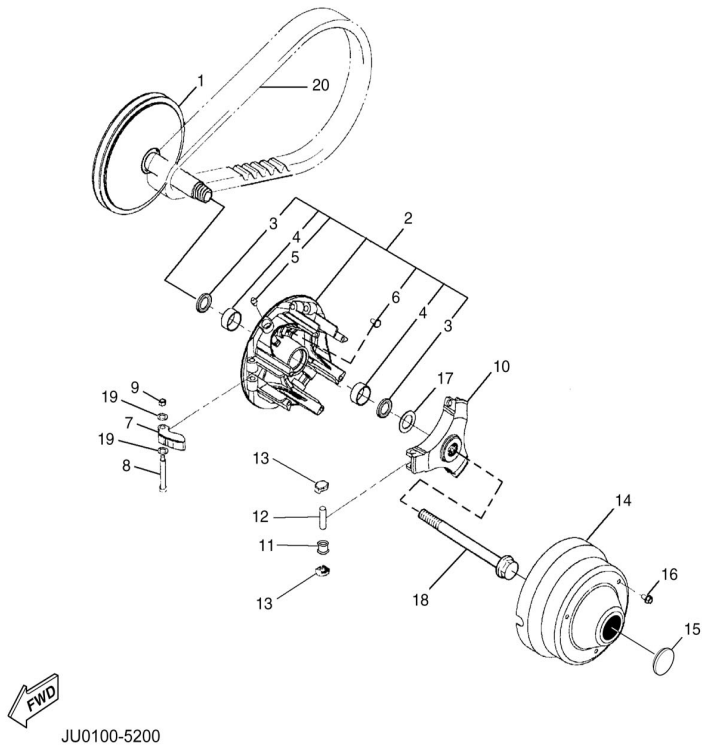


FIG. 21 PRIMARY CLUTCH

REF NO.	PART NUMBER	DESCRIPTION	QTY	REMARKS
	JN6-G6201-04-00	PRIMARY CLUTCH ASSEMBLY	1	SEE NOTE "A"
1	JN6-G6210-00-00	PRIMARY FIXED SHEAVE	1	
2	JN6-G6221-00-00	PRIMARY SLIDING SHEAVE	1	
3	93101-28831-00	.SEAL, OIL	2	
4	90384-27823-00	.BUSH, BIMETAL FORMED	2	
5	93700-06810-00	.NIPPLE, GREASE	1	
6	90338-04840-00	.PLUG	3	
7	JN6-G6232-01-00	WEIGHT, 1	3	
8	90109-06860-00	BOLT	3	
9	90185-06834-00	NUT, SELF-LOCKING	3	
10	JN6-G6251-01-00	SPIDER	1	SEE NOTE "B"
11	JN6-G6258-02-00	COLLAR, ROLLER	3	SEE NOTE "B"
12	93610-358A3-00	PIN, DOWEL	3	
13	JN6-G6253-00-00	SLIDER	6	
14	JU0-G6231-00-00	CAP	1	
15	JU0-G6297-00-00	COVER, DUST	1	
16	90105-06861-00	BOLT, FLANGE	3	
17	90201-228K5-00	WASHER, PLAIN	1	
18	JN6-G6249-00-00	BOLT	1	
19	JN6-G621F-00-00	SHIM, THRUST	6	
20	J55-G6241-00-00	BELT	1	

NOTE "A": Assembly includes all parts except REF. Numbers 18 and 20 (the main bolt for the Primary Clutch assembly, and the belt).

NOTE "B": Old style Spider and Collar/Rollers are no longer available. Order Spider/Roller Kit pn JU0-G6430-00-00 to upgrade older units (serial number JU0-102248 and earlier), see Technical Bulletin G03-005. Serial number JU0-102249 and later were manufactured with NEW spider & rollers.

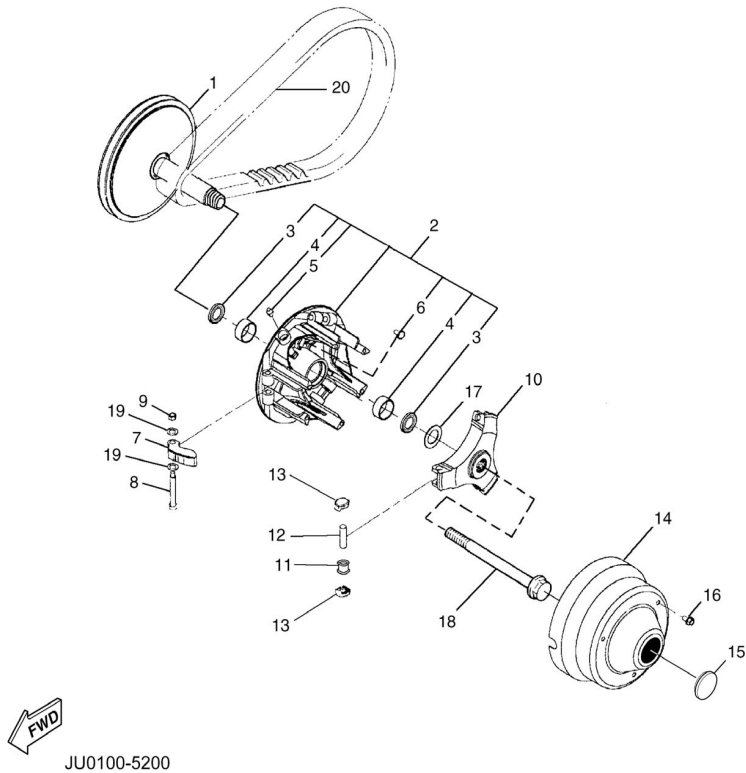


FIG. 21 PRIMARY CLUTCH

REF NO.	PART NUMBER	DESCRIPTION	QTY	REMARKS
	JN6-G6201-04-00	PRIMARY CLUTCH ASSEMBLY	1	SEE NOTE "A"
1	JN6-G6210-00-00	PRIMARY FIXED SHEAVE	1	
2	JN6-G6221-00-00	PRIMARY SLIDING SHEAVE	1	
3	93101-28831-00	. SEAL, OIL	2	
4	90384-27823-00	. BUSH, BIMETAL FORMED	2	
5	93700-06810-00	. NIPPLE, GREASE	1	
6	90338-04840-00	. PLUG	3	
7	JN6-G6232-01-00	WEIGHT, 1	3	
8	90109-06860-00	BOLT	3	
9	90185-06834-00	NUT, SELF-LOCKING	3	
10	JN6-G6251-01-00	SPIDER	1	SEE NOTE "B"
11	JN6-G6258-02-00	COLLAR, ROLLER	3	SEE NOTE "B"
12	93610-358A3-00	PIN, DOWEL	3	
13	JN6-G6253-00-00	SLIDER	6	
14	JU0-G6231-00-00	CAP	1	
15	JU0-G6297-00-00	COVER, DUST	1	
16	90105-06861-00	BOLT, FLANGE	3	
17	90201-228K5-00	WASHER, PLAIN	1	
18	JN6-G6249-00-00	BOLT	1	
19	JN6-G621F-00-00	SHIM, THRUST	6	
20	J55-G6241-00-00	BELT	1	

NOTE "A": Assembly includes all parts except REF. Numbers 18 and 20 (the main bolt for the Primary Clutch assembly and the belt.)

NOTE "B": Old style Spider and Collar/Rollers are no longer available. Order Spider/Roller Kit pn JU0-G6430-00-00 to upgrade older units (serial number JR6-300301 and earlier), see Technical Bulletin G03-005. Serial number JR6-300302 and later were manufactured with NEW spider & rollers.

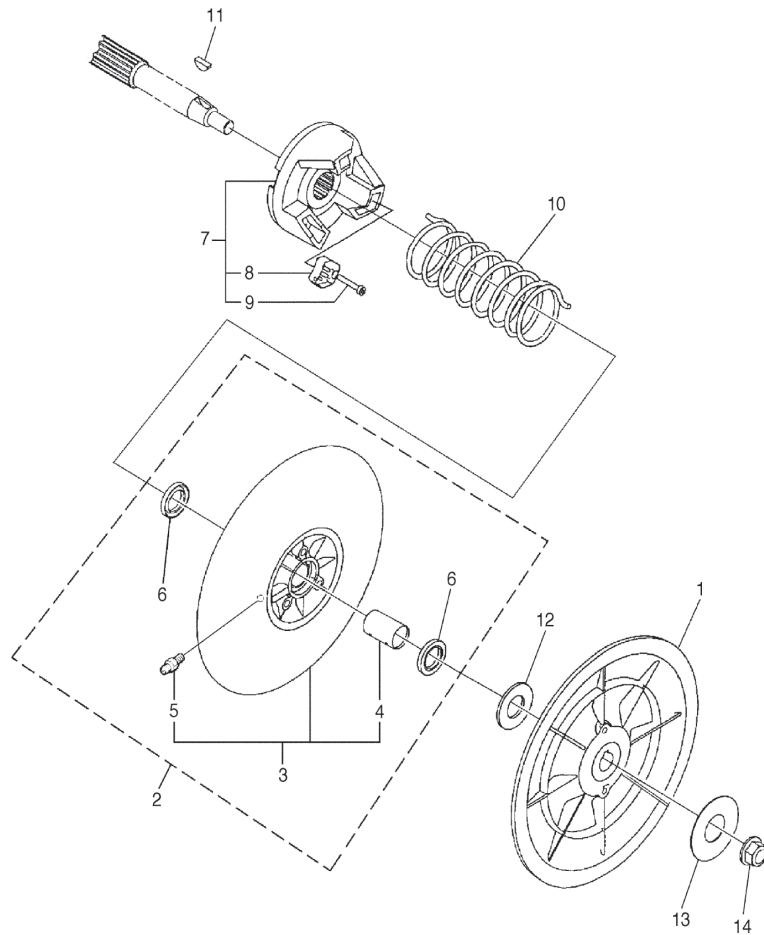


FIG. 22 SECONDARY SHEAVE

REF NO.	PART NUMBER	DESCRIPTION	QTY	REMARKS
1	JN6-G6260-00-00	SECONDARY FIXED SHEAVE	1	
2	JN6-G6270-01-KT	SECONDARY SLIDING SHEAVE KIT	1	SEE NOTE "A"
3	JN6-G6271-02-00	.SECONDARY SLIDING SHEAVE	1	
4	90384-20824-00	. .BUSHING, BIMETAL FORMED	1	
5	93700-06809-00	. .NIPPLE, GREASE	1	
6	93109-20069-00	.OIL SEAL	2	
7	JN6-G6280-00-00	SECONDARY SPRING SEAT COMP.	1	SEE NOTE "B"
8	JN6-E7688-00-00	.SHOE, RAMP	3	
9	90110-04834-00	.BOLT, HEX. SOCKET	3	
10	90508-45844-00	SPRING, TORSION	1	
11	90280-05022-00	KEY, WOODRUFF	1	L=100.5mm±1.5
12	90202-20130-00	WASHER, PLAIN	1	
13	90201-12588-00	WASHER, PLAIN	1	
14	95607-12200-00	NUT, U-FLANGE	1	

NOTE "A": Secondary sheave kit includes: secondary sliding sheave, bushing, oil seals and grease nipple.

NOTE "B": Secondary spring seat comp. Includes: secondary spring seat, shoe ramp and bolts.



JT71010-B210

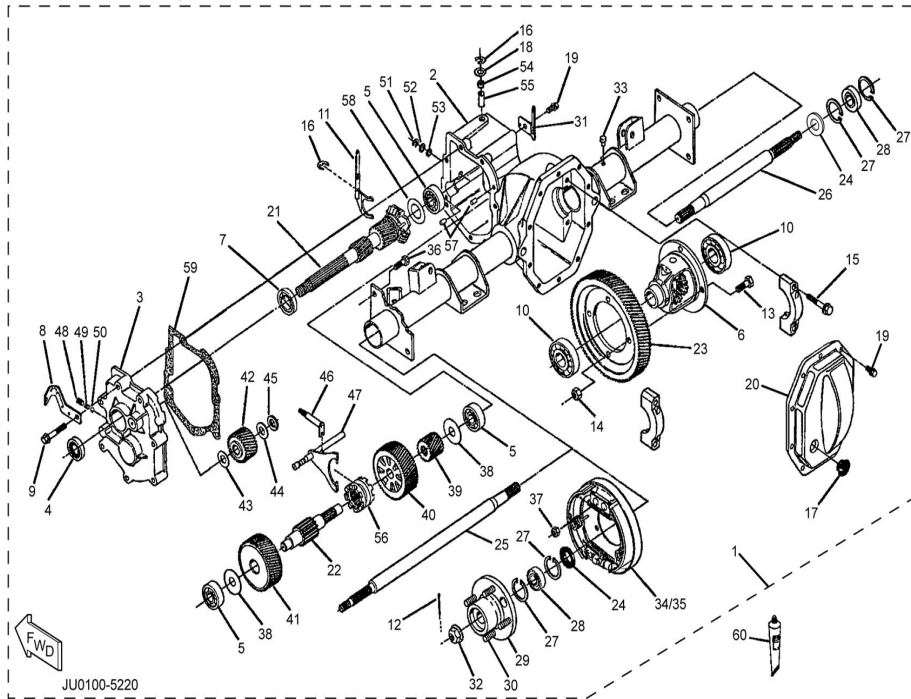


FIG. 23 TRANSMISSION 1

REF NO.	PART NUMBER	DESCRIPTION	QTY	REMARKS
1	JN6-G6300-04-00	TRANSAXLE ASSEMBLY	1	With brake plates
2	JN3-G6290-01-00	.CASE ASSY	1	
3	JN3-G6313-00-00	.COVER, TRANSMISSION	1	
4	93102-25868-00	.SEAL, OIL	1	
5	93306-303Y6-00	.BEARING	3	
6	JN6-G6410-00-00	.DIFFERENTIAL ASSY.	1	
7	93306-005Y4-00	.BEARING	1	
8	JN6-G6555-00-00	.BRACKET, 2	1	
9	90105-08859-00	.BOLT, FLANGE	7	
10	93306-007Y0-00	.BEARING	2	
11	JN3-G633E-01-00	.BAR, 1	1	
12	91490-25030-00	.PIN, SPLIT	2	
13	90101-10854-00	.BOLT, HEX.	4	
14	90170-10840-00	.NUT, HEX.	4	
15	90105-10840-00	.BOLT, FLANGE	4	
16	JU0-F722H-00-00	.RETAINER	2	
17	JN3-G6432-00-00	.STOPPER	1	
18	JU0-F723F-00-00	.WASHER, SPECIAL 1	1	
19	90101-08856-00	.BOLT, HEX.	11	
20	JN3-G6314-00-00	.COVER, TRANSMISSION 2	1	
21	JN3-G6320-01-00	.SHAFT, INPUT ASSY.	1	
22	JN3-G633G-00-00	.SHAFT	1	
23	JN3-G6355-00-00	.GEAR, PRIMARY	1	
24	93101-24822-00	.SEAL, OIL	2	
25	JN3-G6511-00-00	.SHAFT, RR. AXLE 1	1	
26	JN3-G6512-00-00	.SHAFT, RR. AXLE 2	1	
27	93420-44805-00	.CIRCLIP	4	

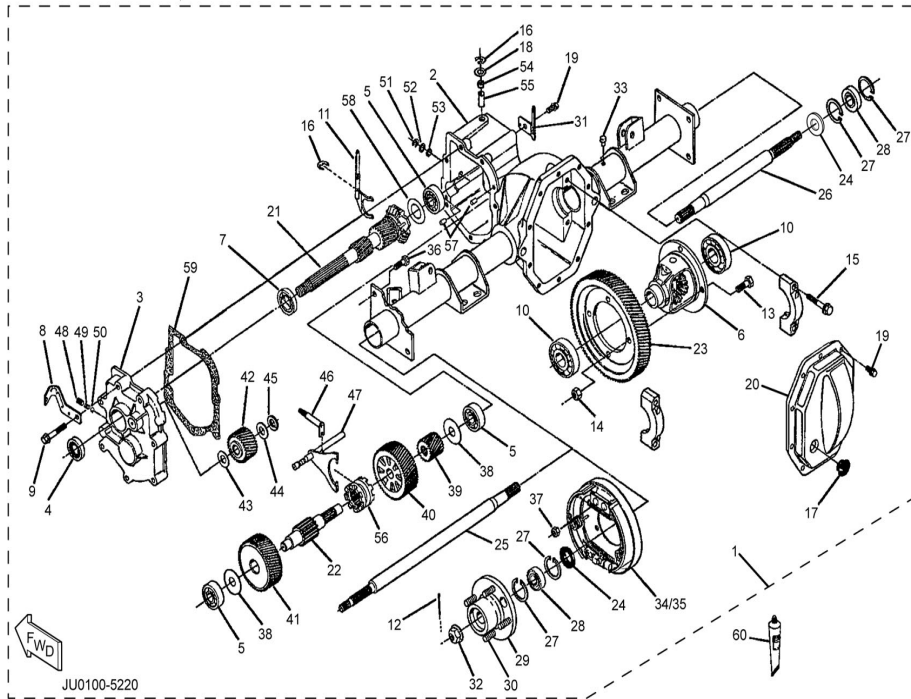


FIG. 23 TRANSMISSION 1

REF NO.	PART NUMBER	DESCRIPTION	QTY	REMARKS
28	93306-004X5-00	.BEARING	2	
29	JN3-G6514-00-00	.HUB, RR. AXLE	2	
30	90114-12804-00	.BOLT, KNURLED	8	
31	JN3-G6556-00-00	.BRACKET, 3	1	
32	90185-16833-00	.NUT, SELF-LOCKING	2	
33	JH7-G5619-00-00	.CAP	1	
34	JN6-F7290-03-00	.BACKING PLATE ASSY. LH	1	
35	JN6-F7280-03-00	.BACKING PLATE ASSY. RH	1	
36	90101-08855-00	.BOLT, HEX.	8	
37	90170-08841-00	.NUT, HEX.	8	
38	90201-178H8-00	.WASHER, PLAIN	2	
39	JN3-G6316-00-00	.GEAR, PINION 1	1	
40	JN3-G6326-00-00	.GEAR, WHEEL 1	1	
41	JN3-G6327-00-00	.GEAR, WHEEL 2	1	
42	JN3-G6356-00-00	.GEAR, IDLER	1	
43	90201-208H9-00	.WASHER, PLAIN	1	
44	90201-208J0-00	.WASHER, PLAIN	1	
45	93440-20813-00	.CIRCLIP	1	
46	JN3-G638A-00-00	.BAR, SHIFT 1	1	
47	JN6-G638E-00-00	.BAR, SHIFT 2	1	
48	90113-08803-00	.BOLT, SET	1	
49	90501-10852-00	.SPRING, COMPRESSION	1	
50	93500-06826-00	.BALL	1	
51	93410-12822-00	.CIRCLIP	1	
52	90202-12807-00	.WASHER, PLAIN	1	
53	93104-11829-00	.SEAL, OIL	1	
54	93109-10820-00	.SEAL, OIL	1	

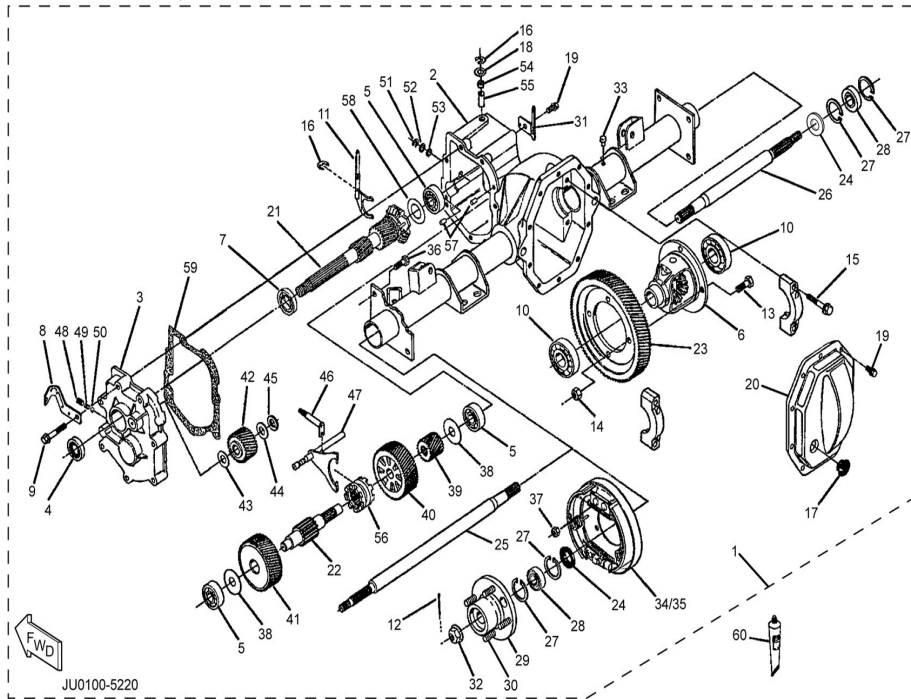
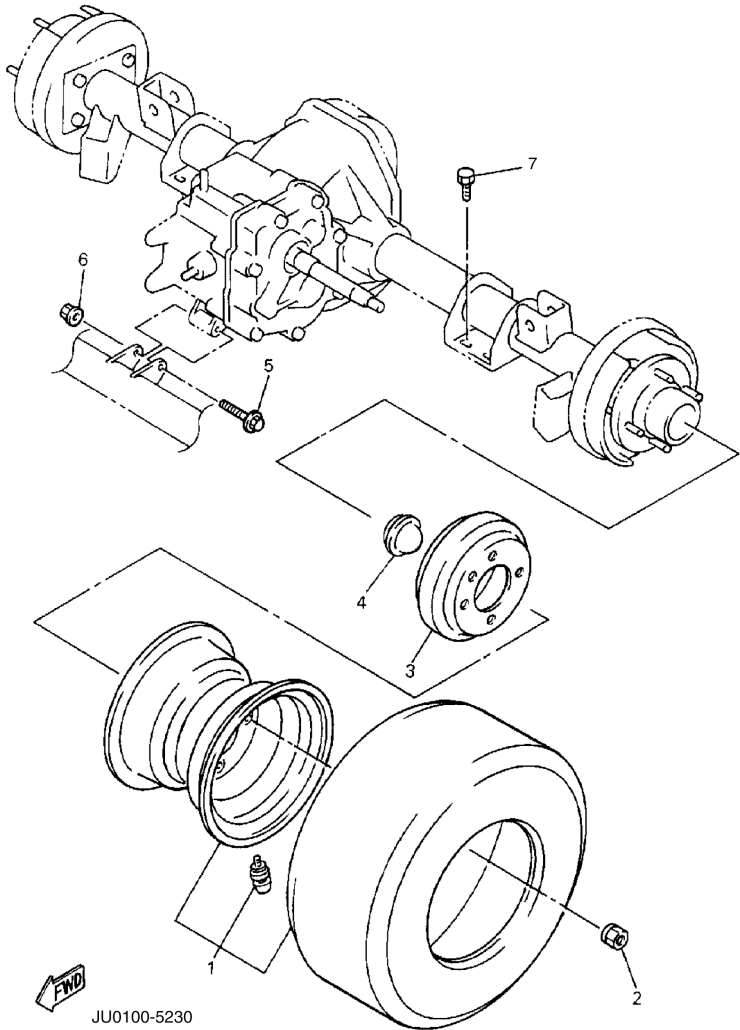


FIG. 23 TRANSMISSION 1

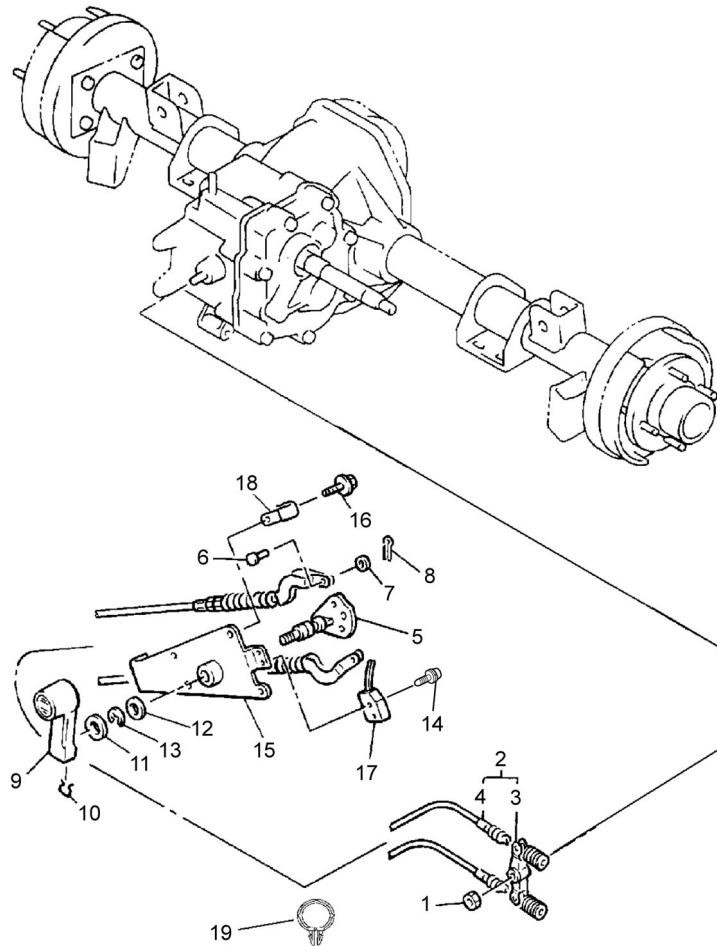
REF NO.	PART NUMBER	DESCRIPTION	QTY	REMARKS
55	JU0-G6164-00-00	.GOVERNOR BUSHING	1	
56	JN3-G6153-00-00	.COLLAR, GUIDE	1	
57	93606-10842-00	.PIN, DOWEL	2	
58	JN3-G6344-00-00	.SHIM	1	0.76mm (0.030in)
	JN3-G6344-10-00	.SHIM	1	0.90mm (0.035in)
	JN3-G6344-20-00	.SHIM	1	1.0mm (0.040in)
	JN3-G6344-30-00	.SHIM	1	1.14mm (0.045in)
	JN3-G6344-40-00	.SHIM	1	1.27mm (0.050in)
	JN3-G6344-50-00	.SHIM	1	1.39mm (0.055in)
	JN3-G6344-60-00	.SHIM	1	1.52mm (0.060in)
	JN3-G6344-70-00	.SHIM	1	1.65mm (0.065in)
	JN3-G6344-80-00	.SHIM	1	0.38mm (0.015in)
59	JN3-G6319-00-00	.GASKET	1	
60	ACC-QUICK-GS-KT	SEALANT 1	1	

FIG. 24 REAR AXLE MOUNT / WHEEL



REF NO.	PART NUMBER	DESCRIPTION	QTY	REMARKS
1	JN6-F5100-11-00	WHEEL ASSY. (KENDA TIRE)	2	
	JU0-F5100-00-00	WHEEL ASSY. (MAXXIS TIRE)	2	
2	90179-12262-00	NUT	8	
3	J55-G6521-10-00	DRUM	2	
4	JN6-F5118-00-00	COVER, HUB DUST	2	
5	9581P-08075-00	BOLT, FLANGE	1	
6	95707-08500-00	NUT, FLANGE	1	
7	9751P-10620-00	BOLT, HEX. WWASHER (7-FQA)	8	

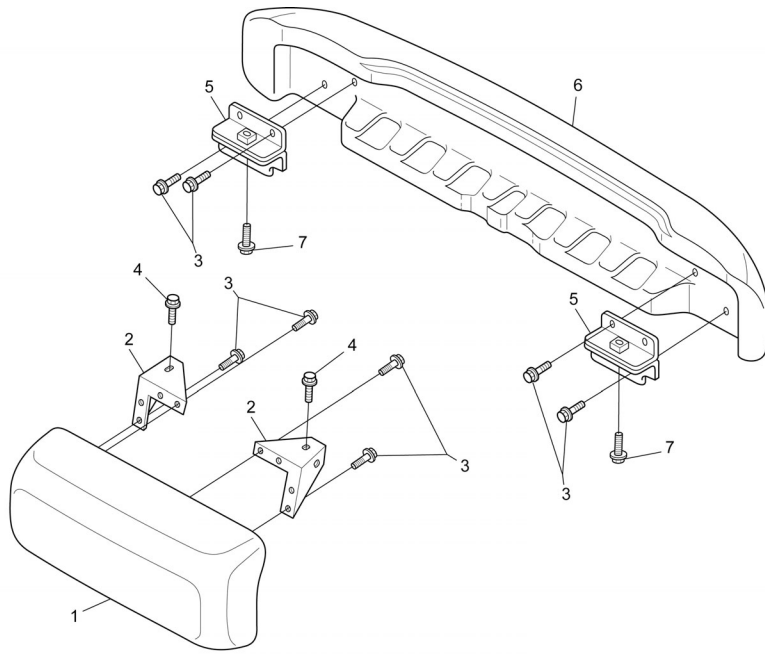
FIG. 25 SHIFTER / CABLES



JN6100-6161

REF NO.	PART NUMBER	DESCRIPTION	QTY	REMARKS
1	95617-08100-00	NUT, U	1	
2	JN3-G8330-00-00	SHIFT CABLE END ASSY.	1	
3	J55-G6383-00-00	LEVER, SHIFT 2	1	
4	JN3-G6371-00-00	WIRE, SHIFT	2	
5	JF2-46382-00-00	LEVER, SHIFT 1	1	
6	91701-06014-00	PIN, CYL. HEAD W/HOLE	2	
7	9290P-06600-00	WASHER, PLAIN (7-FQA)	2	
8	91490-20025-00	PIN, SPLIT	2	
9	JN3-G6381-00-00	KNOB, SHIFT	1	
10	JN3-G6376-00-00	SPRING SET	1	
11	90201-201L9-00	WASHER, PLAIN	1	
12	90201-19551-00	WASHER, PLAIN	1	
13	99009-19400-00	CIRCLIP (S)	1	
14	97607-04316-00	SCREW, PANHEAD W/WASHER	2	
15	JN3-G6372-00-00	BRACKET, SHIFT WIRE	1	
16	95817-06016-00	BOLT, FLANGE	4	
17	JN3-82617-01-00	SWITCH	1	
18	90465-06038-00	CLAMP	1	
19	90464-19815-00	CLAMP	1	

FIG. 26 BUMPER



REF NO.	PART NUMBER	DESCRIPTION	QTY	REMARKS
1	JN3-K7510-02-00	FRONT BUMPER COMP.	1	
2	JU0-K8164-00-00	STAY, FR. BUMPER 1	2	
3	90105-06876-00	BOLT, FLANGE	8	
4	9581P-08012-00	BOLT, FLANGE	2	
5	JN3-K8174-00-00	STAY, RR. BUMPER 1	2	
6	JN6-K7540-00-00	REAR BUMPER COMP.	1	
7	90105-10881-00	BOLT, FLANGE	2	

 JU0100-5240

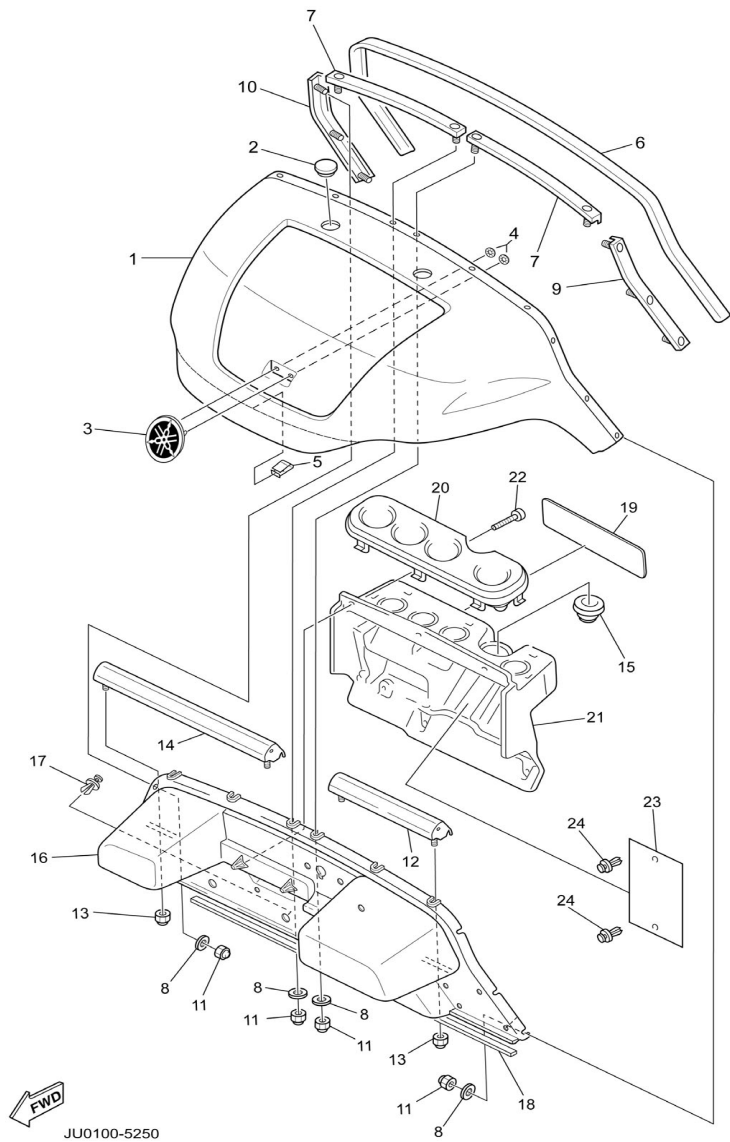
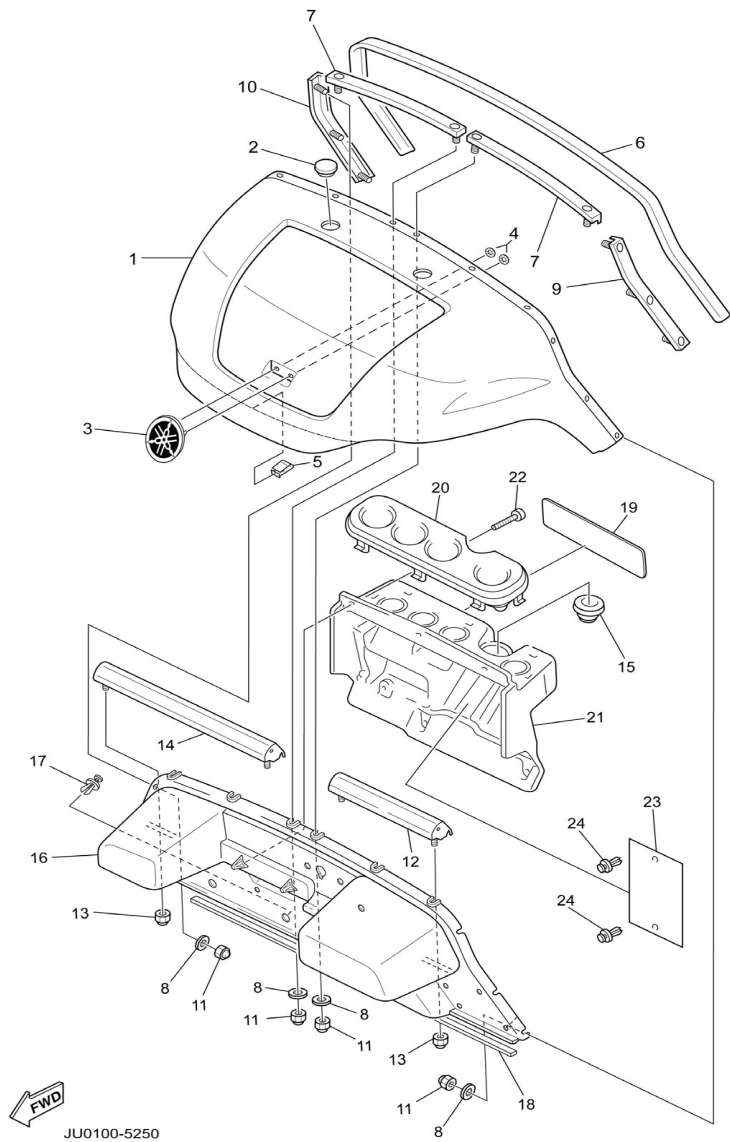


FIG. 27 BODY

REF NO.	PART NUMBER	DESCRIPTION	QTY	REMARKS
1	JU0-K8115-00-00	COWL, FRONT	1	IVORY
	JU0-K8115-30-00	COWL, FRONT	1	BURGUNDY
	JU0-K8115-50-00	COWL, FRONT	1	HUNTER GRN
	JU0-K8115-60-00	COWL, FRONT	1	CANDY APPLE RED METALLIC
	JU0-K8115-70-00	COWL, FRONT	1	BRILLIANT BLUE METALLIC
2	JN3-K818E-00-00	CAP, PROTECTOR	2	W/O SUNTOP
3	JU0-F4161-00-00	EMBLEM, 1	1	
4	JU0-K7573-00-00	NUT, SPECIAL	2	
5	JU0-F2567-00-00	CLIP, FRONT COWL	1	
6	JF2-K811V-00-00	PROTECTOR, 1	1	
7	JU0-K8261-00-00	PLATE, BODY PROTECTOR 1	2	
8	90201-06829-00	WASHER, PLAIN	10	
9	JF2-K8262-01-00	PLATE, BODY PROTECTOR 2	1	
10	JF2-K8263-01-00	PLATE, BODY PROTECTOR 3	1	
11	90185-06836-00	NUT, SELF-LOCKING	10	
12	JN6-K8264-00-00	PLATE, BODY PROTECTOR 4	1	
13	9560P-06200-00	NUT, U-FLANGE	4	
14	JN6-K8265-00-00	PLATE, BODY PROTECTOR 5	1	
15	JN3-K8273-00-00	COVER, HOLE 1	1	
16	JF2-K8114-03-00	PANEL, FRONT	1	
17	90269-08069-00	RIVET	3	
18	JN3-K815G-00-00	SEAL, FRONT STORAGE	1	
19	JN3-K7768-00-00	LABEL, WARNING 8	1	UR, FOR USA SEE NOTE "A"
	JN3-K7768-10-00	LABEL, WARNING 8	1	UR, FOR CAN SEE NOTE "A"



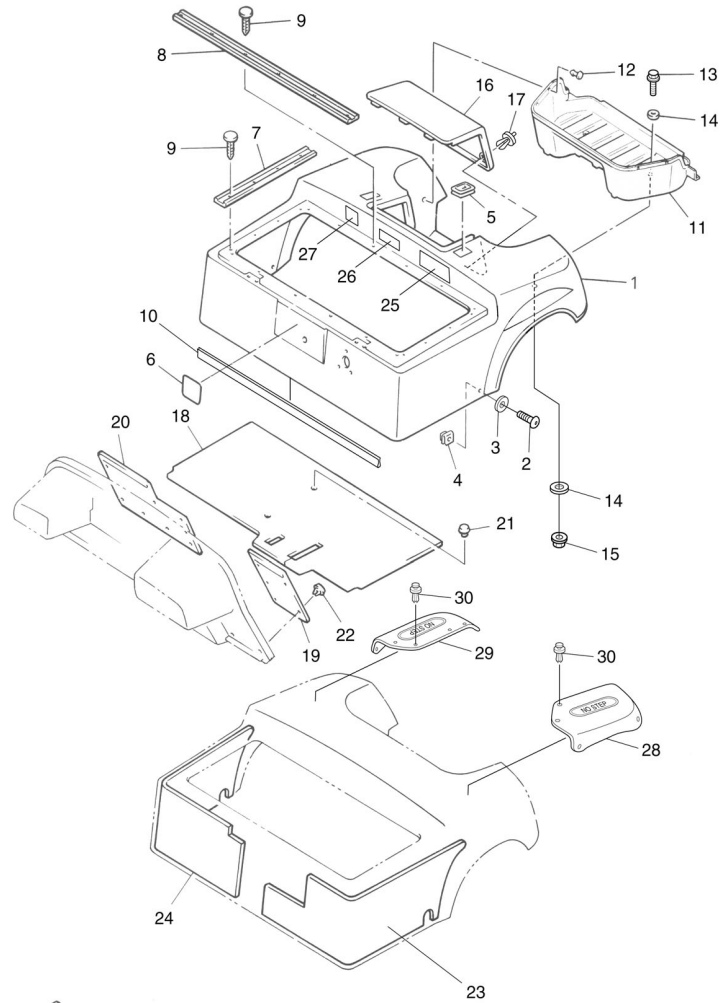
JU0100-5250

FIG. 27 BODY

REF NO.	PART NUMBER	DESCRIPTION	QTY	REMARKS
	JN3-K7768-20-00	LABEL, WARNING 8	1	UR, FOR EUR SEE NOTE "A"
20	JN6-K835E-00-00	HOLDER, BEVERAGE	1	
21	JN3-K835G-00-00	HOUSING, HOLDER	1	
22	9770P-60130-00	SCREW, PAN TAP (7-FQA)	6	
23	JN6-K8182-00-00	PLATE, 2	1	
24	90267-63047-00	RIVET, BLIND	2	

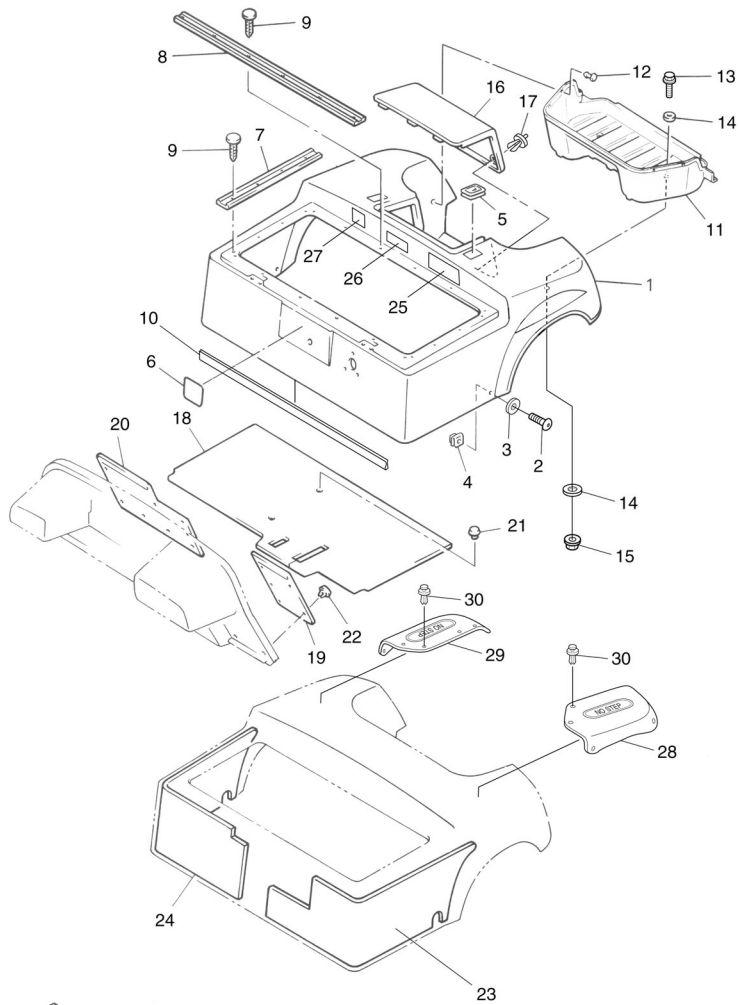
NOTE "A": When replacing "Housing Holder JN3-K835G-00-00" you should also replace "Label Warning 8 JN3-K7768-**-00".

FIG. 28 BODY 2



JU0100-5260

REF NO.	PART NUMBER	DESCRIPTION	QTY	REMARKS
1	JN6-K8142-02-00	PANEL, REAR BODY	1	IVORY SEE NOTE "A"
	JU0-K8142-32-00	PANEL, REAR BODY	1	BURGUNDY SEE NOTE "A"
	JU0-K8142-52-00	PANEL, REAR BODY	1	HUNTER GREEN SEE NOTE "A"
	JU0-K8142-62-00	PANEL, REAR BODY	1	CANDY APPLE RED METALLIC SEE NOTE "A"
	JU0-K8142-72-00	PANEL, REAR BODY	1	BRILLIANT BLUE METALLIC SEE NOTE "A"
2	90110-06200-00	BOLT, HEX. SOCKET	2	
3	90201-068H0-00	WASHER, PLAIN	2	
4	90183-06811-00	NUT, SPRING	2	
5	JN3-K8363-00-00	PROTECTOR	2	
6	JN3-K7741-00-00	INDICATOR, 1	1	SEE NOTE "A"
7	JN3-K8425-00-00	SEAL, SEAT	2	
8	JN3-K842A-00-00	SEAL, SEAT 2	2	
9	90338-05834-00	PLUG	20	
10	JN6-K824E-00-00	TRIM, REAR BODY	1	
11	JF2-K8237-00-00	COVER, REAR FLOOR	1	
12	90269-08813-00	RIVET	7	
13	90101-06876-00	BOLT, HEX HEAD W/WASHER	2	
14	90201-068G7-00	WASHER, PLAIN	4	
15	9572R-06300-00	NUT, NYLON (0-FQA)	2	
16	JU0-K8151-00-00	PANEL, INSPECTION LID OUTER	1	
17	90267-36853-00	RIVET, BLIND	2	
18	JN6-K8233-01-00	MAT, MAIN FLOOR 3	1	
19	JN6-K8231-01-00	MAT, MAIN FLOOR 1	1	
20	JN6-K8232-01-00	MAT, MAIN FLOOR 2	1	



JU0100-5260

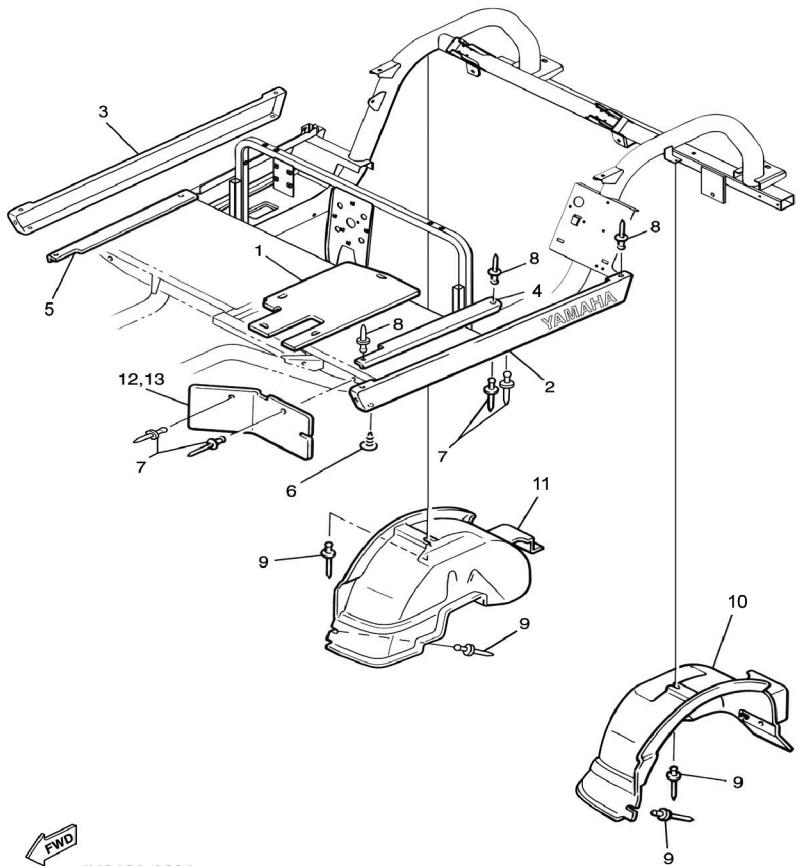
FIG. 28 BODY 2

REF NO.	PART NUMBER	DESCRIPTION	QTY	REMARKS
21	90269-08813-00	RIVET	4	
22	90267-63047-00	RIVET, BLIND	9	
23	JN6-K8251-01-00	PAD, SILENCER 1	1	
24	JN6-K8252-01-00	PAD, SILENCER 2	1	
25	JN6-H2377-00-00	LABEL	1	UR, SEE NOTE "A"
26	JN3-K8299-10-00	PLATE, CAUTION 3	1	UR, SEE NOTE "A"
27	JN3-K8297-10-00	PLATE, CAUTION 1	1	UR, SEE NOTE "A"
28	JN3-K8243-00-00	MAT, BODY SIDE LEFT	1	
29	JN3-K8244-00-00	MAT, BODY SIDE RIGHT	1	
30	90269-07810-00	RIVET	10	

NOTE "A": When replacing "Panel Rear Body JN6-K8142-02-00 or JU0-K8142-**-00" you must also replace "Indicator 1 JN3-K7741-00-00", "Label JN6-H2377-00-00", "Plate Caution 3 JN3-K8299-10-00", and "Plate Caution 1 JN3-K8297-10-00".

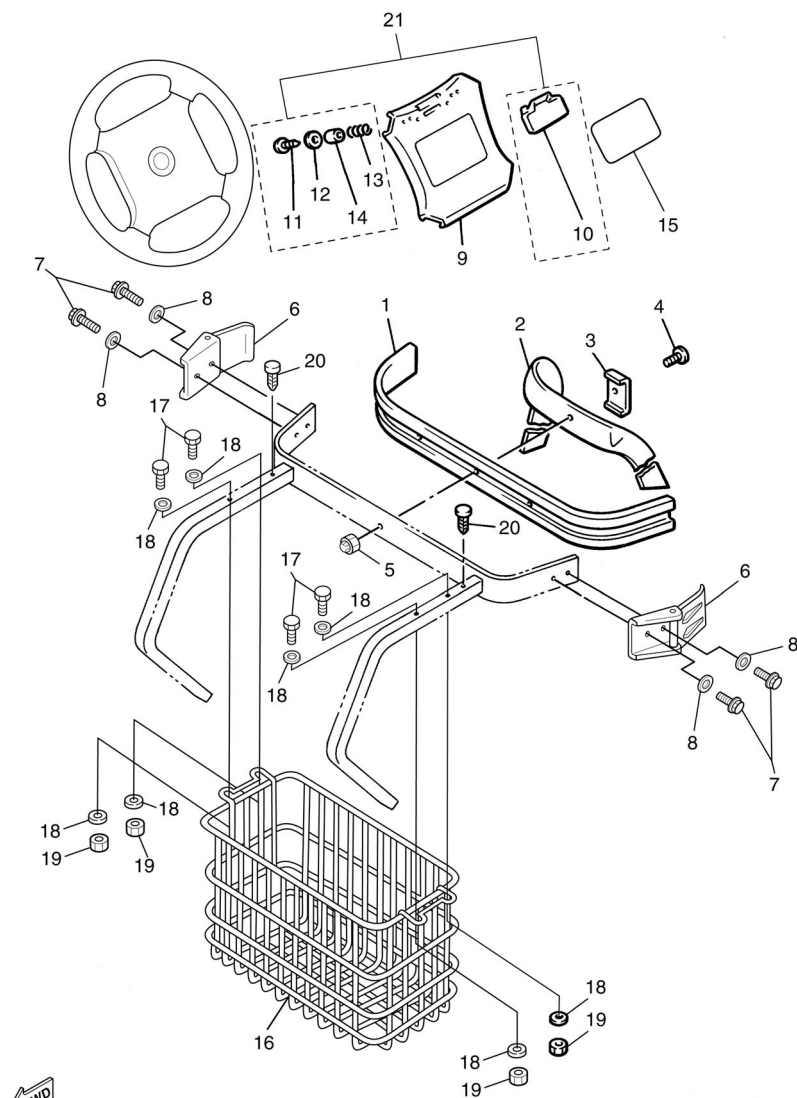
FIG. 29 BODY FITTING

REF NO.	PART NUMBER	DESCRIPTION	QTY	REMARKS
1	JN6-K8271-00-00	SERVICE LID, PEDAL	1	
2	JU0-K818A-00-00	PROTECTOR, SIDE PLATE 1	1	
3	JU0-K818B-00-00	PROTECTOR, SIDE PLATE 2	1	
4	JF2-K8215-10-00	PLATE, SIDE TRIM 1	1	
5	JF2-K821F-10-00	PLATE, SIDE TRIM 2	1	
6	90338-05829-00	PLUG	4	
7	90267-48831-00	RIVET, BLIND	8	
8	90267-48154-00	RIVET, BLIND	6	
9	90267-48086-00	RIVET, BLIND	4	
10	JF2-K8191-00-00	PANEL, REAR FENDER 1	1	
11	JF2-K8192-00-00	PANEL, REAR FENDER 2	1	
12	JF2-K8187-00-00	FLAP, FRONT FENDER LEFT	1	
13	JF2-K8189-00-00	FLAP, FRONT FENDER RIGHT	1	



JU0100-6021

FIG. 30 CARRIER



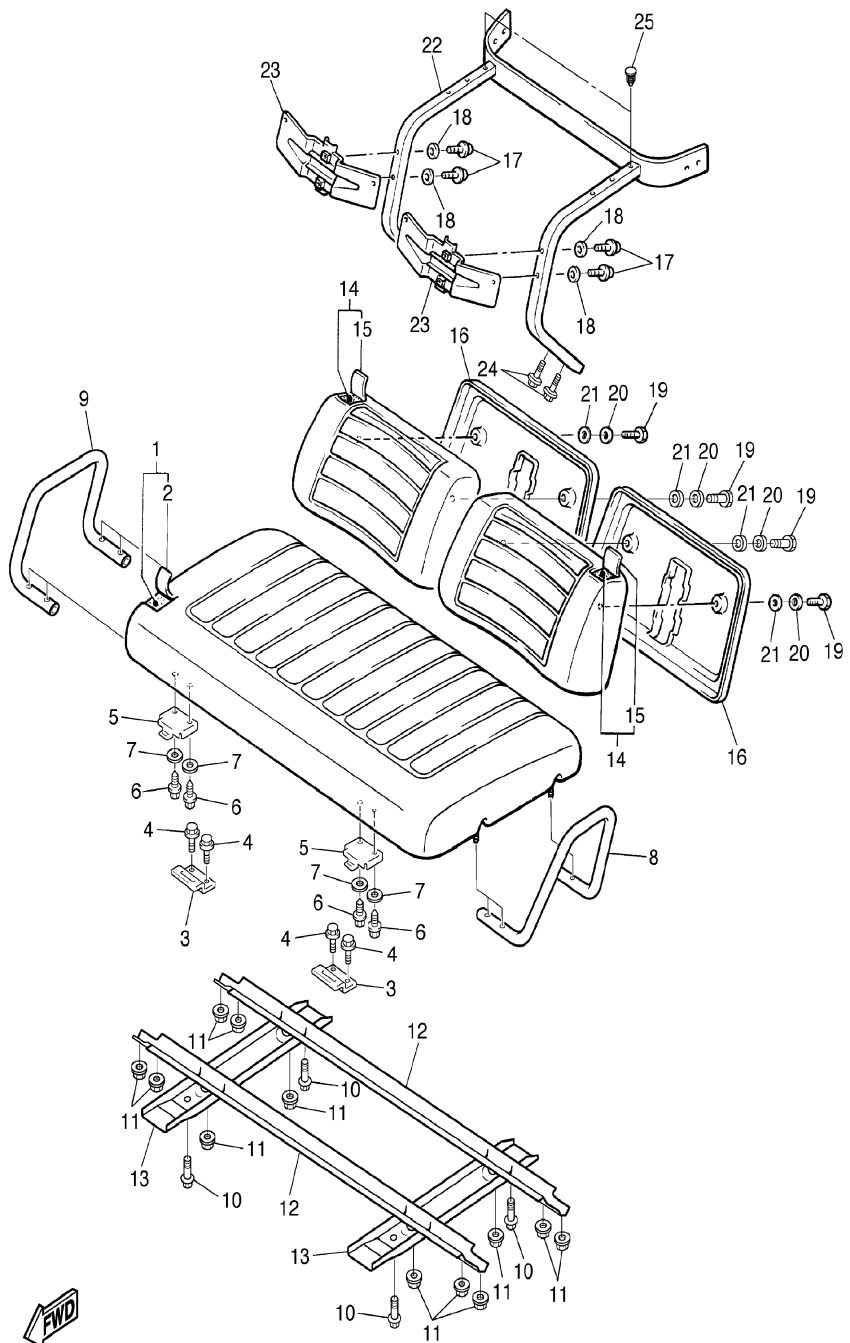
FWD
JU0100-5280

REF NO.	PART NUMBER	DESCRIPTION	QTY	REMARKS
1	JF2-K8356-00-00	PAD, BAG SUPPORT	1	
2	JN6-K8355-00-00	BAND	1	
3	J38-78367-00-00	PLATE, ANCHOR	1	
4	90101-06865-00	BOLT, HEX.	1	
5	90185-06836-00	NUT, SELF LOCKING	1	
6	JN6-K8380-00-00	LOCK ASSY.	2	
7	90159-06845-00	SCREW, WITH WASHER	4	
8	9299R-06200-00	WASHER, PLAIN (0-FQA)	4	
9	JN3-K8357-00-00	HOLDER, 1	1	SEE NOTE "A"
10	JN6-K8358-01-00	HOLDER, 2	1	
11	97707-40625-00	SCREW, PAN HEAD	2	
12	90201-044H9-00	WASHER, PLAIN	2	
13	90502-10013-00	SPRING, CONICAL	2	
14	90387-046N7-00	COLLAR	2	
15	JU0-K7762-00-00	LABEL, WARNING 2	1	UR, FOR USA SEE NOTE "A"
	JU0-K7762-10-00	LABEL, WARNING 2	1	UR, FOR CAN SEE NOTE "A"
	JU0-K7762-20-00	LABEL, WARNING 2	1	UR, FOR EUR SEE NOTE "A"
16	JN6-K8340-00-00	SWEATER BASKET	1	
17	90111-08803-00	BOLT, HEX. SOCKET BUTTON	4	
18	90201-088R9-00	WASHER, PLAIN	8	
19	90185-08832-00	NUT, SELF-LOCKING	2	
20	90338-09828-00	PLUG	2	
21	JN6-W001D-00-00	SCORECARD HOLDER KIT	1	SEE NOTE "B"

NOTE "A": When replacing "Holder 1 JN3-K8357-00-00" you must also replace "Label Warning 2 JU0-K7762-**-00".

NOTE "B": Includes 10, 11, 12, 13, 14

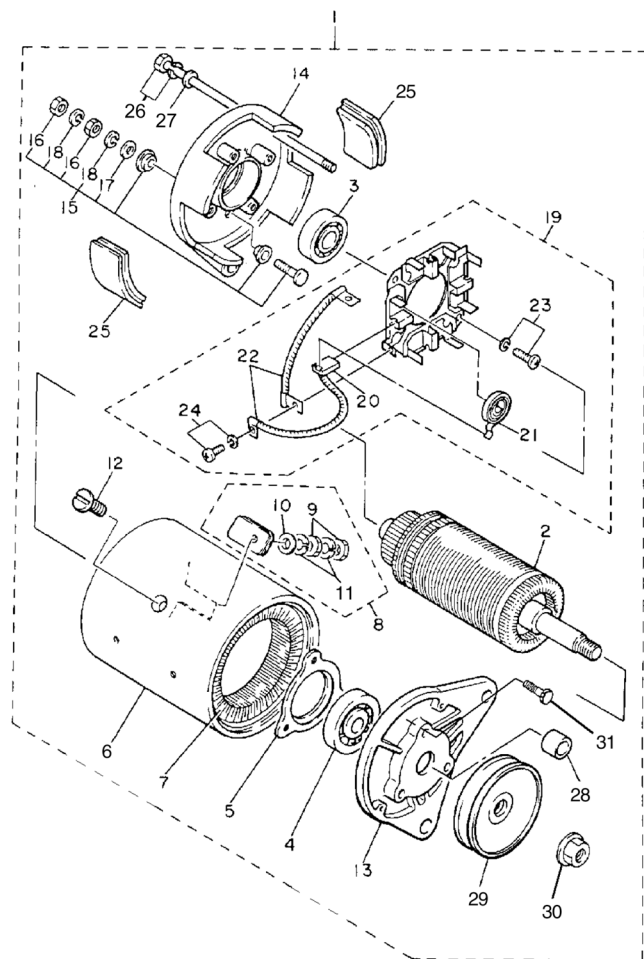
FIG. 31 SEAT



REF. NO.	PART NUMBER	DESCRIPTION	QTY	REMARKS
1	JN6-K8401-10-00	SEAT SUB-ASSY, CUSHION	1	UR IVORY WHITE
	JU0-K8401-00-00	SEAT SUB-ASSY, CUSHION	1	UR TAN
2	JN6-K8404-10-00	. COVER, SEAT	1	UR IVORY WHITE
	JU0-K8404-00-00	. COVER, SEAT	1	UR TAN
3	JF2-K8427-00-00	HINGE, SEAT 2	2	
4	90105-06903-00	BOLT, FLANGE	4	
5	JN3-K8426-01-00	HINGE, SEAT 1	2	
6	90111-06810-00	BOLT	4	
7	90204-06807-00	WASHER, SPRING	4	
8	JN6-K8361-00-00	ARM REST 1	1	
9	JU0-K8362-00-00	ARM REST 2	1	
10	90167-04815-00	SCREW, TAPPING	4	
11	9560P-08200-00	NUT	12	
12	JN6-K8121-00-00	REINFORCEMENT 1	2	
13	JN6-K8122-02-00	REINFORCEMENT 2	2	
14	JN3-K8402-00-00	SEAT SUB ASSY, BACK	2	UR IVORY WHITE
	JU0-K8402-00-00	SEAT SUB ASSY, BACK	2	UR TAN
15	JN3-K841G-09-00	. COVER, SEAT BACK 2	1	UR IVORY WHITE
	JU0-K841G-09-00	. COVER, SEAT BACK 2	1	UR TAN
16	JN3-K8413-00-00	COVER, SEAT BACK	2	
17	90119-08820-00	BOLT, WITH WASHER	4	
18	90201-098J4-00	WASHER, PLATE	4	
19	95880-06025-00	BOLT, FLANGE	4	
20	90201-068G0-00	WASHER, PLATE	4	
21	90201-068G6-00	WASHER, PLATE	4	
22	JU0-K8423-00-00	SUPPORT, SEAT BACK	1	
23	JN3-K842H-00-00	RETAINER, SEAT	2	
24	90105-08871-00	BOLT, FLANGE	4	
25	90338-09828-00	PLUG	2	



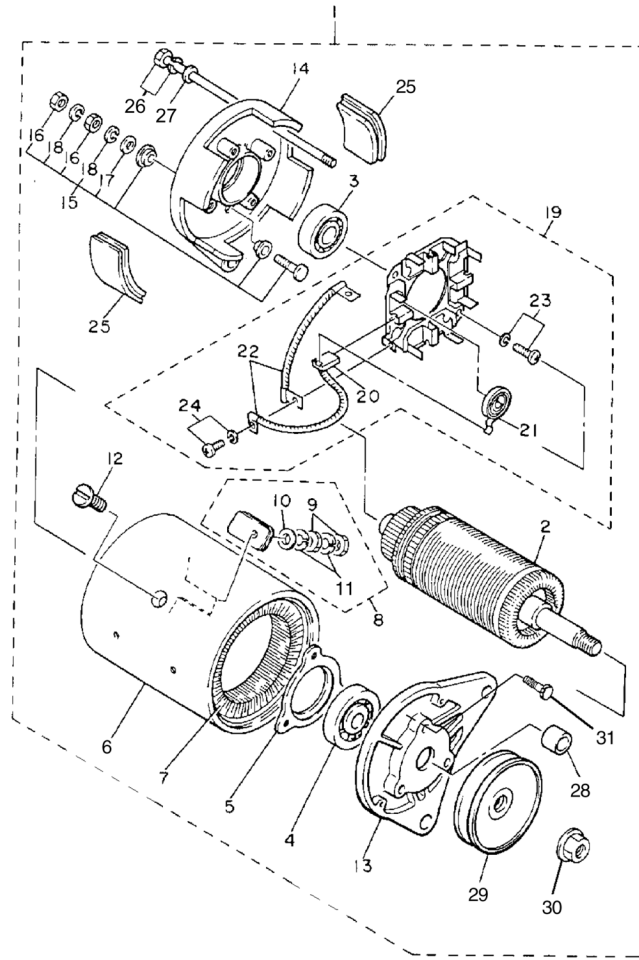
FIG. 32 STARTER GENERATOR



JN6100-6233

REF NO.	PART NUMBER	DESCRIPTION	QTY	REMARKS
1	JN6-H1100-02-00	STARTER GENERATOR	1	
2	JN3-H1150-00-00	.ARMATURE ASSY	1	
3	93306-20226-00	.BEARING 1 (6202 SD)	1	
4	J10-81158-10-00	.BEARING 2 (6203 SD)	1	
5	J10-81159-10-00	.HOLDER, BEARING	1	
6	JN6-H1110-10-00	.STATOR ASSY	1	
7	JN6-H1160-10-00	.FIELD COIL ASSY	1	
8	J10-81148-10-00	.SCREW 4	2	
9	95380-06600-00	.NUT	4	
10	92990-06600-00	.WASHER, WAVE	2	
11	92995-06100-00	.WASHER, WAVE	4	
12	J10-81146-10-00	.SCREW 2	4	
13	J38-81165-10-00	.BRACKET, STARTER GENERATOR 1	1	
14	J10-81166-10-00	.BRACKET, STARTER GENERATOR 2	1	
15	J10-81147-10-00	.SCREW 3	2	
16	95380-06600-00	.NUT	4	
17	92990-06600-00	.WASHER, WAVE	2	
18	92995-06100-00	.WASHER, WAVE	4	
19	JN6-H1119-00-00	.BRUSH HOLDER ASSY	1	
20	JF2-81111-00-00	.BRUSH	4	
21	JN6-H1113-00-00	.SPRING, BRUSH	4	
22	J10-81115-10-00	.WIRE, LEAD	2	
23	98507-05016-00	.SCREW, PAN HEAD	2	
24	98580-04010-00	.SCREW, PAN HEAD	4	
25	J10-81129-10-00	.COVER, BRUSH	4	
26	J10-81145-10-00	.SCREW 1	2	
27	92990-06600-00	.WASHER, PLAIN	2	

FIG. 32 STARTER GENERATOR



REF NO.	PART NUMBER	DESCRIPTION	QTY	REMARKS
28	JN3-H1661-00-00	.SPACER	1	
29	JN3-H1161-00-00	.PULLEY	2	
30	90179-16889-00	.NUT, FLANGE	1	
31	98507-05018-00	.SCREW	3	



JN6100-6233

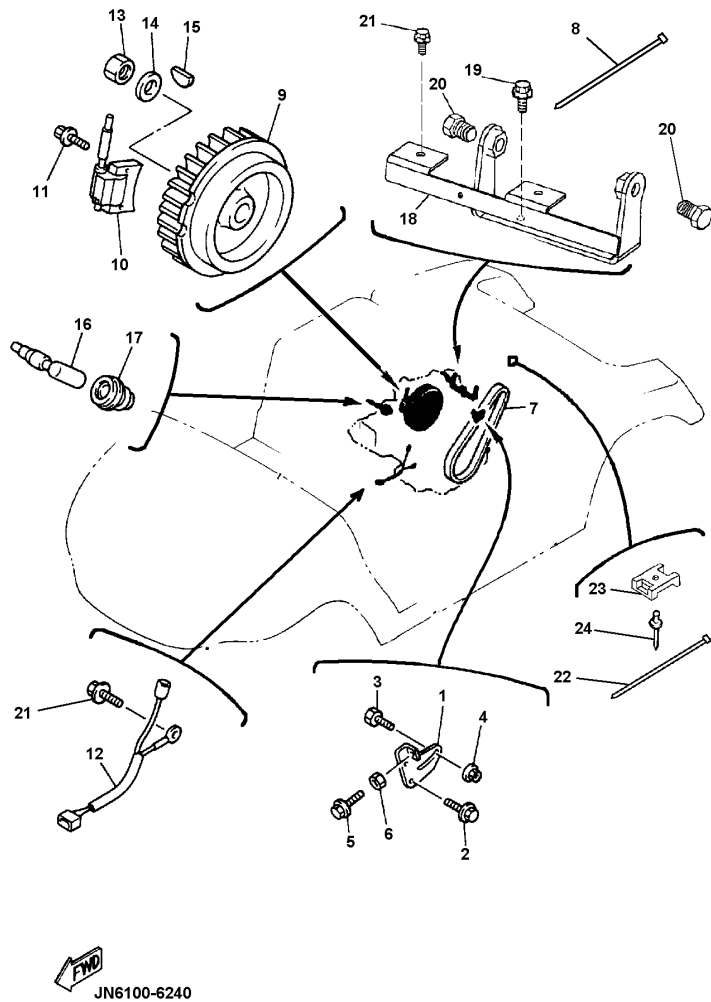
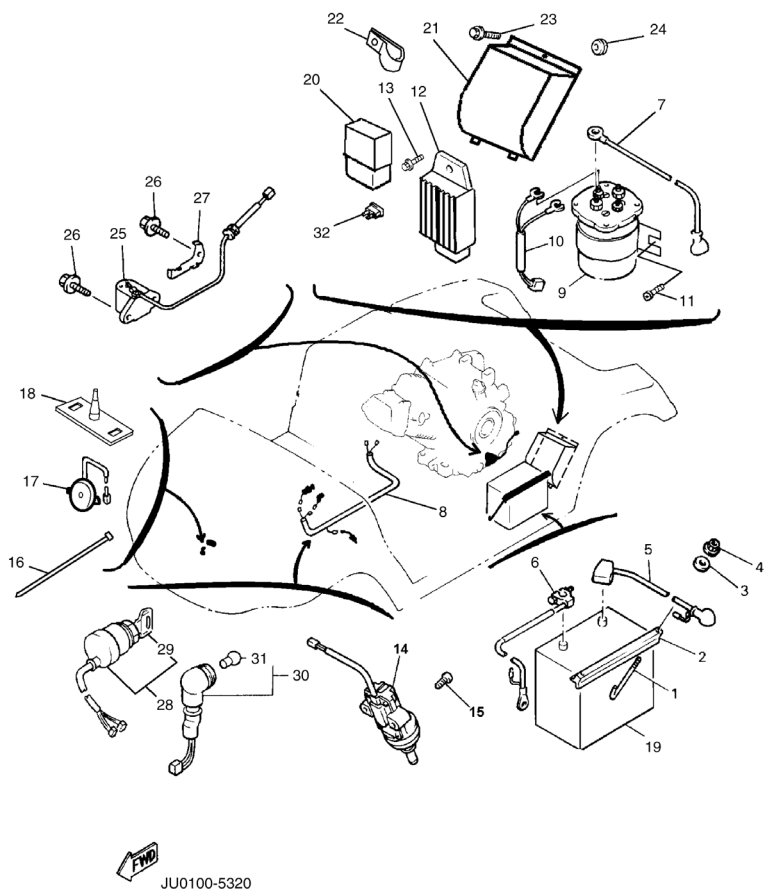


FIG. 33 ELECTRICAL 1

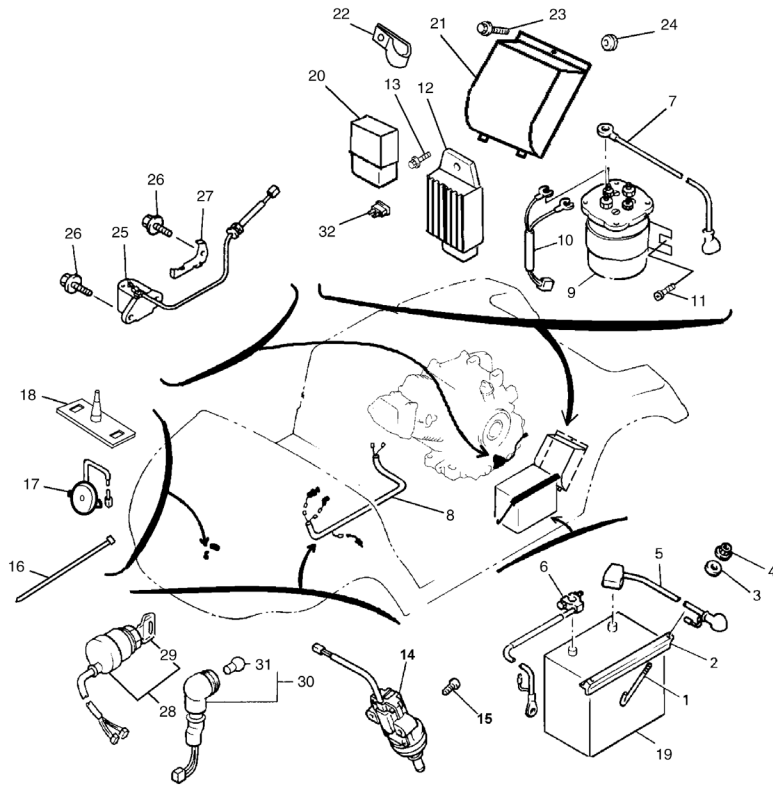
REF NO.	PART NUMBER	DESCRIPTION	QTY	REMARKS
1	JN6-H1170-00-00	TENSIONER ASSY	1	
2	9582P-08020-00	BOLT, FLANGE	2	
3	90109-08875-00	BOLT	1	
4	95707-08500-00	NUT, FLANGE	1	
5	90101-06478-00	BOLT, HEX.	1	
6	95317-06600-00	NUT, HEX.	1	
7	JN6-H1173-00-00	BELT	1	
8	90464-09823-00	CLAMP	1	
9	JR7-85650-00-00	ROTOR ASSY.	1	
10	JN6-85640-01-00	T.C.I. UNIT	1	
11	95817-06025-00	BOLT, FLANGE	2	
12	JN6-82318-00-00	WIRE, SUB-LEAD	1	
13	95307-18600-00	NUT, HEX.	1	
14	90201-18620-00	WASHER, PLAIN	1	
15	90280-04052-00	KEY, WOODRUFF	1	
16	JN6-82370-00-00	PLUG CAP ASSY	1	
17	JE8-82372-00-00	SEAL, PLUG CAP	1	
18	JN6-H1171-00-00	BRACKET, STARTER GENERATOR	1	
19	9582P-08020-00	BOLT, FLANGE	2	
20	9581P-12025-00	BOLT, FLANGE	2	
21	95817-06016-00	BOLT, FLANGE	3	
22	90464-40825-00	CLAMP	3	
23	90207-05800-00	WASHER, FINISH	1	
24	90267-489U9-00	RIVET	1	

FIG. 34 ELECTRICAL 2



REF NO.	PART NUMBER	DESCRIPTION	QTY	REMARKS
1	JN3-H2133-00-00	SCREW, FITTING	2	
2	J55-H2136-00-00	PLATE, BATTERY FITTING	1	
3	9290P-06200-00	WASHER, PLAIN (7-FQA)	2	
4	95707-06500-00	NUT, FLANGE	2	
5	JN6-H2115-01-00	WIRE, PLUS LEAD	1	
6	JN6-H2116-01-00	WIRE, MINUS LEAD	1	
7	JN6-H2117-00-00	WIRE, LEAD	1	
8	JN6-H2590-01-00	WIRE HARNESS	1	WITH #32 FUSE
9	JR3-H1950-00-00	RELAY ASSY.	1	
10	JN6-H2105-00-00	HARNESS, WIRE	1	
11	90163-06005-00	SCREW, HEX. T	2	
12	JF2-81910-01-00	VOLTAGE REGULATOR	1	
13	90105-06876-00	BOLT, FLANGE	1	
14	JF7-82817-20-00	SWITCH, ACCELERATOR STOP	1	
15	97607-05325-00	SCREW, PAN HEAD W/WASHER	2	
16	90464-31827-00	CLAMP	4	
17	JR1-H3383-01-00	BUZZER	1	
18	JN6-H3386-01-00	STAY, BUZZER	1	
19	*	BATTERY ASSY, 12V GROUP 24	1	Obtain Locally, (CCA: minimum 400A)
20	4U8-81950-02-00	RELAY ASSY.	1	
21	JN6-H1942-00-00	COVER	1	
22	90461-16802-00	CLAMP	1	
23	90105-06876-00	BOLT, FLANGE	2	
24	90480-25856-00	GROMMET	1	
25	JN6-85720-12-00	OIL LEVEL GAUGE	1	
26	95817-06012-00	BOLT, FLANGE	4	
27	JN6-85724-00-00	CLAMP, OIL LEVEL	1	

FIG. 34 ELECTRICAL 2

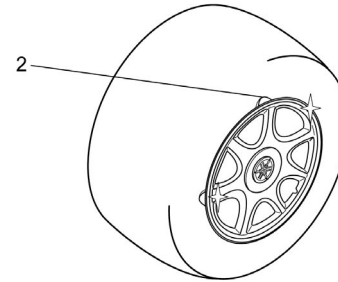
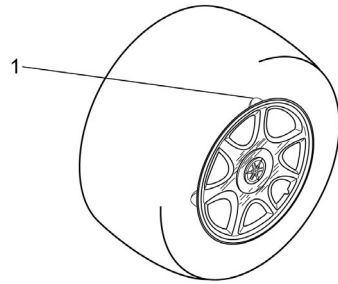


 JU0100-5320

REF NO.	PART NUMBER	DESCRIPTION	QTY	REMARKS
28	JN8-82510-02-00	MAIN SWITCH ASSY.	1	
	JN8-82510-09-00	MAIN SWITCH ASSY. , RANDOM KEY	1	AP
29	J44-82511-00-YY	KEY, MAIN SWITCH	1	For Std Main Switch Only
30	JN6-83530-00-00	PILOT LAMP ASSY.	1	
31	123-83516-21-XX	.BULB, (12V-3.4W)	1	US Market Only
32	JN6-H2151-00-00	FUSE (10A-BLADE)	1	

FIG. 35 OPTIONAL HUB CAPS

REF NO.	PART NUMBER	DESCRIPTION	QTY	REMARKS
1	JN6-F512M-C0-00	HUB-CAP, CHROME	4	Comes with clips
2	JN6-F512M-SM-00	HUB-CAP, BRUSHED ALUMINUM	4	Comes with clips

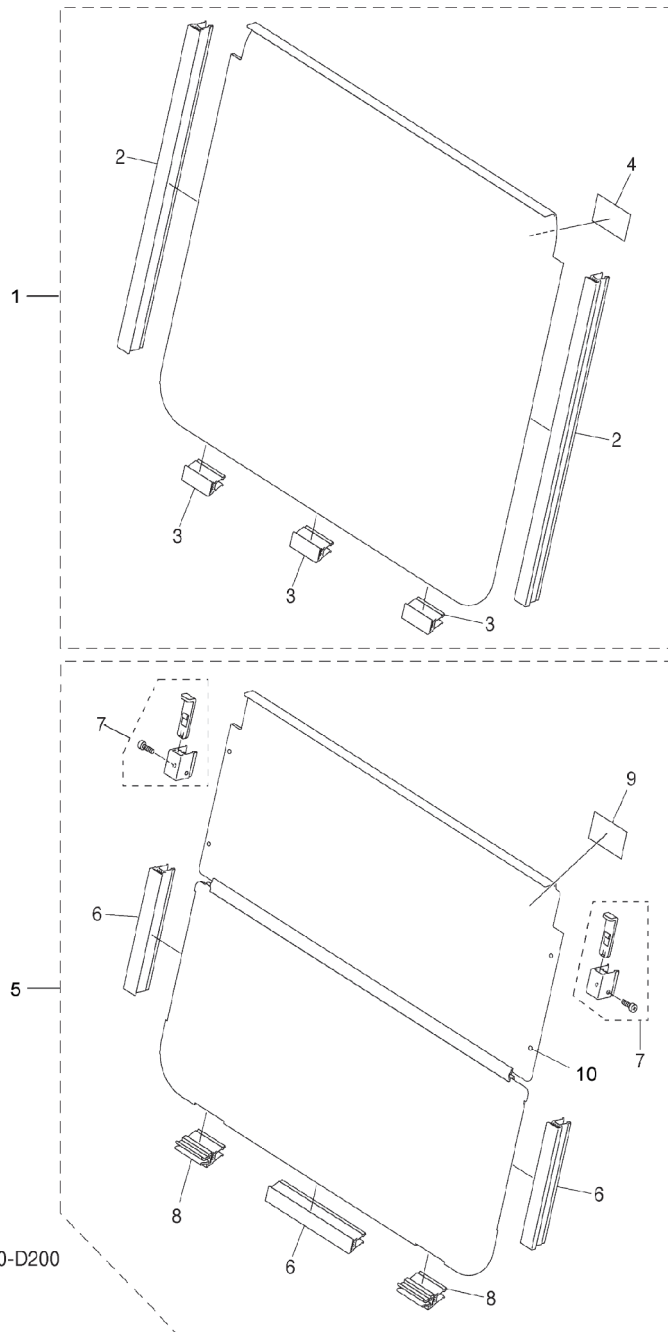


JU0100-5340

FIG. 36 OPTIONAL WINDSHIELD

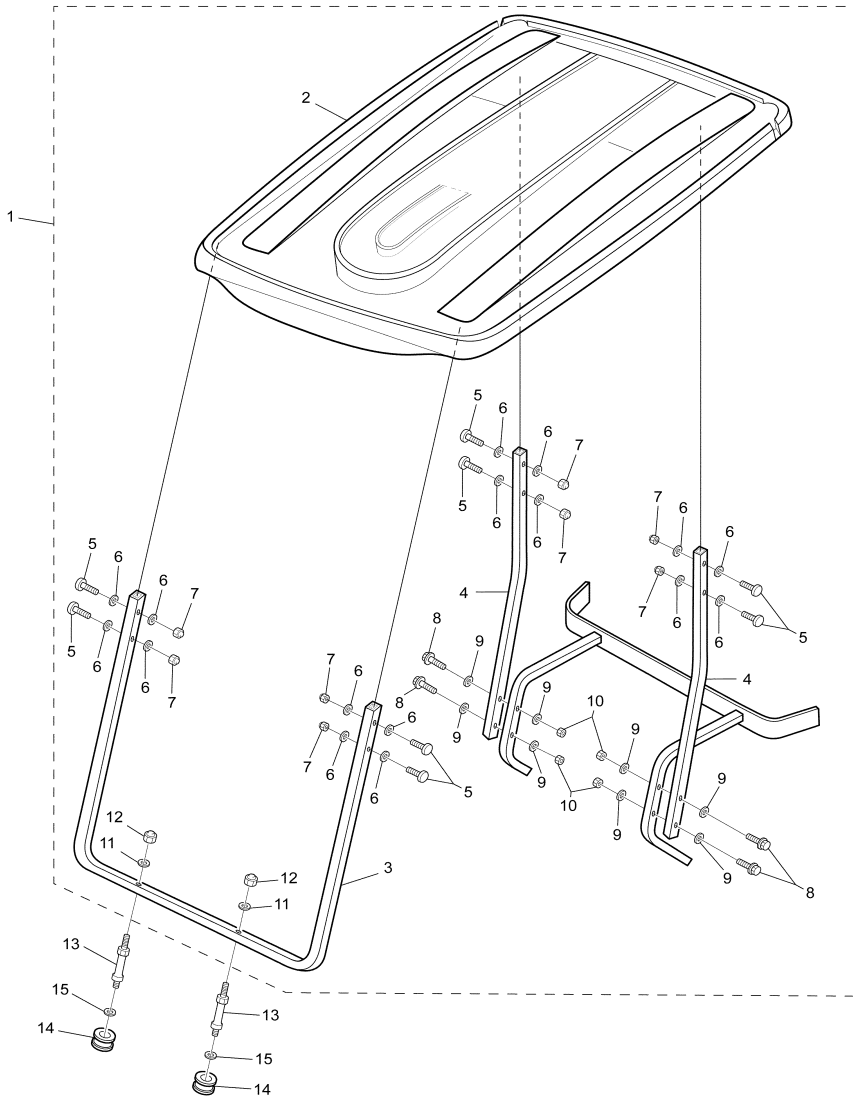
REF. NO.	PART NUMBER	DESCRIPTION	REMARKS
----------	-------------	-------------	---------

1	JU0-K7200-03-00	WINDSHIELD ASSY, SOLID (CLEAR)	1 UR AP
	JU0-K7200-13-00	WINDSHIELD ASSY, SOLID (TINTED)	1 UR AP
2	JU0-K838A-20-00	. RETAINER 1	2
3	JU0-K838A-10-00	. RETAINER 1	3
4	JU0-K7458-00-00	. LABEL, WARNING	1
5	JU0-K7200-22-00	WINDSHIELD ASSY, HINGED (CLEAR)	1 UR AP
	JU0-K7200-32-00	WINDSHIELD ASSY, HINGED (SMOKE)	1 UR AP
6	JU0-K838B-00-00	. RETAINER 2	3
7	GCA-WSUPP-ER-KT	. UPPER, LATCH 2	1
8	JU0-K7222-01-00	. BRACKET, WINDSHIELD (R.H.)	2
9	JU0-K7458-00-00	. LABEL, WARNING	1
10	JN3-K7238-00-00	. DAMPER, WINDSHIELD	4



FWD
JU22100-D200

FIG. 37 OPTIONAL SUN ROOF

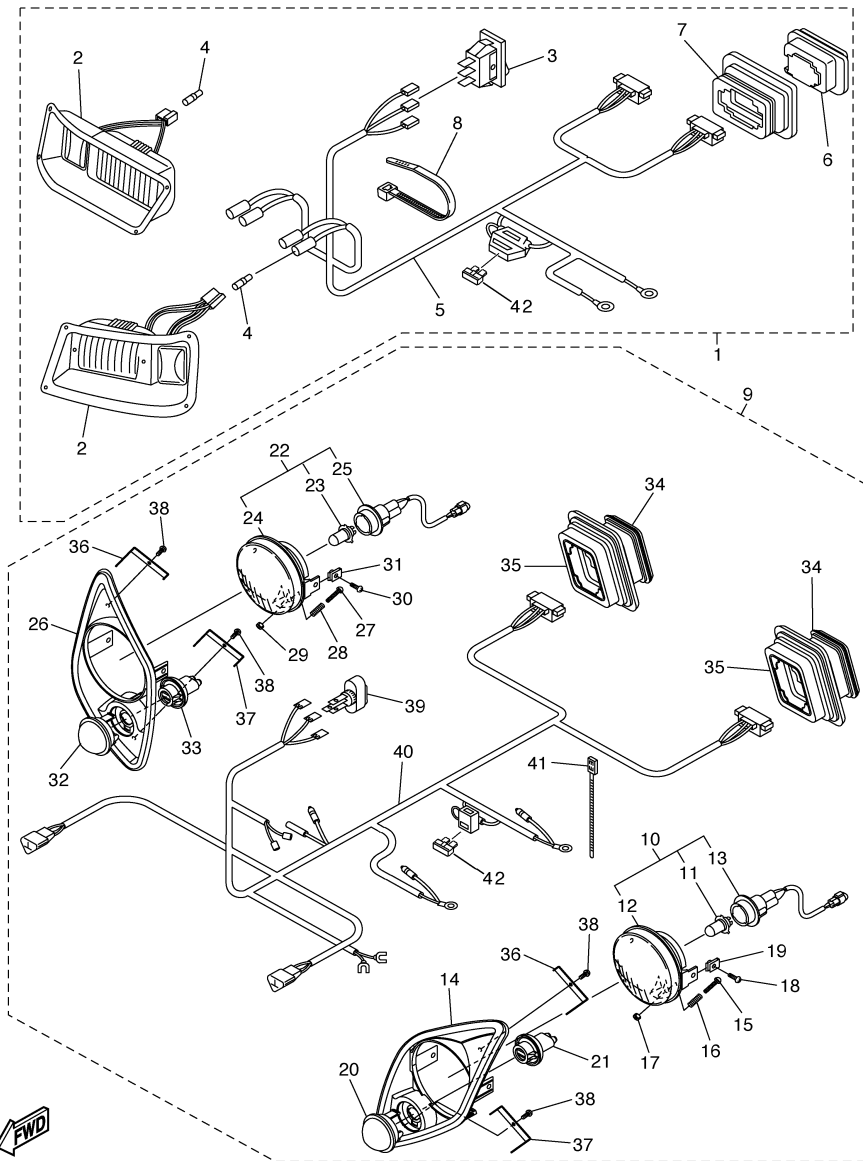


REF. NO.	PARTNUMBER	DESCRIPTION	QTY	REMARKS
1	JU0-K8310-00-00	SUN ROOF ASSY	1	UR IVORY
	JU0-K8310-10-00	SUN ROOF ASSY	1	UR TAN
2	JU0-K8314-00-00	. COVER, SUN ROOF	1	UR IVORY
	JU0-K8314-10-00	. COVER, SUN ROOF	1	UR TAN
3	JU0-K8312-01-00	. SUPPORT, SUN ROOF 1	1	
4	JU0-K8313-01-00	. SUPPORT, SUN ROOF 2	2	
5	JU0-K8388-00-00	. BOLT, ROOF 1	8	
6	90201-088T2-00	. WASHER, PLATE	16	
7	JU0-K8398-00-00	. NUT, ROOF 1	8	
8	90101-22864-00	. BOLT	4	
9	90201-088J3-00	. WASHER, PLATE	8	
10	90185-12835-00	. NUT, SELF-LOCKING	4	
11	90201-098J4-00	. WASHER, PLATE	2	
12	90176-08801-00	. NUT, CROWN	2	
13	JU0-K834A-00-00	. REINF., HOLDER	2	FOR SUN ROOF
14	JN3-K832F-00-00	. GROMMET, ROOF SUPPORT	2	FOR SUN ROOF
15	90201-11800-00	. WASHER, PLATE	2	FOR SUN ROOF

JU0100-5370

FIG. 38 OPTIONAL LIGHT KIT

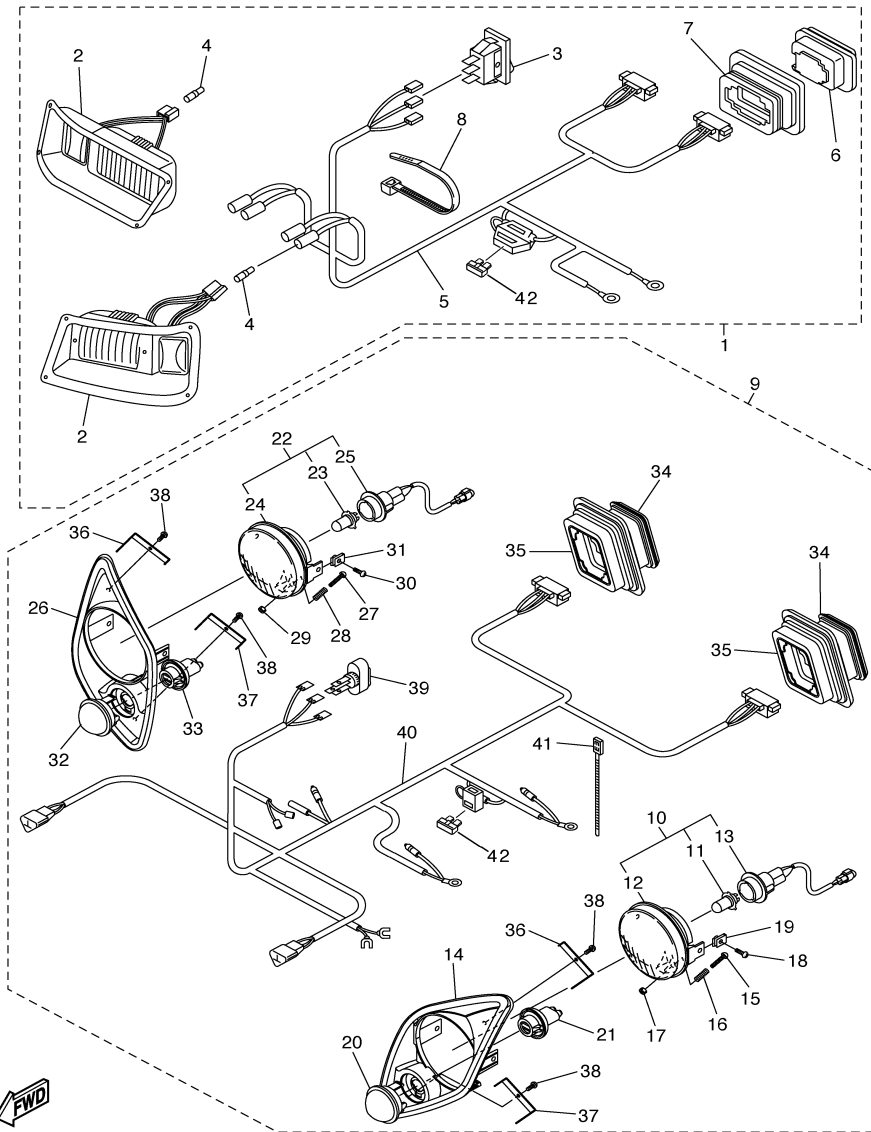
Ref. No.	Part Number	Description	Qty	Remarks
1	JN6-H430A-20-00	HEADLIGHT UNIT ASSY	1	UR
2	JN3-H4303-20-00	HEADLIGHT UNIT ASSY	2	
3	JN3-H3976-20-00	SWITCH, HANDLE 1	1	
4	9E212-10401-00	TERMINAL	2	
5	JN6-H4159-00-00	CORD, HEADLIGHT	1	
6	JU5-H4700-00-00	TAILLIGHT ASSY	2	
7	JU5-H4718-00-00	GROMMET	2	
8	90464-40800-00	CLAMP	20	
9	JU0-H430A-00-00	HEADLIGHT UNIT ASSY	1	UR
10	5FU-H4300-00-00	HEADLIGHT ASSY	1	
11	5FU-H4314-00-00	BULB, HEADLIGHT (12V-30/30W)	1	
12	5FU-H4320-00-00	LENS ASSY	1	
13	5FU-H4340-00-00	SOCKET CORD ASSY 1	1	
14	JU7-H411T-01-00	HOLDER, 1	1	
15	98507-03540-00	SCREW, PAN HEAD	1	
16	90501-10060-00	SPRING, SCREW	1	
17	2GU-84334-00-00	NUT, ADJUSTING	1	
18	90150-05802-00	SCREW, ROUND HEAD	2	
19	90183-05008-00	NUT, SPRING	2	
20	JU7-H5415-00-00	MARK, SIGNAL LAMP	1	
21	JU7-H3547-00-00	COVER, SOCKET	1	
22	5FU-H4300-00-00	HEADLIGHT ASSY	1	
23	5FU-H4314-00-00	BULB, HEADLIGHT (12V-30/30W)	1	
24	5FU-H4320-00-00	LENS ASSY	1	
25	5FU-H4340-00-00	SOCKET CORD ASSY 1	1	
26	JU7-H411U-01-00	HOLDER, 2	1	
27	98507-03540-00	SCREW, PAN HEAD	1	
28	90501-10060-00	SPRING, SCREW	1	
29	2GU-84334-00-00	NUT, ADJUSTING	1	



JU02100-D370

FIG. 38 OPTIONAL LIGHT KIT

Ref. No.	Part Number	Description	Qty	Remarks
30	90150-05802-00	. SCREW, ROUND HEAD	2	
31	90183-05008-00	. NUT, SPRING	2	
32	JU7-H5415-00-00	. MARK, SIGNAL LAMP	1	
33	JU7-H3547-00-00	. COVER, SOCKET	1	
34	JU5-H4700-00-00	. TAILLIGHT ASSY	2	
35	JU5-H4718-00-00	. GROMMET	2	
36	JU7-H4118-01-00	. STAY, HEADLIGHT 1	2	
37	JU7-H4119-01-00	. STAY, HEADLIGHT 2	2	
38	97707-40112-00	. SCREW, TAPPING	4	
39	JU0-H3976-00-00	. SWITCH, HANDLE 1	1	
40	JU0-H4159-00-00	. CORD, HEADLIGHT	1	
41	90464-14806-00	. CLAMP	20	
42	42X-82151-00-00	. FUSE, (10A-BL)	1	



JU02100-D370

CONTENTS

ENGINE	PAGE		PAGE
Engine Assembly	5	Secondary Sheave	29
Cylinder Head	6	Transmission	30 ~ 32
Crankshaft / Piston	7	Rear Axle Mount / Wheel	33
Camshaft / Valve	8	Shifter / Cables	34
Air Shroud / Fan	9	Bumper	35
Intake	10	Body (Front)	36 ~ 37
Carburetor	11	Body 2 (Rear)	38 ~ 39
Exhaust	12	Body Fitting	40
Crankcase	13	Carrier	41
		Seat	42
		Starter Generator	43 ~ 44
		Electrical 1	45
		Electrical 2	46 ~ 47
		Optional Hub Caps	48
		Optional Windshield	49
		Optional Sunroof	50
		Optional Light Kit	51 ~ 52
CHASSIS			
Engine Mount	14		
Rear Arm / Suspension	15		
Frame	16		
Front Suspension / Wheel	17 ~ 18		
Steering	19 ~ 20		
Fuel Tank	21		
Brake	22 ~ 23		
Brake 2	24		
Brake 3	25		
Accelerator	26		
Governor	27		
Primary Clutch	28		