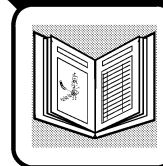
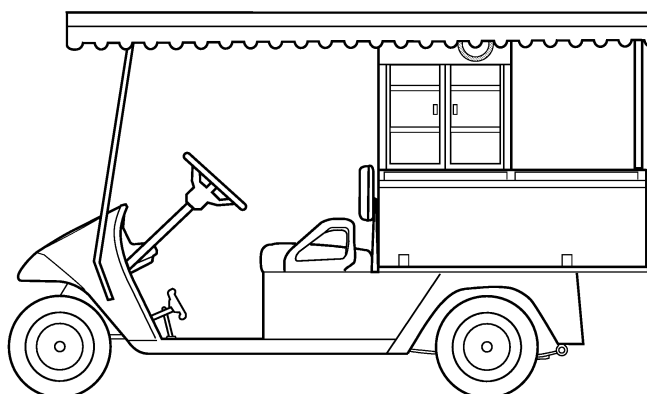
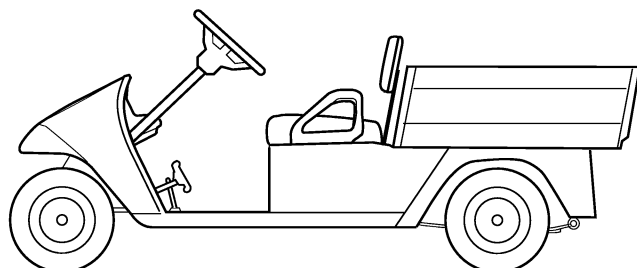
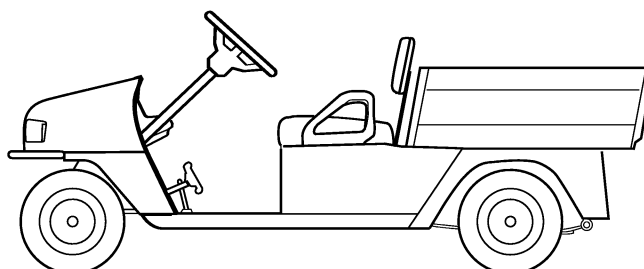


28725-G01



SERVICE PARTS MANUAL



GASOLINE POWERED UTILITY VEHICLES

STARTING MODEL YEAR: 2001

REVISED 7/2002

SERVICE PARTS MANUAL

GASOLINE POWERED UTILITY VEHICLES

WORKHORSE[®] 1200

WORKHORSE[®] 1200 LX

COMMANDER[™] 2200

COMMANDER[™] 2200 SE

JACOBSEN 1110 HAULER[™]

REFRESHER[®] 1200

TEXTRON Golf, Turf & Specialty Products reserves the right to make design changes without obligation to make these changes on units previously sold and the information contained in this manual is subject to change without notice.

TEXTRON Golf, Turf & Specialty Products is not liable for errors in this manual or for incidental or consequential damages that result from the use of the material in this manual.

CUSTOMER SERVICE DEPARTMENT IN USA PHONE: 1-800-241-5855 FAX: 1-800-448-8124

OUTSIDE USA PHONE: 010-1-706-798-4311, FAX: 010-1-706-771-4609

TEXTRON GOLF, TURF & SPECIALTY PRODUCTS, P.O.BOX 388, AUGUSTA, GEORGIA USA 30903-0388

NOTES

To obtain a copy of the limited warranty applicable to the vehicle, call or write a local Distributor, authorized Branch or the Warranty Department with vehicle serial number and manufacturer code.

The use of non Original Equipment Manufacturer (OEM) parts may void the warranty.

Tampering with or adjusting the governor to permit vehicle to operate at above factory specifications will void the vehicle warranty.

When servicing engines, all adjustments and replacement components must be per original vehicle specifications in order to maintain the United States of America Federal and State emission certification applicable at the time of manufacture.

BATTERY PROLONGED STORAGE

All batteries will self discharge over time. The rate of self discharge varies depending on the ambient temperature and the age and condition of the batteries.

A fully charged battery will not freeze in winter temperatures unless the temperature falls below -75° F (-60° C).

GENERAL INDEX

| SECTION | Page No. |
|--|----------|
| How to use the Service Parts Manual..... | v |
| ACCELERATOR - ALL CABLES | |
| • Accelerator Pedal, Pedal Pivot Cover, Pivot Pin..... | A-1 |
| • Accelerator Rod, Pedal Box, Micro Switch, Accelerator Cable..... | A-2 |
| • Throttle Cable, Governor, Governor Cover, Mounting Brackets..... | A-3 |
| ACCELERATOR - CABLE AND LINKAGES | |
| • Accelerator Pedal, Accelerator Rod, Pedal Box, Micro Switch, Accelerator Cable..... | A-7 |
| • Choke, Governor Linkage Rod, Throttle Linkage Rod, Mounting Brackets..... | A-8 |
| AIR FILTER | |
| • Air Cleaner, Carburetor Baffle, Choke Bracket, Gasket..... | B-1 |
| BODY | |
| • Front Cowl (1200 / 2200), Front Shield, Instrument Panel, Glove Box Doors, Floorboard, Bumper..... | C-1 |
| • Front Cowl (WorkHorse® 1200 LX / Commander™ 2200 SE), Fender Flares, Bumper..... | C-2 |
| • Floormat, Seat Support Panel, Side, Splash and Rocker Panels, Rear Fenders, Rear Panel..... | C-3 |
| • Ashtray, Ball Hitch, Clevis Hitch..... | C-4 |
| BRAKES | |
| • Brake Pedal Without Lights, Equalizer and Brake Cables..... | D-1 |
| • Brake Pedal With Lights..... | D-2 |
| • Brake Drum, Brake Shoes, Adjuster..... | D-3 |
| CAB (EARLY PRODUCTION) | |
| • Cab..... | E-1 |
| • Cab Mounting Brackets, Windshield Wiper..... | E-2 |
| • Steel Doors, Vinyl Doors, Strobe Light..... | E-3 |
| • Switch Panel, Defroster/Cooling Fan, Worklights..... | E-4 |
| CAB (LATE PRODUCTION) | |
| • Cab, Steel Doors, Vinyl Doors..... | E-9 |
| CARBURETOR | |
| • Pilot Jet, Main Jet, Carburetor Mount Gasket..... | F-1 |
| • Choke Cable, Adapter, Retainer..... | F-2 |
| CLUTCHES | |
| • Drive Belt, Drive Clutch, Driven Clutch..... | G-1 |

GENERAL INDEX

| SECTION | Page No. |
|--|-----------------|
| DIRECTION SELECTOR - SINGLE CABLE | |
| • Shifter Handle, Push/Pull Shifter Cable, Reverse Warning Buzzer, Neutral Lock, Micro Switch..... | H-1 |
| DIRECTION SELECTOR - DUAL CABLE | |
| • Shifter Handle, Shifter Cables, Reverse Warning Buzzer, Neutral Lock, Micro Switch | H-5 |
| ELECTRICAL SYSTEM | |
| • Battery, Ground Strap, Control Harness, Ignition Pickup, Ignition Coil..... | J-1 |
| • Electrical Plate, Voltage Regulator, Ignitor, Solenoid..... | J-2 |
| • Fuse Block, Horn | J-3 |
| • Headlight, Front Turn Signal Lights | J-4 |
| • Tail Lights, Rear Turn Signal Lights, Turn Signal Switch | J-5 |
| • Ignition Switch, Oil Pressure Indicator Light, Fuel Gauge, 12V Power Outlet, Hour Meter | J-6 |
| • Work Lights, Strobe Light | J-7 |
| ENGINE AND MUFFLER | |
| • Engine, Muffler, Oil Filter, Spark Plugs, Timing Belt | K-1 |
| ENGINE MOUNTING | |
| • Front and Rear Engine Mounts, Engine Guard, Isolation Mount | L-1 |
| FRONT SUSPENSION (Early Production, for Jan. 2001 and later see 'FRONT SUSPENSION AND STEERING') | |
| • Front Axle, Spindle, Wheel Hub, Shock Absorber, Spring..... | M-1 |
| FRONT SUSPENSION AND STEERING (Jan. 2001 and later) | |
| • Front Axle, Spindle, Wheel Hub..... | M-5 |
| • Tie Rod, Steering Column and Wheel | M-6 |
| FUEL SYSTEM | |
| • Fuel Gauge- Mechanical, Fuel Level Sender, Fuel Pump, Fuel Tank Assembly | N-1 |
| REAR AXLE - SINGLE CABLE SHIFTER | |
| • Axle Shaft, Axle Tube, Seals, Bearings | P-1 |
| REAR AXLE - DUAL CABLE SHIFTER | |
| • Axle Shaft, Axle Tube, Seals, Bearings, Shifter Cable Bracket | P-5 |
| REAR SUSPENSION | |
| • U-Bolt, Leaf Spring Set, Shock Absorber, Bushings..... | Q-1 |
| REFRESHER UNIT | |
| • Refresher Unit Mounting Frame, Seat Back Support, Windshield and Mirror | R-1 |
| • Canopy Frame, Canopy..... | R-2 |

GENERAL INDEX

| SECTION | Page No. |
|--|-----------------|
| SEATING | |
| • Seat Bottom, Seat Back, Seat Back Support..... | S-1 |
| STARTER/GENERATOR | |
| • Brush Holder, Pulley, Terminal, Belt, Adjuster, Starter/Generator..... | T-1 |
| STEERING (Early Production, for Jan. 2001 and later see 'FRONT SUSPENSION AND STEERING') | |
| • Rack and Pinion Assembly, Tie Rod Assembly, Steering Column, Steering Wheel..... | U-1 |
| TRUCKBEDS | |
| • Manual Dump Bed, Decals, Tailgate..... | V-1 |
| • Truck Bed Latch, Bed Prop..... | V-2 |
| • Bed Liner, Ramp..... | V-3 |
| • Electric Dump Bed, Decals, Tailgate..... | V-9 |
| • Actuator, Battery Connection, Toggle Switch..... | V-10 |
| • Bed Liner, Ramp..... | V-11 |
| • Flat Bed..... | V-17 |
| • Truck Bed Latch, Bed Prop..... | V-18 |
| • Cargo Racks..... | V-19 |
| WEATHER PROTECTION | |
| • Sun Top..... | W-1 |
| • Top Mounted Rear View Mirror, 3-Sided Soft Enclosure..... | W-2 |
| • Windshields..... | W-3 |
| WHEELS AND TIRES | |
| • Tire, Wheel Rim, Valve Stem..... | X-1 |
| • Chrome Hubcaps, Spoke Hubcaps..... | X-2 |
| SPECIALTY PRODUCTS..... | Appendix A |
| • Special Tools | |
| • Engine Oil | |
| • Paint | |
| • Performance Products | |
| ACCESSORIES..... | Appendix B |

GENERAL INDEX

SECTION

Page No.

Notes:

HOW TO USE THE SERVICE PARTS MANUAL

This manual is divided into several sections:

- GENERAL INFORMATION
- ILLUSTRATED PARTS BREAKDOWN
- APPENDIX

The first section, GENERAL INFORMATION, contains the following information:

- WARRANTY INFORMATION
- GENERAL INDEX
- HOW TO USE THE SERVICE PARTS MANUAL

The second section, ILLUSTRATED PARTS BREAKDOWN, contains illustrations and parts lists for all systems of your vehicle.

The third section, APPENDIX, contains a listing of specialty products and accessories.

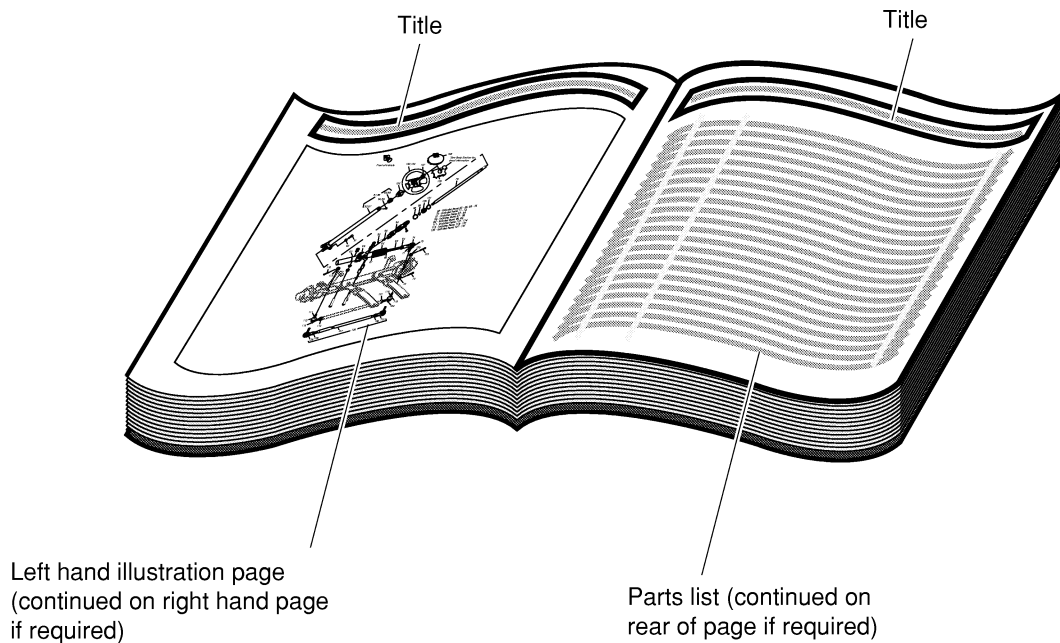
USE OF THE MANUAL

To use this manual, consult the GENERAL INDEX to locate the information or illustration required.

Introduction of some revisions varies due to supply of components; therefore, it is possible that various combinations of components may be found that are not directly reflected by each illustration. Consult the illustration that best suits your situation and then contact the Service Parts Department. It is important that the serial number of your vehicle and its model number be supplied to Service Parts when ordering any replacement components.

Locate the serial number plate (see BODY located in the Illustrated Parts Breakdown section of this manual for its location) and note the complete number shown on the plate.

HOW TO USE THE SERVICE PARTS MANUAL



1. WHEN THE PART NUMBER IS NOT KNOWN

- Determine the function and application of the part required. Turn to the General Index and select the most appropriate title.
- Turn to the page number indicated and locate the desired part on the illustration.
- From the illustration, obtain the item number assigned to the desired part. Refer to the accompanying description for specific information regarding the part.

2. IF YOU KNOW THE PART NUMBER

- Locate the part number or description in the appropriate column on the parts list page.

NOTE: It is suggested that you confirm that the part selected is correct by verifying it with the pictorial representation on the illustrated page.

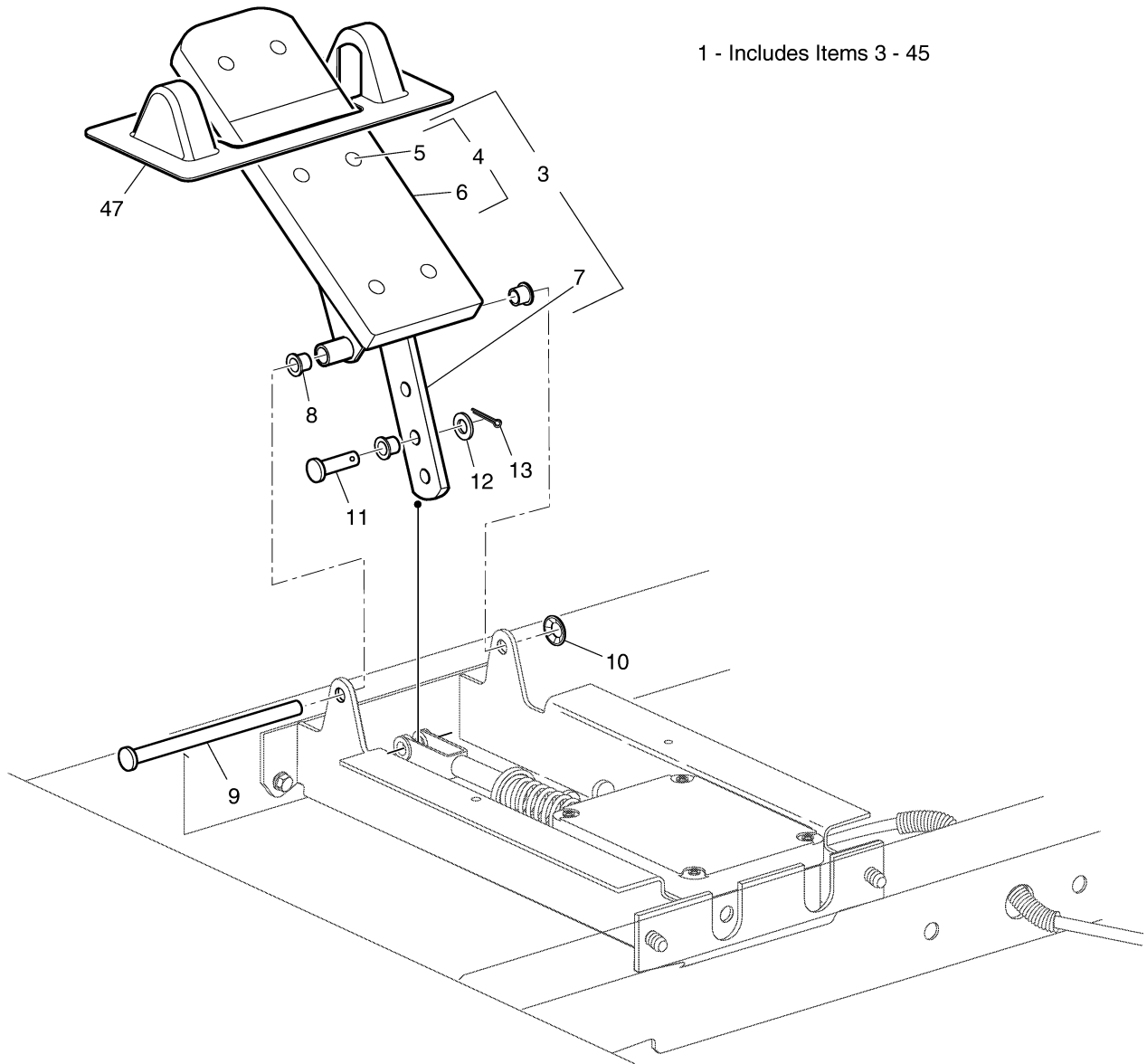
Should an asterisk (*) appear in the part number column on the parts list page, read upwards until a part number is found. The part number is the lowest assembly sold by Service Parts and the asterisk (*) indicates that the part depicted is not available for purchase.

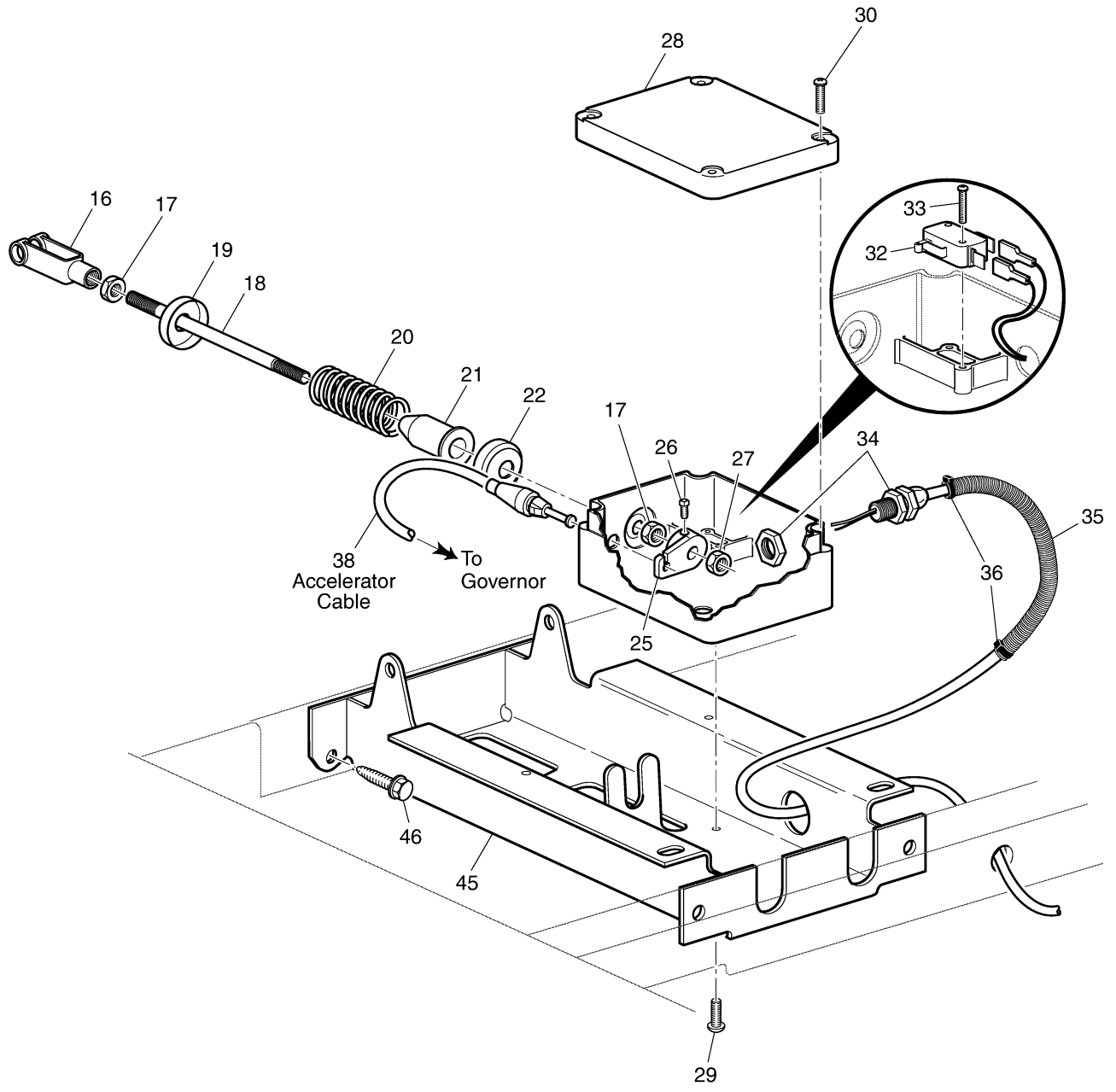
NOTE: Descriptions are indented under the assembly that they are used on. That assembly is, in turn listed under the assembly that it is used on. This process is repeated until the highest final assembly is reached.

To facilitate the maintenance and repair of the vehicle, a Technician's Repair and Service Manual is available from the Service Parts Department.

ILLUSTRATED PARTS BREAKDOWN

ILLUSTRATED PARTS BREAKDOWN





When ordering parts, please specify the model and serial number of the product.

* Indicates a component that is not available as an individual part.

G** Indicates consult Customer Service Department for additional information.

| ITEM | PART NO. | 1 2 3 4 5 | DESCRIPTION | QTY. |
|------|-----------|-----------|---|------|
| 1 | 72717-G02 | | PEDAL BOX ASSEMBLY (INCLUDES ITEMS 3 - 45) | 1 |
| 2 | | | | |
| 3 | 25799-G01 | | ACCELERATOR PEDAL ASSEMBLY (INCLUDES ITEMS 4 - 7) | 1 |
| 4 | 27844-G01 | | ACCELERATOR PEDAL PAD KIT (INCLUDES ITEMS 5 - 6) | 1 |
| 5 | 15766-G1 | | OVAL RIVET, 3/16" X 3/8" LG | 6 |
| 6 | 27512-G01 | | ACCELERATOR PEDAL PAD | 1 |
| 7 | * | | ACCELERATOR PEDAL | 1 |
| 8 | 17838-G1 | | NYLON BUSHING | 3 |
| 9 | 74432-G01 | | PEDAL PIVOT PIN | 1 |
| 10 | 12064-G6 | | PUSH NUT, 9/32" | 1 |
| 11 | 10386-G3 | | CLEVIS PIN, 5/16" X 1" LG | 1 |
| 12 | 17255-G1 | | TEFLON WASHER, 5/16" | 1 |
| 13 | 10387-G3 | | COTTER PIN, 3/32" X 3/4" LG | 1 |
| 14 | | | | |
| 15 | | | | |
| 16 | 10385-G4 | | CLEVIS YOKE (ADJUSTABLE) | 1 |
| 17 | 00532-G4 | | LOCK NUT, 5/16 - 24 | 2 |
| 18 | 72072-G01 | | ACCELERATOR ROD | 1 |
| 19 | 17677-G2 | | SPRING RETAINER | 1 |
| 20 | 73046-G01 | | COMPRESSION SPRING | 1 |
| 21 | 17979-G1 | | ACCELERATOR ROD BUSHING | 1 |
| 22 | 17677-G1 | | SPRING RETAINER | 1 |
| 23 | | | | |
| 24 | | | | |
| 25 | 72716-G01 | | MICRO SWITCH CAM | 1 |
| 26 | 00487-G3 | | SETSCREW, 1/4 - 20 X 3/8" LG | 1 |
| 27 | 00550-G4 | | LOCK NUT, 5/16 - 24 | 1 |
| 28 | 25853-G03 | | PEDAL BOX AND COVER | 1 |
| 29 | 01051-G01 | | SCREW, #8 - 16 X 1/2" LG | 4 |
| 30 | 00684-G6 | | SCREW, #8 - 32 X 3/4" LG | 4 |

ACCELERATOR - ALL CABLES

Gasoline Vehicle

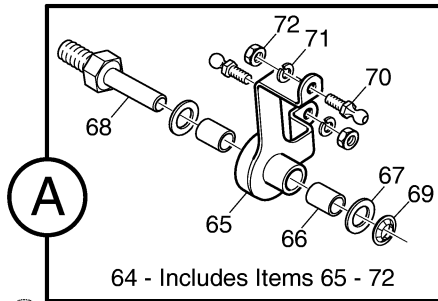
When ordering parts, please specify the model and serial number of the product.
 * Indicates a component that is not available as an individual part.
 G** Indicates consult Customer Service Department for additional information.

| ITEM | PART NO. | 1 | 2 | 3 | 4 | 5 | DESCRIPTION | QTY. |
|------|-----------|---|---|---|---|---|--|------|
| 31 | | | | | | | | |
| 32 | 25861-G01 | | | | | | MICRO SWITCH | 1 |
| 33 | 01050-G01 | | | | | | SCREW, #4 - 20 X 5/8" LG..... | 2 |
| 34 | 72201-G04 | | | | | | WIRE HARNESS (PEDAL BOX) | 1 |
| 35 | 17313-G1 | | | | | | LOOM FLEX (BULK) | AR |
| 36 | 17618-G1 | | | | | | WIRE TIE..... | 2 |
| 37 | | | | | | | | |
| 38 | 72713-G02 | | | | | | ACCELERATOR CABLE | 1 |
| 39 | | | | | | | | |
| 40 | 72706-G01 | | | | | | ACCELERATOR CABLE BUSHING..... | 1 |
| 41 | 72707-G01 | | | | | | COMPRESSION SPRING | 1 |
| 42 | 25727-G02 | | | | | | CUP WASHER | 1 |
| 43 | 00734-G5 | | | | | | LOCK NUT, #10 - 32..... | 1 |
| 44 | | | | | | | | |
| 45 | 70116-G01 | | | | | | ACCELERATOR PEDAL BRACKET | 1 |
| 46 | 00715-G2 | | | | | | BOLT, 5/16 - 18 X 13/16" LG | 4 |
| 47 | 70135-G01 | | | | | | PEDAL PIVOT COVER..... | 1 |
| 48 | | | | | | | | |
| 49 | 72701-G01 | | | | | | ACCELERATOR CABLE MOUNTING BRACKET | 1 |
| 50 | 26830-G01 | | | | | | LOCK NUT, M8 X 1.25 MM | 2 |
| 51 | 72703-G01 | | | | | | THROTTLE CABLE MOUNTING BRACKET | 1 |
| 52 | 26830-G01 | | | | | | LOCK NUT, M8 X 1.25 MM | 2 |
| 53 | | | | | | | | |
| 54 | | | | | | | | |
| 55 | 72708-G01 | | | | | | GOVERNOR ARM | 1 |
| 56 | 26830-G01 | | | | | | LOCK NUT, M8 X 1.25 MM | 1 |
| 57 | | | | | | | | |
| 58 | 11845-G3 | | | | | | CLAMP | 1 |
| 59 | 26830-G01 | | | | | | LOCK NUT, M8 X 1.25 MM | 1 |
| 60 | | | | | | | | |

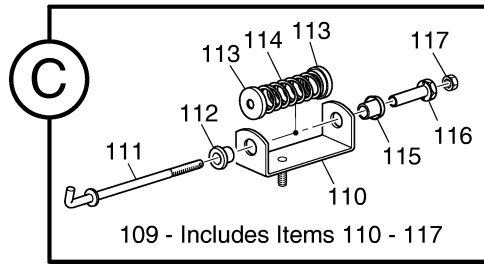
When ordering parts, please specify the model and serial number of the product.
 * Indicates a component that is not available as an individual part.
 G** Indicates consult Customer Service Department for additional information.

| ITEM | PART NO. | 1 2 3 4 5 | DESCRIPTION | QTY. |
|------|-----------|-----------|--|------|
| 61 | 72055-G01 | | ACCELERATOR CABLE BRACKET | 1 |
| 62 | 17618-G1 | | WIRE TIE | 1 |
| 63 | | | | |
| 64 | 74457-G01 | | GOVERNOR COVER/DECAL ASSEMBLY (INCLUDES ITEMS 65, 66)..... | 1 |
| 65 | 72705-G01 | | GOVERNOR COVER..... | 1 |
| 66 | 24880-G01 | | DECAL (WARNING - GOVERNOR)..... | 1 |
| 67 | 00915-G1 | | BONDED WASHER, 1/4" | 2 |
| 68 | 14601-G11 | | RIVET, 3/16" X 9/16" LG | 2 |
| 69 | | | | |
| 70 | 72714-G01 | | THROTTLE CABLE | 1 |
| 71 | 17618-G1 | | WIRE TIE | 1 |

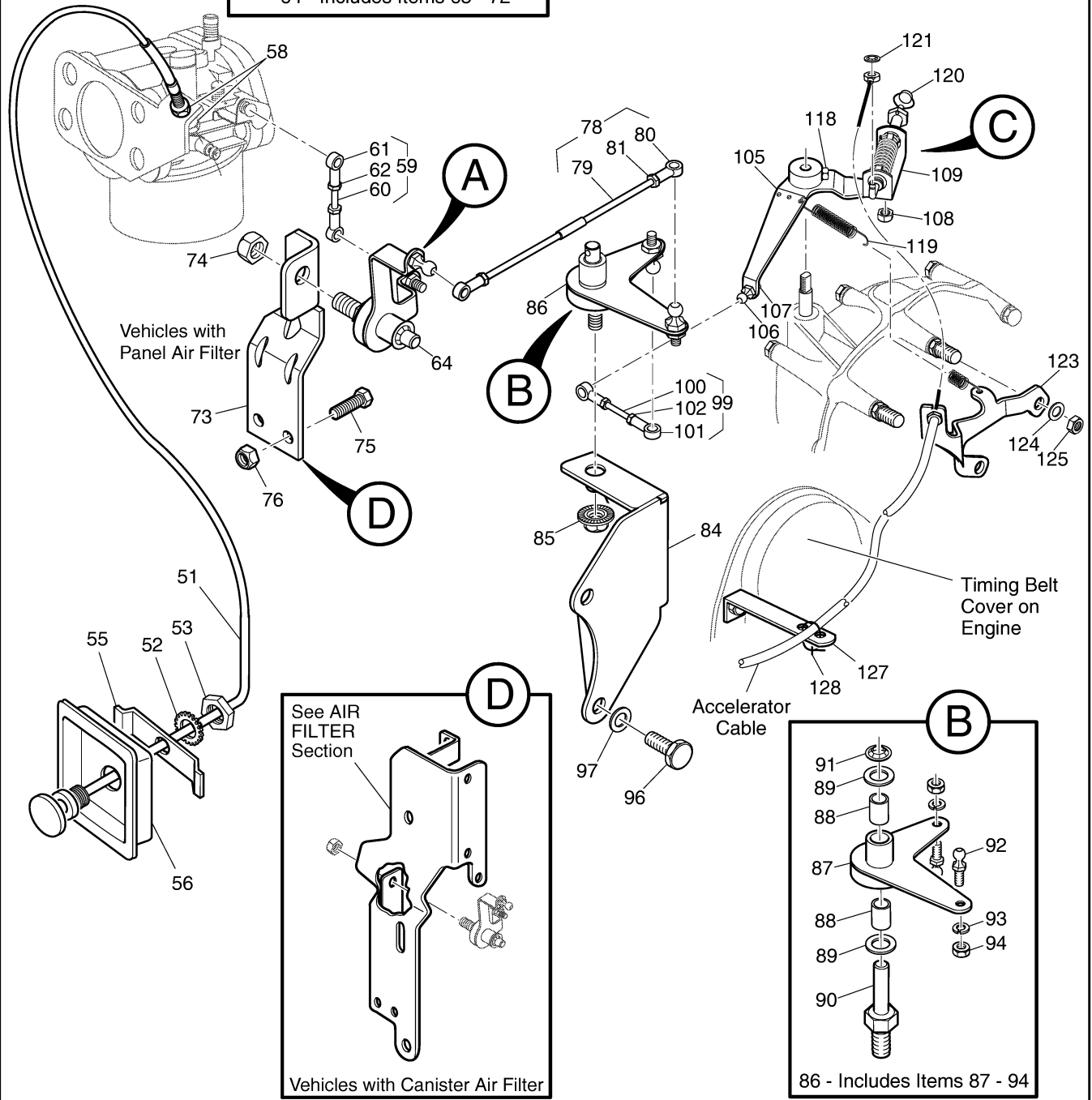
83 - Includes Items 84 - 94
104 - Includes Items 105 - 117



64 - Includes Items 65 - 72



109 - Includes Items 110 - 117



ACCELERATOR - CABLE AND LINKAGES**Gasoline Vehicle**

When ordering parts, please specify the model and serial number of the product.

* Indicates a component that is not available as an individual part.

G** Indicates consult Customer Service Department for additional information.

| ITEM | PART NO. | 1 2 3 4 5 | DESCRIPTION | QTY. |
|------|-----------|-----------|--|------|
| 1 | 72062-G03 | | PEDAL BOX ASSEMBLY (INCLUDES ITEMS 2 - 47) | 1 |
| 2 | 70116-G01 | | ACCELERATOR PEDAL BRACKET..... | 1 |
| 3 | 01051-G01 | | SCREW, #8 - 16 X 1/2" LG | 4 |
| 4 | 25853-G02 | | PEDAL BOX AND COVER | 1 |
| 5 | 00684-G6 | | SCREW, #8 - 32 X 3/4" LG | 4 |
| 6 | 25861-G01 | | MICRO SWITCH..... | 1 |
| 7 | 01050-G01 | | SCREW, #4 - 20 X 5/8" LG | 2 |
| 8 | | | | |
| 9 | 72066-G01 | | CONTROL ARM | 1 |
| 10 | 23860-G1 | | BEARING..... | 2 |
| 11 | 24621-G1 | | NYLON WASHER, 5/16"..... | 2 |
| 12 | 12064-G1 | | PUSH NUT, 5/16"..... | 1 |
| 13 | 25768-G01 | | PIVOT ROD | 1 |
| 14 | 72199-G01 | | PIVOT BRACKET | 1 |
| 15 | 14390-G1 | | LOCK NUT, 3/8 - 24..... | 1 |
| 16 | | | | |
| 17 | 72198-G03 | | MICRO SWITCH CAM..... | 1 |
| 18 | 00550-G4 | | LOCK NUT, 5/16 - 24 | 1 |
| 19 | 00487-G3 | | SETSCREW, 1/4 - 20 X 3/8" LG | 1 |
| 20 | 72074-G01 | | CONTROL ARM LINK | 1 |
| 21 | 72225-G01 | | SHOULDER BOLT, #10 - 24 X 11/16" LG..... | 1 |
| 22 | 00532-G4 | | LOCKNUT, 5/16 - 24..... | 2 |
| 23 | 17677-G1 | | SPRING RETAINER | 1 |
| 24 | 17979-G1 | | ACCELERATOR ROD BUSHING..... | 1 |
| 25 | 73046-G01 | | COMPRESSION SPRING | 1 |
| 26 | 17677-G2 | | SPRING RETAINER | 1 |
| 27 | 72072-G01 | | ACCELERATOR ROD | 1 |
| 28 | 10385-G4 | | CLEVIS YOKE (ADJUSTABLE)..... | 1 |
| 29 | 10386-G3 | | CLEVIS PIN, 5/16" X 1" LG | 1 |
| 30 | 17838-G1 | | NYLON BUSHING | 3 |

When ordering parts, please specify the model and serial number of the product.

* Indicates a component that is not available as an individual part.

G** Indicates consult Customer Service Department for additional information.

| ITEM | PART NO. | 1 | 2 | 3 | 4 | 5 | DESCRIPTION | QTY. |
|------|-----------|---|---|---|---|---|---|------|
| 31 | 17255-G1 | | | | | | TEFLON WASHER, 5/16" | 1 |
| 32 | 10387-G3 | | | | | | COTTER PIN, 3/32" X 3/4" LG | 1 |
| 33 | 74432-G01 | | | | | | PEDAL PIVOT PIN | 1 |
| 34 | 12064-G6 | | | | | | PUSH NUT, 9/32" | 1 |
| 35 | 14390-G10 | | | | | | LOCK NUT, #10 - 24..... | 1 |
| 36 | 12730-G1 | | | | | | WHEEL BEARING GREASE (NOT ILLUSTRATED)..... | A/R |
| 37 | | | | | | | | |
| 38 | 72201-G02 | | | | | | WIRE HARNESS (PEDAL BOX) | 1 |
| 39 | 17313-G1 | | | | | | LOOM FLEX (BULK) | AR |
| 40 | 17618-G1 | | | | | | WIRE TIE..... | 2 |
| 41 | 72065-G02 | | | | | | ACCELERATOR CABLE | 1 |
| 42 | 00559-G8 | | | | | | WASHER, 5/16" | 1 |
| 43 | 25799-G01 | | | | | | ACCELERATOR PEDAL ASSEMBLY (INCLUDES ITEMS 44 - 47) | 1 |
| 44 | 27844-G01 | | | | | | ACCELERATOR PEDAL PAD KIT (INCLUDES ITEMS 45 - 46) | 1 |
| 45 | 15766-G1 | | | | | | OVAL RIVET, 3/16" X 3/8" LG | 6 |
| 46 | 27512-G01 | | | | | | ACCELERATOR PEDAL PAD | 1 |
| 47 | * | | | | | | ACCELERATOR PEDAL | |
| 48 | 00715-G2 | | | | | | BOLT, 5/16 - 18 X 13/16" LG..... | 4 |
| 49 | 70135-G01 | | | | | | PEDAL PIVOT COVER..... | 1 |
| 50 | | | | | | | | |
| 51 | 72401-G02 | | | | | | CHOKE CABLE (WITH NUTS) | 1 |
| 52 | 00568-G4 | | | | | | LOCK WASHER, 9/16" | 1 |
| 53 | 00545-G4 | | | | | | NUT, 9/16 - 18..... | 1 |
| 54 | | | | | | | | |
| 55 | 72155-G01 | | | | | | RETAINER | 1 |
| 56 | 72154-G01 | | | | | | CHOKE CABLE ADAPTER..... | 1 |
| 57 | | | | | | | | |
| 58 | 00544-G4 | | | | | | JAM NUT, 5/16 - 24..... | 2 |
| 59 | 25737-G01 | | | | | | CARBURETOR LINKAGE ROD (INCLUDES ITEMS 60 - 62)..... | 1 |
| 60 | 23722-G1 | | | | | | ADJUSTING ROD (SHORT) | 1 |

ACCELERATOR - CABLE AND LINKAGES

Gasoline Vehicle

When ordering parts, please specify the model and serial number of the product.

* Indicates a component that is not available as an individual part.

G** Indicates consult Customer Service Department for additional information.

| ITEM | PART NO. | 1 | 2 | 3 | 4 | 5 | DESCRIPTION | QTY. |
|------|-----------|---|---|---|---|---|---|------|
| 61 | 24465-G1 | | | | | | BALL JOINT SOCKET | 2 |
| 62 | 00526-G4 | | | | | | NUT, #10 - 32..... | 2 |
| 63 | | | | | | | | |
| 64 | 25760-G01 | | | | | | CARBURETOR LINKAGE BELLCRANK (INCLUDES ITEMS 65 - 72)..... | 1 |
| 65 | 25759-G01 | | | | | | CARBURETOR PIVOT | 1 |
| 66 | 23860-G1 | | | | | | BEARING..... | 2 |
| 67 | 24621-G1 | | | | | | NYLON WASHER, 5/16"..... | 2 |
| 68 | 25768-G01 | | | | | | PIVOT ROD | 1 |
| 69 | 12064-G1 | | | | | | PUSH NUT, 5/16"..... | 1 |
| 70 | 24479-G1 | | | | | | BALL JOINT BALL | 2 |
| 71 | 00565-G5 | | | | | | LOCK WASHER, #10 | 2 |
| 72 | 00526-G4 | | | | | | NUT, #10 - 32..... | 2 |
| 73 | 72197-G01 | | | | | | PIVOT BRACKET..... | 1 |
| 74 | 14390-G1 | | | | | | LOCK NUT, 3/8 - 24 | 1 |
| 75 | 00414-G8 | | | | | | BOLT, 1/4 - 20 X 1" LG | 2 |
| 76 | 14390-G4 | | | | | | LOCK NUT, 1/4 - 20 | 2 |
| 77 | | | | | | | | |
| 78 | 72254-G01 | | | | | | THROTTLE LINKAGE ROD ASSEMBLY (INCLUDES ITEMS 79 - 81)..... | 1 |
| 79 | 72609-G01 | | | | | | ADJUSTING ROD (LONG)..... | 1 |
| 80 | 24465-G1 | | | | | | BALL JOINT SOCKET | 2 |
| 81 | 00526-G4 | | | | | | NUT, #10 - 32..... | 2 |
| 82 | | | | | | | | |
| 83 | 25702-G01 | | | | | | GOVERNOR PIVOT BRACKET ASSEMBLY (INCLUDES ITEMS 84 - 94)..... | 1 |
| 84 | 25655-G01 | | | | | | BELLCRANK BRACKET..... | 1 |
| 85 | 14390-G1 | | | | | | LOCK NUT, 3/8 - 24 | 1 |
| 86 | 25763-G01 | | | | | | GOVERNOR PIVOT ASSEMBLY (INCLUDES ITEMS 87 - 94) | 1 |
| 87 | 25762-G01 | | | | | | GOVERNOR PIVOT..... | 1 |
| 88 | 23860-G1 | | | | | | BEARING | 2 |
| 89 | 24621-G1 | | | | | | NYLON WASHER, 5/16" | 2 |
| 90 | 25768-G01 | | | | | | PIVOT ROD..... | 1 |

When ordering parts, please specify the model and serial number of the product.

* Indicates a component that is not available as an individual part.

G** Indicates consult Customer Service Department for additional information.

| ITEM | PART NO. | 1 | 2 | 3 | 4 | 5 | DESCRIPTION | QTY. |
|------|-----------|---|---|---|---|---|--|------|
| 91 | 12064-G1 | | | | | | PUSH NUT, 5/16" | 1 |
| 92 | 24479-G1 | | | | | | BALL JOINT BALL | 2 |
| 93 | 00565-G5 | | | | | | LOCK WASHER, #10 | 2 |
| 94 | 00526-G4 | | | | | | NUT, #10 - 32 | 2 |
| 95 | | | | | | | | |
| 96 | 00276-G6 | | | | | | BOLT, 5/16 - 24 X 3/4" LG | 2 |
| 97 | 00565-G8 | | | | | | LOCK WASHER, 5/16" | 2 |
| 98 | | | | | | | | |
| 99 | 25737-G03 | | | | | | GOVERNOR LINKAGE ROD (INCLUDES ITEMS 100 - 102) | 1 |
| 100 | 23722-G1 | | | | | | ADJUSTING ROD | 1 |
| 101 | 24465-G1 | | | | | | BALL JOINT SOCKET | 2 |
| 102 | 00526-G4 | | | | | | NUT, #10 - 32 | 2 |
| 103 | | | | | | | | |
| 104 | 25690-G01 | | | | | | GOVERNOR BELLCRANK ASSEMBLY (INCLUDES ITEMS 105 - 117) | 1 |
| 105 | 25765-G01 | | | | | | GOVERNOR BELLCRANK | 1 |
| 106 | 24479-G1 | | | | | | BALL JOINT BALL | 1 |
| 107 | 00734-G5 | | | | | | LOCK NUT, #10 - 32 | 1 |
| 108 | 14390-G4 | | | | | | LOCK NUT, 1/4 - 20 | 1 |
| 109 | 22751-G2 | | | | | | GOVERNOR BRACKET ASSEMBLY (INCLUDES ITEMS 110 - 117) | 1 |
| 110 | 22752-G1 | | | | | | GOVERNOR BRACKET | 1 |
| 111 | 25274-G1 | | | | | | GOVERNOR ROD | 1 |
| 112 | 22754-G1 | | | | | | BUSHING | 1 |
| 113 | 25661-G01 | | | | | | CUP WASHER | 2 |
| 114 | 23578-G1 | | | | | | COMPRESSION SPRING | 1 |
| 115 | 22754-G2 | | | | | | BUSHING | 1 |
| 116 | 23859-G1 | | | | | | GOVERNOR ADJUSTER | 1 |
| 117 | 00526-G4 | | | | | | NUT, #10 - 32 | 1 |
| 118 | 00491-G4 | | | | | | SETSCREW, 1/4 - 20 X 1/2" LG | 2 |
| 119 | 25738-G01 | | | | | | SPRING | 1 |
| 120 | 25286-G1 | | | | | | SAFETY SEAL, 3/8" | 1 |

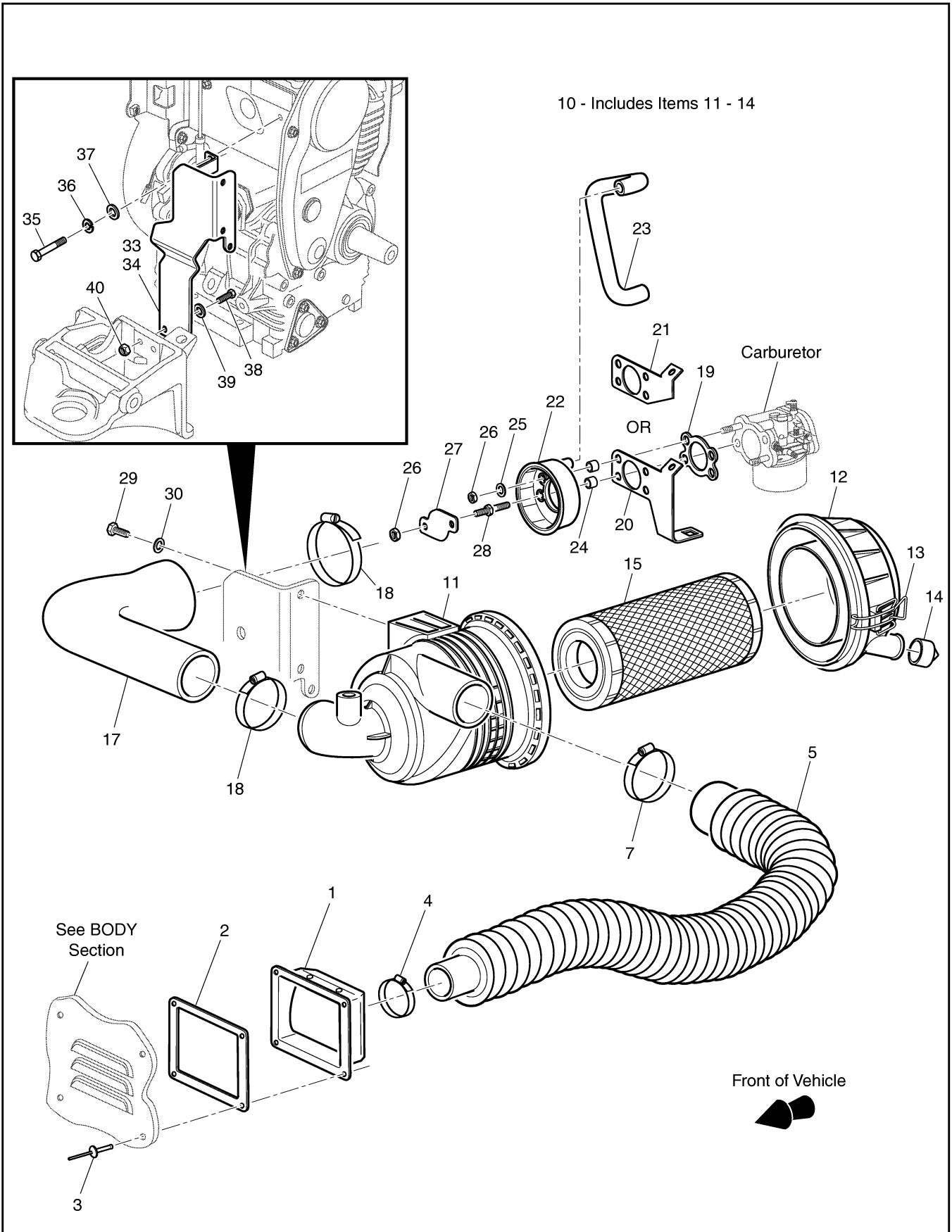
ACCELERATOR - CABLE AND LINKAGES**Gasoline Vehicle**

When ordering parts, please specify the model and serial number of the product.

* Indicates a component that is not available as an individual part.

G** Indicates consult Customer Service Department for additional information.

| ITEM | PART NO. | 1 2 3 4 5 | DESCRIPTION | QTY. |
|------|-----------|-----------|---------------------------------|------|
| 121 | 12064-G3 | | PUSH NUT, 3/16" | 1 |
| 122 | | | | |
| 123 | 25653-G01 | | ACCELERATOR CABLE BRACKET | 1 |
| 124 | 26826-G01 | | LOCK WASHER, 8 MM | 2 |
| 125 | 26827-G01 | | NUT, M8 X 1.25 MM | 2 |
| 126 | | | | |
| 127 | 72055-G01 | | ACCELERATOR CABLE BRACKET | 1 |
| 128 | 17618-G1 | | WIRE TIE | 7 |



When ordering parts, please specify the model and serial number of the product.
 * Indicates a component that is not available as an individual part.
 G** Indicates consult Customer Service Department for additional information.

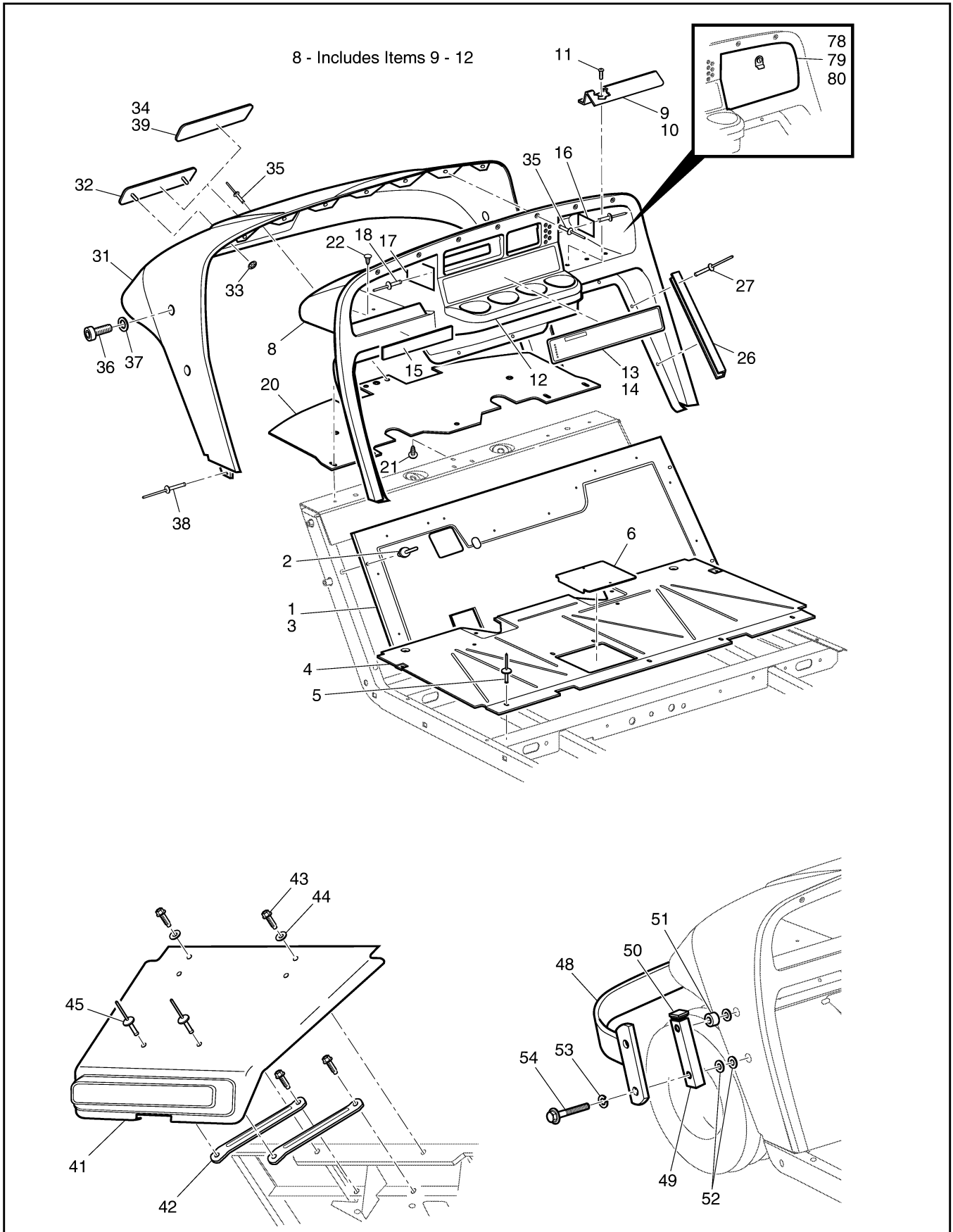
| ITEM | PART NO. | 1 2 3 4 5 | DESCRIPTION | QTY. |
|------|-----------|-----------|--|------|
| 1 | 72416-G01 | | INLET ADAPTER | 1 |
| 2 | 72415-G01 | | GASKET | 1 |
| 3 | 71055-G01 | | RIVET, 3/16" X 3/8" LG | 4 |
| 4 | 11391-G2 | | CLAMP | 1 |
| 5 | 72637-G02 | | HOSE (CONVOLUTED)..... | 1 |
| 6 | | | | |
| 7 | 11391-G1 | | HOSE CLAMP..... | 1 |
| 8 | | | | |
| 9 | | | | |
| 10 | 72607-G01 | | AIR CLEANER CANISTER ASSEMBLY (INCLUDES ITEMS 11 - 14) | 1 |
| 11 | 72598-G01 | | AIR CLEANER CANISTER | 1 |
| 12 | 72599-G01 | | AIR CLEANER COVER..... | 1 |
| 13 | 72604-G01 | | AIR CLEANER LATCH..... | 2 |
| 14 | 28462-G01 | | AIR CLEANER DUST COLLECTOR..... | 1 |
| 15 | 28463-G01 | | AIR CLEANER ELEMENT | 1 |
| 16 | | | | |
| 17 | 72592-G01 | | HOSE (AIR FILTER TO CARBURETOR)..... | 1 |
| 18 | 11391-G6 | | HOSE CLAMP..... | 2 |
| 19 | 26727-G01 | | CARBURETOR GASKET..... | 2 |
| 20 | 72739-G01 | | CHOKE / THROTTLE BRACKET..... | 1 |
| 21 | 26728-G01 | | CHOKE BRACKET | 1 |
| 22 | 72591-G01 | | CARBURETOR ADAPTER | 1 |
| 23 | 72151-G01 | | PCV HOSE..... | 1 |
| 24 | 23726-G11 | | CARBURETOR MOUNTING SPACER | 4 |
| 25 | 51400-G1 | | WASHER, 1/4" | 2 |
| 26 | 13632-G1 | | NUT, M6 X 1 | 4 |
| 27 | 72605-G01 | | CARBURETOR BAFFLE..... | 1 |
| 28 | 72514-G01 | | STUD | 2 |
| 29 | 12583-G3 | | BOLT, M8 X 1.25 X 16 MM..... | 2 |
| 30 | 00565-G8 | | LOCK WASHER, 5/16"..... | 2 |

AIR FILTER

Gasoline Vehicle

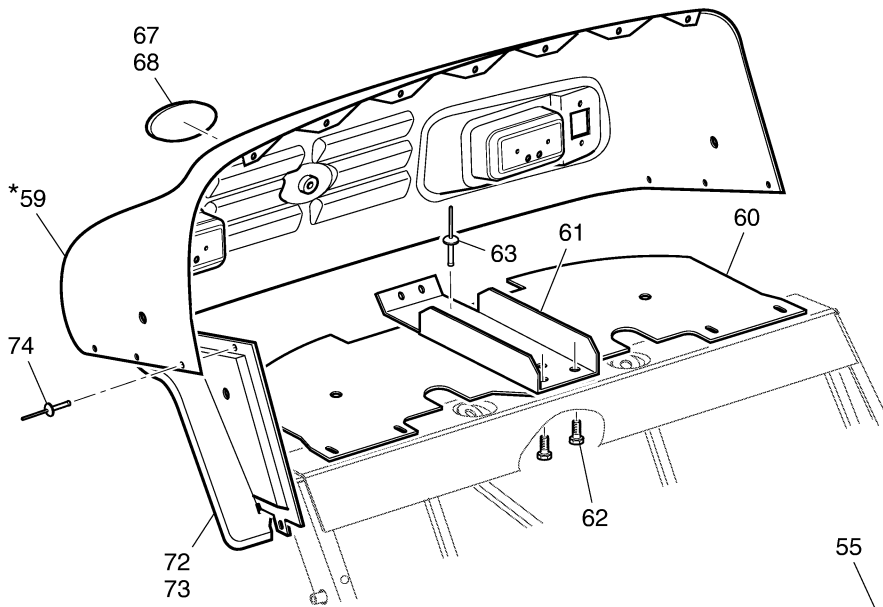
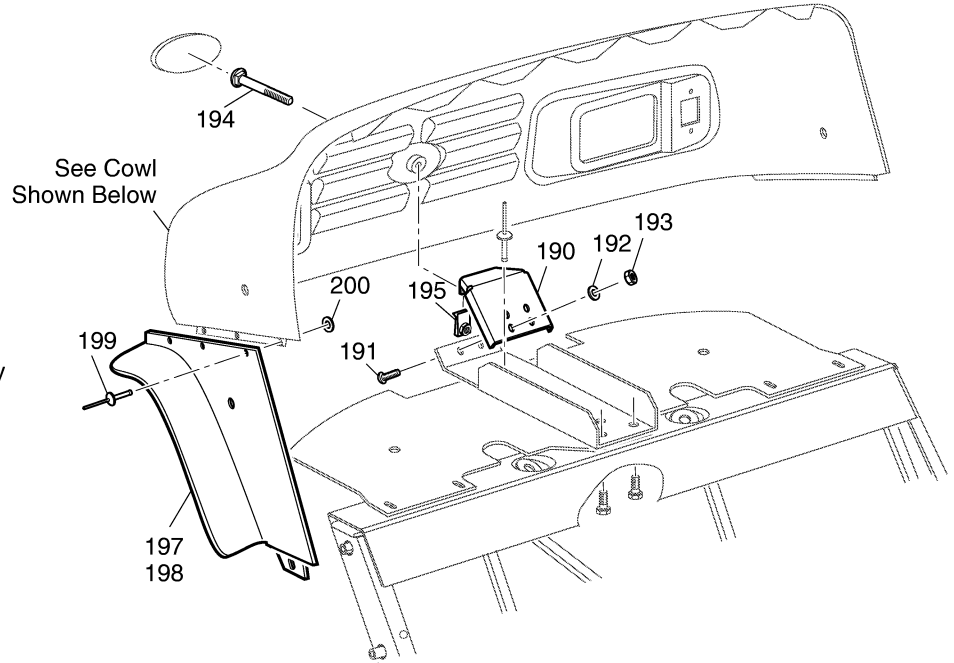
When ordering parts, please specify the model and serial number of the product.
 * Indicates a component that is not available as an individual part.
 G** Indicates consult Customer Service Department for additional information.

| ITEM | PART NO. | 1 2 3 4 5 | DESCRIPTION | QTY. |
|------|-----------|-----------|--|------|
| 31 | | | | |
| 32 | | | | |
| 33 | 72596-G01 | | AIR FILTER BRACKET (LINKAGE ACTUATED CARBURETOR) | 1 |
| 34 | 75878-G01 | | AIR FILTER BRACKET (CABLE ACTUATED CARBURETOR)..... | 1 |
| 35 | 12547-G3 | | BOLT, M6 X 1MM X 20MM LG | 1 |
| 36 | 00905-G7 | | LOCK WASHER, 1/4" | 1 |
| 37 | 00559-G7 | | WASHER, 1/4" | 1 |
| 38 | 00415-G2 | | BOLT, 1/4 - 20 X 1 1/4" LG | 2 |
| 39 | 00605-G07 | | WASHER, 1/4" | 2 |
| 40 | 14390-G4 | | LOCK NUT, 1/4 - 20 | 2 |



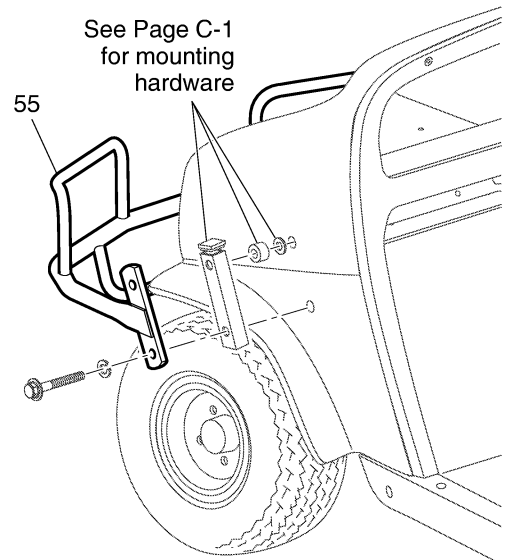
LX / SE MODEL

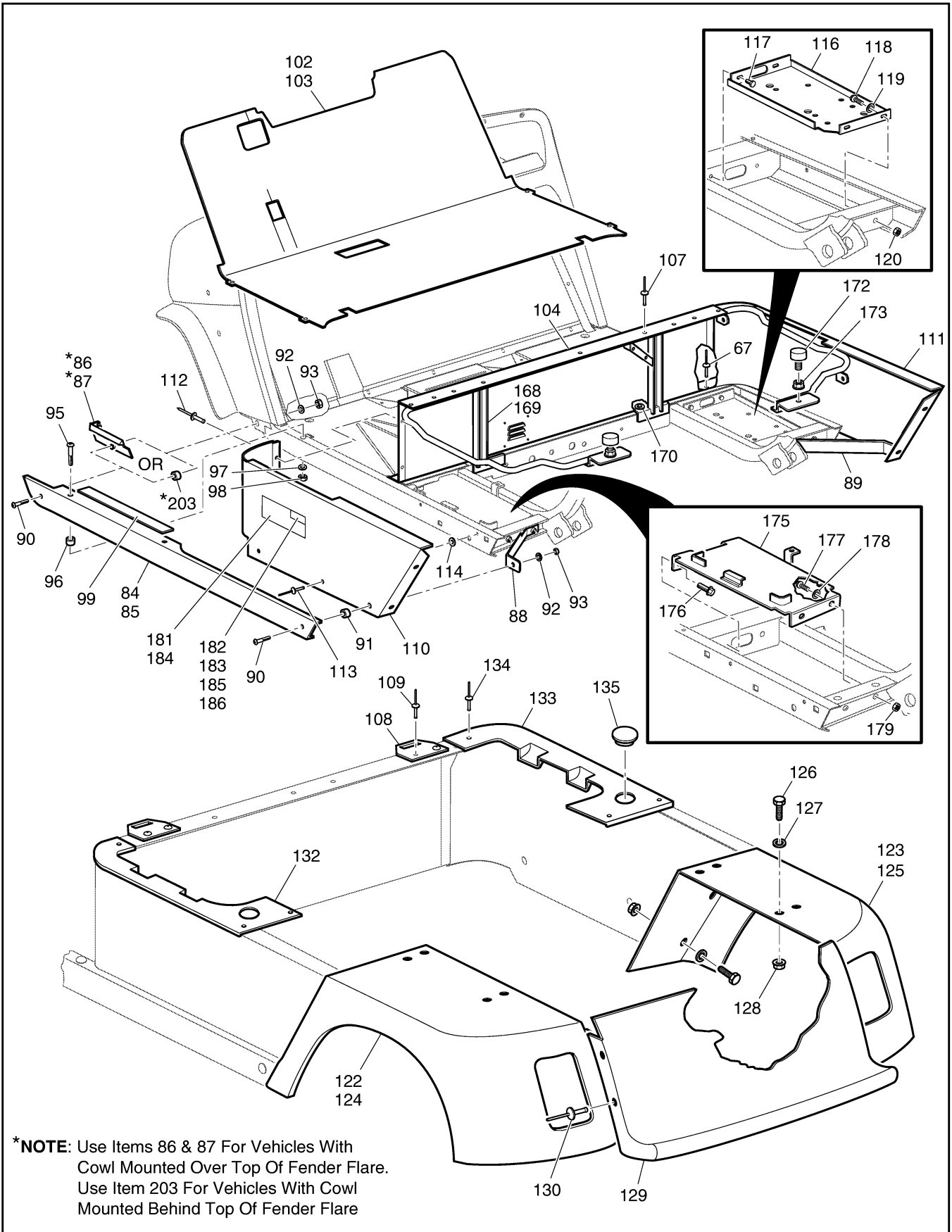
Cowl Mounted Behind Top Of Fender Flare:
Used On All 2001 And Early 2002 Model Vehicles



Cowl Mounted Over Top Of Fender Flare:
Used On Most 2002 Model Vehicles

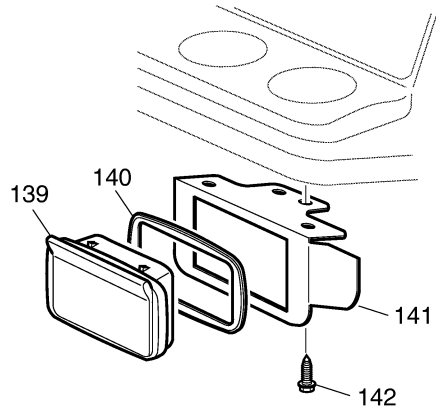
***NOTE:** This Cowl Is Service Replacement For All Prior Model Years When Ordered With Retrofit Kit (Item 206)



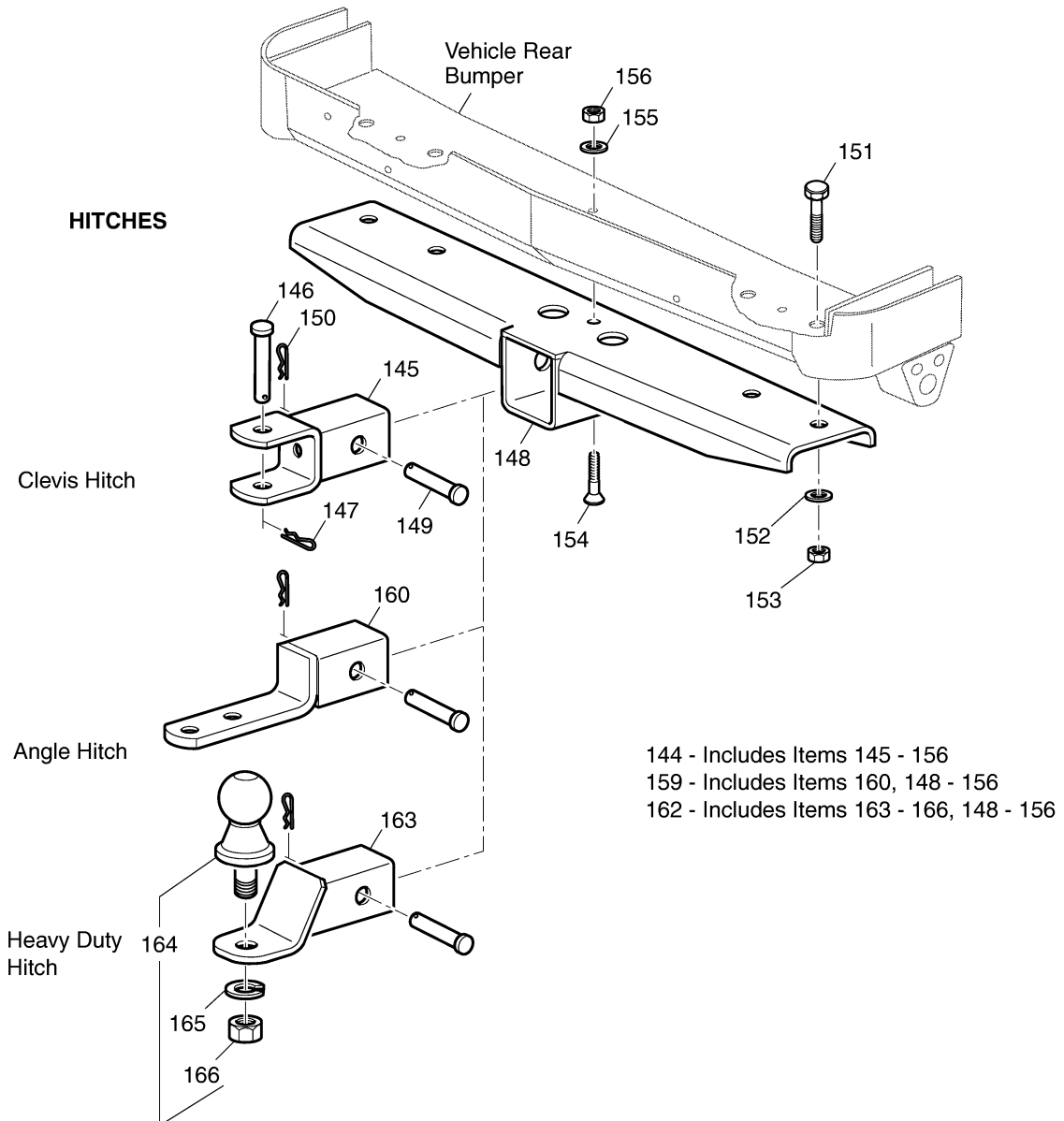


ASH TRAY

138 - Includes Items 139 - 142



HITCHES



When ordering parts, please specify the model and serial number of the product.
 * Indicates a component that is not available as an individual part.
 G** Indicates consult Customer Service Department for additional information.

| ITEM | PART NO. | 1 2 3 4 5 | DESCRIPTION | QTY. |
|------|-----------|-----------|---|------|
| 1 | 70662-G01 | | UPPER FLOORPAN (AXLE MOUNTED STEERING) | 1 |
| 2 | 14601-G11 | | RIVET, 3/16" X 9/16" LG | 9 |
| 3 | 71510-G01 | | UPPER FLOORPAN (FRAME MOUNTED STEERING) | 1 |
| 4 | 70451-G01 | | LOWER FLOORPAN..... | 1 |
| 5 | 14601-G11 | | RIVET, 3/16" X 9/16" LG | 7 |
| 6 | 70452-G01 | | ACCESS COVER..... | 1 |
| 7 | | | | |
| 8 | 71151-G01 | | INSTRUMENT PANEL ASSEMBLY (INCLUDES ITEMS 9 - 12) | 1 |
| 9 | 71153-G01 | | DEFLECTOR (PASSENGER SIDE) | 1 |
| 10 | 71154-G01 | | DEFLECTOR (DRIVER SIDE) | 1 |
| 11 | 00614-G5 | | SCREW, #8 - 18 X 5/8" LG..... | 6 |
| 12 | 71158-G01 | | INSTRUMENT PANEL INSERT (FOUR CUP) | 1 |
| 13 | 71177-G01 | | LABEL (SAFETY) (TEXT) | 1 |
| 14 | 74409-G01 | | LABEL (SAFETY) (PICTOGRAPH)..... | 1 |
| 15 | 74443-G01 | | LABEL (ANTI-ROLLBACK) | 1 |
| 16 | * | | SERIAL NUMBER PLATE..... | 1 |
| 17 | * | | CAPACITY PLATE | 1 |
| 18 | 01041-G01 | | RIVET, 5/32" X 7/8" LG | 4 |
| 19 | | | | |
| 20 | 71413-G01 | | SPLASH PANEL..... | 1 |
| 21 | 16816-G2 | | RATCHET FASTENER, 1/4" X 3/4" LG..... | 1 |
| 22 | 16816-G2 | | RATCHET FASTENER, 1/4" X 3/4" LG..... | 4 |
| 23 | | | | |
| 24 | | | | |
| 25 | | | | |
| 26 | 71115-G01 | | VINYL TRIM | 2 |
| 27 | 71055-G01 | | RIVET, 3/16" X 1" LG | 10 |
| 28 | | | | |
| 29 | | | | |
| 30 | | | | |

When ordering parts, please specify the model and serial number of the product.

* Indicates a component that is not available as an individual part.

G** Indicates consult Customer Service Department for additional information.

| ITEM | PART NO. | 1 2 3 4 5 | DESCRIPTION | QTY. |
|------|-----------|-----------|----------------------------------|------|
| 31 | 71051-G** | | COWL | 1 |
| 32 | 71037-G02 | | NAMEPLATE (E-Z-GO)..... | 1 |
| 33 | 12064-G3 | | PUSHNUT, 3/16" | 2 |
| 34 | 74403-G01 | | NAMEPLATE (CUSHMAN) | 1 |
| 35 | 71055-G01 | | RIVET, 3/16" X 1" LG | 9 |
| 36 | 71056-G01 | | BOLT, 5/16 - 18 X 5/8" LG..... | 4 |
| 37 | 00570-G2 | | WASHER, 5/16" | 4 |
| 38 | 14601-G13 | | RIVET, 5/32" X 9/16" LG | 2 |
| 39 | 26947-G01 | | NAMEPLATE (JACOBSEN)..... | 1 |
| 40 | | | | |
| 41 | 27166-G02 | | FRONT SHIELD..... | 1 |
| 42 | 70725-G01 | | FRONT SHIELD BRACE..... | 2 |
| 43 | 01038-G01 | | SCREW, 1/4 - 20 X 1/2" LG | 4 |
| 44 | 16469-G1 | | WASHER, 1/4" | 2 |
| 45 | 01057-G01 | | RIVET, KTR, 1/4" X 1" LG | 2 |
| 46 | | | | |
| 47 | | | | |
| 48 | 74040-G01 | | FRONT BUMPER | 1 |
| 49 | 74037-G01 | | SPACER TUBE | 2 |
| 50 | 19859-G1 | | END CAP, 3/4" | 2 |
| 51 | 75048-G01 | | SPACER, 1/2" | 2 |
| 52 | 00570-G2 | | WASHER, 5/16" | 6 |
| 53 | 00905-G8 | | LOCK WASHER, 5/16"..... | 4 |
| 54 | 01035-G02 | | BOLT, 5/16 - 18 X 2 1/2" LG..... | 4 |
| 55 | 74265-G01 | | BUMPER (LX / SE) | 1 |
| 56 | | | | |
| 57 | | | | |
| 58 | | | | |
| 59 | 71468-G** | | COWL (LX / SE)..... | 1 |
| 60 | 71413-G01 | | SPLASH PANEL..... | 1 |

When ordering parts, please specify the model and serial number of the product.
 * Indicates a component that is not available as an individual part.
 G** Indicates consult Customer Service Department for additional information.

| ITEM | PART NO. | 1 2 3 4 5 | DESCRIPTION | QTY. |
|------|-----------|-----------|--|------|
| 61 | 71101-G01 | | COWL SUPPORT BRACKET | 1 |
| 62 | 71102-G02 | | SELF TAPPING SCREW, 1/4 - 20 X 1/2" LG | 3 |
| 63 | 71055-G02 | | RIVET, 3/16" X 1 1/8" LG | 1 |
| 64 | | | | |
| 65 | | | | |
| 66 | | | | |
| 67 | 71289-G01 | | NAMEPLATE (E-Z-GO) (OVAL) | 1 |
| 68 | 74401-G01 | | NAMEPLATE (CUSHMAN) (OVAL) | 1 |
| 69 | | | | |
| 70 | | | | |
| 71 | | | | |
| 72 | 71338-G01 | | FENDER FLARE (DRIVER SIDE)..... | 1 |
| 73 | 71338-G02 | | FENDER FLARE (PASSENGER SIDE) | 1 |
| 74 | 71055-G01 | | RIVET, 3/16" X 1" LG | 6 |
| 75 | | | | |
| 76 | | | | |
| 77 | | | | |
| 78 | 75459-G01 | | GLOVE BOX DOORS (BOTH SIDES) | 1 |
| 79 | 75459-G02 | | GLOVE BOX DOOR (DRIVER SIDE) | 1 |
| 80 | 75459-G03 | | GLOVE BOX DOOR (PASSENGER SIDE)..... | 1 |
| 81 | | | | |
| 82 | | | | |
| 83 | | | | |
| 84 | 71439-G01 | | ROCKER PANEL (DRIVER SIDE) | 1 |
| 85 | 71439-G02 | | ROCKER PANEL (PASSENGER SIDE) | 1 |
| 86 | 71424-G01 | | FENDER SPACER (DRIVER SIDE)..... | 1 |
| 87 | 71424-G02 | | FENDER SPACER (PASSENGER SIDE) | 1 |
| 88 | 71440-G01 | | BRACE (DRIVER SIDE)..... | 1 |
| 89 | 71440-G02 | | BRACE (PASSENGER SIDE) | 1 |
| 90 | 00789-G2 | | SCREW, #10 - 24 X 1 1/4" LG | 4 |

When ordering parts, please specify the model and serial number of the product.

* Indicates a component that is not available as an individual part.

G** Indicates consult Customer Service Department for additional information.

| ITEM | PART NO. | 1 2 3 4 5 | DESCRIPTION | QTY. |
|------|-----------|-----------|--|------|
| 91 | 23726-G2 | | SPACER, 1/4" | 2 |
| 92 | 00660-G5 | | WASHER, #10..... | 4 |
| 93 | 11098-G7 | | LOCK NUT, #10 - 24 | 4 |
| 94 | | | | |
| 95 | 16705-G1 | | SCREW, 1/4 - 20 X 1" LG | 4 |
| 96 | 23726-G2 | | SPACER, 1/4" | 4 |
| 97 | 00559-G7 | | WASHER, 1/4" | 4 |
| 98 | 14390-G4 | | LOCK NUT, 1/4 - 20 | 4 |
| 99 | 71764-G01 | | SILL PLATE TREAD..... | 2 |
| 100 | | | | |
| 101 | | | | |
| 102 | 70048-G** | | FLOORMAT (FRAME MOUNTED STEERING) | 1 |
| 103 | 70663-G** | | FLOORMAT (AXLE MOUNTED STEERING) | 1 |
| 104 | 71976-G** | | SEAT SUPPORT PANEL (W/DRIVER SIDE LOUVERS) | 1 |
| 105 | | | | |
| 106 | | | | |
| 107 | 10570-G10 | | RIVET, 5/32" X 9/16" LG | 8 |
| 108 | 71609-G01 | | SEAT HINGE PLATE..... | 2 |
| 109 | 10570-G11 | | RIVET, 3/16" X 3/4" LG | 4 |
| 110 | 71674-G01 | | SIDE PANEL (DRIVER SIDE) | 1 |
| 111 | 71674-G02 | | SIDE PANEL (PASSENGER SIDE) | 1 |
| 112 | 10570-G10 | | RIVET, 5/32" X 9/16" LG | 4 |
| 113 | 10570-G12 | | RIVET, 1/4" X 1/2" LG | 4 |
| 114 | 16469-G7 | | WASHER, 1/4" | 4 |
| 115 | | | | |
| 116 | 70244-G02 | | SPLASH PANEL..... | 1 |
| 117 | 00715-G2 | | BOLT, 5/16 - 18 X 13/16" LG..... | 2 |
| 118 | 00438-G8 | | BOLT, 5/16 - 18 X 1" LG..... | 2 |
| 119 | 00559-G8 | | WASHER, 5/16" | 2 |
| 120 | 11098-G6 | | LOCK NUT, 5/16 - 18 | 2 |

When ordering parts, please specify the model and serial number of the product.
 * Indicates a component that is not available as an individual part.
 G** Indicates consult Customer Service Department for additional information.

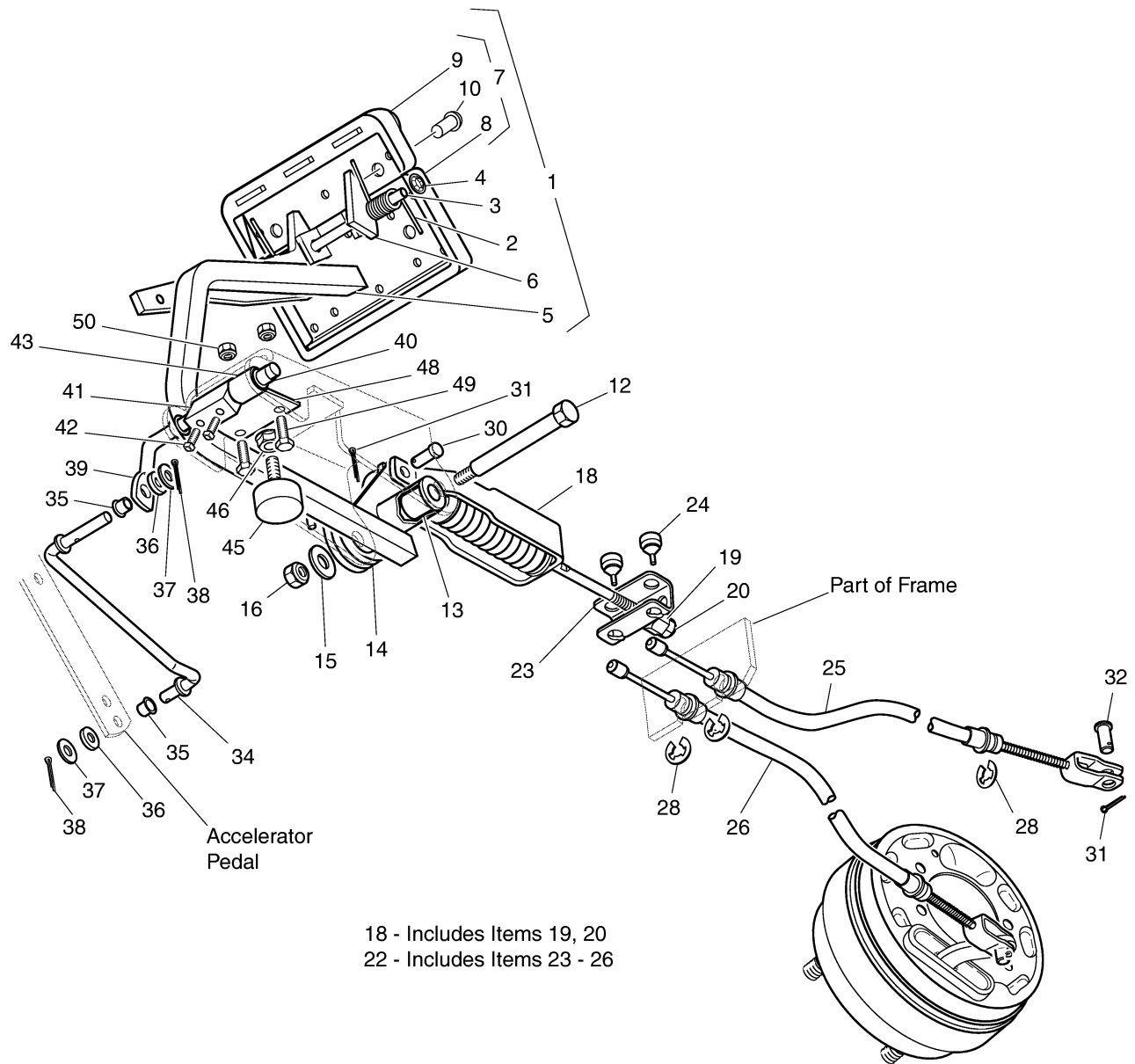
| ITEM | PART NO. | 1 2 3 4 5 | DESCRIPTION | QTY. |
|------|-----------|-----------|---|------|
| 121 | | | | |
| 122 | 74297-G01 | | FENDER (DRIVER SIDE) | 1 |
| 123 | 74297-G02 | | FENDER (PASSENGER SIDE)..... | 1 |
| 124 | 74297-G03 | | FENDER WITH TAILLIGHT (DRIVER SIDE) | 1 |
| 125 | 74297-G04 | | FENDER WITH TAILLIGHT (PASSENGER SIDE) | 1 |
| 126 | 00414-G7 | | BOLT, 1/4 - 20 X 7/8" LG..... | 12 |
| 127 | 00559-G7 | | WASHER, 1/4" | 12 |
| 128 | 11027-G2 | | LOCK NUT, 1/4 - 20 | 12 |
| 129 | 71587-G01 | | REAR PANEL..... | 1 |
| 130 | 71055-G01 | | RIVET, 3/16" X 1" LG | 4 |
| 131 | | | | |
| 132 | 71588-G01 | | SEAT FILLER PANEL (DRIVER SIDE) | 1 |
| 133 | 71588-G02 | | SEAT FILLER PANEL (PASSENGER SIDE)..... | 1 |
| 134 | 10570-G10 | | RIVET, 5/32" X 9/16" LG | 6 |
| 135 | 20271-G3 | | HOLE PLUG, 2" | 2 |
| 136 | | | | |
| 137 | | | | |
| 138 | 75109-G02 | | ASH TRAY KIT (INCLUDES ITEMS 139 - 142) | 1 |
| 139 | 27731-G01 | | ASH TRAY..... | 1 |
| 140 | 27736-G01 | | GASKET | 1 |
| 141 | 75108-G01 | | BRACKET..... | 1 |
| 142 | 00100-G4 | | SCREW, #10 - 16 X 1/2" LG..... | 4 |
| 143 | | | | |
| 144 | 74270-G07 | | CLEVIS HITCH KIT (INCLUDES ITEMS 145 - 156) | 1 |
| 145 | 74338-G01 | | CLEVIS HITCH..... | 1 |
| 146 | 14443-G7 | | CLEVIS PIN, 1/2" X 2 1/2" LG | 1 |
| 147 | 19314-G1 | | COTTER PIN, 2 1/2" LG..... | 1 |
| 148 | 74348-G01 | | HITCH RECEIVER | 1 |
| 149 | 21317-G01 | | CLEVIS PIN, 5/8" X 3" LG | 1 |
| 150 | 21683-G1 | | COTTER PIN, 15/32" X 2 11/16" LG | 1 |

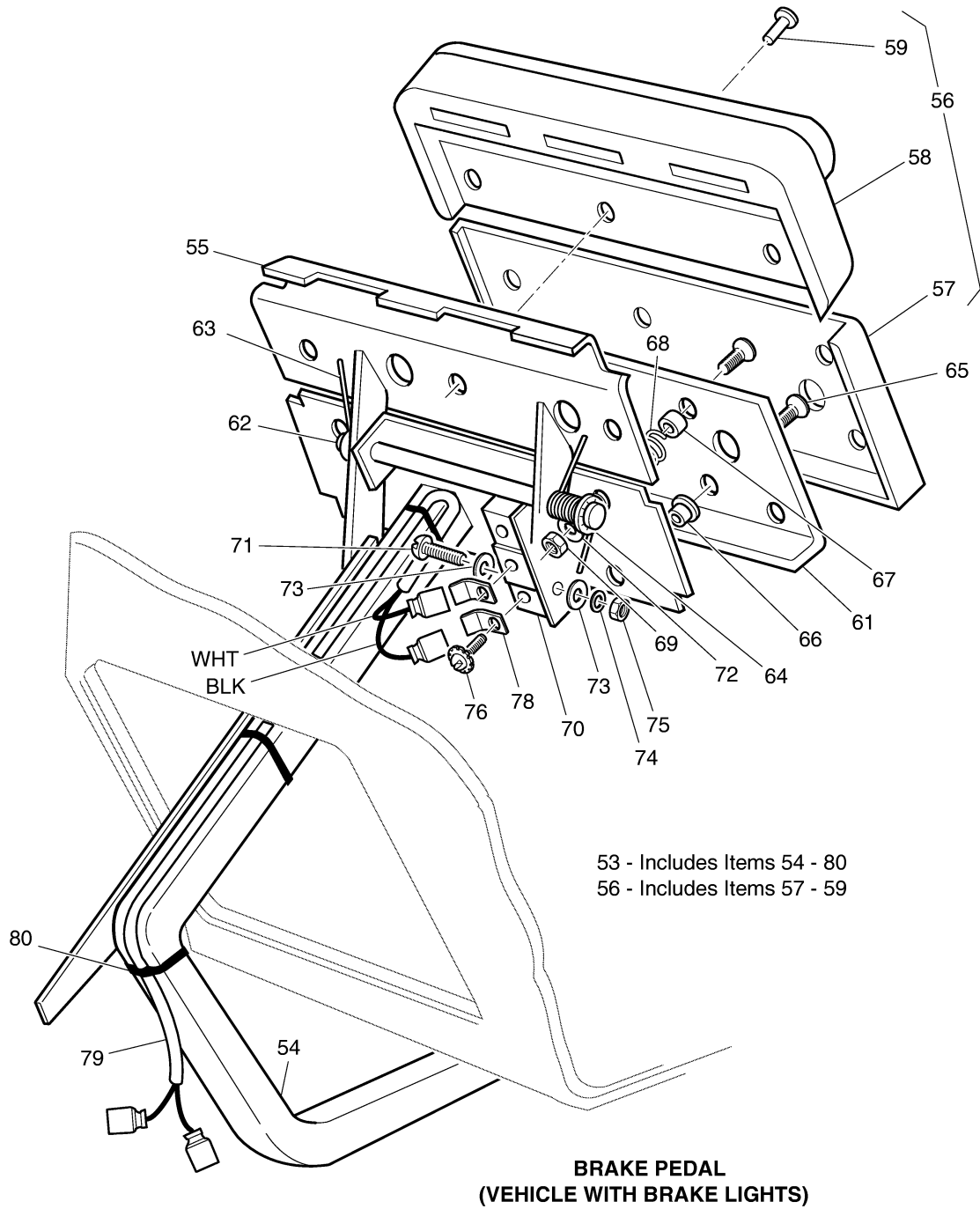
When ordering parts, please specify the model and serial number of the product.
 * Indicates a component that is not available as an individual part.
 G** Indicates consult Customer Service Department for additional information.

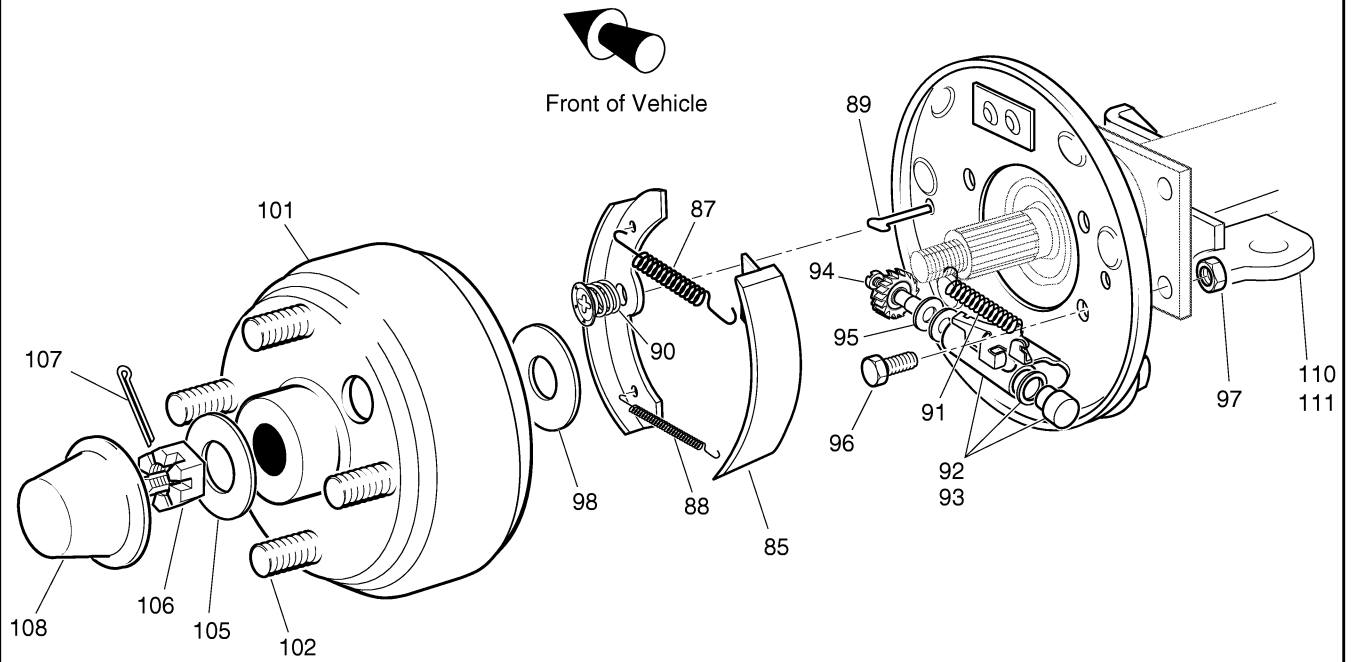
| ITEM | PART NO. | 1 | 2 | 3 | 4 | 5 | DESCRIPTION | QTY. |
|------|-----------|---|---|---|---|---|---|------|
| 151 | 00463-G4 | | | | | | BOLT, 7/16 - 14 X 1 1/2" LG | 4 |
| 152 | 00922-G3 | | | | | | WASHER, 7/16" | 4 |
| 153 | 00734-G1 | | | | | | LOCK NUT, 7/16 - 14..... | 4 |
| 154 | 00198-G8 | | | | | | SCREW, 5/16 - 18 X 1" LG..... | 1 |
| 155 | 00569-G2 | | | | | | WASHER, 5/16"..... | 1 |
| 156 | 11098-G6 | | | | | | LOCK NUT, 5/16 - 18..... | 1 |
| 157 | | | | | | | | |
| 158 | | | | | | | | |
| 159 | 74270-G05 | | | | | | ANGLE HITCH KIT (INCLUDES ITEMS 160 AND 148 - 156) | 1 |
| 160 | 74339-G01 | | | | | | ANGLE HITCH | 1 |
| 161 | | | | | | | | |
| 162 | 74270-G03 | | | | | | HEAVY DUTY HITCH KIT (INCLUDES ITEMS 163 - 166 AND 148 - 156) | 1 |
| 163 | 74351-G01 | | | | | | HEAVY DUTY HITCH..... | 1 |
| 164 | 31757-G1 | | | | | | HITCH BALL, 1 7/8" | 1 |
| 165 | 00566-G6 | | | | | | LOCK WASHER, 3/4" | 1 |
| 166 | 00702-G11 | | | | | | NUT, 3/4 - 16 | 1 |
| 167 | | | | | | | | |
| 168 | 70384-G02 | | | | | | SEAT FRAME (FOR DUAL CABLE DIRECTION SELECTOR) | 1 |
| 169 | 70384-G03 | | | | | | SEAT FRAME (FOR SINGLE CABLE DIRECTION SELECTOR) | 1 |
| 170 | 70200-G01 | | | | | | SCREW, 3/8 - 16 X 1/4" LG | 4 |
| 171 | | | | | | | | |
| 172 | 70113-G01 | | | | | | ADJUSTABLE BUMPER..... | 2 |
| 173 | 11027-G1 | | | | | | LOCK NUT, 5/16 - 18 | 2 |
| 174 | | | | | | | | |
| 175 | 70245-G01 | | | | | | BATTERY TRAY..... | 1 |
| 176 | 00715-G2 | | | | | | BOLT, 5/16 - 18 X 13/16" LG..... | 2 |
| 177 | 00438-G8 | | | | | | BOLT, 5/16 - 18 X 1" LG..... | 2 |
| 178 | 00571-G2 | | | | | | WASHER, 5/16" | 2 |
| 179 | 11098-G6 | | | | | | LOCK NUT, 5/16 - 18 | 2 |
| 180 | | | | | | | | |

When ordering parts, please specify the model and serial number of the product.
 * Indicates a component that is not available as an individual part.
 G** Indicates consult Customer Service Department for additional information.

| ITEM | PART NO. | 1 2 3 4 5 | DESCRIPTION | QTY. |
|------|-----------|-----------|--|------|
| 181 | 35062-G01 | | DECAL (WORKHORSE®)..... | 2 |
| 182 | 35430-G02 | | DECAL (1200)..... | 2 |
| 183 | 35430-G01 | | DECAL (1200 LX) | 2 |
| 184 | 74407-G01 | | DECAL (COMMANDER™) | 2 |
| 185 | 74416-G02 | | DECAL (2200)..... | 2 |
| 186 | 74416-G01 | | DECAL (2200 SE) | 2 |
| 187 | | | | |
| 188 | | | | |
| 189 | | | | |
| 190 | 71463-G01 | | COWL SUPPORT BRACE..... | 1 |
| 191 | 00740-G4 | | SCREW, #10 - 32 X 1/2" LG | 2 |
| 192 | 00559-G5 | | WASHER, #10..... | 2 |
| 193 | 00921-G8 | | LOCK NUT, #10 - 32 | 2 |
| 194 | 16705-G9 | | SCREW, 1/4 - 20 X 1 1/4" LG | 1 |
| 195 | 14776-G1 | | RETAINER NUT ('J' TYPE), 1/4 - 20..... | 1 |
| 196 | | | | |
| 197 | 75815-G01 | | FENDER FLARE (DRIVER SIDE)..... | 1 |
| 198 | 75815-G02 | | FENDER FLARE (PASSENGER SIDE) | 1 |
| 199 | 71045-G01 | | RIVET, 5/32" X 3/4" LG | 6 |
| 200 | 00559-G4 | | WASHER, #8..... | 6 |
| 201 | | | | |
| 202 | | | | |
| 203 | 23726-G2 | | SPACER, 1/4" | 2 |
| 204 | | | | |
| 205 | | | | |
| 206 | 73464-G01 | | COWL RETROFIT SERVICE KIT (INCLUDES ITEMS 72-74, 86 AND 87)..... | 1 |







- 82 - Includes Items 84 - 92
- 83 - Includes Items 84 - 93
- 84 - Includes Items 85
- 86 - Includes Items 87 - 91
- 92 - Includes Items 94, 95
- 93 - Includes Items 94, 95
- 100 - Includes Items 101, 102

When ordering parts, please specify the model and serial number of the product.

* Indicates a component that is not available as an individual part.

G** Indicates consult Customer Service Department for additional information.

| ITEM | PART NO. | 1 2 3 4 5 | DESCRIPTION | QTY. |
|------|-----------|-----------|--|------|
| 1 | 70612-G01 | | BRAKE PEDAL ASSEMBLY (WITHOUT BRAKE LIGHTS) (INCLUDES ITEMS 2 - 10) | 1 |
| 2 | 70681-G01 | | TORSION SPRING | 2 |
| 3 | 70682-G01 | | PIVOT PIN..... | 1 |
| 4 | 01071-G01 | | PUSHNUT, 5/16" | 1 |
| 5 | * | | BRAKE PEDAL..... | 1 |
| 6 | 70611-G01 | | PARK BRAKE PEDAL..... | 1 |
| 7 | 70274-G01 | | BRAKE/PARK BRAKE PEDAL PAD KIT (INCLUDES ITEMS 8 - 10) | 1 |
| 8 | * | | SERVICE BRAKE PAD | 1 |
| 9 | * | | PARK BRAKE PEDAL PAD..... | 1 |
| 10 | 15766-G1 | | OVAL RIVET, 3/16" X 3/8" LG | 9 |
| 11 | | | | |
| 12 | 70582-G01 | | SHOULDER BOLT, 3/8 - 16 X 4" LG..... | 1 |
| 13 | 70581-G01 | | FLANGED BUSHING | 2 |
| 14 | 70676-G01 | | TORSION SPRING | 1 |
| 15 | 00643-G1 | | WASHER, 3/8" | 1 |
| 16 | 11098-G5 | | LOCK NUT, 3/8 - 16 | 1 |
| 17 | | | | |
| 18 | 70272-G04 | | COMPENSATOR ASSEMBLY (INCLUDES ITEMS 19, 20)..... | 1 |
| 19 | 00963-G01 | | SPHERICAL NUT, 5/16 - 24..... | 1 |
| 20 | 11098-G9 | | LOCK NUT, 5/16 - 24..... | 1 |
| 21 | | | | |
| 22 | 70969-G05 | | EQUALIZER AND BRAKE CABLE ASSEMBLY (INCLUDES ITEMS 23 - 26) ... | 1 |
| 23 | 28082-G01 | | EQUALIZER BRACKET | 1 |
| 24 | 28083-G01 | | BRAKE COMPENSATOR BUMPER..... | 2 |
| 25 | * | | BRAKE CABLE (DRIVER SIDE) | 1 |
| 26 | * | | BRAKE CABLE (PASSENGER SIDE)..... | 1 |
| 27 | | | | |
| 28 | 12305-G1 | | RETAINING RING | 4 |
| 29 | | | | |

BRAKES**Gasoline Vehicle**

When ordering parts, please specify the model and serial number of the product.

* Indicates a component that is not available as an individual part.

G** Indicates consult Customer Service Department for additional information.

| ITEM | PART NO. | 1 2 3 4 5 | DESCRIPTION | QTY. |
|------|-----------|-----------|--|------|
| 30 | 10386-G3 | | CLEVIS PIN, 5/16" X 1" LG..... | 3 |
| 31 | 10387-G3 | | COTTER PIN, 3/32" X 3/4" LG..... | 3 |
| 32 | 14443-G2 | | CLEVIS PIN, 5/16" X 3/4" LG..... | 2 |
| 33 | | | | |
| 34 | 70601-G01 | | KICK-OFF LINK | 1 |
| 35 | 17838-G1 | | NYLON BUSHING..... | 2 |
| 36 | 20835-G1 | | TEFLON WASHER, 3/8" | 2 |
| 37 | 00559-G8 | | WASHER, 5/16" | 2 |
| 38 | 10387-G3 | | COTTER PIN, 3/32" X 3/4" LG..... | 2 |
| 39 | 70098-G01 | | KICK-OFF CAM PIVOT..... | 1 |
| 40 | 10097-G6 | | FLANGED BEARING | 2 |
| 41 | 70587-G01 | | KICK-OFF CAM..... | 1 |
| 42 | 71215-G01 | | SETSCREW, 1/4 - 20 X 1/2" LG | 2 |
| 43 | 14134-G4 | | SPACER..... | 1 |
| 44 | | | | |
| 45 | 70113-G01 | | ADJUSTABLE BUMPER..... | 1 |
| 46 | 11027-G1 | | LOCK NUT, 5/16 - 18 | 1 |
| 47 | | | | |
| 48 | 70080-G01 | | CATCH BRACKET | 1 |
| 49 | 00414-G6 | | BOLT, 1/4 - 20 X 3/4" LG..... | 2 |
| 50 | 00891-G2 | | LOCK NUT, 1/4 - 20 | 2 |
| 51 | | | | |
| 52 | | | | |
| 53 | 70690-G01 | | BRAKE PEDAL ASSEMBLY (WITH BRAKE LIGHTS) (INCLUDES ITEMS 54 - 80) | 1 |
| 54 | * | | BRAKE PEDAL..... | 1 |
| 55 | 70611-G01 | | PARK BRAKE PEDAL | 1 |
| 56 | 70274-G01 | | BRAKE/PARK BRAKE PEDAL PAD KIT (INCLUDES ITEMS 57 - 59) | 1 |
| 57 | * | | SERVICE BRAKE PAD | 1 |
| 58 | * | | PARK BRAKE PAD | 1 |

When ordering parts, please specify the model and serial number of the product.

* Indicates a component that is not available as an individual part.

G** Indicates consult Customer Service Department for additional information.

| ITEM | PART NO. | 1 | 2 | 3 | 4 | 5 | DESCRIPTION | QTY. |
|------|-----------|---|---|---|---|---|---|------|
| 59 | 15766-G1 | | | | | | OVAL RIVET, 3/16" x 3/8" LG..... | 9 |
| 60 | | | | | | | | |
| 61 | 70258-G02 | | | | | | BRAKE PEDAL PLATE | 1 |
| 62 | 70682-G01 | | | | | | PIVOT PIN..... | 1 |
| 63 | 70681-G01 | | | | | | TORSION SPRING | 2 |
| 64 | 01071-G01 | | | | | | PUSHNUT, 5/16" | 1 |
| 65 | 00737-G8 | | | | | | SCREW, #10 - 24 X 1" LG..... | 4 |
| 66 | 00739-G1 | | | | | | RUBBER NUT, #10 - 24 | 2 |
| 67 | 22362-G3 | | | | | | BRAKE PEDAL STANDOFF | 2 |
| 68 | 27137-G01 | | | | | | CONICAL SPRING..... | 2 |
| 69 | 11098-G7 | | | | | | LOCK NUT, #10 - 24..... | 2 |
| 70 | 10606-G8 | | | | | | MICRO SWITCH | 1 |
| 71 | 00957-G1 | | | | | | SCREW, #6 - 32 X 1 1/4" LG..... | 2 |
| 72 | 00559-G5 | | | | | | WASHER, #10..... | 2 |
| 73 | 00559-G3 | | | | | | WASHER, #6..... | 4 |
| 74 | 00565-G3 | | | | | | LOCK WASHER, #6..... | 2 |
| 75 | 00525-G5 | | | | | | NUT, #6 - 32 | 2 |
| 76 | 13514-G1 | | | | | | SCREW AND LOCK WASHER, #6 | 2 |
| 77 | | | | | | | | |
| 78 | 14628-G1 | | | | | | FASTON TAB | 2 |
| 79 | 24605-G1 | | | | | | WIRE HARNESS (BRAKE LIGHT)..... | 1 |
| 80 | 17618-G1 | | | | | | WIRE TIE..... | 3 |
| 81 | | | | | | | | |
| 82 | 70793-G01 | | | | | | BRAKE ASSEMBLY (DRIVER SIDE) (INCLUDES ITEMS 84 - 92)..... | 1 |
| 83 | 70793-G02 | | | | | | BRAKE ASSEMBLY (PASSENGER SIDE) (INCL. ITEMS 84 - 91, 93) | 1 |
| 84 | 70794-G01 | | | | | | BRAKE SHOE KIT (INCLUDES ITEM 85) | 2 |
| 85 | * | | | | | | BRAKE SHOE | 2 |
| 86 | 27944-G01 | | | | | | BRAKE SPRING KIT (INCLUDES ITEMS 87 - 91) | 2 |
| 87 | * | | | | | | UPPER SPRING | 1 |
| 88 | * | | | | | | LOWER SPRING | 1 |

BRAKES**Gasoline Vehicle**

When ordering parts, please specify the model and serial number of the product.

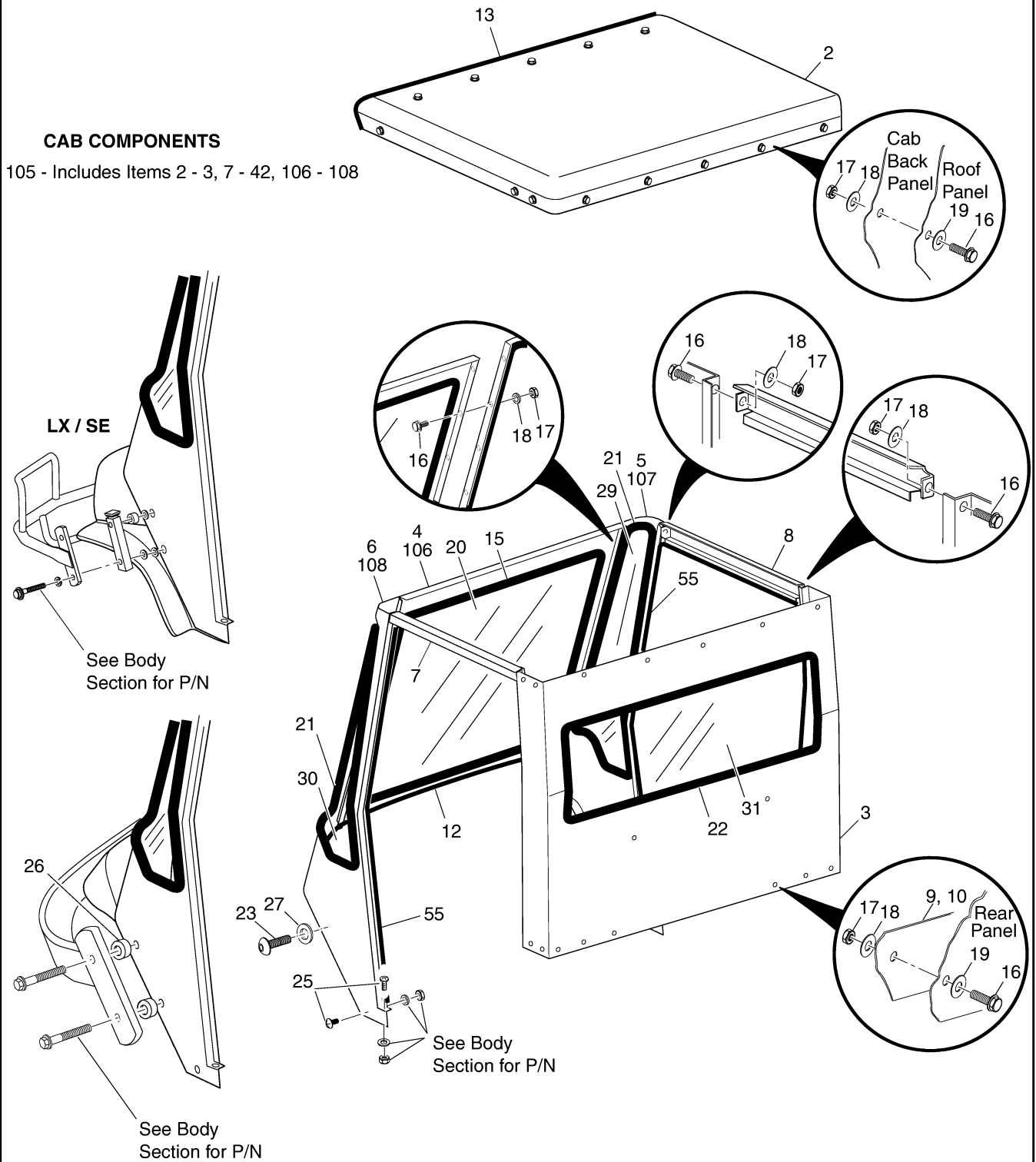
* Indicates a component that is not available as an individual part.

G** Indicates consult Customer Service Department for additional information.

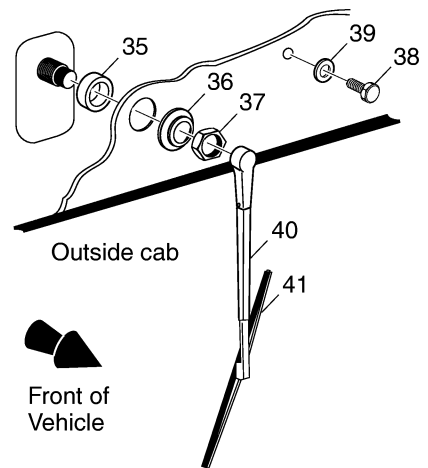
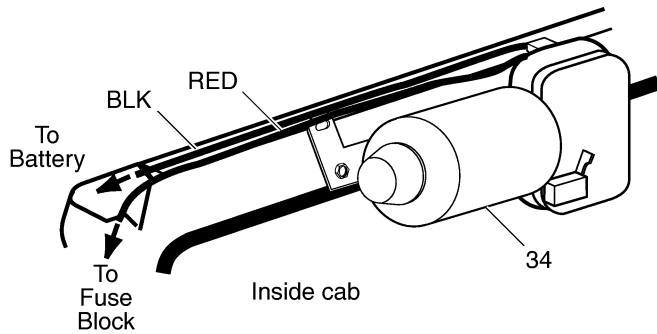
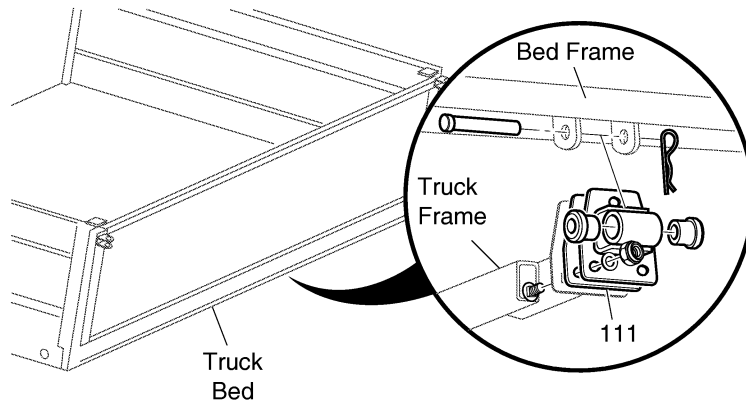
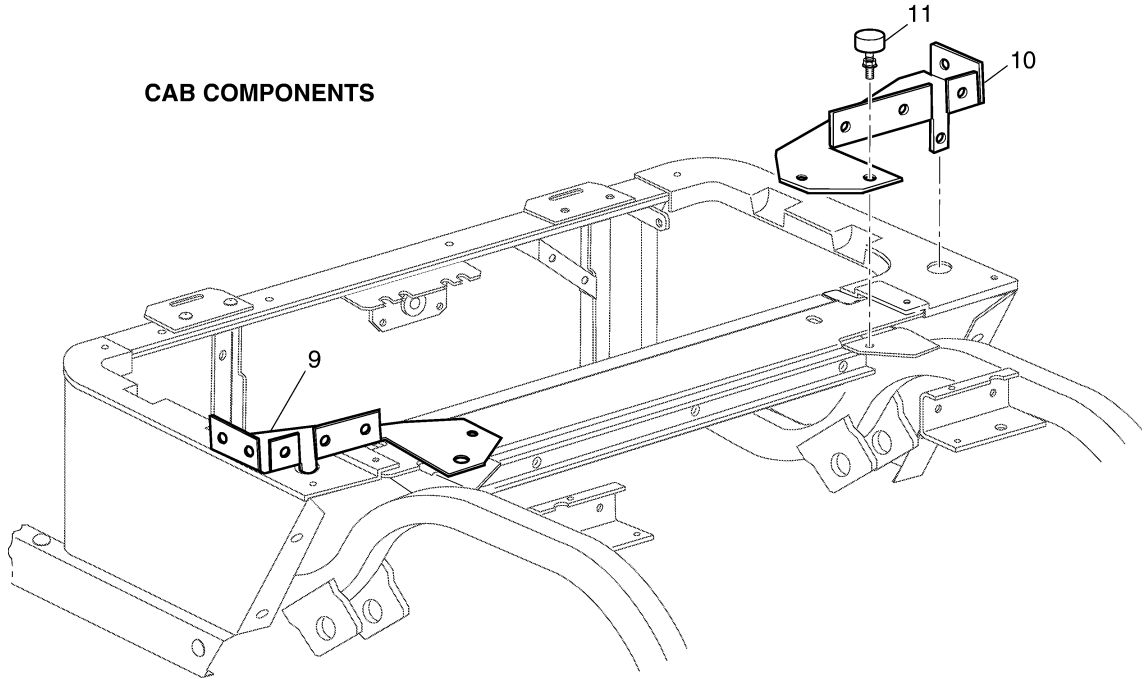
| ITEM | PART NO. | 1 | 2 | 3 | 4 | 5 | DESCRIPTION | QTY. |
|------|-----------|---|---|---|---|---|---|------|
| 89 | * | | | | | | PIN | 2 |
| 90 | * | | | | | | CUP AND SPRING | 2 |
| 91 | * | | | | | | ADJUSTER SPRING..... | 1 |
| 92 | 72582-G01 | | | | | | BRAKE ADJUSTER KIT (DRIVER SIDE) (INCLUDES ITEMS 94, 95)..... | 1 |
| 93 | 72582-G02 | | | | | | BRAKE ADJUSTER KIT (PASSENGER SIDE) (INCL ITEMS 94, 95) | 1 |
| 94 | * | | | | | | ADJUSTER | 1 |
| 95 | * | | | | | | TEFLON WASHER | 2 |
| 96 | 17083-G2 | | | | | | BOLT, 5/16 - 24 X 1" LG..... | 8 |
| 97 | 15126-G1 | | | | | | LOCK NUT, 5/16 - 24 | 8 |
| 98 | 21809-G1 | | | | | | INNER BRAKE DRUM WASHER, 1 5/16" OD X 1" ID X 1/32"..... | 2 |
| 99 | | | | | | | | |
| 100 | 21807-G1 | | | | | | BRAKE DRUM ASSEMBLY (INCLUDES ITEMS 101 - 102) | 2 |
| 101 | * | | | | | | BRAKE DRUM..... | 1 |
| 102 | 19862-G1 | | | | | | LUG BOLT, 1/2 - 20 | 4 |
| 103 | | | | | | | | |
| 104 | | | | | | | | |
| 105 | 21830-G1 | | | | | | OUTER BRAKE DRUM WASHER | 2 |
| 106 | 00518-G8 | | | | | | SLOTTED NUT, 3/4 - 16..... | 2 |
| 107 | 10387-G1 | | | | | | COTTER PIN, 1/8" X 1 1/2" LG..... | 2 |
| 108 | 74175-G01 | | | | | | SPINDLE CAP | 2 |
| 109 | | | | | | | | |
| 110 | 72036-G02 | | | | | | BRAKE CABLE BRACKET (PASSENGER SIDE) | 1 |
| 111 | 72237-G02 | | | | | | BRAKE CABLE BRACKET (DRIVER SIDE)..... | 1 |

CAB COMPONENTS

105 - Includes Items 2 - 3, 7 - 42, 106 - 108



CAB COMPONENTS

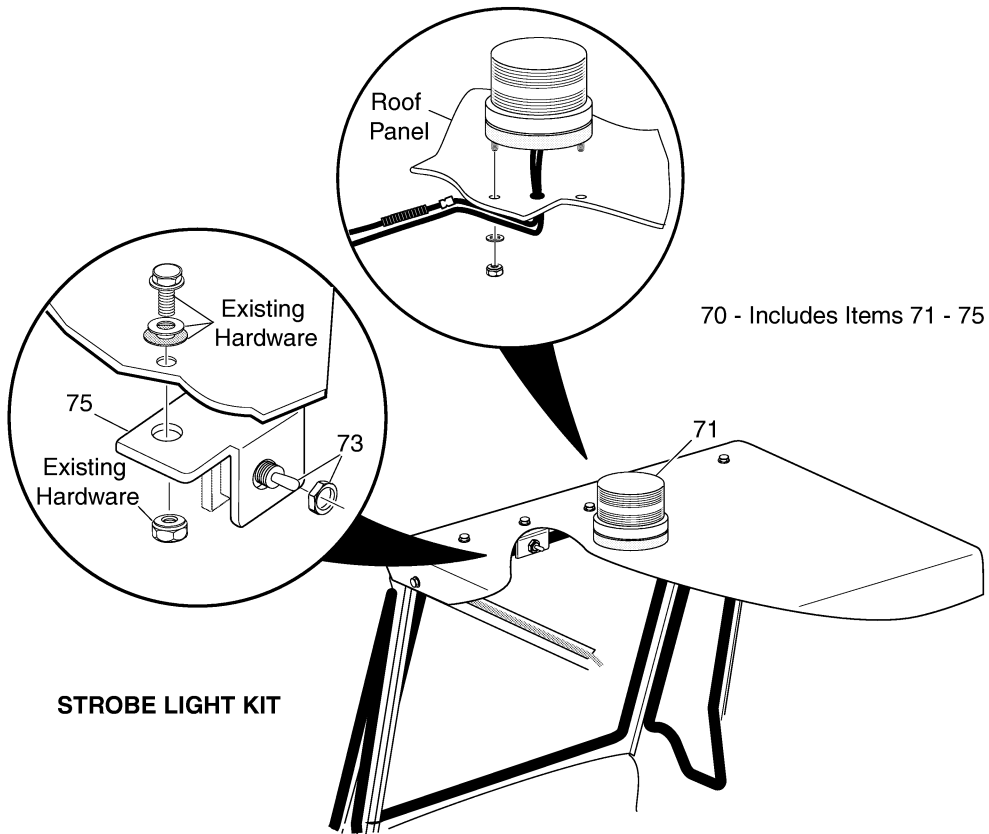
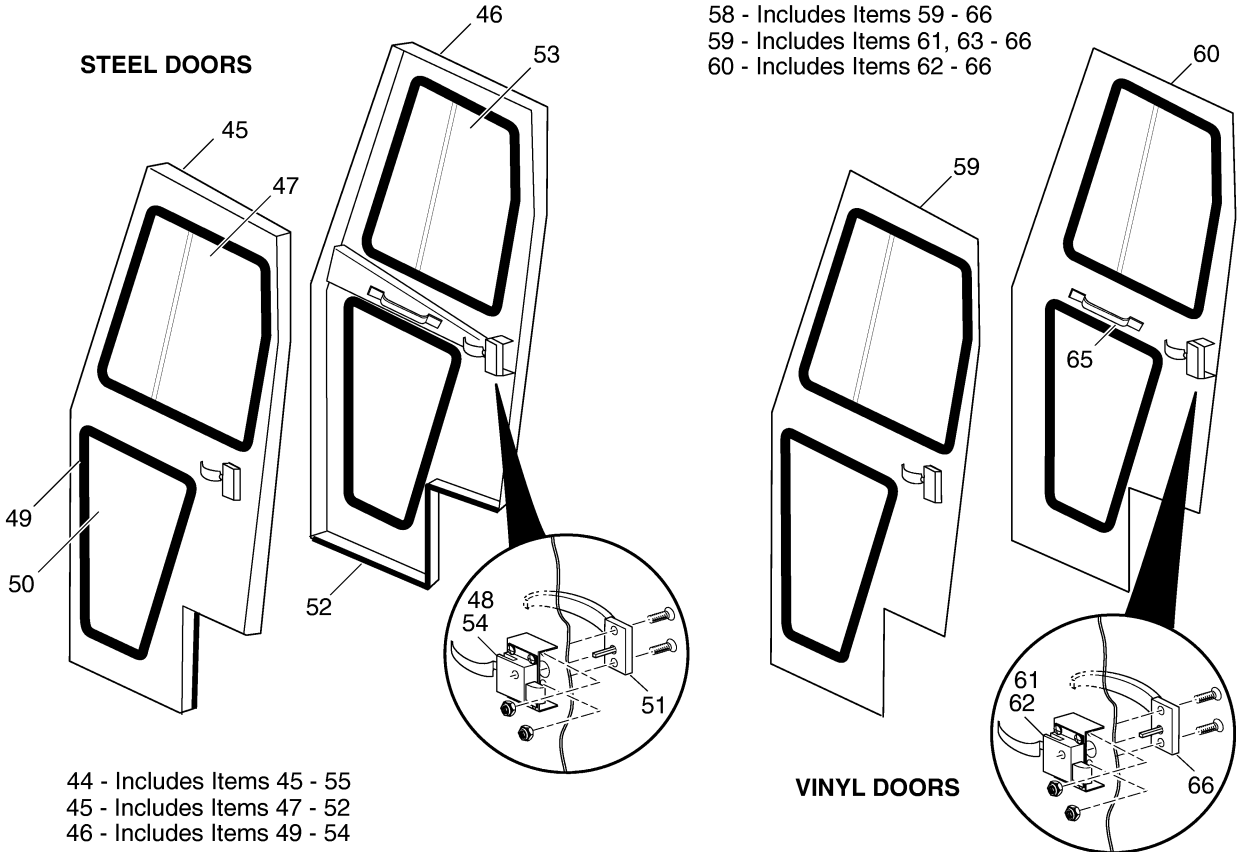


WINDSHIELD WIPER COMPONENTS

33 - Includes Items 34 - 42

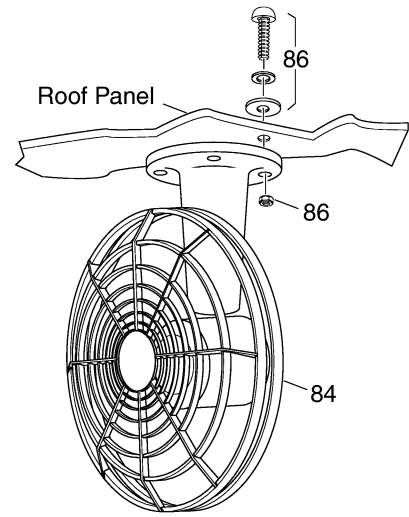
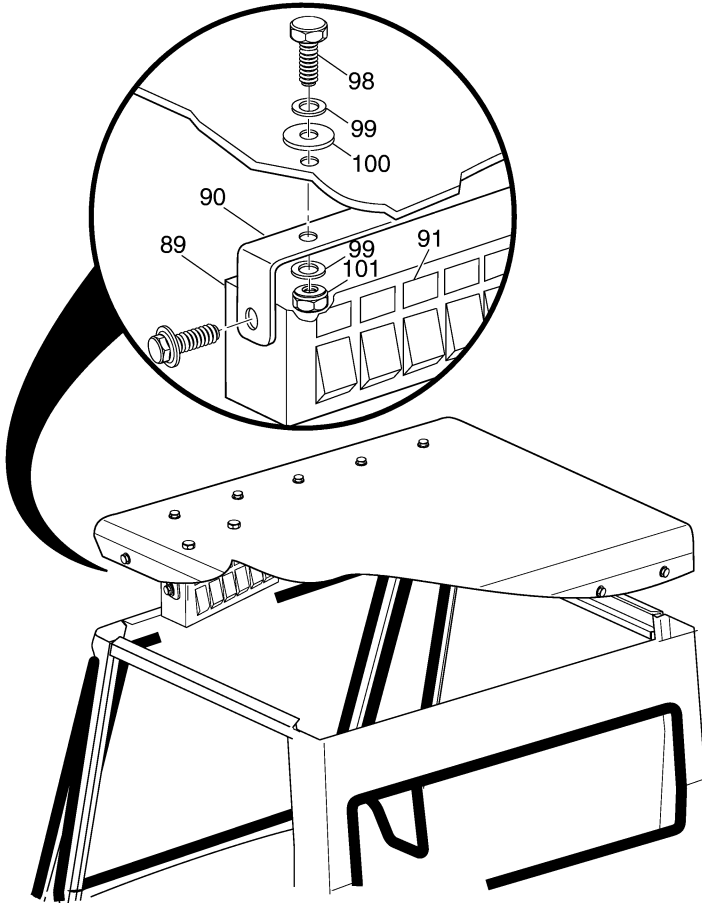
34 - Includes Items 35 - 39





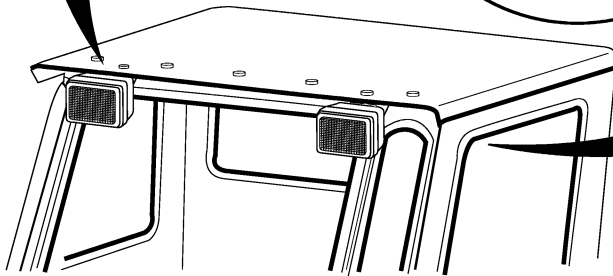
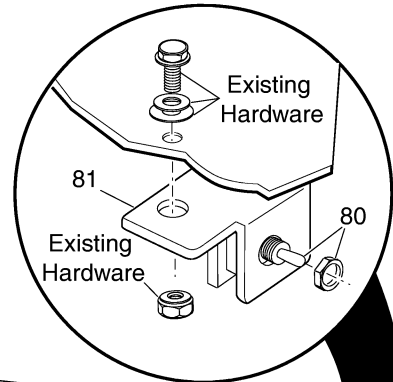
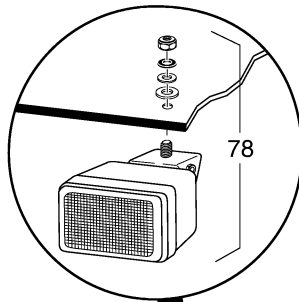
SWITCH PANEL KIT

88 - Includes Items 89 - 103



DEFROSTER / COOLING FAN KIT

83 - Includes Items 84 - 86



WORKLIGHT KIT

77 - Includes Items 78 - 81

CAB (EARLY PRODUCTION)**Gasoline Vehicle**

Replacement parts may be obtained from Curtis Tractor Cab Inc., 111 Higgins Street, Worcester, MA 01606.
Telephone (508) 853-2200, or FAX (508) 854-3377.

* Indicates a component that is not available as an individual part.

| ITEM | PART NO. | 1 2 3 4 5 | DESCRIPTION | QTY. |
|------|------------|-----------|--|------|
| 1 | * | | STEEL CAB (WITHOUT DOORS) | 1 |
| 2 | 74228-G0*A | | ROOF PANEL | 1 |
| 3 | 74228-G0*B | | REAR PANEL | 1 |
| 4 | 74228-G0*C | | WINDSHIELD PANEL | 1 |
| 5 | 74228-G0*D | | FRONT CORNER PANEL (PASSENGER SIDE) | 1 |
| 6 | 74228-G0*E | | FRONT CORNER PANEL (DRIVER SIDE)..... | 1 |
| 7 | 74228-G0*F | | RECEIVER (DRIVER SIDE)..... | 1 |
| 8 | 74228-G0*G | | RECEIVER (PASSENGER SIDE) | 1 |
| 9 | 74228-G0*H | | LOWER MOUNTING BRACKET (DRIVER SIDE) | 1 |
| 10 | 74228-G0*I | | LOWER MOUNTING BRACKET (PASSENGER SIDE)..... | 1 |
| 11 | 70113-G01 | | ADJUSTABLE BUMPER | 2 |
| 12 | 1P004A | | FRONT PANEL COWL SEAL GASKET (85" LG) | 1 |
| 13 | 1P004D | | ROOF TRIM (50")..... | 1 |
| 14 | | | | |
| 15 | 6E03 | | FRONT WINDSHIELD MOUNTING GASKET | 1 |
| 16 | 6E03A | | BOLT, 3/8 - 16 X 7/8" LG | 44 |
| 17 | 6E03B | | LOCK NUT, 3/8 - 16 | 44 |
| 18 | 6E03C | | WASHER, 3/8" | 44 |
| 19 | 6E03D | | NYLON WASHER, 3/8" | 26 |
| 20 | 6E03E | | FRONT PANEL WINDOW..... | 1 |
| 21 | 6E03H | | FRONT CORNER PANEL MOUNTING GASKET | 2 |
| 22 | 6E03J | | REAR PANEL WINDOW MOUNTING GASKET | 1 |
| 23 | 6E03S | | ALLEN BUTTON HEAD BOLT | 4 |
| 24 | | | | |
| 25 | 6E03U | | BOLT, 1/4 - 20 X 1 1/2" LG | 4 |
| 26 | 6E03V | | NYLON SPACER, 1/4" | 4 |
| 27 | 6E03W | | WASHER, 5/16" | 4 |
| 28 | | | | |
| 29 | 6E05A | | FRONT CORNER PANEL WINDOW (PASSENGER SIDE) | 1 |
| 30 | 6E05B | | FRONT CORNER PANEL WINDOW (DRIVER SIDE)..... | 1 |

Gasoline Vehicle**CAB (EARLY PRODUCTION)**

Replacement parts may be obtained from Curtis Tractor Cab Inc., 111 Higgins Street, Worcester, MA 01606.
Telephone (508) 853-2200, or FAX (508) 854-3377.

* Indicates a component that is not available as an individual part.

| ITEM | PART NO. | 1 | 2 | 3 | 4 | 5 | DESCRIPTION | QTY. |
|------|------------|---|---|---|---|---|---|------|
| 31 | 6E05C | | | | | | REAR PANEL WINDOW..... | 1 |
| 32 | | | | | | | | |
| 33 | 74244-G01 | | | | | | WINDSHIELD WIPER KIT (INCLUDES ITEMS 34 - 42) | 1 |
| 34 | 9PWM85 | | | | | | WIPER MOTOR (INCLUDES ITEMS 35 - 39)..... | 1 |
| 35 | * | | | | | | SPACER..... | 1 |
| 36 | * | | | | | | SHAFT COVER (SEAL) | 1 |
| 37 | * | | | | | | NUT | 1 |
| 38 | * | | | | | | BOLT | 1 |
| 39 | * | | | | | | WASHER..... | 1 |
| 40 | 9PWA | | | | | | WIPER ARM..... | 1 |
| 41 | 9PWB | | | | | | WINDSHIELD WIPER BLADE..... | 1 |
| 42 | 9E003 | | | | | | ELECTRICAL HARDWARE KIT (NOT ILLUSTRATED) | 1 |
| 43 | | | | | | | | |
| 44 | 74301-G0* | | | | | | STEEL DOOR KIT (INCLUDES ITEMS 45 - 55)..... | 1 |
| 45 | 74301-G0*A | | | | | | STEEL DOOR (DRIVER SIDE) (INCLUDES ITEMS 47 - 52) | 1 |
| 46 | 74301-G0*B | | | | | | STEEL DOOR (PASSENGER SIDE) (INCLUDES ITEMS 49 - 54)..... | 1 |
| 47 | 6E05D | | | | | | SLIDING DOOR WINDOW ASSEMBLY (DRIVER SIDE)..... | 1 |
| 48 | 9DHSL | | | | | | INSIDE DOOR LATCH (DRIVER SIDE)..... | 1 |
| 49 | 6E03P | | | | | | LOWER DOOR WINDOW MOUNTING GASKET | 1 |
| 50 | 6E05F | | | | | | LOWER DOOR WINDOW | 1 |
| 51 | 9DHOS1 | | | | | | OUTSIDE DOOR HANDLE (KEY LOCKING) | 2 |
| 52 | 1P004B | | | | | | LOWER DOOR SEAL GASKET (43" LG) | 1 |
| 53 | 6E05E | | | | | | SLIDING DOOR WINDOW ASSEMBLY (PASSENGER SIDE) | 1 |
| 54 | 9DHSLR | | | | | | INSIDE DOOR LATCH (PASSENGER SIDE) | 1 |
| 55 | 1P004C | | | | | | DOOR SEAL GASKET (123" LG)..... | 2 |
| 56 | 9P001A | | | | | | REPLACEMENT DOOR HINGE KIT (NOT ILLUSTRATED) | A/R |
| 57 | | | | | | | | |
| 58 | 74242-G01 | | | | | | VINYL DOOR KIT (INCLUDES ITEMS 59 - 66)..... | 1 |
| 59 | 9DVK-L | | | | | | VINYL DOOR (DRIVER SIDE) (INCLUDES ITEMS 61, 63 - 66) | 1 |
| 60 | 9DVK-R | | | | | | VINYL DOOR (PASSENGER SIDE) (INCLUDES ITEMS 62 - 66)..... | 1 |

Replacement parts may be obtained from Curtis Tractor Cab Inc., 111 Higgins Street, Worcester, MA 01606. Telephone (508) 853-2200, or FAX (508) 854-3377.

* Indicates a component that is not available as an individual part.

| ITEM | PART NO. | 1 2 3 4 5 | DESCRIPTION | QTY. |
|------|-----------|-----------|--|------|
| 61 | 9DHSL | | INSIDE DOOR LATCH (DRIVER SIDE)..... | 1 |
| 62 | 9DHSLR | | INSIDE DOOR LATCH (PASSENGER SIDE) | 1 |
| 63 | 9DCK | | DOOR CHECK (NOT ILLUSTRATED) | 1 |
| 64 | 9DSTK1 | | DOOR STRIKER (NOT ILLUSTRATED) | 1 |
| 65 | 9DGH1 | | DOOR GRAB HANDLE | 1 |
| 66 | 9DHOS1 | | OUTSIDE DOOR HANDLE (KEY LOCKING) | 1 |
| 67 | 9PSSH | | REPLACEMENT DOOR HINGE (DRIVER SIDE) (NOT ILLUSTRATED)..... | 1 |
| 68 | 9PSSHR | | REPLACEMENT DOOR HINGE (PASSENGER SIDE) (NOT ILLUSTRATED) .. | 1 |
| 69 | | | | |
| 70 | 74245-G01 | | STROBE LIGHT KIT (INCLUDES ITEMS 71 - 75)..... | 1 |
| 71 | 9PSLRL | | STROBE LENS..... | 1 |
| 72 | 9E001 | | ELECTRICAL HARDWARE KIT (NOT ILLUSTRATED) | 1 |
| 73 | 9E002 | | TOGGLE SWITCH..... | 1 |
| 74 | 9PSLRB | | REPLACEMENT BULB (NOT ILLUSTRATED) | 1 |
| 75 | 9PB001 | | BRACKET | 1 |
| 76 | | | | |
| 77 | 74247-G01 | | WORK LIGHT KIT (INCLUDES ITEMS 78 - 81) | 1 |
| 78 | 9LW1A | | WORK LIGHT (INCLUDES HARDWARE)..... | 2 |
| 79 | 9E001 | | ELECTRICAL HARDWARE KIT (NOT ILLUSTRATED) | 1 |
| 80 | 9E002 | | TOGGLE SWITCH..... | 1 |
| 81 | 9PB001 | | BRACKET | 1 |
| 82 | | | | |
| 83 | 74248-G01 | | DEFROSTER / COOLING FAN KIT (INCLUDES ITEMS 84 - 86) | 1 |
| 84 | 9PDF | | FAN..... | 1 |
| 85 | 9E001 | | ELECTRICAL HARDWARE KIT (NOT ILLUSTRATED) | 1 |
| 86 | 9PFHK | | HARDWARE KIT | 1 |
| 87 | | | | |
| 88 | 74250-G01 | | SWITCH PANEL KIT (INCLUDES ITEMS 89 - 103) | 1 |
| 89 | 9PSF1-001 | | SWITCH PANEL | 1 |
| 90 | 9PSF1-002 | | MOUNTING BRACKET AND HARDWARE | 1 |

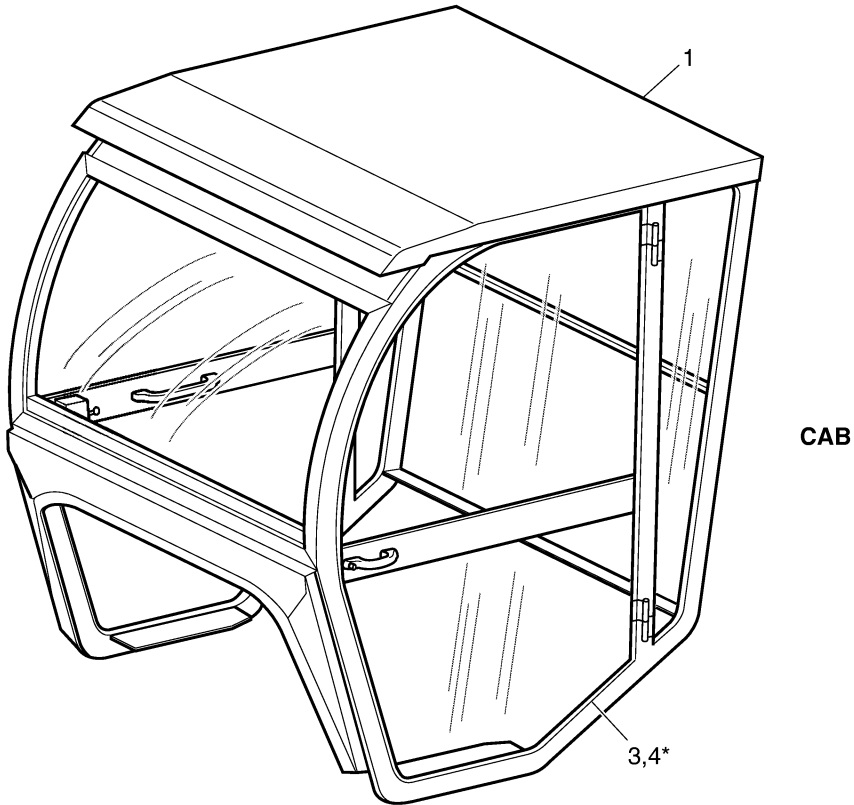
Gasoline Vehicle

CAB (EARLY PRODUCTION)

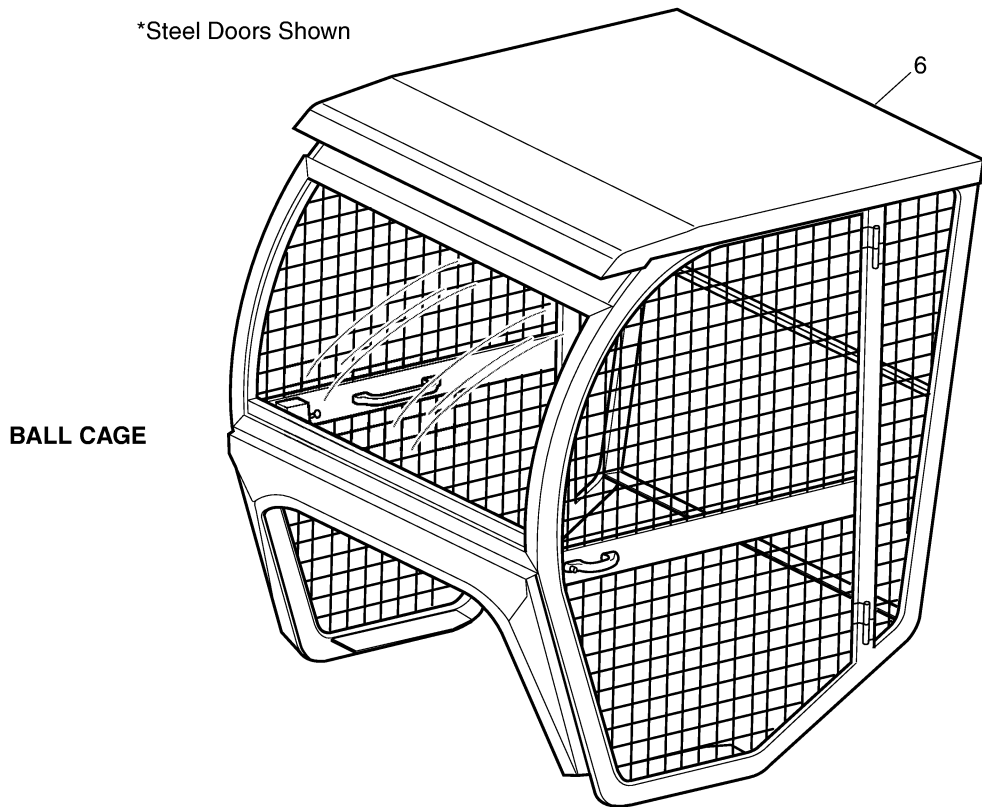
Replacement parts may be obtained from Curtis Tractor Cab Inc., 111 Higgins Street, Worcester, MA 01606. Telephone (508) 853-2200, or FAX (508) 854-3377.

* Indicates a component that is not available as an individual part.

| ITEM | PART NO. | 1 | 2 | 3 | 4 | 5 | DESCRIPTION | QTY. |
|------|------------|---|---|---|---|---|--|------|
| 91 | 9PSF1-003 | | | | | | ADHESIVE LABELS | 1 |
| 92 | 9PSF1-004 | | | | | | 3 AMP FUSE (NOT ILLUSTRATED) | 2 |
| 93 | 9PSF1-005 | | | | | | 5 AMP FUSE (NOT ILLUSTRATED) | 3 |
| 94 | 9PSF1-006 | | | | | | 7.5 AMP FUSE (NOT ILLUSTRATED) | 1 |
| 95 | 9PSF1-007 | | | | | | FLEX LOOM, 5/8" X 10 FT LG (NOT ILLUSTRATED) | 1 |
| 96 | 9PSF1-008 | | | | | | 4-WAY BASE TIE (NOT ILLUSTRATED) | 6 |
| 97 | 9PSF1-009 | | | | | | WIRE TIE (NOT ILLUSTRATED)..... | 14 |
| 98 | 9PSF1-010 | | | | | | BOLT, 1/4 - 20 X 7/8" LG | 2 |
| 99 | 9PSF1-011 | | | | | | WASHER, 1/4" | 4 |
| 100 | 9PSF1-012 | | | | | | NYLON WASHER, 1/4" | 2 |
| 101 | 9PSF1-013 | | | | | | LOCK NUT, 1/4 - 20..... | 2 |
| 102 | 9PSF1-014 | | | | | | 10 GA WIRE (RED 8") (NOT ILLUSTRATED)..... | 1 |
| 103 | 9PSF1-015 | | | | | | 10 GA WIRE (BLACK 8") (NOT ILLUSTRATED)..... | 1 |
| 104 | | | | | | | | |
| 105 | * | | | | | | STEEL CAB (WITHOUT DOORS) (LX / SE) | 1 |
| 106 | 74227-G0*C | | | | | | WINDSHIELD PANEL..... | 1 |
| 107 | 74227-G0*D | | | | | | FRONT CORNER PANEL (PASSENGER SIDE) | 1 |
| 108 | 74227-G0*E | | | | | | FRONT CORNER PANEL (DRIVER SIDE) | 1 |
| 109 | | | | | | | | |
| 110 | | | | | | | | |
| 111 | 6E03T | | | | | | BED SPACER | 2 |



*Steel Doors Shown



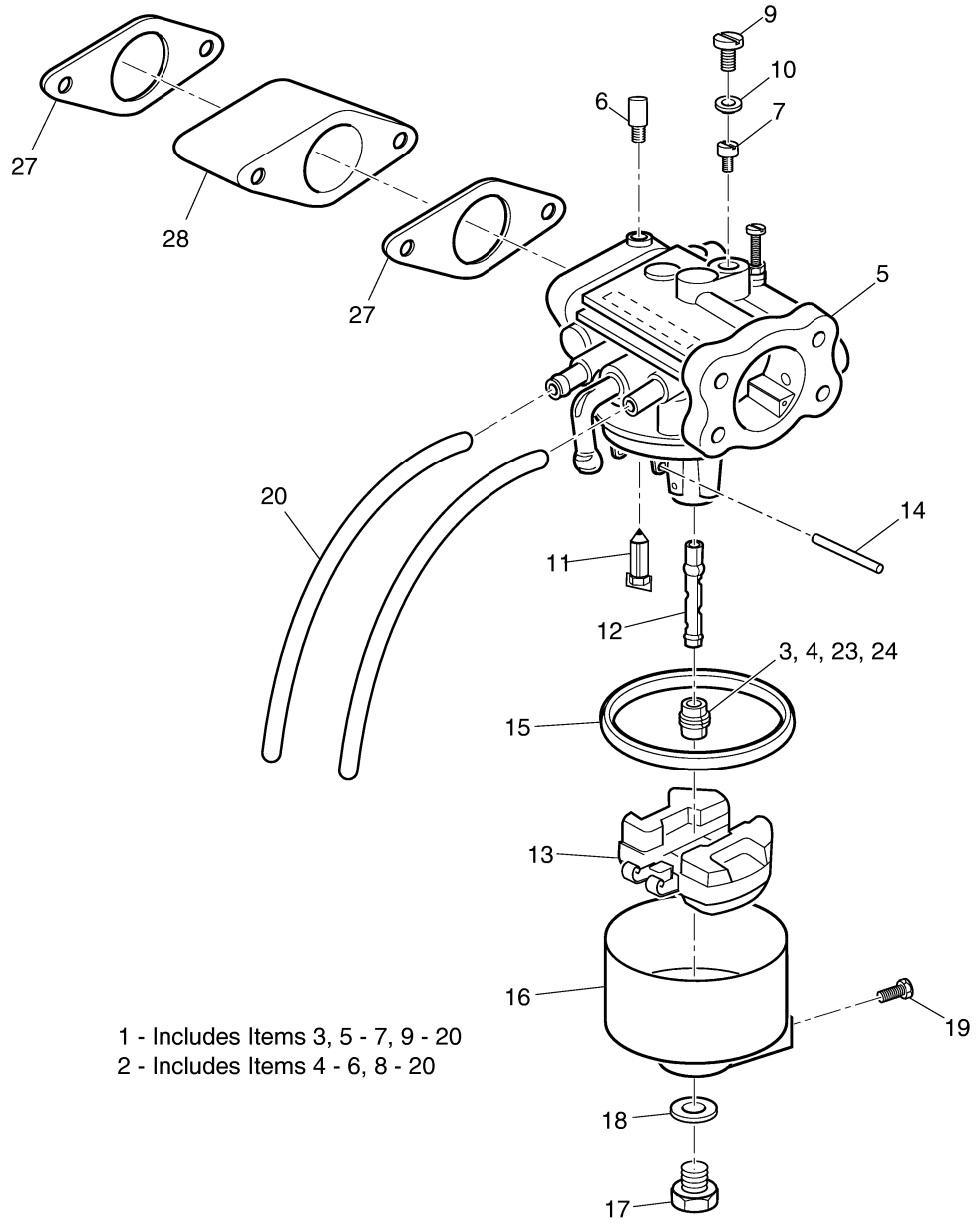
For Cab Accessories, See ACCESSORIES LISTING in Appendix B

Gasoline Vehicle**CAB (LATE PRODUCTION)**

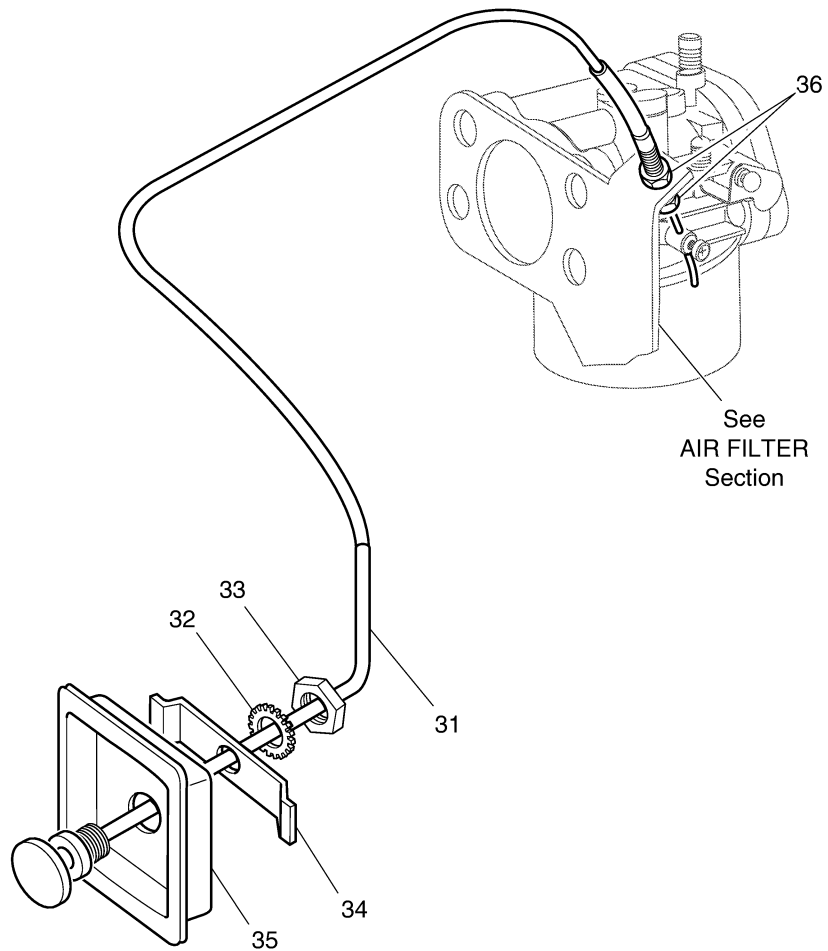
Replacement parts may be obtained from Curtis Tractor Cab Inc., 111 Higgins Street, Worcester, MA 01606.
 Telephone (508) 853-2200, or FAX (508) 854-3377.

* Indicates a component that is not available as an individual part.

| ITEM | PART NO. | 1 2 3 4 5 | DESCRIPTION | QTY. |
|------|-----------|-----------|---|------|
| 1 | 75854-G** | | STEEL CAB (WITHOUT DOORS) REPACEMENT PARTS AND ACCESSORIES MAY BE OBTAINED FROM CURTIS CAB, INC. | 1 |
| 2 | | | | |
| 3 | 75855-G01 | | VINYL DOOR KIT | 1 |
| 4 | 75856-G** | | STEEL DOOR KIT | 1 |
| 5 | | | | |
| 6 | 75853-G01 | | BALL CAGE | 1 |



1 - Includes Items 3, 5 - 7, 9 - 20
2 - Includes Items 4 - 6, 8 - 20



CARBURETOR AND CHOKE

Gasoline Vehicle

When ordering parts, please specify the model and serial number of the product.

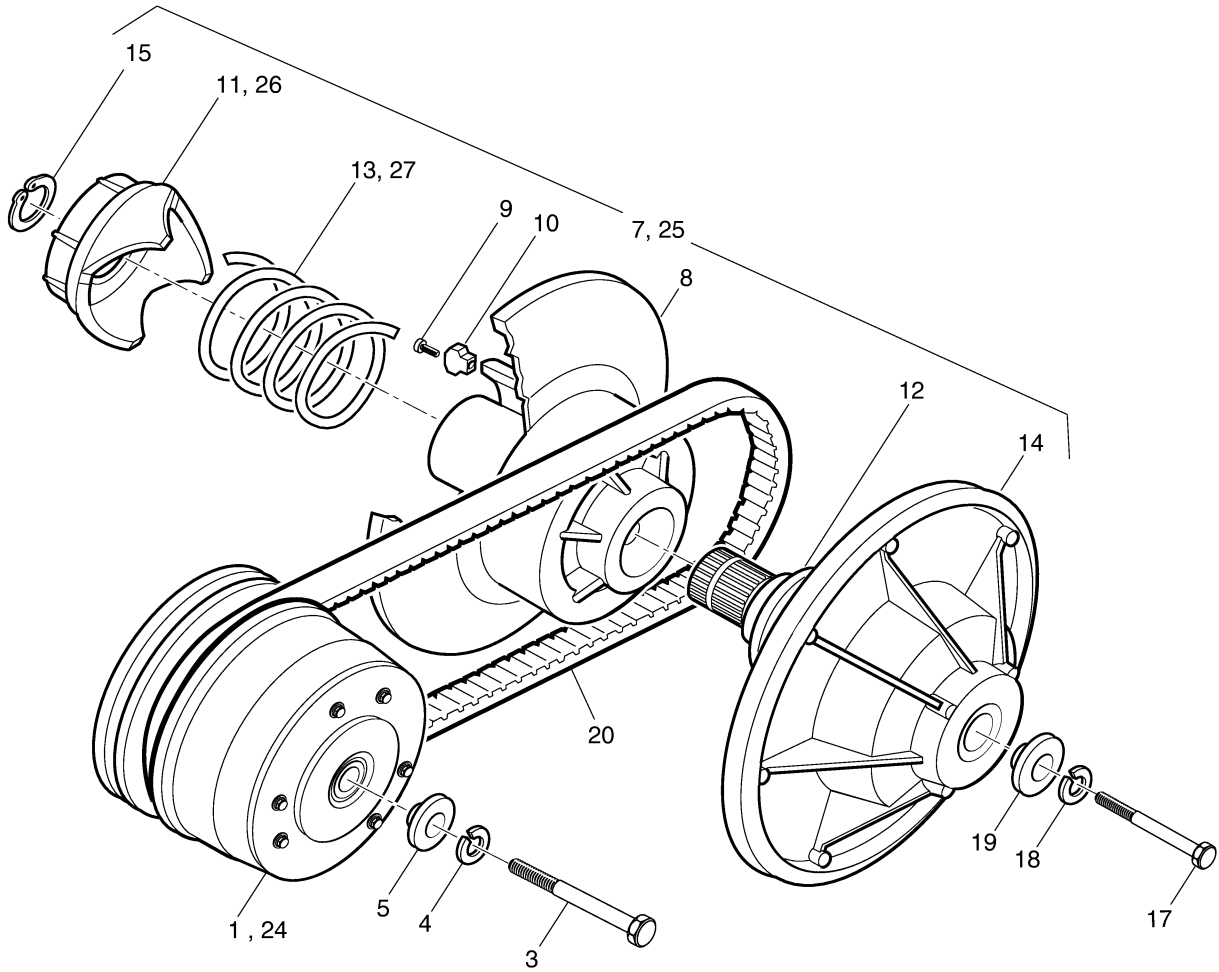
* Indicates a component that is not available as an individual part.

G** Indicates consult Customer Service Department for additional information.

| ITEM | PART NO. | 1 2 3 4 5 | DESCRIPTION | QTY. |
|------|-----------|-----------|--|------|
| 1 | 72558-G01 | | CARBURETOR ASSEMBLY (FOR FUJI ENGINE P/N EH35CPG5032) (INCLUDES ITEMS 3, 5 - 7, 9 - 20) | 1 |
| 2 | 72558-G05 | | CARBURETOR ASSEMBLY (FOR FUJI ENGINE P/N EH35CPG5033) (INCLUDES ITEMS 4 - 7, 8 - 20) | 1 |
| 3 | 26646-G09 | | MAIN JET (#92)..... | 1 |
| 4 | 26646-G07 | | MAIN JET (#90)..... | 1 |
| 5 | * | | CARBURETOR BODY | 1 |
| 6 | * | | PILOT SCREW..... | 1 |
| 7 | 26649-G05 | | PILOT JET (#46) | 1 |
| 8 | | | | |
| 9 | 26841-G01 | | PLUG..... | 1 |
| 10 | 72306-G01 | | GASKET | 1 |
| 11 | 72578-G01 | | NEEDLE VALVE | 1 |
| 12 | * | | MAIN NOZZLE | 1 |
| 13 | 26648-G01 | | FLOAT | 1 |
| 14 | 26840-G01 | | FLOAT PIN | 1 |
| 15 | 26843-G01 | | FLOAT BOWL GASKET | 1 |
| 16 | 26844-G01 | | FLOAT CHAMBER | 1 |
| 17 | 26839-G01 | | BOWL SCREW..... | 1 |
| 18 | 26838-G01 | | BOWL GASKET | 1 |
| 19 | * | | DRAIN SCREW | 1 |
| 20 | 26650-G01 | | VENT TUBE | 2 |
| 21 | | | | |
| 22 | | | | |
| 23 | 26646-G01 | | MAIN JET #88 (FOR ELEVATIONS OF 3000 FT - 6000 FT) | 1 |
| 24 | 26646-G08 | | MAIN JET #86 (FOR ELEVATIONS OF 6000 FT - 10000 FT) | 1 |
| 25 | | | | |
| 26 | | | | |
| 27 | 26726-G01 | | CARBURETOR MOUNT GASKET | 2 |
| 28 | 72311-G01 | | CARBURETOR INSULATOR..... | 1 |
| 29 | | | | |

When ordering parts, please specify the model and serial number of the product.
 * Indicates a component that is not available as an individual part.
 G** Indicates consult Customer Service Department for additional information.

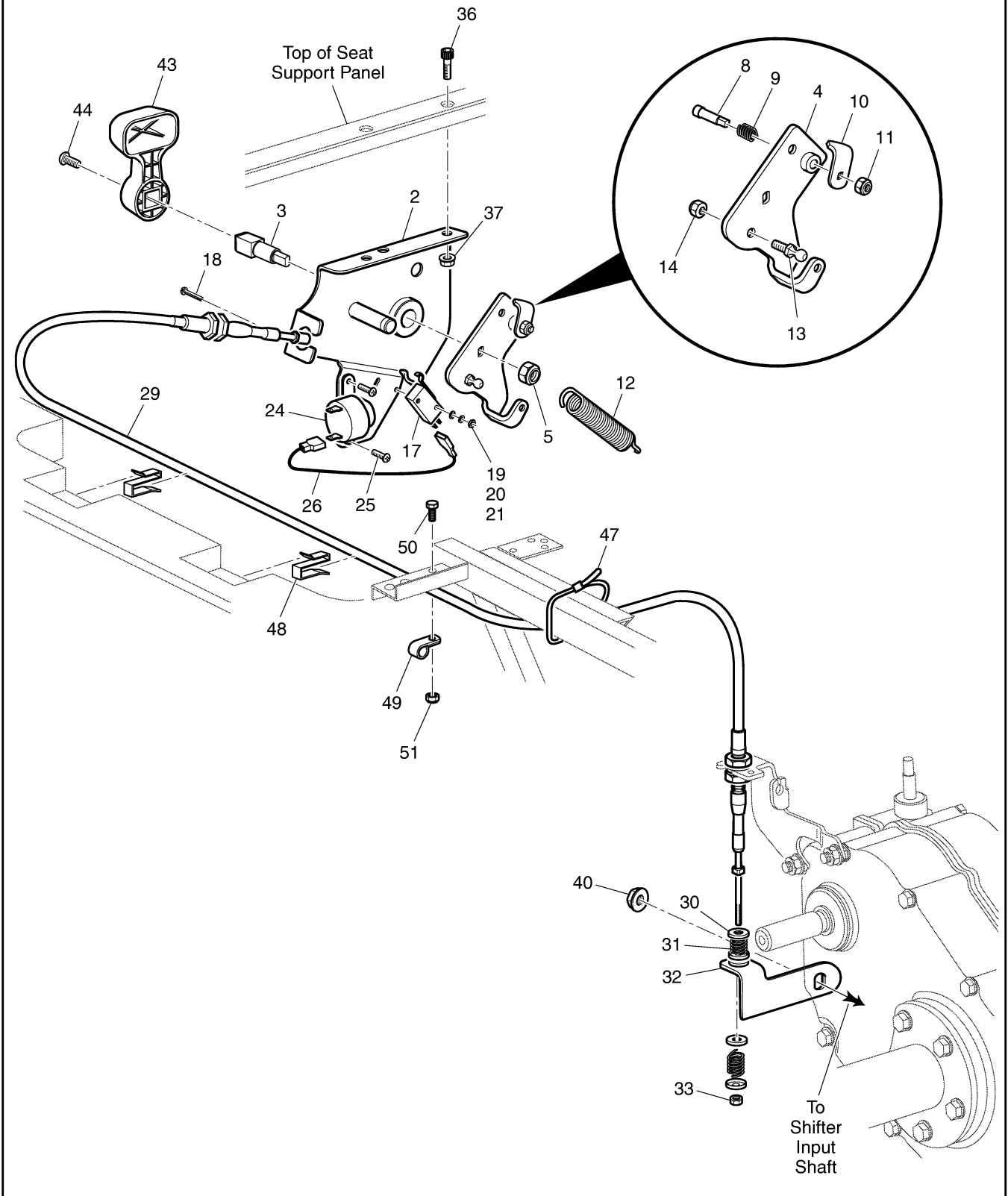
| ITEM | PART NO. | 1 2 3 4 5 | DESCRIPTION | QTY. |
|------|-----------|-----------|-------------------------------|------|
| 30 | | | | |
| 31 | 72401-G02 | | CHOKE CABLE (WITH NUTS) | 1 |
| 32 | 00568-G4 | | LOCK WASHER, 9/16"..... | 1 |
| 33 | 00545-G4 | | NUT, 9/16 - 18 | 1 |
| 34 | 72155-G01 | | RETAINER | 1 |
| 35 | 72154-G01 | | CHOKE CABLE ADAPTER..... | 1 |
| 36 | 00544-G4 | | JAM NUT, 5/16 - 24 | 2 |



When ordering parts, please specify the model and serial number of the product.
 * Indicates a component that is not available as an individual part.
 G** Indicates consult Customer Service Department for additional information.

| ITEM | PART NO. | 1 2 3 4 5 | DESCRIPTION | QTY. |
|------|-----------|-----------|--|------|
| 1 | 26952-G01 | | DRIVE CLUTCH | 1 |
| 2 | | | | |
| 3 | 00473-G9 | | BOLT, 7/16 - 20 X 6 1/2" LG | 1 |
| 4 | 00566-G2 | | LOCK WASHER, 7/16" | 1 |
| 5 | 25757-G1 | | PILOT WASHER | 1 |
| 6 | | | | |
| 7 | 26301-G02 | | DRIVEN CLUTCH ASSEMBLY (INCLUDES ITEMS 8 - 15) | 1 |
| 8 | * | | MOVABLE SHEAVE (INCLUDES ITEMS 9 -10) | 1 |
| 9 | 00979-G01 | | SCREW, #10 - 24 X 7/8" LG | 3 |
| 10 | 26479-G01 | | RAMP BUTTON | 3 |
| 11 | * | | CAM..... | 1 |
| 12 | 24600-G1 | | SPACER | 1 |
| 13 | 26304-G01 | | COMPRESSION SPRING | 1 |
| 14 | * | | SHEAVE AND POST | 1 |
| 15 | 27270-G01 | | HEAVY DUTY RETAINING RING..... | 1 |
| 16 | | | | |
| 17 | 00441-G8 | | BOLT, 5/16 - 18 X 4" LG..... | 1 |
| 18 | 00565-G8 | | LOCK WASHER, 5/16" | 4 |
| 19 | 25756-G1 | | RETAINING WASHER | 1 |
| 20 | 72328-G01 | | DRIVE BELT (SEVERE DUTY)..... | 1 |
| 21 | | | | |
| 22 | | | | |
| 23 | | | | |
| 24 | 26952-G01 | | DRIVE CLUTCH (HIGH ALTITUDE) | 1 |
| 25 | 25632-G03 | | DRIVEN CLUTCH (HIGH ALTITUDE) (INCLUDES ITEMS 8, 12, 14, 15, 26, 27)..... | 1 |
| 26 | * | | CAM..... | 1 |
| 27 | 25612-G1 | | COMPRESSION SPRING | 1 |

1 - Includes Items 2 - 33



When ordering parts, please specify the model and serial number of the product.

* Indicates a component that is not available as an individual part.

G** Indicates consult Customer Service Department for additional information.

| ITEM | PART NO. | 1 | 2 | 3 | 4 | 5 | DESCRIPTION | QTY. |
|------|------------|---|---|---|---|---|---|------|
| 1 | 72721-G03 | | | | | | DIRECTION SELECTOR ASSEMBLY (INCLUDES ITEMS 2 - 33) | 1 |
| 2 | 74456-G01 | | | | | | DIRECTION SELECTOR BRACKET | 1 |
| 3 | 70233-G01 | | | | | | DIRECTION SELECTOR SHAFT | 1 |
| 4 | 72738-G01 | | | | | | DIRECTION SELECTOR CAM | 1 |
| 5 | 14390-G1 | | | | | | LOCK NUT, 3/8 - 24..... | 1 |
| 6 | | | | | | | | |
| 7 | | | | | | | | |
| 8 | 72724-G01 | | | | | | NEUTRAL LOCK PIN..... | 1 |
| 9 | 72733-G01 | | | | | | COMPRESSION SPRING, 3/8" X 5/8" LG..... | 1 |
| 10 | 72729-G01 | | | | | | NEUTRAL LOCK LATCH | 1 |
| 11 | 00734-G2 | | | | | | LOCK NUT, 1/4 - 28..... | 1 |
| 12 | 28574-G01 | | | | | | EXTENSION SPRING..... | 1 |
| 13 | 72732-G01 | | | | | | BALL STUD..... | 1 |
| 14 | 00734-G5 | | | | | | LOCK NUT, #10 - 32..... | 1 |
| 15 | | | | | | | | |
| 16 | | | | | | | | |
| 17 | 72736-G01 | | | | | | MICRO SWITCH | 1 |
| 18 | 01062-G01 | | | | | | SCREW, #4 - 40 X 1" LG..... | 2 |
| 19 | 00559-G1 | | | | | | WASHER, #4..... | 2 |
| 20 | 00565-G1 | | | | | | LOCK WASHER, #4..... | 2 |
| 21 | 00526-G2 | | | | | | NUT, #4 - 40 | 2 |
| 22 | | | | | | | | |
| 23 | | | | | | | | |
| 24 | 73290-G03 | | | | | | REVERSE WARNING BUZZER..... | 1 |
| 25 | 01063-G01 | | | | | | SCREW, #6 - 32 X 3/8" LG..... | 2 |
| 26 | 25978-G345 | | | | | | 18 GA WIRE (RED 7")..... | 1 |
| 27 | | | | | | | | |
| 28 | | | | | | | | |
| 29 | 72734-G03 | | | | | | SHIFTER CABLE..... | 1 |
| 30 | 25727-G01 | | | | | | CUP WASHER | 4 |

DIRECTION SELECTOR - SINGLE CABLE**Gasoline Vehicle**

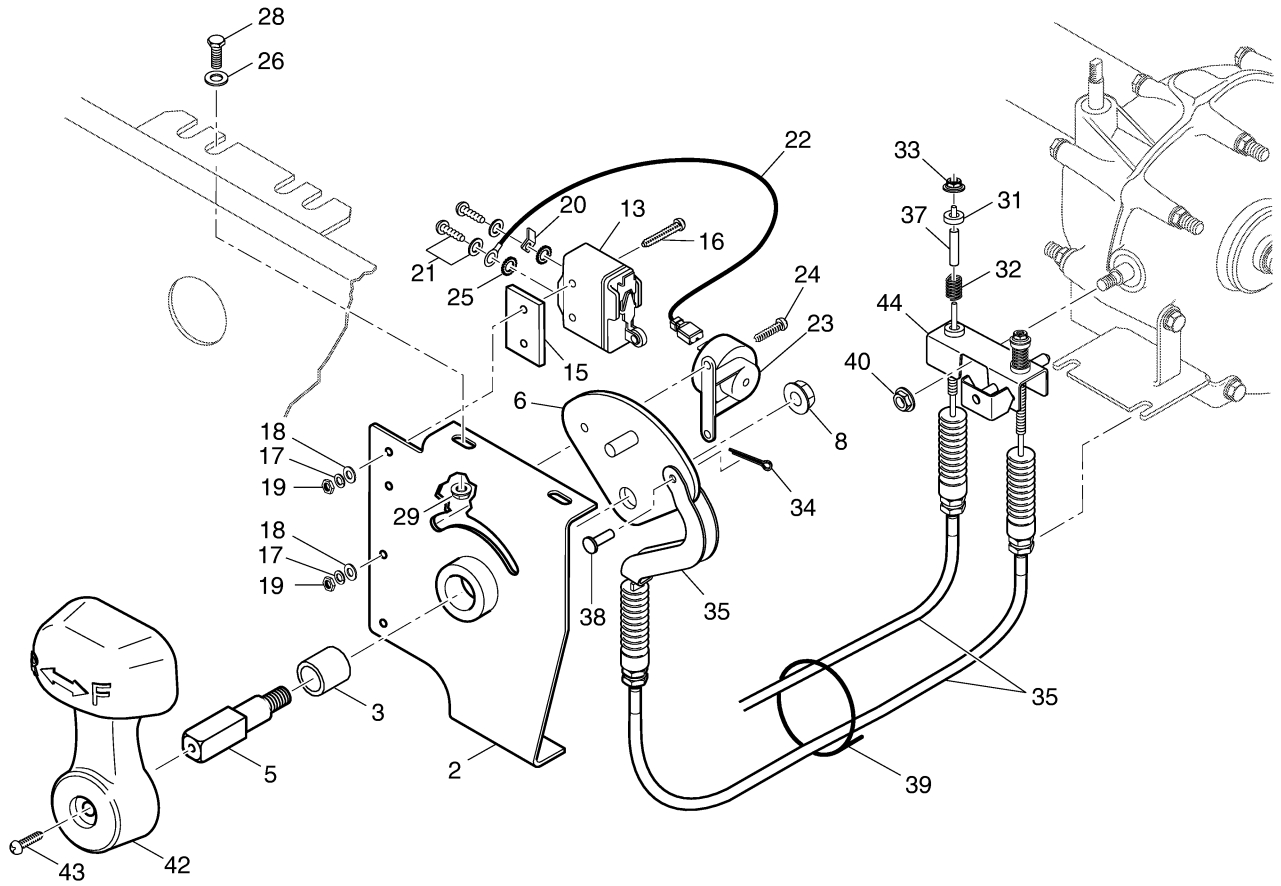
When ordering parts, please specify the model and serial number of the product.

* Indicates a component that is not available as an individual part.

G** Indicates consult Customer Service Department for additional information.

| ITEM | PART NO. | 1 2 3 4 5 | DESCRIPTION | QTY. |
|------|-----------|-----------|---|------|
| 31 | 72735-G01 | | COMPRESSION SPRING, 19/32" X 1" LG | 2 |
| 32 | 74455-G01 | | SHIFTER ARM | 1 |
| 33 | 00734-G5 | | LOCK NUT, #10 - 32..... | 1 |
| 34 | | | | |
| 35 | | | | |
| 36 | 70227-G01 | | SCREW, 1/4 - 20 X 7/8" LG | 2 |
| 37 | 11027-G2 | | LOCK NUT, 1/4 - 20 | 2 |
| 38 | | | | |
| 39 | | | | |
| 40 | 26830-G01 | | LOCK NUT, M8 X 1.25 MM | 1 |
| 41 | | | | |
| 42 | | | | |
| 43 | 71205-G01 | | DIRECTION SELECTOR HANDLE..... | 1 |
| 44 | 00740-G4 | | SCREW, #10 - 32 X 1/2" LG (STAINLESS STEEL) | 1 |
| 45 | | | | |
| 46 | | | | |
| 47 | 31539-G1 | | WIRE TIE | 1 |
| 48 | 01072-G01 | | CABLE CLIP | 2 |
| 49 | 11845-G5 | | CLIP, 3/8" | 1 |
| 50 | 00414-G6 | | BOLT, 1/4 - 20 X 3/4" LG..... | 1 |
| 51 | 14390-G4 | | LOCK NUT, 1/4 - 20 | 1 |

1 - Includes Items 2 - 29



SELECTOR - DUAL CABLE

Number of the product.
 Part.
 Additional information.

| DESCRIPTION | QTY. |
|--|------|
| ASSEMBLY (INCLUDES ITEMS 2 - 29) | 1 |
| BUCKET | 1 |
| | 1 |
| | |
| CABLE | 1 |
| | 1 |
| | |
| | 1 |
| | |
| | |
| | 1 |
| | |
| | 1 |
| | |
| | 2 |
| | 4 |
| | 4 |
| | 4 |
| | 1 |
| ASSEMBLY | 2 |
| | 1 |
| CABLE | 1 |
| | 2 |
| | 2 |
| | 2 |
| | 2 |
| | 2 |

DIRECTION SELECTOR - DUAL CABLE**Gasoline Vehicle**

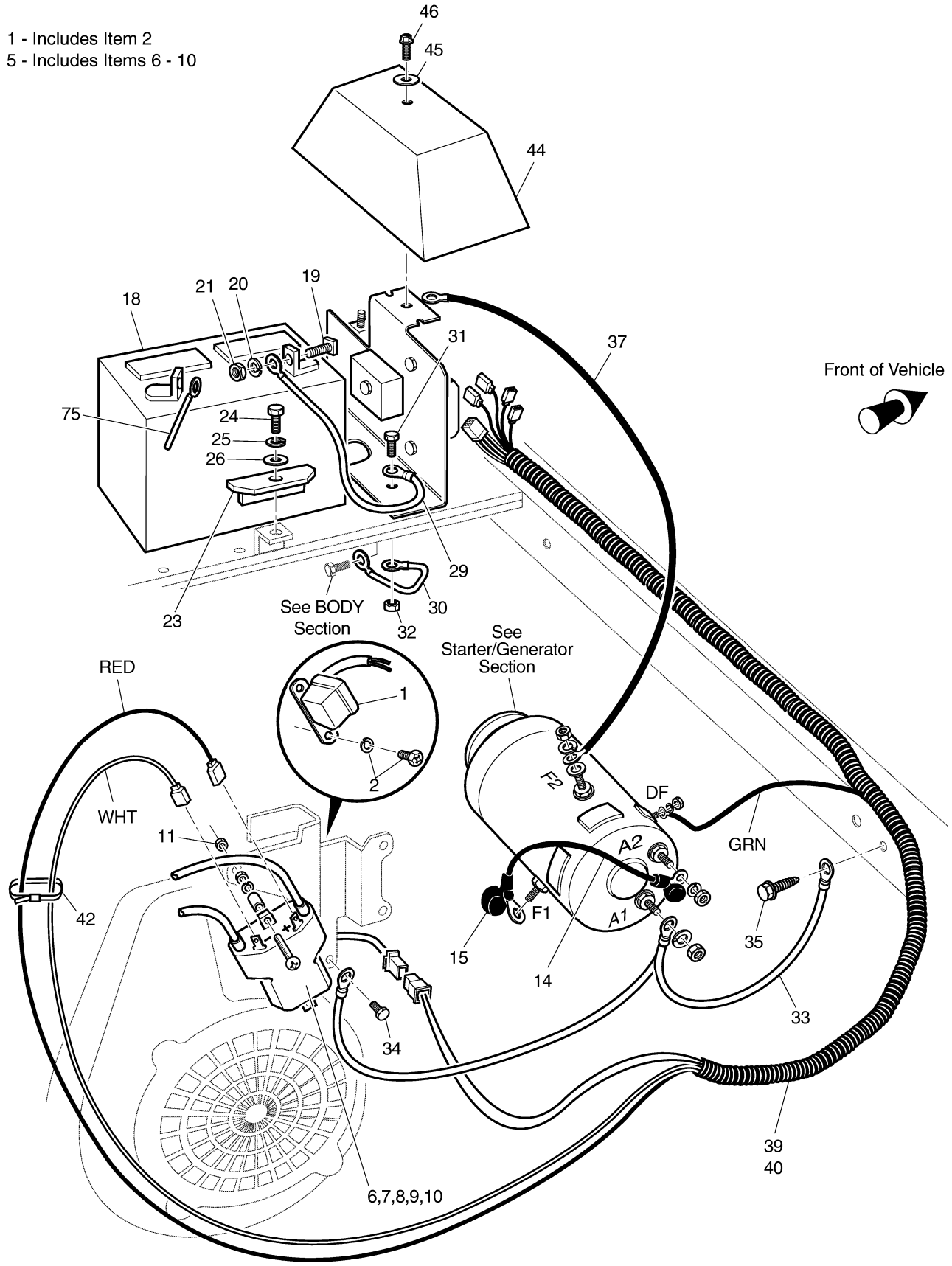
When ordering parts, please specify the model and serial number of the product.

* Indicates a component that is not available as an individual part.

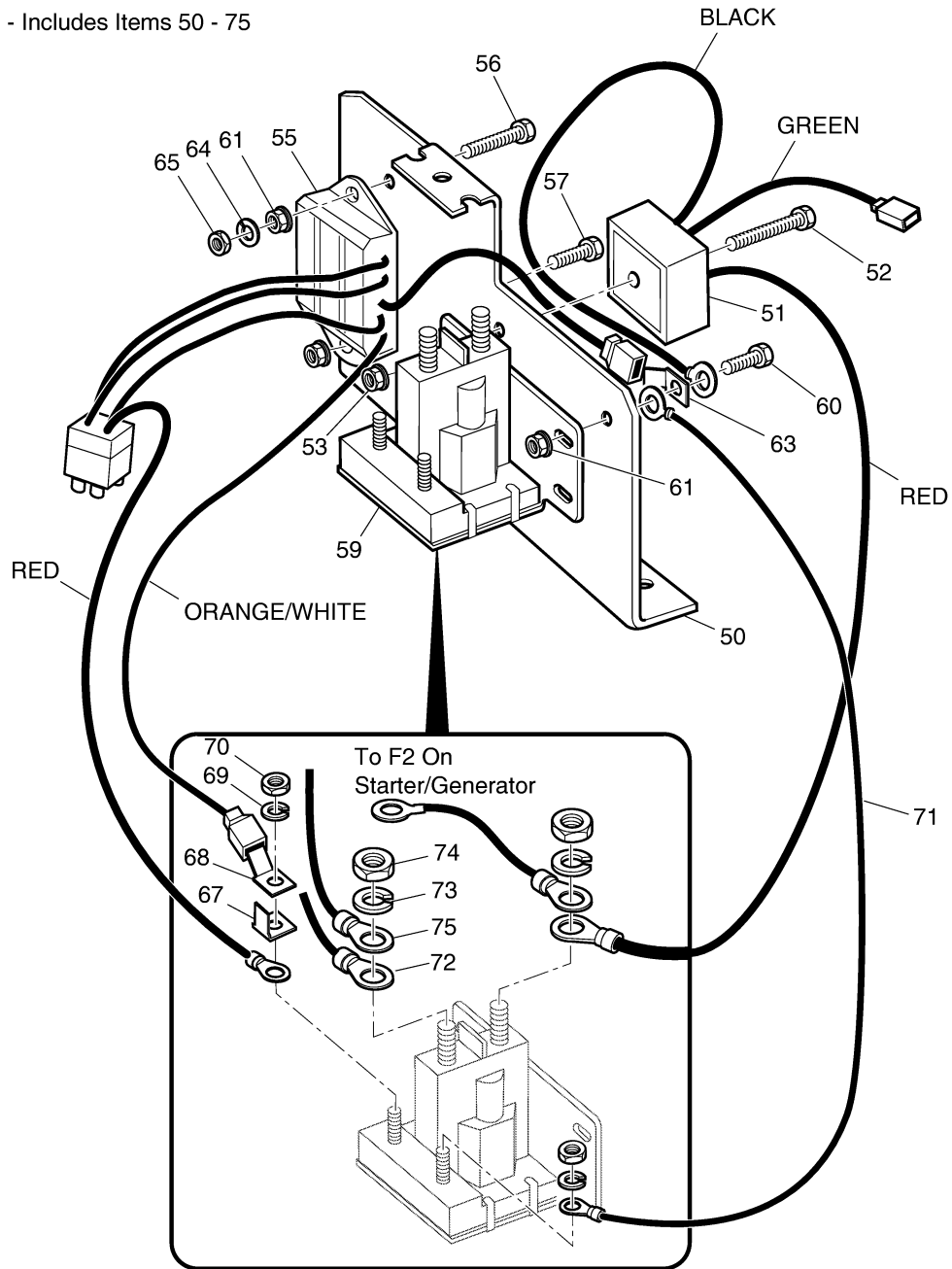
G** Indicates consult Customer Service Department for additional information.

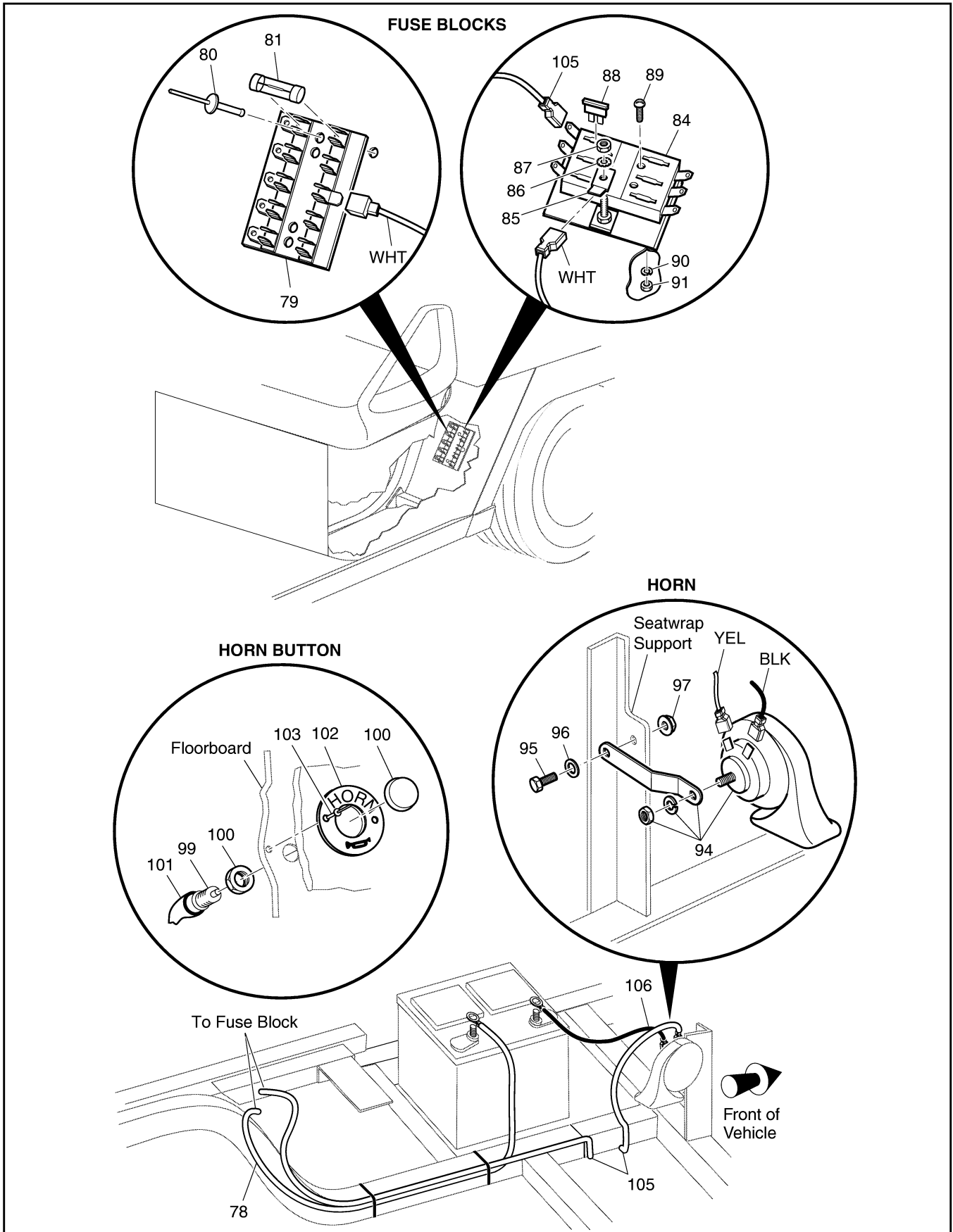
| ITEM | PART NO. | 1 2 3 4 5 | DESCRIPTION | QTY. |
|------|-----------|-----------|---|------|
| 31 | 25727-G01 | | CUP WASHER | 4 |
| 32 | 27764-G01 | | SPRING | 2 |
| 33 | 11098-G7 | | LOCK NUT, #10 - 24 | 2 |
| 34 | 10387-G8 | | COTTER PIN, 1/16" X 3/4" LG..... | 2 |
| 35 | 72341-G01 | | SHIFTER CONTROL CABLE..... | 2 |
| 36 | | | | |
| 37 | 23726-G5 | | SPACER..... | 2 |
| 38 | 23176-G1 | | CLEVIS PIN, 5/16" X 1/2" LG..... | 2 |
| 39 | 17618-G1 | | WIRE TIE | 1 |
| 40 | 26830-G01 | | LOCK NUT, M8 X 1.25 MM | 1 |
| 41 | | | | |
| 42 | 71205-G01 | | DIRECTION SELECTOR HANDLE..... | 1 |
| 43 | 00740-G4 | | SCREW, #10 - 32 X 1/2" LG (STAINLESS STEEL) | 1 |
| 44 | 72619-G01 | | SHIFTER CONTROL PIVOT..... | 1 |

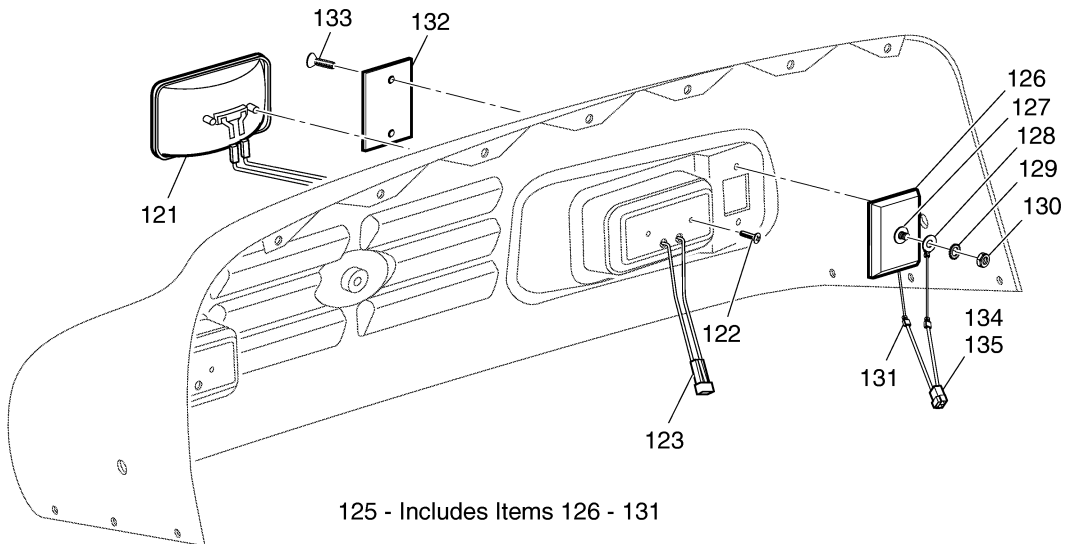
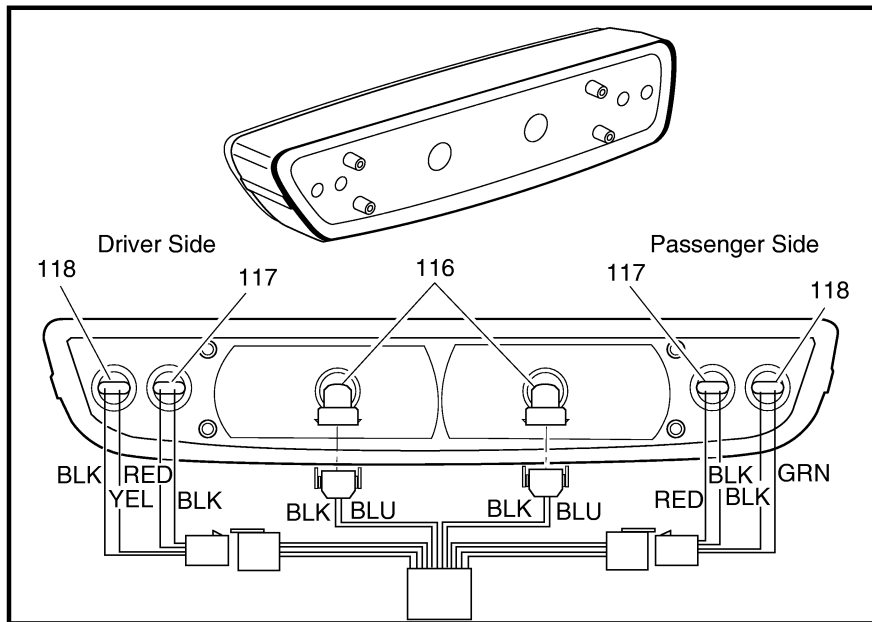
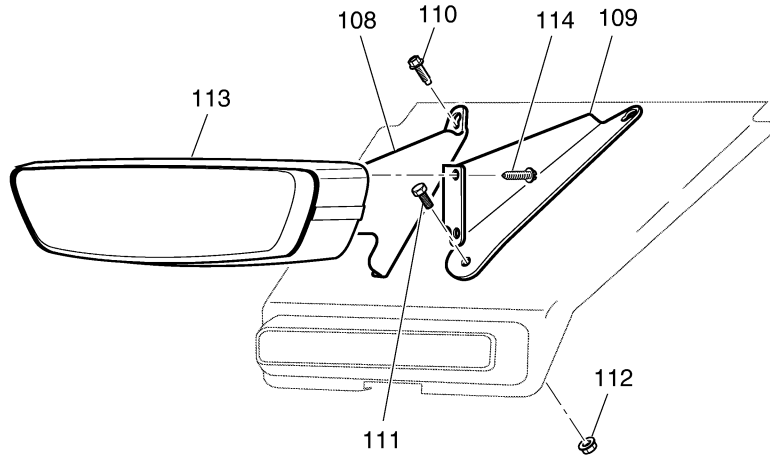
- 1 - Includes Item 2
- 5 - Includes Items 6 - 10



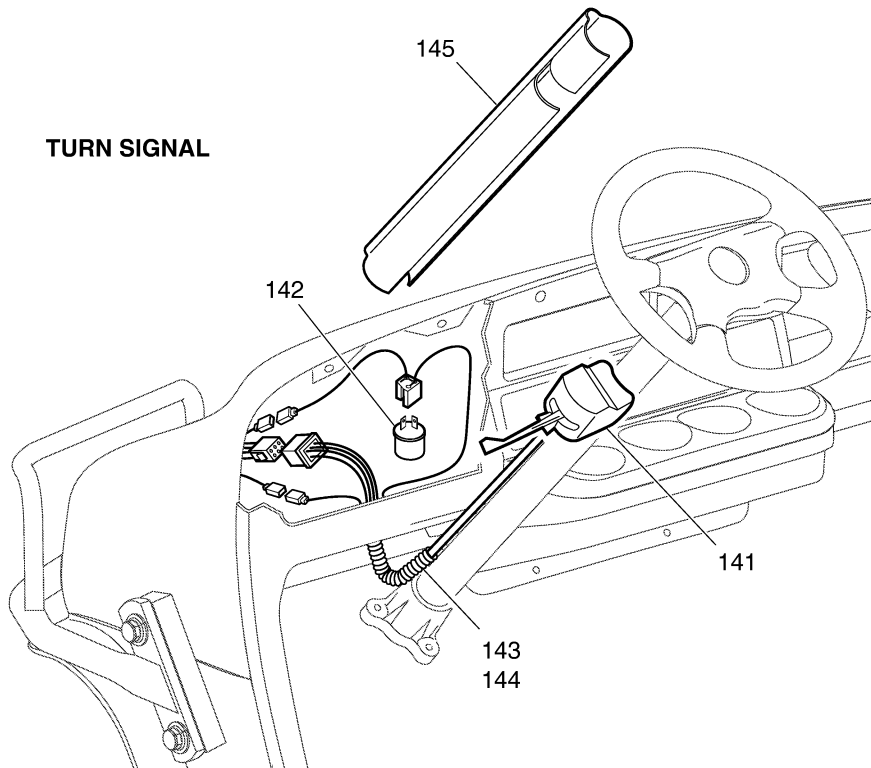
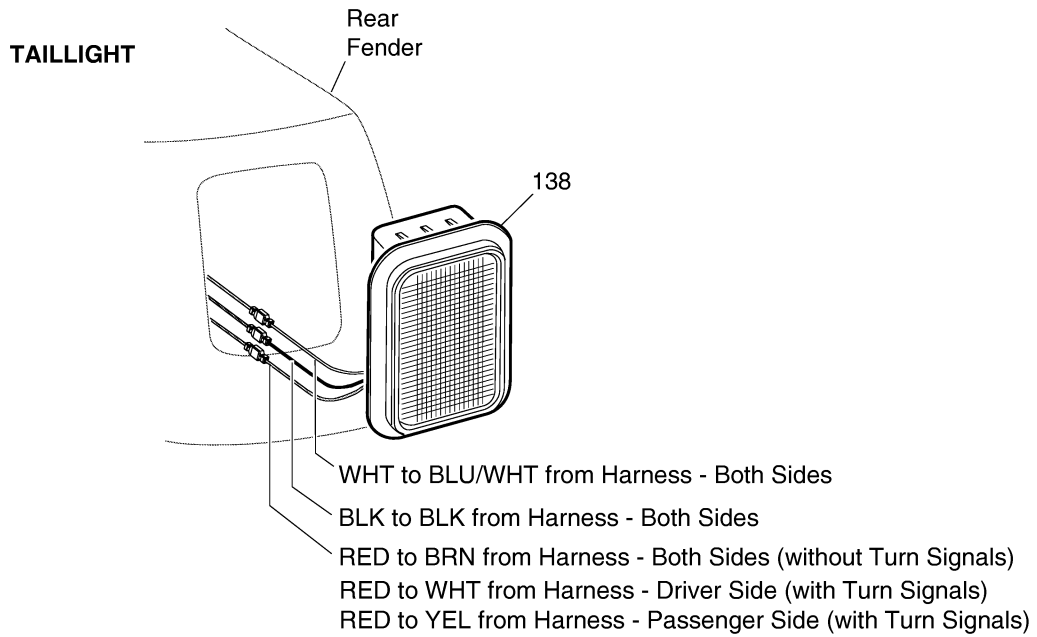
49 - Includes Items 50 - 75



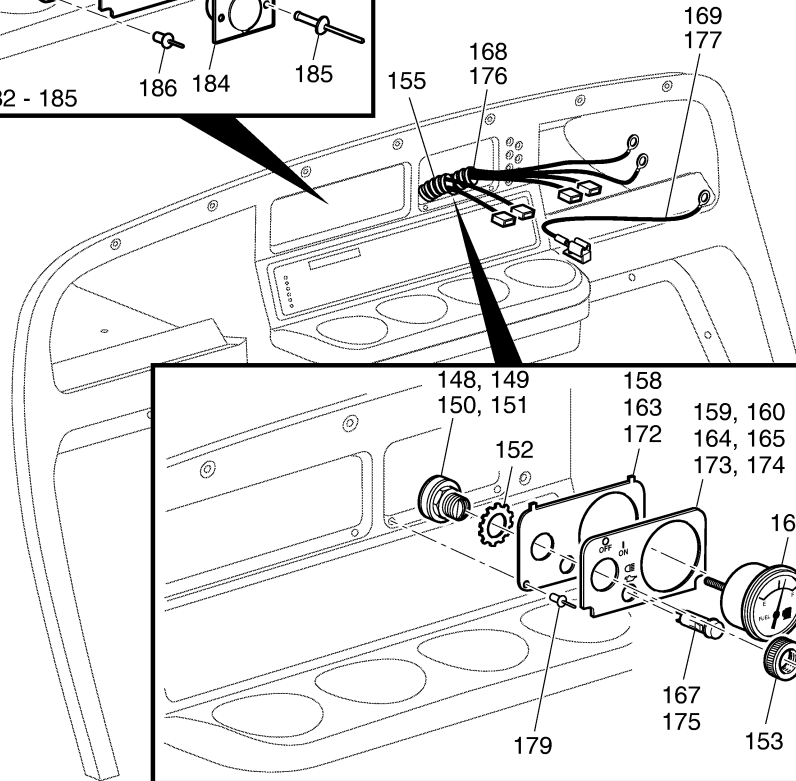
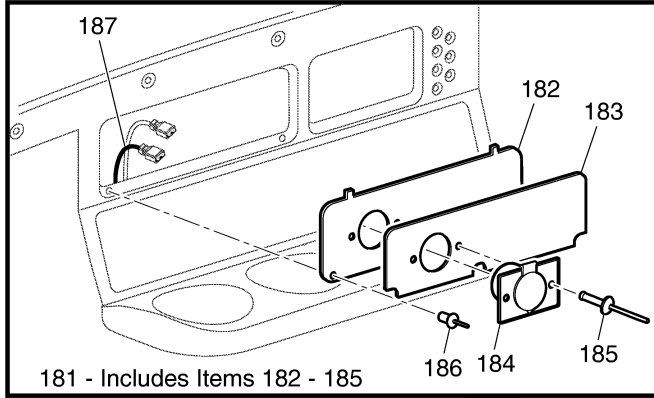




125 - Includes Items 126 - 131



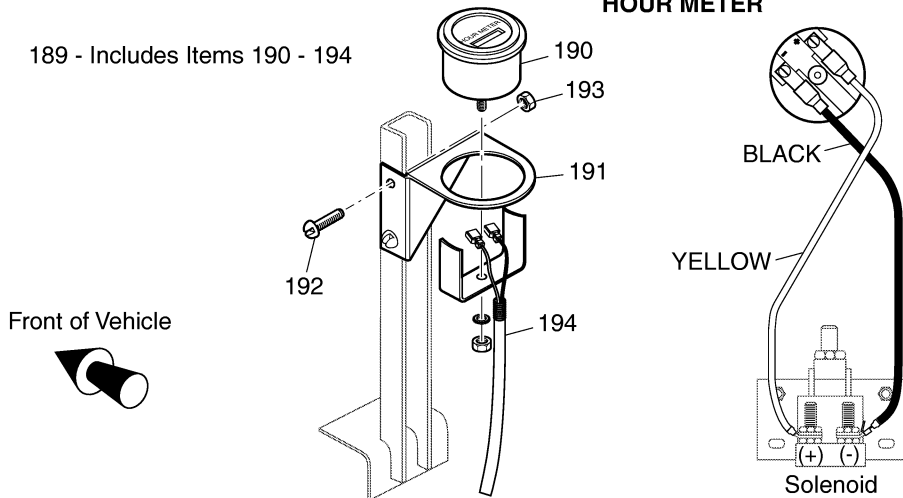
CONSOLE INSERT PLATE (WITH POWER OUTLET SHOWN)



KEY SWITCH, INDICATOR LIGHT(S), AND FUEL GAUGE

HOUR METER

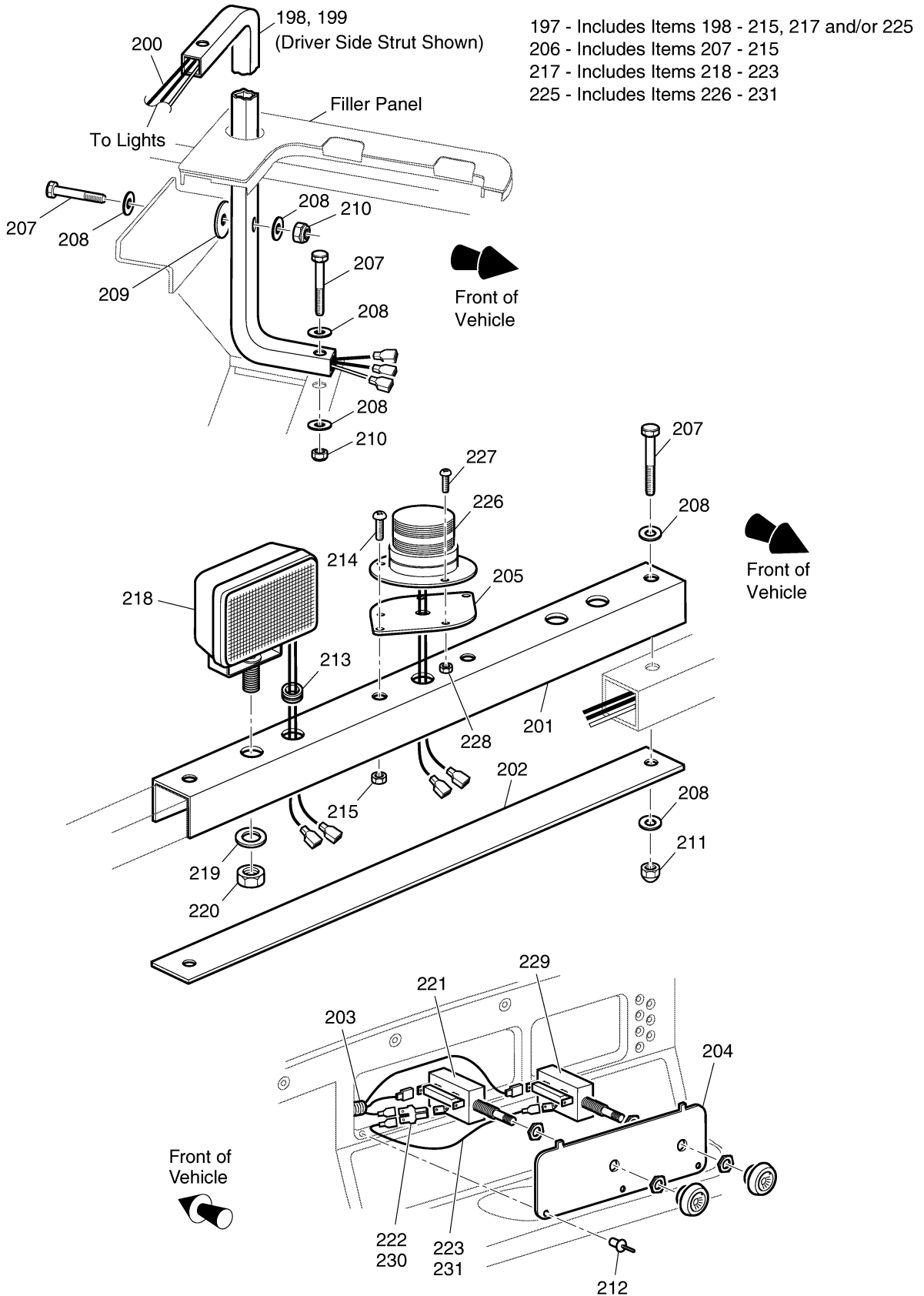
189 - Includes Items 190 - 194



Front of Vehicle



WORK AND STROBE LIGHTS



When ordering parts, please specify the model and serial number of the product.

* Indicates a component that is not available as an individual part.

G** Indicates consult Customer Service Department for additional information.

| ITEM | PART NO. | 1 2 3 4 5 | DESCRIPTION | QTY. |
|------|-----------|-----------|---|------|
| 1 | 26651-G02 | | IGNITION PICKUP ASSEMBLY (INCLUDES ITEM 2)..... | 1 |
| 2 | 26707-G01 | | BOLT AND WASHER ASSEMBLY, M5 X .8 X 10 MM LG..... | 1 |
| 3 | | | | |
| 4 | | | | |
| 5 | 26652-G01 | | IGNITION COIL ASSEMBLY (INCLUDES ITEMS 6 - 10)..... | 1 |
| 6 | * | | IGNITION COIL..... | 1 |
| 7 | * | | SPACER..... | 1 |
| 8 | * | | LOCK WASHER..... | 1 |
| 9 | * | | NUT..... | 1 |
| 10 | * | | SCREW..... | 1 |
| 11 | 13632-G1 | | NUT, M6 X 1..... | 2 |
| 12 | | | | |
| 13 | | | | |
| 14 | 25887-G01 | | 6 GA WIRE (BLACK 6", F1 - A2)..... | 1 |
| 15 | 25682-G1 | | TERMINAL COVER..... | 3 |
| 16 | | | | |
| 17 | | | | |
| 18 | 24775-G* | | BATTERY, 12V..... | 1 |
| 19 | 00962-G1 | | BOLT, 5/16 - 18 X 1 1/4" LG..... | 2 |
| 20 | 00993-G01 | | LOCK WASHER, 5/16" (SILICON BRONZE)..... | 2 |
| 21 | 00994-G01 | | NUT, 5/16 - 18 (SILICON BRONZE)..... | 2 |
| 22 | | | | |
| 23 | 72101-G01 | | BATTERY HOLD DOWN..... | 1 |
| 24 | 00438-G6 | | BOLT, 5/16 - 18 X 3/4" LG..... | 1 |
| 25 | 00565-G8 | | LOCK WASHER, 5/16"..... | 1 |
| 26 | 00571-G2 | | WASHER, 5/16"..... | 1 |
| 27 | | | | |
| 28 | | | | |
| 29 | 28519-G01 | | BATTERY GROUND CABLE..... | 1 |
| 30 | 25976-G19 | | 14 GA WIRE (BLACK 6")..... | 1 |

ELECTRICAL SYSTEM**Gasoline Vehicle**

When ordering parts, please specify the model and serial number of the product.

* Indicates a component that is not available as an individual part.

G** Indicates consult Customer Service Department for additional information.

| ITEM | PART NO. | 1 2 3 4 5 | DESCRIPTION | QTY. |
|------|-----------|-----------|--|------|
| 31 | 00438-G6 | | BOLT, 5/16 - 18 X 3/4" LG | 2 |
| 32 | 11027-G1 | | LOCK NUT, 5/16 - 18 | 2 |
| 33 | 28520-G01 | | ENGINE GROUND CABLE | 1 |
| 34 | 26676-G01 | | FLANGED BOLT, M6 X 1 X 23 MM LG | 1 |
| 35 | 00715-G2 | | BOLT, 5/16 - 18 X 13/16" LG | 1 |
| 36 | | | | |
| 37 | 25972-G58 | | 6 GA WIRE (BLACK 26", F2 - SOL)..... | 1 |
| 38 | | | | |
| 39 | 74519-G01 | | WIRE HARNESS (CONTROL) - SINGLE CABLE DIRECTION SELECTOR | 1 |
| 40 | 70596-G01 | | WIRE HARNESS (CONTROL) - DUAL CABLE DIRECTION SELECTOR..... | 1 |
| 41 | | | | |
| 42 | 17618-G1 | | WIRE TIE | AR |
| 43 | | | | |
| 44 | 73049-G01 | | COVER | 1 |
| 45 | 16469-G1 | | WASHER, 1/4" | 1 |
| 46 | 00114-G6 | | SCREW, 1/4 - 14 X 3/4" LG | 1 |
| 47 | | | | |
| 48 | | | | |
| 49 | 73059-G01 | | ELECTRICAL PLATE ASSEMBLY (INCLUDES ITEMS 50 - 75) | 1 |
| 50 | 73057-G01 | | BRACKET..... | 1 |
| 51 | 27739-G01 | | VOLTAGE REGULATOR | 1 |
| 52 | 00415-G2 | | BOLT, 1/4 - 20 X 1 1/4" LG | 1 |
| 53 | 11027-G2 | | LOCK NUT, 1/4 - 20..... | 1 |
| 54 | | | | |
| 55 | 27746-G01 | | IGNITOR..... | 1 |
| 56 | 00414-G8 | | BOLT, 1/4 - 20 X 1" LG | 1 |
| 57 | 00414-G5 | | BOLT, 1/4 - 20 X 5/8" LG | 1 |
| 58 | | | | |
| 59 | 27153-G01 | | SOLENOID | 1 |
| 60 | 00414-G5 | | BOLT, 1/4 - 20 X 5/8" LG | 1 |

When ordering parts, please specify the model and serial number of the product.

* Indicates a component that is not available as an individual part.

G** Indicates consult Customer Service Department for additional information.

| ITEM | PART NO. | 1 | 2 | 3 | 4 | 5 | DESCRIPTION | QTY. |
|------|-----------|---|---|---|---|---|---|------|
| 61 | 11027-G2 | | | | | | LOCK NUT, 1/4 - 20..... | 3 |
| 62 | | | | | | | | |
| 63 | 12914-G2 | | | | | | FASTON TAB, 1/4" X 1/4"..... | 1 |
| 64 | 00565-G7 | | | | | | LOCK WASHER, 1/4"..... | 1 |
| 65 | 00532-G1 | | | | | | NUT, 1/4 - 20 | 1 |
| 66 | | | | | | | | |
| 67 | 73446-G01 | | | | | | FASTON TAB, 90° | 1 |
| 68 | 12914-G1 | | | | | | FASTON TAB, #10 X 1/4"..... | 1 |
| 69 | 00565-G5 | | | | | | LOCK WASHER, #10 | 2 |
| 70 | 00526-G4 | | | | | | NUT, #10 - 32 | 2 |
| 71 | 25978-G56 | | | | | | 18 GA WIRE (BLACK 5 3/4") | 1 |
| 72 | 22585-G3 | | | | | | IN-LINE FUSE HOLDER | 1 |
| 73 | 00565-G8 | | | | | | LOCK WASHER, 5/16"..... | 2 |
| 74 | 00544-G4 | | | | | | JAM NUT, 5/16 - 24 | 2 |
| 75 | 25972-G33 | | | | | | 6 GA WIRE (BLACK 24", B+ - SOL)..... | 1 |
| 76 | | | | | | | | |
| 77 | | | | | | | | |
| 78 | 25974-G22 | | | | | | 10 GA WIRE (WHITE 34") | 1 |
| 79 | 22674-G1 | | | | | | FUSE BLOCK (1200 / 2200) | 1 |
| 80 | 01041-G01 | | | | | | RIVET, 5/32" X 3/8" LG (1200 / 2200)..... | 2 |
| 81 | 18392-G1 | | | | | | 15 AMP FUSE (1200 / 2200) | 3 |
| 82 | | | | | | | | |
| 83 | | | | | | | | |
| 84 | 35211-G01 | | | | | | FUSE BLOCK (6 POSITION) (LX / SE) | 1 |
| 85 | 12914-G1 | | | | | | FASTON TAB | 1 |
| 86 | 00567-G5 | | | | | | LOCK WASHER, #10..... | 1 |
| 87 | 00526-G4 | | | | | | NUT, #10 - 32 | 1 |
| 88 | 35212-G01 | | | | | | FUSE, 15 AMP..... | 1 |
| 89 | 00379-G2 | | | | | | SCREW, #10 - 24 X 1 1/4" LG | 2 |
| 90 | 00559-G5 | | | | | | WASHER, #10..... | 2 |

ELECTRICAL SYSTEM**Gasoline Vehicle**

When ordering parts, please specify the model and serial number of the product.

* Indicates a component that is not available as an individual part.

G** Indicates consult Customer Service Department for additional information.

| ITEM | PART NO. | 1 2 3 4 5 | DESCRIPTION | QTY. |
|------|-----------|-----------|--|------|
| 91 | 14390-G10 | | LOCK NUT, #10 - 24 | 2 |
| 92 | | | | |
| 93 | | | | |
| 94 | 32860-G1 | | HORN..... | 1 |
| 95 | 00414-G5 | | BOLT, 1/4 - 20 x 5/8" LG | 1 |
| 96 | 00559-G8 | | WASHER, 5/16" | 1 |
| 97 | 00891-G2 | | LOCK NUT, 1/4 - 20 | 1 |
| 98 | | | | |
| 99 | 17318-G1 | | HORN SWITCH..... | 1 |
| 100 | 17318-G2 | | HORN SWITCH CAP AND NUT | 1 |
| 101 | 27068-G01 | | HORN SWITCH BOOT | 1 |
| 102 | 19233-G1 | | HORN SWITCH LABEL | 1 |
| 103 | 71055-G01 | | RIVET, 5/32" X 3/8" GRIP (STAINLESS STEEL) | 2 |
| 104 | | | | |
| 105 | 73214-G01 | | WIRE HARNESS (HORN)..... | 1 |
| 106 | 25977-G40 | | 16 GA WIRE (BLACK 17") | 1 |
| 107 | | | | |
| 108 | 74236-G01 | | LIGHT BAR BRACKET (PASSENGER SIDE) | 1 |
| 109 | 74236-G02 | | LIGHT BAR BRACKET (DRIVER SIDE) | 1 |
| 110 | 01038-G01 | | SCREW, 1/4 - 14 X 3/4" LG | 2 |
| 111 | 00414-G6 | | BOLT, 1/4 - 20 X 3/4" LG..... | 2 |
| 112 | 11027-G2 | | LOCK NUT, 1/4 - 20 | 2 |
| 113 | 74001-G01 | | HEADLIGHT AND TURN SIGNAL LIGHT BAR..... | 1 |
| 114 | 00114-G6 | | SCREW, 1/4 - 14 X 3/4" LG | 4 |
| 115 | | | | |
| 116 | 74004-G01 | | HEADLIGHT BULB | AR |
| 117 | 74005-G01 | | MARKER LIGHT BULB..... | AR |
| 118 | 74006-G01 | | TURN SIGNAL BULB..... | AR |
| 119 | | | | |
| 120 | | | | |

When ordering parts, please specify the model and serial number of the product.

* Indicates a component that is not available as an individual part.

G** Indicates consult Customer Service Department for additional information.

| ITEM | PART NO. | 1 2 3 4 5 | DESCRIPTION | QTY. |
|------|-----------|-----------|---|------|
| 121 | 20209-G3 | | HEADLIGHT (INCLUDES ITEM 122) (LX / SE) | 2 |
| 122 | 00906-G6 | | SCREW, #10 - 16 X 1" LG..... | 2 |
| 123 | 74337-G01 | | JUMPER WIRE (HEADLIGHT) | 2 |
| 124 | | | | |
| 125 | 20570-G3 | | TURN SIGNAL LIGHT (INCLUDES ITEMS 126 - 131)..... | 2 |
| 126 | 20574-G3 | | TURN SIGNAL LIGHT | 1 |
| 127 | 00660-G7 | | WASHER, 1/4"..... | 1 |
| 128 | 20606-G1 | | WIRE ASSEMBLY | 1 |
| 129 | 00567-G7 | | LOCK WASHER, 1/4"..... | 1 |
| 130 | 00532-G1 | | NUT, 1/4 - 20 | 1 |
| 131 | 18995-G1 | | PUSH-ON MALE TERMINAL..... | 1 |
| 132 | 20574-G5 | | LENS, AMBER | 1 |
| 133 | 00118-G5 | | SCREW, #6 - 18 X 5/8" LG | 2 |
| 134 | 74056-G01 | | TURN SIGNAL JUMPER, RED/BLACK (PASSENGER SIDE) | 1 |
| 135 | 74056-G02 | | TURN SIGNAL JUMPER, GREEN/BLACK (DRIVER SIDE) | 1 |
| 136 | | | | |
| 137 | | | | |
| 138 | 32739-G2 | | TAILLIGHT ASSEMBLY (COMPLETE) | 2 |
| 139 | | | | |
| 140 | | | | |
| 141 | 17867-G1 | | TURN SIGNAL (WITH MOUNTING HARDWARE) (INCL. ITEM 142)..... | 1 |
| 142 | 21640-G1 | | TURN SIGNAL FLASHER..... | 1 |
| 143 | 32307-G3 | | FLEX LOOM, 3/8 X 8" LG | 1 |
| 144 | 17618-G1 | | WIRE TIE | 2 |
| 145 | 20965-G3 | | STEERING COLUMN COVER..... | 1 |
| 146 | | | | |
| 147 | | | | |
| 148 | 17421-G1 | | IGNITION SWITCH KIT (W/O LIGHTS - STANDARD - WITH HARDWARE) | 1 |
| 149 | 17955-G1 | | IGNITION SWITCH (WITHOUT LIGHTS - NON STANDARD) | 1 |
| 150 | 18027-G1 | | IGNITION SWITCH (WITHOUT LIGHTS - INDIVIDUALLY KEYED) | 1 |

ELECTRICAL SYSTEM**Gasoline Vehicle**

When ordering parts, please specify the model and serial number of the product.

* Indicates a component that is not available as an individual part.

G** Indicates consult Customer Service Department for additional information.

| ITEM | PART NO. | 1 2 3 4 5 | DESCRIPTION | QTY. |
|------|------------|-----------|---|------|
| 151 | 33639-G** | | IGNITION SWITCH (WITH LIGHTS)..... | 1 |
| 152 | 00568-G6 | | LOCK WASHER, 3/4"..... | 1 |
| 153 | 17137-G1 | | FACE NUT, 3/4 - 20..... | 1 |
| 154 | 17063-G1 | | IGNITION KEY (SET)..... | 1 |
| 155 | 73041-G01 | | WIRE HARNESS (KEY SWITCH)..... | 1 |
| 156 | | | | |
| 157 | | | | |
| 158 | 73030-G01 | | PLATE (IGNITION SWITCH ONLY) | 1 |
| 159 | 71181-G02 | | DECAL (IGNITION SWITCH ONLY) WITHOUT HEADLIGHTS | 1 |
| 160 | 71181-G01 | | DECAL (IGNITION SWITCH ONLY) WITH HEADLIGHTS | 1 |
| 161 | | | | |
| 162 | | | | |
| 163 | 73030-G04 | | PLATE (FUEL GAUGE AND OIL LIGHT)..... | 1 |
| 164 | 71127-G01 | | DECAL (OIL LIGHT AND FUEL GAUGE W/O HEADLIGHTS)..... | 1 |
| 165 | 71131-G01 | | DECAL (OIL LIGHT AND FUEL GAUGE WITH HEADLIGHTS)..... | 1 |
| 166 | 21553-G1 | | FUEL GAUGE | 1 |
| 167 | 23474-G1 | | INDICATOR LIGHT | 1 |
| 168 | 74311-G01 | | HARNESS (OIL LIGHT/FUEL GAUGE)..... | 1 |
| 169 | 25978-G122 | | 18 GA WIRE (RED 6") | 1 |
| 170 | | | | |
| 171 | | | | |
| 172 | 73030-G03 | | PLATE (LOW FUEL AND OIL LIGHT INDICATOR)..... | 1 |
| 173 | 71125-G01 | | DECAL (LOW FUEL AND LOW OIL W/O HEADLIGHTS)..... | 1 |
| 174 | 71183-G01 | | DECAL (OIL AND FUEL LIGHTS WITH HEADLIGHTS) | 1 |
| 175 | 23474-G1 | | INDICATOR LIGHT | 2 |
| 176 | 74309-G01 | | HARNESS (OIL LIGHT/FUEL LIGHT) | 1 |
| 177 | 25978-G74 | | 18 GA WIRE (RED 6") | 1 |
| 178 | | | | |
| 179 | 33623-G02 | | DRIVE RIVET, 3/16" X 3/8" LG | 2 |
| 180 | | | | |

When ordering parts, please specify the model and serial number of the product.

* Indicates a component that is not available as an individual part.

G** Indicates consult Customer Service Department for additional information.

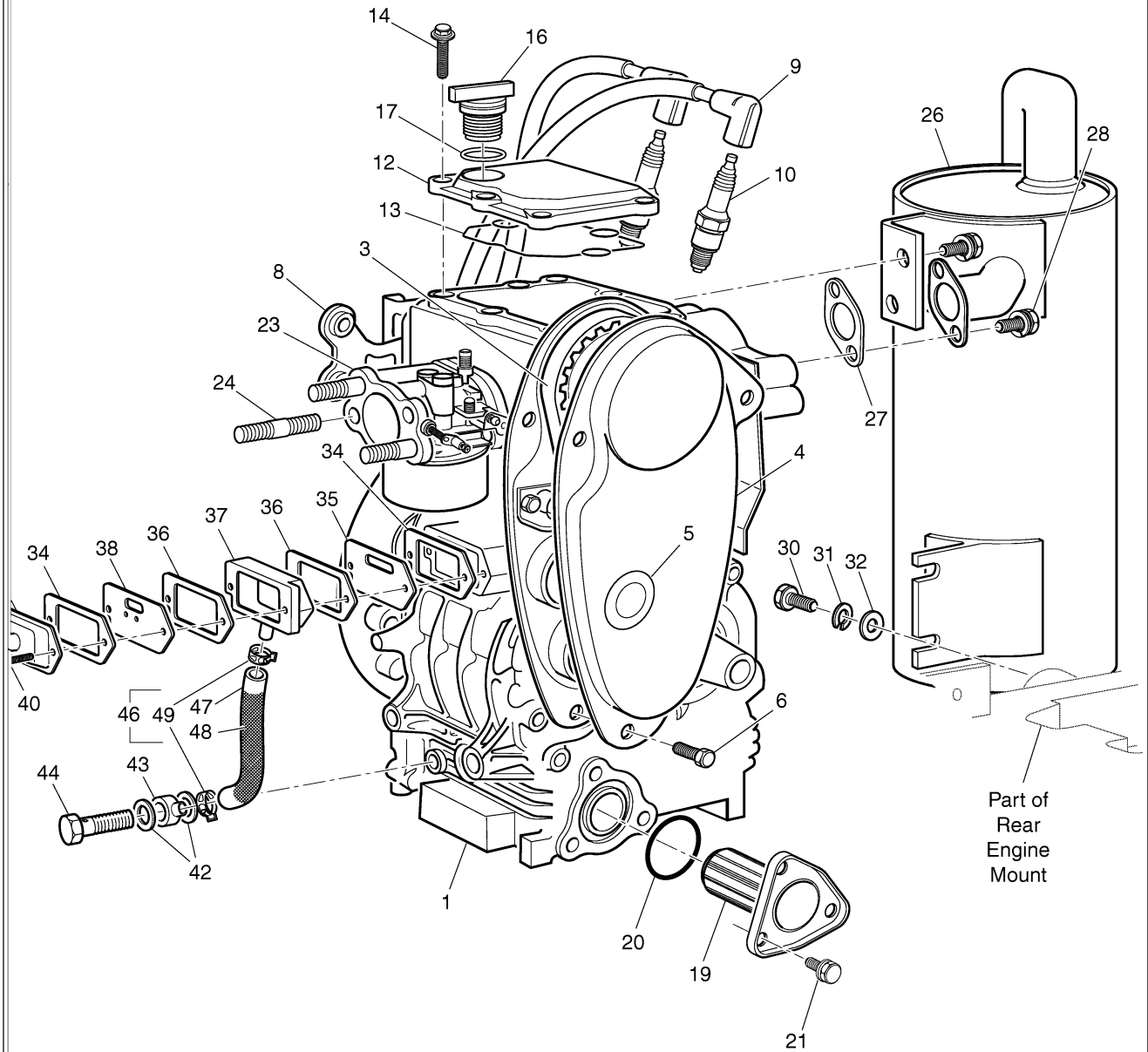
| ITEM | PART NO. | 1 2 3 4 5 | DESCRIPTION | QTY. |
|------|-----------|-----------|---|------|
| 181 | 74444-G** | | CONSOLE INSERT ASSEMBLY (WITH OR W/O POWER OUTLET) (INCLUDES ITEMS 182 - 185) | 1 |
| 182 | 71077-G** | | CONSOLE INSERT PLATE..... | 1 |
| 183 | 35966-G** | | DECAL (CONSOLE INSERT PLATE) | 1 |
| 184 | 71078-G01 | | POWER OUTLET (12 VOLT) | 1 |
| 185 | 14601-G10 | | RIVET, 5/32" X 7/16" LG..... | 2 |
| 186 | 33623-G01 | | DRIVE RIVET, 5/32" X 5/16" LG | 3 |
| 187 | 71081-G01 | | WIRE HARNESS (POWER OUTLET) | 1 |
| 188 | | | | |
| 189 | 75114-G02 | | HOUR METER KIT (INCLUDES ITEMS 190 - 194)..... | 1 |
| 190 | 21573-G1 | | HOUR METER ASSEMBLY | 1 |
| 191 | 74019-G01 | | HOUR METER BRACKET | 1 |
| 192 | 00150-G4 | | SCREW, #10 - 24 X 1/2" LG..... | 2 |
| 193 | 11098-G7 | | LOCK NUT, #10 - 24..... | 2 |
| 194 | 75117-G01 | | WIRE HARNESS (HOUR METER) | 1 |
| 195 | | | | |
| 196 | | | | |
| 197 | 75354-G** | | LIGHT BAR WITH LIGHTS AND/OR STROBE (INCLUDES ITEMS 198 - 215, 217 AND/OR 225) | 1 |
| 198 | 75352-G01 | | STRUT (DRIVER SIDE) | 1 |
| 199 | 75352-G02 | | STRUT (PASSENGER SIDE)..... | 1 |
| 200 | 75346-G01 | | WIRE HARNESS (WORK LIGHT)..... | 1 |
| 201 | 75353-G01 | | WORK LIGHT BRACE | 1 |
| 202 | 75363-G01 | | COVER PLATE..... | 1 |
| 203 | 75347-G01 | | SWITCH HARNESS..... | 1 |
| 204 | 71077-G** | | LIGHT SWITCH PLATE..... | 1 |
| 205 | 33201-G02 | | STROBE LIGHT MOUNT (USED ONLY WITH STROBE LIGHT) | 1 |
| 206 | 75365-G01 | | HARDWARE KIT (INCLUDES ITEMS 207 - 215) | 1 |
| 207 | 00685-G7 | | BOLT, 5/16 - 18 X 1 3/4" LG..... | 6 |
| 208 | 00660-G8 | | WASHER, 5/16" | 12 |
| 209 | 15121-G1 | | WASHER, 3/8" X 1 1/4"..... | 2 |

ELECTRICAL SYSTEM

Gasoline Vehicle

When ordering parts, please specify the model and serial number of the product.
 * Indicates a component that is not available as an individual part.
 G** Indicates consult Customer Service Department for additional information.

| ITEM | PART NO. | 1 | 2 | 3 | 4 | 5 | DESCRIPTION | QTY. |
|------|-----------|---|---|---|---|---|--|------|
| 210 | 11098-G6 | | | | | | LOCK NUT, 5/16 - 18 | 4 |
| 211 | 00918-G3 | | | | | | ACORN NUT, 5/16 - 18 | 2 |
| 212 | 33623-G01 | | | | | | DRIVE RIVET, 5/32" X 5/16" LG | 3 |
| 213 | 20367-G1 | | | | | | GROMMET..... | 2 |
| 214 | 16705-G3 | | | | | | SCREW, 1/4 - 20 X 3/4" LG | 2 |
| 215 | 14390-G4 | | | | | | LOCK NUT, 1/4 - 20 | 2 |
| 216 | | | | | | | | |
| 217 | 20383-G2 | | | | | | WORK LIGHT KIT (INCLUDES ITEMS 218 - 223) | 1 |
| 218 | 20209-G2 | | | | | | LIGHT (RECTANGULAR) | 2 |
| 219 | 00566-G3 | | | | | | LOCK WASHER, 1/2"..... | 2 |
| 220 | 00533-G1 | | | | | | NUT, 1/2 - 13 | 2 |
| 221 | 17317-G1 | | | | | | LIGHT SWITCH..... | 1 |
| 222 | 17902-G1 | | | | | | TAB ADAPTER..... | 1 |
| 223 | 20053-G1 | | | | | | 16 GA WIRE (RED 5 3/8") | 1 |
| 224 | | | | | | | | |
| 225 | 20385-G2 | | | | | | STROBE LIGHT KIT (INCLUDES ITEMS 226 - 231)..... | 1 |
| 226 | 20394-G1 | | | | | | STROBE LIGHT | 1 |
| 227 | 00379-G4 | | | | | | SCREW, #10 - 24 x 1/2" LG | 3 |
| 228 | 11098-G7 | | | | | | LOCK NUT, #10 - 24 | 3 |
| 229 | 17317-G1 | | | | | | LIGHT SWITCH..... | 1 |
| 230 | 17902-G1 | | | | | | TAB ADAPTER..... | 1 |
| 231 | 20053-G1 | | | | | | 16 GA WIRE (RED 5 3/8") | 1 |



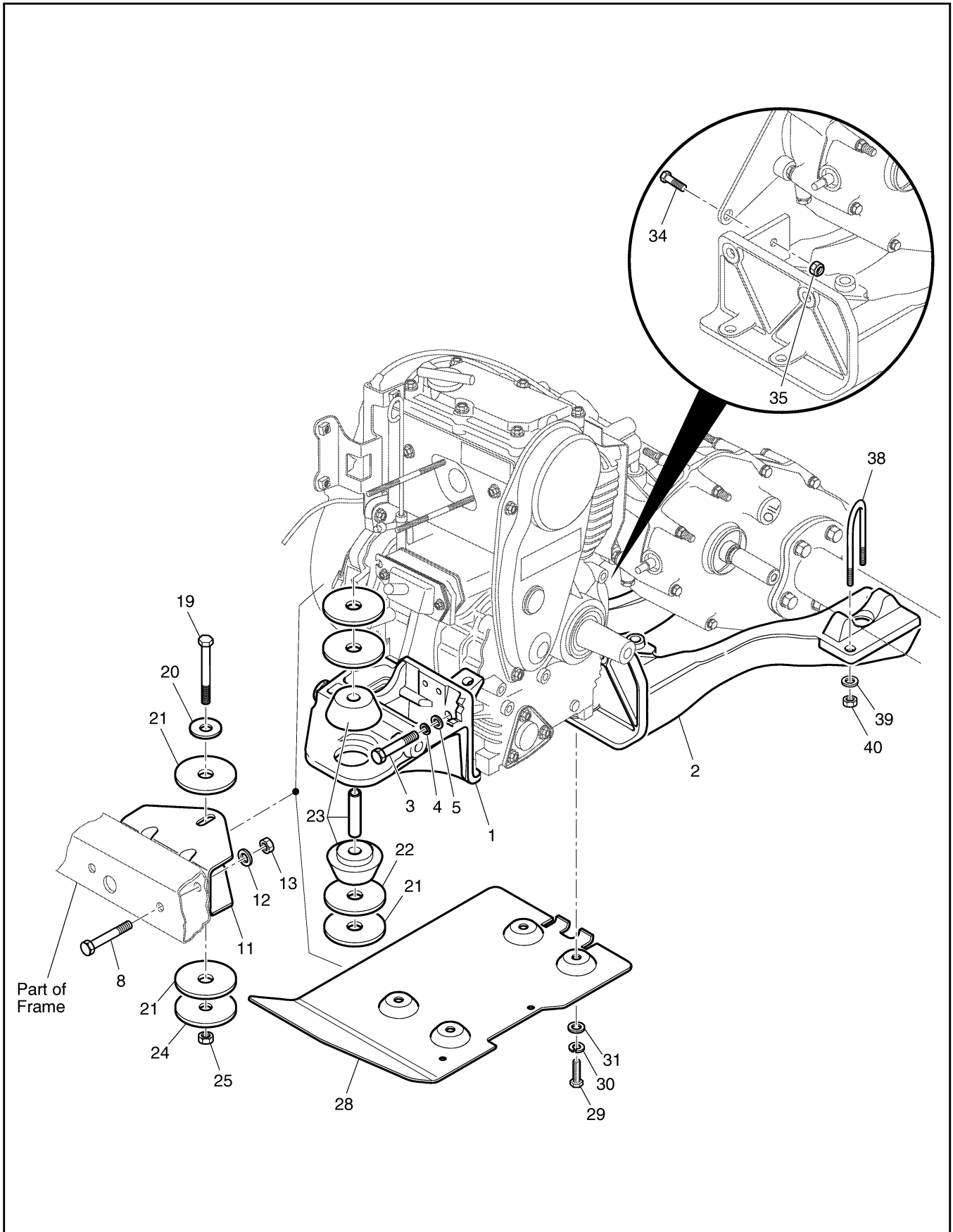
Part of
Rear
Engine
Mount

When ordering parts, please specify the model and serial number of the product.
 * Indicates a component that is not available as an individual part.
 G** Indicates consult Customer Service Department for additional information.

| ITEM | PART NO. | 1 2 3 4 5 | DESCRIPTION | QTY. |
|------|-----------|-----------|---|------|
| 1 | 72650-G02 | | ENGINE, 350 CC | 1 |
| 2 | | | | |
| 3 | 26626-G01 | | TIMING BELT | 1 |
| 4 | 26630-G01 | | TIMING BELT COVER | 1 |
| 5 | 26631-G01 | | TIMING BELT COVER GROMMET | 1 |
| 6 | 26678-G01 | | BOLT, M6 X 1 X 12 MM LG | 3 |
| 7 | | | | |
| 8 | 26657-G01 | | IGNITION COIL BRACKET | 1 |
| 9 | 26733-G01 | | SPARK PLUG WIRE SET (2 WITH BOOTS) | 1 |
| 10 | 25523-G4 | | SPARK PLUG (NGK BPR5ES) | 2 |
| 11 | | | | |
| 12 | 26600-G01 | | VALVE COVER | 1 |
| 13 | 26719-G01 | | VALVE COVER GASKET | 1 |
| 14 | 26676-G01 | | FLANGED BOLT, M6 X 1 X 23 MM LG | 6 |
| 15 | | | | |
| 16 | 26601-G01 | | OIL FILLER CAP | 1 |
| 17 | 26720-G01 | | OIL FILLER 'O' RING | 1 |
| 18 | | | | |
| 19 | 26591-G01 | | OIL FILTER | 1 |
| 20 | 26710-G01 | | OIL FILTER 'O' RING | 1 |
| 21 | 26680-G01 | | BOLT AND WASHER, M6 X 1 X 12 MM LG | 3 |
| 22 | | | | |
| 23 | XXXXX-XX | | CARBURETOR (SEE CARBURETOR SECTION) | X |
| 24 | 26667-G01 | | STUD | 2 |
| 25 | | | | |
| 26 | 72019-G01 | | MUFFLER | 1 |
| 27 | 25531-G1 | | EXHAUST GASKET | 1 |
| 28 | 25532-G1 | | BOLT AND WASHER, M8 X 1.25 X 18 MM LG | 4 |
| 29 | | | | |
| 30 | 00438-G8 | | BOLT, 5/16 - 18 X 1" LG | 1 |

When ordering parts, please specify the model and serial number of the product.
 * Indicates a component that is not available as an individual part.
 G** Indicates consult Customer Service Department for additional information.

| ITEM | PART NO. | 1 2 3 4 5 | DESCRIPTION | QTY. |
|------|-----------|-----------|---|------|
| 31 | 00565-G8 | | LOCK WASHER, 5/16"..... | 1 |
| 32 | 00642-G8 | | WASHER, 5/16" | 1 |
| 33 | | | | |
| 34 | 72555-G01 | | BREATHER COVER GASKET (THICK)..... | 2 |
| 35 | 72657-G01 | | INNER BREATHER PLATE (LONG SLOT)..... | 1 |
| 36 | 72554-G01 | | BREATHER COVER GASKET (THIN)..... | 2 |
| 37 | 72658-G01 | | BREATHER BOX..... | 1 |
| 38 | 72676-G01 | | OUTER BREATHER PLATE (SHORT SLOT) | 1 |
| 39 | 72659-G01 | | BREATHER COVER | 1 |
| 40 | 72680-G01 | | FLANGED BOLT, M6 X 1 X 70 MM LG | 2 |
| 41 | | | | |
| 42 | 72656-G01 | | ALUMINUM GASKET..... | 2 |
| 43 | 72655-G01 | | BANJO UNION..... | 1 |
| 44 | 72654-G01 | | BANJO BOLT | 1 |
| 45 | | | | |
| 46 | 72653-G01 | | RUBBER RETURN HOSE (INCLUDES ITEMS 47 - 49) | 1 |
| 47 | 72677-G01 | | RUBBER HOSE, 6 MM ID X 12 MM OD X 145 MM LG | 1 |
| 48 | 72678-G01 | | MESH PROTECTIVE COVER..... | 1 |
| 49 | 72679-G01 | | HOSE CLAMP | 2 |



When ordering parts, please specify the model and serial number of the product.

* Indicates a component that is not available as an individual part.

G** Indicates consult Customer Service Department for additional information.

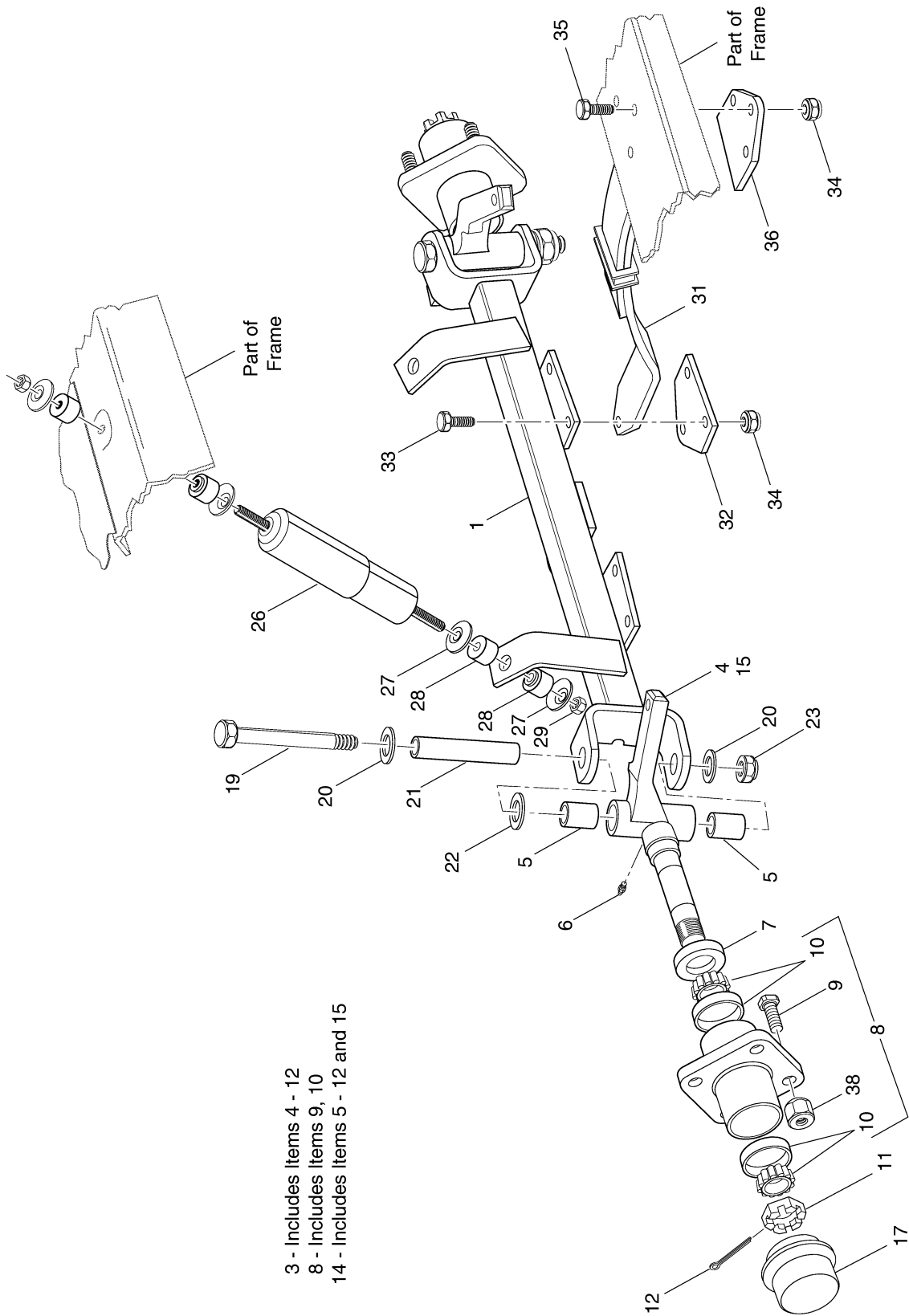
| ITEM | PART NO. | 1 2 3 4 5 | DESCRIPTION | QTY. |
|------|-----------|-----------|-------------------------------------|------|
| 1 | 72010-G01 | | FRONT ENGINE MOUNT | 1 |
| 2 | 72011-G01 | | REAR ENGINE MOUNT | 1 |
| 3 | 00463-G4 | | BOLT, 7/16 - 14 X 1 1/2" LG | 4 |
| 4 | 00566-G2 | | LOCK WASHER, 7/16" | 4 |
| 5 | 00922-G3 | | WASHER, 7/16" | 4 |
| 6 | | | | |
| 7 | | | | |
| 8 | 00428-G6 | | BOLT, 3/8 - 16 X 2 3/4" LG | 2 |
| 9 | | | | |
| 10 | | | | |
| 11 | 72044-G01 | | MOUNT BRACKET | 1 |
| 12 | 00643-G1 | | WASHER, 3/8" | 2 |
| 13 | 11098-G5 | | LOCK NUT, 3/8 - 16 | 2 |
| 14 | | | | |
| 15 | | | | |
| 16 | | | | |
| 17 | | | | |
| 18 | | | | |
| 19 | 00430-G4 | | BOLT, 3/8 - 16 X 4 1/2" LG | 1 |
| 20 | 15121-G1 | | WASHER, 1 1/4" X 3/8" | 1 |
| 21 | 72050-G01 | | PLASTIC WASHER, 2 1/2" x 5/8" | 4 |
| 22 | 72051-G01 | | WASHER, 2 1/2" X 5/8" | 2 |
| 23 | 72015-G01 | | ISOLATION MOUNT | 1 |
| 24 | 72051-G02 | | WASHER, 2 1/2" X 11/32" | 1 |
| 25 | 11098-G5 | | LOCK NUT, 3/8 - 16 | 1 |
| 26 | | | | |
| 27 | | | | |
| 28 | 72719-G01 | | ENGINE GUARD | 1 |
| 29 | 00463-G4 | | BOLT, 7/16 - 14 X 1 1/2" LG | 4 |
| 30 | 00566-G2 | | LOCK WASHER, 7/16" | 4 |

ENGINE MOUNTING**Gasoline Vehicle**

When ordering parts, please specify the model and serial number of the product.
 * Indicates a component that is not available as an individual part.
 G** Indicates consult Customer Service Department for additional information.

| ITEM | PART NO. | 1 2 3 4 5 | DESCRIPTION | QTY. |
|------|-----------|-----------|-----------------------------------|------|
| 31 | 00922-G3 | | WASHER, 7/16" | 4 |
| 32 | | | | |
| 33 | | | | |
| 34 | 00439-G1 | | BOLT, 5/16 - 18 X 1 1/8" LG | 1 |
| 35 | 11098-G6 | | LOCK NUT, 5/16 - 18 | 1 |
| 36 | | | | |
| 37 | | | | |
| 38 | 72035-G01 | | 'U' BOLT, 7/16 - 14 | 2 |
| 39 | 00922-G3 | | WASHER, 7/16" | 4 |
| 40 | 00734-G1 | | LOCK NUT, 7/16 - 14 | 4 |

FRONT SUSPENSION (EARLY PRODUCTION) Gasoline Vehicle



SUSPENSION (EARLY PRODUCTION)

pl and serial number of the product.
 as an individual part.
 rtment for additional information.

| DESCRIPTION | QTY. |
|---|------|
| | 1 |
| MBLY (DRIVER SIDE) (INCLUDES ITEMS 4 - 12)..... | 1 |
| RIVER SIDE)..... | 1 |
| | 2 |
| TING, STRAIGHT | 1 |
| AL | 1 |
| ASSEMBLY (INCLUDES ITEMS 9, 10) | 1 |
| T, 1/2 - 20 X 1 7/32" LG..... | 4 |
| G AND RACE ASSEMBLY (COMPLETE) | 2 |
| JT, 1 - 14..... | 1 |
| , 5/32" X 1 3/4" LG | 1 |
| MBLY (PASSENGER SIDE) (INCLUDES ITEMS 5 - 12, 15) ... | 1 |
| ASSENGER SIDE) | 1 |
| | 2 |
| 5" LG..... | 2 |
| | 4 |
| | 2 |
| ER, 7/8"..... | 2 |
| 13 | 2 |
| BER | 2 |
| BER WASHER..... | 8 |
| NG..... | 8 |
| | 4 |

FRONT SUSPENSION (EARLY PRODUCTION) Gasoline Vehicle

When ordering parts, please specify the model and serial number of the product.

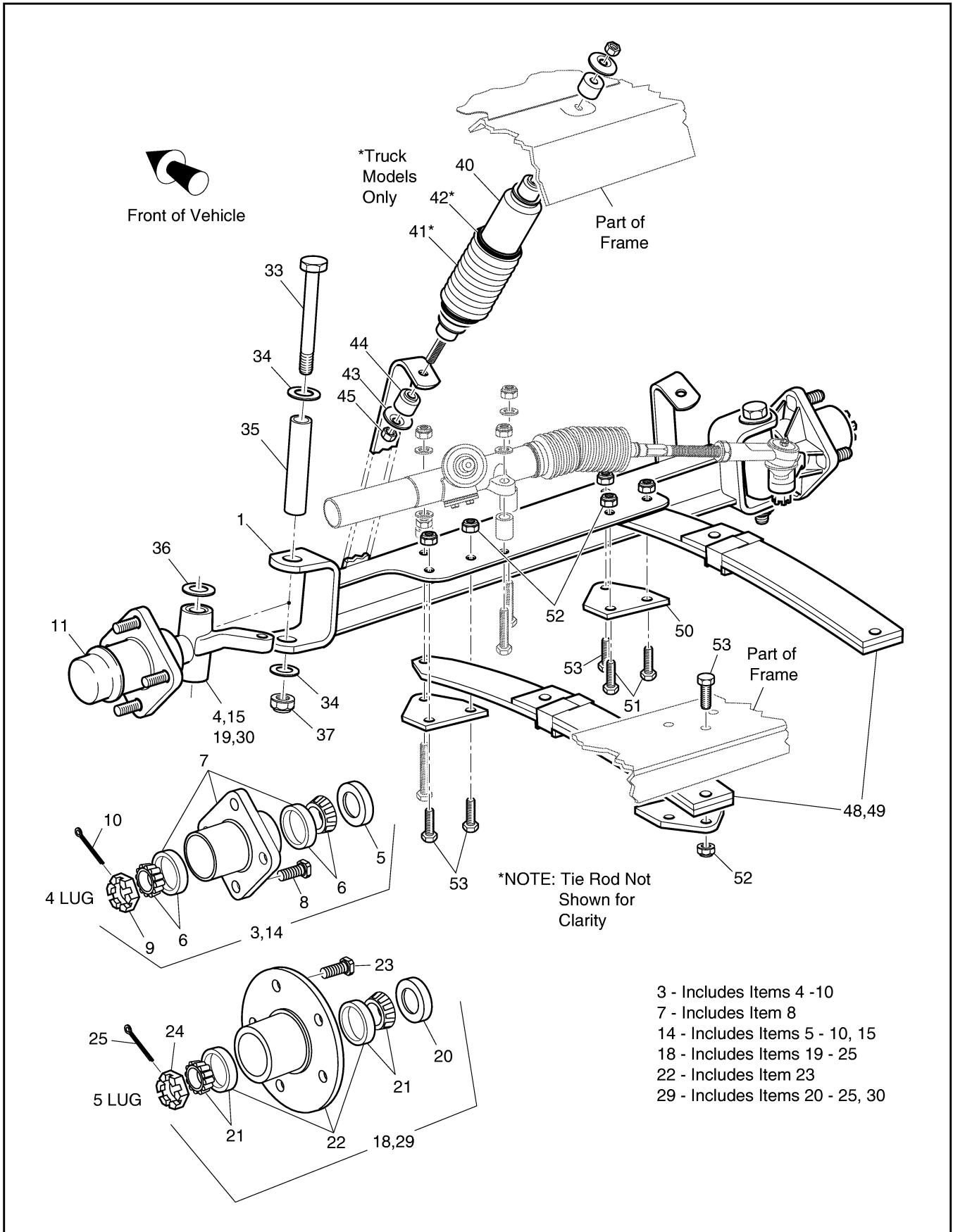
* Indicates a component that is not available as an individual part.

G** Indicates consult Customer Service Department for additional information.

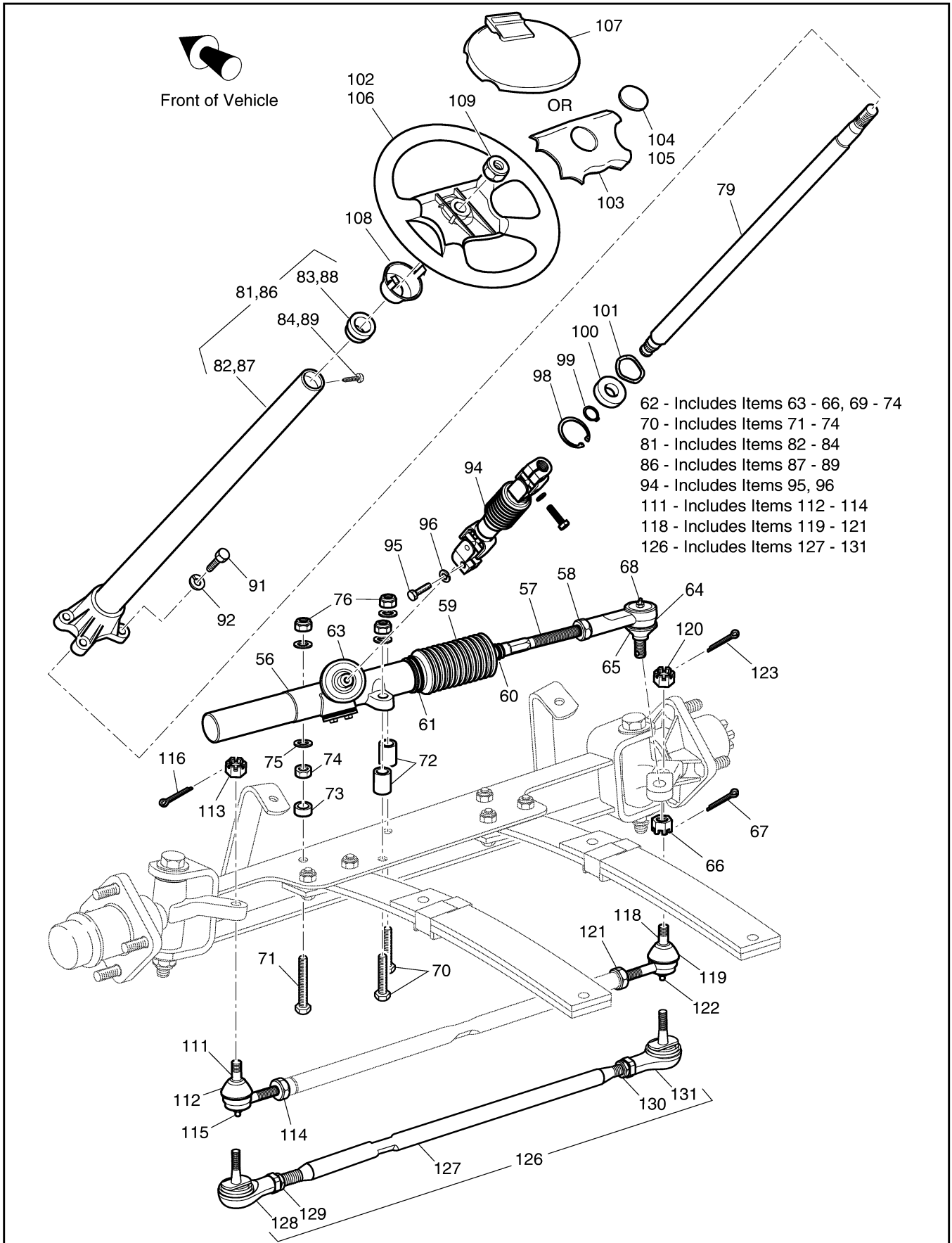
| ITEM | PART NO. | 1 | 2 | 3 | 4 | 5 | DESCRIPTION | QTY. |
|------|-----------|---|---|---|---|---|----------------------------------|------|
| 31 | 70049-G01 | | | | | | LEAF SPRING | 2 |
| 32 | 70540-G02 | | | | | | SPRING PLATE | 2 |
| 33 | 00463-G4 | | | | | | BOLT, 7/16 - 14 X 1 1/2" LG..... | 6 |
| 34 | 00734-G1 | | | | | | LOCK NUT, 7/16 - 14 | 12 |
| 35 | 00463-G6 | | | | | | BOLT, 7/16 - 14 X 1 3/4" LG..... | 6 |
| 36 | 70163-G02 | | | | | | SPRING PLATE | 2 |
| 37 | | | | | | | | |
| 38 | 14723-G1 | | | | | | LUG NUT, 1/2 - 20..... | 8 |

Gasoline Vehicle FRONT SUSPENSION (EARLY PRODUCTION)

FRONT SUSPENSION/STEERING (JAN. 2001) Gasoline Vehicle



Gasoline Vehicle FRONT SUSPENSION/STEERING (JAN. 2001)



FRONT SUSPENSION/STEERING (JAN. 2001) Gasoline Vehicle

When ordering parts, please specify the model and serial number of the product.

* Indicates a component that is not available as an individual part.

G** Indicates consult Customer Service Department for additional information.

| ITEM | PART NO. | 1 | 2 | 3 | 4 | 5 | DESCRIPTION | QTY. |
|------|-----------|---|---|---|---|---|--|------|
| 1 | 70963-G01 | | | | | | FRONT AXLE..... | 1 |
| 2 | | | | | | | | |
| 3 | 70942-G01 | | | | | | SPINDLE AND HUB ASSEMBLY, 4 LUG (PASSENGER SIDE) (INCLUDES ITEMS 4 - 10) | 1 |
| 4 | 70942-G02 | | | | | | SPINDLE ASSEMBLY (PASSENGER SIDE) | 1 |
| 5 | 25146-G1 | | | | | | GREASE SEAL | 1 |
| 6 | 50892-G1 | | | | | | ROLLER BEARING AND RACE ASSEMBLY | 2 |
| 7 | 70895-G01 | | | | | | WHEEL HUB ASSEMBLY WITH RACES, 4 LUG (INCLUDES ITEM 8)..... | 1 |
| 8 | 19862-G1 | | | | | | LUG BOLT, 1/2 - 20 X 1 7/32" LG..... | 4 |
| 9 | 12093-G1 | | | | | | SLOTTED NUT, 1 - 14..... | 1 |
| 10 | 00798-G8 | | | | | | COTTER PIN, 5/32" X 1 3/4" LG | 1 |
| 11 | 12091-G2 | | | | | | SPINDLE CAP | 2 |
| 12 | | | | | | | | |
| 13 | | | | | | | | |
| 14 | 70673-G01 | | | | | | SPINDLE AND HUB ASSEMBLY, 4 LUG (DRIVER SIDE) (INCLUDES ITEMS 5 - 10, 15) | 1 |
| 15 | 70673-G02 | | | | | | SPINDLE ASSEMBLY (DRIVER SIDE)..... | 1 |
| 16 | | | | | | | | |
| 17 | | | | | | | | |
| 18 | 70943-G01 | | | | | | SPINDLE AND HUB ASSEMBLY, 5 LUG (PASSENGER SIDE) (INCLUDES ITEMS 19 - 25) | 1 |
| 19 | 70942-G02 | | | | | | SPINDLE ASSEMBLY (PASSENGER SIDE) | 1 |
| 20 | 12092-G1 | | | | | | GREASE SEAL | 1 |
| 21 | 50892-G1 | | | | | | BEARING AND RACE ASSEMBLY..... | 2 |
| 22 | 70772-G01 | | | | | | WHEEL HUB ASSEMBLY WITH RACES, 5 LUG (INCLUDES ITEM 23)..... | 1 |
| 23 | 30143-G1 | | | | | | LUG BOLT, 1/2 - 20 X 1 7/32" LG..... | 5 |
| 24 | 12093-G1 | | | | | | SLOTTED NUT, 1 - 14..... | 1 |
| 25 | 00798-G8 | | | | | | COTTER PIN, 5/32" X 1 3/4" LG | 1 |
| 26 | | | | | | | | |
| 27 | | | | | | | | |
| 28 | | | | | | | | |

Gasoline Vehicle FRONT SUSPENSION/STEERING (JAN. 2001)

When ordering parts, please specify the model and serial number of the product.

* Indicates a component that is not available as an individual part.

G** Indicates consult Customer Service Department for additional information.

| ITEM | PART NO. | 1 | 2 | 3 | 4 | 5 | DESCRIPTION | QTY. |
|------|-----------|---|---|---|---|---|---|------|
| 29 | 70797-G01 | | | | | | SPINDLE AND HUB ASSEMBLY, 5 LUG (DRIVER SIDE) (INCLUDES ITEMS 20 - 25, 30) | 1 |
| 30 | 70673-G02 | | | | | | SPINDLE ASSEMBLY (DRIVER SIDE)..... | 1 |
| 31 | | | | | | | | |
| 32 | | | | | | | | |
| 33 | 00407-G6 | | | | | | BOLT, 1/2 - 13 X 6" LG | 2 |
| 34 | 00560-G3 | | | | | | WASHER, 1/2" | 4 |
| 35 | 70745-G01 | | | | | | KING PIN TUBE | 2 |
| 36 | 70754-G01 | | | | | | THRUST WASHER (STAINLESS STEEL)..... | 2 |
| 37 | 14390-G6 | | | | | | LOCK NUT, 1/2 - 13 | 2 |
| 38 | | | | | | | | |
| 39 | | | | | | | | |
| 40 | 70928-G01 | | | | | | SHOCK ABSORBER | 2 |
| 41 | 70509-G01 | | | | | | SHOCK ABSORBER BOOT | 2 |
| 42 | 31539-G1 | | | | | | WIRE TIE | 4 |
| 43 | 10435-G1 | | | | | | SHOCK ABSORBER WASHER..... | 8 |
| 44 | 10194-G1 | | | | | | RUBBER BUSHING | 8 |
| 45 | 00532-G6 | | | | | | NUT, 3/8 - 24 | 4 |
| 46 | | | | | | | | |
| 47 | | | | | | | | |
| 48 | 70597-G02 | | | | | | LEAF SPRING (SEE PART NUMBER ON SPRING)..... | 2 |
| 49 | 70664-G02 | | | | | | LEAF SPRING (HEAVY DUTY) (SEE PART NUMBER ON SPRING)..... | 2 |
| 50 | 70163-G02 | | | | | | SPRING PLATE | 4 |
| 51 | 00463-G4 | | | | | | BOLT, 7/16 - 14 X 1 1/2" LG | 2 |
| 52 | 00734-G1 | | | | | | LOCK NUT, 7/16 - 14 | 9 |
| 53 | 00463-G6 | | | | | | BOLT, 7/16 - 14 X 1 3/4" LG | 9 |
| 54 | | | | | | | | |
| 55 | | | | | | | | |
| 56 | 70602-G01 | | | | | | RACK AND PINION UNIT (COMPLETE) (INCLUDES ITEMS 57 - 60, 63 - 68). | 1 |
| 57 | 70694-G01 | | | | | | RACK EXTENSION..... | 1 |

FRONT SUSPENSION/STEERING (JAN. 2001) Gasoline Vehicle

When ordering parts, please specify the model and serial number of the product.

* Indicates a component that is not available as an individual part.

G** Indicates consult Customer Service Department for additional information.

| ITEM | PART NO. | 1 | 2 | 3 | 4 | 5 | DESCRIPTION | QTY. |
|------|-----------|---|---|---|---|---|--|------|
| 58 | * | | | | | | JAM NUT, 1/2 - 20 | 1 |
| 59 | 70675-G01 | | | | | | RACK BOOT | 1 |
| 60 | 17618-G1 | | | | | | WIRE TIE..... | 1 |
| 61 | 12416-G2 | | | | | | WIRE TIE | 1 |
| 62 | | | | | | | | |
| 63 | 70638-G01 | | | | | | PINION SEAL..... | 1 |
| 64 | 70695-G01 | | | | | | RACK BALL JOINT (INCLUDES ITEMS 65 - 68)..... | 1 |
| 65 | 50641-G1 | | | | | | RUBBER BOOT | 1 |
| 66 | 50209-G2 | | | | | | SLOTTED NUT, 7/16 - 20..... | 1 |
| 67 | 10387-G2 | | | | | | COTTER PIN, 3/32" X 1" LG..... | 1 |
| 68 | 10389-G3 | | | | | | GREASE FITTING, STRAIGHT | 1 |
| 69 | | | | | | | | |
| 70 | 00464-G6 | | | | | | BOLT, 7/16 - 14 X 2 3/4" LG..... | 2 |
| 71 | 01068-G01 | | | | | | BOLT, 7/16 - 14 X 3 1/2" LG..... | 1 |
| 72 | 70667-G02 | | | | | | SPACER..... | 2 |
| 73 | 70667-G03 | | | | | | SPACER (SHORT)..... | 1 |
| 74 | 00532-G7 | | | | | | NUT, 7/16 - 14 | 1 |
| 75 | 00560-G2 | | | | | | WASHER, 7/16" | 4 |
| 76 | 00734-G1 | | | | | | LOCK NUT, 7/16 - 14 | 3 |
| 77 | | | | | | | | |
| 78 | | | | | | | | |
| 79 | 70607-G01 | | | | | | STEERING SHAFT | 1 |
| 80 | | | | | | | | |
| 81 | 70758-G03 | | | | | | STEERING COLUMN KIT (INCLUDES ITEMS 82 - 84)..... | 1 |
| 82 | 70610-G01 | | | | | | STEERING COLUMN..... | 1 |
| 83 | 28569-G01 | | | | | | STEERING COLUMN BUSHING | 1 |
| 84 | 01022-G01 | | | | | | SCREW, #6 - 20 X 5/16" LG..... | 1 |
| 85 | | | | | | | | |
| 86 | 70758-G04 | | | | | | STEERING COLUMN KIT (HORN) (INCLUDES ITEMS 87 - 89)..... | 1 |
| 87 | 70610-G02 | | | | | | STEERING COLUMN..... | 1 |

Gasoline Vehicle FRONT SUSPENSION/STEERING (JAN. 2001)

When ordering parts, please specify the model and serial number of the product.

* Indicates a component that is not available as an individual part.

G** Indicates consult Customer Service Department for additional information.

| ITEM | PART NO. | 1 | 2 | 3 | 4 | 5 | DESCRIPTION | QTY. |
|------|-----------|---|---|---|---|---|--|------|
| 88 | 28569-G01 | | | | | | STEERING COLUMN BUSHING | 1 |
| 89 | 01022-G01 | | | | | | SCREW, #6 - 20 X 5/16" LG..... | 1 |
| 90 | | | | | | | | |
| 91 | 01006-G01 | | | | | | BOLT, 3/8 - 16 X 1 1/4" LG WITH PATCHLOCK | 4 |
| 92 | 00879-G1 | | | | | | LOCK WASHER, 3/8"..... | 4 |
| 93 | | | | | | | | |
| 94 | 70580-G01 | | | | | | INTERMEDIATE SHAFT (INCLUDES ITEMS 95, 96)..... | 1 |
| 95 | 01055-G01 | | | | | | BOLT, M8 X 1 1/4" LG | 2 |
| 96 | 00565-G8 | | | | | | LOCK WASHER, 5/16"..... | 2 |
| 97 | | | | | | | | |
| 98 | 70751-G01 | | | | | | RETAINING RING (INTERNAL)..... | 1 |
| 99 | 70888-G01 | | | | | | RETAINING RING (EXTERNAL)..... | 1 |
| 100 | 15112-G1 | | | | | | BALL BEARING | 1 |
| 101 | 70887-G01 | | | | | | WAVE WASHER | 1 |
| 102 | 71146-G01 | | | | | | STEERING WHEEL | 1 |
| 103 | 71147-G01 | | | | | | STEERING WHEEL COVER | 1 |
| 104 | 71047-G01 | | | | | | DECAL (E-Z-GO) | 1 |
| 105 | 74405-G01 | | | | | | DECAL (CUSHMAN)..... | 1 |
| 106 | 71948-G01 | | | | | | STEERING WHEEL | 1 |
| 107 | 71950-G01 | | | | | | CLIPBOARD | 1 |
| 108 | 71949-G01 | | | | | | HUB COVER..... | 1 |
| 109 | 14390-G2 | | | | | | LOCK NUT, 5/8 - 18 | 1 |
| 110 | | | | | | | | |
| 111 | 27205-G01 | | | | | | TIE ROD END (LEFT HAND THREAD) (INCLUDES ITEMS 112 - 114)..... | 1 |
| 112 | 50641-G1 | | | | | | RUBBER BOOT | 1 |
| 113 | 50209-G2 | | | | | | SLOTTED NUT, 7/16 - 20..... | 1 |
| 114 | 18434-G3 | | | | | | JAM NUT, 9/16 - 18 (LEFT HAND THREAD) | 1 |
| 115 | 10389-G3 | | | | | | GREASE FITTING, STRAIGHT | 1 |
| 116 | 10387-G2 | | | | | | COTTER PIN, 3/32" X 1" LG..... | 1 |
| 117 | | | | | | | | |

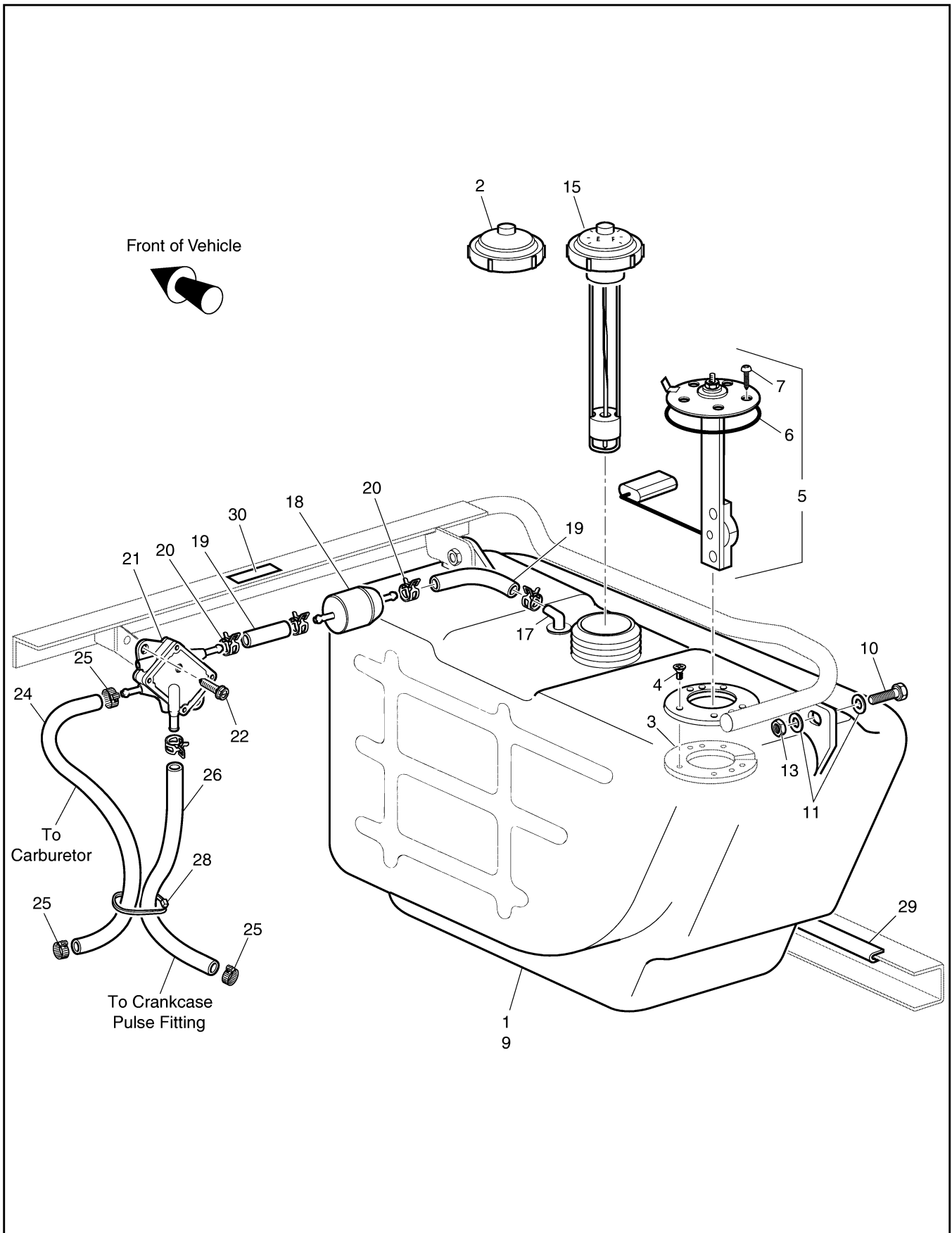
FRONT SUSPENSION/STEERING (JAN. 2001) Gasoline Vehicle

When ordering parts, please specify the model and serial number of the product.

* Indicates a component that is not available as an individual part.

G** Indicates consult Customer Service Department for additional information.

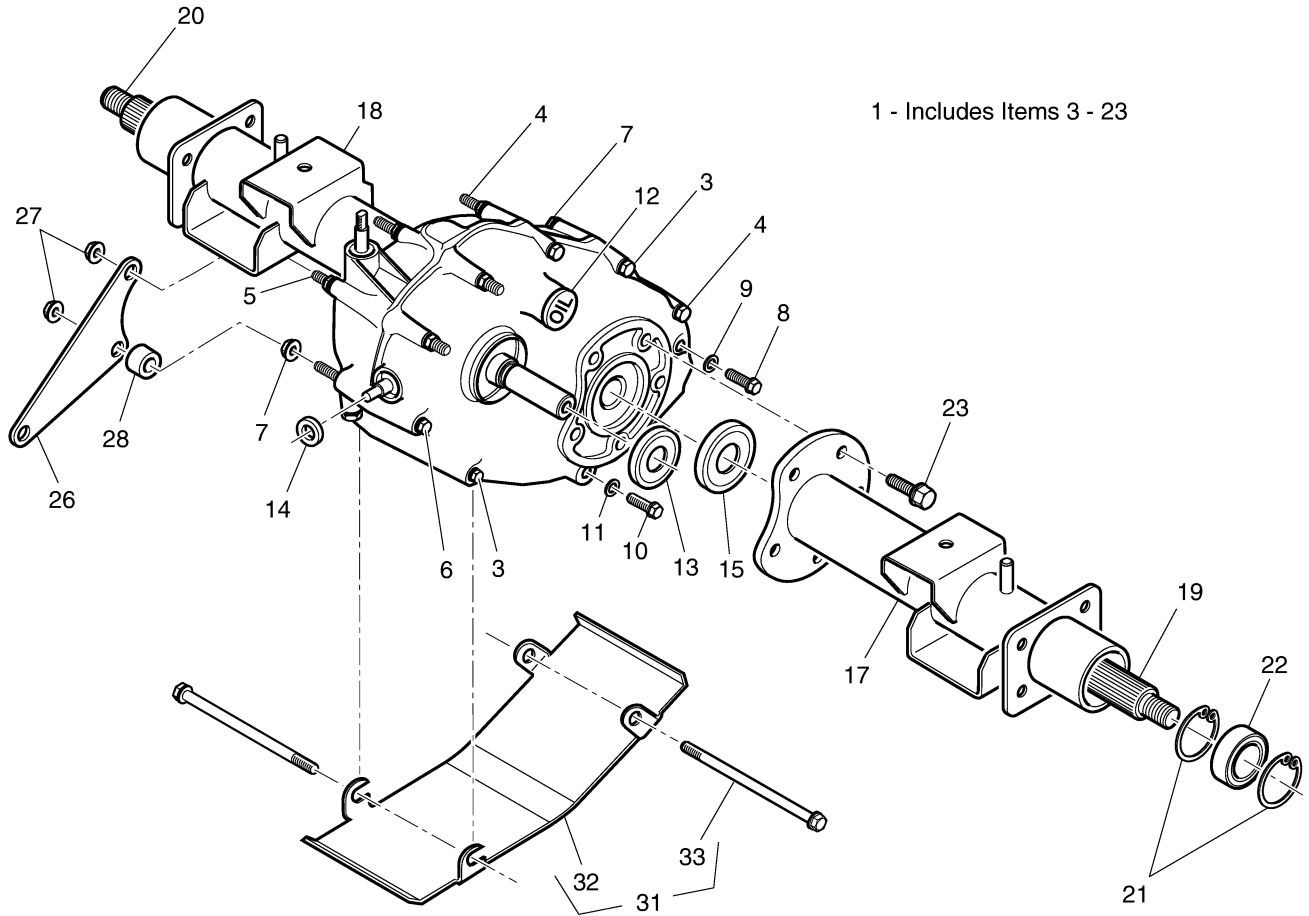
| ITEM | PART NO. | 1 | 2 | 3 | 4 | 5 | DESCRIPTION | QTY. |
|------|-----------|---|---|---|---|---|--|------|
| 118 | 27205-G02 | | | | | | TIE ROD END (RIGHT HAND THREAD) (INCLUDES ITEMS 119 - 121) | 1 |
| 119 | 50641-G1 | | | | | | RUBBER BOOT | 1 |
| 120 | 50209-G2 | | | | | | SLOTTED NUT, 7/16 - 20 | 1 |
| 121 | 18434-G4 | | | | | | JAM NUT, 9/16 - 18 (RIGHT HAND THREAD)..... | 1 |
| 122 | 10389-G3 | | | | | | GREASE FITTING, STRAIGHT | 1 |
| 123 | 10387-G2 | | | | | | COTTER PIN, 3/32" X 1" LG | 1 |
| 124 | | | | | | | | |
| 125 | | | | | | | | |
| 126 | 70876-G02 | | | | | | TIE ROD ASSEMBLY (INCLUDES ITEMS 127 - 131)..... | 1 |
| 127 | 70897-G02 | | | | | | THREADED ROD (24" LG) | 1 |
| 128 | 70902-G01 | | | | | | TIE ROD END (LEFT HAND THREADS) | 1 |
| 129 | 01069-G01 | | | | | | JAM NUT, M12 X 1.25-05 (LEFT HAND THREADS) | 1 |
| 130 | 70902-G02 | | | | | | TIE ROD END (RIGHT HAND THREADS) | 1 |
| 131 | 01069-G02 | | | | | | JAM NUT, M12 X 1.25-05 (RIGHT HAND THREADS)..... | 1 |
| 132 | | | | | | | | |
| 133 | 00734-G1 | | | | | | LOCK NUT, 7/16 - 14 | 2 |



When ordering parts, please specify the model and serial number of the product.
 * Indicates a component that is not available as an individual part.
 G** Indicates consult Customer Service Department for additional information.

| ITEM | PART NO. | 1 2 3 4 5 | DESCRIPTION | QTY. |
|------|-----------|-----------|--|------|
| 1 | 72092-G01 | | FUEL TANK (FOR VEHICLES WITHOUT GAUGE) | 1 |
| 2 | 72282-G01 | | FUEL TANK CAP | 1 |
| 3 | 72229-G01 | | FUEL LEVEL SENDER ADAPTER | 1 |
| 4 | 72230-G01 | | SCREW, #6 - 32 X 1/2" LG | 2 |
| 5 | 20048-G2 | | FUEL LEVEL SENDER (ELEC. FUEL GAUGE) (INCLUDES ITEMS 6, 7) | 1 |
| 6 | * | | GASKET | 1 |
| 7 | 72232-G01 | | SCREW, #10 - 32 x 3/4" LG | 5 |
| 8 | | | | |
| 9 | 72092-G02 | | FUEL TANK (FOR ELECTRIC FUEL GAUGE) | 1 |
| 10 | 00438-G1 | | BOLT, 5/16 - 18 X 1 1/8" LG | 2 |
| 11 | 00559-G8 | | WASHER, 5/16" | 4 |
| 12 | | | | |
| 13 | 11098-G6 | | LOCK NUT, 5/16 - 18 | 3 |
| 14 | | | | |
| 15 | 14099-G2 | | FUEL TANK CAP WITH GAUGE | |
| 16 | | | | |
| 17 | 18287-G2 | | FUEL PICK UP TUBE | 1 |
| 18 | 72084-G01 | | FUEL FILTER | 1 |
| 19 | 25346-G11 | | TUBING, 4" LG (BULK) | 2 |
| 20 | 18292-G1 | | CLAMP | 5 |
| 21 | 72021-G01 | | FUEL PUMP | 1 |
| 22 | 00114-G6 | | SCREW, 1/4 - 14 X 3/4" LG | 2 |
| 23 | | | | |
| 24 | 25346-G6 | | TUBING, 26" LG (BULK) | A/R |
| 25 | 11391-G4 | | HOSE CLAMP | 3 |
| 26 | 27184-G01 | | PULSE TUBING, 26" LG (BULK) | A/R |
| 27 | | | | |
| 28 | 17618-G1 | | WIRE TIE | 3 |
| 29 | 32617-G2 | | VINYL TRIM, 14" LG (BULK) | A/R |
| 30 | 26459-G01 | | LABEL (UNLEADED GASOLINE ONLY) | 1 |





When ordering parts, please specify the model and serial number of the product.

* Indicates a component that is not available as an individual part.

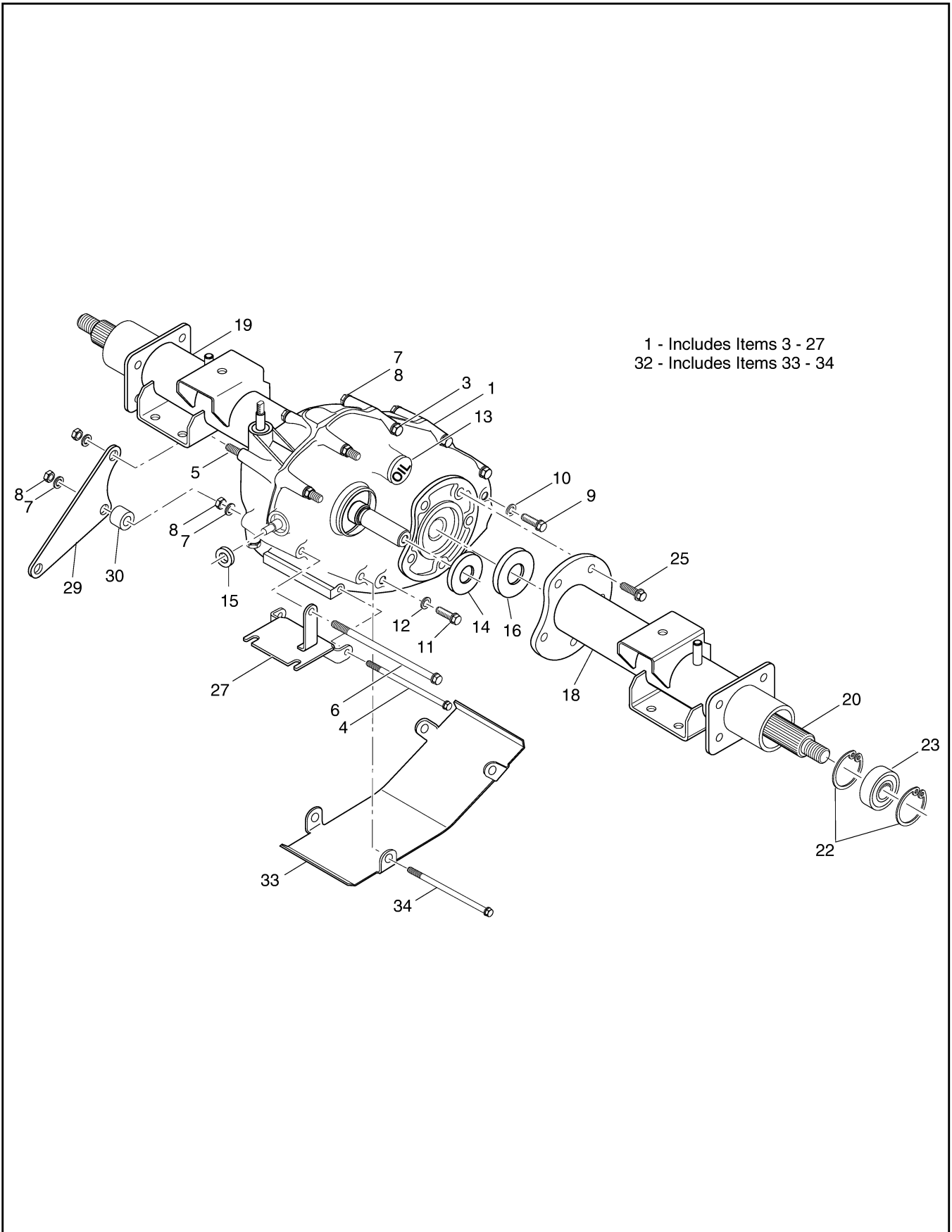
G** Indicates consult Customer Service Department for additional information.

| ITEM | PART NO. | 1 2 3 4 5 | DESCRIPTION | QTY. |
|------|-----------|-----------|---|------|
| 1 | 74520-G01 | | REAR AXLE (13.32:1) (INCLUDES ITEMS 3 - 23) | 1 |
| 2 | | | | |
| 3 | 26823-G01 | | FLANGED BOLT, M8 X 1.25 X 100 MM LG | 5 |
| 4 | 26824-G01 | | FLANGED BOLT, M8 X 1.25 X 110 MM LG | 2 |
| 5 | * | | BOLT, M8 X 1.25 X 146 MM LG | 2 |
| 6 | 72052-G01 | | FLANGED BOLT, M8 X 1.25 X 130 MM LG | 1 |
| 7 | 72269-G01 | | FLANGE NUT, M8 X 1.25 MM..... | 12 |
| 8 | 26768-G01 | | OIL CHECK PLUG | 1 |
| 9 | 26769-G01 | | GASKET, 8 MM | 1 |
| 10 | 26770-G01 | | OIL DRAIN PLUG..... | 1 |
| 11 | 26771-G01 | | GASKET, 14 MM | 1 |
| 12 | 26772-G01 | | OIL FILLER PLUG..... | 1 |
| 13 | 26761-G01 | | INPUT SHAFT SEAL..... | 1 |
| 14 | 26762-G01 | | SHIFTER SHAFT SEAL..... | 1 |
| 15 | 72259-G01 | | AXLE SHAFT SEAL..... | 2 |
| 16 | | | | |
| 17 | 72249-G01 | | AXLE TUBE (DRIVER SIDE) | 1 |
| 18 | 72248-G01 | | AXLE TUBE (PASSENGER SIDE)..... | 1 |
| 19 | 72056-G01 | | AXLE SHAFT (DRIVER SIDE) | 1 |
| 20 | 72057-G01 | | AXLE SHAFT (PASSENGER SIDE)..... | 1 |
| 21 | 26814-G01 | | RETAINING RING | 4 |
| 22 | 26811-G01 | | BALL BEARING..... | 2 |
| 23 | 72260-G01 | | FLANGED BOLT, M10 X 1.5 X 23 MM LG | 10 |
| 24 | | | | |
| 25 | | | | |
| 26 | 72017-G01 | | AXLE BRACKET | 1 |
| 27 | 26830-G01 | | LOCK NUT, M8 X 1.25 MM..... | 2 |
| 28 | 75048-G01 | | SPACER, 1/2" | 1 |
| 29 | | | | |
| 30 | | | | |

REAR AXLE - SINGLE CABLE SHIFTER**Gasoline Vehicle**

When ordering parts, please specify the model and serial number of the product.
 * Indicates a component that is not available as an individual part.
 G** Indicates consult Customer Service Department for additional information.

| ITEM | PART NO. | 1 2 3 4 5 | DESCRIPTION | QTY. |
|------|-----------|-----------|---|------|
| 31 | 72347-G01 | | DIFFERENTIAL SCUFF GUARD KIT (INCLUDES ITEMS 32 - 33) | 1 |
| 32 | 72349-G01 | | DIFFERENTIAL SKID PLATE | 1 |
| 33 | 26824-G01 | | FLANGED BOLT, M8 X 1.25 X 110 MM LG | 2 |



REAR AXLE - DUAL CABLE SHIFTER

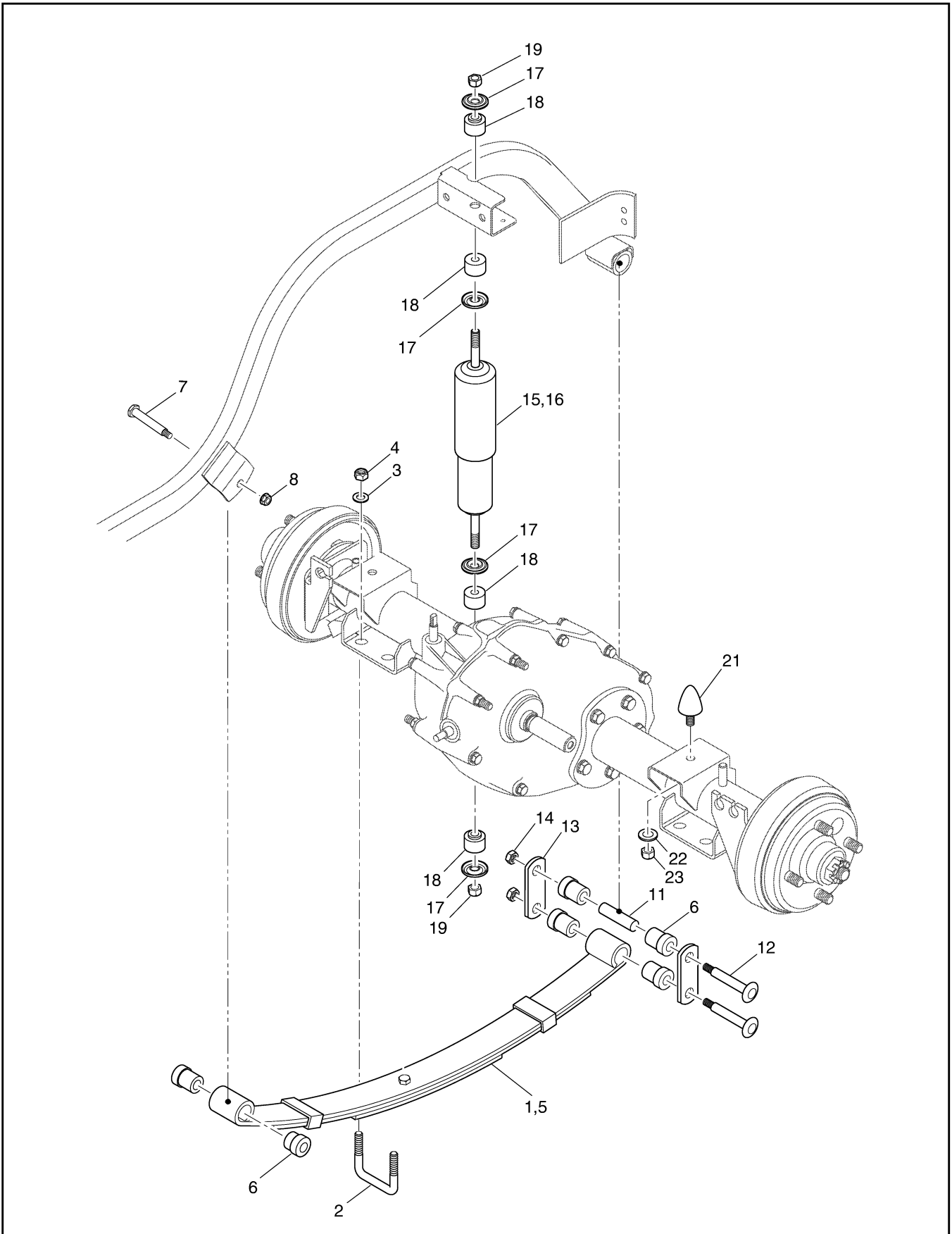
serial number of the product.
 individual part.
 t for additional information.

| DESCRIPTION | QTY. |
|------------------------------|------|
| (INCLUDES ITEMS 3 - 27)..... | 1 |
| M8 X 1.25 X 100 MM LG | 7 |
| M8 X 1.25 X 110 MM LG..... | 1 |
| M8 X 1.25 X 120 MM LG | 1 |
| M8 X 1.25 X 130 MM LG | 1 |
| 8 MM | 14 |
| IM | 14 |
| | 1 |
| | 1 |
| | 1 |
| | 1 |
| | 1 |
| | 1 |
| | 1 |
| | 1 |
| | 1 |
| | 2 |
| | 1 |
| | 1 |
| | 1 |
| | 1 |
| | 4 |
| | 2 |
| | 10 |
| | 1 |
| | 1 |
| | 1 |

REAR AXLE - DUAL CABLE SHIFTER**Gasoline Vehicle**

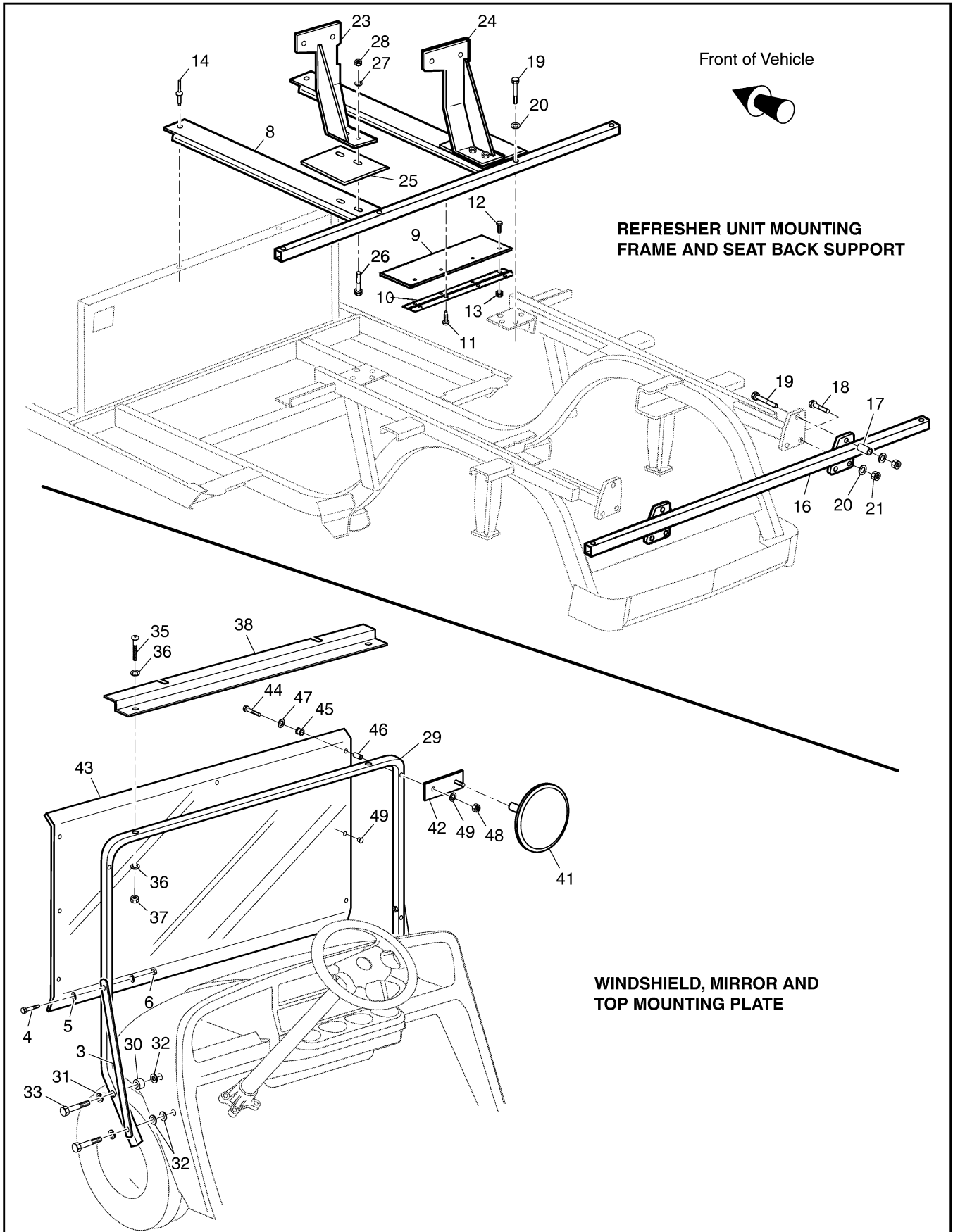
When ordering parts, please specify the model and serial number of the product.
 * Indicates a component that is not available as an individual part.
 G** Indicates consult Customer Service Department for additional information.

| ITEM | PART NO. | 1 2 3 4 5 | DESCRIPTION | QTY. |
|------|-----------|-----------|---|------|
| 31 | | | | |
| 32 | 72347-G01 | | DIFFERENTIAL SCUFF GUARD KIT (INCLUDES ITEMS 33 - 34) | 1 |
| 33 | 72349-G01 | | DIFFERENTIAL SKID PLATE | 1 |
| 34 | 26824-G01 | | FLANGED BOLT, M8 X 1.25 X 110 MM LG | 2 |



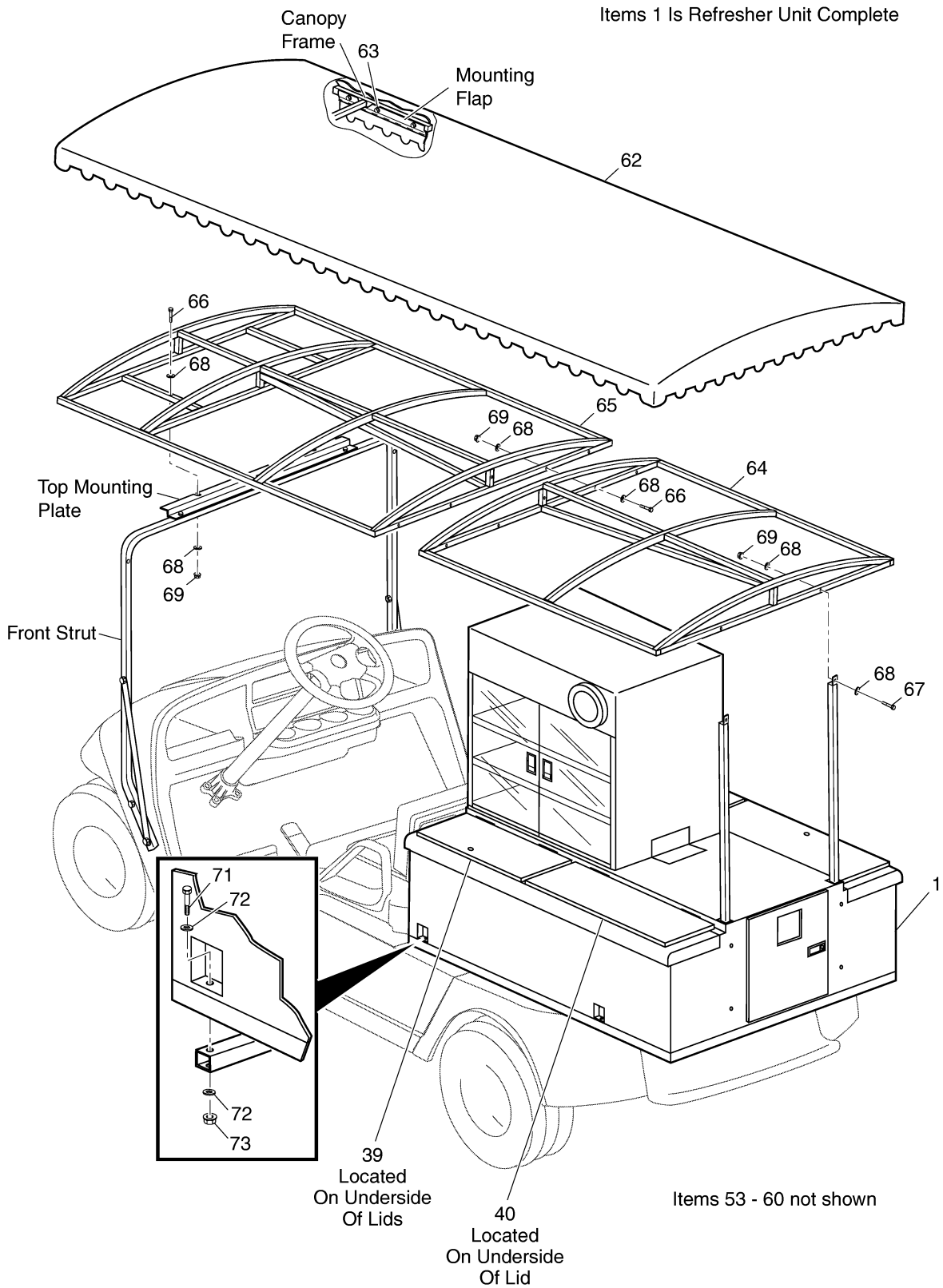
When ordering parts, please specify the model and serial number of the product.
 * Indicates a component that is not available as an individual part.
 G** Indicates consult Customer Service Department for additional information.

| ITEM | PART NO. | 1 2 3 4 5 | DESCRIPTION | QTY. |
|------|-----------|-----------|---|------|
| 1 | 70506-G01 | | LEAF SPRING SET | 1 |
| 2 | 72618-G02 | | 'U' BOLT, 3/8 - 16 | 4 |
| 3 | 00560-G1 | | WASHER, 3/8" | 8 |
| 4 | 11098-G5 | | LOCK NUT, 3/8 - 16 | 8 |
| 5 | 74345-G01 | | LEAF SPRING SET (REFRESHER)..... | 2 |
| 6 | 70291-G01 | | FLANGED BUSHING..... | 12 |
| 7 | 14158-G1 | | SHOULDER BOLT, 3/8 - 16 x 3 1/4" LG | 2 |
| 8 | 12262-G1 | | LOCK NUT, 3/8 - 16 | 2 |
| 9 | | | | |
| 10 | | | | |
| 11 | 70289-G02 | | SPACER..... | 4 |
| 12 | 00429-G4 | | BOLT, 3/8 - 16 X 3 1/2" LG..... | 4 |
| 13 | 70290-G01 | | SHACKLE PLATE | 4 |
| 14 | 11098-G5 | | LOCK NUT, 3/8 - 16 | 1 |
| 15 | 70790-G01 | | SHOCK ABSORBER (REFRESHER)..... | 2 |
| 16 | 70324-G01 | | SHOCK ABSORBER | 2 |
| 17 | 10435-G1 | | WASHER (SHOCK ABSORBER) | 8 |
| 18 | 10194-G1 | | RUBBER BUSHING..... | 8 |
| 19 | 00532-G6 | | NUT, 3/8 - 24 | 4 |
| 20 | | | | |
| 21 | 70492-G01 | | RUBBER BUMPER..... | 2 |
| 22 | 00968-G01 | | LOCK WASHER, 10 MM..... | 2 |
| 23 | 00974-G01 | | NUT, M10 X 1.5..... | 2 |



**REFRESHER UNIT MOUNTING
FRAME AND SEAT BACK SUPPORT**

**WINDSHIELD, MIRROR AND
TOP MOUNTING PLATE**



REFRESHER UNIT

Gasoline Vehicle

When ordering parts, please specify the model and serial number of the product.

* Indicates a component that is not available as an individual part.

G** Indicates consult Customer Service Department for additional information.

| ITEM | PART NO. | 1 2 3 4 5 | DESCRIPTION | QTY. |
|------|-----------|-----------|--|------|
| 1 | 74434-G01 | | REFRESHER UNIT (COMPLETE) (INCLUDES ITEMS 3 - 49)..... | 1 |
| 2 | | | | |
| 3 | 35790-G01 | | BRACE..... | 2 |
| 4 | 00440-G2 | | BOLT, 5/16 - 18 X 2 1/4" LG..... | 4 |
| 5 | 00905-G8 | | LOCK WASHER, 5/16" (BLACK)..... | 4 |
| 6 | 11098-G6 | | LOCK NUT, 5/16 - 18..... | 2 |
| 7 | | | | |
| 8 | 74421-G01 | | REFRESHER UNIT MOUNTING FRAME (FRONT) | 1 |
| 9 | 74392-G01 | | ENGINE ACCESS DOOR..... | 1 |
| 10 | 33121-G01 | | ACCESS DOOR HINGE | 1 |
| 11 | 00106-G6 | | SCREW, 12 - 24 X 3/4" LG | 4 |
| 12 | 00414-G5 | | BOLT, 1/4 - 20 X 1/2" LG..... | 4 |
| 13 | 00891-G2 | | LOCK NUT, 1/4 - 20..... | 4 |
| 14 | 10570-G10 | | RIVET, 5/32" (STAINLESS STEEL) | 2 |
| 15 | | | | |
| 16 | 74394-G01 | | REFRESHER UNIT MOUNTING FRAME (REAR)..... | 1 |
| 17 | 74389-G01 | | SPACER | 2 |
| 18 | 00438-G8 | | BOLT, 5/16 - 18 X 1" LG..... | 4 |
| 19 | 00439-G8 | | BOLT, 5/16 - 18 X 2" LG..... | 4 |
| 20 | 00559-G8 | | WASHER, 5/16" | 8 |
| 21 | 11098-G6 | | LOCK NUT, 5/16 - 18..... | 6 |
| 22 | | | | |
| 23 | 74387-G01 | | SEAT BACK SUPPORT (DRIVER SIDE) | 1 |
| 24 | 74387-G02 | | SEAT BACK SUPPORT (PASSENGER SIDE)..... | 1 |
| 25 | 74433-G01 | | SIDE COVER..... | 2 |
| 26 | 00438-G8 | | BOLT, 5/16 - 18 X 1" LG..... | 4 |
| 27 | 00559-G8 | | WASHER, 5/16" | 4 |
| 28 | 11098-G6 | | LOCK NUT, 5/16 - 18..... | 4 |
| 29 | 75045-G04 | | FRONT STRUT..... | 1 |
| 30 | 75048-G01 | | SPACER | 2 |

When ordering parts, please specify the model and serial number of the product.

* Indicates a component that is not available as an individual part.

G** Indicates consult Customer Service Department for additional information.

| ITEM | PART NO. | 1 | 2 | 3 | 4 | 5 | DESCRIPTION | QTY. |
|------|-----------|---|---|---|---|---|-----------------------------------|------|
| 31 | 00905-G8 | | | | | | LOCK WASHER, 5/16" (BLACK)..... | 4 |
| 32 | 00879-G1 | | | | | | WASHER, 3/8" X 1" | 6 |
| 33 | 01035-G02 | | | | | | BOLT, 5/16 - 18 X 2 1/2" LG | 4 |
| 34 | | | | | | | | |
| 35 | 16705-G5 | | | | | | BOLT, 1/4 - 20 X 1 1/2" LG | 2 |
| 36 | 00559-G7 | | | | | | WASHER, 1/4" | 4 |
| 37 | 00891-G2 | | | | | | LOCK NUT, 1/4 - 20..... | 2 |
| 38 | 74191-G01 | | | | | | TOP MOUNTING PLATE..... | 1 |
| 39 | 36002-G01 | | | | | | DECAL (WARNING) | 3 |
| 40 | 35991-G01 | | | | | | DECAL (WARNING) | 1 |
| 41 | 74202-G01 | | | | | | MIRROR, 6" | 2 |
| 42 | 74203-G01 | | | | | | MIRROR MOUNTING BRACKET..... | 2 |
| 43 | 75021-G03 | | | | | | WINDSHIELD | 1 |
| 44 | 16705-G6 | | | | | | BOLT, 1/4 - 20 X 1 3/4" LG | 4 |
| 45 | 72147-G01 | | | | | | RUBBER GROMMET | 4 |
| 46 | 23726-G7 | | | | | | SPACER | 4 |
| 47 | 00660-G7 | | | | | | WASHER, 1/4" | 8 |
| 48 | 00891-G2 | | | | | | LOCK NUT, 1/4 - 20..... | 4 |
| 49 | 75124-G01 | | | | | | BUMPER | 2 |
| 50 | | | | | | | | |
| 51 | | | | | | | | |
| 52 | | | | | | | ITEMS 53 - 60 NOT SHOWN | |
| 53 | 74346-G01 | | | | | | SIGN BOARD..... | 2 |
| 54 | 75793-G01 | | | | | | CONDIMENT TRAY | 1 |
| 55 | 75794-G01 | | | | | | BOTTLE CADDY..... | 1 |
| 56 | 75795-G01 | | | | | | CASH DRAWER | 1 |
| 57 | 75796-G01 | | | | | | MINI BOTTLE CARRIER | 1 |
| 58 | 75797-G01 | | | | | | HUMIDOR | 1 |
| 59 | 75798-G01 | | | | | | CREDIT CARD MACHINE MOUNT | 1 |
| 60 | 75891-G01 | | | | | | FOOD WARMER..... | 1 |

REFRESHER UNIT

Gasoline Vehicle

When ordering parts, please specify the model and serial number of the product.

* Indicates a component that is not available as an individual part.

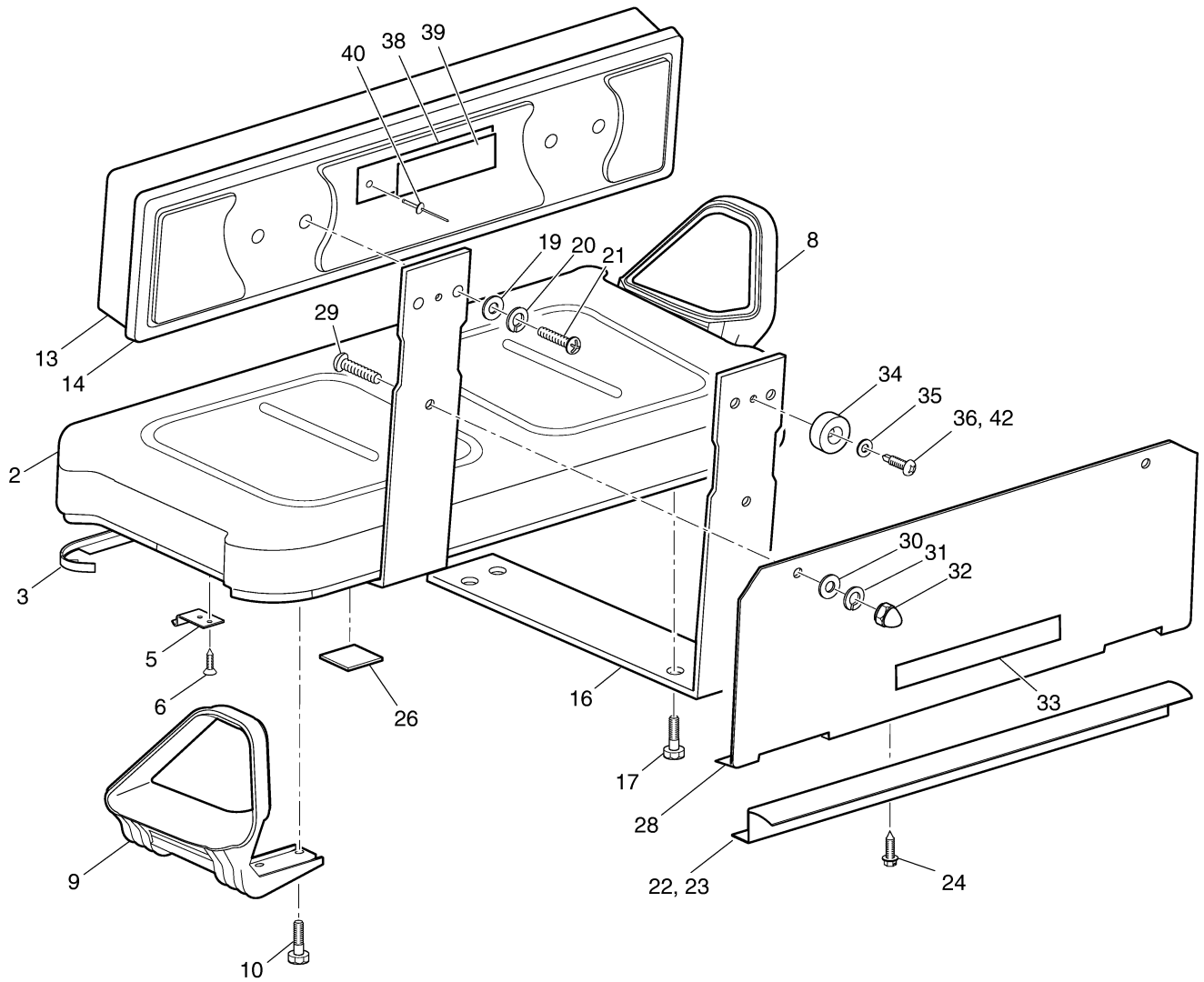
G** Indicates consult Customer Service Department for additional information.

| ITEM | PART NO. | 1 2 3 4 5 | DESCRIPTION | QTY. |
|------|------------|-----------|---|------|
| 61 | | | THE FOLLOWING SERVICE PARTS AND ACCESORIES ARE AVAILABLE FROM 19TH HOLE MARKETING, INC, 400 E. COMSTOCK DRIVE, CHANDLER, AZ 85225, PHONE: (480) 497 - 8280 | |
| 62 | EZRAM10064 | | CANOPY | 1 |
| 63 | H1092 | | SELF TAPPING SCREW, 10MM X 1/2" LG | 40 |
| 64 | EZRAM10060 | | CANOPY FRAME (REAR) | 1 |
| 65 | EZRAM10061 | | CANOPY FRAME (FRONT)..... | 1 |
| 66 | H1075 | | BOLT, 1/4 - 20 X 2" | 7 |
| 67 | H1077 | | BOLT, 1/4 - 20 X 1 1/4" LG | 2 |
| 68 | H1079 | | WASHER, 1/4" | 18 |
| 69 | H1078 | | LOCK NUT, 1/4 - 20 | 9 |
| 70 | | | | |
| 71 | H1083 | | BOLT, 5/16 - 18 X 1 1/4" LG | 4 |
| 72 | H1019 | | WASHER, 5/16" | 8 |
| 73 | H1017 | | LOCK NUT, 5/16 - 18 | 4 |
| 74 | | | ITEMS 75 - 106 NOT SHOWN | |
| 75 | EZRAM10033 | | COLD STORAGE DOOR, FRONT..... | 1 |
| 76 | EZRAM10037 | | COLD STORAGE DOOR, REAR..... | 1 |
| 77 | EZRAM10041 | | CONSUMABLE ICE DOOR | 1 |
| 78 | EZRAM10022 | | CANOPY UPRIGHT | 1 |
| 79 | EZRAM10069 | | HOSE MOUNTING BRACKET..... | 1 |
| 80 | H4007 | | COMPRESSION HINGE | 1 |
| 81 | EZRAM10075 | | TRASH DOOR HINGE | 1 |
| 82 | B6001 | | TRASH BIN | 1 |
| 83 | H4008 | | TRASH DOOR LATCH..... | 1 |
| 84 | EZRAM10045 | | TRASH DOOR COMPARTMENT..... | 1 |
| 85 | M6003 | | DOOR SEAL GASKET | 1 |
| 86 | H2006 | | LOCK (COLD STORAGE DOOR)..... | 1 |
| 87 | | | | |
| 88 | EZRAM10069 | | HOSE MOUNTING BRACKET..... | 2 |
| 89 | H5012 | | SPIGOT VALVE..... | 2 |

When ordering parts, please specify the model and serial number of the product.
 * Indicates a component that is not available as an individual part.
 G** Indicates consult Customer Service Department for additional information.

| ITEM | PART NO. | 1 | 2 | 3 | 4 | 5 | DESCRIPTION | QTY. |
|------|-------------|---|---|---|---|---|---|------|
| 90 | H5000 | | | | | | DRAIN HOSE, 36" LG..... | 1 |
| 91 | H5007 | | | | | | HOSE ADAPTER, 3/4" X 1/2" | 2 |
| 92 | H5006 | | | | | | COMBINATION ELBOW | 3 |
| 93 | H5005 | | | | | | COMBINATION TEE | 1 |
| 94 | H1070 | | | | | | HOSE CLAMP..... | 1 |
| 95 | | | | | | | | |
| 96 | B10000 | | | | | | TOUCH UP PAINT REPAIR KIT | 1 |
| 97 | EZRAM100010 | | | | | | DOOR ACCESSORY MODULE (LEFT)..... | 1 |
| 98 | EZRAM100012 | | | | | | DOOR ACCESSORY MODULE (RIGHT)..... | 1 |
| 99 | H4009 | | | | | | LOCKING LATCH | 1 |
| 100 | B9001 | | | | | | CUP DISPENSER..... | 1 |
| 101 | B9002 | | | | | | CUP DISPENSOR COVER RING..... | 1 |
| 102 | B9003 | | | | | | CUP DISPENSOR COVER SPRING..... | 1 |
| 103 | B6011 | | | | | | AIRPOT, 3.75 LITER (STAINLESS STEEL)..... | 1 |
| 104 | EZRAM100020 | | | | | | AIRPOT RACK ASSEMBLY..... | 1 |
| 105 | H600 | | | | | | DOOR HINGE (STAINLESS STEEL)..... | 1 |
| 106 | M1002 | | | | | | CUSHIONING ADHESIVE TAPE..... | 1 |

1 - Includes Items 2, 3
12 - Includes Items 13, 14

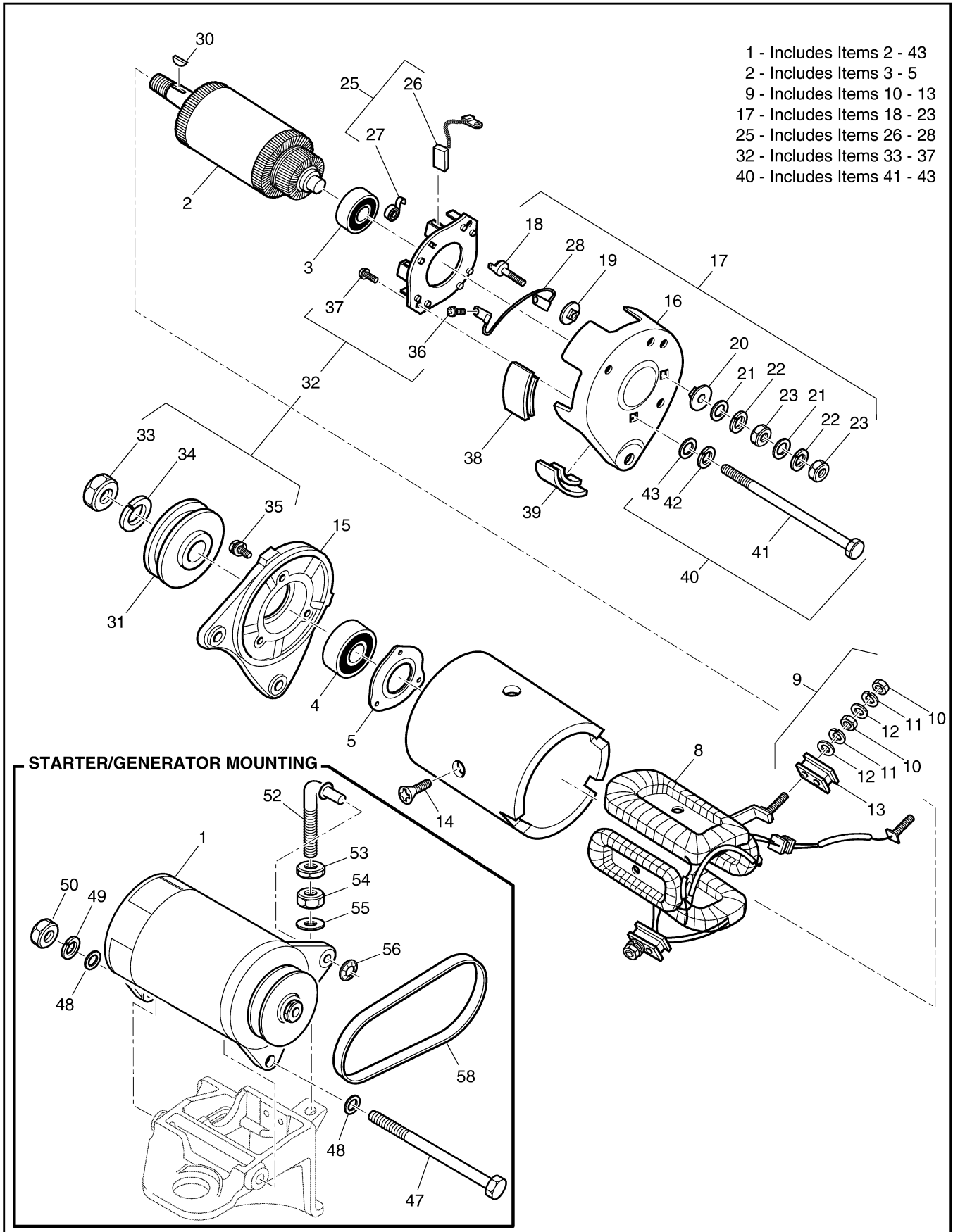


When ordering parts, please specify the model and serial number of the product.
 * Indicates a component that is not available as an individual part.
 G** Indicates consult Customer Service Department for additional information.

| ITEM | PART NO. | 1 2 3 4 5 | DESCRIPTION | QTY. |
|------|-----------|-----------|--|------|
| 1 | 71664-G** | | SEAT BOTTOM ASSEMBLY (INCLUDES ITEMS 2, 3) | 1 |
| 2 | 71602-G** | | VINYL SEAT BOTTOM COVER | 1 |
| 3 | 71012-G01 | | VINYL TRIM (SEAT BOTTOM)..... | 1 |
| 4 | | | | |
| 5 | 71610-G01 | | SEAT HINGE..... | 2 |
| 6 | 00720-G08 | | SCREW, #12 - 14 X 1" LG | 6 |
| 7 | | | | |
| 8 | 71701-G01 | | HIP RESTRAINT (PASSENGER SIDE) | 1 |
| 9 | 71702-G01 | | HIP RESTRAINT (DRIVER SIDE) | 1 |
| 10 | 71204-G01 | | BOLT, 1/4 - 20 X 7/8" LG..... | 8 |
| 11 | | | | |
| 12 | 27546-G** | | SEAT BACK ASSEMBLY (INCLUDES ITEMS 13, 14)..... | 1 |
| 13 | 18144-G** | | VINYL SEAT BACK COVER | 1 |
| 14 | 18868-G3 | | PLASTIC SEAT BACK COVER (BLACK) | 1 |
| 15 | | | | |
| 16 | 71662-G01 | | SEAT BACK SUPPORT BRACKET | 2 |
| 17 | 71204-G01 | | BOLT, 1/4 - 20 X 7/8" LG..... | 8 |
| 18 | | | | |
| 19 | 00559-G7 | | WASHER, 1/4" | 4 |
| 20 | 00565-G7 | | LOCK WASHER, 1/4" | 4 |
| 21 | 16705-G1 | | SCREW, 1/4 - 20 X 1" LG | 4 |
| 22 | 71762-G06 | | SEAL (REFRESHER) | 1 |
| 23 | 71762-G02 | | SEAL | 1 |
| 24 | 00114-G6 | | SCREW, 1/4 - 14 X 3/4" LG | 2 |
| 25 | | | | |
| 26 | 17074-G1 | | BUMPER..... | 2 |
| 27 | | | | |
| 28 | 71783-G01 | | SEAT SHIELD | 1 |
| 29 | 16705-G3 | | SCREW, 1/4 - 20 X 3/4" LG | 2 |
| 30 | 00559-G7 | | WASHER, 1/4" | 2 |

When ordering parts, please specify the model and serial number of the product.
 * Indicates a component that is not available as an individual part.
 G** Indicates consult Customer Service Department for additional information.

| ITEM | PART NO. | 1 2 3 4 5 | DESCRIPTION | QTY. |
|------|-----------|-----------|---|------|
| 31 | 00565-G7 | | LOCK WASHER, 1/4"..... | 2 |
| 32 | 15158-G1 | | ACORN NUT, 1/4 - 20 | 2 |
| 33 | 74093-G01 | | LABEL (WARNING)..... | 1 |
| 34 | 13728-G1 | | RUBBER BUMPER | 2 |
| 35 | 00559-G5 | | WASHER, #10..... | 2 |
| 36 | 00106-G6 | | SELF THREADING SCREW, #12 - 24 X 3/4" LG | 2 |
| 37 | | | | |
| 38 | 71211-G01 | | PLATE / LABEL (800 LB) (INCLUDES ITEM 39) | 1 |
| 39 | 71517-G03 | | LABEL (800 LB)..... | 1 |
| 40 | 14601-G1 | | RIVET, 3/16" X 13/16" LG (ALUMINUM)..... | 2 |
| 41 | | | | |
| 42 | 16705-G1 | | SCREW, 1/4 - 20 X 1" LG (REFRESHER)..... | 4 |



When ordering parts, please specify the model and serial number of the product.

* Indicates a component that is not available as an individual part.

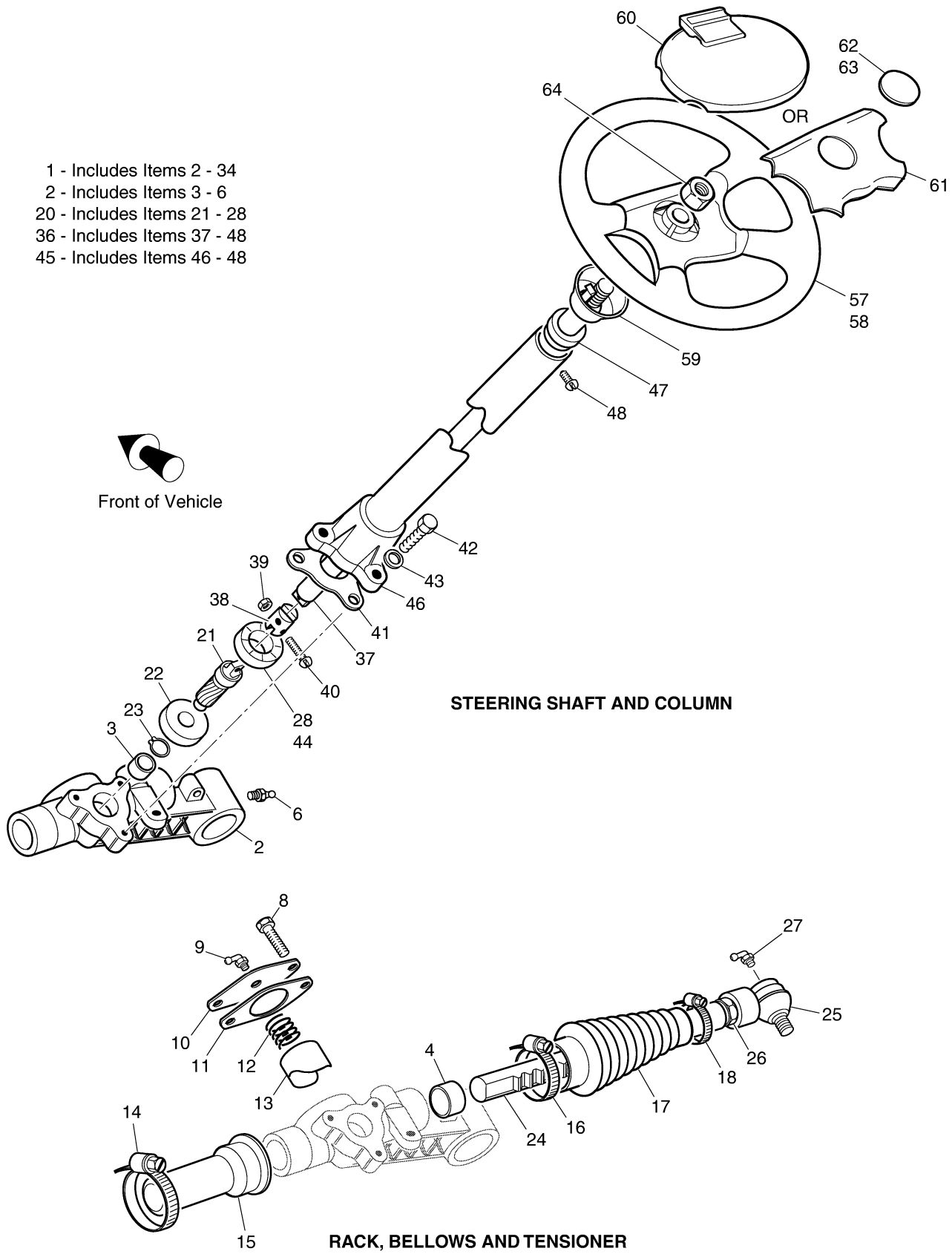
G** Indicates consult Customer Service Department for additional information.

| ITEM | PART NO. | 1 | 2 | 3 | 4 | 5 | DESCRIPTION | QTY. |
|------|-----------|---|---|---|---|---|---|------|
| 1 | 27065-G01 | | | | | | STARTER / GENERATOR (INCLUDES ITEMS 2 - 43)..... | 1 |
| 2 | 26870-G01 | | | | | | ARMATURE (INCLUDES ITEMS 3 - 5)..... | 1 |
| 3 | 26871-G01 | | | | | | REAR BALL BEARING..... | 1 |
| 4 | 26872-G01 | | | | | | FRONT BALL BEARING..... | 1 |
| 5 | 26873-G01 | | | | | | BEARING HOLDER..... | 1 |
| 6 | | | | | | | | |
| 7 | | | | | | | | |
| 8 | 26875-G01 | | | | | | FIELD COIL..... | 1 |
| 9 | 26876-G01 | | | | | | INSULATING BRUSH ASSEMBLY ('F') (INCLUDES ITEMS 10 - 13)..... | 2 |
| 10 | * | | | | | | NUT..... | 2 |
| 11 | * | | | | | | LOCK WASHER..... | 2 |
| 12 | * | | | | | | WASHER..... | 2 |
| 13 | * | | | | | | INSULATOR..... | 1 |
| 14 | 26877-G01 | | | | | | POLE CORE SETSCREW..... | 4 |
| 15 | 26878-G01 | | | | | | FRONT COVER..... | 1 |
| 16 | 27879-G01 | | | | | | REAR COVER..... | 1 |
| 17 | 26880-G01 | | | | | | TERMINAL ASSEMBLY ('A') (INCLUDES ITEMS 18 - 23)..... | 2 |
| 18 | * | | | | | | TERMINAL..... | 2 |
| 19 | * | | | | | | INSULATOR..... | 2 |
| 20 | * | | | | | | INSULATOR..... | 2 |
| 21 | * | | | | | | WASHER..... | 4 |
| 22 | * | | | | | | LOCK WASHER..... | 4 |
| 23 | * | | | | | | NUT..... | 4 |
| 24 | | | | | | | | |
| 25 | 26881-G01 | | | | | | BRUSH HOLDER ASSEMBLY (INCLUDES ITEMS 26 - 28)..... | 1 |
| 26 | 26658-G01 | | | | | | BRUSH..... | 4 |
| 27 | 26882-G01 | | | | | | BRUSH SPRING..... | 4 |
| 28 | 26883-G01 | | | | | | BRUSH CONNECTOR..... | 2 |
| 29 | | | | | | | | |
| 30 | 26884-G01 | | | | | | KEY..... | 1 |

When ordering parts, please specify the model and serial number of the product.
 * Indicates a component that is not available as an individual part.
 G** Indicates consult Customer Service Department for additional information.

| ITEM | PART NO. | 1 | 2 | 3 | 4 | 5 | DESCRIPTION | QTY. |
|------|-----------|---|---|---|---|---|---|------|
| 31 | 26885-G01 | | | | | | PULLEY | 1 |
| 32 | 26886-G01 | | | | | | BRUSH AND PULLEY HARDWARE KIT (INCLUDES ITEMS 33 - 37)..... | 1 |
| 33 | * | | | | | | NUT | 1 |
| 34 | * | | | | | | LOCK WASHER..... | 1 |
| 35 | * | | | | | | SCREW | 3 |
| 36 | * | | | | | | SCREW | 4 |
| 37 | * | | | | | | SCREW | 2 |
| 38 | 26887-G01 | | | | | | BRUSH 1 COVER..... | 3 |
| 39 | 26888-G01 | | | | | | BRUSH 2 COVER..... | 2 |
| 40 | 26889-G01 | | | | | | HOUSING HARDWARE KIT (INCLUDES ITEMS 41 - 43)..... | 2 |
| 41 | * | | | | | | BOLT | 2 |
| 42 | * | | | | | | LOCK WASHER..... | 2 |
| 43 | * | | | | | | WASHER..... | 2 |
| 44 | | | | | | | | |
| 45 | | | | | | | | |
| 46 | | | | | | | | |
| 47 | 00938-G4 | | | | | | BOLT, 1/2 - 13 X 8" LG | 1 |
| 48 | 00560-G3 | | | | | | WASHER, 1/2" | 2 |
| 49 | 00566-G3 | | | | | | LOCK WASHER, 1/2"..... | 1 |
| 50 | 00533-G1 | | | | | | NUT, 1/2 - 13 | 1 |
| 51 | | | | | | | | |
| 52 | 28617-G01 | | | | | | STARTER / GENERATOR ADJUSTER..... | 1 |
| 53 | 00544-G5 | | | | | | JAM NUT, 3/8 - 16 | 1 |
| 54 | 00532-G5 | | | | | | NUT, 3/8 - 16 | 1 |
| 55 | 00560-G1 | | | | | | WASHER, 3/8" | 1 |
| 56 | 12064-G4 | | | | | | PUSH NUT, 5/16" | 1 |
| 57 | | | | | | | | |
| 58 | 26414-G01 | | | | | | STARTER / GENERATOR BELT | 1 |

- 1 - Includes Items 2 - 34
- 2 - Includes Items 3 - 6
- 20 - Includes Items 21 - 28
- 36 - Includes Items 37 - 48
- 45 - Includes Items 46 - 48



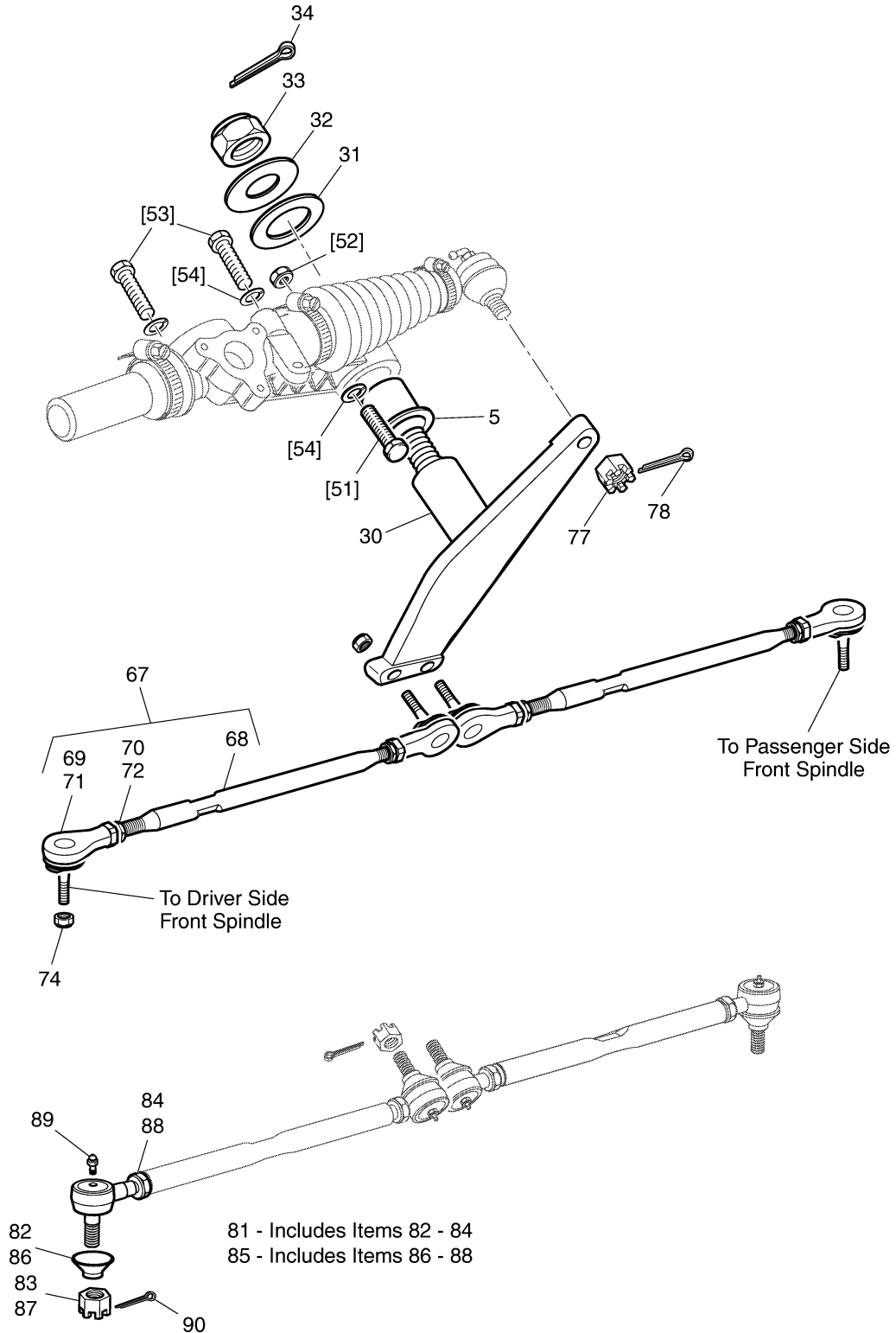
Front of Vehicle

STEERING SHAFT AND COLUMN

RACK, BELLOWS AND TENSIONER

IDLER, TIE RODS AND MOUNTING

#'s within [] is hardware to mount steering housing to vehicle frame



STEERING (EARLY PRODUCTION)

Gasoline Vehicle

When ordering parts, please specify the model and serial number of the product.

* Indicates a component that is not available as an individual part.

G** Indicates consult Customer Service Department for additional information.

| ITEM | PART NO. | 1 | 2 | 3 | 4 | 5 | DESCRIPTION | QTY. |
|------|-----------|---|---|---|---|---|--|------|
| 1 | 70723-G02 | | | | | | STEERING BOX ASSEMBLY (COMPLETE) (INCLUDES ITEMS 2 - 34) | 1 |
| 2 | 75364-G01 | | | | | | STEERING HOUSING (INCLUDES ITEMS 3 - 6)..... | 1 |
| 3 | * | | | | | | SLEEVE BEARING | 1 |
| 4 | * | | | | | | SLEEVE BEARING | 1 |
| 5 | * | | | | | | FLANGED BEARING | 1 |
| 6 | 10389-G3 | | | | | | GREASE FITTING, STRAIGHT | 1 |
| 7 | | | | | | | | |
| 8 | 00426-G6 | | | | | | BOLT, 3/8 - 16 X 3/4" LG | 2 |
| 9 | 18456-G1 | | | | | | GREASE FITTING, 90° | 1 |
| 10 | 70177-G01 | | | | | | RACK GUIDE COVER | 1 |
| 11 | 70225-G01 | | | | | | GASKET | 1 |
| 12 | 70178-G01 | | | | | | COMPRESSION SPRING | 1 |
| 13 | 70179-G01 | | | | | | RACK GUIDE | 1 |
| 14 | 11391-G1 | | | | | | HOSE CLAMP, 1 1/4" | 1 |
| 15 | 70041-G01 | | | | | | RACK COVER..... | 1 |
| 16 | 11391-G1 | | | | | | HOSE CLAMP, 1 1/4" | 1 |
| 17 | 70183-G01 | | | | | | BELLOWS | 1 |
| 18 | 11391-G5 | | | | | | HOSE CLAMP, 3/4" | 1 |
| 19 | | | | | | | | |
| 20 | 70724-G01 | | | | | | STEERING GEAR KIT (INCLUDES ITEMS 21 - 28)..... | 1 |
| 21 | 70717-G01 | | | | | | GEAR PINION..... | 1 |
| 22 | 15112-G1 | | | | | | BALL BEARING | 1 |
| 23 | 70190-G01 | | | | | | EXTERNAL RETAINING RING | 1 |
| 24 | 70718-G01 | | | | | | STEERING RACK | 1 |
| 25 | 70192-G01 | | | | | | RACK BALL END | 1 |
| 26 | 00532-G8 | | | | | | NUT, 7/16 - 20 | 1 |
| 27 | 18456-G1 | | | | | | GREASE FITTING, 90° | 1 |
| 28 | 70466-G01 | | | | | | RETAINER | 1 |
| 29 | | | | | | | | |
| 30 | 70184-G01 | | | | | | IDLER..... | 1 |

When ordering parts, please specify the model and serial number of the product.

* Indicates a component that is not available as an individual part.

G** Indicates consult Customer Service Department for additional information.

| ITEM | PART NO. | 1 | 2 | 3 | 4 | 5 | DESCRIPTION | QTY. |
|------|-----------|---|---|---|---|---|--|------|
| 31 | 70216-G01 | | | | | | THRUST WASHER, 1 1/2" | 1 |
| 32 | 70195-G01 | | | | | | THRUST WASHER, 7/8" | 1 |
| 33 | 00734-G6 | | | | | | LOCK NUT, 7/8 - 9..... | 1 |
| 34 | 00798-G8 | | | | | | COTTER PIN, 5/32" X 1 3/4" LG | 1 |
| 35 | | | | | | | | |
| 36 | 70360-G01 | | | | | | STEERING SHAFT/COLUMN KIT (INCLUDES ITEMS 37 - 48) | 1 |
| 37 | 14322-G6 | | | | | | STEERING SHAFT..... | 1 |
| 38 | 70558-G01 | | | | | | COUPLING..... | 1 |
| 39 | 00550-G1 | | | | | | LOCK NUT, 1/4 - 20..... | 2 |
| 40 | 70227-G01 | | | | | | SCREW, 1/4 - 20 X 7/8" LG..... | 2 |
| 41 | 70223-G01 | | | | | | GASKET | 1 |
| 42 | 01034-G01 | | | | | | BOLT, 3/8 - 16 X 1 1/2" LG WITH PATCHLOCK | 3 |
| 43 | 00878-G1 | | | | | | LOCK WASHER, 3/8"..... | 3 |
| 44 | 70466-G01 | | | | | | RETAINER..... | 1 |
| 45 | 28633-G01 | | | | | | STEERING COLUMN KIT (INCLUDES ITEMS 46 - 48) | 1 |
| 46 | * | | | | | | STEERING COLUMN | 1 |
| 47 | 28569-G01 | | | | | | STEERING COLUMN BUSHING | 1 |
| 48 | 01022-G01 | | | | | | SCREW, #6 - 20 X 5/16" LG | 1 |
| 49 | | | | | | | | |
| 50 | | | | | | | | |
| 51 | 00470-G4 | | | | | | BOLT, 7/16 - 20 X 2 1/2" LG..... | 1 |
| 52 | 00734-G3 | | | | | | LOCK NUT, 7/16 - 20 | 1 |
| 53 | 01033-G01 | | | | | | BOLT, 7/16 - 14 X 1 1/4" LG WITH PATCHLOCK | 2 |
| 54 | 00566-G2 | | | | | | LOCK WASHER, 7/16"..... | 3 |
| 55 | | | | | | | | |
| 56 | | | | | | | | |
| 57 | 71948-G01 | | | | | | STEERING WHEEL | 1 |
| 58 | 71146-G01 | | | | | | STEERING WHEEL (LX/SE)..... | 1 |
| 59 | 71949-G01 | | | | | | HUB COVER | 1 |
| 60 | 71950-G01 | | | | | | CLIPBOARD | 1 |

STEERING (EARLY PRODUCTION)**Gasoline Vehicle**

When ordering parts, please specify the model and serial number of the product.

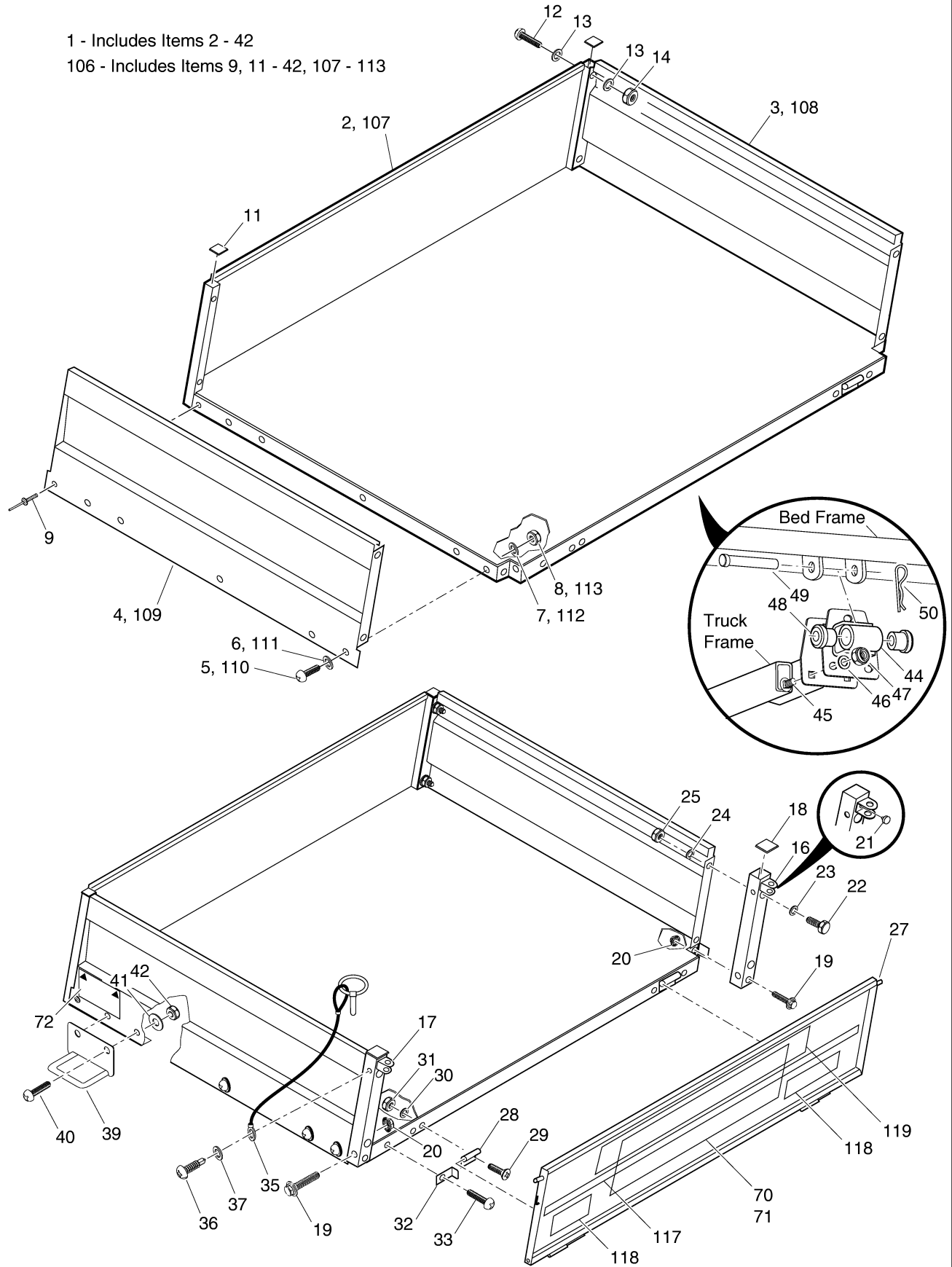
* Indicates a component that is not available as an individual part.

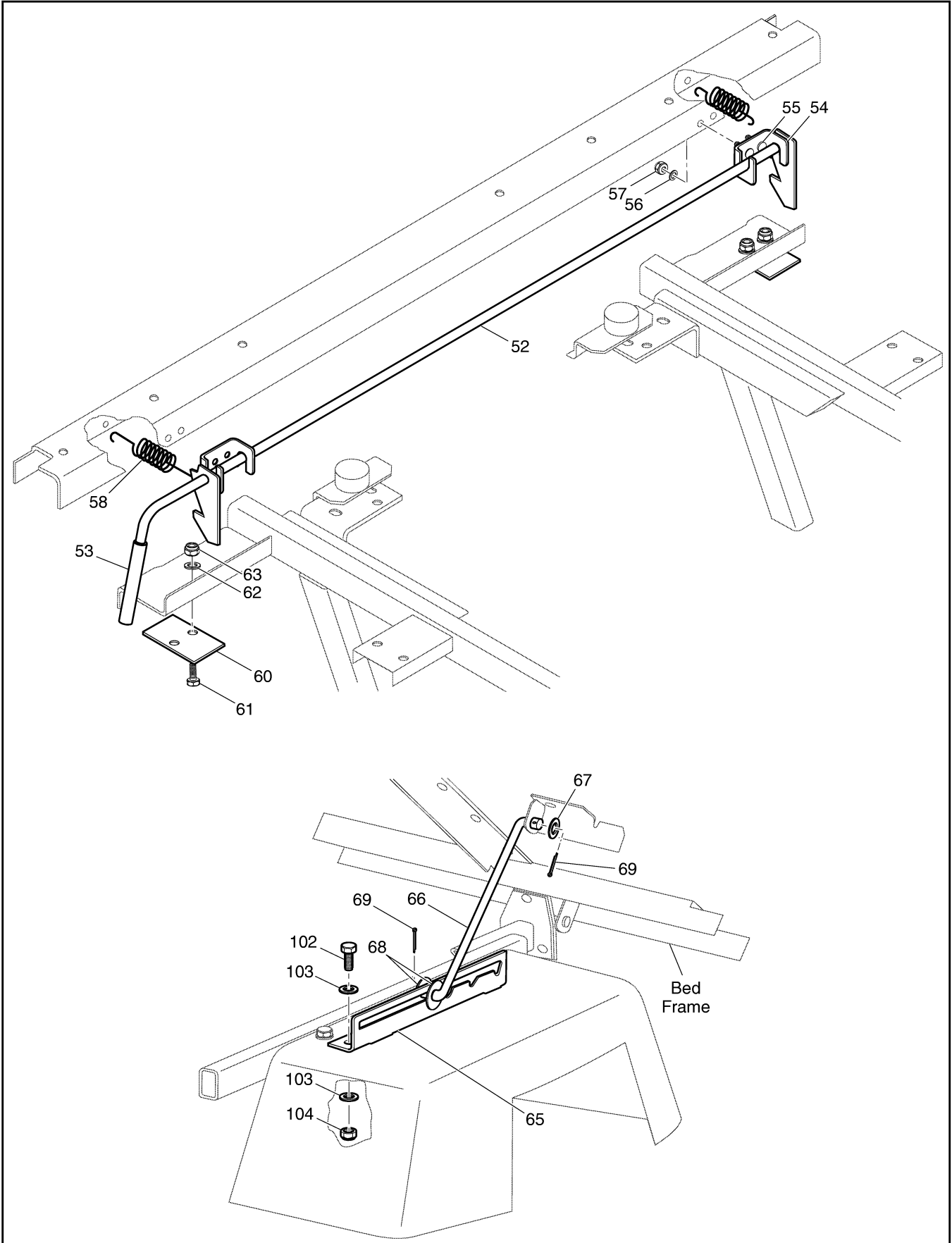
G** Indicates consult Customer Service Department for additional information.

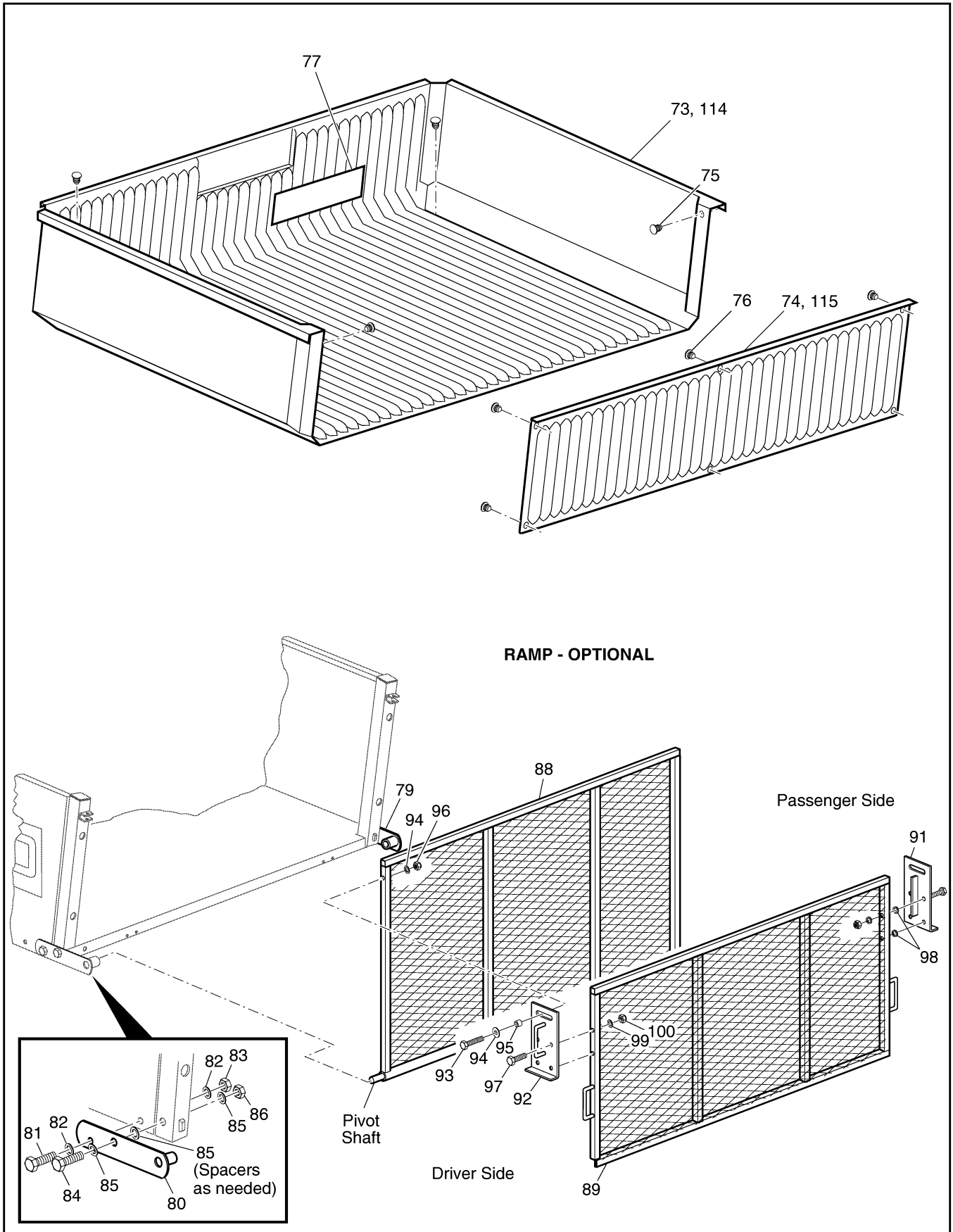
| ITEM | PART NO. | 1 2 3 4 5 | DESCRIPTION | QTY. |
|------|-----------|-----------|---|------|
| 61 | 71147-G01 | | STEERING WHEEL COVER | 1 |
| 62 | 71047-G01 | | DECAL (E-Z-GO) | 1 |
| 63 | 74405-G01 | | DECAL (CUSHMAN)..... | 1 |
| 64 | 14390-G2 | | LOCK NUT, 5/8 - 18 | 1 |
| 65 | | | | |
| 66 | | | | |
| 67 | 70904-G02 | | TIE ROD ASSEMBLY (INCLUDES ITEMS 68 - 72)..... | 2 |
| 68 | 70855-G02 | | THREADED ROD (24" LG) | 1 |
| 69 | 70902-G01 | | TIE ROD END (LEFT HAND THREADS) | 1 |
| 70 | 01069-G01 | | JAM NUT, M12 X 1.25-05 (LEFT HAND THREADS) | 1 |
| 71 | 70902-G02 | | TIE ROD END (RIGHT HAND THREADS) | 1 |
| 72 | 01069-G02 | | JAM NUT, M12 X 1.25-05 (RIGHT HAND THREADS)..... | 1 |
| 73 | | | | |
| 74 | 00734-G1 | | LOCK NUT, 7/16 - 14 | 4 |
| 75 | | | | |
| 76 | | | | |
| 77 | 50209-G2 | | SLOTTED NUT, 7/16 - 20..... | 1 |
| 78 | 10387-G2 | | COTTER PIN, 3/32" X 1" LG..... | 1 |
| 79 | | | | |
| 80 | | | | |
| 81 | 27205-G01 | | TIE ROD END (LEFT HAND THREAD) (INCLUDES ITEMS 82 - 84) | 1 |
| 82 | 50641-G1 | | RUBBER BOOT | 1 |
| 83 | 50209-G2 | | SLOTTED NUT, 7/16 - 20..... | 1 |
| 84 | 18434-G3 | | JAM NUT, 9/16 - 18 (LEFT HAND THREAD) | 1 |
| 85 | 27205-G02 | | TIE ROD END (RIGHT HAND THREAD) (INCLUDES ITEMS 86 - 88)..... | 1 |
| 86 | 50641-G1 | | RUBBER BOOT | 1 |
| 87 | 50209-G2 | | SLOTTED NUT, 7/16 - 20..... | 1 |
| 88 | 18434-G4 | | JAM NUT, 9/16 - 18 (RIGHT HAND THREAD)..... | 1 |
| 89 | 10389-G3 | | GREASE FITTING, STRAIGHT | 2 |
| 90 | 10387-G2 | | COTTER PIN, 3/32" X 1" LG..... | 4 |

1 - Includes Items 2 - 42

106 - Includes Items 9, 11 - 42, 107 - 113







TRUCK BED, MANUAL LIFT

model and serial number of the product.
 able as an individual part.
 Department for additional information.

| 4 | 5 | DESCRIPTION | QTY. |
|---|---|--|------|
| | | D ASSEMBLY (40") (INCLUDES ITEMS 2 - 42) | 1 |
| | | RAME (40") | 1 |
| | | ANEL (40", PASSENGER SIDE)..... | 1 |
| | | ANEL (40", DRIVER SIDE) | 1 |
| | | V, 1/4 - 20 X 3/4" LG | 8 |
| | | ED WASHER, 1/4" | 8 |
| | | ER, 1/4" | 8 |
| | | NUT, 1/4 - 20..... | 8 |
| | | 3/8" X 11/16" LG (ALUMINUM) | 2 |
| | | AP 1" | 2 |
| | | V, 1/4 - 20 X 1 3/4" LG | 4 |
| | | ED WASHER, 1/4" | 8 |
| | | NUT, 1/4 - 20..... | 4 |
| | | (PASSENGER SIDE) | 1 |
| | | (DRIVER SIDE)..... | 1 |
| | | CAP (1 1/2" SQUARE)..... | 2 |
| | | SCREW, 3/8 - 20..... | 4 |
| | | NUT, 3/8 - 16..... | 4 |
| | | ER | 2 |
| | | 1/4 - 20 X 3/4" LG | 4 |
| | | ER, 1/4" | 4 |
| | | ER, 1/4" | 4 |
| | | NUT, 1/4 - 20..... | 4 |
| | | ATE..... | 1 |
| | | | 2 |
| | | 1/4 - 20 X 1" LG | 4 |
| | | ER, 1/4" | 4 |

TRUCK BED, MANUAL LIFT

Gasoline Vehicle

When ordering parts, please specify the model and serial number of the product.

* Indicates a component that is not available as an individual part.

G** Indicates consult Customer Service Department for additional information.

| ITEM | PART NO. | 1 | 2 | 3 | 4 | 5 | DESCRIPTION | QTY. |
|------|-----------|---|---|---|---|---|--|------|
| 31 | 14390-G4 | | | | | | LOCK NUT, 1/4 - 20..... | 4 |
| 32 | 71748-G01 | | | | | | TAILGATE KEEPER | 1 |
| 33 | 16705-G3 | | | | | | SCREW, 1/4 - 20 X 3/4" LG..... | 1 |
| 34 | | | | | | | | |
| 35 | 71083-G01 | | | | | | TAILGATE CABLE | 2 |
| 36 | 00106-G6 | | | | | | SELF-TAPPING SCREW, #12 - 24 X 3/4" LG | 2 |
| 37 | 00915-G1 | | | | | | WASHER, 1/4"..... | 2 |
| 38 | | | | | | | | |
| 39 | 71794-G01 | | | | | | LIFT HANDLE | 1 |
| 40 | 00976-G08 | | | | | | SCREW, 5/16 - 18 X 1" LG..... | 2 |
| 41 | 00559-G8 | | | | | | WASHER, 5/16"..... | 2 |
| 42 | 11098-G6 | | | | | | LOCK NUT, 5/16 - 18..... | 2 |
| 43 | | | | | | | | |
| 44 | 70396-G01 | | | | | | BED PIVOT | 2 |
| 45 | 00764-G2 | | | | | | CARRIAGE BOLT, 5/16 X 1" LG | 6 |
| 46 | 00559-G8 | | | | | | WASHER, 5/16" | 6 |
| 47 | 11098-G6 | | | | | | LOCK NUT, 5/16 - 18 | 6 |
| 48 | 70291-G01 | | | | | | RUBBER BUSHING..... | 4 |
| 49 | 21682-G1 | | | | | | CLEVIS PIN, 1/2" x 2 7/8" LG | 2 |
| 50 | 21683-G1 | | | | | | COTTER PIN, 15/32" X 2 11/16"..... | 2 |
| 51 | | | | | | | | |
| 52 | 71831-G01 | | | | | | BED LATCH | 1 |
| 53 | 71704-G01 | | | | | | HANDLE GRIP | 1 |
| 54 | 71827-G01 | | | | | | LATCH BRACKET..... | 2 |
| 55 | 01014-G03 | | | | | | CARRIAGE BOLT, 1/4 - 20 X 3/4" LG | 4 |
| 56 | 00559-G7 | | | | | | WASHER, 1/4" | 4 |
| 57 | 14390-G4 | | | | | | LOCK NUT, 1/4 - 20 | 4 |
| 58 | 71707-G02 | | | | | | EXTENSION SPRING..... | 2 |
| 59 | | | | | | | | |
| 60 | 71766-G01 | | | | | | CATCH BRACKET | 2 |

When ordering parts, please specify the model and serial number of the product.

* Indicates a component that is not available as an individual part.

G** Indicates consult Customer Service Department for additional information.

| ITEM | PART NO. | 1 | 2 | 3 | 4 | 5 | DESCRIPTION | QTY. |
|------|-----------|---|---|---|---|---|------------------------------------|------|
| 61 | 00414-G6 | | | | | | BOLT, 1/4 - 20 X 3/4" LG..... | 4 |
| 62 | 00559-G7 | | | | | | WASHER, 1/4" | 4 |
| 63 | 14390-G4 | | | | | | LOCK NUT, 1/4 - 20 | 4 |
| 64 | | | | | | | | |
| 65 | 71673-G01 | | | | | | PROP BRACKET | 1 |
| 66 | 71657-G01 | | | | | | PROP ROD | 1 |
| 67 | 00560-G3 | | | | | | WASHER, 1/2" | 1 |
| 68 | 15121-G1 | | | | | | WASHER, 1 1/4" X 3/8"..... | 2 |
| 69 | 10387-G3 | | | | | | COTTER PIN, 3/32 X 3/4" LG | 2 |
| 70 | 71901-G01 | | | | | | DECAL (E-Z-GO) | 1 |
| 71 | 74411-G01 | | | | | | DECAL (CUSHMAN)..... | 1 |
| 72 | 71771-G01 | | | | | | LABEL (TILT WARNING) | 1 |
| 73 | 74234-G01 | | | | | | BED LINER, 40" | 1 |
| 74 | 74235-G01 | | | | | | TAILGATE LINER..... | 1 |
| 75 | 18436-G1 | | | | | | RIVET, 1/4" X 1/2" LG | 4 |
| 76 | 14601-G10 | | | | | | RIVET, 3/16" X 3/8" LG | 6 |
| 77 | 71517-G03 | | | | | | SAFETY DECAL | 1 |
| 78 | | | | | | | | |
| 79 | 28331-G01 | | | | | | RAMP SUPPORT (PASSENGER SIDE)..... | 1 |
| 80 | 28331-G02 | | | | | | RAMP SUPPORT (DRIVER SIDE) | 1 |
| 81 | 00438-G8 | | | | | | BOLT, 5/16 - 18 X 1" LG..... | 2 |
| 82 | 00559-G8 | | | | | | WASHER, 5/16" | 4 |
| 83 | 11098-G6 | | | | | | LOCK NUT, 5/16 - 18 | 2 |
| 84 | 00428-G6 | | | | | | BOLT, 3/8 - 16 X 2 3/4" LG..... | 2 |
| 85 | 00562-G1 | | | | | | WASHER, 3/8" | 6 |
| 86 | 11098-G5 | | | | | | LOCK NUT, 3/8 - 16 | 2 |
| 87 | | | | | | | | |
| 88 | 20264-G1 | | | | | | UPPER RAMP | 1 |
| 89 | 20257-G2 | | | | | | LOWER RAMP..... | 1 |
| 90 | | | | | | | | |

TRUCK BED, MANUAL LIFT

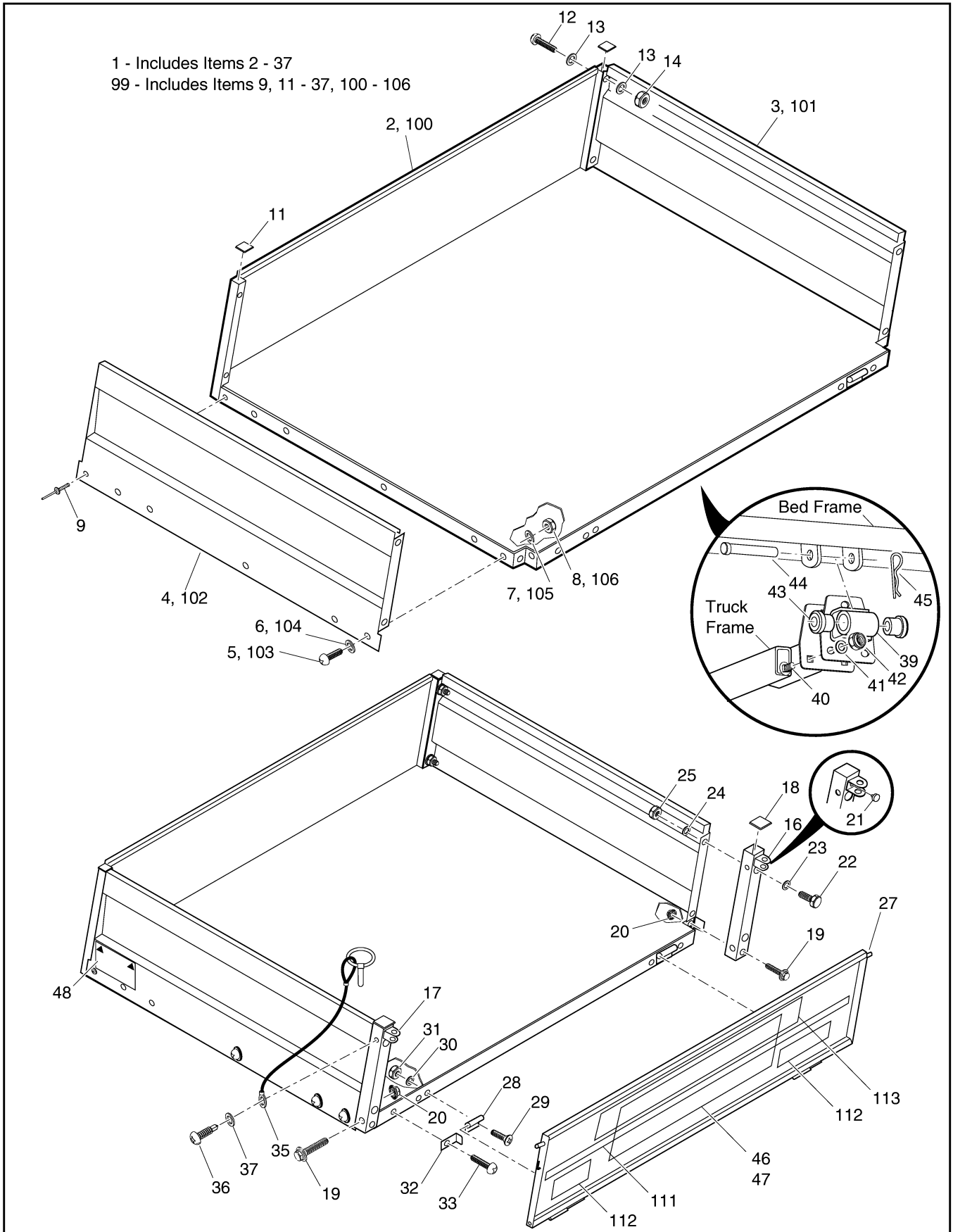
Gasoline Vehicle

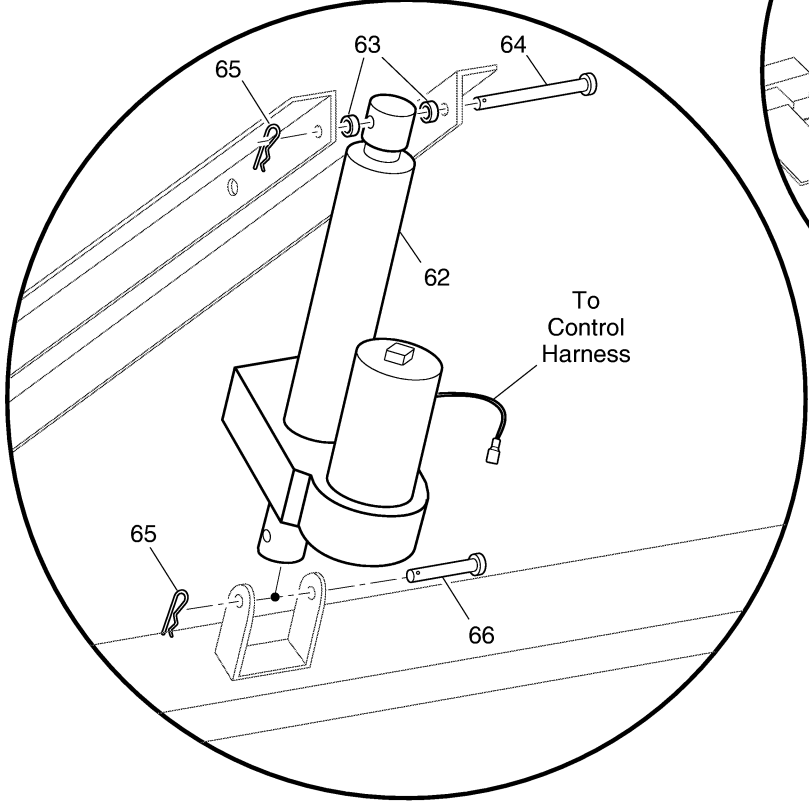
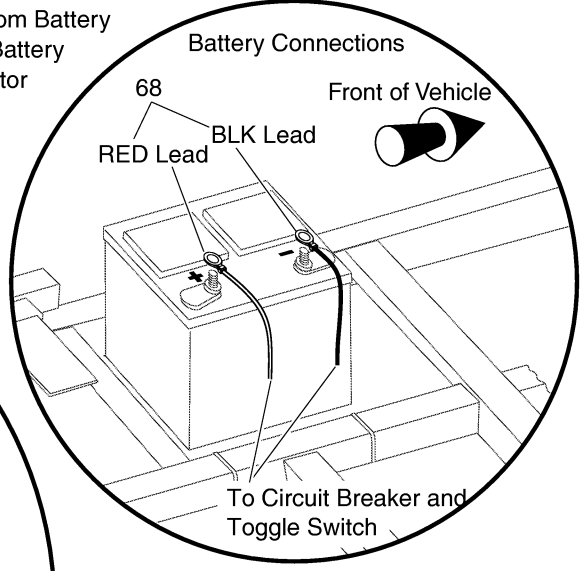
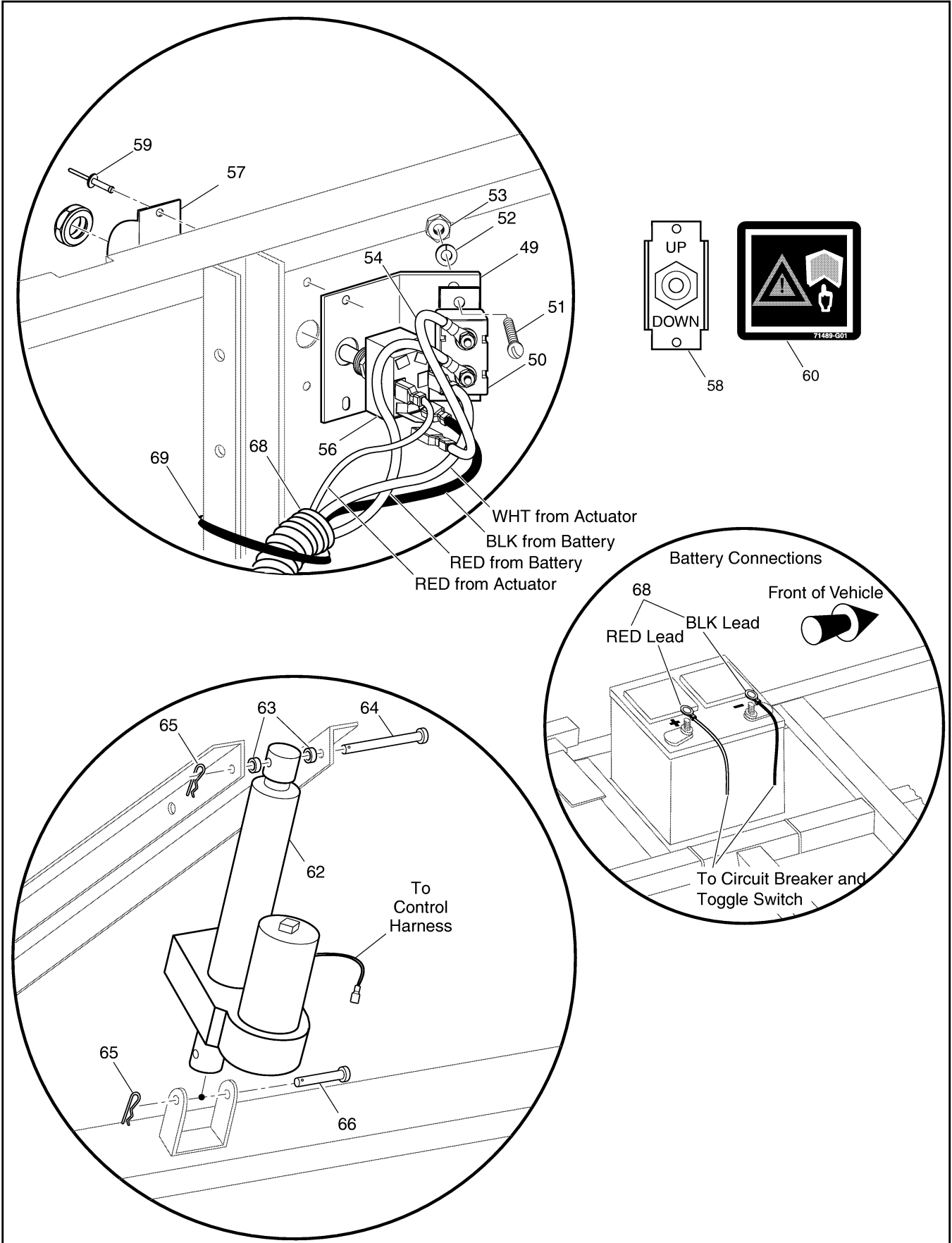
When ordering parts, please specify the model and serial number of the product.

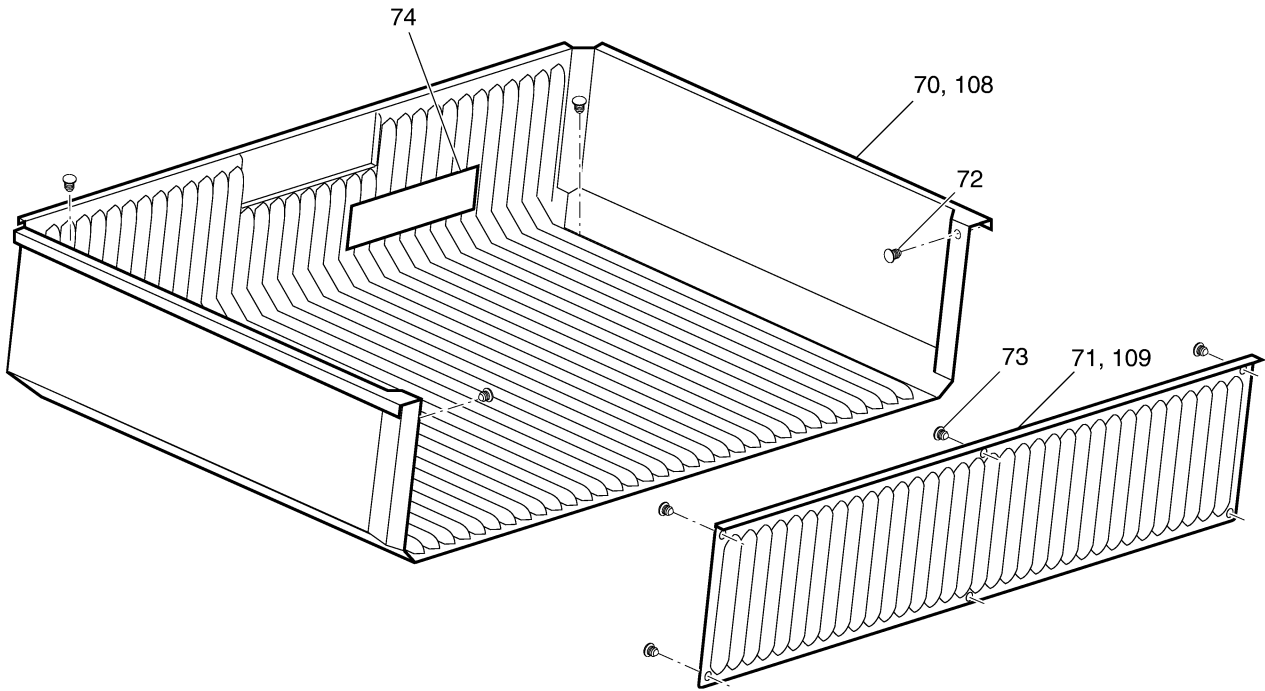
* Indicates a component that is not available as an individual part.

G** Indicates consult Customer Service Department for additional information.

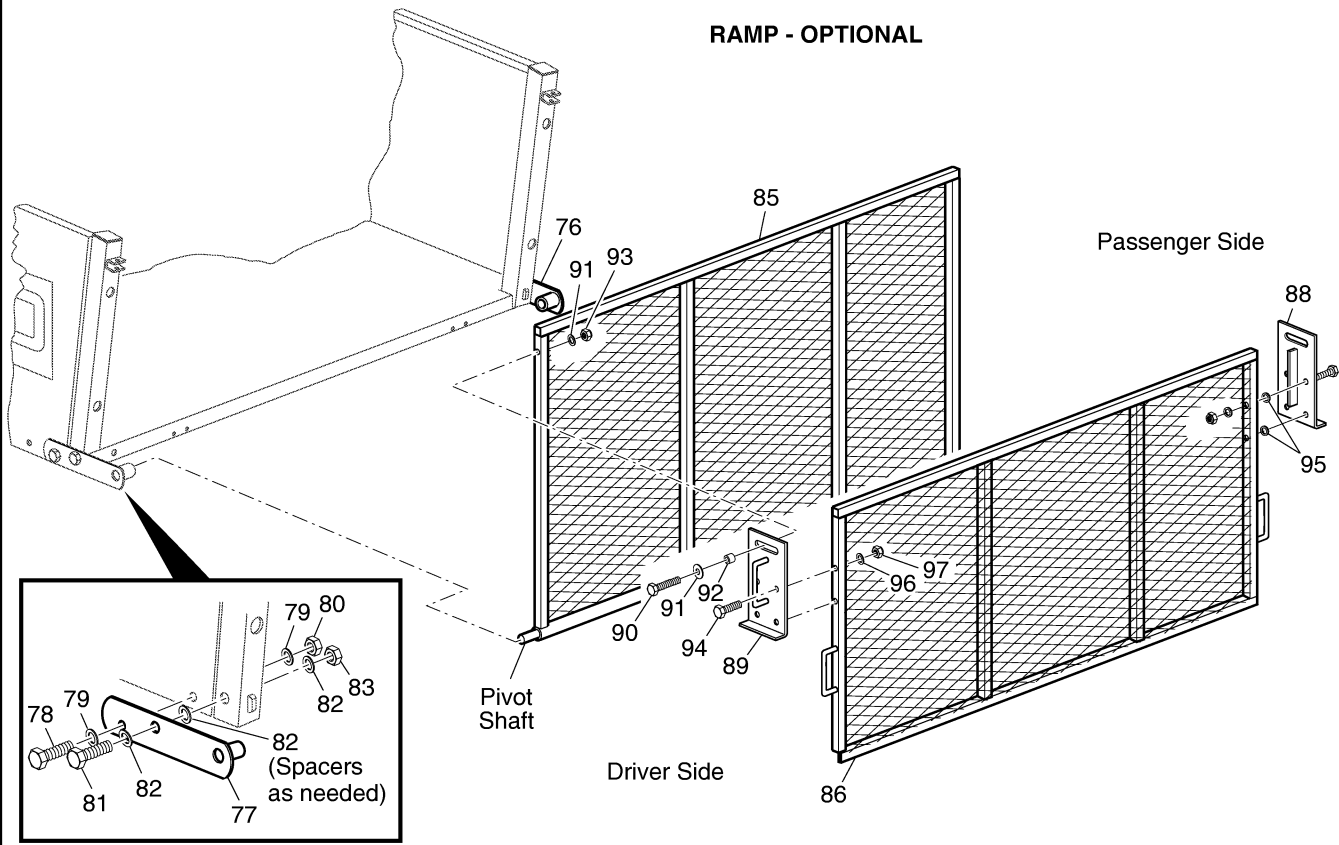
| ITEM | PART NO. | 1 2 3 4 5 | DESCRIPTION | QTY. |
|------|-----------|-----------|--|------|
| 91 | 20252-G1 | | PIVOT (PASSENGER SIDE) | 1 |
| 92 | 20252-G2 | | PIVOT (DRIVER SIDE) | 1 |
| 93 | 00427-G8 | | BOLT, 3/8 - 16 X 2" LG..... | 2 |
| 94 | 00562-G1 | | WASHER, 3/8" | 4 |
| 95 | 20275-G1 | | PIVOT SPACER..... | 2 |
| 96 | 11098-G5 | | LOCK NUT, 3/8 - 16 | 2 |
| 97 | 00439-G6 | | BOLT, 5/16 - 18 X 1 3/4" LG..... | 4 |
| 98 | 00569-G2 | | WASHER, 5/16" | 4 |
| 99 | 00559-G8 | | WASHER, 5/16" | 4 |
| 100 | 11098-G6 | | LOCK NUT, 5/16 - 18 | 4 |
| 101 | | | | |
| 102 | XXXXX-XX | | BOLT, 1/4 - 20 X 7/8" LG (SEE BODY SECTION) | |
| 103 | XXXXX-XX | | WASHER, 1/4" (SEE BODY SECTION) | |
| 104 | XXXXX-XX | | LOCK NUT, 1/4 - 20 (SEE BODY SECTION) | |
| 105 | | | | |
| 106 | 71711-G04 | | TRUCK BED ASSEMBLY 48" (MANUAL DUMP) (INCLUDES ITEMS 9, 11- 42, 107 - 113)..... | 1 |
| 107 | 71719-G02 | | BED FRAME, 48" | 1 |
| 108 | 71742-G01 | | SIDE PANEL (48", PASSENGER SIDE)..... | 1 |
| 109 | 71742-G02 | | SIDE PANEL, (48", DRIVER SIDE) | 1 |
| 110 | 16705-G3 | | SCREW, 1/4 - 20 X 3/4" LG..... | 10 |
| 111 | 00915-G1 | | BONDED WASHER, 1/4" | 10 |
| 112 | 00559-G7 | | WASHER, 1/4" | 10 |
| 113 | 14390-G4 | | LOCK NUT, 1/4 - 20..... | 10 |
| 114 | 74033-G02 | | BED LINER, 48" | 1 |
| 115 | 74036-G01 | | TAILGATE LINER, 48" | 1 |
| 116 | | | | |
| 117 | 71789-G01 | | DECAL, STRIPE | 1 |
| 118 | 71790-G01 | | DECAL (4 CYCLE 11 H.P. OHC / 1110 HAULER) | 1 |
| 119 | 71791-G01 | | DECAL (JACOBSEN) | 1 |







RAMP - OPTIONAL



When ordering parts, please specify the model and serial number of the product.

* Indicates a component that is not available as an individual part.

G** Indicates consult Customer Service Department for additional information.

| ITEM | PART NO. | 1 | 2 | 3 | 4 | 5 | DESCRIPTION | QTY. |
|------|-----------|---|---|---|---|---|--|------|
| 1 | 71711-G01 | | | | | | TRUCK BED ASSEMBLY 40" (INCLUDES ITEMS 2-37) | 1 |
| 2 | 71719-G01 | | | | | | BED FRAME (40") | 1 |
| 3 | 71714-G01 | | | | | | SIDE PANEL (40" PASSENGER SIDE)..... | 1 |
| 4 | 71714-G02 | | | | | | SIDE PANEL (40" DRIVER SIDE) | 1 |
| 5 | 16705-G3 | | | | | | SCREW, 1/4 - 20 X 3/4" LG | 10 |
| 6 | 00915-G1 | | | | | | BONDED WASHER, 1/4" | 10 |
| 7 | 00559-G7 | | | | | | WASHER, 1/4" | 10 |
| 8 | 14390-G4 | | | | | | LOCK NUT, 1/4 - 20..... | 10 |
| 9 | 14601-G8 | | | | | | RIVET, 3/8" X 11/16" LG (ALUMINUM) | 2 |
| 10 | | | | | | | | |
| 11 | 71717-G01 | | | | | | END CAP, 1" | 2 |
| 12 | 16705-G6 | | | | | | SCREW, 1/4 - 20 X 1 3/4" LG | 4 |
| 13 | 00915-G1 | | | | | | WASHER, 1/4" | 8 |
| 14 | 14390-G4 | | | | | | LOCK NUT, 1/4 - 20..... | 4 |
| 15 | | | | | | | | |
| 16 | 71837-G01 | | | | | | POST (PASSENGER SIDE) | 1 |
| 17 | 71837-G02 | | | | | | POST (DRIVER SIDE)..... | 1 |
| 18 | 71718-G01 | | | | | | END CAP, 1 1/2" | 2 |
| 19 | 13437-G8 | | | | | | LOCK SCREW, 3/8 - 16 X 2" LG | 4 |
| 20 | 11027-G5 | | | | | | LOCK NUT, 3/8 - 16..... | 4 |
| 21 | 71838-G01 | | | | | | BUMPER | 2 |
| 22 | 16705-G3 | | | | | | SCREW, 1/4 - 20 X 3/4" LG | 4 |
| 23 | 00915-G1 | | | | | | BONDED WASHER, 1/4" | 4 |
| 24 | 00559-G7 | | | | | | WASHER, 1/4" | 4 |
| 25 | 14390-G4 | | | | | | LOCK NUT, 1/4 - 20..... | 4 |
| 26 | | | | | | | | |
| 27 | 71732-G01 | | | | | | TAILGATE | 1 |
| 28 | 27666-G01 | | | | | | HINGE | 2 |
| 29 | 01002-G08 | | | | | | SCREW, 1/4 - 20 X 1" LG | 4 |
| 30 | 00559-G7 | | | | | | WASHER, 1/4" | 4 |

TRUCK BED, ELECTRIC LIFT**Gasoline Vehicle**

When ordering parts, please specify the model and serial number of the product.

* Indicates a component that is not available as an individual part.

G** Indicates consult Customer Service Department for additional information.

| ITEM | PART NO. | 1 2 3 4 5 | DESCRIPTION | QTY. |
|------|-----------|-----------|--|------|
| 31 | 14390-G4 | | LOCK NUT, 1/4 - 20..... | 4 |
| 32 | 71748-G01 | | TAILGATE KEEPER | 1 |
| 33 | 16705-G3 | | SCREW, 1/4 - 20 X 3/4" LG..... | 1 |
| 34 | | | | |
| 35 | 71083-G01 | | TAILGATE CABLE | 2 |
| 36 | 00106-G6 | | SELF-THREADING SCREW, #12 - 24 X 3/4" LG | 2 |
| 37 | 00915-G1 | | WASHER, 1/4" | 2 |
| 38 | | | | |
| 39 | 70396-G01 | | BED PIVOT | 2 |
| 40 | 00764-G1 | | CARRIAGE BOLT, 5/16 - 18 X 3/4" LG | 6 |
| 41 | 00559-G8 | | WASHER, 5/16" | 6 |
| 42 | 11098-G6 | | LOCK NUT, 5/16 - 18 | 6 |
| 43 | 70291-G01 | | FLANGED BUSHING..... | 4 |
| 44 | 21682-G1 | | CLEVIS PIN, 1/2" X 2 7/8" LG..... | 2 |
| 45 | 21683-G1 | | COTTER PIN, 15/32" X 2 11/16" LG..... | 2 |
| 46 | 71901-G01 | | DECAL (E-Z-GO) | 1 |
| 47 | 74411-G01 | | DECAL (CUSHMAN)..... | 1 |
| 48 | 71771-G01 | | LABEL (TILT WARNING) | 1 |
| 49 | 74165-G01 | | CIRCUIT BREAKER MOUNTING BRACKET..... | 1 |
| 50 | 21320-G3 | | CIRCUIT BREAKER, 30 AMP, 12V..... | 1 |
| 51 | 00150-G4 | | SCREW, #10 - 24 X 1/2" LG | 2 |
| 52 | 00565-G5 | | LOCK WASHER, #10..... | 2 |
| 53 | 00526-G3 | | NUT, #10 - 24 | 2 |
| 54 | 25976-G14 | | 14 GA WIRE (RED 5") | 1 |
| 55 | | | | |
| 56 | 27680-G01 | | TOGGLE SWITCH | 1 |
| 57 | 27447-G01 | | TOGGLE GUARD (INCLUDES ITEM 58) | 1 |
| 58 | 27446-G01 | | LABEL..... | 1 |
| 59 | 10570-G9 | | RIVET, 1/8" X 11/32" LG..... | 2 |
| 60 | 71489-G01 | | SAFETY DECAL | 1 |

When ordering parts, please specify the model and serial number of the product.

* Indicates a component that is not available as an individual part.

G** Indicates consult Customer Service Department for additional information.

| ITEM | PART NO. | 1 2 3 4 5 | DESCRIPTION | QTY. |
|------|-----------|-----------|------------------------------------|------|
| 61 | | | | |
| 62 | 27612-G02 | | ELECTRIC ACTUATOR..... | 1 |
| 63 | 27613-G01 | | SPACER..... | 2 |
| 64 | 14443-G10 | | CLEVIS PIN, 1/2" X 3" LG..... | 1 |
| 65 | 21683-G1 | | COTTER PIN, 2 11/16" LG..... | 2 |
| 66 | 14443-G11 | | CLEVIS PIN, 1/2" X 1 7/8" LG..... | 1 |
| 67 | | | | |
| 68 | 74163-G01 | | WIRE HARNESS | 1 |
| 69 | 17618-G1 | | WIRE TIE | 8 |
| 70 | 74234-G01 | | BED LINER, 40" | 1 |
| 71 | 74235-G01 | | TAILGATE LINER..... | 1 |
| 72 | 18436-G1 | | RIVET, 1/4" X 1/2" LG | 4 |
| 73 | 14601-G10 | | RIVET, 3/16" X 3/8" LG | 6 |
| 74 | 71517-G03 | | SAFETY DECAL | 1 |
| 75 | | | | |
| 76 | 28331-G01 | | RAMP SUPPORT (PASSENGER SIDE)..... | 1 |
| 77 | 28331-G02 | | RAMP SUPPORT (DRIVER SIDE) | 1 |
| 78 | 00438-G8 | | BOLT, 5/16 - 18 X 1" LG..... | 2 |
| 79 | 00559-G8 | | WASHER, 5/16" | 4 |
| 80 | 11098-G6 | | LOCK NUT, 5/16 - 18 | 2 |
| 81 | 00428-G6 | | BOLT, 3/8 - 16 X 2 3/4" LG..... | 2 |
| 82 | 00562-G1 | | WASHER, 3/8" | 6 |
| 83 | 11098-G5 | | LOCK NUT, 3/8 - 16 | 2 |
| 84 | | | | |
| 85 | 20264-G1 | | UPPER RAMP | 1 |
| 86 | 20257-G2 | | LOWER RAMP..... | 1 |
| 87 | | | | |
| 88 | 20252-G1 | | PIVOT (PASSENGER SIDE) | 1 |
| 89 | 20252-G2 | | PIVOT (DRIVER SIDE) | 1 |
| 90 | 00427-G8 | | BOLT, 3/8 - 16 X 2" LG..... | 2 |

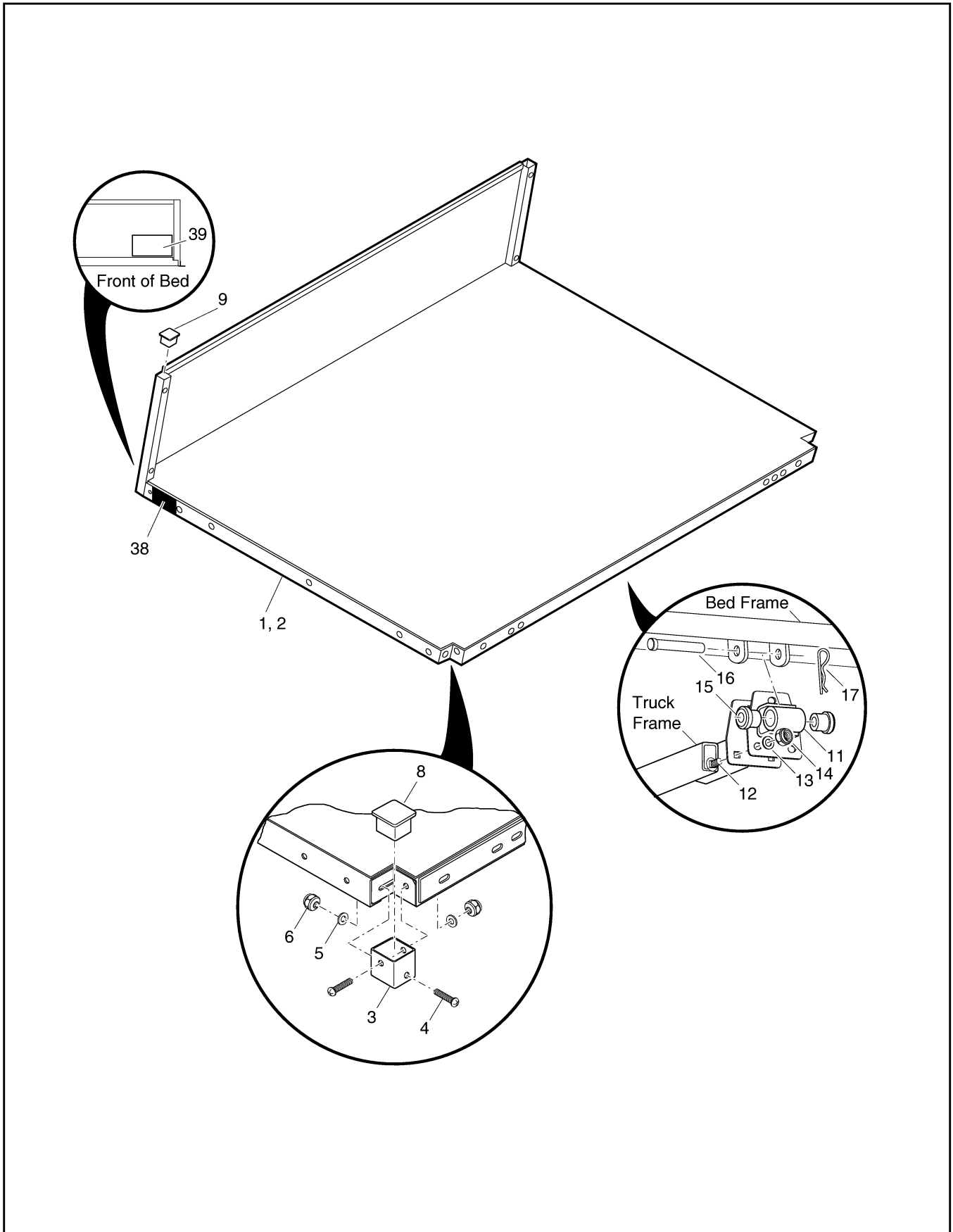
TRUCK BED, ELECTRIC LIFT**Gasoline Vehicle**

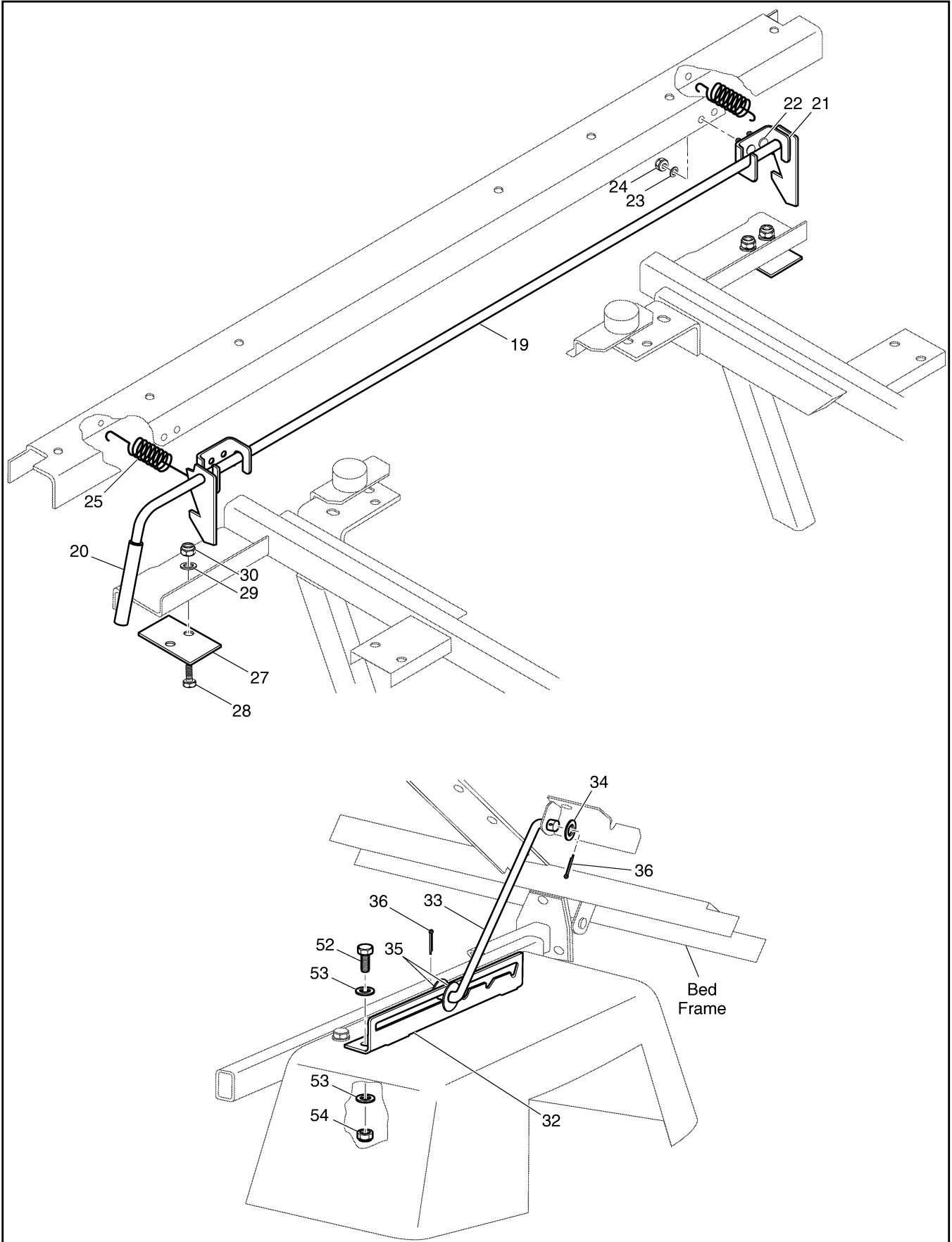
When ordering parts, please specify the model and serial number of the product.

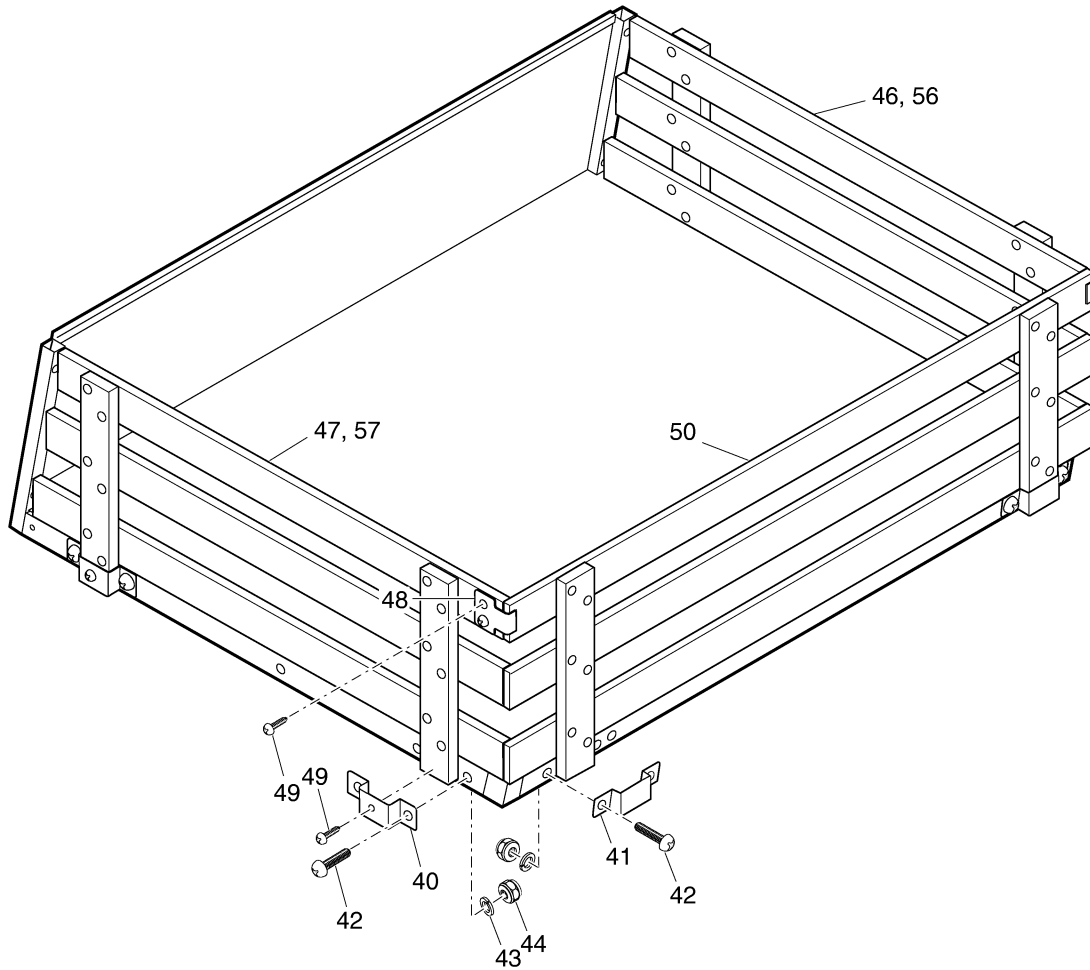
* Indicates a component that is not available as an individual part.

G** Indicates consult Customer Service Department for additional information.

| ITEM | PART NO. | 1 2 3 4 5 | DESCRIPTION | QTY. |
|------|-----------|-----------|---|------|
| 91 | 00562-G1 | | WASHER, 3/8" | 4 |
| 92 | 20275-G1 | | PIVOT SPACER | 2 |
| 93 | 11098-G5 | | LOCK NUT, 3/8 - 16 | 2 |
| 94 | 00439-G6 | | BOLT, 5/16 - 18 X 1 3/4" LG | 4 |
| 95 | 00569-G2 | | WASHER, 5/16" | 4 |
| 96 | 00559-G8 | | WASHER, 5/16" | 4 |
| 97 | 11098-G6 | | LOCK NUT, 5/16 - 18 | 4 |
| 98 | | | | |
| 99 | 71711-G02 | | TRUCK BED ASSEMBLY (48") (ELECTRIC DUMP) (INCLUDES ITEMS 9, 11- 37, 100 - 106) | 1 |
| 100 | 71719-G02 | | BED FRAME (48") | 1 |
| 101 | 71742-G01 | | SIDE PANEL (48", PASSENGER SIDE)..... | 1 |
| 102 | 71742-G02 | | SIDE PANEL (48", DRIVER SIDE) | 1 |
| 103 | 16705-G3 | | SCREW, 1/4 - 20 X 3/4" LG | 12 |
| 104 | 00915-G1 | | BONDED WASHER, 1/4" | 12 |
| 105 | 00559-G7 | | WASHER, 1/4" | 12 |
| 106 | 14390-G4 | | LOCK NUT, 1/4 - 20..... | 12 |
| 107 | | | | |
| 108 | 74033-G02 | | BED LINER, 48" | 1 |
| 109 | 74036-G01 | | TAILGATE LINER, 48" | 1 |
| 110 | | | | |
| 111 | 71789-G01 | | DECAL, STRIPE | 1 |
| 112 | 71790-G01 | | DECAL (4 CYCLE 11 H.P. OHC / 1110 HAULER) | 1 |
| 113 | 71791-G01 | | DECAL (JACOBSEN) | 1 |







When ordering parts, please specify the model and serial number of the product.

* Indicates a component that is not available as an individual part.

G** Indicates consult Customer Service Department for additional information.

| ITEM | PART NO. | 1 2 3 4 5 | DESCRIPTION | QTY. |
|------|-----------|-----------|---|------|
| 1 | 71719-G01 | | BED FRAME, 40" | 1 |
| 2 | 71719-G02 | | BED FRAME, 48" | 1 |
| 3 | 71772-G01 | | CORNER TUBE | 2 |
| 4 | 00762-G9 | | SCREW, 5/16 - 18 X 2 1/2" LG | 4 |
| 5 | 00559-G8 | | WASHER, 5/16" | 4 |
| 6 | 00550-G3 | | NUT, 5/16 - 18 | 4 |
| 7 | | | | |
| 8 | 71718-G01 | | END CAP, 1 1/2" | 2 |
| 9 | 71717-G01 | | END CAP, 1" | 2 |
| 10 | | | | |
| 11 | 70396-G01 | | BED PIVOT | 2 |
| 12 | 00764-G2 | | CARRIAGE BOLT, 5/16 - 18 X 1" LG | 6 |
| 13 | 00559-G8 | | WASHER, 5/16" | 6 |
| 14 | 11098-G6 | | LOCK NUT, 5/16 - 18 | 6 |
| 15 | 70291-G01 | | FLANGED BUSHING | 4 |
| 16 | 21682-G1 | | CLEVIS PIN, 1/2" X 3" LG..... | 2 |
| 17 | 21683-G1 | | COTTER PIN, 15/32" X 2 11/16" LG | 2 |
| 18 | | | | |
| 19 | 71831-G01 | | BED LATCH | 1 |
| 20 | 71704-G01 | | HANDLE GRIP | 1 |
| 21 | 71827-G01 | | LATCH BRACKET | 2 |
| 22 | 01014-G03 | | CARRIAGE BOLT, 1/4 - 20 X 3/4" LG | 4 |
| 23 | 00559-G7 | | WASHER, 1/4" | 4 |
| 24 | 14390-G4 | | LOCK NUT, 1/4 - 20 | 4 |
| 25 | 71707-G02 | | EXTENSION SPRING..... | 2 |
| 26 | | | | |
| 27 | 71766-G01 | | CATCH BRACKET | 2 |
| 28 | 00414-G6 | | BOLT, 1/4 - 20 X 3/4" LG..... | 4 |
| 29 | 00559-G7 | | WASHER, 1/4" | 4 |
| 30 | 14390-G4 | | LOCK NUT, 1/4 - 20 | 4 |

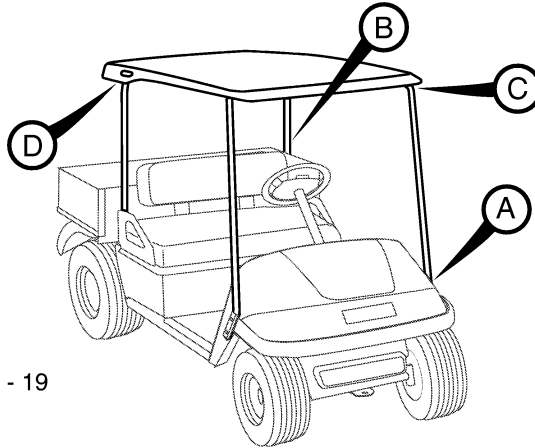
BUCK BED, FLAT & CARGO

Gasoline Vehicle

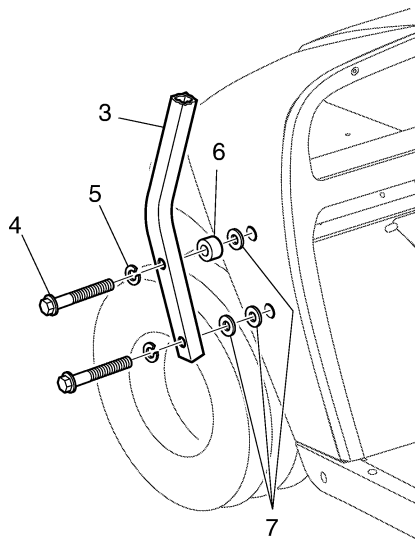
When ordering parts, please specify the model and serial number of the product.
 Indicates a component that is not available as an individual part.
 Indicates consult Customer Service Department for additional information.

| PART NO. | 1 | 2 | 3 | 4 | 5 | DESCRIPTION | QTY. |
|-----------|---|---|---|---|---|---|------|
| 71673-G01 | | | | | | PROP BRACKET | 1 |
| 71657-G01 | | | | | | PROP ROD | 1 |
| 00560-G3 | | | | | | WASHER, 1/2" | 1 |
| 15121-G1 | | | | | | WASHER, 1 1/4" X 3/8"..... | 2 |
| 10387-G3 | | | | | | COTTER PIN, 3/32 X 3/4" LG..... | 2 |
| 71777-G01 | | | | | | LABEL (WARNING) | 1 |
| 71200-G01 | | | | | | LABEL (LOAD WARNING)..... | 1 |
| 74157-G01 | | | | | | SIDE RAIL SUPPORT | 4 |
| 74161-G01 | | | | | | BACK RAIL SUPPORT | 2 |
| 16705-G1 | | | | | | SCREW, 1/4 - 20 X 1" LG | 12 |
| 00559-G7 | | | | | | WASHER, 1/4" | 12 |
| 14390-G4 | | | | | | NUT, 1/4 - 20 | 12 |
| 74167-G01 | | | | | | SIDE CARGO RACK, 40" (PASSENGER SIDE) | 1 |
| 74167-G02 | | | | | | SIDE CARGO RACK, 40" (DRIVER SIDE) | 1 |
| 74079-G01 | | | | | | TAILGATE RETAINER BRACKET | 2 |
| 00666-G6 | | | | | | SCREW, #10 - 12 X 3/4" LG | 8 |
| 74162-G03 | | | | | | REAR CARGO RACK..... | 1 |
| XXXXX-XX | | | | | | BOLT, 1/4 - 20 X 7/8" LG (SEE BODY SECTION) | |
| XXXXX-XX | | | | | | WASHER, 1/4" (SEE BODY SECTION) | |
| XXXXX-XX | | | | | | LOCK NUT, 1/4 - 20 (SEE BODY SECTION) | |
| 74168-G01 | | | | | | SIDE CARGO RACK, 48" (PASSENGER SIDE) | 1 |
| 74168-G02 | | | | | | SIDE CARGO RACK, 48" (DRIVER SIDE) | 1 |

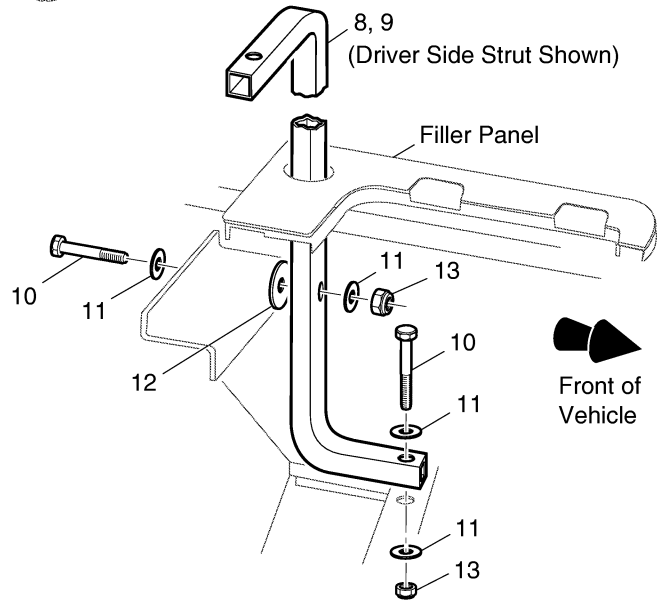
SUN TOP



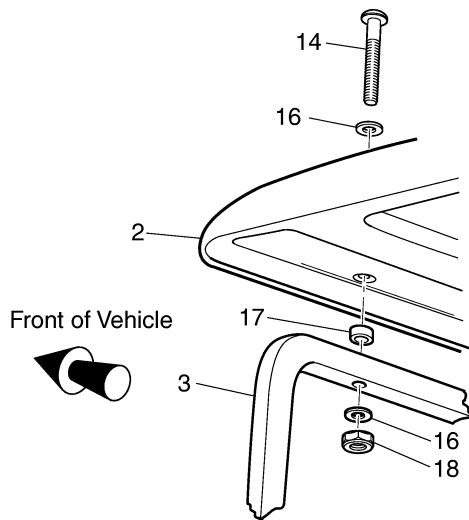
1 - Includes Items 2 - 19



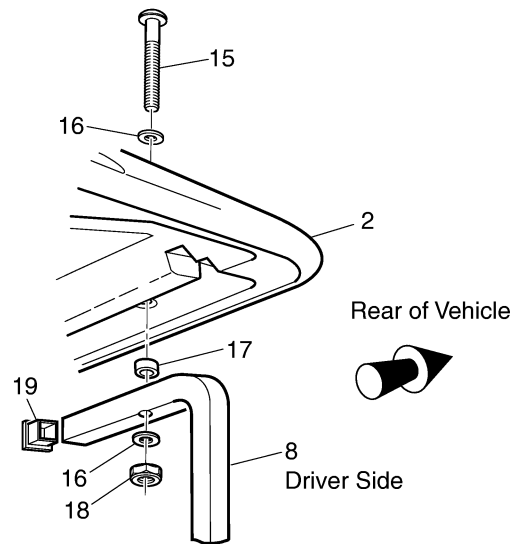
DETAIL A



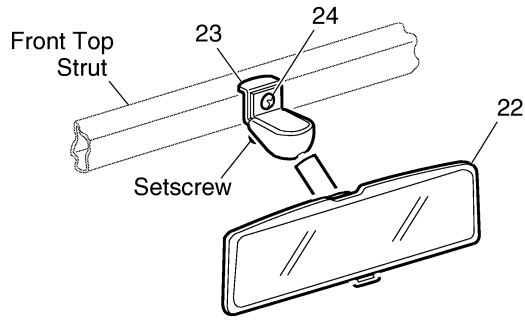
DETAIL B



**DETAIL C
(FRONT)**



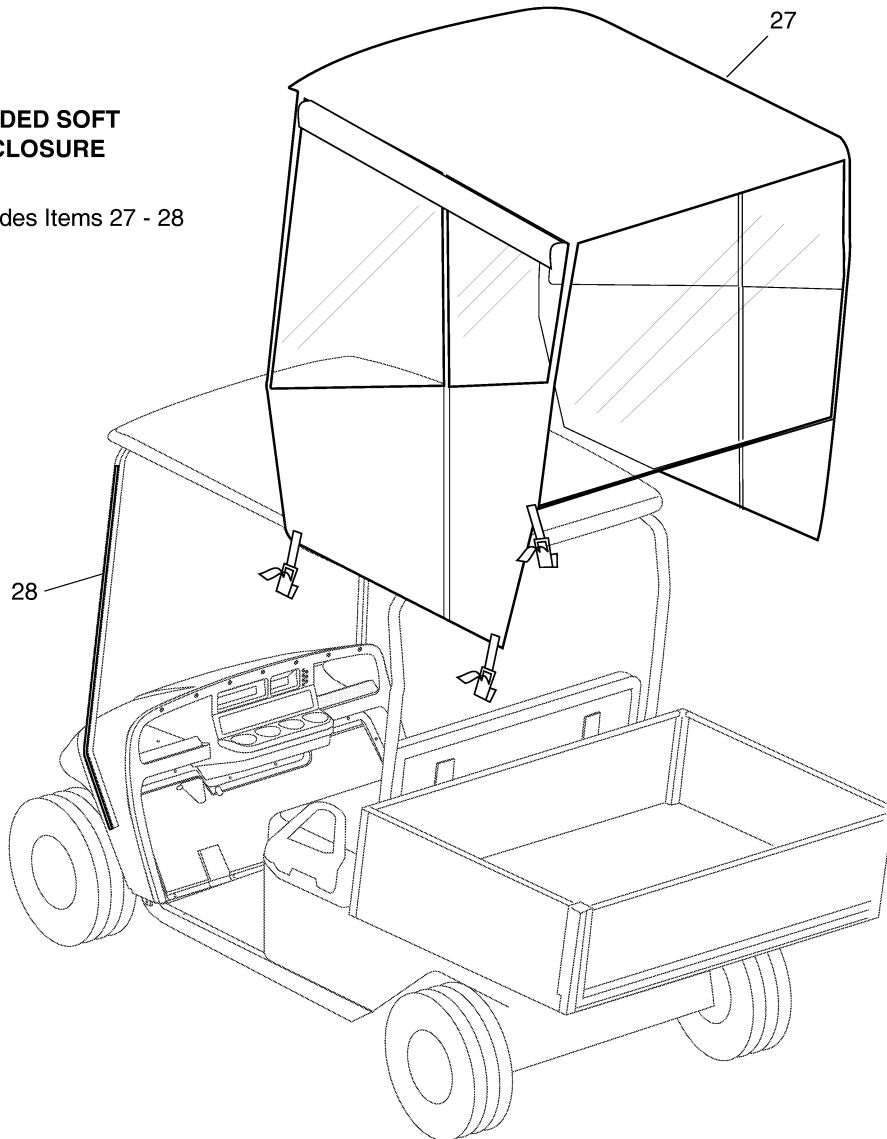
**DETAIL D
(REAR)**

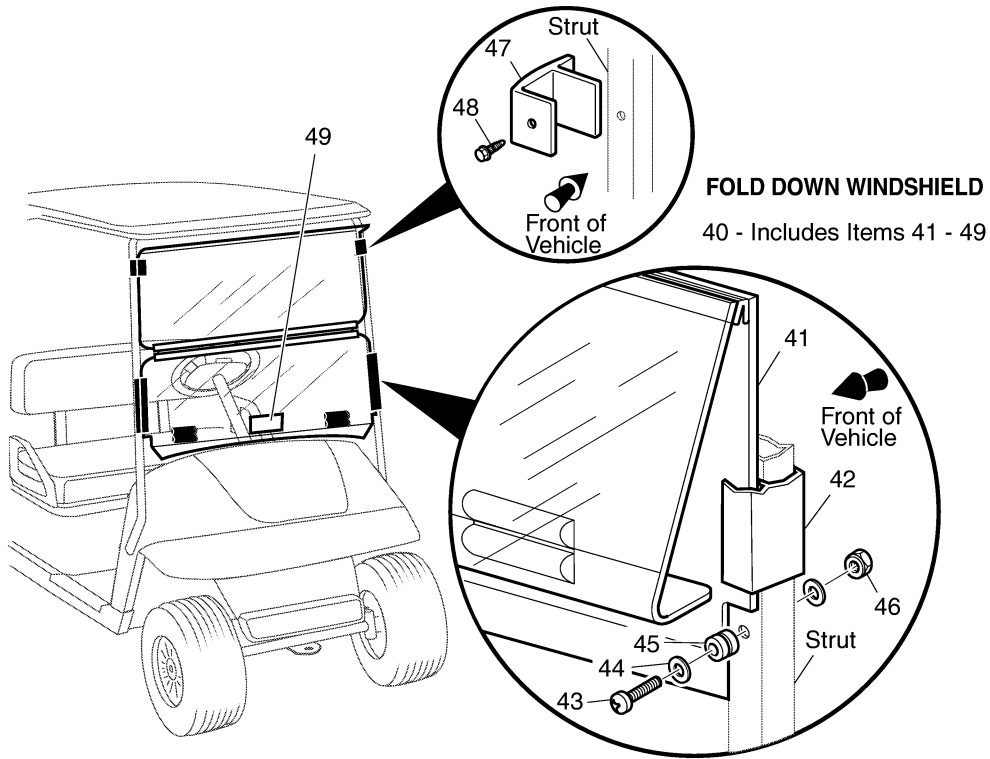
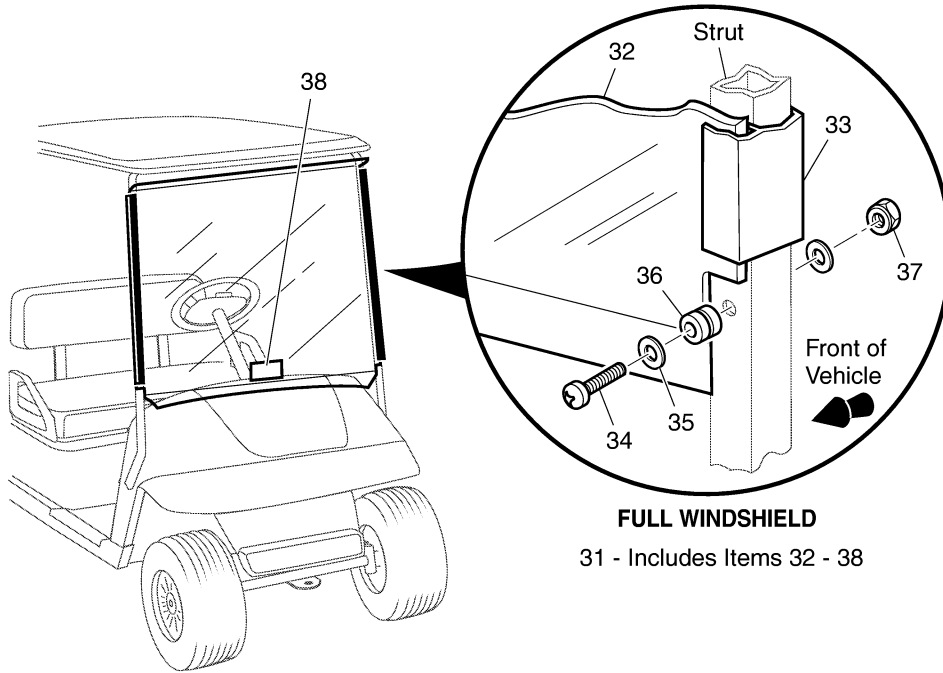


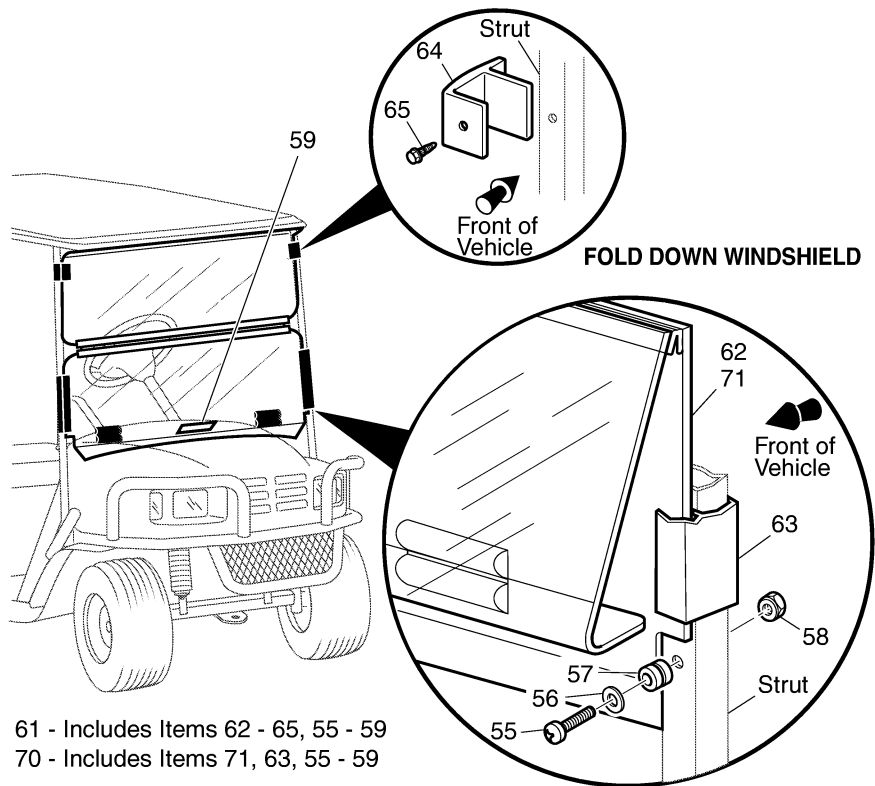
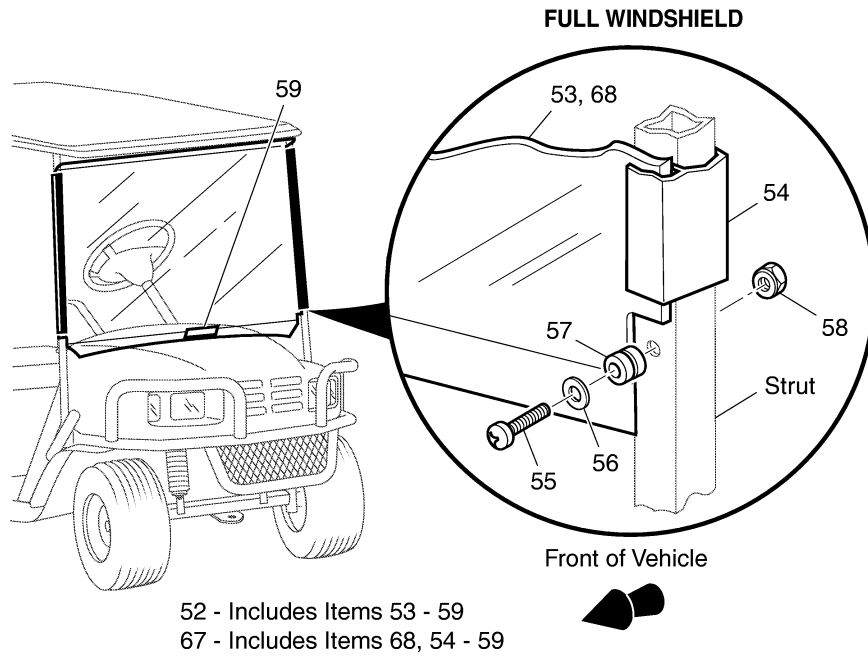
REAR VIEW MIRROR
21 - Includes Items 22 - 24

3-SIDED SOFT ENCLOSURE

26 - Includes Items 27 - 28







WEATHER PROTECTION

Gasoline Vehicle

When ordering parts, please specify the model and serial number of the product.

* Indicates a component that is not available as an individual part.

G** Indicates consult Customer Service Department for additional information.

| ITEM | PART NO. | 1 2 3 4 5 | DESCRIPTION | QTY. |
|------|-----------|-----------|---|------|
| 1 | 75350-G02 | | SUN TOP KIT (INCLUDES ITEMS 2 - 19) | 1 |
| 2 | 27069-G07 | | SUN TOP | 1 |
| 3 | 75045-G01 | | FRONT STRUT | 1 |
| 4 | 01035-G01 | | BOLT, 5/16 - 18 X 2 1/4" LG | 4 |
| 5 | 00905-G8 | | LOCK WASHER, 5/16" | 4 |
| 6 | 75048-G01 | | SPACER, 1/2" | 2 |
| 7 | 00570-G2 | | WASHER, 5/16" | 6 |
| 8 | 75343-G01 | | REAR STRUT (PASSENGER SIDE) | 1 |
| 9 | 75343-G02 | | REAR STRUT (DRIVER SIDE) | 1 |
| 10 | 00439-G6 | | BOLT, 5/16 - 18 X 1 3/4" LG | 4 |
| 11 | 00571-G2 | | WASHER, 5/16" | 8 |
| 12 | 15121-G1 | | WASHER, 3/8" | 2 |
| 13 | 11098-G6 | | LOCK NUT, 5/16 - 18 | 4 |
| 14 | 00753-G5 | | SCREW, 1/4 - 20 X 2" LG (STAINLESS STEEL) | 2 |
| 15 | 00753-G6 | | SCREW, 1/4 - 20 X 2 1/4" LG (STAINLESS STEEL) | 2 |
| 16 | 00559-G7 | | WASHER, 1/4" | 8 |
| 17 | 75051-G01 | | PLASTIC SPACER | 4 |
| 18 | 00891-G2 | | LOCK NUT, 1/4 - 20 | 4 |
| 19 | 19853-G1 | | END CAP, 1" | 2 |
| 20 | | | | |
| 21 | 19528-G2 | | REAR VIEW MIRROR KIT (INCLUDES ITEMS 22 - 24) | 1 |
| 22 | 19496-G1 | | REAR VIEW MIRROR | 1 |
| 23 | 19502-G2 | | SUPPORT BRACKET | 1 |
| 24 | 19527-G1 | | SCREW, #8 - 32 X 5/8" LG (STAINLESS STEEL) | 1 |
| 25 | | | | |
| 26 | 75367-G0* | | 3-SIDED SOFT ENCLOSURE KIT (INCLUDES ITEMS 27 - 28) | 1 |
| 27 | * | | ENCLOSURE | 1 |
| 28 | * | | VELCRO | AR |
| 29 | | | | |
| 30 | | | | |

Replacement parts for the windshield may be obtained from Eagle Parts, Inc. 1411 Marvin Griffin Rd. Augusta, GA 30906. Telephone (706) 790-6687 or FAX (706) 790-6066

* Indicates a component that is not available as an individual part.

G** Indicates consult Customer Service Department for additional information.

| ITEM | PART NO. | 1 2 3 4 5 | DESCRIPTION | QTY. |
|------|-----------|-----------|--|------|
| 31 | 75524-G01 | | WINDSHIELD KIT (FULL) (1200 / 2200) (INCLUDES ITEMS 32 - 38)..... | 1 |
| 32 | * | | WINDSHIELD (FULL)..... | 1 |
| 33 | EGWHC12 | | SASH, 26" LG..... | 2 |
| 34 | EGWHS12 | | SCREW, 1/4 - 20 X 1 3/4" LG (STAINLESS STEEL) | 2 |
| 35 | EGWHW12 | | WASHER, 1/4" (STAINLESS STEEL) | 4 |
| 36 | EGWHG13 | | RUBBER GROMMET..... | 2 |
| 37 | EGWHN12 | | LOCK NUT, 1/4 - 20 (STAINLESS STEEL) | 2 |
| 38 | EGWHL-14 | | LABEL (SAFETY)..... | 1 |
| 39 | | | | |
| 40 | 75525-G01 | | WINDSHIELD KIT (FOLD DOWN) (1200 / 2200) (INCLUDES ITEMS 41 - 49).. | 1 |
| 41 | * | | WINDSHIELD (FOLD DOWN)..... | 1 |
| 42 | EGWHC10 | | SASH, 12" LG..... | 2 |
| 43 | EGWHS12 | | SCREW, 1/4 - 20 X 1 3/4" LG (STAINLESS STEEL) | 2 |
| 44 | EGWHW12 | | WASHER, 1/4" (STAINLESS STEEL) | 4 |
| 45 | EGWHG13 | | RUBBER GROMMET..... | 2 |
| 46 | EGWHN12 | | LOCK NUT, 1/4 - 20 (STAINLESS STEEL) | 2 |
| 47 | 137-010 | | TOP GRIP, 3/4" X 2" | 2 |
| 48 | 136-008 | | GRIP FASTENER..... | 2 |
| 49 | EGWHL-14 | | LABEL (SAFETY)..... | 1 |
| 50 | | | | |
| 51 | | | | |
| 52 | 71966-G01 | | WINDSHIELD KIT (FULL) (LX / SE) (INCLUDES ITEMS 53 - 59) (REQUIRES SUN TOP KIT) | 1 |
| 53 | * | | WINDSHIELD (FULL) (LEXAN)..... | 1 |
| 54 | EGWHC12 | | SASH, 26" LG..... | 2 |
| 55 | EGWHS12 | | SCREW, 1/4 - 20 X 1 3/4" LG (STAINLESS STEEL) | 2 |
| 56 | EGWHW12 | | WASHER, 1/4" (STAINLESS STEEL) | 4 |
| 57 | EGWHG13 | | RUBBER GROMMET..... | 2 |
| 58 | EGWHN12 | | LOCK NUT, 1/4 - 20 (STAINLESS STEEL) | 2 |
| 59 | EGWHL14 | | SAFETY LABEL | 1 |

WEATHER PROTECTION

Gasoline Vehicle

Replacement parts for the windshield may be obtained from Eagle Parts, Inc. 1411 Marvin Griffin Rd. Augusta, GA 30906. Telephone (706) 790-6687 or FAX (706) 790-6066

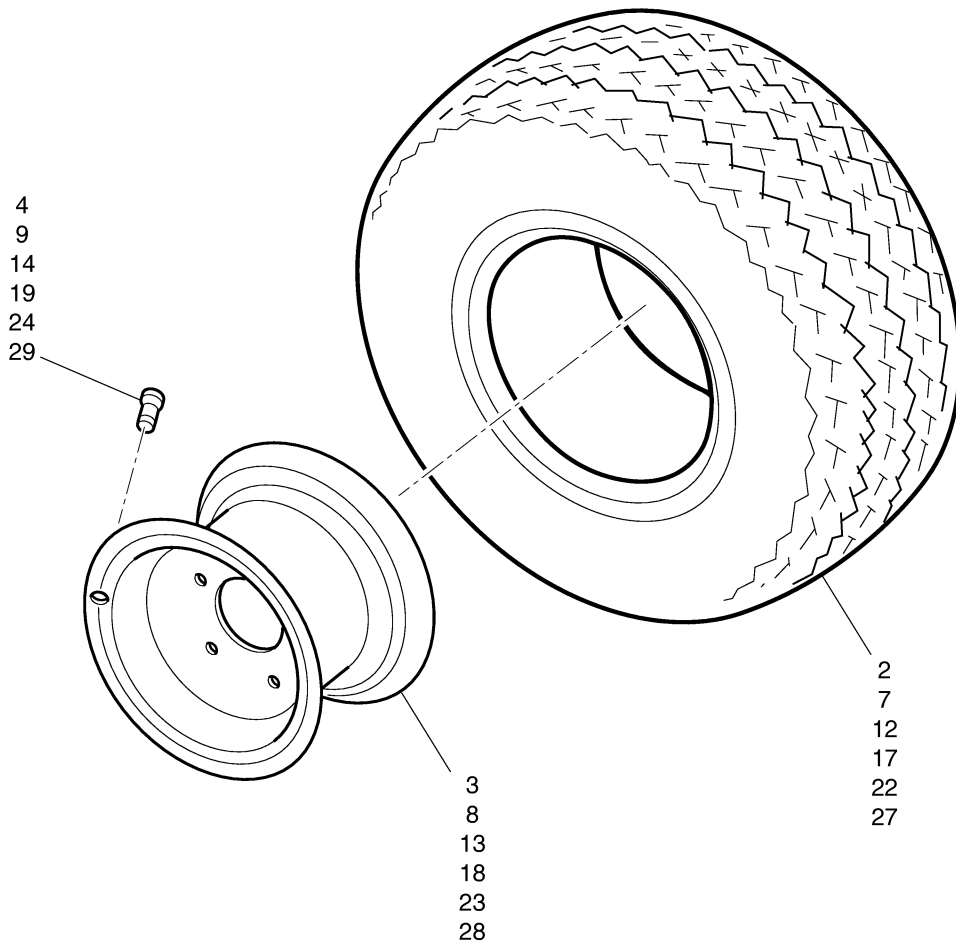
* Indicates a component that is not available as an individual part.

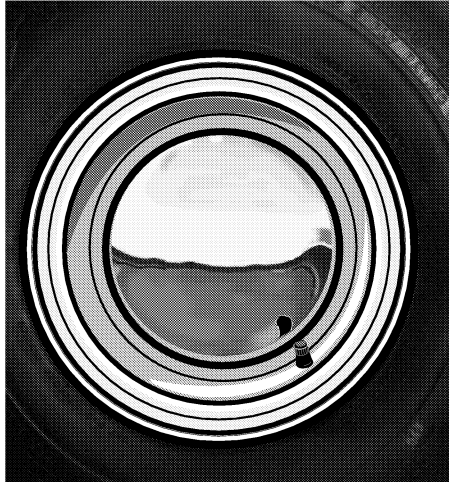
G** Indicates consult Customer Service Department for additional information.

| ITEM | PART NO. | 1 | 2 | 3 | 4 | 5 | DESCRIPTION | QTY. |
|------|-----------|---|---|---|---|---|---|------|
| 60 | | | | | | | | |
| 61 | 71966-G02 | | | | | | WINDSHIELD KIT (FOLD DOWN) (LX / SE) (INCLUDES ITEMS 62 - 65, 55 - 59) (REQUIRES SUN TOP KIT) | 1 |
| 62 | * | | | | | | WINDSHIELD (FOLD DOWN) (LEXAN) | 1 |
| 63 | EGWHC10 | | | | | | SASH, 12" LG..... | 2 |
| 64 | 137-010 | | | | | | TOP GRIP, 3/4" X 2" | 2 |
| 65 | 136-008 | | | | | | GRIP FASTENER..... | 2 |
| 66 | | | | | | | | |
| 67 | 71966-G03 | | | | | | WINDSHIELD KIT (FULL) (LX / SE) (INCLUDES ITEMS 68, 54 - 59) (REQUIRES SUN TOP KIT) | 1 |
| 68 | * | | | | | | WINDSHIELD (FULL) (ACRYLIC)..... | 1 |
| 69 | | | | | | | | |
| 70 | 71966-G04 | | | | | | WINDSHIELD KIT (FOLD DOWN) (LX / SE) (INCLUDES ITEMS 71, 63, 55 - 59) (REQUIRES SUN TOP KIT) | 1 |
| 71 | * | | | | | | WINDSHIELD (FOLD DOWN) (ACRYLIC)..... | 1 |

- 1 - Includes Items 2 - 4
- 6 - Includes Items 7 - 9
- 11 - Includes Items 12 - 14
- 16 - Includes Items 17 - 19
- 21 - Includes Items 22 - 24
- 26 - Includes Items 27 - 29

Tire design may vary by Part Number





6" CHROME HUBCAP
33



8" CHROME HUBCAP
32



GOLD / SILVER SPOKE HUBCAP
34, 35

WHEELS AND TIRES

Gasoline Vehicle

When ordering parts, please specify the model and serial number of the product.
 If a component that is not available as an individual part,
 consult Customer Service Department for additional information.

| PART NO. | 1 2 3 4 5 | DESCRIPTION | QTY. |
|----------|-----------|---|------|
| 7772-G03 | | WHEEL AND TIRE ASSEMBLY, TURF SAVER (INCLUDES ITEMS 2 - 4) | A/R |
| 7772-G07 | | CARLISLE TIRE (TURF SAVER 18 X 8.5 - 8, 4 PLY RATED) | 1 |
| 5169-G1 | | WHEEL RIM, 4 LUG | 1 |
| 1657-G1 | | VALVE STEM | 1 |
| 7772-G09 | | WHEEL AND TIRE ASSEMBLY, LINKS 1 (INCLUDES ITEMS 7 - 9) | A/R |
| 7772-G10 | | CARLISLE TIRE (LINKS 1 18 X 8.5 - 8, 4 PLY RATED) | 1 |
| 5169-G1 | | WHEEL RIM, 4 LUG | 1 |
| 1657-G1 | | VALVE STEM | 1 |
| 7772-G01 | | WHEEL AND TIRE ASSEMBLY, LINKS (INCLUDES ITEMS 12 - 14) | A/R |
| 7772-G05 | | CARLISLE TIRE (LINKS 18 X 8.5 - 8, 4 PLY RATED) | 1 |
| 5169-G1 | | WHEEL RIM, 4 LUG | 1 |
| 1657-G1 | | VALVE STEM | 1 |
| 7775-G01 | | WHEEL AND TIRE ASSEMBLY, USA TRAIL (INCLUDES ITEMS 17 - 19) | A/R |
| 7775-G02 | | CARLISLE TIRE (USA TRAIL 18.0 X 8.50 - 8, LOAD RANGE C) | 1 |
| 5169-G1 | | WHEEL RIM, 4 LUG | 1 |
| 1657-G1 | | VALVE STEM | 1 |
| 7784-G01 | | WHEEL AND TIRE ASSEMBLY, USA TRAIL (INCL ITEMS 22 - 24) | A/R |
| 7784-G03 | | CARLISLE TIRE (USA TRAIL 5.70 - 8, LOAD RANGE C) | 1 |
| 0732-G1 | | WHEEL RIM, 4 LUG | 1 |
| 1657-G1 | | VALVE STEM | 1 |
| 8374-G01 | | WHEEL AND TIRE ASSEMBLY, TURF SAVER (INCL ITEMS 27 - 29) | A/R |
| 1526-G2 | | CARLISLE TIRE (TURF SAVER 9.50 X 8, 6 PLY RATED) | 1 |
| 0732-G1 | | WHEEL RIM, 4 LUG | 1 |
| 1657-G1 | | VALVE STEM | 1 |

When ordering parts, please specify the model and serial number of the product.
 * Indicates a component that is not available as an individual part.
 G** Indicates consult Customer Service Department for additional information.

| ITEM | PART NO. | 1 2 3 4 5 DESCRIPTION | QTY. |
|------|----------|-------------------------------------|------|
| 31 | | | |
| 32 | 14913-G* | 8" CHROME HUBCAP (OPTIONAL) | A/R |
| 33 | 16042-G* | 6" CHROME HUBCAP (OPTIONAL) | A/R |
| 34 | 19241-G* | GOLD SPOKE HUBCAP (OPTIONAL) | A/R |
| 35 | 19241-G* | SILVER SPOKE HUBCAP (OPTIONAL)..... | A/R |

SPECIALTY PRODUCTS

SPECIALTY PRODUCTS

SPECIALTY PRODUCTS

TOOLS

PART NO.

| | |
|---|-----------|
| STANCE SPARK PLUG WIRE SET | 26733-G02 |
| PULLER (2 PRONG)..... | 19779-G1 |
| PULLER (3 PRONG - 4 CYCLE)..... | 19779-G2 |
| PULLER..... | 27111-G01 |
| KEY TOOL | 27851-G01 |
| INDICATOR..... | 16489-G2 |
| MULTI-METER..... | 27481-G01 |
| TOOL | 27765-G01 |
| WRENCH (AXLE/HUB REMOVAL) | 15947-G1 |
| WRENCH (AXLE REMOVAL ONLY) | 18753-G1 |
| FLAT CUTTER KIT..... | 72516-G01 |
| STONE CYLINDER HONE - 240 GRIT | 72517-G01 |
| STONE HONING OIL - 1 QUART (950 ML) | 72518-G01 |
| STONE CLEANING BRUSH | 72519-G01 |
| STONE INSTALLER | 72521-G01 |
| STONE HOLDER - CUP TYPE | 72522-G01 |
| STONE COMPOUND - 280/320 GRIT..... | 72523-G01 |
| STONE POSITION TESTER..... | 72524-G01 |
| STONE GAUGE..... | 72525-G01 |
| STONE TESTER..... | 72526-G01 |

OIL

| | |
|---|-----------|
| ENGINE OIL, 5 GALLON (19 LITER) | 25730-G03 |
| ENGINE OIL, 12 QUART CASE | 25730-G04 |
| ENGINE OIL, 1 QUART BOTTLE (950 ML) | 25730-G06 |

| | |
|--|-----------|
| BRUSH ON PAINT - HUNTER GREEN..... | 28432-G02 |
| BRUSH ON PAINT - INDUSTRIAL YELLOW | 28432-G03 |
| BRUSH ON PAINT - WHITE..... | 28432-G05 |
| SPRAY AEROSOL - HUNTER GREEN..... | 28140-G09 |
| SPRAY AEROSOL - INDUSTRIAL YELLOW | 28140-G14 |
| SPRAY - WHITE | 28140-G03 |

SPECIALTY PRODUCTS

| PERFORMANCE PRODUCTS | PART NO. |
|--|-----------------|
| FORMULA 40 VINYL-COAT® - WHITE | 28166-G01 |
| PLEXUS® CLEANER, 7 OUNCE (210 ML) (FOR WINDSHIELDS) | 28433-G01 |
| PLEXUS® CLEANER, 13 OUNCE (380 ML) (FOR WINDSHIELDS) | 28433-G02 |
| BATTERY PROTECTOR, 14 OUNCE (410 ML) SPRAY | 75500-G01 |
| CARBURETOR & CHOKE CLEANER, 15 OUNCE (440 ML) SPRAY | 75501-G01 |
| WHITE LITHIUM GREASE, 14 OUNCE (410 ML) SPRAY | 75502-G01 |
| PENETRANT/LUBRICANT, 15 OUNCE (440 ML) SPRAY | 75503-G01 |
| MULTI-PURPOSE CLEANER & DEGREASER, 14 OUNCE (410 ML) SPRAY | 75504-G01 |
| MULTI-PURPOSE HAND CLEANER, 32 OUNCE (950 ML) LIQUID | 75505-G01 |
| BATTERY CLEANER, 32 OUNCE (950 ML) WITH TRIGGER SPRAYER | 75506-G01 |
| BIO-DEGRADABLE CLEANER, 32 OUNCE (950 ML) WITH TRIGGER SPRAYER | 75507-G01 |
| MULTI-PURPOSE VALUE PACK | 75508-G01 |
| • BATTERY PROTECTOR, 4 OUNCE (120 ML) SPRAY | |
| • PENETRANT/LUBRICANT, 4 OUNCE (120 ML) SPRAY | |
| • WHITE LITHIUM GREASE, 4 OUNCE (120 ML) SPRAY | |
| • CARBURETOR & CHOKE CLEANER, 4 OUNCE (120 ML) SPRAY | |

SPECIALTY PRODUCTS

ACCESSORIES

ACCESSORIES LISTING

S AND TIRES

S AND TIRES

BED

RICAL SYSTEM

ER PROTECTION

BED

ER PROTECTION

ER PROTECTION

ER PROTECTION

RICAL SYSTEM

S AND TIRES

S AND TIRES

ER PROTECTION

ER PROTECTION

ER PROTECTION

RICAL SYSTEM

RICAL SYSTEM

RICAL SYSTEM



Textron Golf, Turf & Specialty Products.
P.O. Box 388 Augusta, Georgia 30903-0388 USA
Inside USA Phone: 1-800-241-5855, FAX: 1-800-448-8124
Outside USA Phone: 010-1-706-798-4311, FAX: 010-1-706-771-4609

Copyrighted Material
This manual may not be reproduced in whole or
in part without the express permission of
Textron Golf, Turf & Specialty Products
Technical Communications Department