

PARTS LIST

1975 CLUB CAR®



AUGUSTA, GEORGIA 30907

WASHINGTON ROAD

P. O. BOX 4658

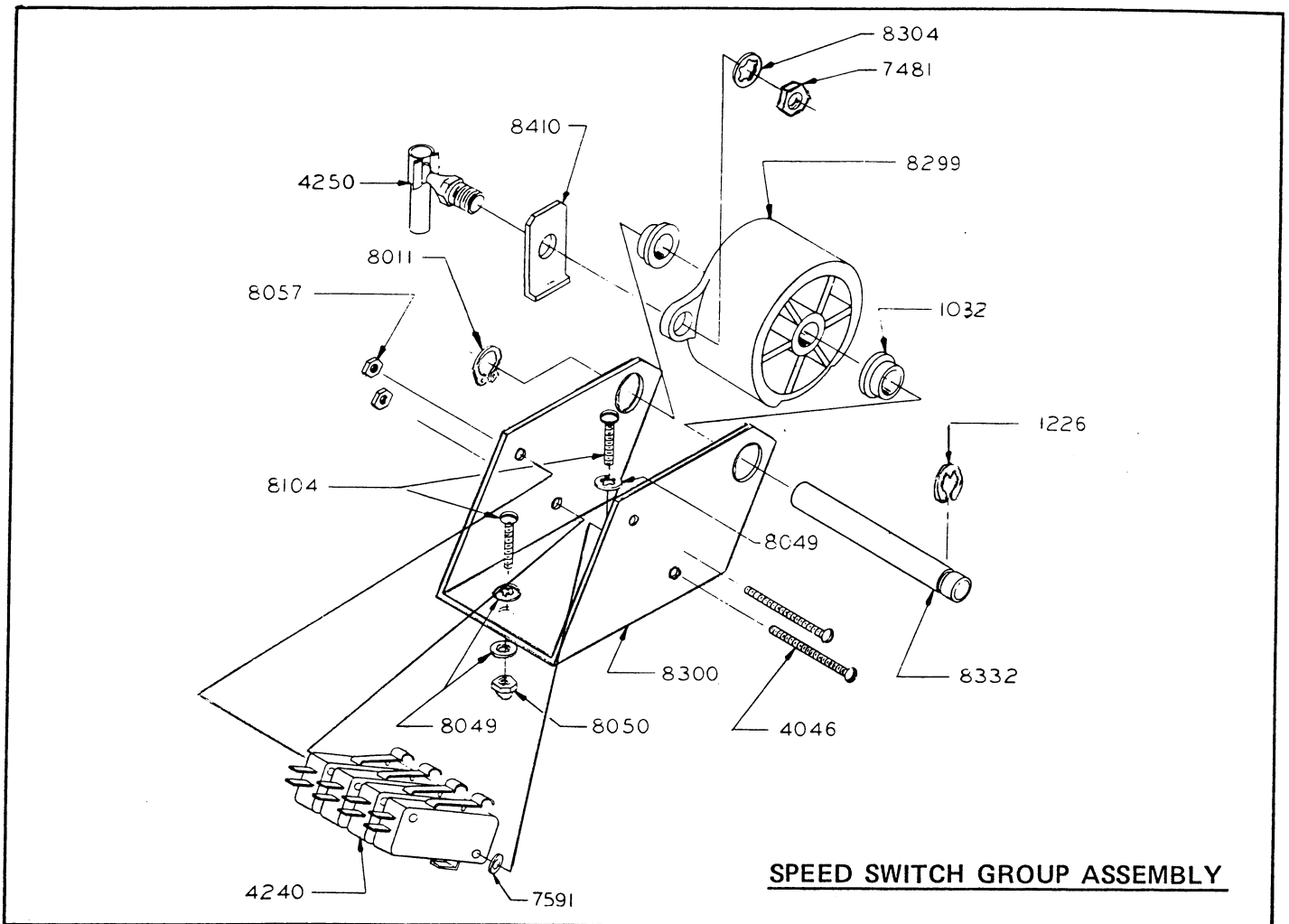
AREA CODE: 404

PHONE: 863-4658

MANUAL NUMBER 8239

INDEX

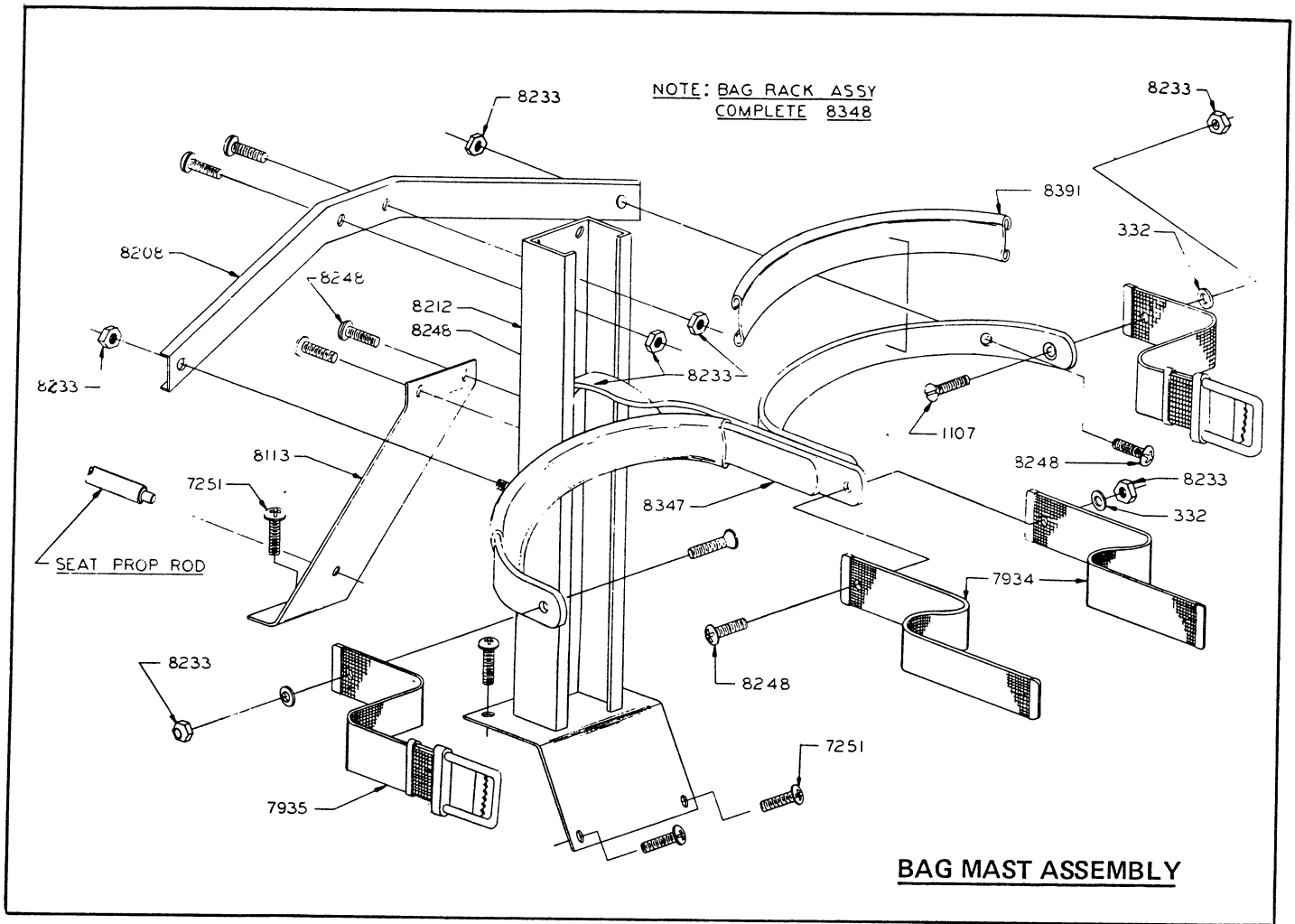
SPEED SWITCH ASSEMBLY	1
BAG MAST ASSEMBLY	2
BODY AND COWL GROUP	3
DRIVE UNIT ASSEMBLY	4
FORWARD – REVERSE SWITCH ASSEMBLY	5
FRONT SUSPENSION	6
HYDRAULIC BRAKE GROUP	7
MOTOR ASSEMBLY	8
PEDAL AND LINKAGE GROUP	9
POWER WIRING	10
REAR SUSPENSION	11
RESISTOR ASSEMBLY	12
SEAT GROUP	13
STEERING GROUP	14
SOLENOID ASSEMBLY	15
CANOPY ASSEMBLY	16



Part No.	Description	No. Req'd.
1032	Nylon Bushing	2
1226	"E" Ring	1
4046	#4-40 x 2 1/8 Rd. Hd. Mach. Screw	2
4240	Limit Switch	4
4250	Ball Joint (Accelerator)	1
7481	1/4-28 Hex Nut	1
8011	Retainer Ring	1
8049	#10 Internal Tooth Lockwasher	4
8050	#10-32 Acorn Nut	2
8057	#4-40 Hex Nut	2
8104	#10-32 x 3/4 Pan Head Mach. Screw	2
8299	Speed Switch Cam	1
8300	Speed Switch Case	1
8304	1/4" Internal Tooth Lockwasher	1
8332	Speed Switch Shaft	1
8410	Cam Stop	1
7591	#6 Flatwasher	2

INCLUDE PART NUMBER OF EACH PART ORDERED AND SERIAL NUMBER OF CAR

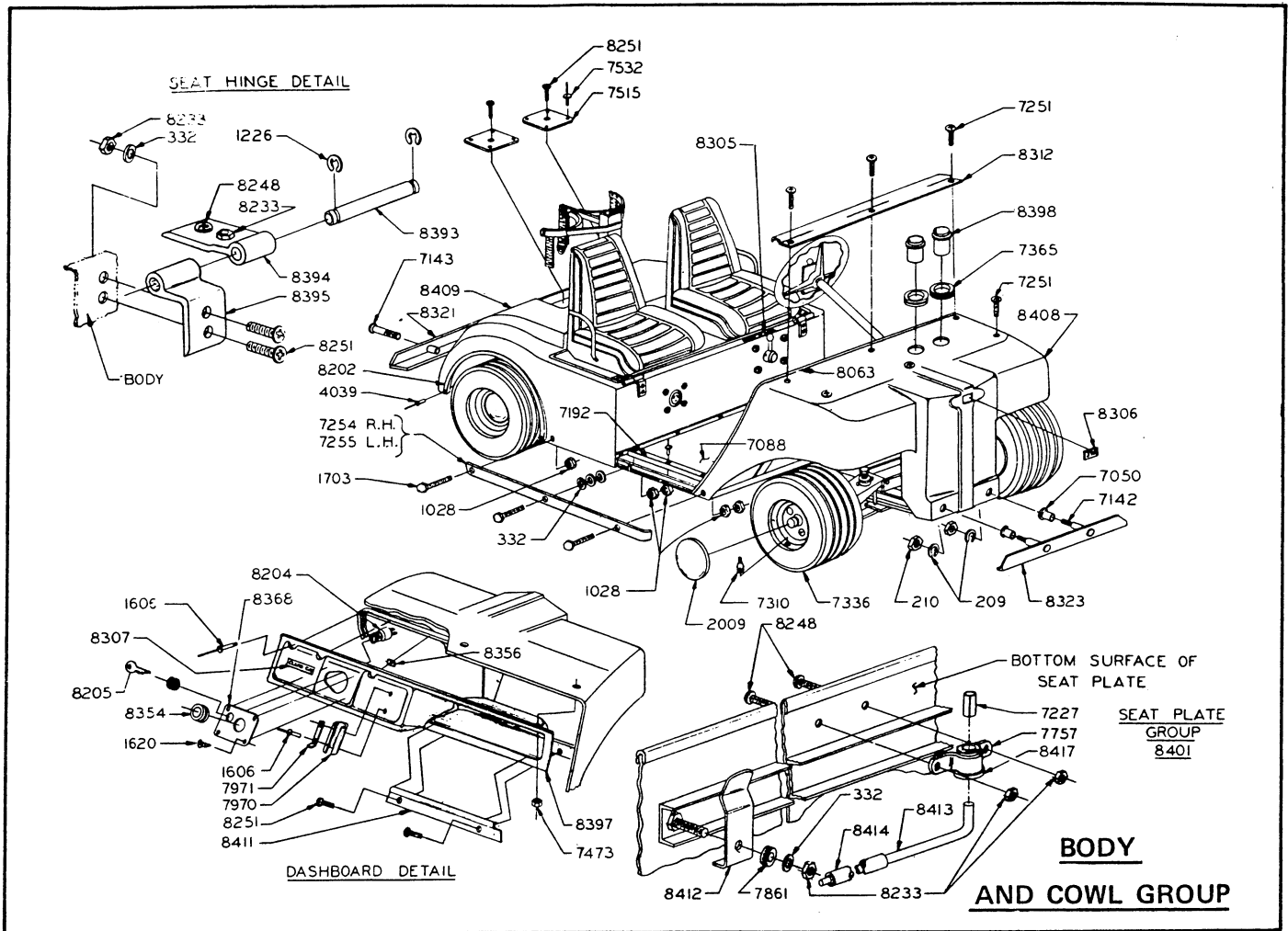
PLC 75



Part No.	Description	No. Req'd.
332	1/4" Flatwasher	5
1107	1/4" x 3/4" Flat Head Machine Screw	2
7251	5/16" x 1" Phillips Head Machine Screw	5
7934	Bag Strap	2
7935	Bag Strap with Buckle	2
8113	Bag Rack Support	1
8208	Main Bag Rest Support	1
8212	Mast and Plate Assembly	1
8233	1/4 - 20 Nylon Insert Lock Nut	10
8248	1/4 - 20 x 3/4 Phillips Head Mach. Screw (Steel)	8
8347	Bag Rack Hoop Assembly	1
8348	Bag Rack Assembly Complete	1
8391	Vinyl Trim	2

INCLUDE PART NUMBER OF EACH PART ORDERED AND SERIAL NUMBER OF CAR

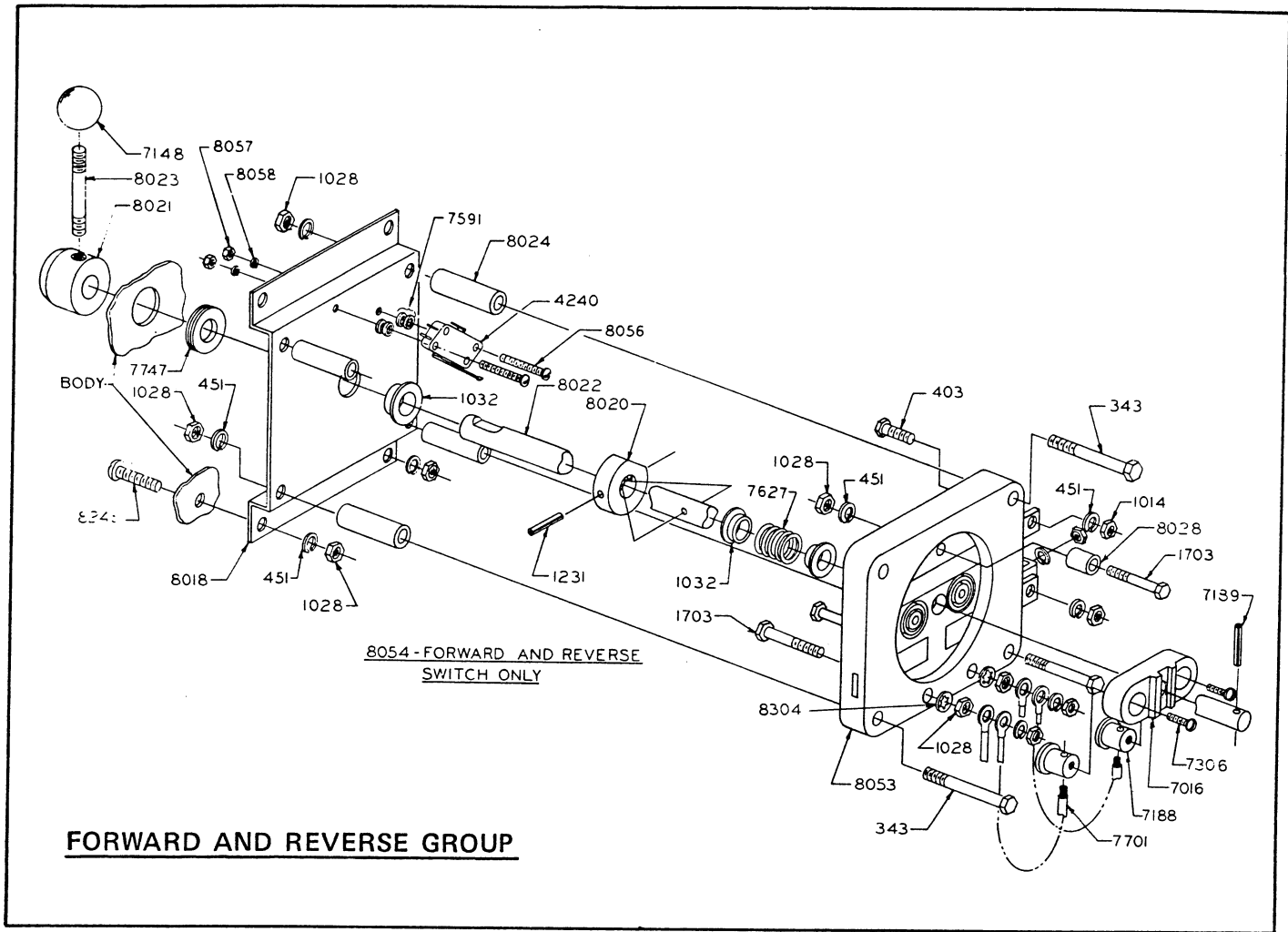
PLC 75



Part No.	Description	No. Req'd.	Part No.	Description	No. Req'd.
209	1/2" Lock Washer	4	7971	Ball Holder Bracket	1
210	1/2" Hex Nut	4	8063	Cowl Trim	1
332	1/4" Flat Washer	11	8202	Rear Fender Trim	2
1028	1/4" Hex Nut	10	8204	Key Switch	1
1108	1/4" Lock Nut	2	8205	Switch Key	2
1226	"E" Ring	4	8233	1/4-20 Nylon Insert Lock Nut	9
1606	3/16" x 1/2" Pop Rivet	11	8248	1/4-20 x 1/4 Phillips Head Mach. Screw (Steel)	4
1620	#10 x 3/4" Sheet Metal Screw	4	8251	1/4-20 x 1 Phillips Head Mach. Screw (Steel)	8
1703	1/4-20 x 1 1/2 Hex Head Bolt	6	8306	"JM" Name Plate	1
2009	Wheel Cover	4	8307	"Club Car" Name Plate	1
4039	5/32 x 3/8 Pop Rivet	4	8312	Kick Plate	1
7050	Rubber Bushing	4	8321	Rear Bumper Assembly	1
7088	Floor Mat	1	8323	Front Bumper Assembly	1
7142	1/2 x 4 Carriage Bolt	2	8354	Steering Column Grommet	1
7143	1/2 x 5 1/2 Carriage Bolt	2	8356	Dash Plate Clip	4
7192	Floor Mat Retainer	2	8368	Dash Cover Plate	1
7227	Bushing Insert	1	8393	Hinge Pin	2
7251	5/16 x 1 Phillips Head Machine Screw	6	8394	Seat Hinge	2
7254	Scuff Plate Right Hand	1	8395	Body Hinge	2
7255	Scuff Plate Left Hand	1	8397	Dash Board	1
7310	Valve Stem	4	8398	Drink Cup Holder	2
7365	Drink Cup Binding	2	8408	Cowl	1
7366	Tire & Wheel Assy Complete	4	8409	Body	1
7473	5/16 -18 Nylon Insert Lock Nut	8	8412	Prop Rod Retainer	1
7515	Bag Well Mat	2	8413	Prop Rod	1
7532	3/16 x 5/16 Pop Rivet	8	8414	Prop Rod Sleeve	1
7861	Grommet	1	8417	Swivel Bushing	1
7970	Ball Holder	1			

INCLUDE PART NUMBER OF EACH PART ORDERED AND SERIAL NUMBER OF CAR

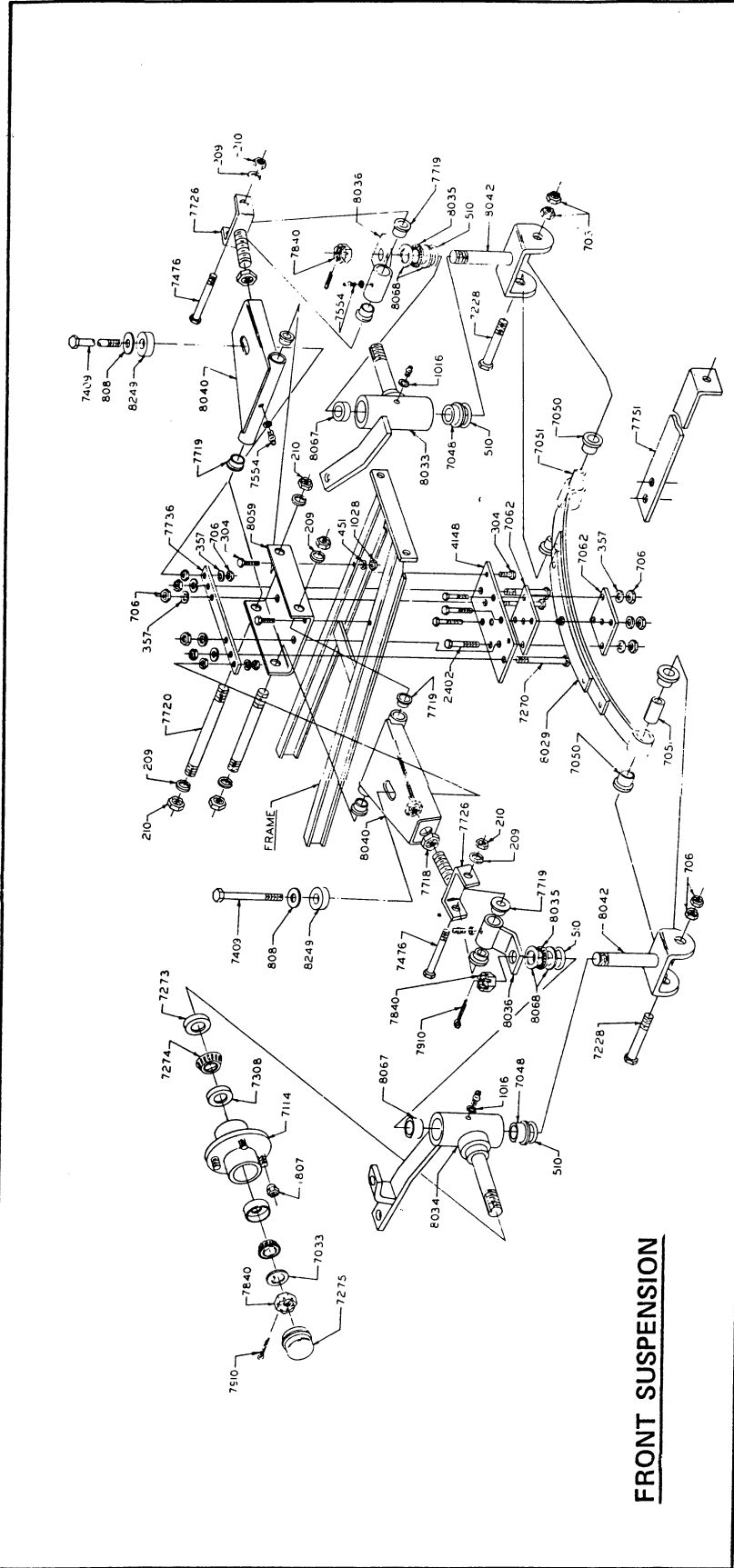
PLC 75



Part No.	Description	No. Req'd.	Part No.	Description	No. Req'd.
343	1/4" x 3 Hex Head Bolt	4	7701	Wire Harness	1
403	1/4" x 5/8" Hex Head Bolt	3	7747	Rubber Grommet	1
451	1/4" Lock Washer	14	8018	F & R Switch Mounting Bracket	1
1014	1/4" Hex Nut (Brass)	3	8020	F & R Switch Cam	1
1028	1/4" Hex Nut	13	8021	F & R Switch Hub	1
1032	Nylon Bushing	3	8022	F & R Switch Main Shaft	1
1231	1/8" x 1" Roll Pin	1	8023	F & R Switch Control Shaft	1
1703	1/4" x 1 1/2" Hex Head Bolt	3	8024	F & R Switch Stand-Off (Long)	4
4240	Micro-Switch	1	8028	F & R Switch Rotor Stop	1
7016	Switch Rotor	1	8053	F & R Switch Case	1
7148	Knob	1	8054	F & R Switch Assembly	1
7188	Rotor Contact	2	8056	#4-40 x 3/4" Round Head Screw	2
7189	3/16" x 1 1/4" Roll Pin	1	8057	#4-40 Hex Nut	2
7306	#10 x 1/2" Round Head Screw	2	8058	#4 Lock Washer	2
7591	#6 Flat Washer	4	8248	1/4" x 3/4" Phillips Truss Head Machine Screw (Steel)	4
7627	Spring	1	8304	1/4" Internal Tooth Lock Washer	2

INCLUDE PART NUMBER OF EACH PART ORDERED AND SERIAL NUMBER OF CAR

PLC 75

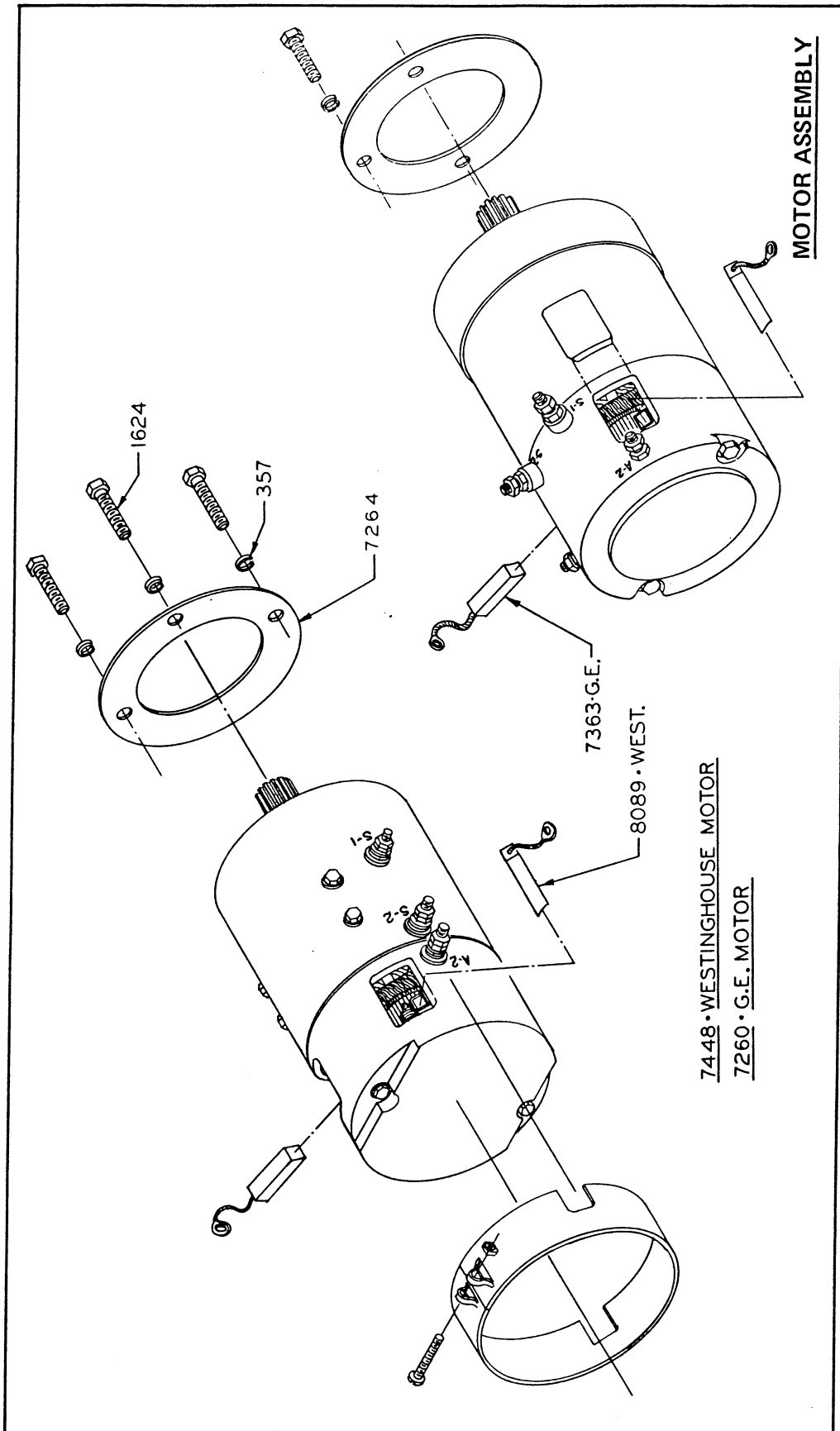


FRONT SUSPENSION

Part No.	Description	No. Req'd.	Part No.	Description	No. Req'd.
209	1/4" Lock Washer	6	7308	Bearing Race	4
210	1/2" Hex Nut	6	7409	3/8 - 16 x 4 Hex Head Bolt	2
304	1/4 x 1 Hex Head Bolt	4	7476	1/2 - 13 x 3/4 Hex Head Bolt	2
357	3/8" Lock Washer	10	7554	3/16" P.F. Grease Fitting	6
4#1	1/4" Lock Washer	4	7718	3/4" Hex Jam Nut	4
510	"O" Ring	4	7719	Bronze Bushing	8
706	3/8" Hex Nut	14	7720	Pivot Pin	2
808	3/8" Flat Washer	2	7726	Clevis Assembly	2
1016	3/16" Lock Washer	6	7736	Safety Bottom Bar	1
1028	1/4" Hex Nut	4	7751	Cowl Brace	1
1807	Lug Nut	4	7840	3/4" Slotted Nut	4
2402	3/8" x 2 1/4" Hex Head Bolt	8	7910	Cotter Pin	4
4148	Spring Mounting Plate	4	8029	Front Spring	1
7033	Tongue Washer	2	8033	L. H. Spindle Assembly	1
7048	Bronze Bushing	2	8034	R. H. Spindle Assembly	1
7050	Rubber Bushing	4	8035	Thrust Bearing	2
7051	Steel Bushing	2	8036	"A" to Spindle Connector Assembly	2
7062	Spring Retainer Plate	2	8040	"A" Frame Assembly	2
7114	Hub Assembly	2	8042	King Pin Assembly	2
7228	3/8 - 16 x 3 3/4" Hex Head Bolt-1	2	8059	"A" Frame Hanger	1
7270	3/8 - 16 x 4 1/2" Hex Head Bolt	2	8067	Bronze Bushing	2
7273	Oil Seal	2	8068	Thrust Bearing Race	4
7274	Wheel Bearing	4	8249	Rubber Spacer	2
7275	Hub Cap	2			

INCLUDE PART NUMBER OF EACH PART ORDERED AND SERIAL NUMBER OF CAR

PLC 75



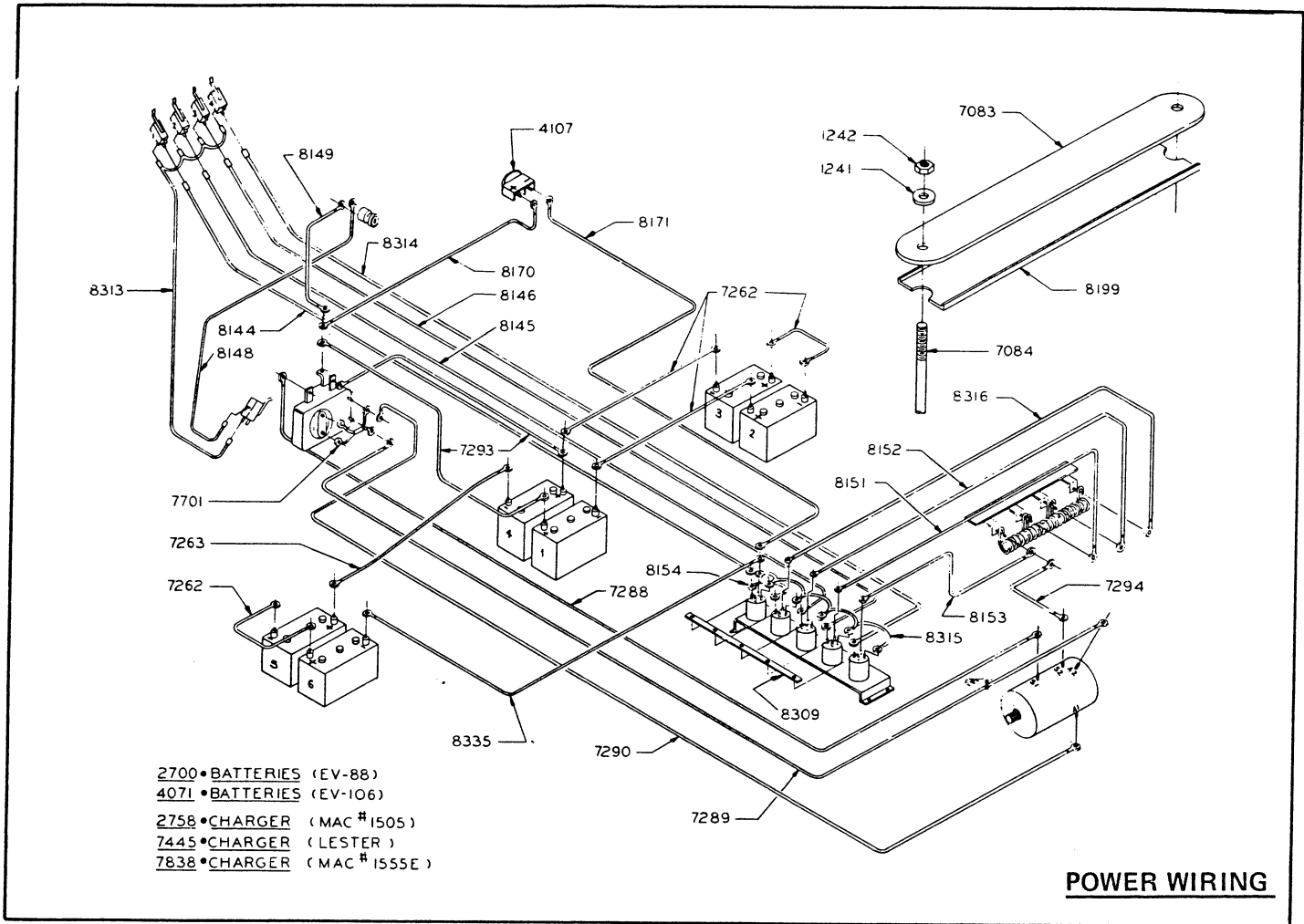
MOTOR ASSEMBLY

7448 • WESTINGHOUSE MOTOR
7260 • G.E. MOTOR

Part No.	Description	No. Req'd.
357	3/8" Lockwasher	3
1624	3/8" x 1/2" Hex Head Bolt	3
7260	G.E. Motor - Complete	1
7264	Gasket	1
7363	Brushes, 1-set (G.E. Motor)	1 set
7448	Westinghouse Motor - Complete	1
8089	Brushes, 1-set (Westinghouse Motor)	1 set

INCLUDE PART NUMBER OF EACH PART ORDERED AND SERIAL NUMBER OF CAR

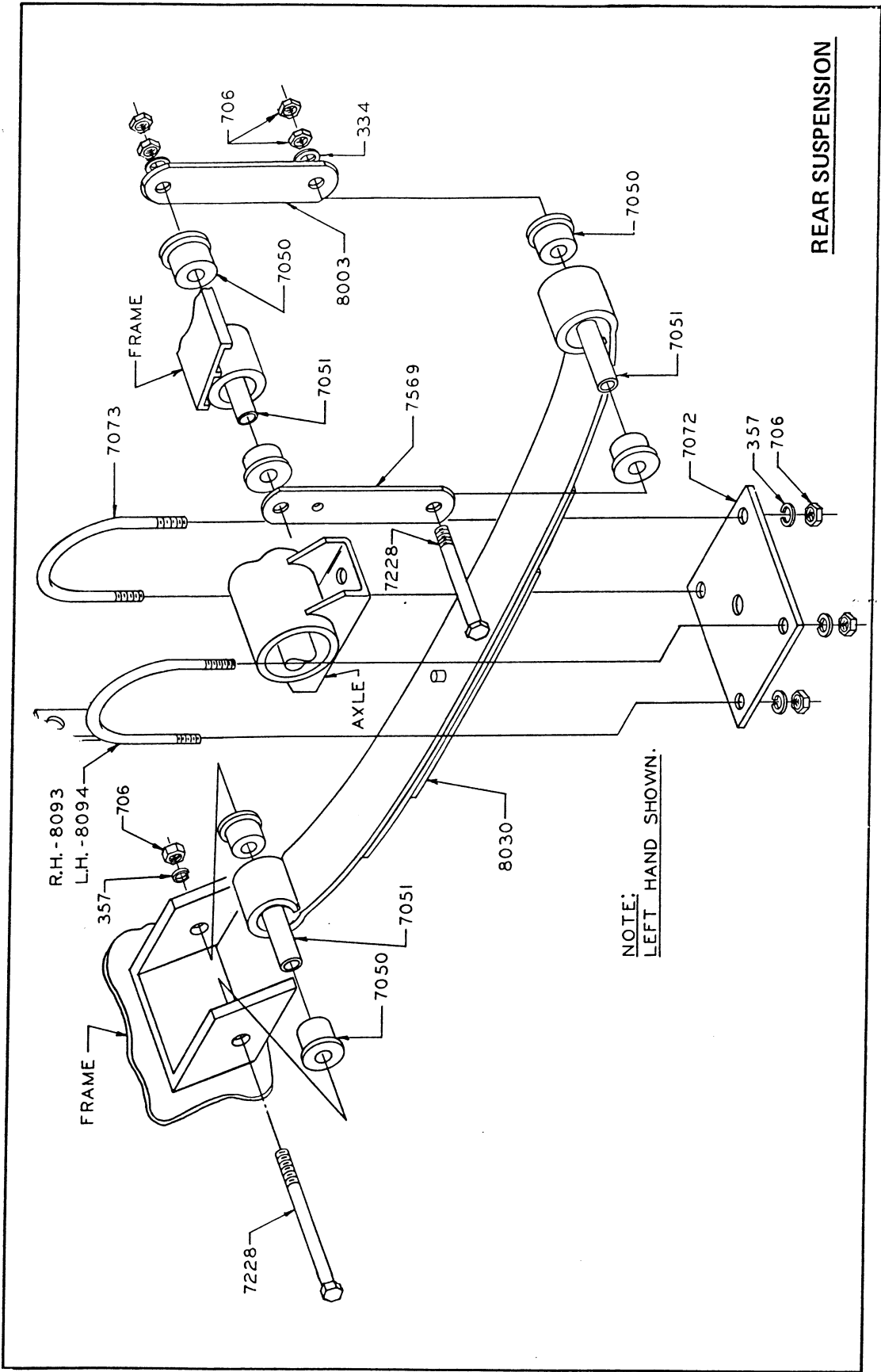
PLC 75



Part No.	Description	No. Req'd.	Part No.	Description	No. Req'd.
1241	5/16" Flat Washer	6	8144	#18 Red Wire Assy (76")	1
1242	5/16" Hex Nut	6	8145	#18 White Wire Assy (78")	1
2700	6 Volt Battery (EV-88)	6	8146	#18 Blue Assy (80")	1
2758	Charger (MAC 1505)	1	8148	#18 Orange Wire Assy (61")	1
4071	6 Volt Battery (EV-106)	6	8149	#18 Green Wire Assy (58")	1
4107	Charger Receptacle	1	8151	#10 White Wire Assy (13")	1
7083	Battery Hold-Down	3	8152	#10 Red Wire Assy (16")	1
7084	"J" Bolt	6	8153	#6 Black Wire Assy (7")	1
7262	#6 Battery Wire (Short)	4	8154	#18 Red Wire Assy (4")	1
7263	#6 Battery Wire (Long)	1	8170	#10 Red Wire Assy (15")	1
7288	#6 Red Wire Assy (39")	1	8171	#10 Yellow Wire Assy (23")	1
7289	#6 White Wire Assy (45")	1	8199	Battery Hold-Down Insulator	3
7290	#6 Black Wire Assy (46")	1	8309	Buss Bar (Solenoids)	1
7293	#6 Red Wire Assy (19")	2	8313	Wire Assembly Yellow	1
7294	#6 Black Wire Assy (19")	1	8314	Wire Assembly Black (80")	1
7445	Charger (Lester)	1	8315	#18 Yellow Assy (Solenoid)	1
7701	F & R Rotor Harness Assy	1	8316	Wire Assembly First Speed	1
7838	Charger (Mac 1555E)	1	8335	#6 Red Wire Assy (10")	1

INCLUDE PART NUMBER OF EACH PART ORDERED AND SERIAL NUMBER OF CAR

PLC 75



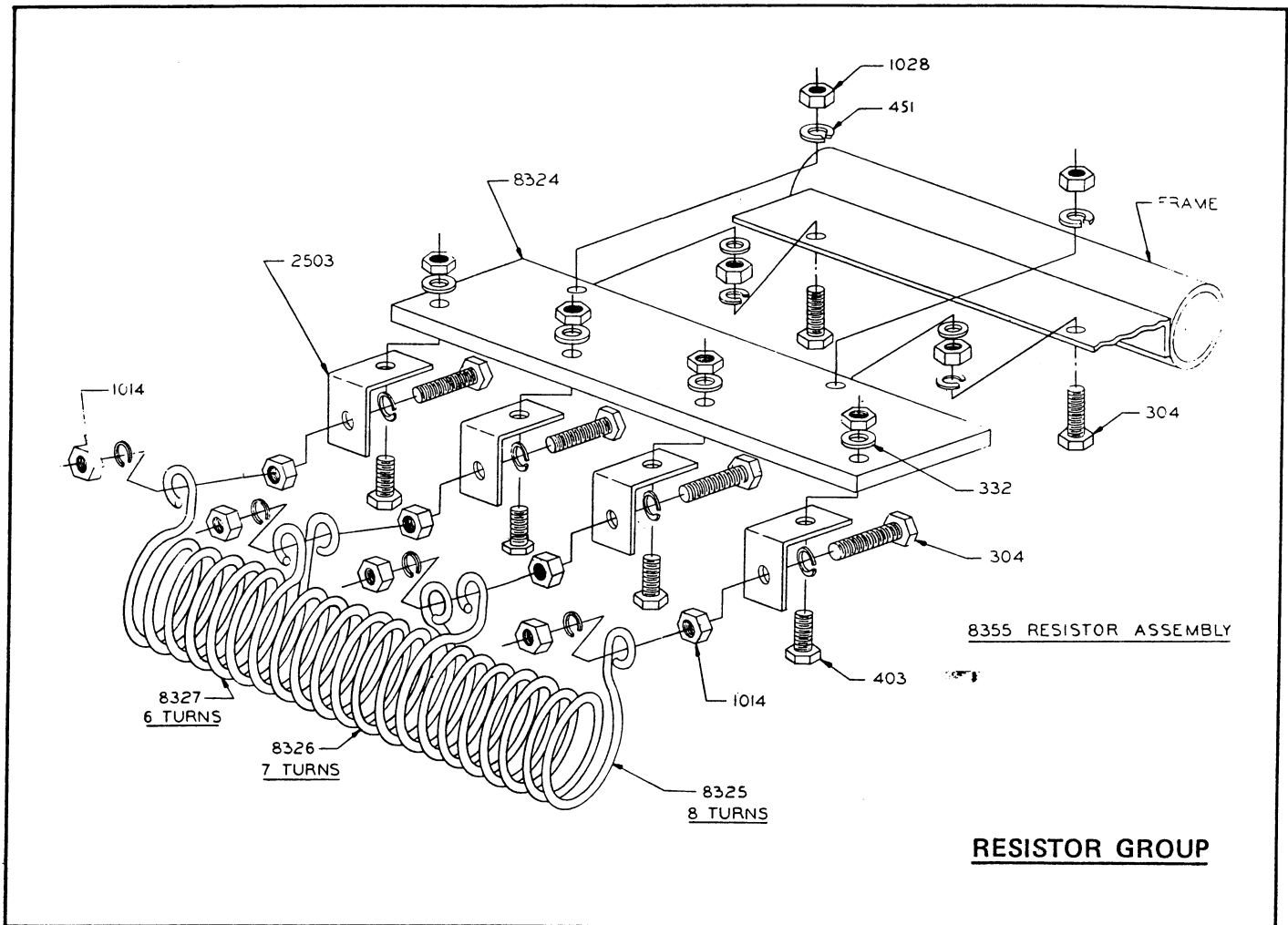
REAR SUSPENSION

NOTE:
LEFT HAND SHOWN.

Part No.	Description	No. Req'd.
334	3/8" Flat Washer	4
357	3/8" Lock Washer	10
706	3/8" Hex Nut	18
7050	Rubber Bushing	12
7051	Bushing (Sleeve)	6
7072	Rear Spring Retainer Plate	2
7073	"J" Bolt	2
7228	3/8 x 3 1/2 Hex Head Bolt	6
7569	Spring Shackles (Outer)	2
8003	Spring Shackles (Inner)	2
8030	Rear Spring	2
8093	Rear Cable Mt. Assy. R.H.	1
8094	Rear Cable Mt. Assy. L.H.	1

INCLUDE PART NUMBER OF EACH PART ORDERED AND SERIAL NUMBER OF CAR

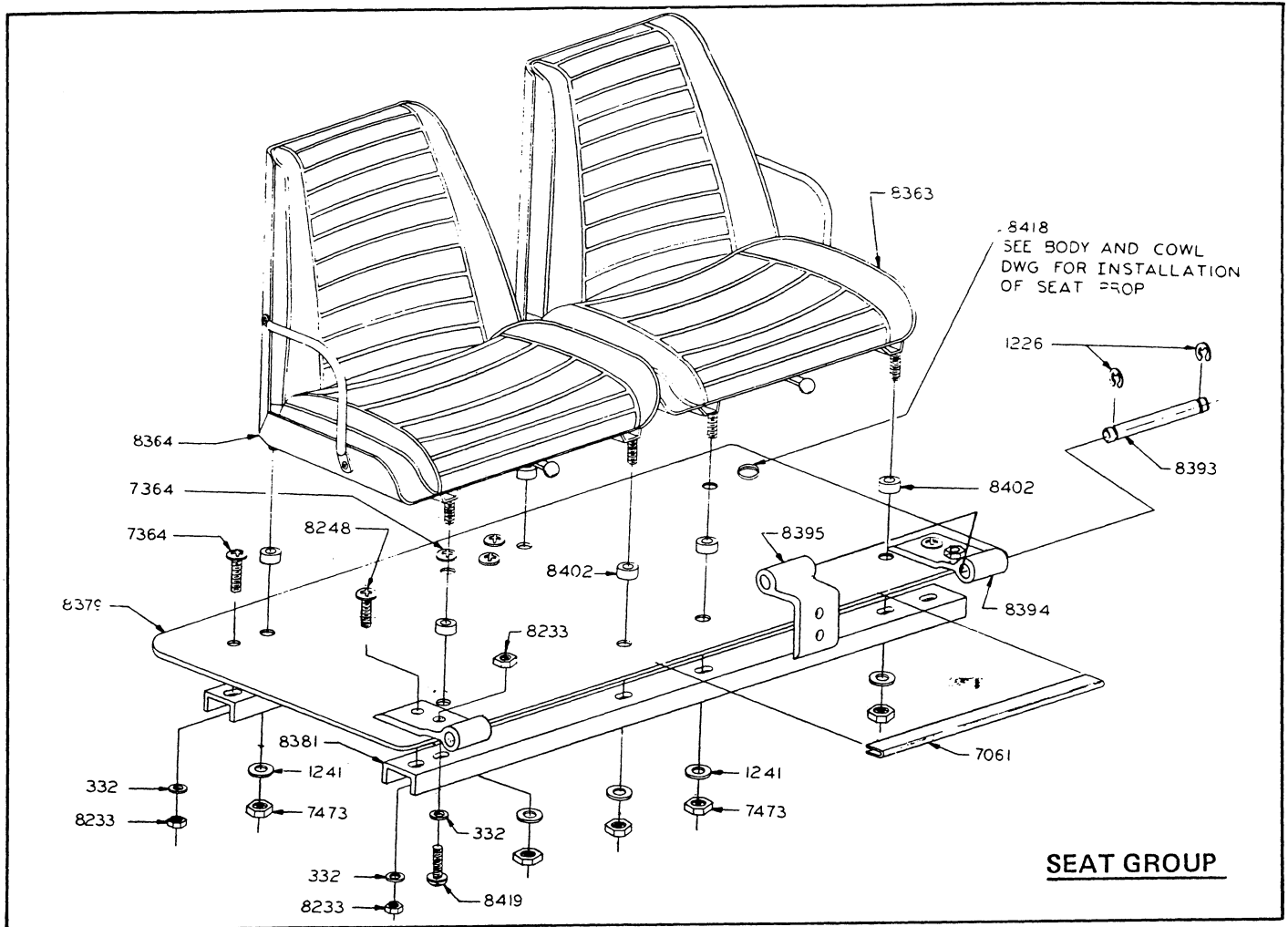
PLC 75



Part No.	Description	No. Req'd.
304	1/4" x 1 Hex Head Bolt	6
332	1/4" Flat Washer	6
403	1/2" x 5/8" Hex Head Bolt	4
451	1/4" Lock Washer	12
1014	1/4" Hex Nut (Brass)	8
1028	1/4" Hex Nut	8
2503	Bracket	4
8324	Board	1
8325	Resistor Coil No. 1 - First Speed	1
8326	Resistor Coil No. 2 - Second Speed	1
8327	Resistor Coil No. 3 - Third Speed	1
8355	Resistor Assembly	1

INCLUDE PART NUMBER OF EACH PART ORDERED AND SERIAL NUMBER OF CAR

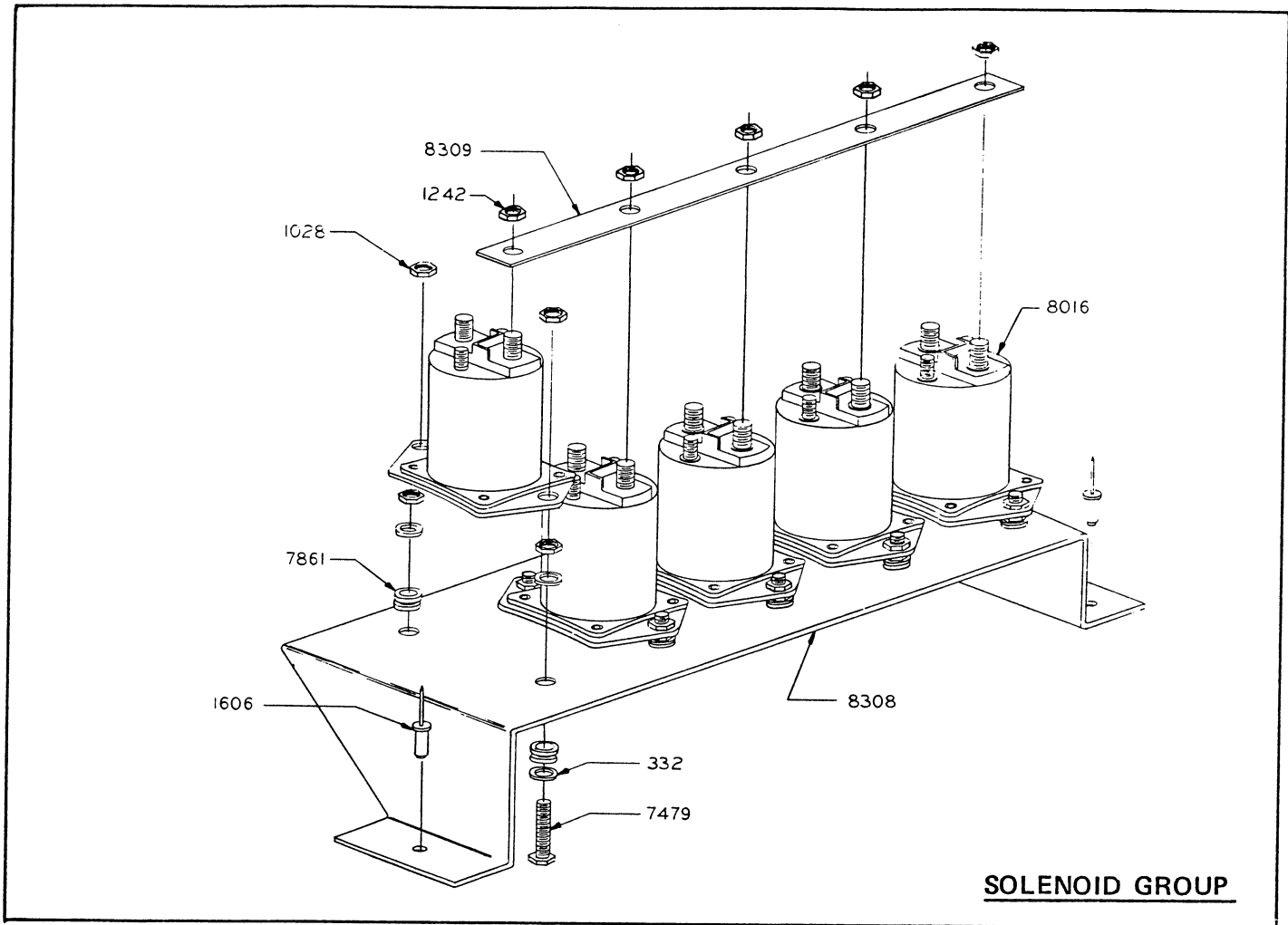
PLC 75



Part No.	Description	No. Req'd.
332	1/4" Flatwasher	5
1226	"E" Ring	4
1241	5/16" Flatwasher	8
7061	Seat Plate Trim	1
7364	1/4" x 3/4" Phillips Head Machine Screw	4
7473	5/16" - 18 Nylon Insert Lock Nut	8
8233	1/4" - 20 Nylon Insert Lock Nut	7
8248	1/4" - 20 x 3/4" Phillips Head Machine Screw (Steel)	2
8363	Adjustable Seat Left Hand	1
8364	Adjustable Seat Right Hand	1
8379	Seat Plate	1
8381	Seat Stiffener Channel	2
8393	Hinge Pin	2
8394	Seat Hinge	2
8395	Body Hinge	2
8402	Rubber Spacer	8
8418	1/4" - 20 x 1 1/2" Slotted Head Machine Screw	1
8419	1/4" - 20 x 5/8" Phillips Head Machine Screw (Steel)	2

INCLUDE PART NUMBER OF EACH PART ORDERED AND SERIAL NUMBER OF CAR

PLC 75



Part No.	Description	No. Req'd.
332	1/4" Flat Washer	20
1028	1/4" - 20 Hex Nut	20
1242	5/16" - 18 Hex Nut	5
1606	3/16" x 1/2" Pop Rivet	3
7479	1/4" x 1 1/4" Hex Bolt	10
7861	Rubber Grommet	10
8016	36 Volt Solenoid	5
8308	Bracket - Solenoid	1
8309	Buss Bar	1
8315	Wire Assembly	1

INCLUDE PART NUMBER OF EACH PART ORDERED AND SERIAL NUMBER OF CAR

PLC 75



