

PARTS CATALOGUE

MODEL YEAR 2003

G-MAX 4-STROKE

G22AY (JU01)

STARTING VIN: JU0-000101 and following

OWNERS LIT-11626-
ASSEMBLY LIT-11666-
SERVICE LIT-11616-

CONTENTS

ACCELERATOR	C2
AIR SHROUD FAN	A9
BODY 2 REAR	D2-3
BODY FITTING	D4
BODY FRONT	C12 ,D1
BRAKE	B10-11
BRAKE 2	B12
BRAKE 3	C1
BUMPER	C11
CAMSHAFT VALVE	A8
CARBURETOR	A11
CARRIER	D5
CRANKCASE	B1
CRANKSHAFT PISTON	A7
CYLINDER HEAD	A6
ELECTRICAL 1	D9
ELECTRICAL 2	D10-11
ENGINE ASSEMBLY	A5
ENGINE MOUNT	B2
EXHAUST	A12
FRAME	B4
FRONT SUSPENSION WHEEL	B5-6
FUEL TANK	B9
GOVERNOR	C3
INTAKE	A10
OPTIONAL HUB CAPS	D12
OPTIONAL LIGHT KIT	E3
OPTIONAL SUN ROOF	E2
OPTIONAL WINDSHIELD	E1
PRIMARY CLUTCH	C4
REAR ARM SUSPENSION	B3
REAR AXLE MOUNT WHEEL	C9
SEAT	D6
SECONDARY SHEAVE	C5
SHIFTER CABLES	C10
STARTER GENERATOR	D7-8
STEERING	B7-8
TRANSMISSION	C6-8

CONTENTS

ACCELERATOR	C2
AIR SHROUD FAN	A9
BODY 2 REAR	D2-3
BODY FITTING	D4
BODY FRONT	C12 ,D1
BRAKE	B10-11
BRAKE 2	B12
BRAKE 3	C1
BUMPER	C11
CAMSHAFT VALVE	A8
CARBURETOR	A11
CARRIER	D5
CRANKCASE	B1
CRANKSHAFT PISTON	A7
CYLINDER HEAD	A6
ELECTRICAL 1	D9
ELECTRICAL 2	D10-11
ENGINE ASSEMBLY	A5
ENGINE MOUNT	B2
EXHAUST	A12
FRAME	B4
FRONT SUSPENSION WHEEL	B5-6
FUEL TANK	B9
GOVERNOR	C3
INTAKE	A10
OPTIONAL HUB CAPS	D12
OPTIONAL LIGHT KIT	E3
OPTIONAL SUN ROOF	E2
OPTIONAL WINDSHIELD	E1
PRIMARY CLUTCH	C4
REAR ARM SUSPENSION	B3
REAR AXLE MOUNT WHEEL	C9
SEAT	D6
SECONDARY SHEAVE	C5
SHIFTER CABLES	C10
STARTER GENERATOR	D7-8
STEERING	B7-8
TRANSMISSION	C6-8

FOREWORD

-INTRODUCTION- To The Yamaha Parts Fiche

This parts fiche lists parts and sub-assemblies for the G22AY. When preparing a parts order, please refer to the most recently updated microfiche for this model.

THE YAMAHA PARTS FICHE

SYMBOLS

[]	Inactive, no longer available
U.R.	Use size (thickness) and/or number as required
U.N.	Use as many as you need
T	Number of teeth in a gear
V	Voltage for light bulbs
S	"S" type oil seal or "S" type circlip
SD,SO,SW	"SD", "SO", or "SW" type oil seal
E,R	"E" or "R" type circlip
F/No.	Frame No. (Applicable Machine No.)
L.M.	Locally made
O.L.	Obtain locally
AP	Alternate Part

SUPERSEDED PART NUMBERS

If part 'A' has been superseded by part 'B', the superseding part number "B" will appear in the part number listing with the superseded part number "A" appearing in parentheses immediately following the description.

EXAMPLE:

Ref. No.	Part No.	Description	Qty.
	(Part 'B')	(Part 'A')	
8	123-45678-00-00	CYLINDER (111-12345-00-00)	1

A part that has been superseded to a kit may be identified by a 99999-00000-00 part number appearing in the part number column. The old superseded part number will appear in parentheses immediately following the description. Listed directly below the 99999 part number will be those parts making up the kit. The description of the parts making up the kit will be preceded by a small black dot (.) and the description will be indented one letter space.

EXAMPLE:

Ref. No.	Part No.	Description	Qty.
8	99999-12345-00	CYLINDER (111-12345-00-00)	1
	234-56789-00-00	• HEAD, CYLINDER	1
	345-67890-00-00	• GASKET, CYLINDER	1

SIZES

Except for steel balls (ball sizes are indicated in inches), all parts sizes are indicated in millimeters as in the following examples:

Hose (Rubber or Vinyl)	Inside Diameter - Length
O-Ring	Section Area - Inside Diameter
Washer, Shim, Collar	Inside Diameter - Outside Diameter Thickness (Length)

ASSEMBLIES AND COMPONENT PARTS

Assemblies and their component parts, are identified by an indentation of one letter space, and the description is preceded by a dot (.). If two main assemblies are listed, and have the same basic description (i.e.: left and right sides of the same assembly), one will immediately follow the other. If each of these main assemblies is made up of almost the same components, these component parts will be listed immediately under the second main assembly line and will be indicated, as noted above.

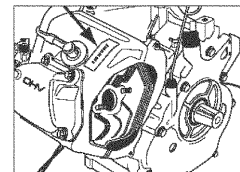
If the component is the same for both main assemblies, the quantity indicated will be the total required. If the component is not the same for both main assemblies, the quantity for each separate item will be listed separately.

EXAMPLE:

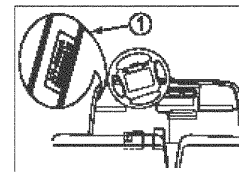
Description	Qty
CARBURETOR ASSY, LEFT	1
CARBURETOR ASSY, RIGHT	1
. JET, PILOT	2
. NOZZLE, MAIN	2
. LEVER, STARTER, LEFT	1
. LEVER, STARTER, RIGHT	1

APPLICABLE SERIAL NO.

(1) Engine Serial No.



(2) Frame Serial No.



CONTENTS

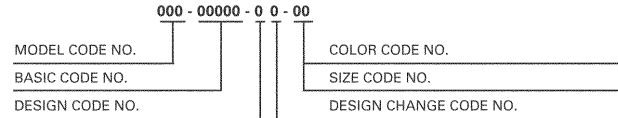
ACCELERATOR	C2
AIR SHROUD FAN	A9
BODY 2 REAR	D2-3
BODY FITTING	D4
BODY FRONT	C12 ,D1
BRAKE	B10-11
BRAKE 2	B12
BRAKE 3	C1
BUMPER	C11
CAMSHAFT VALVE	A8
CARBURETOR	A11
CARRIER	D5
CRANKCASE	B1
CRANKSHAFT PISTON	A7
CYLINDER HEAD	A6
ELECTRICAL 1	D9
ELECTRICAL 2	D10-11
ENGINE ASSEMBLY	A5
ENGINE MOUNT	B2
EXHAUST	A12
FRAME	B4
FRONT SUSPENSION WHEEL	B5-6
FUEL TANK	B9
GOVERNOR	C3
INTAKE	A10
OPTIONAL HUB CAPS	D12
OPTIONAL LIGHT KIT	E3
OPTIONAL SUN ROOF	E2
OPTIONAL WINDSHIELD	E1
PRIMARY CLUTCH	C4
REAR ARM SUSPENSION	B3
REAR AXLE MOUNT WHEEL	C9
SEAT	D6
SECONDARY SHEAVE	C5
SHIFTER CABLES	C10
STARTER GENERATOR	D7-8
STEERING	B7-8
TRANSMISSION	C6-8

FOREWORD

THE YAMAHA PART NUMBER

The Yamaha part number consists of 12 digits. Each number represents a specific piece of information relating to a replacement part. The following is a guide for reading and interpreting the Yamaha part number.

BASIC PART NUMBER CONFIGURATION:



MODEL CODE NUMBER

FIRST THREE DIGITS . . . 000-00000-00-00

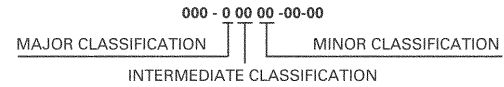
Every model in each Yamaha product line is assigned a model number to identify that particular model. All component parts are given the model code number relating to the model on which they were first used.

Example: 4DU-00000-00-00 identifies the XJ600SE.
3FA-00000-00-00 identifies the YFA1E.

BASIC CODE NUMBER

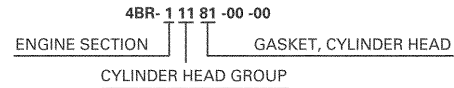
MIDDLE FIVE DIGITS . . . 000-00000-00-00

These "Middle Five Digits" indicate the type of part i.e., piston, rings, lower units, etc. The five digits are broken down as follows:



The "Major Classification" indicates the section to which the parts belong, i.e., engine, electrical etc. The "Intermediate" and "Minor Classifications" indicate more specific details.

Example:



DESIGN CODE NUMBER: 000-00000-00-00

The design code distinguishes like component parts from one another when specification differences are involved. For example, distinguishing a standard size piston ring from an oversized piston ring.

Example:

4BR-11610- 0 0-00 Standard Piston Ring Set for XJ600SE
4BR-11610- 2 0-00 Oversize Piston Ring Set for XJ600SE

DESIGN CHANGE CODE NUMBER: 000-00000-00-00

This code number is used to identify a difference between a new component part and old one when a new part is created by changing the old one.

Example: YFZ350E

2GU-11610-0 0 -00 PISTON RING SET, STD. - ORIGINAL
2GU-11610-0 1 -00 PISTON RING SET, STD. - FIRST DESIGN CHANGE

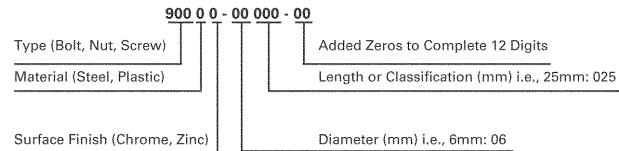
Only major changes to performance, durability, quality, appearance, cost or interchangeability will affect a part number change.

COLOR CODE & SIZE CODE NUMBER: 000-00000-00-00

When applicable, the last two digits of the part number identify:

1. Color Code: The painted color or type of plating or surface treatment used on certain parts.
2. Size Code: The last two digits are also used to show the size of parts (mm). Such as the thickness of shims or the size of pistons.

HARDWARE (Fastener) PART NUMBER CONFIGURATION:



TYPE:

A fastener part number always begins with the number "9" followed by either a 0, 1, 2, 3, 4, 5, 6, 7 or 8 designating one of eight major divisions within this group.

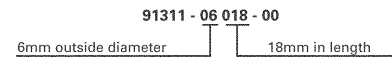
FOREWORD

Example:

- 9 0 000-00000-00 "0" designates various types.
- 9 1 000-00000-00 "1" designates bolts, cotter pins, etc.
- 9 2 000-00000-00 "2" designates screw, nuts, etc.
- 9 3 000-00000-00 "3" designates oil seals, o-rings, bearings, etc.
- 9 4 000-00000-00 "4" designates spark plugs.
- 9 5 000-00000-00 "5" designates bolts and nuts.
- 9 7 000-00000-00 "7" designates ISO bolts.
- 9 8 000-00000-00 "8" designates ISO screws and nuts.

The only major divisions which the mechanic should become familiar with are those related to the general hardware (nuts, bolts, and washers), since these are the most commonly used and most often replaced items. By knowing how to interpret the part number, the dimensions of a piece of hardware can be determined. This can be very helpful during major engine repair, and general parts replacement.

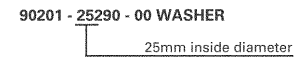
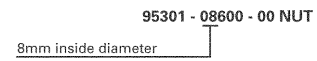
BOLT EXAMPLE:



EXCEPTION:

It is NOT possible to identify the LENGTH of bolts having a 901 prefix. Only the bolt diameter can be identified with this number.

NUT AND WASHER EXAMPLE:



CONTENTS

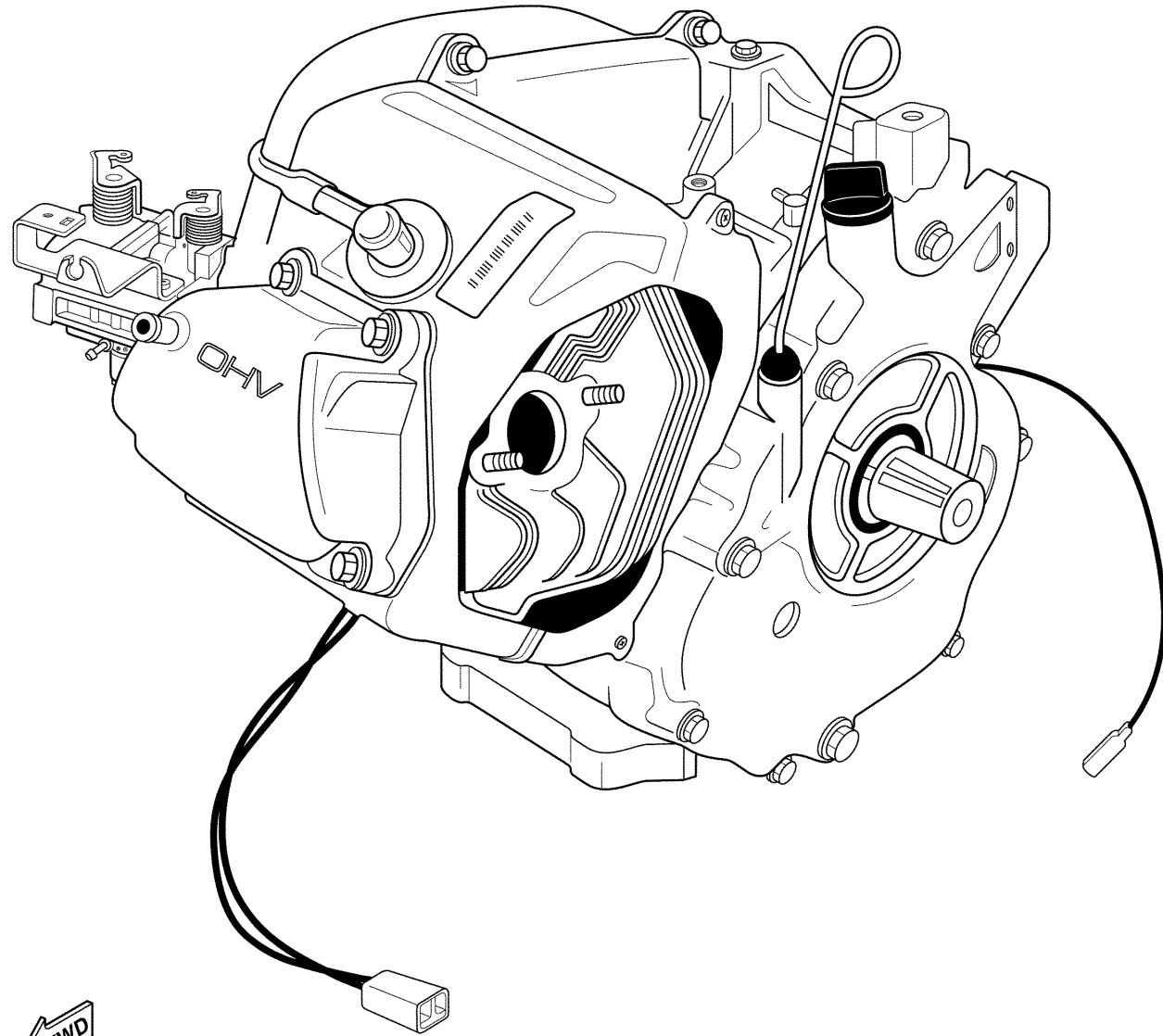
ACCELERATOR	C2
AIR SHROUD FAN	A9
BODY 2 REAR	D2-3
BODY FITTING	D4
BODY FRONT	C12 ,D1
BRAKE	B10-11
BRAKE 2	B12
BRAKE 3	C1
BUMPER	C11
CAMSHAFT VALVE	A8
CARBURETOR	A11
CARRIER	D5
CRANKCASE	B1
CRANKSHAFT PISTON	A7
CYLINDER HEAD	A6
ELECTRICAL 1	D9
ELECTRICAL 2	D10-11
ENGINE ASSEMBLY	A5
ENGINE MOUNT	B2
EXHAUST	A12
FRAME	B4
FRONT SUSPENSION WHEEL	B5-6
FUEL TANK	B9
GOVERNOR	C3
INTAKE	A10
OPTIONAL HUB CAPS	D12
OPTIONAL LIGHT KIT	E3
OPTIONAL SUN ROOF	E2
OPTIONAL WINDSHIELD	E1
PRIMARY CLUTCH	C4
REAR ARM SUSPENSION	B3
REAR AXLE MOUNT WHEEL	C9
SEAT	D6
SECONDARY SHEAVE	C5
SHIFTER CABLES	C10
STARTER GENERATOR	D7-8
STEERING	B7-8
TRANSMISSION	C6-8

ENGINE ASSEMBLY

Ref. No.	Part Number	Description	Qty	Remarks
1	JR6-19001-00-00	ENGINE ASSEMBLY	1	

CONTENTS

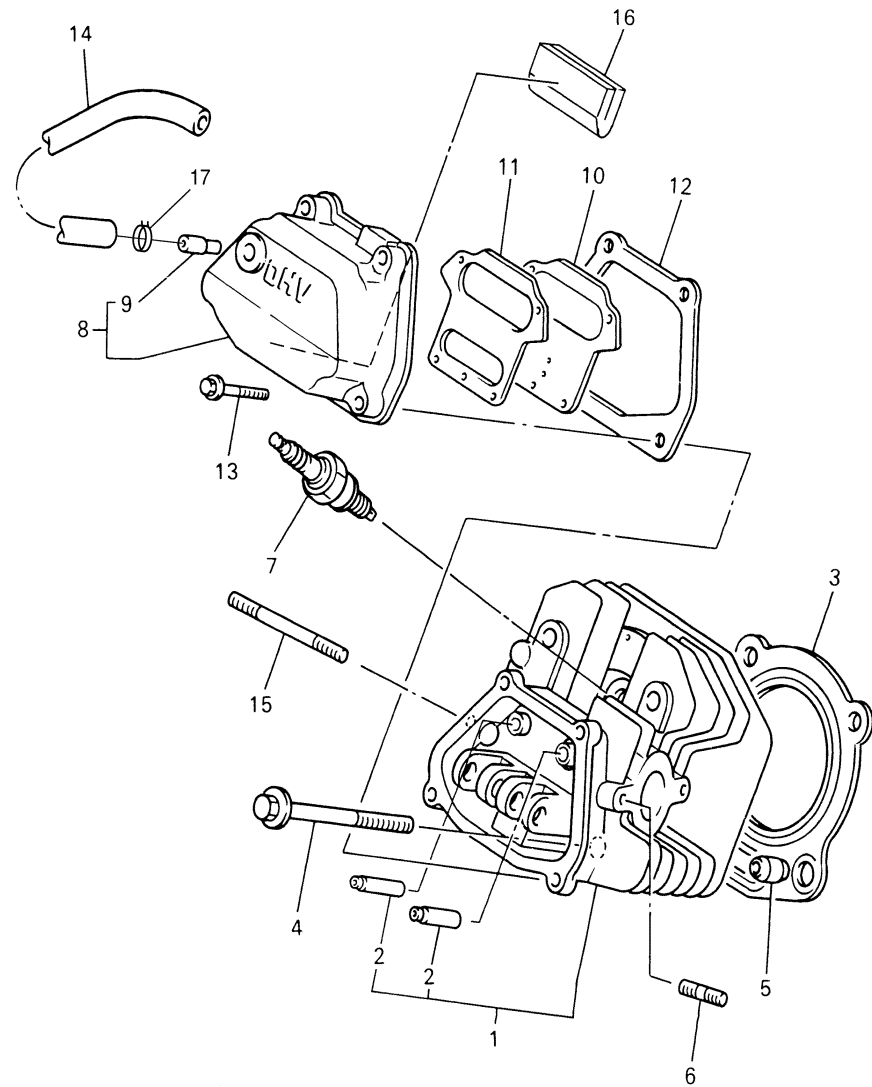
ACCELERATOR	C2
AIR SHROUD FAN	A9
BODY 2 REAR	D2-3
BODY FITTING	D4
BODY FRONT	C12 ,D1
BRAKE	B10-11
BRAKE 2	B12
BRAKE 3	C1
BUMPER	C11
CAMSHAFT VALVE	A8
CARBURETOR	A11
CARRIER	D5
CRANKCASE	B1
CRANKSHAFT PISTON	A7
CYLINDER HEAD	A6
ELECTRICAL 1	D9
ELECTRICAL 2	D10-11
ENGINE ASSEMBLY	A5
ENGINE MOUNT	B2
EXHAUST	A12
FRAME	B4
FRONT SUSPENSION WHEEL	B5-6
FUEL TANK	B9
GOVERNOR	C3
INTAKE	A10
OPTIONAL HUB CAPS	D12
OPTIONAL LIGHT KIT	E3
OPTIONAL SUN ROOF	E2
OPTIONAL WINDSHIELD	E1
PRIMARY CLUTCH	C4
REAR ARM SUSPENSION	B3
REAR AXLE MOUNT WHEEL	C9
SEAT	D6
SECONDARY SHEAVE	C5
SHIFTER CABLES	C10
STARTER GENERATOR	D7-8
STEERING	B7-8
TRANSMISSION	C6-8



JR3100-0001

A5

CYLINDER HEAD



Ref. No.	Part Number	Description	Qty	Remarks
1	JT0-11111-00-00	HEAD, CYLINDER 1	1	
2	JN6-11133-10-00	. GUIDE, VALVE 1	2	
3	JT0-11181-00-00	GASKET, CYLINDER HEAD 1	1	
4	95817-10070-00	BOLT, FLANGE	4	
5	99530-14016-00	PIN, DOWEL	2	
6	95617-08618-00	BOLT, STUD	2	
7	NGK-BPR4E-S0-00	PLUG, SPARK	1	AP, U.S.
	94702-00343-00	PLUG, SPARK (NGK BP4ES)	1	AP, EUROPE
	94702-00348-00	PLUG, SPARK (NGK-BPR2ES)	1	STD, EUROPE
	NGK-BPR2E-S0-00	PLUG, SPARK	1	STD, U.S.
8	JN6-11191-01-00	COVER, CYLINDER HEAD 1	1	
9	JN6-11116-00-00	. JOINT, BREATHER	1	
10	JN6-11168-00-00	COVER, BREATHER	1	
11	JN6-11169-00-00	GASKET, BREATHER COVER	1	
12	JN6-11193-00-00	GASKET, HEAD COVER 1	1	
13	95817-06030-00	BOLT, FLANGE	4	
14	JN6-E1166-00-00	PIPE, BREATHER 1	1	
15	95617-08710-00	BOLT, STUD	2	
16	JR7-11163-00-00	ELEMENT	1	
17	90467-13847-00	CLIP	2	

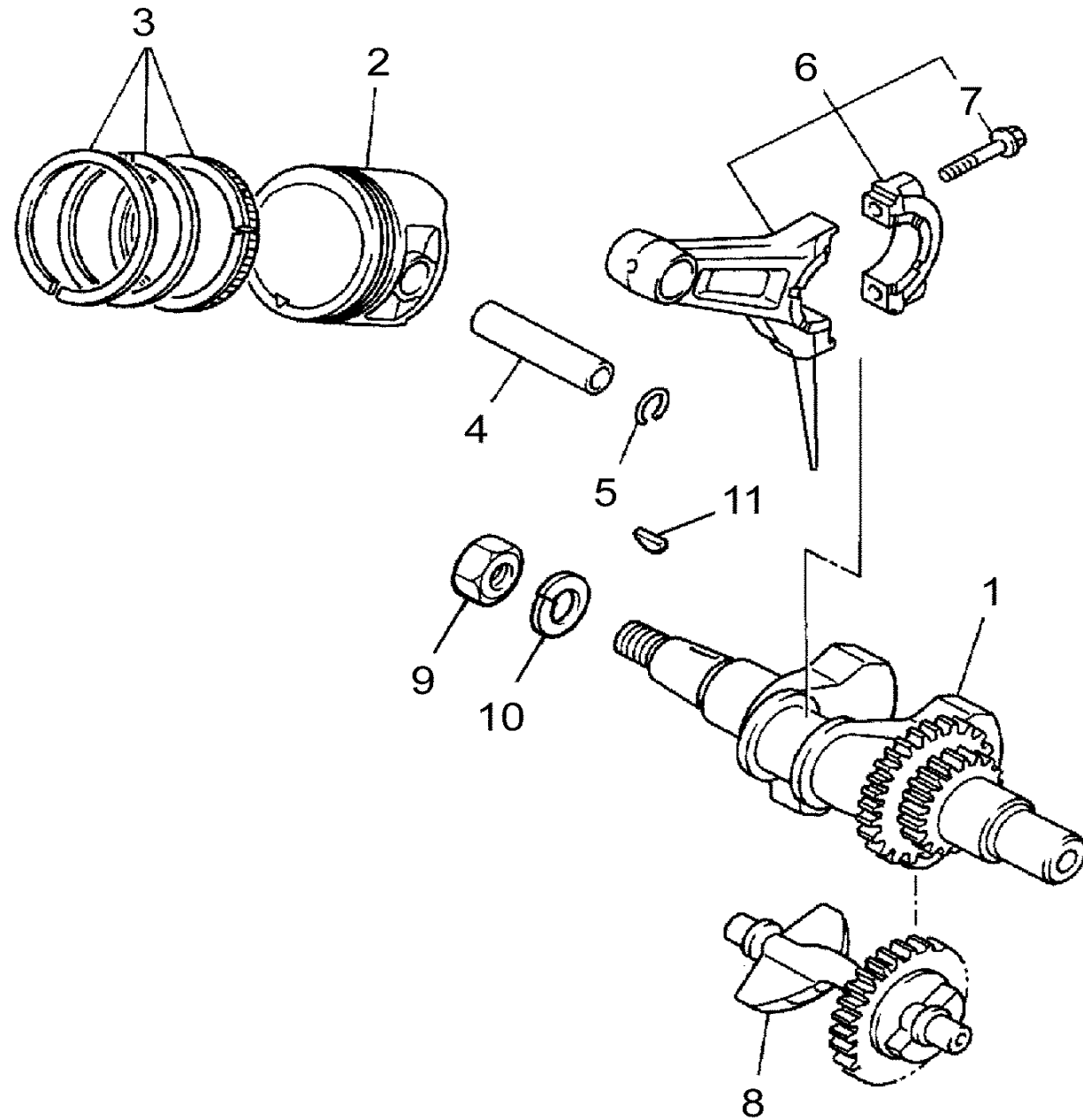
CONTENTS

ACCELERATOR	C2
AIR SHROUD FAN	A9
BODY 2 REAR	D2-3
BODY FITTING	D4
BODY FRONT	C12 ,D1
BRAKE	B10-11
BRAKE 2	B12
BRAKE 3	C1
BUMPER	C11
CAMSHAFT VALVE	A8
CARBURETOR	A11
CARRIER	D5
CRANKCASE	B1
CRANKSHAFT PISTON	A7
CYLINDER HEAD	A6
ELECTRICAL 1	D9
ELECTRICAL 2	D10-11
ENGINE ASSEMBLY	A5
ENGINE MOUNT	B2
EXHAUST	A12
FRAME	B4
FRONT SUSPENSION WHEEL	B5-6
FUEL TANK	B9
GOVERNOR	C3
INTAKE	A10
OPTIONAL HUB CAPS	D12
OPTIONAL LIGHT KIT	E3
OPTIONAL SUN ROOF	E2
OPTIONAL WINDSHIELD	E1
PRIMARY CLUTCH	C4
REAR ARM SUSPENSION	B3
REAR AXLE MOUNT WHEEL	C9
SEAT	D6
SECONDARY SHEAVE	C5
SHIFTER CABLES	C10
STARTER GENERATOR	D7-8
STEERING	B7-8
TRANSMISSION	C6-8



JT01010-0011

CRANKSHAFT PISTON



Ref. No.	Part Number	Description	Qty	Remarks
1	JN6-11400-00-00	CRANKSHAFT ASSY	1	
2	JR7-11631-00-A0	PISTON (STD)	1	STD
	JR7-11635-00-00	PISTON (0.25MM O/S)	1	AP
	JR7-11636-00-00	PISTON (0.50MM O/S)	1	AP
3	JR7-11610-00-00	PISTON RING SET (STD)	1	STD
	JR7-11610-20-00	PISTON RING SET (0.50MM O/S)	1	AP
	JR7-11610-10-00	PISTON RING SET (0.25MM O/S)	1	AP
4	538-11633-00-00	PIN, PISTON	1	
5	93450-21053-00	CIRCLIP	2	
6	JN6-11650-00-00	CONNECTING ROD ASSY	1	
7	JN6-11654-00-00	. BOLT, CONNECTING ROD ..	2	
8	JN6-11454-00-00	WEIGHT 1	1	
9	95317-18600-00	NUT, HEX	1	
10	90201-18620-00	WASHER, PLATE	1	
11	90280-04052-00	KEY, WOODRUFF	1	

CONTENTS

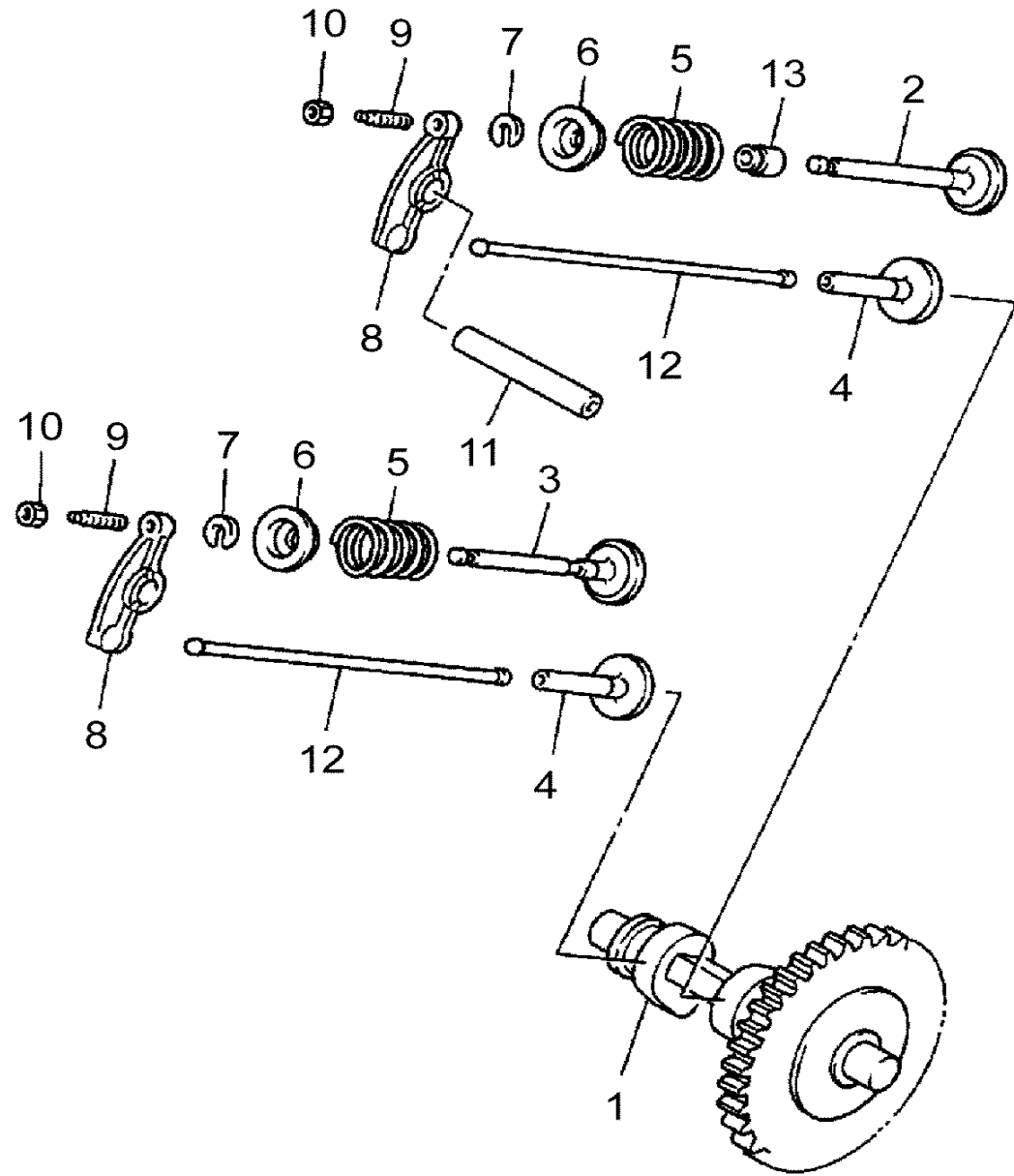
ACCELERATOR	C2
AIR SHROUD FAN	A9
BODY 2 REAR	D2-3
BODY FITTING	D4
BODY FRONT	C12 ,D1
BRAKE	B10-11
BRAKE 2	B12
BRAKE 3	C1
BUMPER	C11
CAMSHAFT VALVE	A8
CARBURETOR	A11
CARRIER	D5
CRANKCASE	B1
CRANKSHAFT PISTON	A7
CYLINDER HEAD	A6
ELECTRICAL 1	D9
ELECTRICAL 2	D10-11
ENGINE ASSEMBLY	A5
ENGINE MOUNT	B2
EXHAUST	A12
FRAME	B4
FRONT SUSPENSION WHEEL	B5-6
FUEL TANK	B9
GOVERNOR	C3
INTAKE	A10
OPTIONAL HUB CAPS	D12
OPTIONAL LIGHT KIT	E3
OPTIONAL SUN ROOF	E2
OPTIONAL WINDSHIELD	E1
PRIMARY CLUTCH	C4
REAR ARM SUSPENSION	B3
REAR AXLE MOUNT WHEEL	C9
SEAT	D6
SECONDARY SHEAVE	C5
SHIFTER CABLES	C10
STARTER GENERATOR	D7-8
STEERING	B7-8
TRANSMISSION	C6-8



JN7010-6020

CAMSHAFT VALVE

Ref. No.	Part Number	Description	Qty	Remarks
1	JR7-12170-00-00	CAMSHAFT ASSY 1	1	
2	JN6-12111-01-00	VALVE, INTAKE	1	
3	JR7-12121-00-00	VALVE, EXHAUST	1	
4	JN6-12153-00-00	LIFTER, VALVE	2	
5	90501-126A9-00	SPRING, COMPRESSION	2	
6	J38-12117-01-00	RETAINER, VALVE SPRING	2	
7	J38-12118-00-00	COTTER, VALVE	2	
8	JN6-12151-00-00	ARM, VALVE ROCKER	2	
9	22F-12159-00-00	SCREW, VALVE ADJUSTING	2	
10	90170-05302-00	NUT	2	
11	J38-12156-00-00	SHAFT, ROCKER 2	1	
12	JR7-12154-00-00	ROD, VALVE PUSH	2	
13	5H0-12119-00-00	SEAL, VALVE STEM	1	



CONTENTS

ACCELERATOR	C2
AIR SHROUD FAN	A9
BODY 2 REAR	D2-3
BODY FITTING	D4
BODY FRONT	C12 ,D1
BRAKE	B10-11
BRAKE 2	B12
BRAKE 3	C1
BUMPER	C11
CAMSHAFT VALVE	A8
CARBURETOR	A11
CARRIER	D5
CRANKCASE	B1
CRANKSHAFT PISTON	A7
CYLINDER HEAD	A6
ELECTRICAL 1	D9
ELECTRICAL 2	D10-11
ENGINE ASSEMBLY	A5
ENGINE MOUNT	B2
EXHAUST	A12
FRAME	B4
FRONT SUSPENSION WHEEL	B5-6
FUEL TANK	B9
GOVERNOR	C3
INTAKE	A10
OPTIONAL HUB CAPS	D12
OPTIONAL LIGHT KIT	E3
OPTIONAL SUN ROOF	E2
OPTIONAL WINDSHIELD	E1
PRIMARY CLUTCH	C4
REAR ARM SUSPENSION	B3
REAR AXLE MOUNT WHEEL	C9
SEAT	D6
SECONDARY SHEAVE	C5
SHIFTER CABLES	C10
STARTER GENERATOR	D7-8
STEERING	B7-8
TRANSMISSION	C6-8



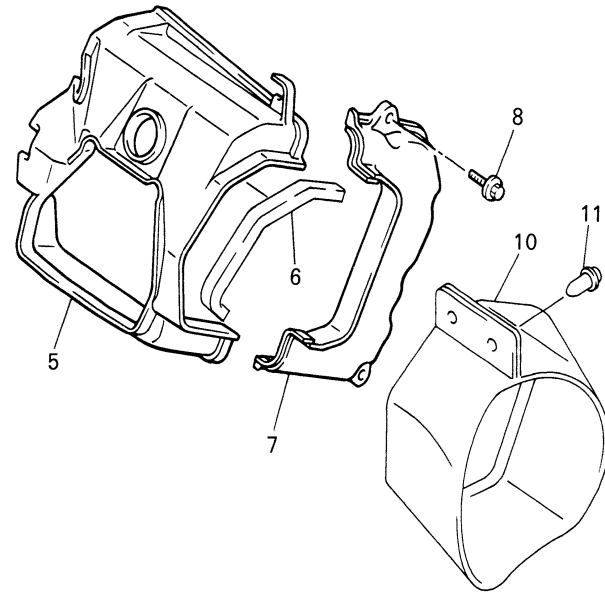
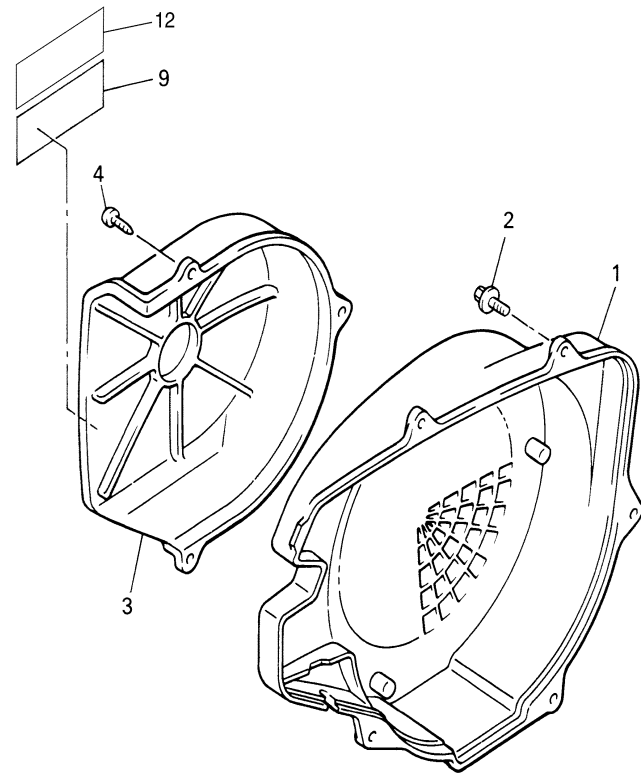
JN7010-6030

AIR SHROUD FAN

Ref. No.	Part Number	Description	Qty	Remarks
1	JN6-12621-00-00	CASE, FAN	1	
2	95817-06020-00	BOLT, FLANGE	5	
3	JN6-12616-00-00	COVER, FAN CASE	1	
4	97707-60520-00	SCREW, TAPPING	3	
5	JN6-12651-00-00	AIR SHROUD, CYLINDER 1	1	
6	JR7-12658-00-00	DAMPER, AIR SHROUD 1	1	
7	JN6-12652-00-00	AIR SHROUD, CYLINDER 2	1	
8	95817-06020-00	BOLT, FLANGE	2	
9	JR6-2179R-01-00	PLATE, EPA 2 (CALIFORNIA)	1	UR, U.S. MODEL
10	JN6-E2691-00-00	DUCT, 1	1	
11	90269-08813-00	RIVET	2	
12	7UH-2111F-00-00	LABEL, EMISSION	1	

CONTENTS

ACCELERATOR	C2
AIR SHROUD FAN	A9
BODY 2 REAR	D2-3
BODY FITTING	D4
BODY FRONT	C12 ,D1
BRAKE	B10-11
BRAKE 2	B12
BRAKE 3	C1
BUMPER	C11
CAMSHAFT VALVE	A8
CARBURETOR	A11
CARRIER	D5
CRANKCASE	B1
CRANKSHAFT PISTON	A7
CYLINDER HEAD	A6
ELECTRICAL 1	D9
ELECTRICAL 2	D10-11
ENGINE ASSEMBLY	A5
ENGINE MOUNT	B2
EXHAUST	A12
FRAME	B4
FRONT SUSPENSION WHEEL	B5-6
FUEL TANK	B9
GOVERNOR	C3
INTAKE	A10
OPTIONAL HUB CAPS	D12
OPTIONAL LIGHT KIT	E3
OPTIONAL SUN ROOF	E2
OPTIONAL WINDSHIELD	E1
PRIMARY CLUTCH	C4
REAR ARM SUSPENSION	B3
REAR AXLE MOUNT WHEEL	C9
SEAT	D6
SECONDARY SHEAVE	C5
SHIFTER CABLES	C10
STARTER GENERATOR	D7-8
STEERING	B7-8
TRANSMISSION	C6-8



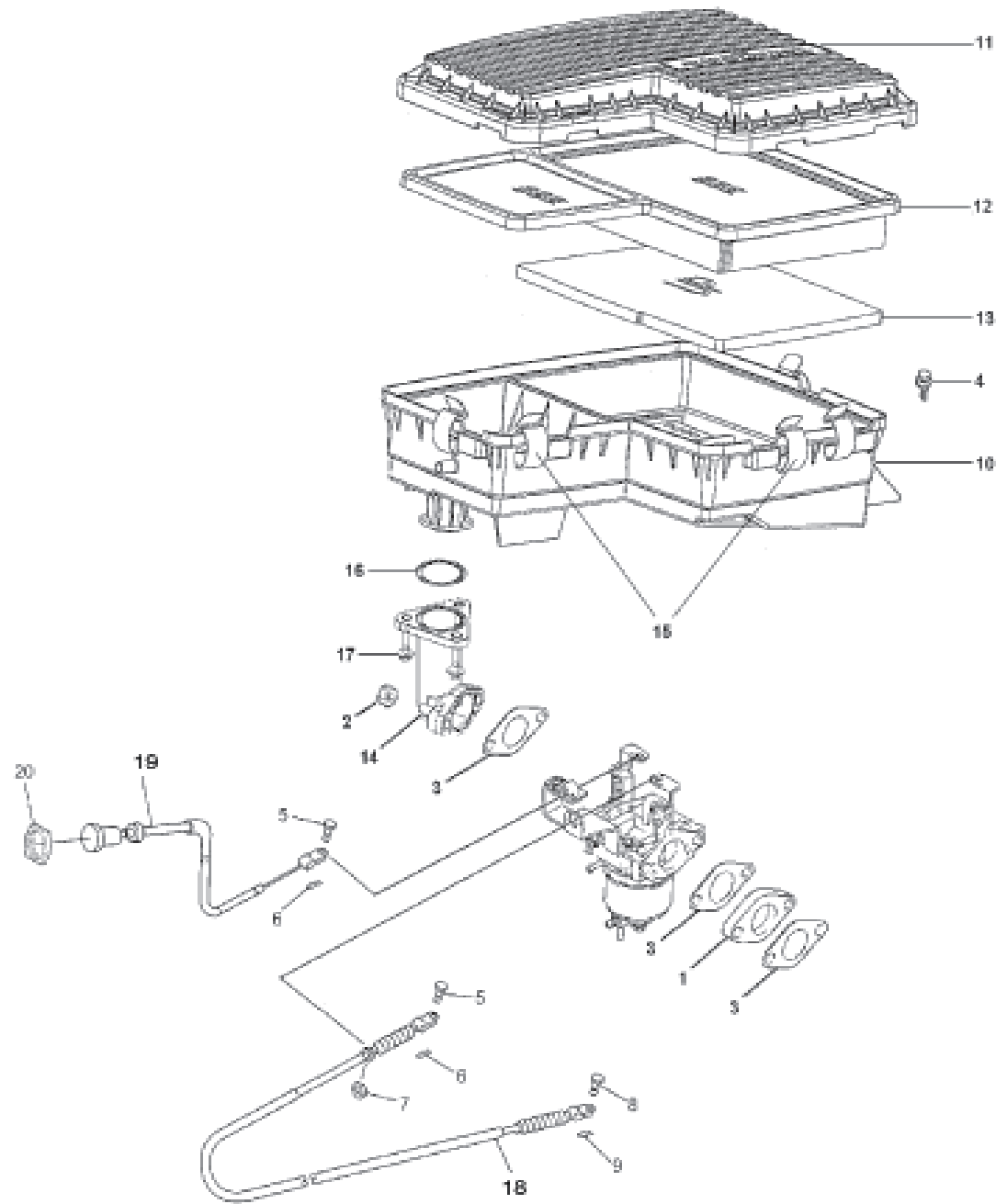
JU0100-5040

INTAKE

Ref. No.	Part Number	Description	Qty	Remarks
1	JN6-13595-00-00	JOINT	1	
2	90179-08491-00	NUT	2	
3	JN6-13567-00-00	GASKET	3	
4	90119-06838-00	BOLT, WITH WASHER	2	
5	91790-05010-00	PIN, CYLINDER HEAD W/HOLE	2	
6	90468-10050-00	CLIP	2	
7	99080-07600-00	CIRCLIP (E)	1	
8	91790-05010-00	PIN, CYLINDER HEAD W/HOLE	1	
9	90468-10050-00	CLIP	1	
10	JN6-E4411-02-00	CASE, AIR CLEANER 1	1	
11	JN6-E4412-01-00	CAP, CLEANER CASE 1	1	
12	JN6-E4450-01-00	ELEMENT ASSY, AIR CLEANER	1	
13	JN6-E445E-00-00	FILTER 1	1	
14	JN6-E3586-01-00	JOINT, CARBURETOR 1	1	
15	JN6-E4424-00-00	CLIP, CAP FITTING	5	
16	93210-398D6-00	O-RING	1	
17	90105-06862-00	BOLT, FLANGE	3	
18	JN6-F6312-01-00	CABLE, THROTTLE 2	1	
19	JN6-F6331-11-00	CABLE, STARTER 1	1	
20	JN6-F6333-10-00	NUT	1	

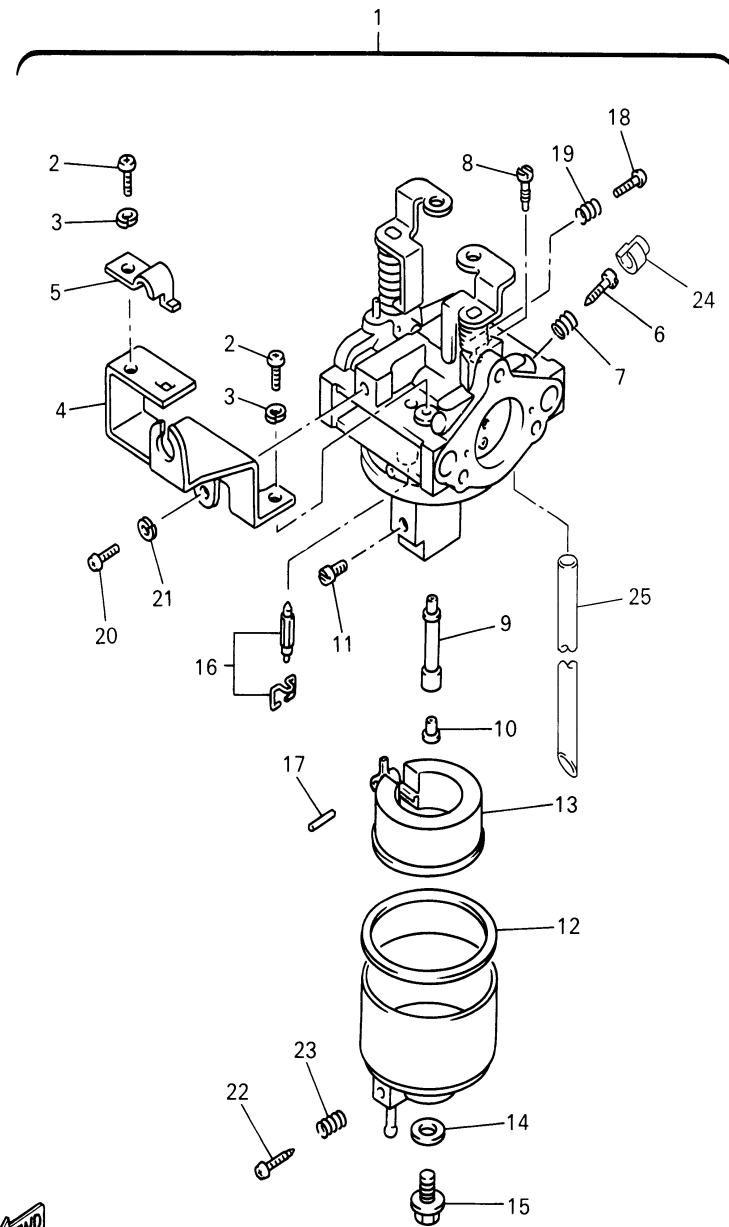
CONTENTS

ACCELERATOR	C2
AIR SHROUD FAN	A9
BODY 2 REAR	D2-3
BODY FITTING	D4
BODY FRONT	C12 ,D1
BRAKE	B10-11
BRAKE 2	B12
BRAKE 3	C1
BUMPER	C11
CAMSHAFT VALVE	A8
CARBURETOR	A11
CARRIER	D5
CRANKCASE	B1
CRANKSHAFT PISTON	A7
CYLINDER HEAD	A6
ELECTRICAL 1	D9
ELECTRICAL 2	D10-11
ENGINE ASSEMBLY	A5
ENGINE MOUNT	B2
EXHAUST	A12
FRAME	B4
FRONT SUSPENSION WHEEL	B5-6
FUEL TANK	B9
GOVERNOR	C3
INTAKE	A10
OPTIONAL HUB CAPS	D12
OPTIONAL LIGHT KIT	E3
OPTIONAL SUN ROOF	E2
OPTIONAL WINDSHIELD	E1
PRIMARY CLUTCH	C4
REAR ARM SUSPENSION	B3
REAR AXLE MOUNT WHEEL	C9
SEAT	D6
SECONDARY SHEAVE	C5
SHIFTER CABLES	C10
STARTER GENERATOR	D7-8
STEERING	B7-8
TRANSMISSION	C6-8



JU0100-5050

CARBURETOR



JR61100-1060

Ref. No.	Part Number	Description	Qty	Remarks
1	JR6-14101-00-00	CARBURETOR ASSY 1	1	
2	98507-05100-00	. SCREW, PAN HEAD	2	
3	92990-05100-00	. WASHER, SPRING	2	
4	JN6-14291-00-00	. BRACKET 1	1	
5	J10-14227-00-00	. PLATE	1	
6	7NJ-14211-00-00	. SCREW, PILOT ADJUSTING	1	
7	73A-14212-10-00	. SPRING	1	
8	732-14142-65-A0	. JET, PILOT (# 65)	1	(#65.0)
9	JN6-1495H-3B-00	. NOZZLE, MAIN	1	
10	73A-1414G-00-00	. PIPE, MAIN BREED	1	
11	3G2-1423A-68-A0	. JET, MAIN (# 87.5)	1	(#87.5)
12	796-14184-00-00	. GASKET, FLOAT CHAMBER	1	
13	JN6-14185-00-00	. FLOAT	1	
14	127-14198-00-00	. GASKET	1	
15	7R1-14162-00-00	. BOLT, HOLDING	1	
16	JN5-14150-00-00	. NEEDLE ASSY (WITH CLIP)	1	
17	22F-14186-00-00	. PIN, FLOAT	1	
18	1WG-14922-00-00	. SCREW, THROTTLE	1	
19	73A-14212-10-00	. SPRING	1	
20	98507-04010-00	. SCREW, PAN HEAD	1	
21	92903-04100-00	. WASHER	1	
22	7E1-14191-00-00	. PLUG, DRAIN	1	
23	73A-14212-00-00	. SPRING	1	
24	7LV-14118-00-00	. CAP	1	
25	1KT-14197-01-00	. PIPE	1	

CONTENTS

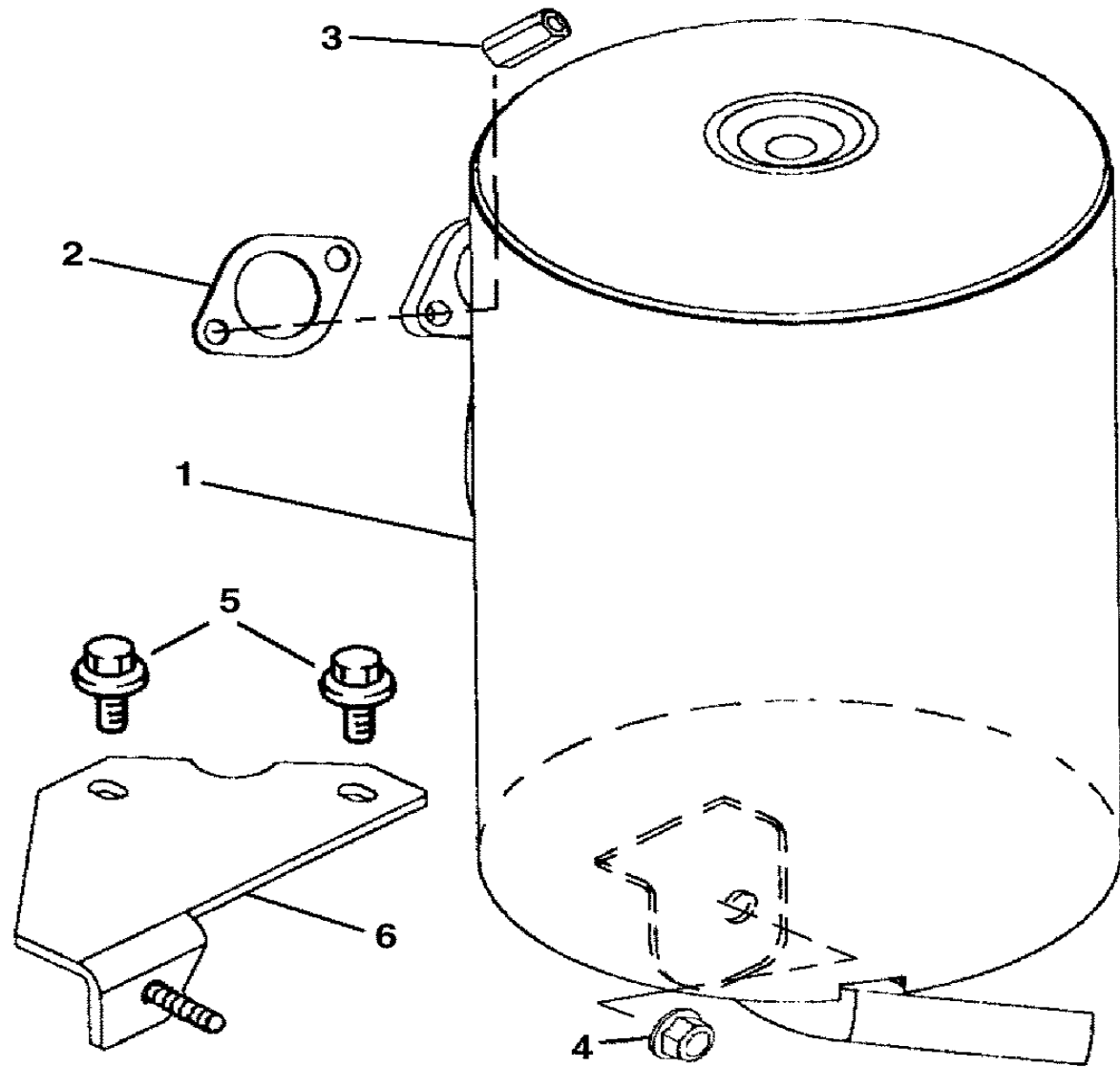
ACCELERATOR	C2
AIR SHROUD FAN	A9
BODY 2 REAR	D2-3
BODY FITTING	D4
BODY FRONT	C12 ,D1
BRAKE	B10-11
BRAKE 2	B12
BRAKE 3	C1
BUMPER	C11
CAMSHAFT VALVE	A8
CARBURETOR	A11
CARRIER	D5
CRANKCASE	B1
CRANKSHAFT PISTON	A7
CYLINDER HEAD	A6
ELECTRICAL 1	D9
ELECTRICAL 2	D10-11
ENGINE ASSEMBLY	A5
ENGINE MOUNT	B2
EXHAUST	A12
FRAME	B4
FRONT SUSPENSION WHEEL	B5-6
FUEL TANK	B9
GOVERNOR	C3
INTAKE	A10
OPTIONAL HUB CAPS	D12
OPTIONAL LIGHT KIT	E3
OPTIONAL SUN ROOF	E2
OPTIONAL WINDSHIELD	E1
PRIMARY CLUTCH	C4
REAR ARM SUSPENSION	B3
REAR AXLE MOUNT WHEEL	C9
SEAT	D6
SECONDARY SHEAVE	C5
SHIFTER CABLES	C10
STARTER GENERATOR	D7-8
STEERING	B7-8
TRANSMISSION	C6-8

EXHAUST

Ref. No.	Part Number	Description	Qty	Remarks
1	JU0-E4710-10-00	MUFFLER ASSY 1	1	
2	7KY-14613-01-00	GASKET, EXHAUST 1	1	
3	90179-08879-00	NUT	2	
4	90185-08841-00	NUT, SELF-LOCKING	1	
5	90179-08825-00	BOLT, HEX HEAD WWASHER	2	
6	JN6-F1435-10-00	BRACKET, MUFFLER 1	1	

CONTENTS

ACCELERATOR	C2
AIR SHROUD FAN	A9
BODY 2 REAR	D2-3
BODY FITTING	D4
BODY FRONT	C12 ,D1
BRAKE	B10-11
BRAKE 2	B12
BRAKE 3	C1
BUMPER	C11
CAMSHAFT VALVE	A8
CARBURETOR	A11
CARRIER	D5
CRANKCASE	B1
CRANKSHAFT PISTON	A7
CYLINDER HEAD	A6
ELECTRICAL 1	D9
ELECTRICAL 2	D10-11
ENGINE ASSEMBLY	A5
ENGINE MOUNT	B2
EXHAUST	A12
FRAME	B4
FRONT SUSPENSION WHEEL	B5-6
FUEL TANK	B9
GOVERNOR	C3
INTAKE	A10
OPTIONAL HUB CAPS	D12
OPTIONAL LIGHT KIT	E3
OPTIONAL SUN ROOF	E2
OPTIONAL WINDSHIELD	E1
PRIMARY CLUTCH	C4
REAR ARM SUSPENSION	B3
REAR AXLE MOUNT WHEEL	C9
SEAT	D6
SECONDARY SHEAVE	C5
SHIFTER CABLES	C10
STARTER GENERATOR	D7-8
STEERING	B7-8
TRANSMISSION	C6-8



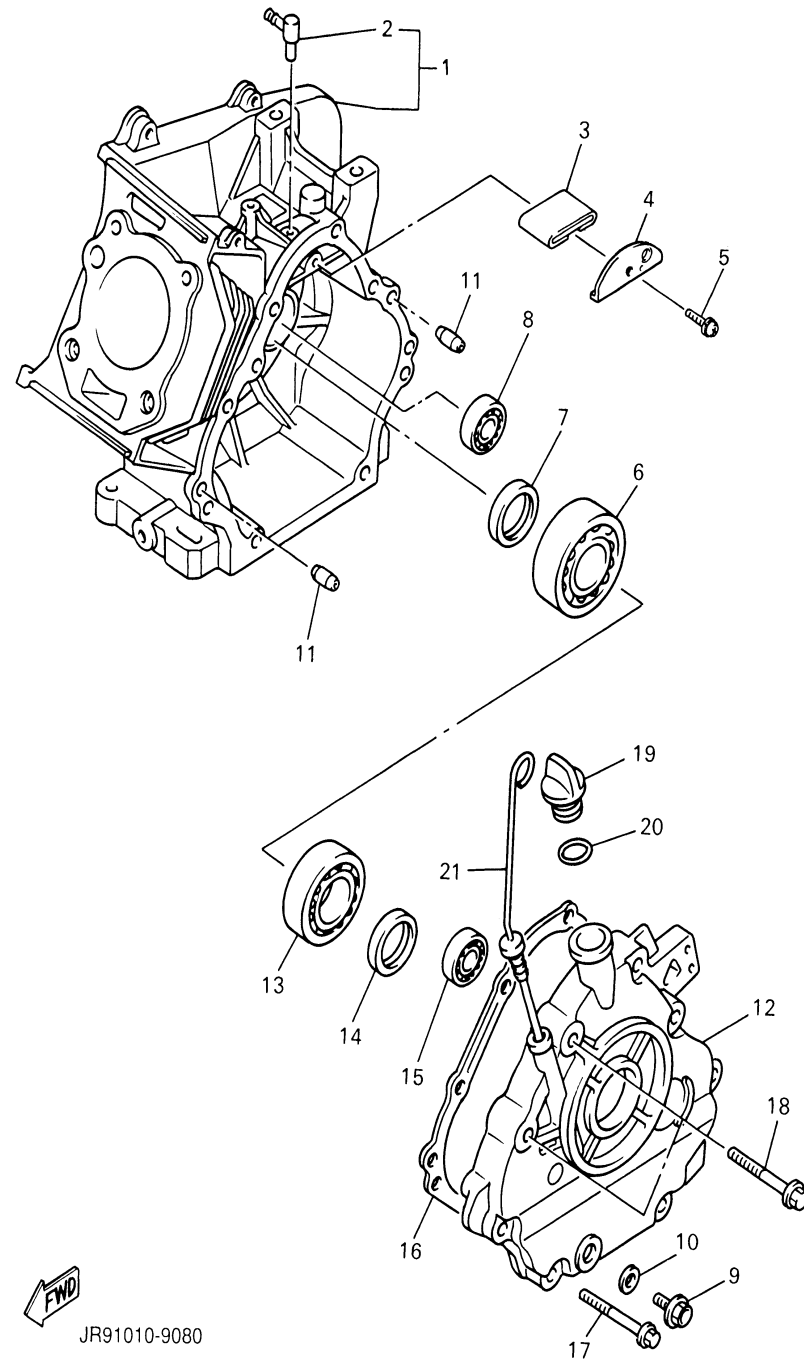
JN6100-6021

CRANKCASE

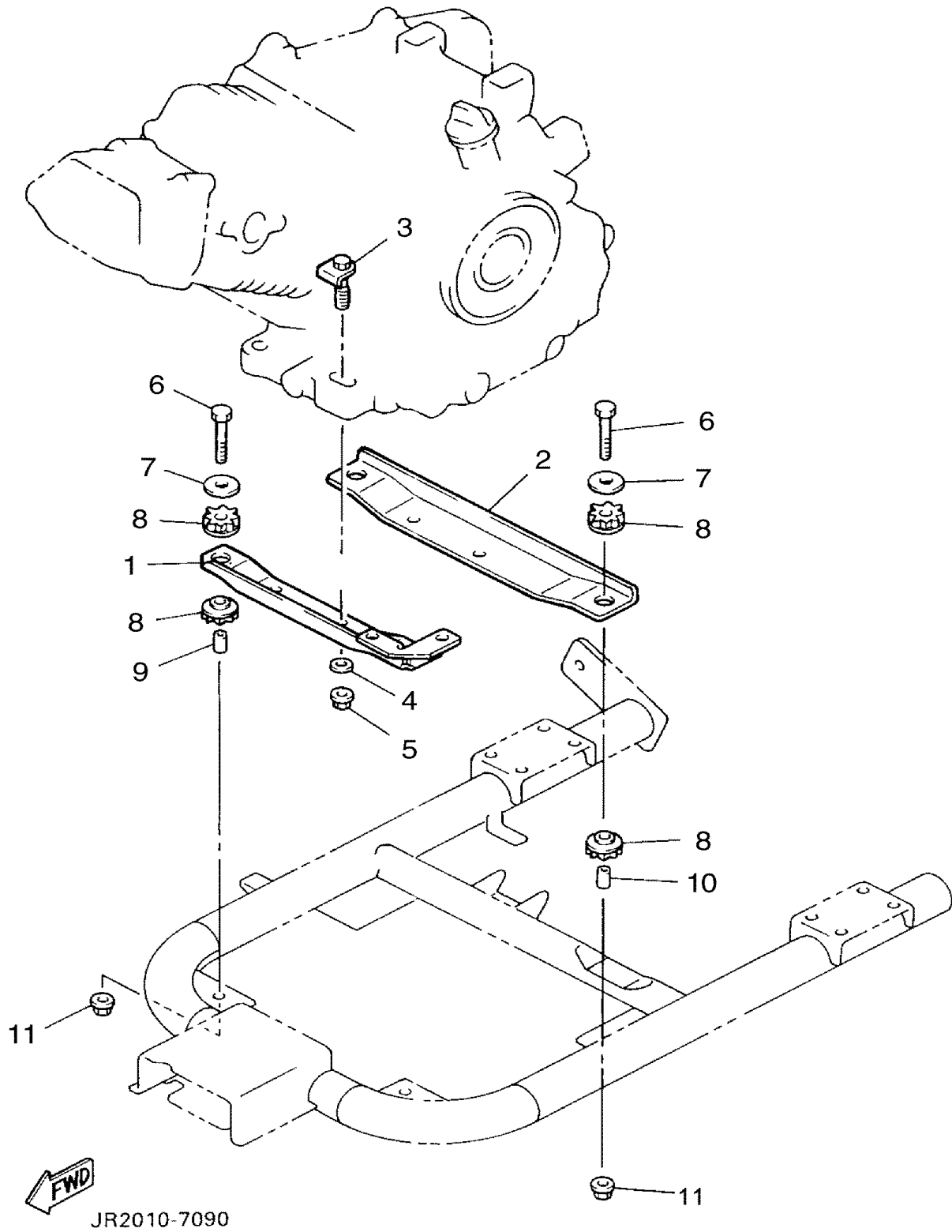
Ref. No.	Part Number	Description	Qty	Remarks
1	JR7-15100-00-00	CRANKCASE ASSY	1	
2	JN6-15155-00-00	. NOZZLE 3	1	
3	JR7-15407-00-00	ELEMENT 1	1	
4	JR7-15123-00-00	PLATE, BUFFLE 1	1	
5	90159-06107-00	SCREW, WITH WASHER	1	
6	93306-30709-00	BEARING	1	
7	93102-35191-00	SEAL, OIL	1	
8	93306-20211-00	BEARING (6202SH2-C3)	1	
9	90340-12097-00	PLUG, STRAIGHT SCREW	1	
10	812-11198-00-00	GASKET	1	
11	91808-16023-00	PIN, DOWEL	2	
12	JN6-15411-00-00	COVER, CRANKCASE 1	1	
13	93306-20716-00	BEARING	1	
14	93102-35191-00	SEAL, OIL	1	
15	93306-20211-00	BEARING (6202SH2-C3)	1	
16	JN6-15451-02-00	GASKET, CRANKCASE COVER 1	1	
17	95817-08045-00	BOLT, FLANGE	6	
18	95817-10050-00	BOLT, FLANGE	2	
19	7EN-51118-00-00	PLUG, OIL	1	
20	93210-22344-00	O-RING	1	
21	J38-15361-00-00	GAUGE, LEVEL	1	

CONTENTS

ACCELERATOR	C2
AIR SHROUD FAN	A9
BODY 2 REAR	D2-3
BODY FITTING	D4
BODY FRONT	C12 ,D1
BRAKE	B10-11
BRAKE 2	B12
BRAKE 3	C1
BUMPER	C11
CAMSHAFT VALVE	A8
CARBURETOR	A11
CARRIER	D5
CRANKCASE	B1
CRANKSHAFT PISTON	A7
CYLINDER HEAD	A6
ELECTRICAL 1	D9
ELECTRICAL 2	D10-11
ENGINE ASSEMBLY	A5
ENGINE MOUNT	B2
EXHAUST	A12
FRAME	B4
FRONT SUSPENSION WHEEL	B5-6
FUEL TANK	B9
GOVERNOR	C3
INTAKE	A10
OPTIONAL HUB CAPS	D12
OPTIONAL LIGHT KIT	E3
OPTIONAL SUN ROOF	E2
OPTIONAL WINDSHIELD	E1
PRIMARY CLUTCH	C4
REAR ARM SUSPENSION	B3
REAR AXLE MOUNT WHEEL	C9
SEAT	D6
SECONDARY SHEAVE	C5
SHIFTER CABLES	C10
STARTER GENERATOR	D7-8
STEERING	B7-8
TRANSMISSION	C6-8



ENGINE MOUNT

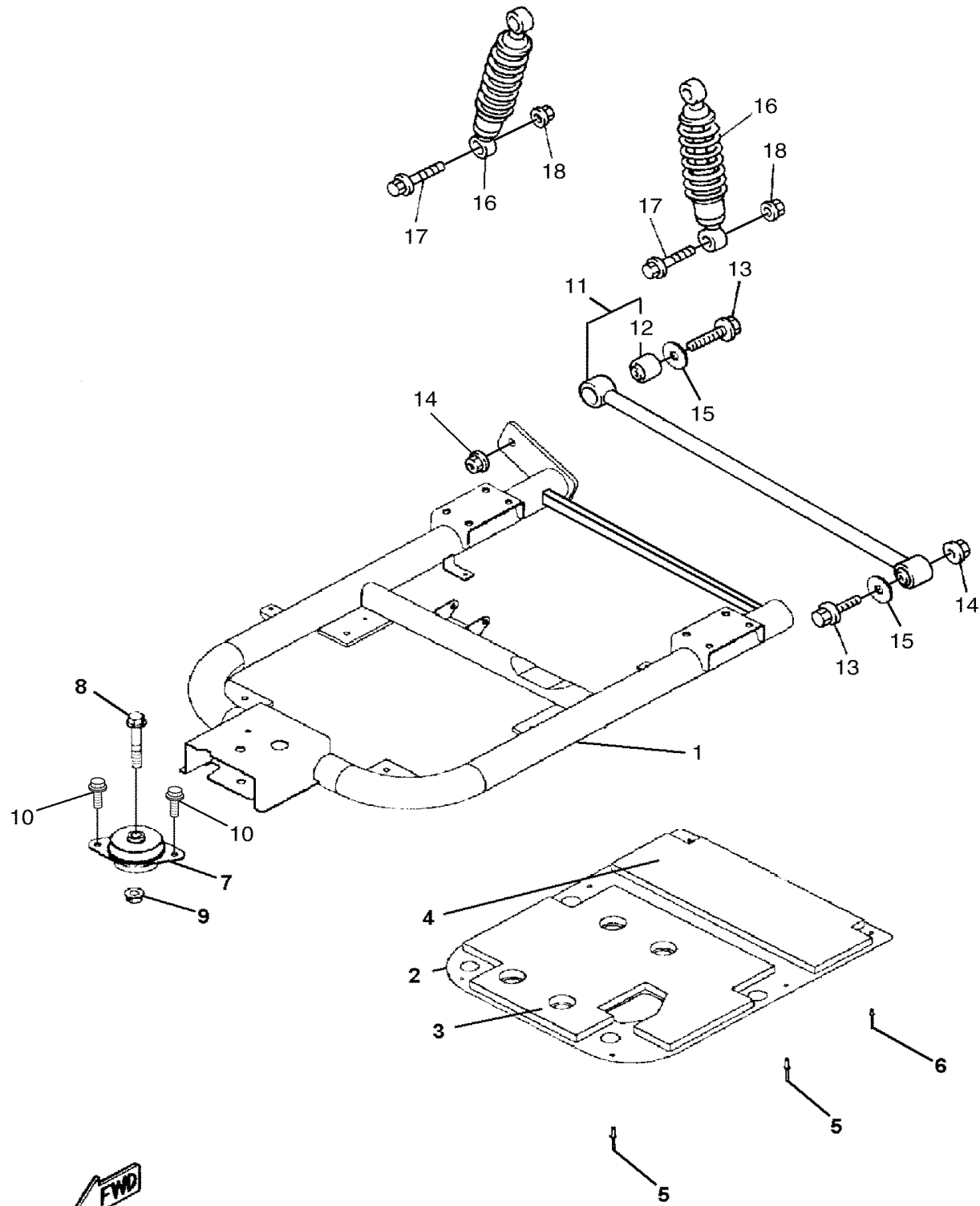


Ref. No.	Part Number	Description	Qty	Remarks
1	JN6-F1411-00-00	BRACKET, ENGINE 1	1	
2	JN6-F1419-02-00	BRACKET, ENGINE 2	1	
3	JN6-F1481-00-00	BOLT, ENGINE MOUNTING 1	4	
4	92907-10200-00	WASHER, PLAIN	4	
5	95607-10200-00	NUT, U FLANGE	4	
6	90101-08870-00	BOLT	4	
7	90201-088K6-00	WASHER, PLATE	4	
8	JN6-F1486-00-00	DAMPER, 2	8	
9	JN6-F1459-00-00	SPACER	2	
10	JN6-F1459-10-00	SPACER	2	
11	90185-08169-00	NUT, SELF-LOCKING	4	

CONTENTS

ACCELERATOR	C2
AIR SHROUD FAN	A9
BODY 2 REAR	D2-3
BODY FITTING	D4
BODY FRONT	C12 ,D1
BRAKE	B10-11
BRAKE 2	B12
BRAKE 3	C1
BUMPER	C11
CAMSHAFT VALVE	A8
CARBURETOR	A11
CARRIER	D5
CRANKCASE	B1
CRANKSHAFT PISTON	A7
CYLINDER HEAD	A6
ELECTRICAL 1	D9
ELECTRICAL 2	D10-11
ENGINE ASSEMBLY	A5
ENGINE MOUNT	B2
EXHAUST	A12
FRAME	B4
FRONT SUSPENSION WHEEL	B5-6
FUEL TANK	B9
GOVERNOR	C3
INTAKE	A10
OPTIONAL HUB CAPS	D12
OPTIONAL LIGHT KIT	E3
OPTIONAL SUN ROOF	E2
OPTIONAL WINDSHIELD	E1
PRIMARY CLUTCH	C4
REAR ARM SUSPENSION	B3
REAR AXLE MOUNT WHEEL	C9
SEAT	D6
SECONDARY SHEAVE	C5
SHIFTER CABLES	C10
STARTER GENERATOR	D7-8
STEERING	B7-8
TRANSMISSION	C6-8

REAR ARM SUSPENSION



JU0100-5100

Ref. No.	Part Number	Description	Qty	Remarks
1	JU0-F2110-00-00	REAR ARM COMP	1	
2	JN6-F2128-01-00	COVER, THRUST 1	1	
3	JN6-F211E-01-00	PANEL, INNER 1	1	
4	JN6-F211G-01-00	PANEL, INNER 2	1	
5	90267-48850-00	RIVET, BLIND	4	
6	90267-40851-00	RIVET, BLIND	2	
7	JN6-F2123-01-00	BUSHING, 1	1	
8	90105-13864-00	BOLT, FLANGE	1	
9	90179-13878-00	NUT	1	
10	9751P-10620-00	BOLT, WITH WASHER	2	
11	JN6-F217G-00-00	ROD, CONNECTING 2	1	
12	JN6-F2124-00-00	BUSHING, 2	2	
13	95817-12055-00	BOLT, FLANGE	2	
14	95617-12200-00	NUT, SELF-LOCKING	2	
15	90201-12426-00	WASHER, PLATE	2	
16	JN4-F2210-00-00	SHOCK ABSORBER ASSY, REAR	2	
17	95817-10055-00	BOLT, FLANGE	4	
18	95607-10200-00	NUT, U FLANGE	4	

CONTENTS

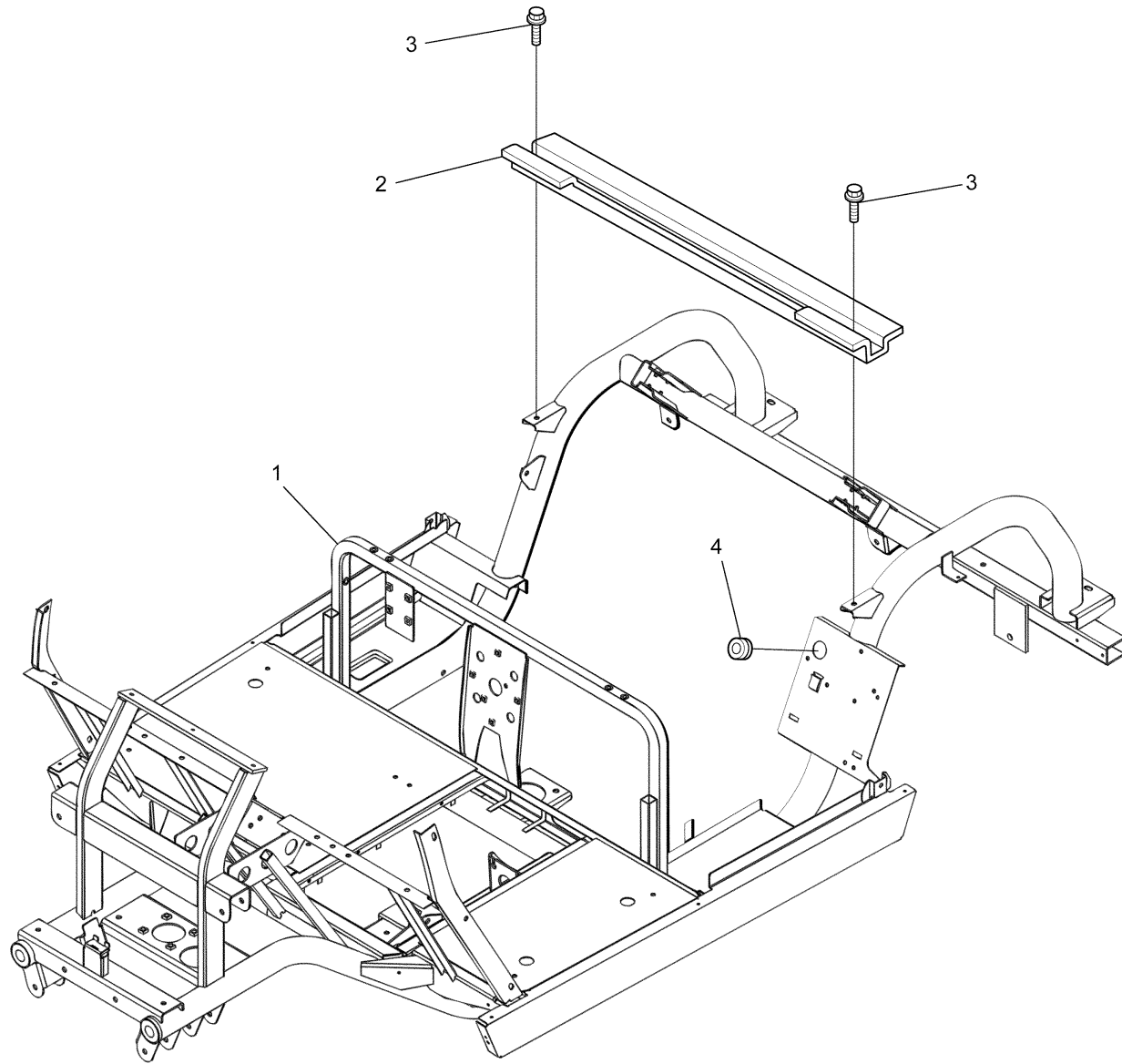
ACCELERATOR	C2
AIR SHROUD FAN	A9
BODY 2 REAR	D2-3
BODY FITTING	D4
BODY FRONT	C12 ,D1
BRAKE	B10-11
BRAKE 2	B12
BRAKE 3	C1
BUMPER	C11
CAMSHAFT VALVE	A8
CARBURETOR	A11
CARRIER	D5
CRANKCASE	B1
CRANKSHAFT PISTON	A7
CYLINDER HEAD	A6
ELECTRICAL 1	D9
ELECTRICAL 2	D10-11
ENGINE ASSEMBLY	A5
ENGINE MOUNT	B2
EXHAUST	A12
FRAME	B4
FRONT SUSPENSION WHEEL	B5-6
FUEL TANK	B9
GOVERNOR	C3
INTAKE	A10
OPTIONAL HUB CAPS	D12
OPTIONAL LIGHT KIT	E3
OPTIONAL SUN ROOF	E2
OPTIONAL WINDSHIELD	E1
PRIMARY CLUTCH	C4
REAR ARM SUSPENSION	B3
REAR AXLE MOUNT WHEEL	C9
SEAT	D6
SECONDARY SHEAVE	C5
SHIFTER CABLES	C10
STARTER GENERATOR	D7-8
STEERING	B7-8
TRANSMISSION	C6-8

FRAME

Ref. No.	Part Number	Description	Qty	Remarks
1	JU0-F2501-00-00	FRAME COMP.	1	
2	JU0-F254R-00-00	SUPPORT, BODY MOUNTING .	1	
3	95817-08016-00	BOLT, FLANGE	2	
4	90480-25856-00	GROMMET	1	

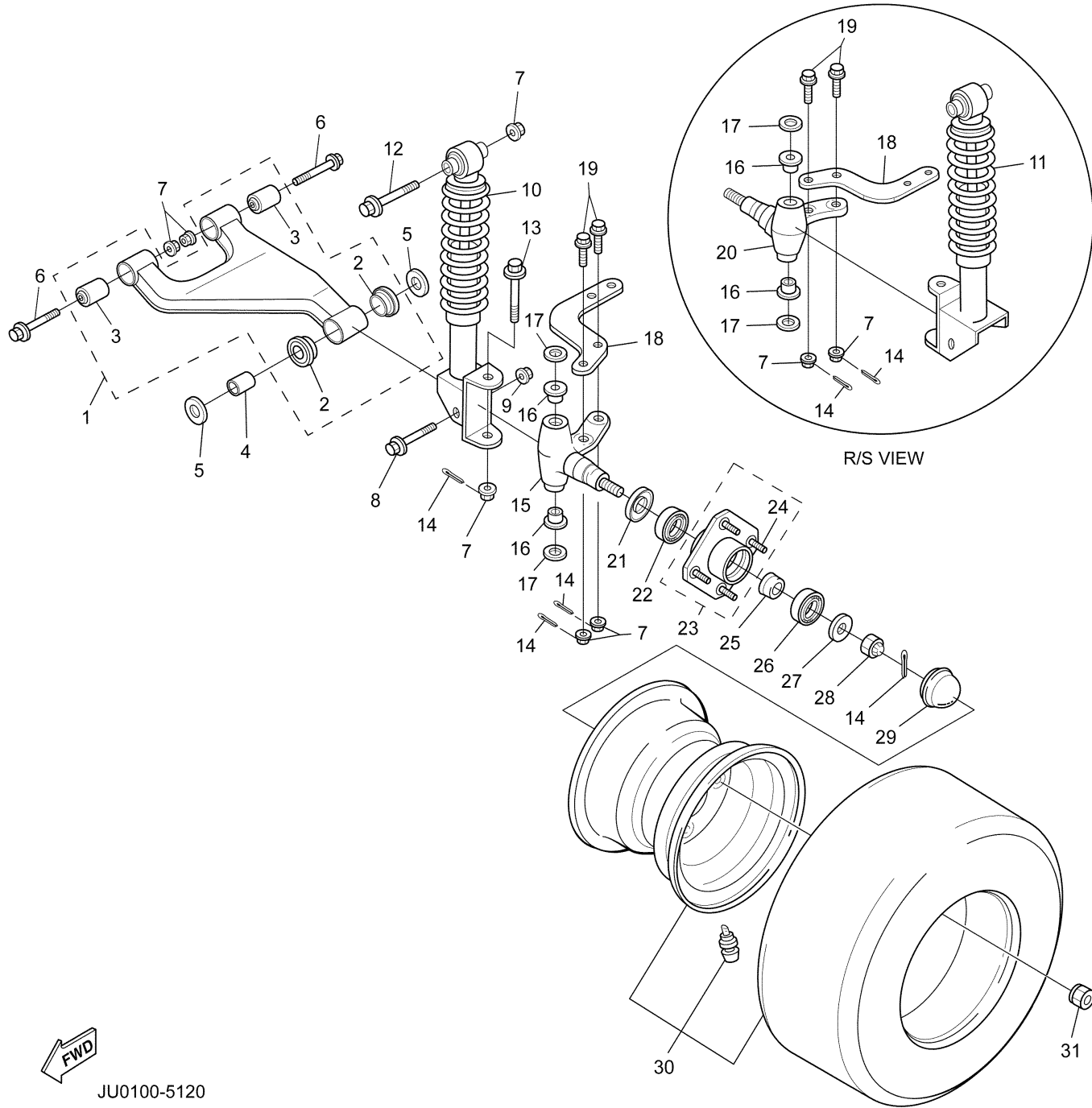
CONTENTS

ACCELERATOR	C2
AIR SHROUD FAN	A9
BODY 2 REAR	D2-3
BODY FITTING	D4
BODY FRONT	C12 ,D1
BRAKE	B10-11
BRAKE 2	B12
BRAKE 3	C1
BUMPER	C11
CAMSHAFT VALVE	A8
CARBURETOR	A11
CARRIER	D5
CRANKCASE	B1
CRANKSHAFT PISTON	A7
CYLINDER HEAD	A6
ELECTRICAL 1	D9
ELECTRICAL 2	D10-11
ENGINE ASSEMBLY	A5
ENGINE MOUNT	B2
EXHAUST	A12
FRAME	B4
FRONT SUSPENSION WHEEL	B5-6
FUEL TANK	B9
GOVERNOR	C3
INTAKE	A10
OPTIONAL HUB CAPS	D12
OPTIONAL LIGHT KIT	E3
OPTIONAL SUN ROOF	E2
OPTIONAL WINDSHIELD	E1
PRIMARY CLUTCH	C4
REAR ARM SUSPENSION	B3
REAR AXLE MOUNT WHEEL	C9
SEAT	D6
SECONDARY SHEAVE	C5
SHIFTER CABLES	C10
STARTER GENERATOR	D7-8
STEERING	B7-8
TRANSMISSION	C6-8



JU0100-5110

FRONT SUSPENSION WHEEL



Ref. No.	Part Number	Description	Qty	Remarks
1	JU0-F3570-20-00	FRONT LOWER ARM COMP. . .	2	FITS LS AND RS
2	90381-18001-00	. BUSH, SOLID	4	FITS LS AND RS
3	2HR-23526-00-00	. BUSH	4	FITS LS AND RS
4	90387-12016-00	COLLAR	2	
5	401-22128-01-00	COVER, THRUST 1	4	
6	90105-10890-00	BOLT, FLANGE	4	
7	95607-10200-00	NUT, U FLANGE	12	
8	95817-12080-00	BOLT, FLANGE	2	
9	9561P-12100-00	NUT	2	
10	JU0-F3350-10-00	CUSHION ASSY	1	
11	JU0-F3390-10-00	CUSHION ASSY 2	1	
12	95807-10065-00	BOLT, FLANGE	2	
13	90105-10064-00	BOLT, FLANGE	2	
14	91401-25020-00	PIN, COTTER	8	
15	JU0-F3511-00-00	KNUCKLE, STEERING 1	1	
16	90381-1767-00	BUSH, SOLID	4	
17	2NK-23517-00-00	COVER, THRUST 1	4	
18	JU0-F3512-00-00	ARM, KNUCKLE	2	
19	90105-10728-00	BOLT, FLANGE	4	
20	JU0-F3521-00-00	KNUCKLE, STEERING 2	1	
21	93102-30083-00	OIL SEAL	2	
22	93306-204X0-00	BEARING	2	
23	JG5-WF511-00-00	HUB	2	
24	90114-12800-00	BOLT, SERRATION	8	
25	90387-241M7-00	COLLAR	2	
26	93306-005Y3-00	BEARING	2	
27	90209-32832-00	WASHER	2	
28	95607-14100-00	NUT, U	2	
29	JN6-F5118-00-00	COVER, HUB DUST	2	
30	JN6-F5100-00-00	WHEEL ASSY	2	

CONTENTS

ACCELERATOR	C2
AIR SHROUD FAN	A9
BODY 2 REAR	D2-3
BODY FITTING	D4
BODY FRONT	C12 ,D1
BRAKE	B10-11
BRAKE 2	B12
BRAKE 3	C1
BUMPER	C11
CAMSHAFT VALVE	A8
CARBURETOR	A11
CARRIER	D5
CRANKCASE	B1
CRANKSHAFT PISTON	A7
CYLINDER HEAD	A6
ELECTRICAL 1	D9
ELECTRICAL 2	D10-11
ENGINE ASSEMBLY	A5
ENGINE MOUNT	B2
EXHAUST	A12
FRAME	B4
FRONT SUSPENSION WHEEL	B5-6
FUEL TANK	B9
GOVERNOR	C3
INTAKE	A10
OPTIONAL HUB CAPS	D12
OPTIONAL LIGHT KIT	E3
OPTIONAL SUN ROOF	E2
OPTIONAL WINDSHIELD	E1
PRIMARY CLUTCH	C4
REAR ARM SUSPENSION	B3
REAR AXLE MOUNT WHEEL	C9
SEAT	D6
SECONDARY SHEAVE	C5
SHIFTER CABLES	C10
STARTER GENERATOR	D7-8
STEERING	B7-8
TRANSMISSION	C6-8

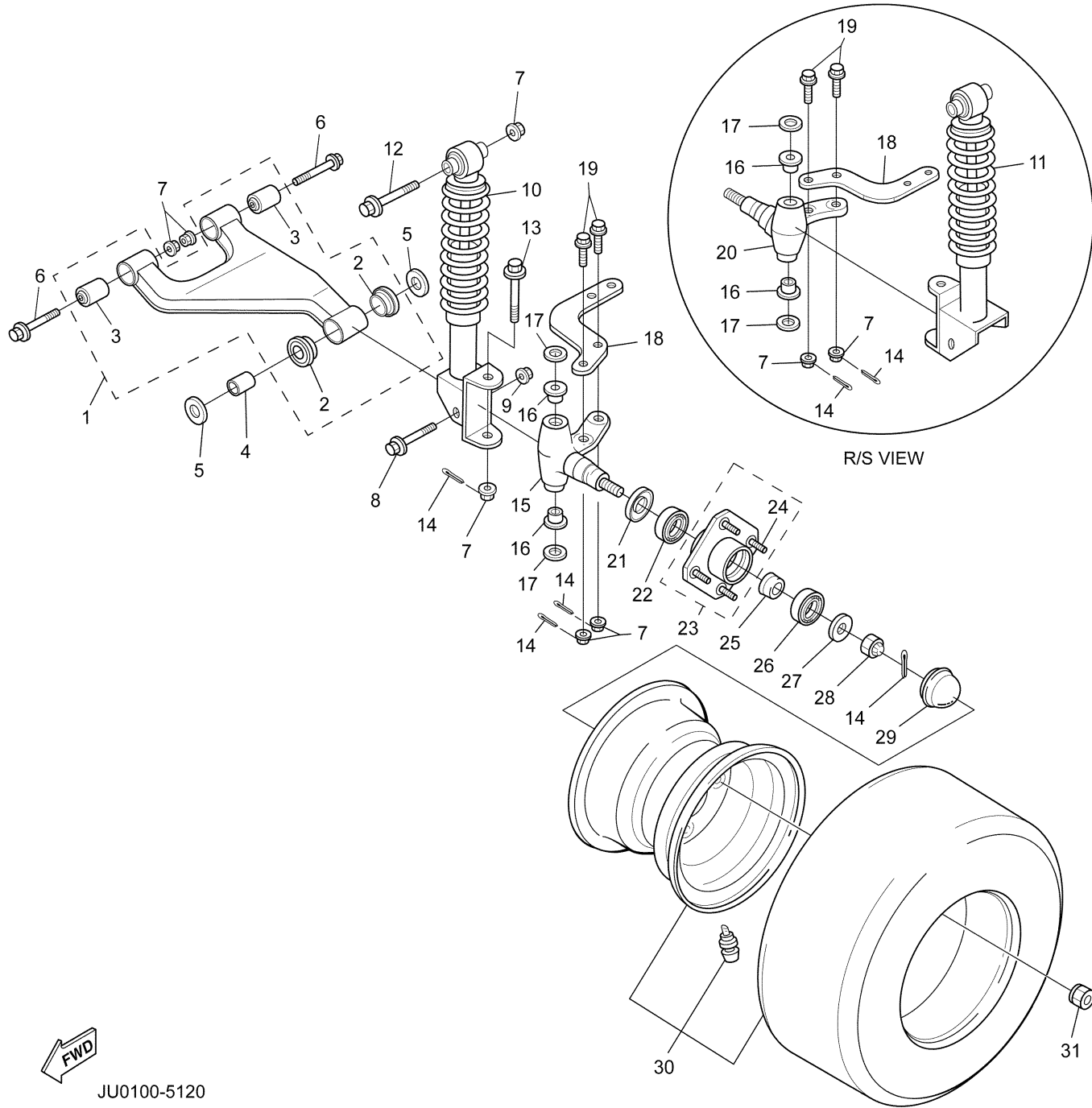
CONTINUED ON NEXT FRAME ►

FRONT SUSPENSION WHEEL

Ref. No.	Part Number	Description	Qty	Remarks
31	90179-12262-00	NUT	8	

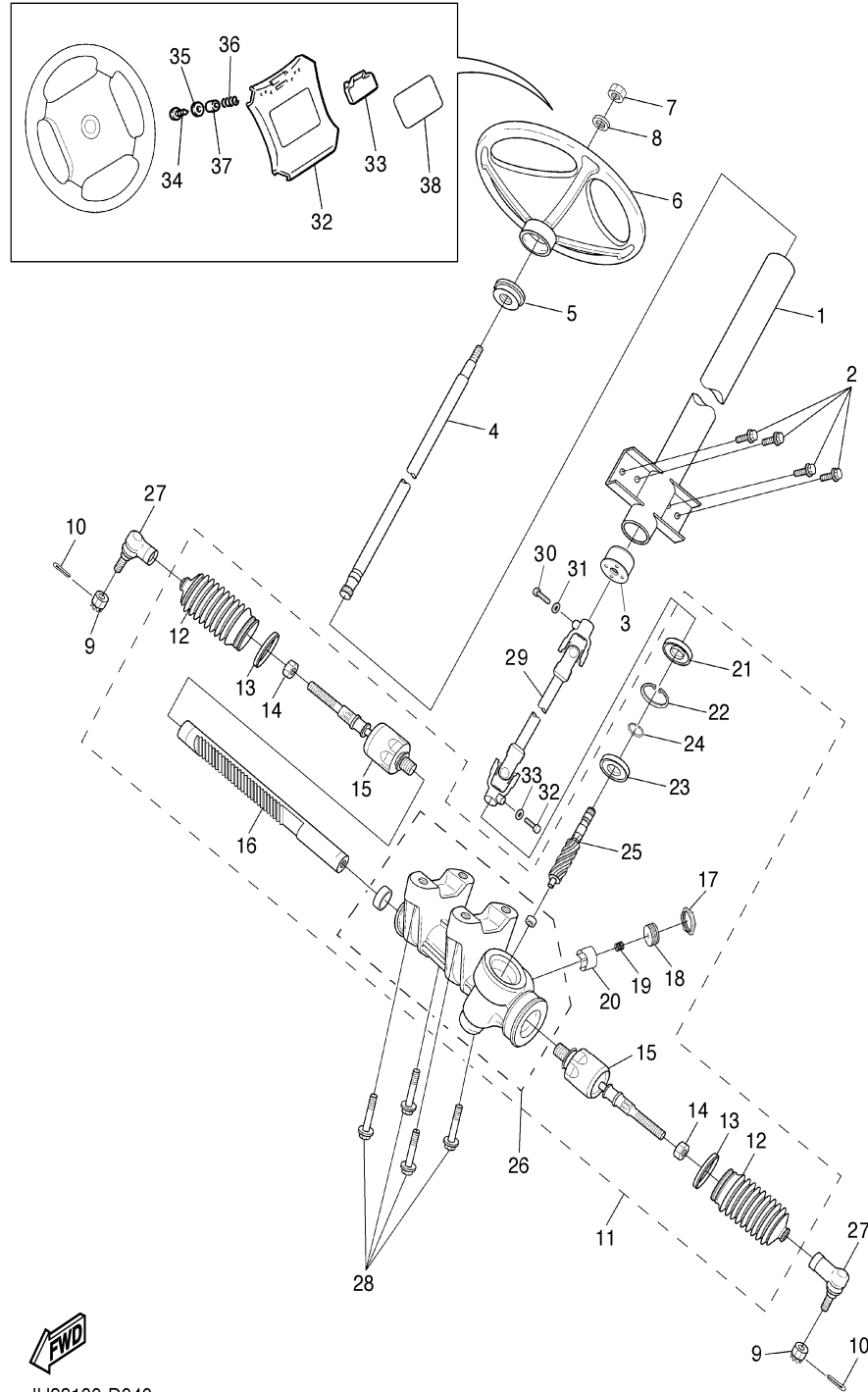
CONTENTS

ACCELERATOR	C2
AIR SHROUD FAN	A9
BODY 2 REAR	D2-3
BODY FITTING	D4
BODY FRONT	C12 ,D1
BRAKE	B10-11
BRAKE 2	B12
BRAKE 3	C1
BUMPER	C11
CAMSHAFT VALVE	A8
CARBURETOR	A11
CARRIER	D5
CRANKCASE	B1
CRANKSHAFT PISTON	A7
CYLINDER HEAD	A6
ELECTRICAL 1	D9
ELECTRICAL 2	D10-11
ENGINE ASSEMBLY	A5
ENGINE MOUNT	B2
EXHAUST	A12
FRAME	B4
FRONT SUSPENSION WHEEL	B5-6
FUEL TANK	B9
GOVERNOR	C3
INTAKE	A10
OPTIONAL HUB CAPS	D12
OPTIONAL LIGHT KIT	E3
OPTIONAL SUN ROOF	E2
OPTIONAL WINDSHIELD	E1
PRIMARY CLUTCH	C4
REAR ARM SUSPENSION	B3
REAR AXLE MOUNT WHEEL	C9
SEAT	D6
SECONDARY SHEAVE	C5
SHIFTER CABLES	C10
STARTER GENERATOR	D7-8
STEERING	B7-8
TRANSMISSION	C6-8



B6

STEERING



Ref. No.	Part Number	Description	Qty	Remarks
1	JU0-F3811-00-00	COLUMN, STEERING	1	
2	9581P-08016-00	BOLT, FLANGE	4	
3	JU0-F3857-00-00	HOLDER	1	
4	JU0-F3828-00-00	ROD, STEERING	1	
5	JN3-F3814-00-00	HOLDER, HANDLE UPPER	1	
6	JN3-F3838-00-00	WHEEL, STEERING	1	
7	90185-12061-00	NUT, SELF-LOCKING	1	
8	9290P-12200-00	WASHER	1	
9	95607-12200-00	NUT, SELF-LOCKING	2	
10	91401-25020-00	PIN, COTTER	2	
11	JU0-F3400-00-00	STEERING ASSY	1	
12	JU0-F3848-00-00	. BOOT	2	
13	JU0-F1338-00-00	. CLAMP	2	
14	JU0-F3833-00-00	. NUT 1	2	
15	JU0-F3837-00-00	. ROD, TIE 2	2	
16	JU0-F387E-00-00	. GEAR, RACK	1	
17	JU0-F3834-00-00	. NUT 2	1	
18	JU0-F387G-00-00	. COVER, ADJUST	1	
19	JU0-F387K-00-00	. SPRING, PRESSURE	1	
20	JU0-F387F-00-00	. PAD, PRESSURE	1	
21	JU0-F3844-00-00	. SEAL	1	
22	JU0-F387J-00-00	. RING, STOPPER	1	
23	JU0-F339Y-00-00	. BEARING	1	
24	JU0-F3183-00-00	. CIRCLIP	1	
25	JU0-F387A-00-00	. GEAR, PINION	1	
26	JU0-F620A-00-00	. HOUSING, MAIN 1	1	
27	JU0-F3841-00-00	JOINT, UNIVERSAL 1	2	
28	90105-10810-00	BOLT, FLANGE	4	
29	JU0-F3822-00-00	JOINT 1	1	
30	97017-08030-00	BOLT	2	

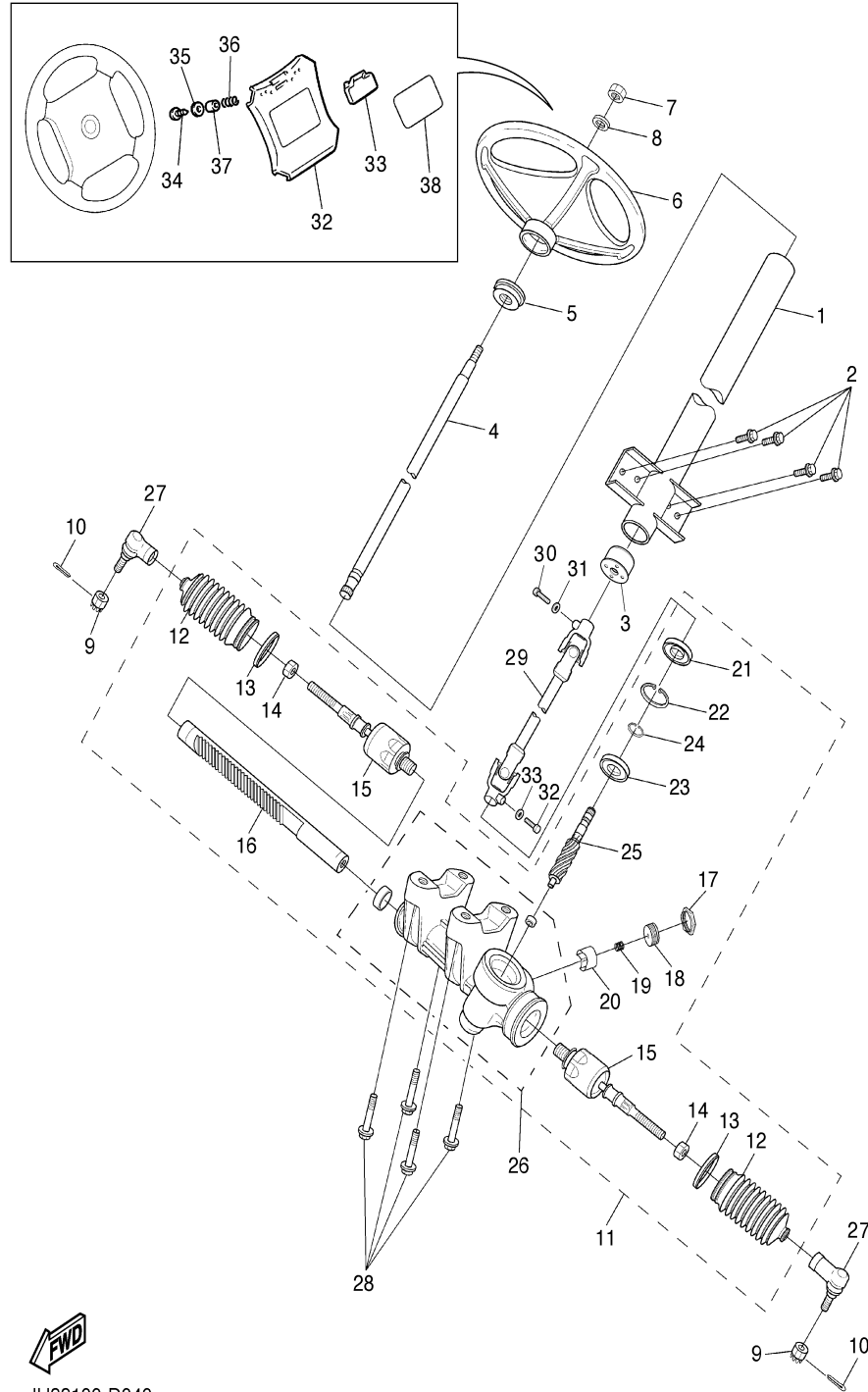
CONTENTS

ACCELERATOR	C2
AIR SHROUD & FAN	A9
BODY	C12
BODY 2	D1-2
BODY FITTING	D3
BRAKE	B10-11
BRAKE 2	B12
BRAKE 3	C1
BUMPER	C11
CAMSHAFT & VALVE	A8
CARBURETOR	A11
CARRIER	D4
CRANKCASE	B1
CRANKSHAFT & PISTON	A7
CYLINDER HEAD	A6
ELECTRICAL 1	D8
ELECTRICAL 2	D9-10
ENGINE ASSEMBLY	A5
ENGINE BRACKET	B2
EXHAUST	A12
FRAME	B4
FRONT SUSPENSION & WHEEL	B5-6
FUEL TANK	B9
GOVERNOR	C3
INTAKE	A10
OPTIONAL LIGHT KIT	E1-2
OPTIONAL SUN ROOF	D12
OPTIONAL WINDSHIELD	D11
PRIMARY SHEAVE	C4
REAR ARM & SUSPENSION	B3
REAR AXLE MOUNT & WHEEL	C9
SEAT	D5
SECONDARY SHEAVE	C5
SHIFTER & CABLES	C10
STARTING MOTOR	D6-7
STEERING	B7-8
TRANSMISSION 1	C6-8

CONTINUED ON NEXT FRAME ►



STEERING



Ref. No.	Part Number	Description	Qty	Remarks
31	92907-08600-00	WASHER, PLATE	2	
32	JN3-K8357-00-00	HOLDER 1	1	
33	JN6-K8358-01-00	HOLDER 2	1	
34	97707-40525-00	SCREW, TAPPING	2	
35	90201-048R5-00	WASHER, PLATE	2	
36	90502-10013-00	SPRING, CONICAL	2	
37	90387-046N7-00	COLLAR	2	
38	JU0-K7762-00-00	LABEL, WARNING 2 (E)	1	

CONTENTS

ACCELERATOR	C2
AIR SHROUD & FAN	A9
BODY	C12
BODY 2	D1-2
BODY FITTING	D3
BRAKE	B10-11
BRAKE 2	B12
BRAKE 3	C1
BUMPER	C11
CAMSHAFT & VALVE	A8
CARBURETOR	A11
CARRIER	D4
CRANKCASE	B1
CRANKSHAFT & PISTON	A7
CYLINDER HEAD	A6
ELECTRICAL 1	D8
ELECTRICAL 2	D9-10
ENGINE ASSEMBLY	A5
ENGINE BRACKET	B2
EXHAUST	A12
FRAME	B4
FRONT SUSPENSION & WHEEL	B5-6
FUEL TANK	B9
GOVERNOR	C3
INTAKE	A10
OPTIONAL LIGHT KIT	E1-2
OPTIONAL SUN ROOF	D12
OPTIONAL WINDSHIELD	D11
PRIMARY SHEAVE	C4
REAR ARM & SUSPENSION	B3
REAR AXLE MOUNT & WHEEL	C9
SEAT	D5
SECONDARY SHEAVE	C5
SHIFTER & CABLES	C10
STARTING MOTOR	D6-7
STEERING	B7-8
TRANSMISSION 1	C6-8



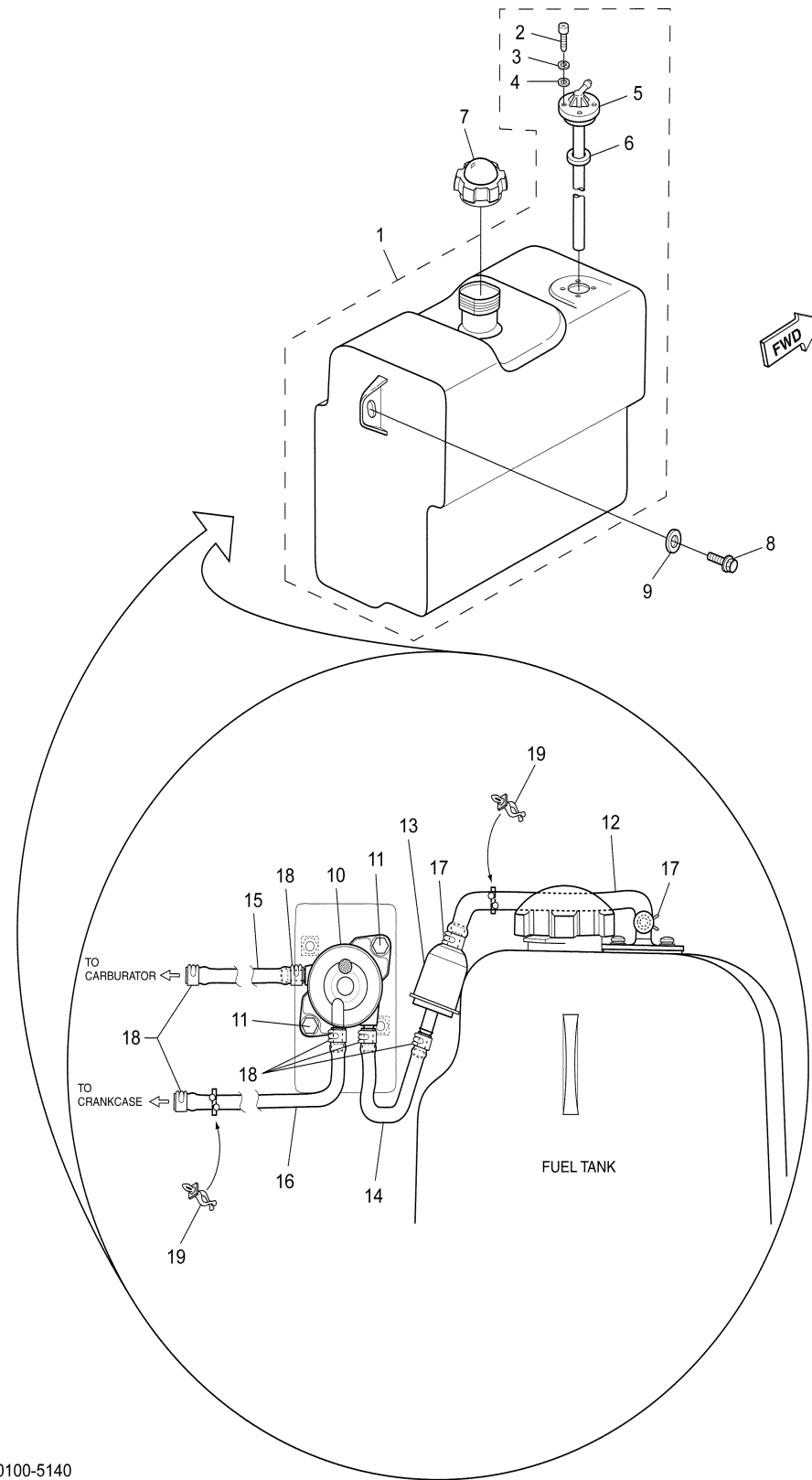
JU22100-D040

FUEL TANK

Ref. No.	Part Number	Description	Qty	Remarks
1	JN6-F4110-01-00	FUEL TANK COMP.	1	
2	98507-05014-00	. SCREW, PAN HEAD	4	
3	92907-05100-00	. WASHER, SPRING	4	
4	92907-05600-00	. WASHER, PLATE	4	
5	JN3-F4300-02-00	. FUEL PIPE JOINT	1	
6	93210-228C4-00	. O-RING	1	
7	JN6-F4610-00-00	CAP ASSY	1	
8	90105-08878-00	BOLT, FLANGE	2	
9	90506-08251-00	SPACER	2	
10	JN6-F4410-10-00	FUEL PUMP ASSY	1	
11	JN6-F3394-00-00	BOLT, SPECIAL	2	
12	JN6-F4312-00-00	PIPE, 2	1	
13	JN6-F4560-00-00	FILTER ASSY	1	
14	JN6-F4311-10-00	PIPE, FUEL	1	
15	JN6-F4313-10-00	PIPE, 3	1	
16	JN6-F4314-10-00	PIPE, 4	1	
17	90467-12845-00	CLIP	2	RED
18	90467-10846-00	CLIP	6	GREEN
19	90464-11816-00	CLAMP	2	

CONTENTS

ACCELERATOR	C2
AIR SHROUD FAN	A9
BODY 2 REAR	D2-3
BODY FITTING	D4
BODY FRONT	C12 ,D1
BRAKE	B10-11
BRAKE 2	B12
BRAKE 3	C1
BUMPER	C11
CAMSHAFT VALVE	A8
CARBURETOR	A11
CARRIER	D5
CRANKCASE	B1
CRANKSHAFT PISTON	A7
CYLINDER HEAD	A6
ELECTRICAL 1	D9
ELECTRICAL 2	D10-11
ENGINE ASSEMBLY	A5
ENGINE MOUNT	B2
EXHAUST	A12
FRAME	B4
FRONT SUSPENSION WHEEL	B5-6
FUEL TANK	B9
GOVERNOR	C3
INTAKE	A10
OPTIONAL HUB CAPS	D12
OPTIONAL LIGHT KIT	E3
OPTIONAL SUN ROOF	E2
OPTIONAL WINDSHIELD	E1
PRIMARY CLUTCH	C4
REAR ARM SUSPENSION	B3
REAR AXLE MOUNT WHEEL	C9
SEAT	D6
SECONDARY SHEAVE	C5
SHIFTER CABLES	C10
STARTER GENERATOR	D7-8
STEERING	B7-8
TRANSMISSION	C6-8

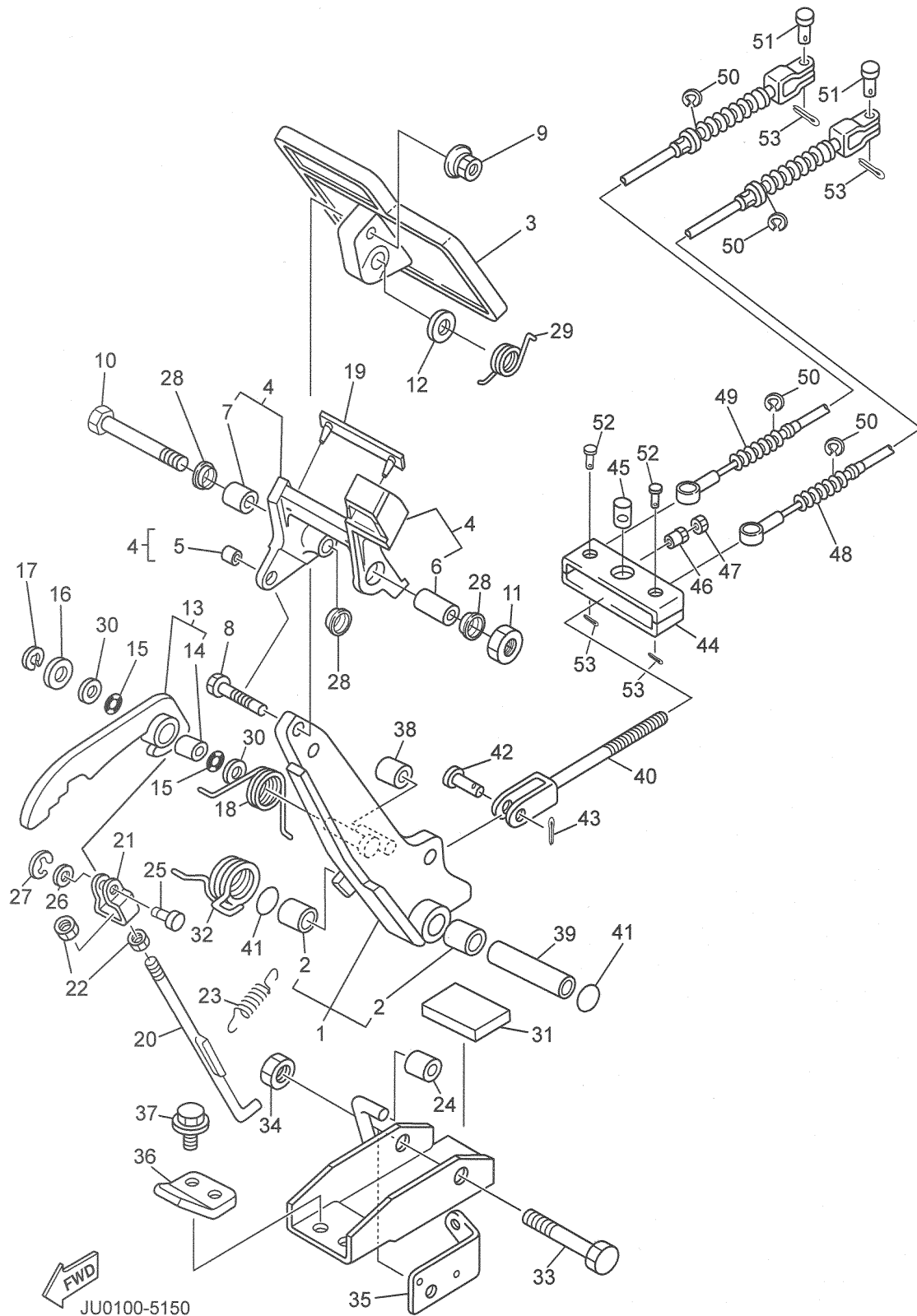


JU0100-5140

G22AY

B9

BRAKE



Ref. No.	Part Number	Description	Qty	Remarks
1	J46-27250-03-00	BRAKE ARM COMP.	1	
2	90384-14080-00	. BUSH, BIMETAL FORMED ...	2	
3	JU0-27211-01-00	PEDAL, BRAKE	1	
4	JU0-25671-00-00	PEDAL, PARKING BRAKE	1	
5	90384-05163-00	. BUSH, BIMETAL	1	
6	90387-08014-00	COLLAR	1	
7	90387-08013-00	COLLAR	1	
8	97017-06035-00	BOLT, HEX	1	
9	90179-06387-00	NUT	1	
10	97027-08100-00	BOLT	1	
11	95337-08600-00	NUT	1	
12	92907-08200-00	WASHER	1	
13	J17-25666-02-00	SECTOR, PARKING BRAKE ..	1	
14	90384-10162-00	. BUSH, BIMETAL FORMED ...	1	
15	J17-27221-00-00	SEAL, SHAFT	2	
16	92907-10600-00	WASHER, PLATE	1	
17	99080-07600-00	CIRCLIP (E)	1	
18	90508-14548-00	SPRING, TORSION	1	
19	J17-25672-01-00	PAD, PARKING PEDAL	1	
20	J17-27231-03-00	ROD, BRAKE	1	
21	J17-27232-00-00	END, ROD 2	1	
22	95317-06700-00	NUT	2	
23	90508-08526-00	SPRING, TENSION	1	
24	J17-25673-00-00	DAMPER, BRAKE	1	
25	J17-27228-00-00	PIN, JOINT	1	
26	92907-05600-00	WASHER, PLATE	1	
27	99080-04600-00	CIRCLIP	1	
28	90387-12009-00	COLLAR	3	
29	90508-32015-00	SPRING, TORSION	1	
30	92907-08200-00	WASHER	2	

CONTENTS

ACCELERATOR	C2
AIR SHROUD FAN	A9
BODY 2 REAR	D2-3
BODY FITTING	D4
BODY FRONT	C12 ,D1
BRAKE	B10-11
BRAKE 2	B12
BRAKE 3	C1
BUMPER	C11
CAMSHAFT VALVE	A8
CARBURETOR	A11
CARRIER	D5
CRANKCASE	B1
CRANKSHAFT PISTON	A7
CYLINDER HEAD	A6
ELECTRICAL 1	D9
ELECTRICAL 2	D10-11
ENGINE ASSEMBLY	A5
ENGINE MOUNT	B2
EXHAUST	A12
FRAME	B4
FRONT SUSPENSION WHEEL	B5-6
FUEL TANK	B9
GOVERNOR	C3
INTAKE	A10
OPTIONAL HUB CAPS	D12
OPTIONAL LIGHT KIT	E3
OPTIONAL SUN ROOF	E2
OPTIONAL WINDSHIELD	E1
PRIMARY CLUTCH	C4
REAR ARM SUSPENSION	B3
REAR AXLE MOUNT WHEEL	C9
SEAT	D6
SECONDARY SHEAVE	C5
SHIFTER CABLES	C10
STARTER GENERATOR	D7-8
STEERING	B7-8
TRANSMISSION	C6-8

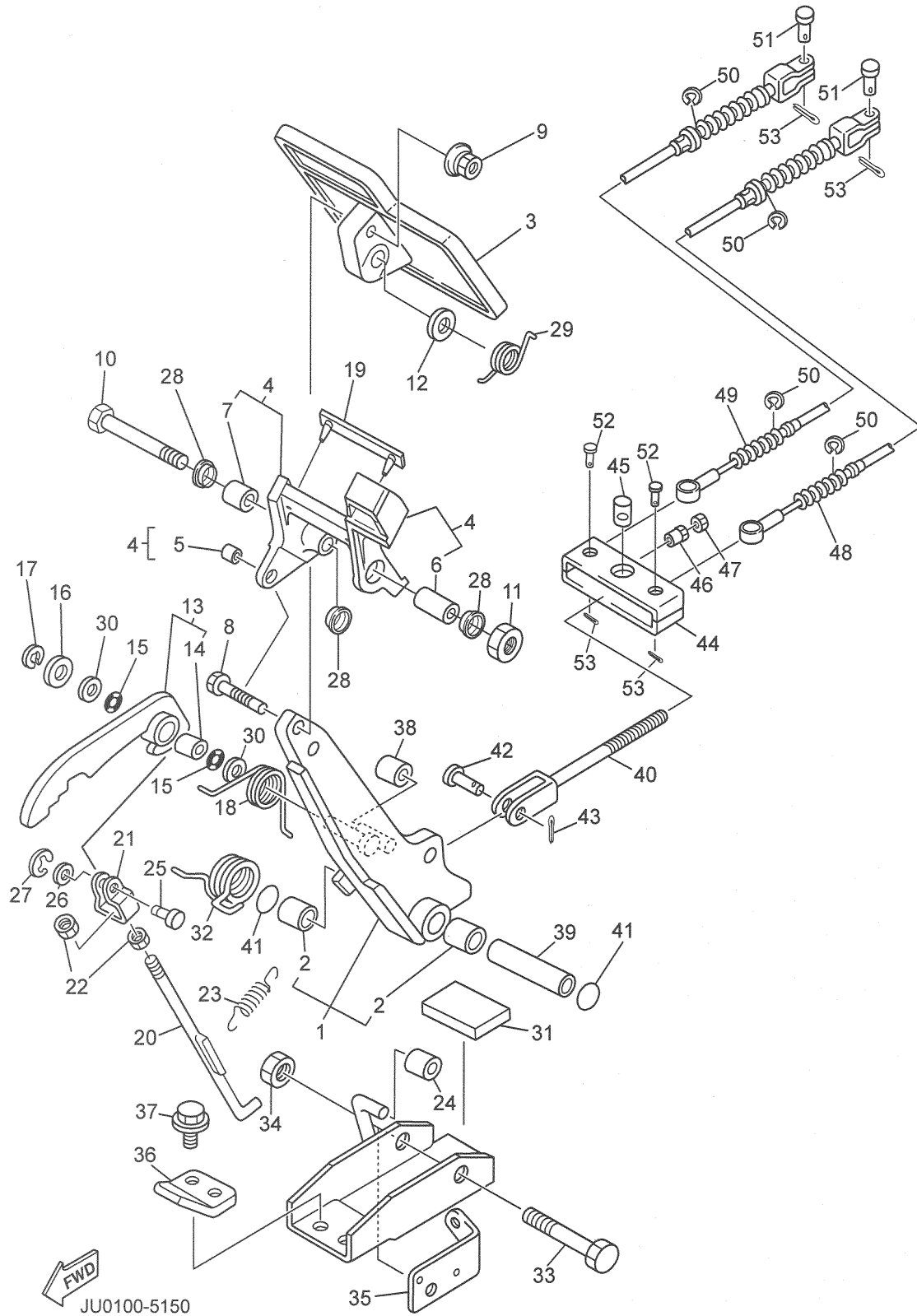
CONTINUED ON NEXT FRAME ►

BRAKE

Ref. No.	Part Number	Description	Qty	Remarks
31	JN3-F7245-00-00	PAD, BRAKE PEDAL	1	
32	90508-40007-00	SPRING, TORSION	1	
33	90101-10884-00	BOLT	1	
34	95607-10200-00	NUT, U FLANGE	1	
35	J55-2252M-00-00	BRACKET, 3	1	
36	J17-27246-00-00	NAIL, BRAKE	1	
37	90105-08878-00	BOLT, FLANGE	2	
38	J17-25673-00-00	DAMPER, BRAKE	1	
39	90387-107F8-00	COLLAR	1	
40	JN6-F5685-00-00	ROD	1	
41	93210-14104-00	O-RING	2	
42	91701-10022-00	PIN, CLEVIS	1	
43	91490-30020-00	PIN, COTTER	1	
44	JN6-F5681-00-00	EQUALIZER, BRAKE	1	
45	90249-14129-00	PIN	1	
46	90179-08894-00	NUT	1	
47	95317-08700-00	NUT	1	
48	JU0-F6341-00-00	CABLE, BRAKE	1	
49	JU0-F6351-00-00	CABLE, BRAKE	1	
50	99001-09600-00	CIRCLIP	4	
51	91701-08018-00	PIN, CLEVIS	2	
52	91701-08026-00	PIN, CLEVIS	2	
53	91490-25020-00	PIN, COTTER	4	

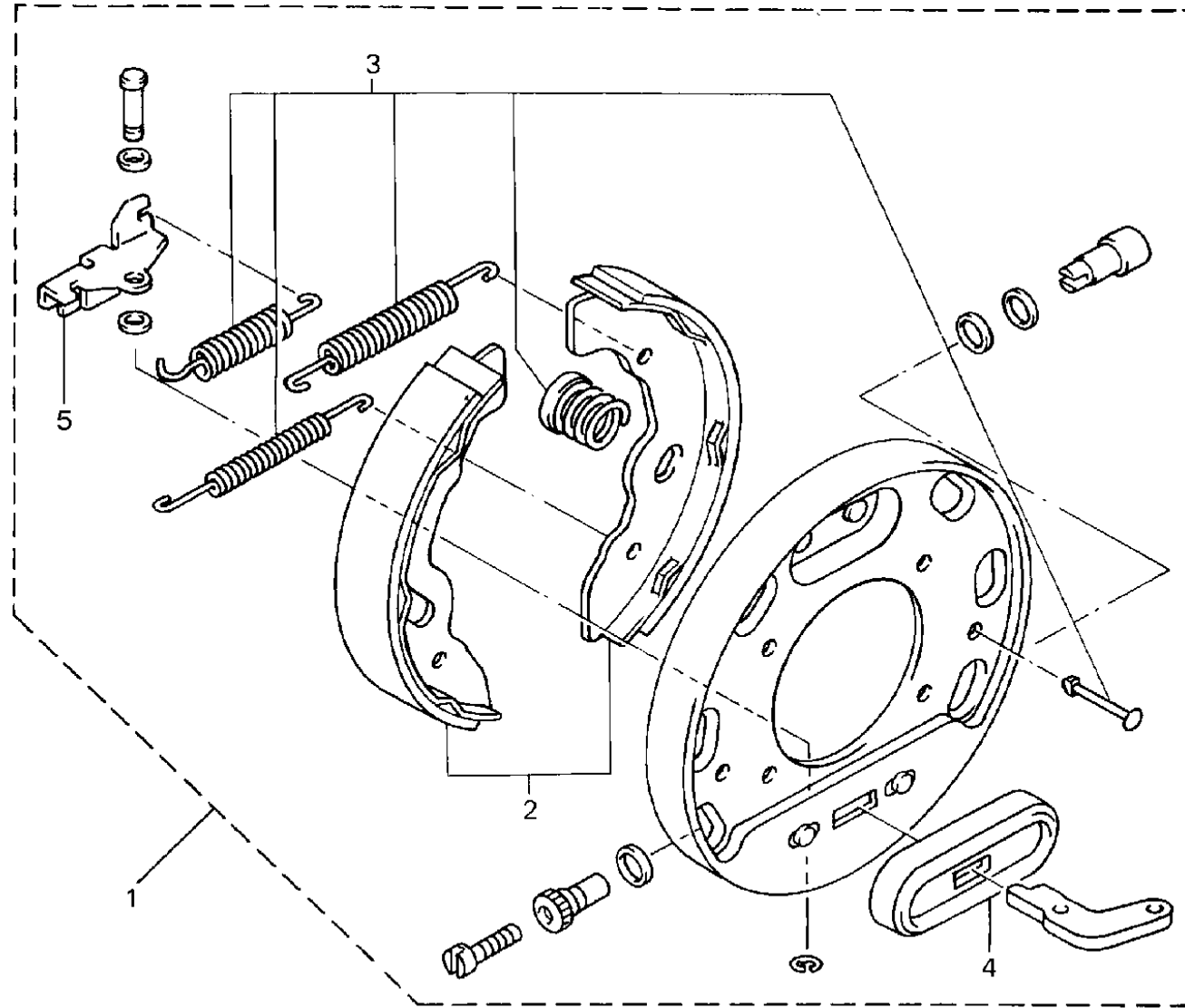
CONTENTS

ACCELERATOR	C2
AIR SHROUD FAN	A9
BODY 2 REAR	D2-3
BODY FITTING	D4
BODY FRONT	C12 ,D1
BRAKE	B10-11
BRAKE 2	B12
BRAKE 3	C1
BUMPER	C11
CAMSHAFT VALVE	A8
CARBURETOR	A11
CARRIER	D5
CRANKCASE	B1
CRANKSHAFT PISTON	A7
CYLINDER HEAD	A6
ELECTRICAL 1	D9
ELECTRICAL 2	D10-11
ENGINE ASSEMBLY	A5
ENGINE MOUNT	B2
EXHAUST	A12
FRAME	B4
FRONT SUSPENSION WHEEL	B5-6
FUEL TANK	B9
GOVERNOR	C3
INTAKE	A10
OPTIONAL HUB CAPS	D12
OPTIONAL LIGHT KIT	E3
OPTIONAL SUN ROOF	E2
OPTIONAL WINDSHIELD	E1
PRIMARY CLUTCH	C4
REAR ARM SUSPENSION	B3
REAR AXLE MOUNT WHEEL	C9
SEAT	D6
SECONDARY SHEAVE	C5
SHIFTER CABLES	C10
STARTER GENERATOR	D7-8
STEERING	B7-8
TRANSMISSION	C6-8



BRAKE 2

Ref. No.	Part Number	Description	Qty	Remarks
1	JN6-F7280-03-00	BACKING PLATE ASSY 1	1	(FOR RIGHT WHEEL ONLY)
2	JN6-F5331-01-00	. SHOE, BRAKE 2	1	(FOR ONE WHEEL)
3	JG5-F819G-00-00	. REPAIR PARTS KIT	1	
4	JG5-F7286-00-00	. COVER, DUST	1	
5	JN6-F722F-00-00	LEVER, ADJUSTOR (RH)	1	



JN4100-5061

CONTENTS

ACCELERATOR	C2
AIR SHROUD FAN	A9
BODY 2 REAR	D2-3
BODY FITTING	D4
BODY FRONT	C12 ,D1
BRAKE	B10-11
BRAKE 2	B12
BRAKE 3	C1
BUMPER	C11
CAMSHAFT VALVE	A8
CARBURETOR	A11
CARRIER	D5
CRANKCASE	B1
CRANKSHAFT PISTON	A7
CYLINDER HEAD	A6
ELECTRICAL 1	D9
ELECTRICAL 2	D10-11
ENGINE ASSEMBLY	A5
ENGINE MOUNT	B2
EXHAUST	A12
FRAME	B4
FRONT SUSPENSION WHEEL	B5-6
FUEL TANK	B9
GOVERNOR	C3
INTAKE	A10
OPTIONAL HUB CAPS	D12
OPTIONAL LIGHT KIT	E3
OPTIONAL SUN ROOF	E2
OPTIONAL WINDSHIELD	E1
PRIMARY CLUTCH	C4
REAR ARM SUSPENSION	B3
REAR AXLE MOUNT WHEEL	C9
SEAT	D6
SECONDARY SHEAVE	C5
SHIFTER CABLES	C10
STARTER GENERATOR	D7-8
STEERING	B7-8
TRANSMISSION	C6-8

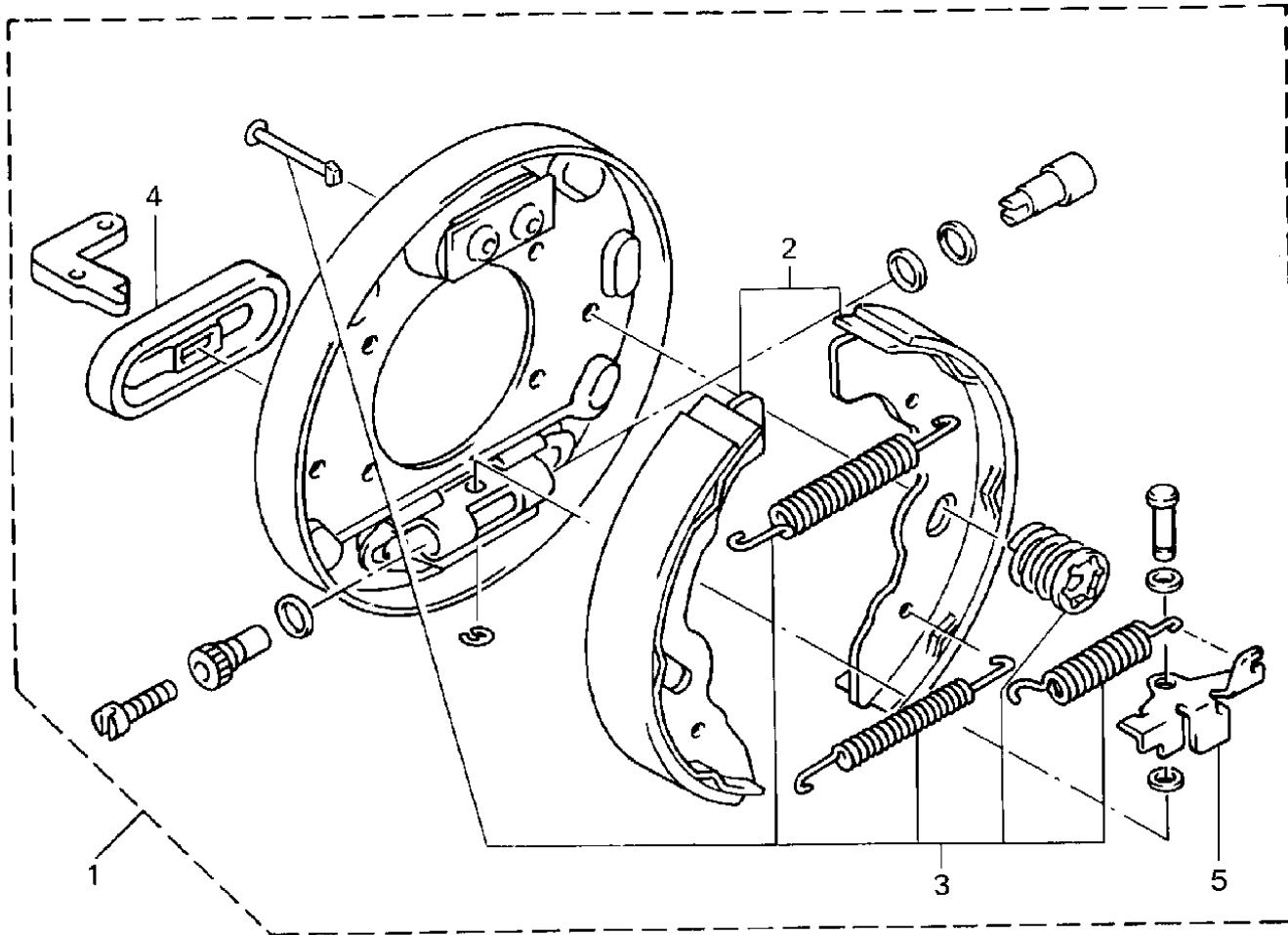
B12

BRAKE 3

Ref. No.	Part Number	Description	Qty	Remarks
1	JN6-F7290-03-00	BACKING PLATE ASSY 2 1	(FOR LEFT WHEEL ONLY)
2	JN6-F5331-01-00	. SHOE, BRAKE 2 1	(FOR ONE WHEEL)
3	JG5-F819G-00-00	. REPAIR PARTS KIT 1	
4	JG5-F7286-00-00	. COVER, DUST 1	
5	JN6-F722E-00-00	LEVER, ADJUSTOR (LH) 1	

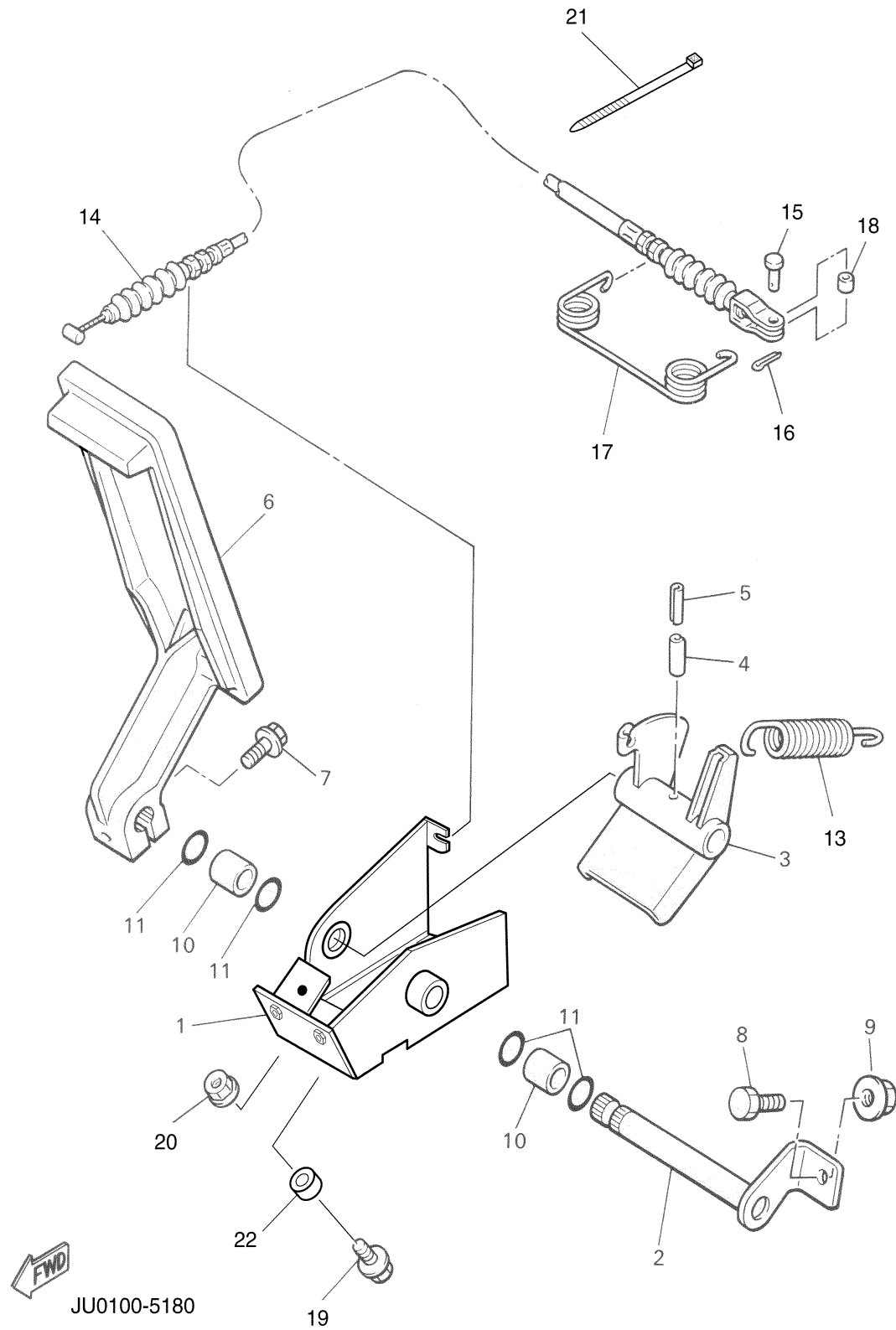
CONTENTS

ACCELERATOR	C2
AIR SHROUD FAN	A9
BODY 2 REAR	D2-3
BODY FITTING	D4
BODY FRONT	C12 ,D1
BRAKE	B10-11
BRAKE 2	B12
BRAKE 3	C1
BUMPER	C11
CAMSHAFT VALVE	A8
CARBURETOR	A11
CARRIER	D5
CRANKCASE	B1
CRANKSHAFT PISTON	A7
CYLINDER HEAD	A6
ELECTRICAL 1	D9
ELECTRICAL 2	D10-11
ENGINE ASSEMBLY	A5
ENGINE MOUNT	B2
EXHAUST	A12
FRAME	B4
FRONT SUSPENSION WHEEL	B5-6
FUEL TANK	B9
GOVERNOR	C3
INTAKE	A10
OPTIONAL HUB CAPS	D12
OPTIONAL LIGHT KIT	E3
OPTIONAL SUN ROOF	E2
OPTIONAL WINDSHIELD	E1
PRIMARY CLUTCH	C4
REAR ARM SUSPENSION	B3
REAR AXLE MOUNT WHEEL	C9
SEAT	D6
SECONDARY SHEAVE	C5
SHIFTER CABLES	C10
STARTER GENERATOR	D7-8
STEERING	B7-8
TRANSMISSION	C6-8



JN4100-5071

ACCELERATOR



Ref. No.	Part Number	Description	Qty	Remarks
1	JN6-F7874-01-00	BRACKET, ACCELERATOR PEDAL	1	
2	J17-27853-01-00	SHAFT, PEDAL 1	1	
3	J38-27872-00-00	ARM, ACCELERATOR PEDAL .	1	
4	91609-60028-00	PIN, SPRING	1	
5	91609-35028-00	PIN, SPRING	1	
6	JF3-27871-00-00	PEDAL, ACCELERATOR	1	
7	95817-06025-00	BOLT, FLANGE	1	
8	90106-08040-00	BOLT, RD HEX	1	
9	90179-08491-00	NUT	1	
10	90384-14080-00	BUSH, BIMETAL FORMED	2	
11	93210-14104-00	O-RING	4	
12	90105-08878-00	BOLT, FLANGE	3	
13	90508-26282-00	SPRING, TENSION	1	
14	JN3-F6311-00-00	CABLE, THROTTLE 1	1	
15	91790-05012-00	PIN, CLEVIS	1	
16	90468-10050-00	CLIP	1	
17	90508-16460-00	SPRING, TORSION	1	
18	90560-05001-00	SPACER	1	
19	95817-06025-00	BOLT, FLANGE	1	
20	95707-06500-00	NUT, FLANGE	1	
21	90464-40825-00	CLAMP	1	
22	90387-068T4-00	COLLAR	1	

CONTENTS

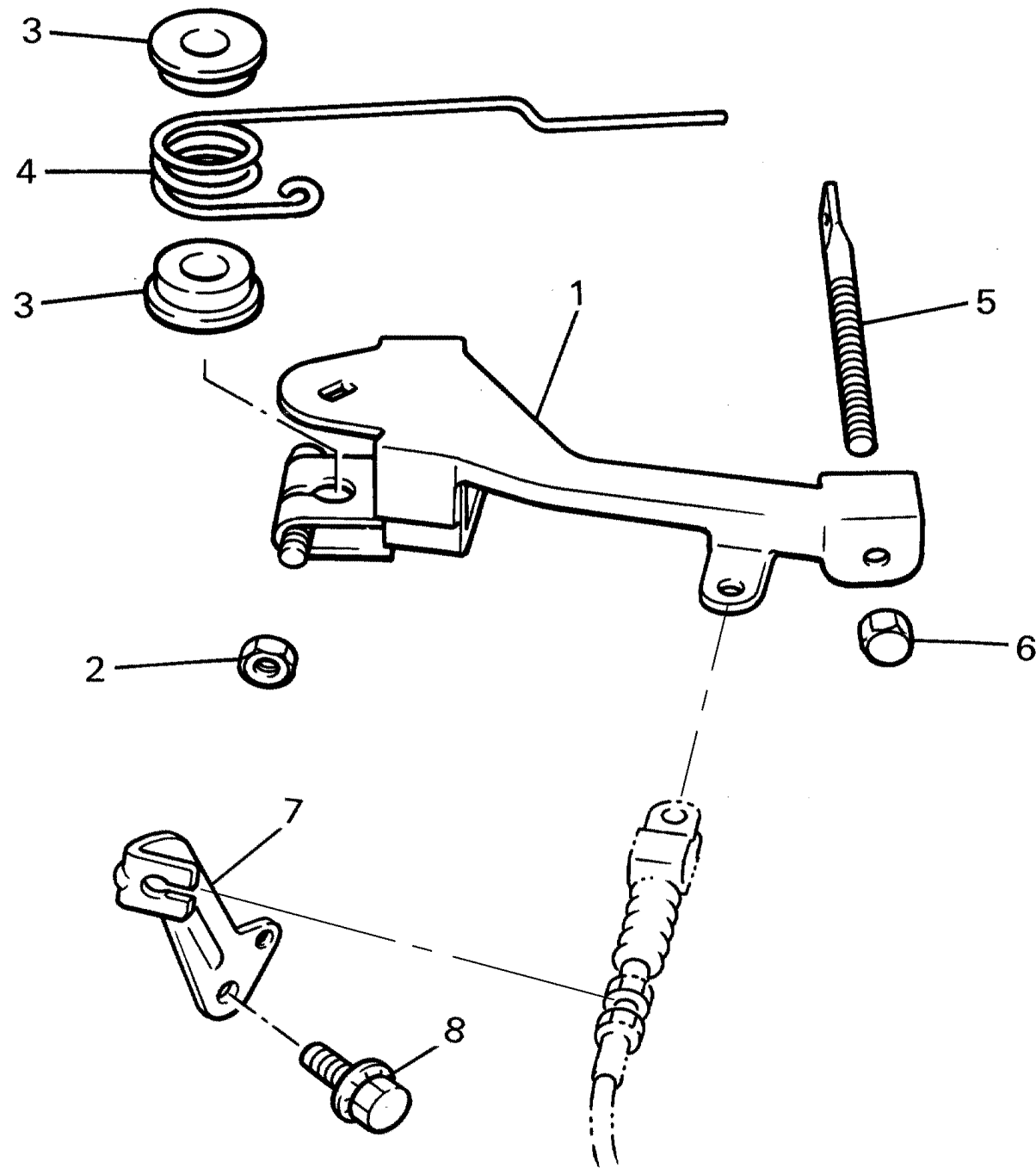
ACCELERATOR	C2
AIR SHROUD FAN	A9
BODY 2 REAR	D2-3
BODY FITTING	D4
BODY FRONT	C12 ,D1
BRAKE	B10-11
BRAKE 2	B12
BRAKE 3	C1
BUMPER	C11
CAMSHAFT VALVE	A8
CARBURETOR	A11
CARRIER	D5
CRANKCASE	B1
CRANKSHAFT PISTON	A7
CYLINDER HEAD	A6
ELECTRICAL 1	D9
ELECTRICAL 2	D10-11
ENGINE ASSEMBLY	A5
ENGINE MOUNT	B2
EXHAUST	A12
FRAME	B4
FRONT SUSPENSION WHEEL	B5-6
FUEL TANK	B9
GOVERNOR	C3
INTAKE	A10
OPTIONAL HUB CAPS	D12
OPTIONAL LIGHT KIT	E3
OPTIONAL SUN ROOF	E2
OPTIONAL WINDSHIELD	E1
PRIMARY CLUTCH	C4
REAR ARM SUSPENSION	B3
REAR AXLE MOUNT WHEEL	C9
SEAT	D6
SECONDARY SHEAVE	C5
SHIFTER CABLES	C10
STARTER GENERATOR	D7-8
STEERING	B7-8
TRANSMISSION	C6-8

GOVERNOR

Ref. No.	Part Number	Description	Qty	Remarks
1	J38-27951-00-00	LEVER, SPEED LIMITER	1	
2	95317-06600-00	. NUT, HEX	1	
3	90386-08141-00	BUSH	2	
4	90508-40678-00	SPRING, TORSION	1	
5	J38-27959-00-00	SCREW, ADJUSTING	1	
6	95607-06200-00	.NUT, SELF U-FLANGE	1	
7	JN3-G6555-00-00	BRACKET 2	1	
8	90105-08859-00	BOLT, FLANGE	1	

CONTENTS

ACCELERATOR	C2
AIR SHROUD FAN	A9
BODY 2 REAR	D2-3
BODY FITTING	D4
BODY FRONT	C12 ,D1
BRAKE	B10-11
BRAKE 2	B12
BRAKE 3	C1
BUMPER	C11
CAMSHAFT VALVE	A8
CARBURETOR	A11
CARRIER	D5
CRANKCASE	B1
CRANKSHAFT PISTON	A7
CYLINDER HEAD	A6
ELECTRICAL 1	D9
ELECTRICAL 2	D10-11
ENGINE ASSEMBLY	A5
ENGINE MOUNT	B2
EXHAUST	A12
FRAME	B4
FRONT SUSPENSION WHEEL	B5-6
FUEL TANK	B9
GOVERNOR	C3
INTAKE	A10
OPTIONAL HUB CAPS	D12
OPTIONAL LIGHT KIT	E3
OPTIONAL SUN ROOF	E2
OPTIONAL WINDSHIELD	E1
PRIMARY CLUTCH	C4
REAR ARM SUSPENSION	B3
REAR AXLE MOUNT WHEEL	C9
SEAT	D6
SECONDARY SHEAVE	C5
SHIFTER CABLES	C10
STARTER GENERATOR	D7-8
STEERING	B7-8
TRANSMISSION	C6-8



JU0100-5190

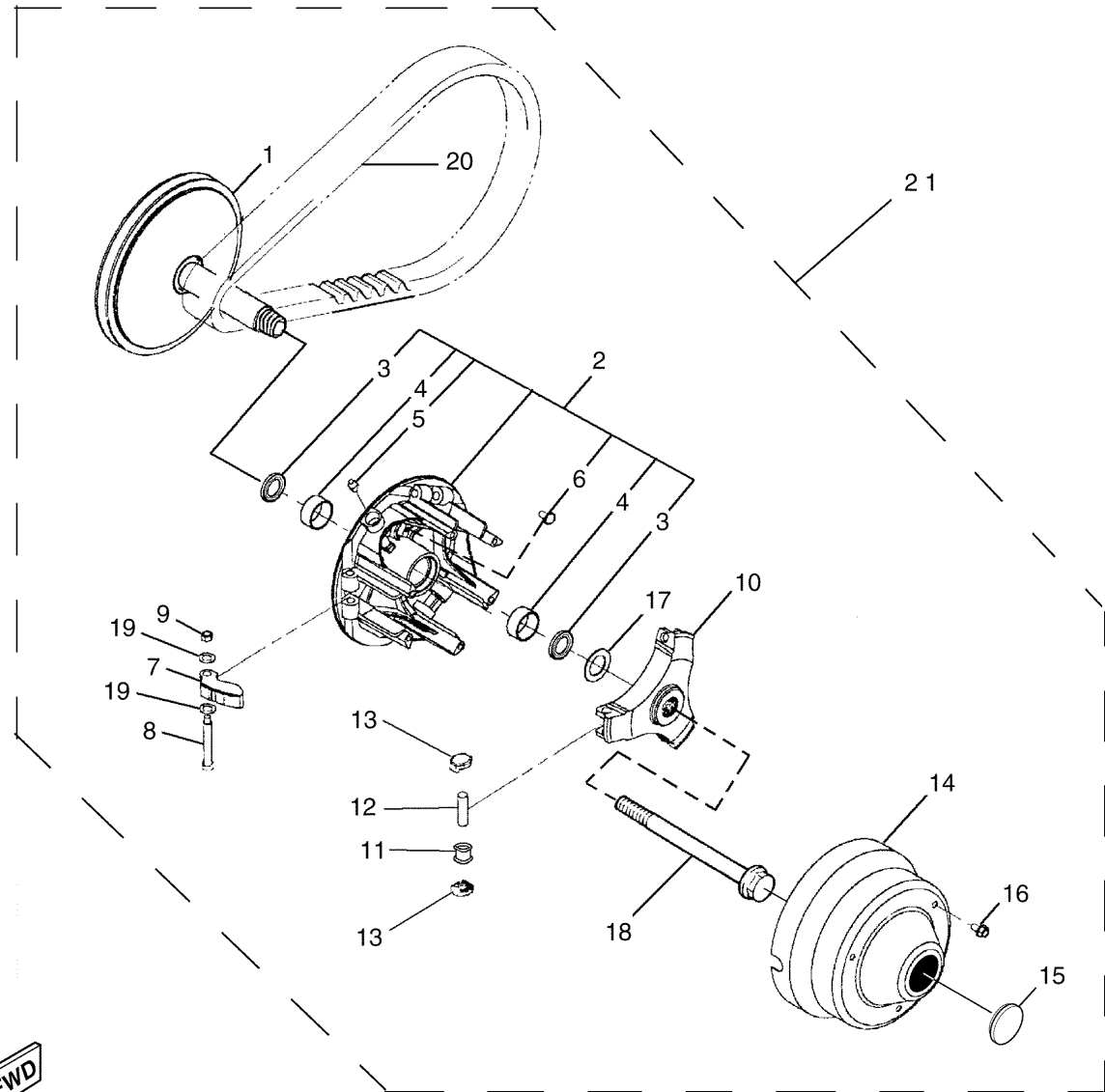
PRIMARY CLUTCH

Ref. No.	Part Number	Description	Qty	Remarks
1	JN6-G6210-00-00	. PRIMARY FIXED SHEAVE COMP.	1	
2	JN6-G6220-00-00	. PRIMARY SLIDING SHEAVE COMP.	1	
3	93101-28831-00	.. OIL SEAL ..	2	
4	90384-27823-00	.. BUSH, BIMETAL FORMED ..	2	
5	93700-06810-00	.. NIPPLE, GREASE ..	1	
6	90338-04840-00	.. PLUG ..	3	
7	JN6-G6232-00-00	.. WEIGHT, 1 ..	3	
8	90109-06860-00	. BOLT ..	3	
9	90185-06834-00	. NUT, SELF-LOCKING ..	3	
10	JN6-G6251-00-00	. SPIDER ..	1	
11	JN6-G6258-01-00	. COLLAR, ROLLER ..	3	
12	93610-358A3-00	. PIN, DOWEL ..	3	
13	JN6-G6253-00-00	. SLIDER ..	6	
14	JU0-G6231-00-00	. CAP ..	1	
15	JU0-G6297-00-00	. COVER, DUST ..	1	
16	90105-06861-00	. BOLT, FLANGE ..	3	
17	90102-228K5-00	. WASHER, PLAIN ..	1	
18	JN6-G6249-00-00	BOLT ..	1	
19	JN6-G621F-00-00	. SHIM,THRUST ..	6	
20	J55G6241-00-00	BELT ..	1	
21	JN6-G6201-03-00	PRIMARY CLUTCH ASSEMBLY	1	

CONTENTS

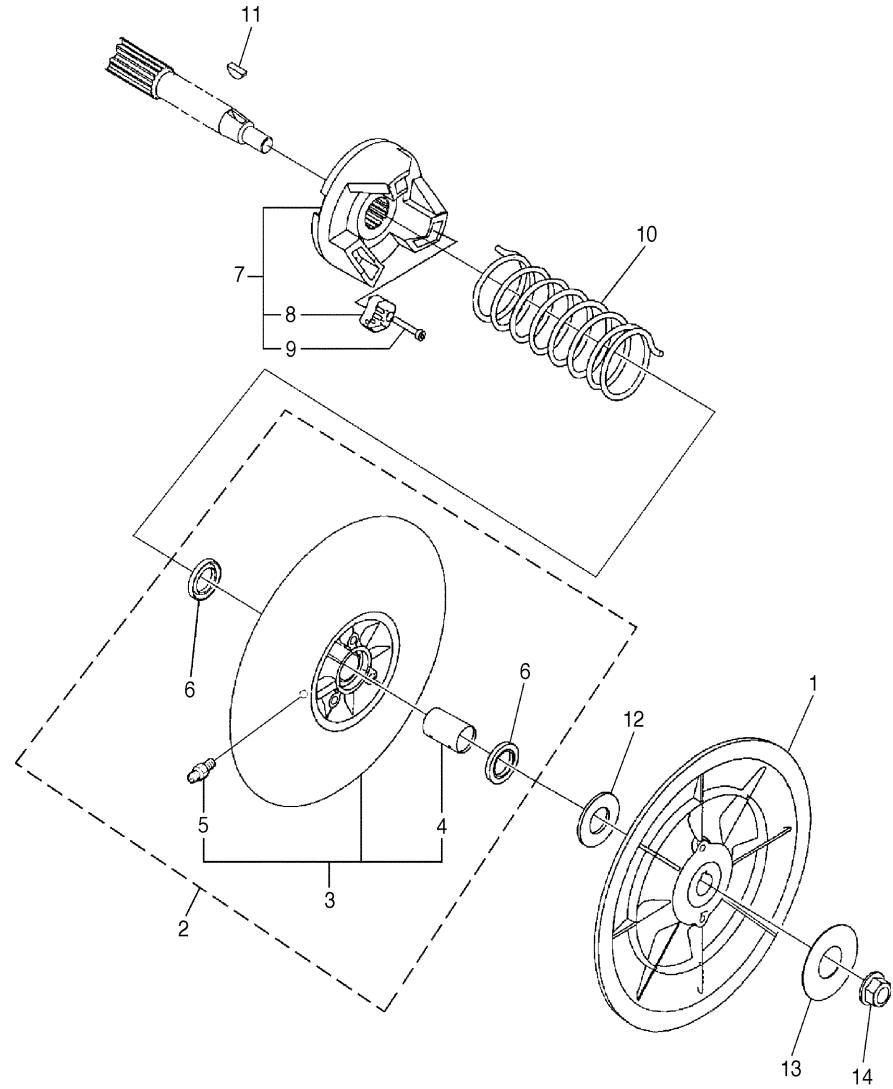
ACCELERATOR	C2
AIR SHROUD FAN	A9
BODY 2 REAR	D2-3
BODY FITTING	D4
BODY FRONT	C12 ,D1
BRAKE	B10-11
BRAKE 2	B12
BRAKE 3	C1
BUMPER	C11
CAMSHAFT VALVE	A8
CARBURETOR	A11
CARRIER	D5
CRANKCASE	B1
CRANKSHAFT PISTON	A7
CYLINDER HEAD	A6
ELECTRICAL 1	D9
ELECTRICAL 2	D10-11
ENGINE ASSEMBLY	A5
ENGINE MOUNT	B2
EXHAUST	A12
FRAME	B4
FRONT SUSPENSION WHEEL	B5-6
FUEL TANK	B9
GOVERNOR	C3
INTAKE	A10
OPTIONAL HUB CAPS	D12
OPTIONAL LIGHT KIT	E3
OPTIONAL SUN ROOF	E2
OPTIONAL WINDSHIELD	E1
PRIMARY CLUTCH	C4
REAR ARM SUSPENSION	B3
REAR AXLE MOUNT WHEEL	C9
SEAT	D6
SECONDARY SHEAVE	C5
SHIFTER CABLES	C10
STARTER GENERATOR	D7-8
STEERING	B7-8
TRANSMISSION	C6-8

ASSY INCLUDES ALL EXCEPT REF. #S 18 & 20.



JU0100-5200

SECONDARY SHEAVE



Ref. No.	Part Number	Description	Qty	Remarks
1	JN6-G6260-00-00	SECONDARY FIXED SHEAVE COMP.	1	
2	JN6-G6270-01-KT	SECONDARY SLIDING SHEAVE COMP.	1	
3	JN6-G6271-02-00	. SECONDARY SLIDING SHEAVE	1	
4	90384-20824-00	.. BUSH, BIMETAL FORMED ..	1	
5	93700-06809-00	.. NIPPLE, GREASE	1	
6	93109-20069-00	. OIL SEAL	2	
7	JN6-G6280-00-00	SECONDARY SPRING SEAT COMP.	1	
8	JN6-E7688-00-00	. SHOE, RAMP	3	
9	90110-04834-00	. BOLT, HEXAGON SOCKET HEAD	3	
10	90508-45844-00	SPRING, TORSION	1	L=100.5mm +/- 1.5
11	90280-05022-00	KEY, WOODRUFF	1	
12	90202-20130-00	WASHER, PLATE	1	
13	90201-128S5-00	WASHER, PLATE	1	
14	95607-12200-00	NUT, SELF-LOCKING	1	

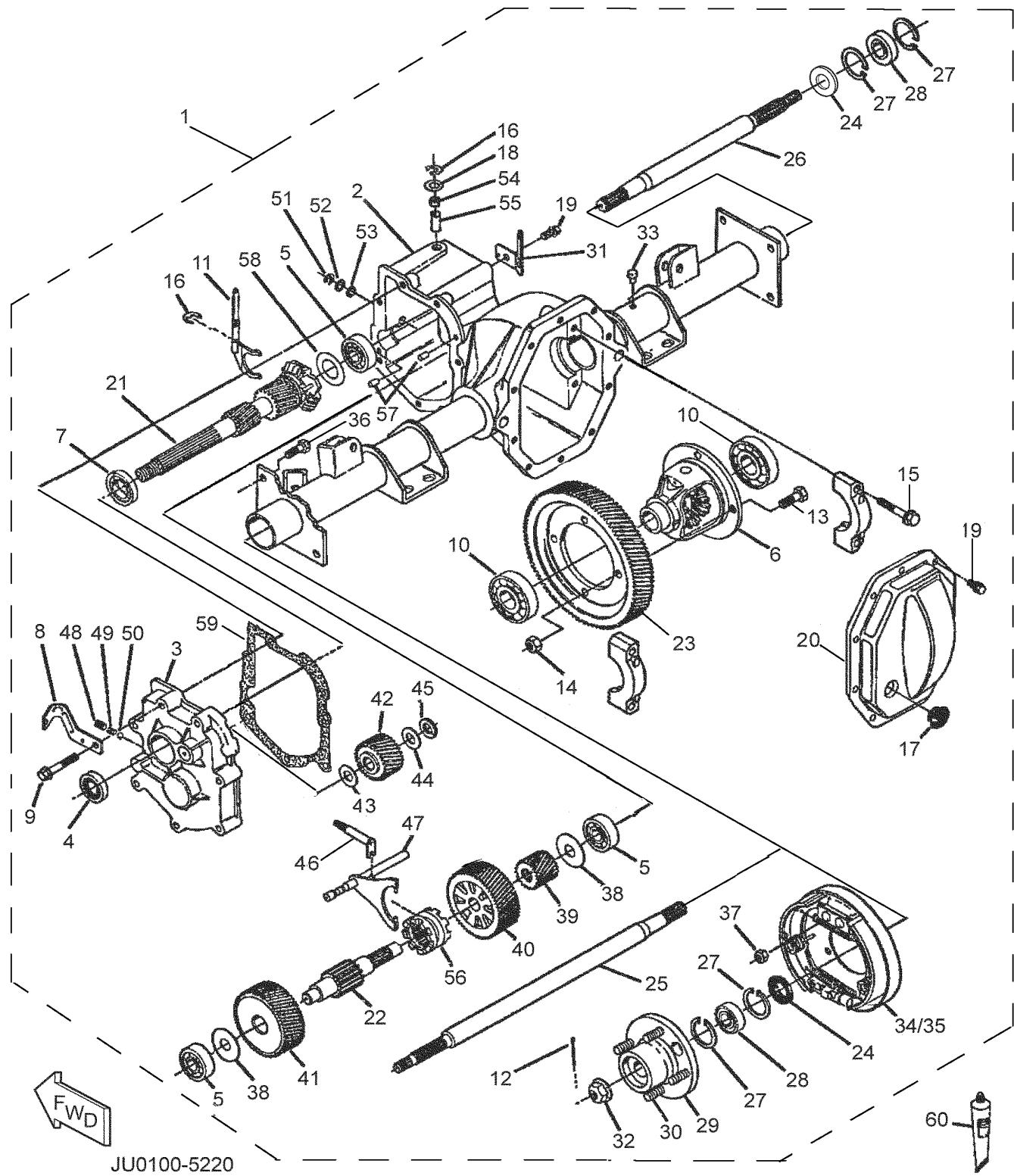
CONTENTS

ACCELERATOR	C2
AIR SHROUD & FAN	A9
BODY	C12
BODY 2	D1-2
BODY FITTING	D3
BRAKE	B10-11
BRAKE 2	B12
BRAKE 3	C1
BUMPER	C11
CAMSHAFT & VALVE	A8
CARBURETOR	A11
CARRIER	D4
CRANKCASE	B1
CRANKSHAFT & PISTON	A7
CYLINDER HEAD	A6
ELECTRICAL 1	D8
ELECTRICAL 2	D9-10
ENGINE ASSEMBLY	A5
ENGINE BRACKET	B2
EXHAUST	A12
FRAME	B4
FRONT SUSPENSION & WHEEL	B5-6
FUEL TANK	B9
GOVERNOR	C3
INTAKE	A10
OPTIONAL LIGHT KIT	E1-2
OPTIONAL SUN ROOF	D12
OPTIONAL WINDSHIELD	D11
PRIMARY SHEAVE	C4
REAR ARM & SUSPENSION	B3
REAR AXLE MOUNT & WHEEL SEAT	C9
SECONDARY SHEAVE	D5
SHIFTER & CABLES	C5
STARTING MOTOR	C10
STEERING	D6-7
TRANSMISSION 1	B7-8 C6-8



JT71010-B210

TRANSMISSION



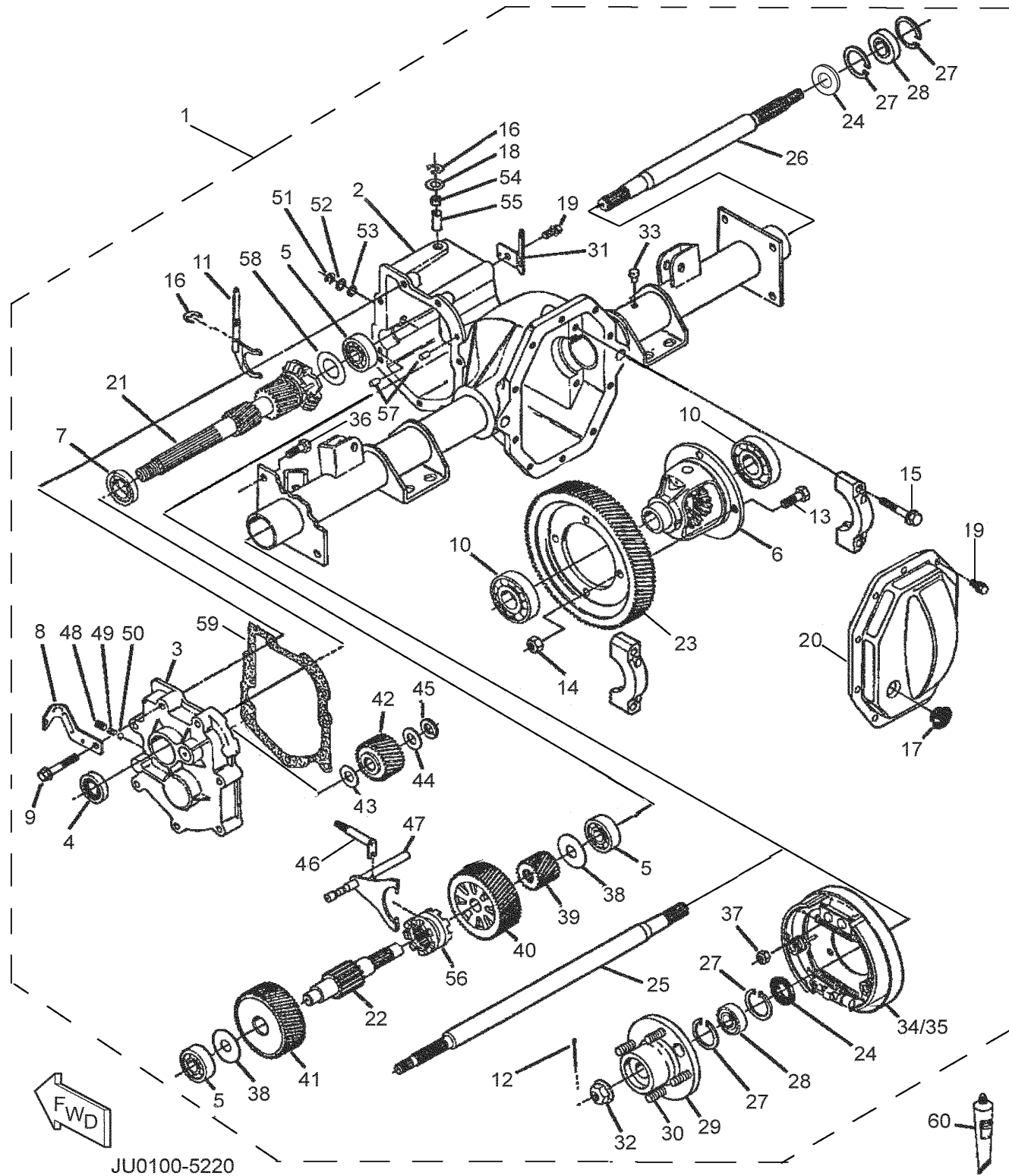
Ref. No.	Part Number	Description	Qty	Remarks
1	JN6-G6300-04-00	TRANS AXLE ASSY	1	WITH BRAKE PLATES
2	JN3-G6290-01-00	. CASE ASSY	1	
3	JN3-G6313-00-00	. COVER, TRNSMISSION	1	
4	93102-25868-00	. OIL SEAL	1	
5	93306-303Y6-00	. BEARING	3	
6	JN6-G6410-00-00	. DIFFERENTIAL ASSY.	1	
7	93306-005YA-00	. BEARING	1	
8	JN6-G6555-00-00	. BRACKET 2	1	
9	90105-08859-00	. BOLT, FLANGE	7	
10	93306-007Y0-00	. BEARING	2	
11	JN3-G633E-01-00	. BAR 1	1	
12	91490-25030-00	. PIN, COTTER	2	
13	90101-10854-00	. BOLT	4	
14	90170-10840-00	. NUT	4	
15	90105-018400-00	. BOLT, FLANGE	4	
16	JU0-F722H-00-00	. RETAINER	2	
17	JN3-G6432-00-00	. STOPPER	1	
18	JU0-F723F-00-00	. WASHER, SPECIAL	1	
19	90101-08856-00	. BOLT	11	
20	JN3-G6314-00-00	. COVER, TRANSMISSION	1	
21	JN3-G6320-01-00	. INPUT SHAFT ASSY	1	
22	JN3-G633G-00-00	. SHAFT	1	
23	JN3-G6355-00-00	. GEAR, PRIMARY	1	
24	93101-24822-00	. OIL SEAL	2	
25	JN3-G6511-00-00	. SHAFT, REAR AXLE 1 (L.H)	1	
26	JN3-G6512-00-00	. SHAFT, REAR AXLE 2 (R.H)	1	
27	93420-44805-00	. CIRCLIP	4	
28	93306-004X5-00	. BEARING	2	
29	JN3-G6514-00-00	. HUB, REAR AXLE	2	
30	90114-12804-00	. BOLT, SERRATION	8	

CONTENTS

ACCELERATOR	C2
AIR SHROUD FAN	A9
BODY 2 REAR	D2-3
BODY FITTING	D4
BODY FRONT	C12 ,D1
BRAKE	B10-11
BRAKE 2	B12
BRAKE 3	C1
BUMPER	C11
CAMSHAFT VALVE	A8
CARBURETOR	A11
CARRIER	D5
CRANKCASE	B1
CRANKSHAFT PISTON	A7
CYLINDER HEAD	A6
ELECTRICAL 1	D9
ELECTRICAL 2	D10-11
ENGINE ASSEMBLY	A5
ENGINE MOUNT	B2
EXHAUST	A12
FRAME	B4
FRONT SUSPENSION WHEEL	B5-6
FUEL TANK	B9
GOVERNOR	C3
INTAKE	A10
OPTIONAL HUB CAPS	D12
OPTIONAL LIGHT KIT	E3
OPTIONAL SUN ROOF	E2
OPTIONAL WINDSHIELD	E1
PRIMARY CLUTCH	C4
REAR ARM SUSPENSION	B3
REAR AXLE MOUNT WHEEL	C9
SEAT	D6
SECONDARY SHEAVE	C5
SHIFTER CABLES	C10
STARTER GENERATOR	D7-8
STEERING	B7-8
TRANSMISSION	C6-8

CONTINUED ON NEXT FRAME ►

TRANSMISSION



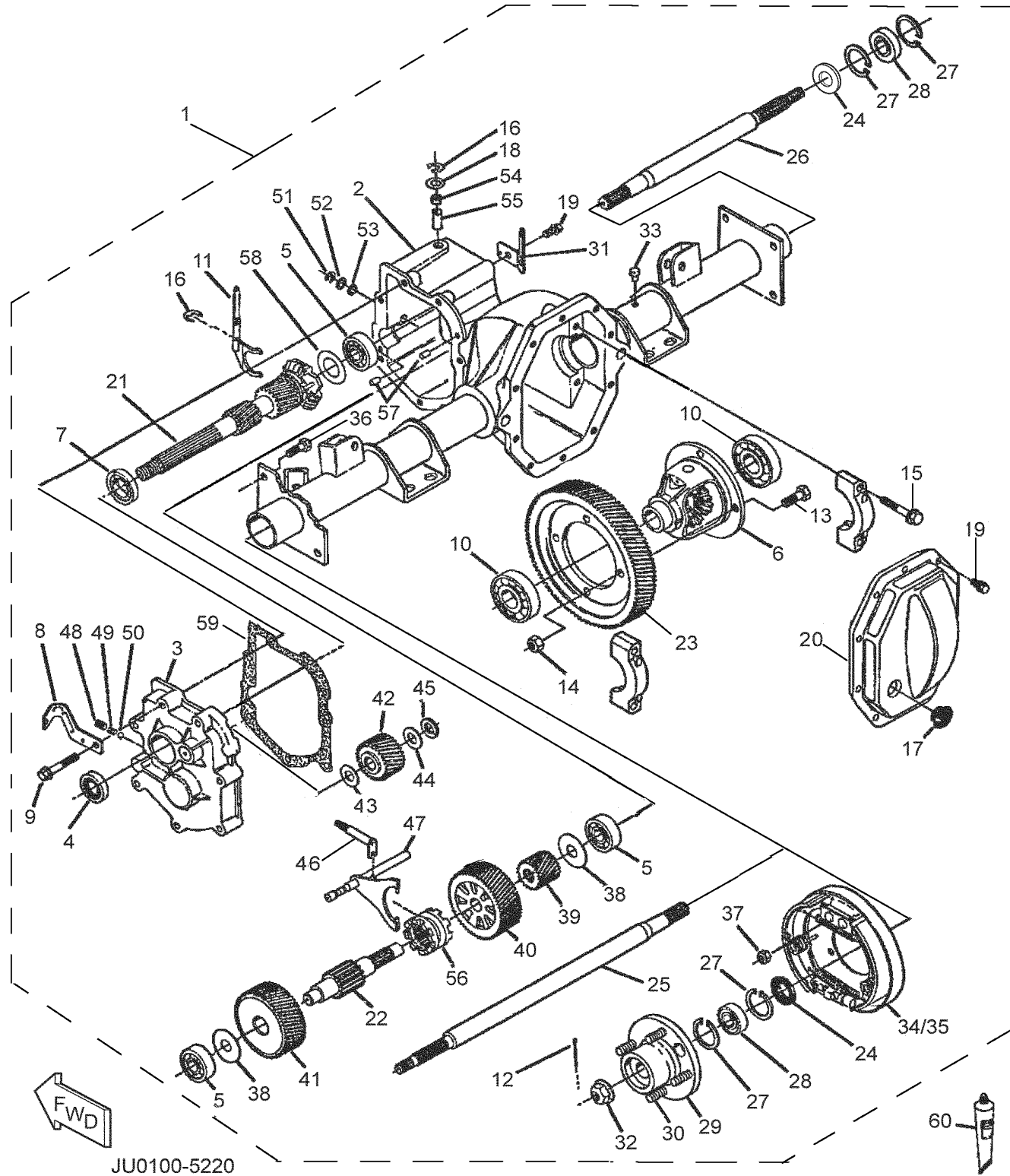
Ref. No.	Part Number	Description	Qty	Remarks
31	JN3-G6556-00-00	. BRACKET 3	1	
32	90185-16833-00	. NUT, SELF-LOCKING	2	
33	JH7-G5619-00-00	. .CAP	1	
34	JN6-F7290-03-00	. BACKING PLATE ASSY LH	1	
35	JN6-F7280-03-00	. BACKING PLATE ASSY RH	1	
36	90101-08855-00	. BOLT	8	
37	90170-08841-00	. NUT	8	
38	90201-178H8-00	. WASHER, PLATE	2	
39	JN3-G6316-00-00	. GEAR, PINION 1	1	
40	JN3-G6326-00-00	. GEAR, WHEEL 1	1	
41	JN3-G6327-00-00	. GEAR, WHEEL 2	1	
42	JN3-G6356-00-00	. GEAR, IDLER	1	
43	90201-208H9-00	. WASHER, PLATE	1	
44	90201-208J0-00	. WASHER, PLATE	1	
45	93440-20813-00	. CIRCLIP	1	
46	JN3-G638A-00-00	. BAR, SHIFT 1	1	
47	JN6-G638E-00-00	. BAR, SHIFT 2	1	
48	90113-08803-00	. .BOLT, SET	1	
49	90501-10852-00	. .SPRING, COMPRESSION	1	
50	93500-06826-00	. .BALL	1	
51	93410-12822-00	. CIRCLIP	1	
52	90202-12807-00	. WASHER, PLATE	1	
53	93104-11829-00	. OIL SEAL	1	
54	93109-10820-00	. OIL SEAL	1	
55	JU0-G614-00-00	. GOVERNOR BUSHING	1	
56	JN3-G6153-00-00	. COLLAR, GUIDE	1	
57	93606-10842-00	. PIN, DOWEL	2	
58	JN3-G6344-00-00	. SHIM, 0.76MM (0.030IN)	1	0.76MM (0.030IN)
	JN3-G6344-10-00	. SHIM, 0.90MM (0.035IN)	1	0.90MM (0.035IN)
	JN3-G6344-20-00	. SHIM, 1.00MM (0.040IN)	1	1.0MM (0.040IN)

CONTENTS

ACCELERATOR	C2
AIR SHROUD FAN	A9
BODY 2 REAR	D2-3
BODY FITTING	D4
BODY FRONT	C12 ,D1
BRAKE	B10-11
BRAKE 2	B12
BRAKE 3	C1
BUMPER	C11
CAMSHAFT VALVE	A8
CARBURETOR	A11
CARRIER	D5
CRANKCASE	B1
CRANKSHAFT PISTON	A7
CYLINDER HEAD	A6
ELECTRICAL 1	D9
ELECTRICAL 2	D10-11
ENGINE ASSEMBLY	A5
ENGINE MOUNT	B2
EXHAUST	A12
FRAME	B4
FRONT SUSPENSION WHEEL	B5-6
FUEL TANK	B9
GOVERNOR	C3
INTAKE	A10
OPTIONAL HUB CAPS	D12
OPTIONAL LIGHT KIT	E3
OPTIONAL SUN ROOF	E2
OPTIONAL WINDSHIELD	E1
PRIMARY CLUTCH	C4
REAR ARM SUSPENSION	B3
REAR AXLE MOUNT WHEEL	C9
SEAT	D6
SECONDARY SHEAVE	C5
SHIFTER CABLES	C10
STARTER GENERATOR	D7-8
STEERING	B7-8
TRANSMISSION	C6-8

CONTINUED ON NEXT FRAME ►

TRANSMISSION



Ref. No.	Part Number	Description	Qty	Remarks
58	JN3-G6344-30-00	. SHIM, 1.14MM (0.045IN)	1	1.14MM (0.045IN)
	JN3-G6344-40-00	. SHIM, 1.27MM (0.050IN)	1	1.27MM (0.050IN)
	JN3-G6344-50-00	. SHIM, 1.39MM (0.055IN)	1	1.39MM (0.055IN)
	JN3-G6344-60-00	. SHIM, 1.52MM (0.060IN)	1	1.52MM (0.060IN)
	JN3-G6344-70-00	. SHIM, 1.65MM (0.065IN)	1	1.65MM (0.065IN)
	JN3-G6344-80-00	. SHIM, 0.38MM (0.015IN)	1	0.38MM (0.015IN)
59	JN3-G6319-00-00	. GASKET	1	
60	ACC-QUICK-GS-KT	SEAL 1	1	

CONTENTS

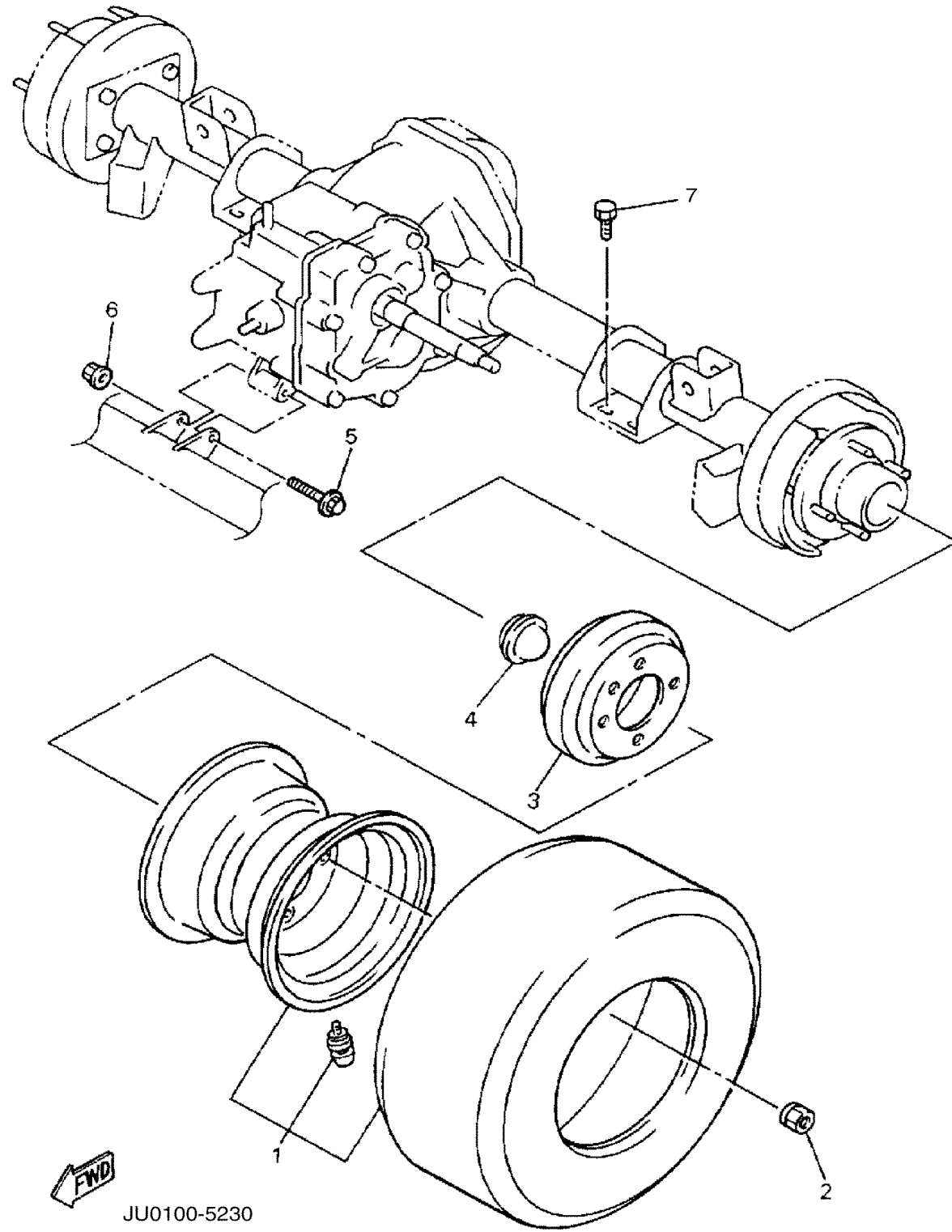
ACCELERATOR	C2
AIR SHROUD FAN	A9
BODY 2 REAR	D2-3
BODY FITTING	D4
BODY FRONT	C12 ,D1
BRAKE	B10-11
BRAKE 2	B12
BRAKE 3	C1
BUMPER	C11
CAMSHAFT VALVE	A8
CARBURETOR	A11
CARRIER	D5
CRANKCASE	B1
CRANKSHAFT PISTON	A7
CYLINDER HEAD	A6
ELECTRICAL 1	D9
ELECTRICAL 2	D10-11
ENGINE ASSEMBLY	A5
ENGINE MOUNT	B2
EXHAUST	A12
FRAME	B4
FRONT SUSPENSION WHEEL	B5-6
FUEL TANK	B9
GOVERNOR	C3
INTAKE	A10
OPTIONAL HUB CAPS	D12
OPTIONAL LIGHT KIT	E3
OPTIONAL SUN ROOF	E2
OPTIONAL WINDSHIELD	E1
PRIMARY CLUTCH	C4
REAR ARM SUSPENSION	B3
REAR AXLE MOUNT WHEEL	C9
SEAT	D6
SECONDARY SHEAVE	C5
SHIFTER CABLES	C10
STARTER GENERATOR	D7-8
STEERING	B7-8
TRANSMISSION	C6-8

REAR AXLE MOUNT WHEEL

Ref. No.	Part Number	Description	Qty	Remarks
1	JN6-F5100-11-00	WHEEL ASSY (18X8.5-8 4PLY)	2	
2	90179-12262-00	NUT	8	
3	J55-G6521-10-00	DRUM	2	
4	JN6-F5118-00-00	COVER, HUB DUST	2	
5	95817-08075-00	BOLT, FLANGE	1	
6	90179-08491-00	NUT	1	
7	9751P-10620-00	BOLT, WITH WASHER	8	

CONTENTS

ACCELERATOR	C2
AIR SHROUD FAN	A9
BODY 2 REAR	D2-3
BODY FITTING	D4
BODY FRONT	C12 ,D1
BRAKE	B10-11
BRAKE 2	B12
BRAKE 3	C1
BUMPER	C11
CAMSHAFT VALVE	A8
CARBURETOR	A11
CARRIER	D5
CRANKCASE	B1
CRANKSHAFT PISTON	A7
CYLINDER HEAD	A6
ELECTRICAL 1	D9
ELECTRICAL 2	D10-11
ENGINE ASSEMBLY	A5
ENGINE MOUNT	B2
EXHAUST	A12
FRAME	B4
FRONT SUSPENSION WHEEL	B5-6
FUEL TANK	B9
GOVERNOR	C3
INTAKE	A10
OPTIONAL HUB CAPS	D12
OPTIONAL LIGHT KIT	E3
OPTIONAL SUN ROOF	E2
OPTIONAL WINDSHIELD	E1
PRIMARY CLUTCH	C4
REAR ARM SUSPENSION	B3
REAR AXLE MOUNT WHEEL	C9
SEAT	D6
SECONDARY SHEAVE	C5
SHIFTER CABLES	C10
STARTER GENERATOR	D7-8
STEERING	B7-8
TRANSMISSION	C6-8

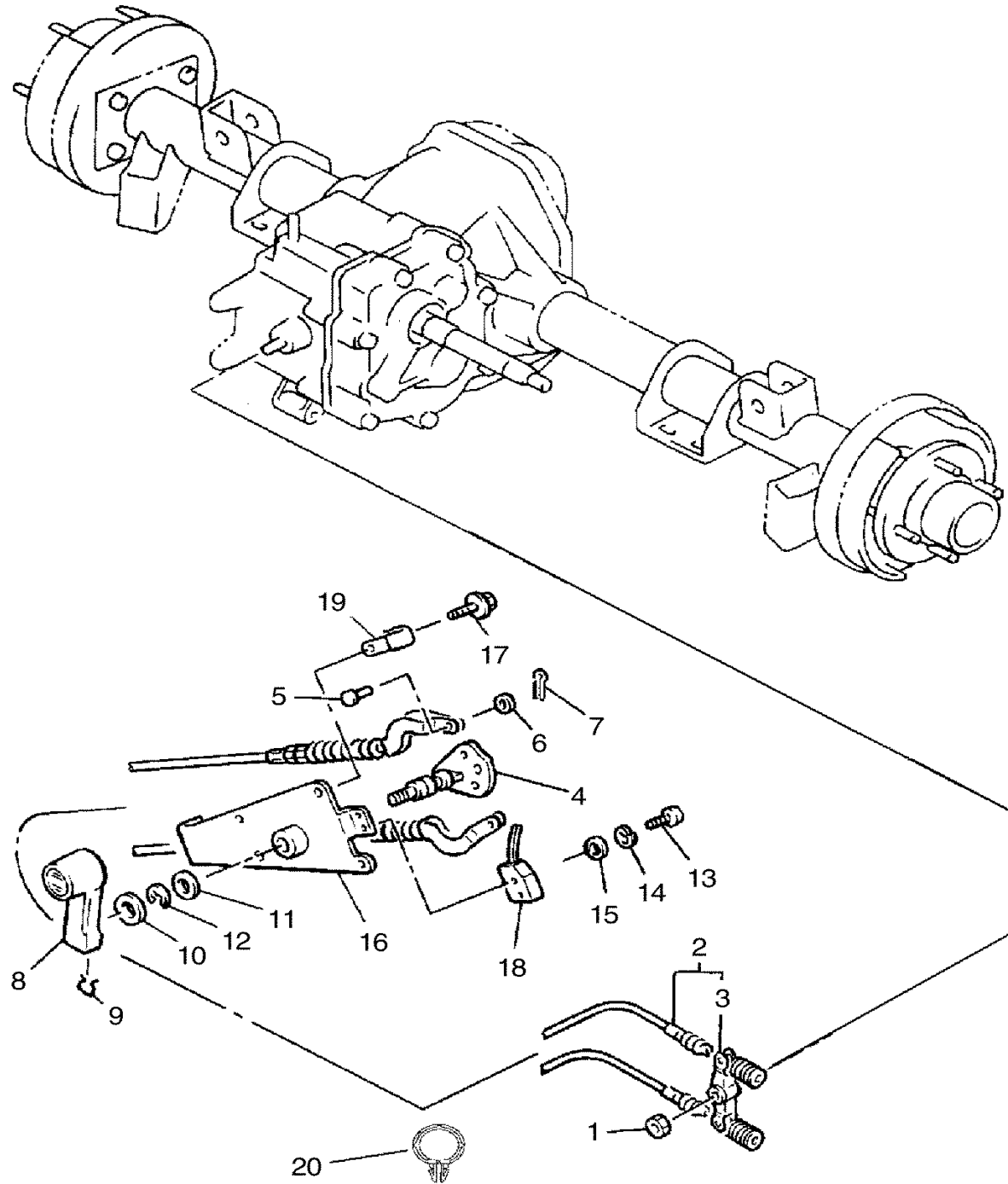


SHIFTER CABLES

Ref. No.	Part Number	Description	Qty	Remarks
1	95617-08100-00	NUT, U	1	
2	JN3-G8330-00-00	CABLE END ASSY	2	
3	J55-G6383-00-00	LEVER, SHIFT 2	1	
4	JF2-46382-00-00	LEVER, SHIFT 1	1	
5	91702-06014-00	PIN, CYLINDER HEAD W/HOLE	2	
6	92907-06600-00	WASHER, PLATE	2	
7	91490-20025-00	PIN, SPLIT	2	
8	JN3-G6381-00-00	KNOB, SHIFT	1	
9	JN3-G6376-00-00	SPRING SET	1	
10	90201-201L9-00	WASHER, PLAIN	1	
11	90201-19551-00	WASHER, PLAIN	1	
12	99009-19400-00	CIRCLIP	1	
13	98517-04016-00	SCREW, PAN HEAD	2	
14	92907-04100-00	WASHER, SPRING	2	
15	92907-04600-00	WASHER	2	
16	JN3-G6372-00-00	BRACKET, SHIFT WIRE	1	
17	95817-06016-00	BOLT, FLANGE	4	
18	JN3-82617-01-00	SWITCH	1	
19	90465-06038-00	CLAMP	1	
20	90464-19815-00	CLAMP	1	

CONTENTS

ACCELERATOR	C2
AIR SHROUD FAN	A9
BODY 2 REAR	D2-3
BODY FITTING	D4
BODY FRONT	C12 ,D1
BRAKE	B10-11
BRAKE 2	B12
BRAKE 3	C1
BUMPER	C11
CAMSHAFT VALVE	A8
CARBURETOR	A11
CARRIER	D5
CRANKCASE	B1
CRANKSHAFT PISTON	A7
CYLINDER HEAD	A6
ELECTRICAL 1	D9
ELECTRICAL 2	D10-11
ENGINE ASSEMBLY	A5
ENGINE MOUNT	B2
EXHAUST	A12
FRAME	B4
FRONT SUSPENSION WHEEL	B5-6
FUEL TANK	B9
GOVERNOR	C3
INTAKE	A10
OPTIONAL HUB CAPS	D12
OPTIONAL LIGHT KIT	E3
OPTIONAL SUN ROOF	E2
OPTIONAL WINDSHIELD	E1
PRIMARY CLUTCH	C4
REAR ARM SUSPENSION	B3
REAR AXLE MOUNT WHEEL	C9
SEAT	D6
SECONDARY SHEAVE	C5
SHIFTER CABLES	C10
STARTER GENERATOR	D7-8
STEERING	B7-8
TRANSMISSION	C6-8

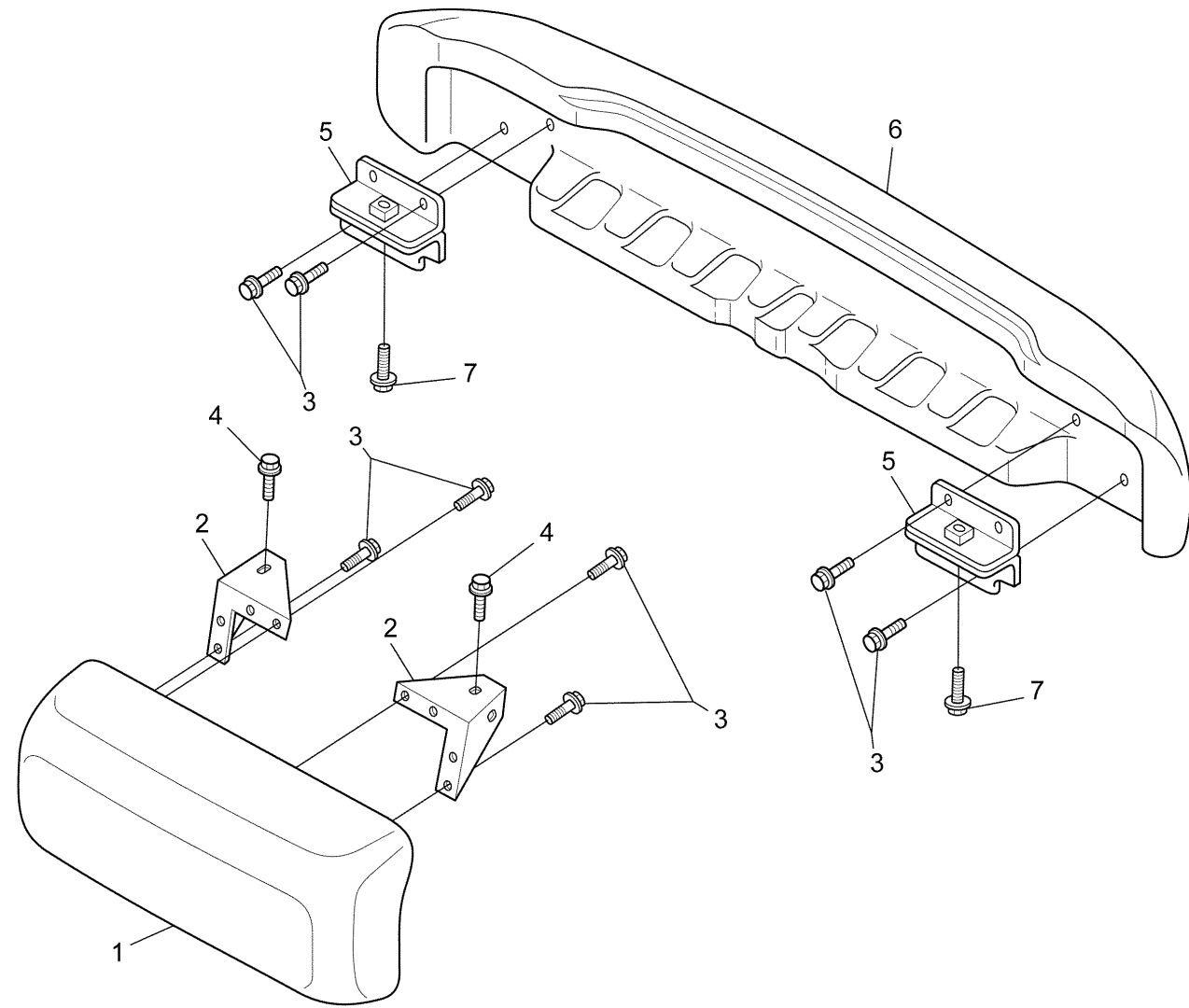


JN6100-6160

C10

BUMPER

Ref. No.	Part Number	Description	Qty	Remarks
1	JN3-K7510-02-00	FRONT BUMPER COMP.	1	
2	JU0-K8164-00-00	STAY, FRONT BUMPER	2	
3	90105-06876-00	BOLT, FLANGE	8	
4	9581P-08012-00	BOLT, FLANGE	2	
5	JN6-K7540-00-00	REAR BUMPER COMP.	1	
6	JN3-K8174-00-00	STAY, REAR BUMPER	2	
7	90105-10881-00	BOLT, FLANGE	2	



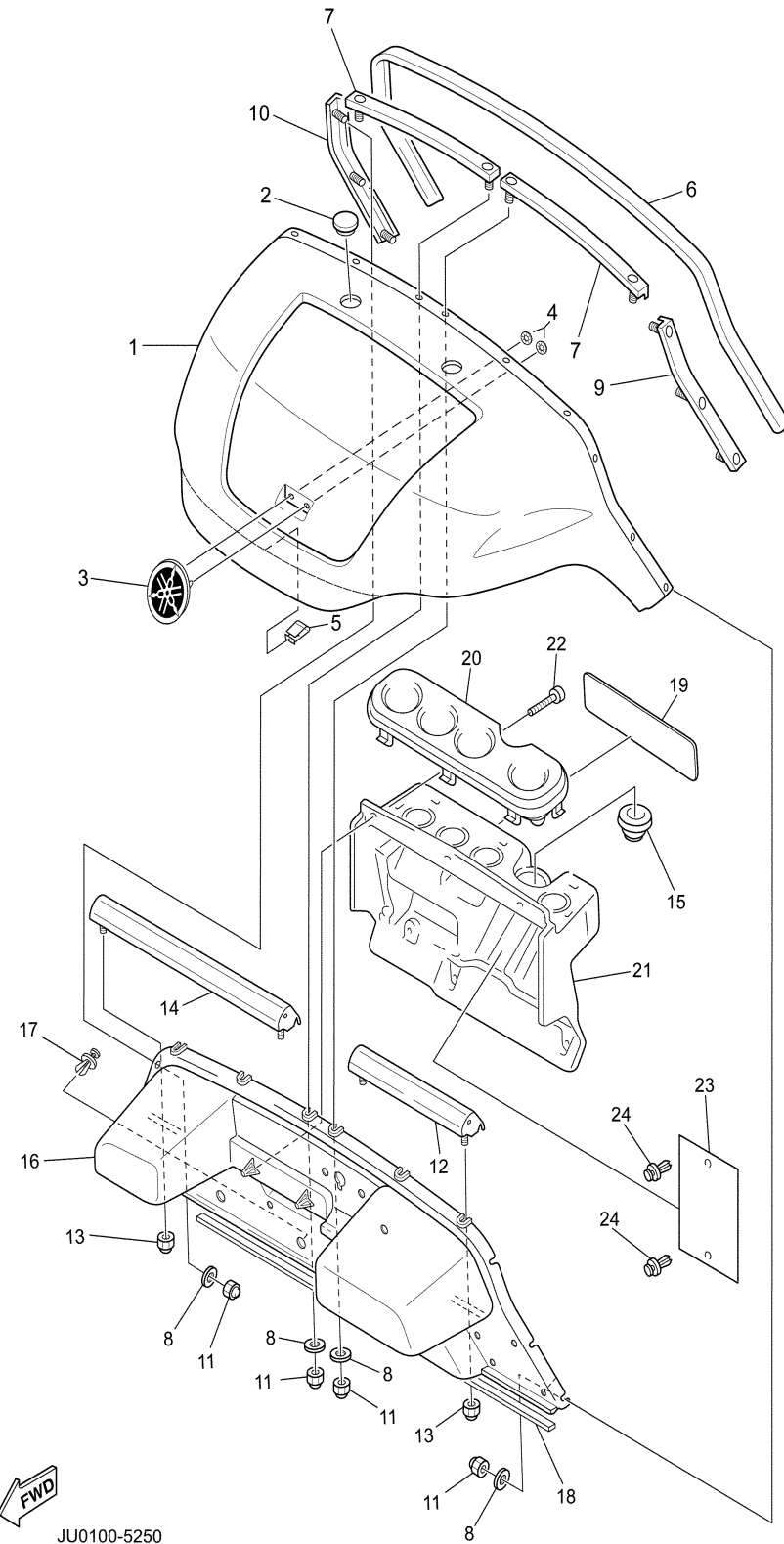
CONTENTS

ACCELERATOR	C2
AIR SHROUD FAN	A9
BODY 2 REAR	D2-3
BODY FITTING	D4
BODY FRONT	C12 ,D1
BRAKE	B10-11
BRAKE 2	B12
BRAKE 3	C1
BUMPER	C11
CAMSHAFT VALVE	A8
CARBURETOR	A11
CARRIER	D5
CRANKCASE	B1
CRANKSHAFT PISTON	A7
CYLINDER HEAD	A6
ELECTRICAL 1	D9
ELECTRICAL 2	D10-11
ENGINE ASSEMBLY	A5
ENGINE MOUNT	B2
EXHAUST	A12
FRAME	B4
FRONT SUSPENSION WHEEL	B5-6
FUEL TANK	B9
GOVERNOR	C3
INTAKE	A10
OPTIONAL HUB CAPS	D12
OPTIONAL LIGHT KIT	E3
OPTIONAL SUN ROOF	E2
OPTIONAL WINDSHIELD	E1
PRIMARY CLUTCH	C4
REAR ARM SUSPENSION	B3
REAR AXLE MOUNT WHEEL	C9
SEAT	D6
SECONDARY SHEAVE	C5
SHIFTER CABLES	C10
STARTER GENERATOR	D7-8
STEERING	B7-8
TRANSMISSION	C6-8



JU0100-5240

BODY FRONT



JU0100-5250

Ref. No.	Part Number	Description	Qty	Remarks
1	JU0-K8115-00-00	COWL, FRONT	1	IVORY
	JU0-K8115-30-00	COWL, FRONT	1	BURGUNDY
	JU0-K8115-50-00	COWL, FRONT	1	HUNTER GREEN
	JU0-K8115-60-00	COWL, FRONT	1	CANDY APPLE RED METALLIC
	JU0-K8115-70-00	COWL, FRONT	1	BRILLIANT BLUE METALLIC
2	JN3-K818E-00-00	CAP, PROTECTOR END 1	2	W/O SUNTOP
3	JU0-F4161-00-00	EMBLEM 1	1	
4	JU0-K7573-00-00	NUT, SPECIAL	2	
5	JU0-F2567-00-00	SUPPORT 1	1	
6	JF2-K811V-00-00	PROTECTOR 1	1	
7	JU0K8261-00-00	PLATE, BODY PROTECTOR 1 .	2	
8	90201-06829-00	WASHER, PLATE	10	
9	JF2-K8262-01-00	PLATE, BODY PROTECT 2 ...	1	
10	JF2-K8263-01-00	PLATE, BODY PRTOTECT 3 ..	1	
11	90185-06836-00	NUT, SELF-LOCKING	10	
12	JN6-K8264-00-00	PLATE, BODY PROTECT 4 ...	1	
13	95607-06200-00	.NUT, SELF U-FLANGE	4	
14	JN6-K8265-00-00	PLATE, BODY PROTECT 5 ...	1	
15	JN3-K8273-00-00	COVER, HOLE	1	
16	JF2-K8114-02-00	PANEL, FRONT	1	
17	90269-08069-00	RIVET	3	
18	JN3-K815G-00-00	SEAL, FRONT STORAGE	1	
19	JN3-K7768-00-00	LABEL, WARNING 8 (E)	1	INCL. WHEN REPLACING HOUSING HOLDER
	JN3-K7768-10-00	LABEL, WARNING 8 (UR, FOR CAN)	1	INCL. WHEN REPLACING HOUSING HOLDER
	JN3-K7768-20-00	LABEL, WARNING 8 (UR, FOR EUR)	1	INCL. WHEN REPLACING HOUSING HOLDER

CONTENTS

ACCELERATOR	C2
AIR SHROUD FAN	A9
BODY 2 REAR	D2-3
BODY FITTING	D4
BODY FRONT	C12 ,D1
BRAKE	B10-11
BRAKE 2	B12
BRAKE 3	C1
BUMPER	C11
CAMSHAFT VALVE	A8
CARBURETOR	A11
CARRIER	D5
CRANKCASE	B1
CRANKSHAFT PISTON	A7
CYLINDER HEAD	A6
ELECTRICAL 1	D9
ELECTRICAL 2	D10-11
ENGINE ASSEMBLY	A5
ENGINE MOUNT	B2
EXHAUST	A12
FRAME	B4
FRONT SUSPENSION WHEEL	B5-6
FUEL TANK	B9
GOVERNOR	C3
INTAKE	A10
OPTIONAL HUB CAPS	D12
OPTIONAL LIGHT KIT	E3
OPTIONAL SUN ROOF	E2
OPTIONAL WINDSHIELD	E1
PRIMARY CLUTCH	C4
REAR ARM SUSPENSION	B3
REAR AXLE MOUNT WHEEL	C9
SEAT	D6
SECONDARY SHEAVE	C5
SHIFTER CABLES	C10
STARTER GENERATOR	D7-8
STEERING	B7-8
TRANSMISSION	C6-8

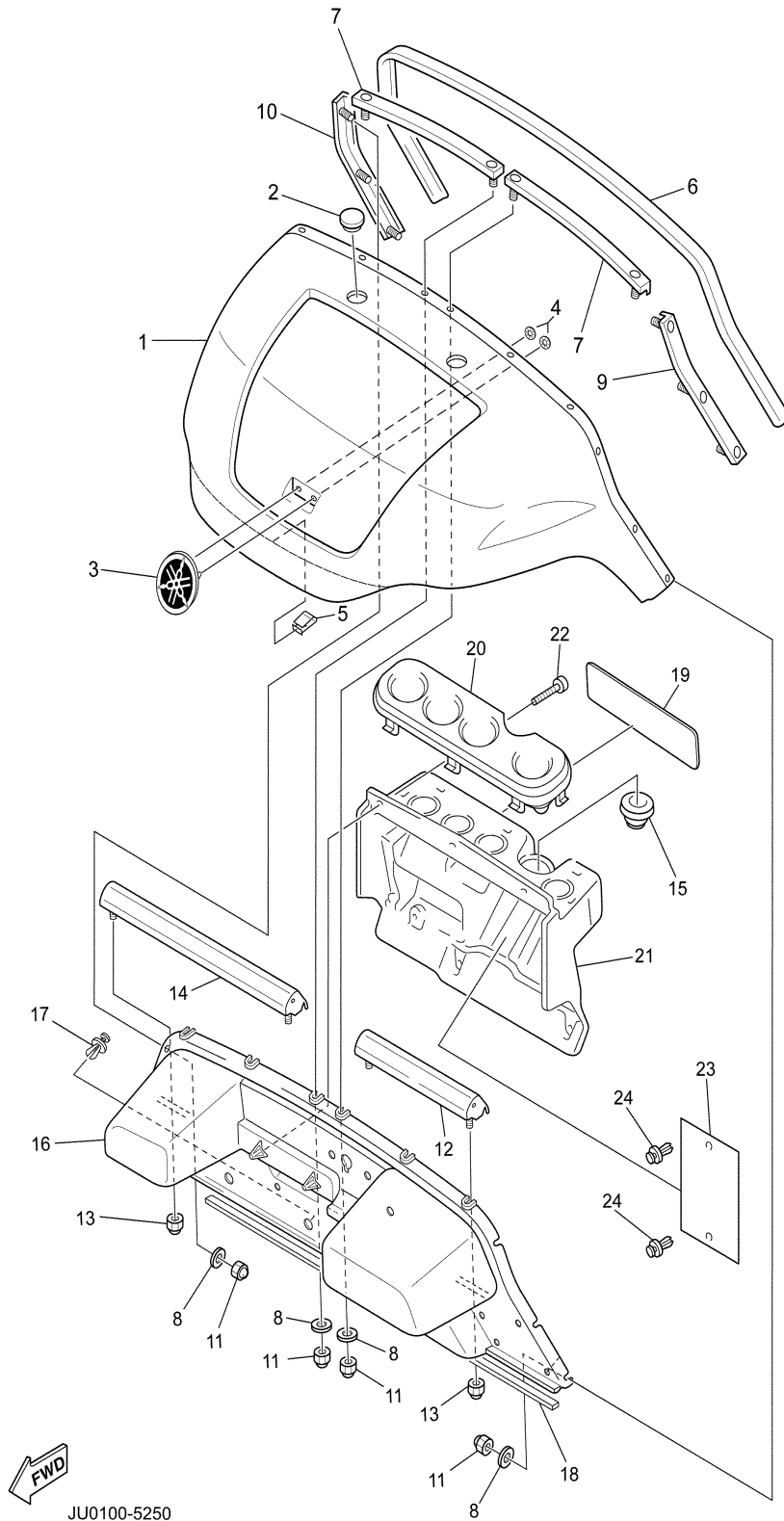
CONTINUED ON NEXT FRAME ►

BODY FRONT

Ref. No.	Part Number	Description	Qty	Remarks
20	JN6-K835E-00-00	HOLDER, BEVERAGE	1	
21	JN3-K835G-00-00	HOUSING, HOLDER	1	ALSO REPLACE WARNING LABEL 8
22	97707-60130-00	SCREW, PAN HEAD	6	
23	JN6-K8182-00-00	PLATE 2	1	
24	902067-63047-00	RIVET, BLIND	2	

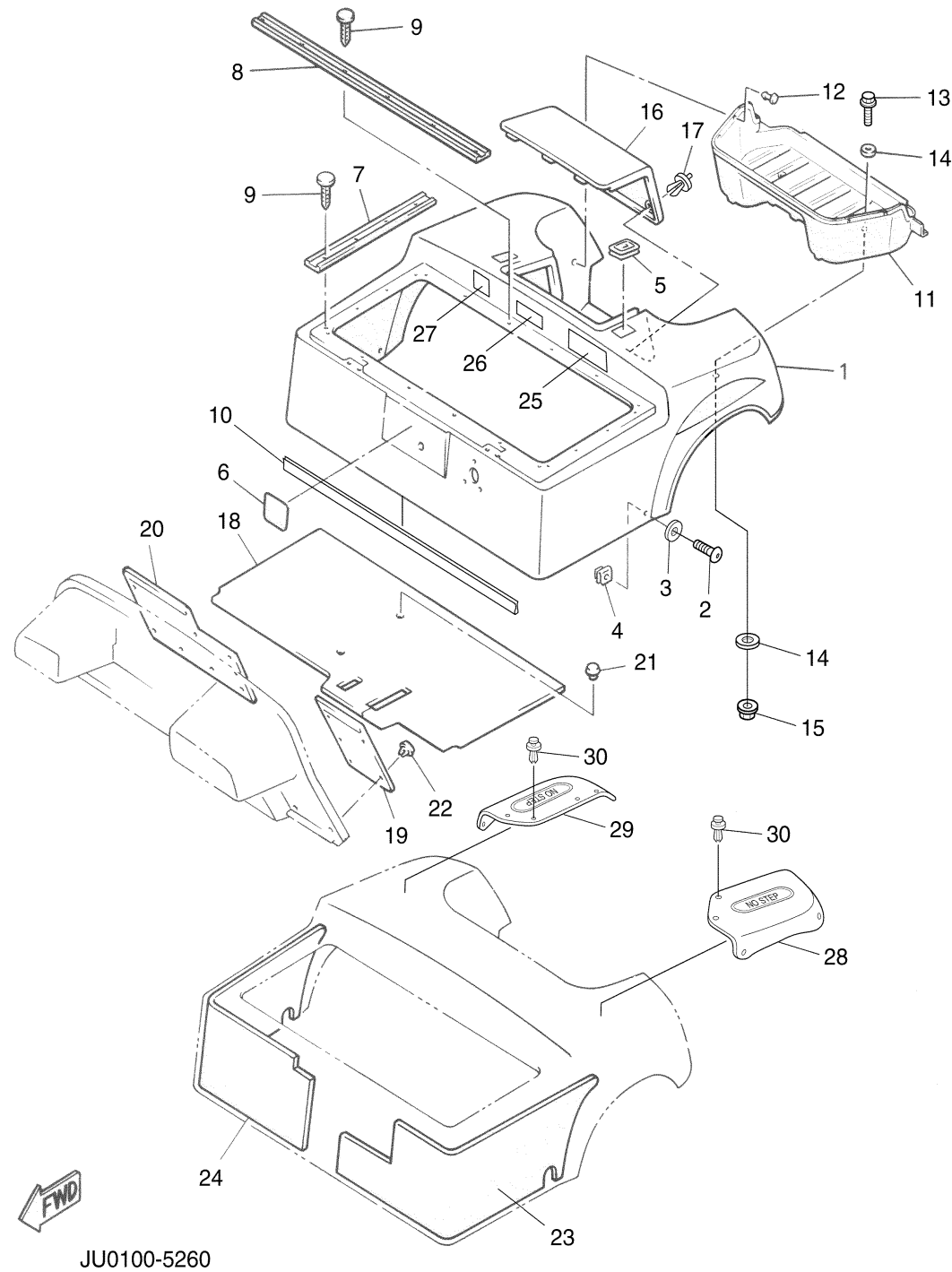
CONTENTS

ACCELERATOR	C2
AIR SHROUD FAN	A9
BODY 2 REAR	D2-3
BODY FITTING	D4
BODY FRONT	C12 ,D1
BRAKE	B10-11
BRAKE 2	B12
BRAKE 3	C1
BUMPER	C11
CAMSHAFT VALVE	A8
CARBURETOR	A11
CARRIER	D5
CRANKCASE	B1
CRANKSHAFT PISTON	A7
CYLINDER HEAD	A6
ELECTRICAL 1	D9
ELECTRICAL 2	D10-11
ENGINE ASSEMBLY	A5
ENGINE MOUNT	B2
EXHAUST	A12
FRAME	B4
FRONT SUSPENSION WHEEL	B5-6
FUEL TANK	B9
GOVERNOR	C3
INTAKE	A10
OPTIONAL HUB CAPS	D12
OPTIONAL LIGHT KIT	E3
OPTIONAL SUN ROOF	E2
OPTIONAL WINDSHIELD	E1
PRIMARY CLUTCH	C4
REAR ARM SUSPENSION	B3
REAR AXLE MOUNT WHEEL	C9
SEAT	D6
SECONDARY SHEAVE	C5
SHIFTER CABLES	C10
STARTER GENERATOR	D7-8
STEERING	B7-8
TRANSMISSION	C6-8



JU0100-5250

BODY 2 REAR



Ref. No.	Part Number	Description	Qty	Remarks
1	JN6-K8142-02-00	PANEL, REAR BODY	1	SEE NOTE A
	JN6-K8142-32-00	PANEL, REAR BODY (BURGUNDY)	1	SEE NOTE A
	JN6-K8142-52-00	PANEL, REAR BODY	1	SEE NOTE A
	JN6-K8142-62-00	PANEL, REAR BODY (CANDY APPLE RED METALLIC)	1	SEE NOTE A
	JN6-K8142-72-00	PANEL, REAR BODY (BRILLIANT BLUE METALLIC)	1	SEE NOTE A
2	90110-06200-00	BOLT, HEXAGON SOCKET HEAD	2	
3	90201-068H0-00	WASHER, PLATE	2	
4	90183-06811-00	NUT, SPRING	2	
5	JN3-K8363-00-00	PROTECTOR	2	
6	JN3-K7741-00-00	INDICATOR 1	1	SEE NOTE A
7	JN3-K8425-00-00	SEAL, SEAT	2	
8	JN3-K842A-00-00	SEAL, SEAT 2	2	
9	90338-05834-00	PLUG	20	
10	JN6-K824E-00-00	TRIM, REAR BODY 1	1	
11	JF2-K8237-00-00	COVER, REAR FLOOR	1	
12	90269-08813-00	RIVET	7	
13	90101-06876-00	BOLT	2	
14	90201-068G7-00	WASHER, PLATE	4	
15	90105-06836-00	NUT, SELF-LOCKING	2	
16	JU0-K8151-00-00	PANEL, INSPECTION LID 1	1	
17	90267-36853-00	RIVET, BLIND	2	
18	JN6-K8233-01-00	MAT, MAIN FLOOR 3	1	
19	JN6-K8231-01-00	MAT, MAIN FLOOR 1	1	
20	JN6-K8232-01-00	MAT, MAIN FLOOR 2	1	
21	90269-08813-00	RIVET	4	
22	90267-63047-00	RIVET, BLIND	9	
23	JN6-K8251-01-00	PAD, SILENCER 1	1	

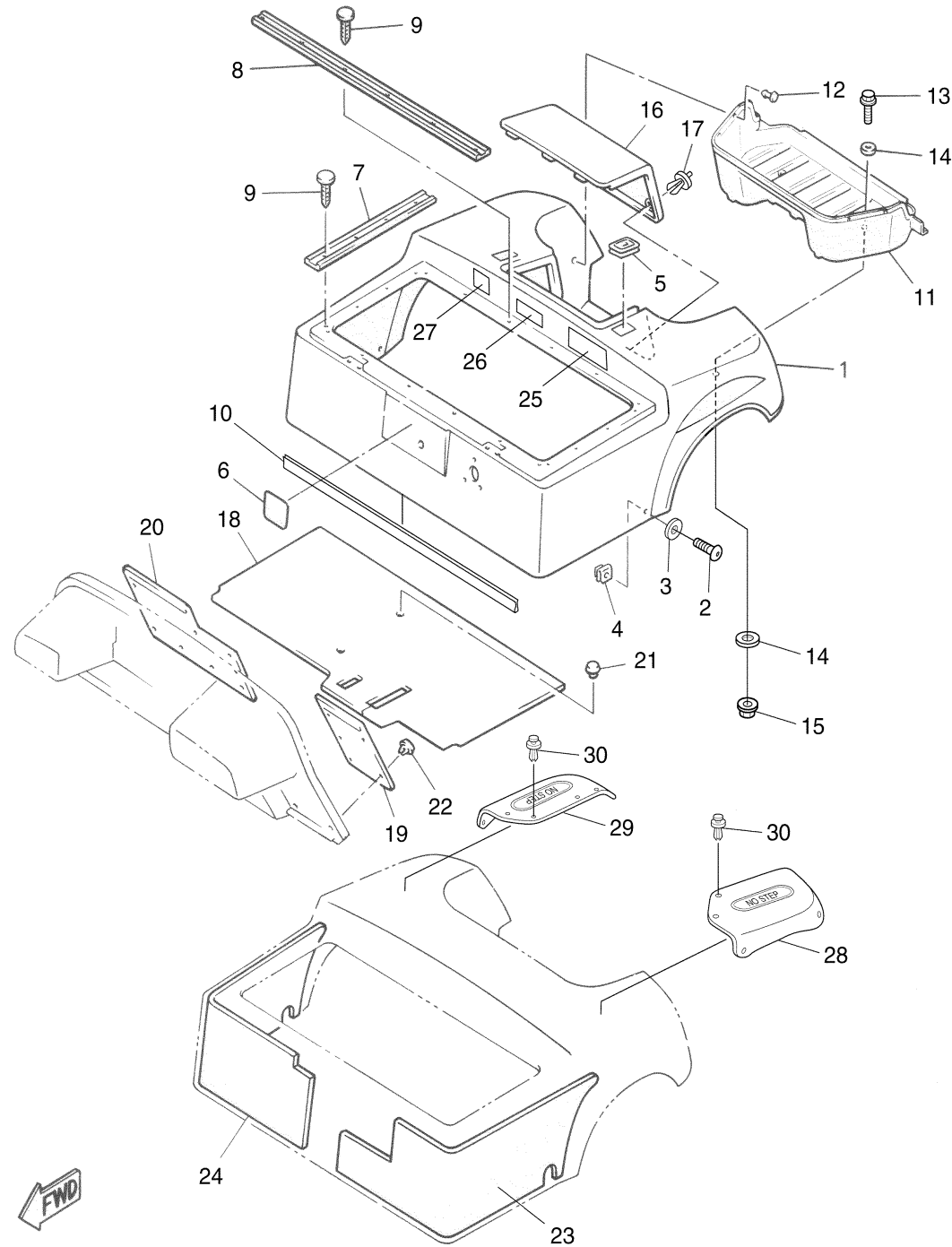
CONTENTS

ACCELERATOR	C2
AIR SHROUD FAN	A9
BODY 2 REAR	D2-3
BODY FITTING	D4
BODY FRONT	C12 ,D1
BRAKE	B10-11
BRAKE 2	B12
BRAKE 3	C1
BUMPER	C11
CAMSHAFT VALVE	A8
CARBURETOR	A11
CARRIER	D5
CRANKCASE	B1
CRANKSHAFT PISTON	A7
CYLINDER HEAD	A6
ELECTRICAL 1	D9
ELECTRICAL 2	D10-11
ENGINE ASSEMBLY	A5
ENGINE MOUNT	B2
EXHAUST	A12
FRAME	B4
FRONT SUSPENSION WHEEL	B5-6
FUEL TANK	B9
GOVERNOR	C3
INTAKE	A10
OPTIONAL HUB CAPS	D12
OPTIONAL LIGHT KIT	E3
OPTIONAL SUN ROOF	E2
OPTIONAL WINDSHIELD	E1
PRIMARY CLUTCH	C4
REAR ARM SUSPENSION	B3
REAR AXLE MOUNT WHEEL	C9
SEAT	D6
SECONDARY SHEAVE	C5
SHIFTER CABLES	C10
STARTER GENERATOR	D7-8
STEERING	B7-8
TRANSMISSION	C6-8

NOTE A: WHEN REPLACING "PANEL REAR BODY JN6-K8142-02-00 OR JU0-K8142-**-00", YOU MUST ALSO REPLACE "INDICATOR 1 JN3-K7741-00-00", "LABEL JN6-H2377-00-00", "PLATE CAUTION 3 JN3-K8299-10-00", AND "PLATE CAUTION 1 JN3-K8297-10-00".

CONTINUED ON NEXT FRAME ►

BODY 2 REAR



JU0100-5260

NOTE A: WHEN REPLACING "PANEL REAR BODY JN6-K8142-02-00 OR JU0-K8142-**-00", YOU MUST ALSO REPLACE "INDICATOR 1 JN3-K7741-00-00", "LABEL JN6-H2377-00-00", "PLATE CAUTION 3 JN3-K8299-10-00", AND "PLATE CAUTION 1 JN3-K8297-10-00".

Ref. No.	Part Number	Description	Qty	Remarks
24	JN6-K8252-01-00	PAD, SILNCER 2	1	
25	JN6-H2377-00-00	LABEL	1	UR, SEE NOTE A
26	JN3-K8299-10-00	PLATE, CAUTION	1	UR, SEE NOTE A
27	JN3-K8297-10-00	PLATE, CAUTION 1	1	UR, SEE NOTE A
28	JN8-K8243-00-00	MAT, BODY SIDE LEFT	1	
29	JN3-K8244-00-00	MAT, REAR BODY SIDE (RH)	1	
30	90269-07810-00	RIVET	10	

CONTENTS

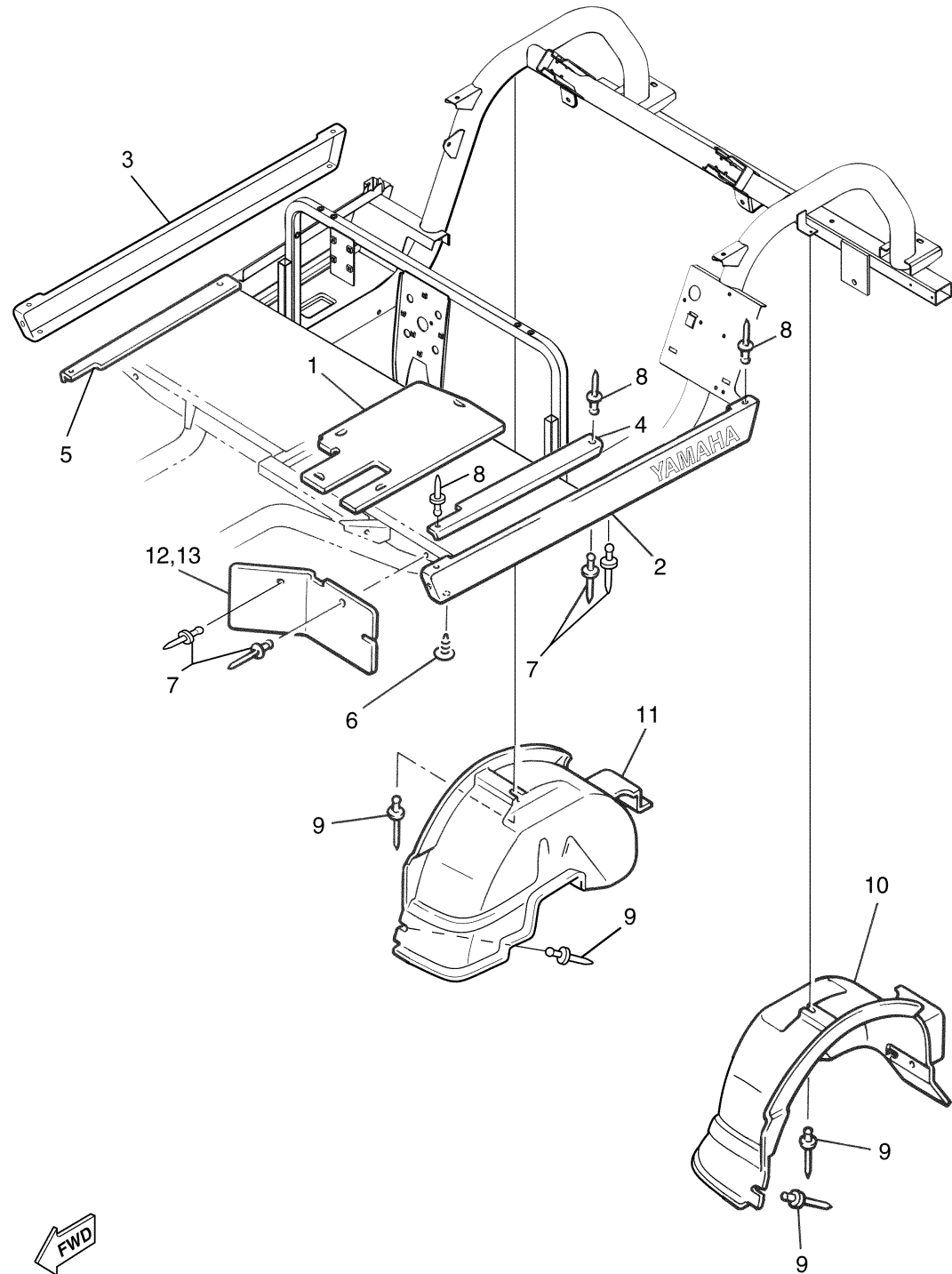
ACCELERATOR	C2
AIR SHROUD FAN	A9
BODY 2 REAR	D2-3
BODY FITTING	D4
BODY FRONT	C12 ,D1
BRAKE	B10-11
BRAKE 2	B12
BRAKE 3	C1
BUMPER	C11
CAMSHAFT VALVE	A8
CARBURETOR	A11
CARRIER	D5
CRANKCASE	B1
CRANKSHAFT PISTON	A7
CYLINDER HEAD	A6
ELECTRICAL 1	D9
ELECTRICAL 2	D10-11
ENGINE ASSEMBLY	A5
ENGINE MOUNT	B2
EXHAUST	A12
FRAME	B4
FRONT SUSPENSION WHEEL	B5-6
FUEL TANK	B9
GOVERNOR	C3
INTAKE	A10
OPTIONAL HUB CAPS	D12
OPTIONAL LIGHT KIT	E3
OPTIONAL SUN ROOF	E2
OPTIONAL WINDSHIELD	E1
PRIMARY CLUTCH	C4
REAR ARM SUSPENSION	B3
REAR AXLE MOUNT WHEEL	C9
SEAT	D6
SECONDARY SHEAVE	C5
SHIFTER CABLES	C10
STARTER GENERATOR	D7-8
STEERING	B7-8
TRANSMISSION	C6-8

BODY FITTING

Ref. No.	Part Number	Description	Qty	Remarks
1	JN6-K8271-00-00	SERVICE LID, PEDAL	1	
2	JU0-K818A-00-00	PROTECTOR, SIDE PLATE 1 ..	1	
3	JU0-K818B-00-00	PROTECTOR, SIDE PLATE 2 ..	1	
4	JF2-K8215-10-00	PLATE, SIDE TRIM 1	1	
5	JF2-K821F-10-00	PLATE, SIDE TRIM 2	1	
6	90338-05829-00	PLUG	4	
7	90267-48831-00	RIVET, BLIND	8	
8	90267-48154-00	RIVET, BLIND	6	
9	90267-48086-00	RIVET, BLIND	4	
10	JF2-K8191-00-00	PANEL, REAR FENDER 1	1	
11	JF2-K8192-00-00	PANEL, REAR FENDER 2	1	
12	JF2-K8187-00-00	FLAP, FRONT FENDER (L.H) ..	1	
13	JF2-K8189-00-00	FLAP, FRONT FENDER (R.H) .	1	

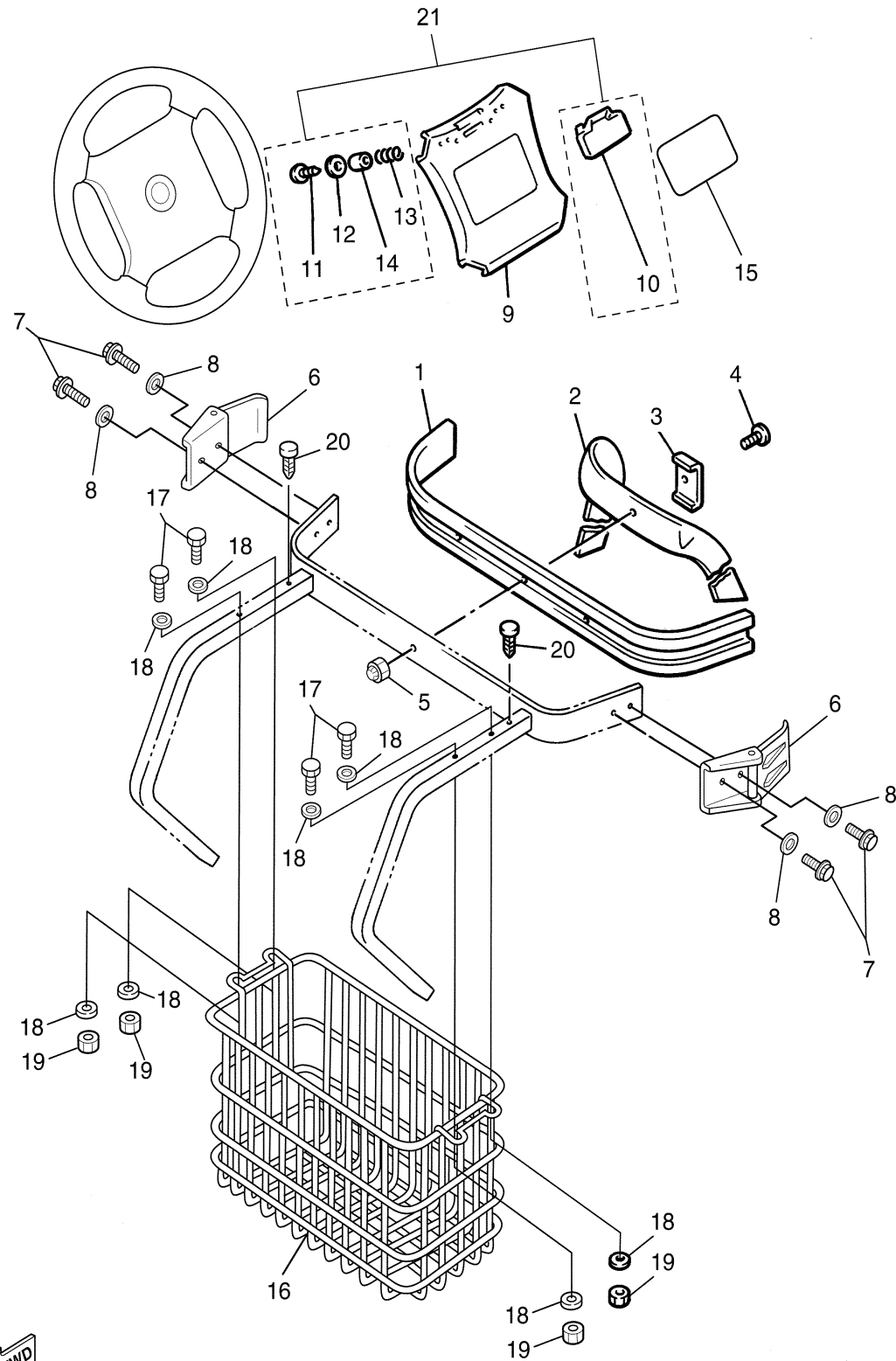
CONTENTS

ACCELERATOR	C2
AIR SHROUD FAN	A9
BODY 2 REAR	D2-3
BODY FITTING	D4
BODY FRONT	C12 ,D1
BRAKE	B10-11
BRAKE 2	B12
BRAKE 3	C1
BUMPER	C11
CAMSHAFT VALVE	A8
CARBURETOR	A11
CARRIER	D5
CRANKCASE	B1
CRANKSHAFT PISTON	A7
CYLINDER HEAD	A6
ELECTRICAL 1	D9
ELECTRICAL 2	D10-11
ENGINE ASSEMBLY	A5
ENGINE MOUNT	B2
EXHAUST	A12
FRAME	B4
FRONT SUSPENSION WHEEL	B5-6
FUEL TANK	B9
GOVERNOR	C3
INTAKE	A10
OPTIONAL HUB CAPS	D12
OPTIONAL LIGHT KIT	E3
OPTIONAL SUN ROOF	E2
OPTIONAL WINDSHIELD	E1
PRIMARY CLUTCH	C4
REAR ARM SUSPENSION	B3
REAR AXLE MOUNT WHEEL	C9
SEAT	D6
SECONDARY SHEAVE	C5
SHIFTER CABLES	C10
STARTER GENERATOR	D7-8
STEERING	B7-8
TRANSMISSION	C6-8



JU0100-6021

CARRIER



JU0100-5280

G22AY

D5

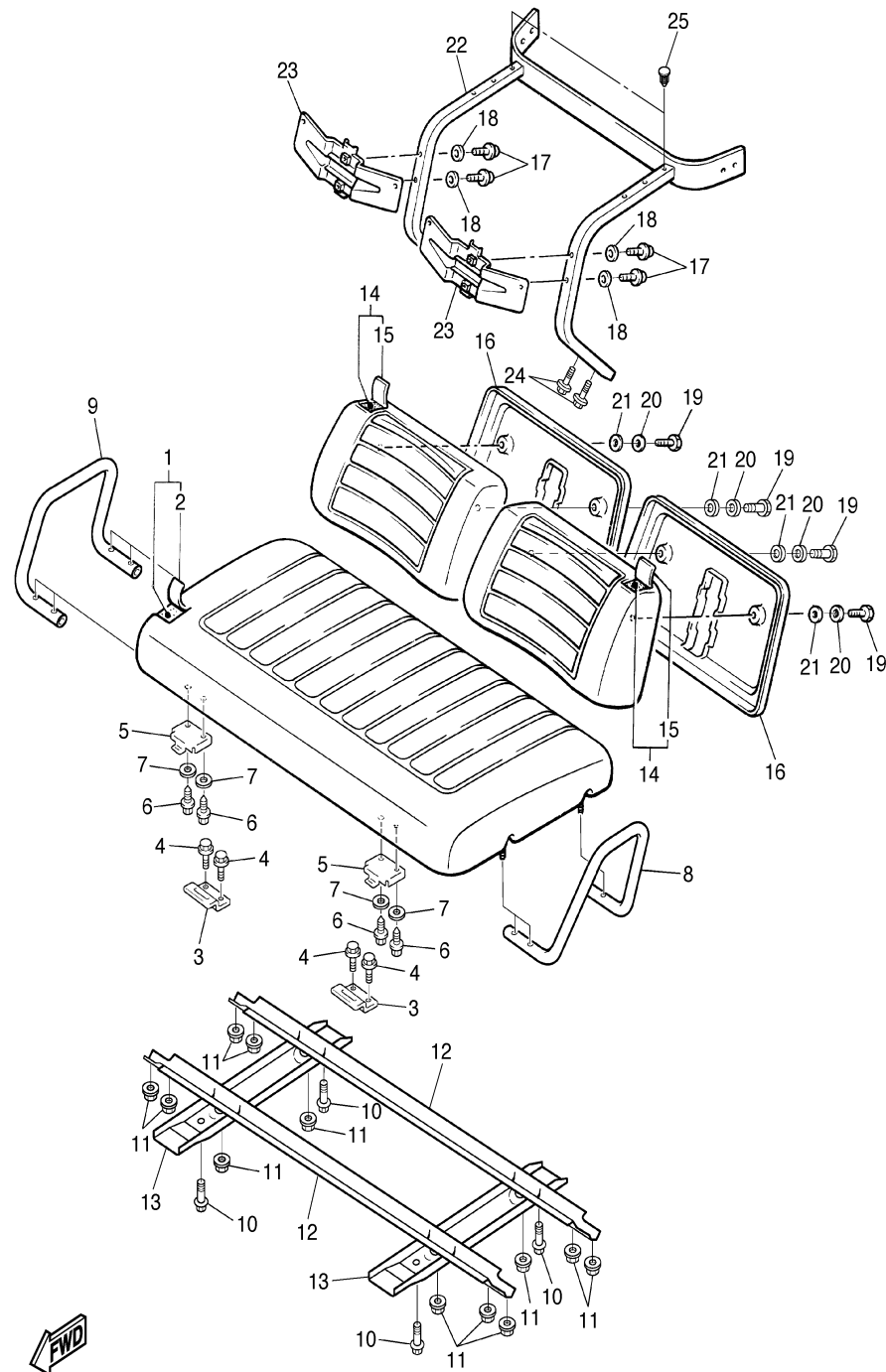
Ref. No.	Part Number	Description	Qty	Remarks
1	JF2-K8356-00-00	PAD, BAG SUPPORT	1	
2	JN6-K8355-00-00	BAND	1	
3	J38-78367-00-00	PLATE, ANCHOR	1	
4	90101-06865-00	BOLT	1	
5	90185-06836-00	NUT, SELF-LOCKING	1	
6	JN6-K8380-00-00	LOCK ASSY	2	
7	90159-06845-00	SCREW, WITH WASHER	4	
8	9299R-06200-00	WASHER	4	
9	JN3-K8357-00-00	HOLDER 1	1	MUST ALSO REPLACE LABEL WARNING 2
10	JN6-K8358-01-00	HOLDER 2	1	
11	97707-40625-00	.SCREW, TAPPING	2	
12	90201-044H9-00	WASHER, PLAIN	2	
13	90502-10013-00	SPRING, CONICAL	2	
14	90387-046N7-00	COLLAR	2	
15	JU0-K7762-00-00	LABEL, WARNING 2 (E)	1	INCL. WHEN REPLACING HOLDER 1.
	JU0-K7762-10-00	LABEL, WARNING 2 (UR, FOR CAN)	1	INCL. WHEN REPLACING HOLDER 1.
	JU0-K7762-20-00	LABEL, WARNING 2 (UR, FOR EUR)	1	INCL. WHEN REPLACING HOLDER 1.
16	JN6-K8340-00-00	LUGGAGE RACK ASSY., REAR	1	
17	90111-08803-00	BOLT	4	
18	90201-088R9-00	WASHER, PLATE	8	
19	90185-08832-00	NUT, SELF-LOCKING	2	
20	90338-09828-00	PLUG	2	
21	JN6-W001D-00-00	SCORE CARD HOLDER KIT ..	1	INCLUDES 10, 11, 12, 13 & 14.

CONTINUED ON NEXT FRAME ►

CONTENTS

ACCELERATOR	C2
AIR SHROUD FAN	A9
BODY 2 REAR	D2-3
BODY FITTING	D4
BODY FRONT	C12 ,D1
BRAKE	B10-11
BRAKE 2	B12
BRAKE 3	C1
BUMPER	C11
CAMSHAFT VALVE	A8
CARBURETOR	A11
CARRIER	D5
CRANKCASE	B1
CRANKSHAFT PISTON	A7
CYLINDER HEAD	A6
ELECTRICAL 1	D9
ELECTRICAL 2	D10-11
ENGINE ASSEMBLY	A5
ENGINE MOUNT	B2
EXHAUST	A12
FRAME	B4
FRONT SUSPENSION WHEEL	B5-6
FUEL TANK	B9
GOVERNOR	C3
INTAKE	A10
OPTIONAL HUB CAPS	D12
OPTIONAL LIGHT KIT	E3
OPTIONAL SUN ROOF	E2
OPTIONAL WINDSHIELD	E1
PRIMARY CLUTCH	C4
REAR ARM SUSPENSION	B3
REAR AXLE MOUNT WHEEL	C9
SEAT	D6
SECONDARY SHEAVE	C5
SHIFTER CABLES	C10
STARTER GENERATOR	D7-8
STEERING	B7-8
TRANSMISSION	C6-8

SEAT



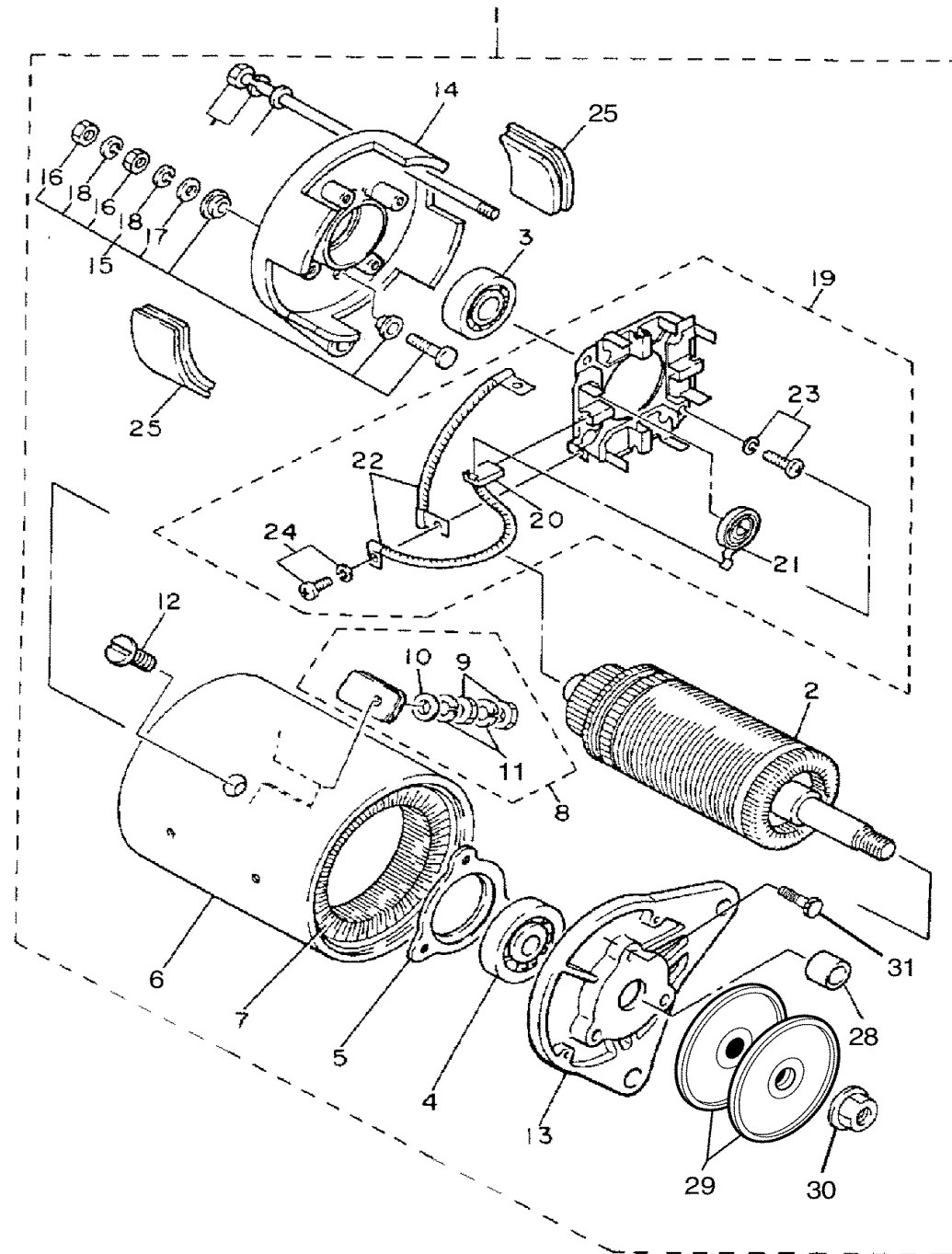
JT73010-C320

Ref. No.	Part Number	Description	Qty	Remarks
1	JN6-K8401-10-00	SEAT SUB-ASSY, CUSHION ..	1	UR IVORY WHITE
	JU0-K8401-00-00	SEAT SUB-ASSY, CUSHION ..	1	UR TAN
2	JN6-K8404-10-00	. COVER, SEAT	1	UR IVORY WHITE
	JU0-K8404-00-00	. COVER, SEAT	1	UR TAN
3	JF2-K8427-00-00	HINGE, SEAT 2	2	
4	90105-06903-00	BOLT, FLANGE	4	
5	JN3-K8426-01-00	HINGE, SEAT 1	2	
6	90111-06810-00	BOLT	4	
7	90204-06807-00	WASHER, SPRING	4	
8	JN6-K8361-00-00	ARM REST 1	1	
9	JU0-K8362-00-00	ARM REST 2	1	
10	90167-04815-00	SCREW, TAPPING	4	
11	9560P-08200-00	NUT	12	
12	JN6-K8121-00-00	REINFORCEMENT 1	2	
13	JN6-K8122-02-00	REINFORCEMENT 2	2	
14	JN3-K8402-00-00	SEAT SUB ASSY, BACK	2	UR IVORY WHITE
	JU0-K8402-00-00	SEAT SUB ASSY, BACK	2	UR TAN
15	JN3-K841G-09-00	. COVER, SEAT BACK 2	1	UR IVORY WHITE
	JU0-K841G-09-00	. COVER, SEAT BACK 2	1	UR TAN
16	JN3-K8413-00-00	COVER, SEAT BACK	2	
17	90119-08820-00	BOLT, WITH WASHER	4	
18	90201-098J4-00	WASHER, PLATE	4	
19	95880-06025-00	BOLT, FLANGE	4	
20	90201-068G0-00	WASHER, PLATE	4	
21	90201-068G6-00	WASHER, PLATE	4	
22	JU0-K8423-00-00	SUPPORT, SEAT BACK	1	
23	JN3-K842H-00-00	RETAINER, SEAT	2	
24	90105-08871-00	BOLT, FLANGE	4	
25	90338-09828-00	PLUG	2	

CONTENTS

ACCELERATOR	C2
AIR SHROUD & FAN	A9
ALTERNATE FOR LIGHT KIT	E1-2
ALTERNATE FOR SUN ROOF	D12
ALTERNATE FOR WINDSHIELD	D11
BODY	C12
BODY 2	D1-2
BODY FITTING	D3
BRAKE	B10-11
BRAKE 2	B12
BRAKE 3	C1
BUMPER	C11
CAMSHAFT & VALVE	A8
CARBURETOR	A11
CARRIER	D4
CRANKCASE	B1
CRANKSHAFT & PISTON	A7
CYLINDER HEAD	A6
ELECTRICAL 1	D8
ELECTRICAL 2	D9-10
ENGINE ASSEMBLY	A5
ENGINE BRACKET	B2
EXHAUST	A12
FRAME	B4
FRONT SUSPENSION & WHEEL	B5-6
FUEL TANK	B9
GOVERNOR	C3
INTAKE	A10
PRIMARY SHEAVE	C4
REAR ARM & SUSPENSION	B3
REAR AXLE MOUNT & WHEEL	C9
SEAT	D5
SECONDARY SHEAVE	C5
SHIFTER & CABLES	C10
STARTING MOTOR	D6-7
STEERING	B7-8
TRANSMISSION 1	C6-8

STARTER GENERATOR



Ref. No.	Part Number	Description	Qty	Remarks
1	JN6-H1100-01-00	STARTER GENERATOR	1	
2	JN3-H1150-00-00	. ARMATURE ASSY	1	
3	93306-20226-00	. BEARING 1 (6202 SD)	1	
4	J10-81158-10-00	. BEARING 2 (6203 SD)	1	
5	J10-81159-10-00	. HOLDER, BEARING	1	
6	JN6-H1110-10-00	STATOR ASSY	1	
7	JN6-H1160-10-00	. FIELD COIL ASSY	1	
8	J10-81148-10-00	. SCREW SET 4	2	
9	95380-06600-00	. NUT	4	
10	92990-06600-00	. WASHER, PLATE	2	
11	92995-06100-00	. WASHER, SPRING	4	
12	J10-81146-10-00	..SCREW 2	4	
13	J38-81165-10-00	. BRACKET, STARTER GENERATOR 1	1	
14	J10-81166-10-00	. BRACKET, STARTER GENERATOR 2	1	
15	J10-81147-10-00	. SCREW 3	2	
16	95380-06600-00	NUT	4	
17	92990-06600-00	. WASHER, PLATE	2	
18	92995-06100-00	. WASHER, SPRING	4	
19	JF2-81119-00-00	. BRUSH HOLDER ASSY	1	
20	JF2-81111-00-00	. BRUSH	4	
21	J38-81113-10-00	. SPRING, BRUSH	4	
22	J10-81115-10-00	. WIRE, LEAD	2	
23	98507-05016-00	. SCREW, PAN HEAD	2	
24	98580-04010-00	..SCREW, PAN HEAD	4	
25	J10-81129-10-00	. COVER, BRUSH	4	
26	J10-81145-10-00	. SCREW 1	2	
27	92990-06600-00	. WASHER, PLATE	2	
28	JN3-H1661-00-00	. SPACER	1	
29	JN3-H1161-00-00	..PULLEY	2	

CONTENTS

ACCELERATOR	C2
AIR SHROUD FAN	A9
BODY 2 REAR	D2-3
BODY FITTING	D4
BODY FRONT	C12 ,D1
BRAKE	B10-11
BRAKE 2	B12
BRAKE 3	C1
BUMPER	C11
CAMSHAFT VALVE	A8
CARBURETOR	A11
CARRIER	D5
CRANKCASE	B1
CRANKSHAFT PISTON	A7
CYLINDER HEAD	A6
ELECTRICAL 1	D9
ELECTRICAL 2	D10-11
ENGINE ASSEMBLY	A5
ENGINE MOUNT	B2
EXHAUST	A12
FRAME	B4
FRONT SUSPENSION WHEEL	B5-6
FUEL TANK	B9
GOVERNOR	C3
INTAKE	A10
OPTIONAL HUB CAPS	D12
OPTIONAL LIGHT KIT	E3
OPTIONAL SUN ROOF	E2
OPTIONAL WINDSHIELD	E1
PRIMARY CLUTCH	C4
REAR ARM SUSPENSION	B3
REAR AXLE MOUNT WHEEL	C9
SEAT	D6
SECONDARY SHEAVE	C5
SHIFTER CABLES	C10
STARTER GENERATOR	D7-8
STEERING	B7-8
TRANSMISSION	C6-8

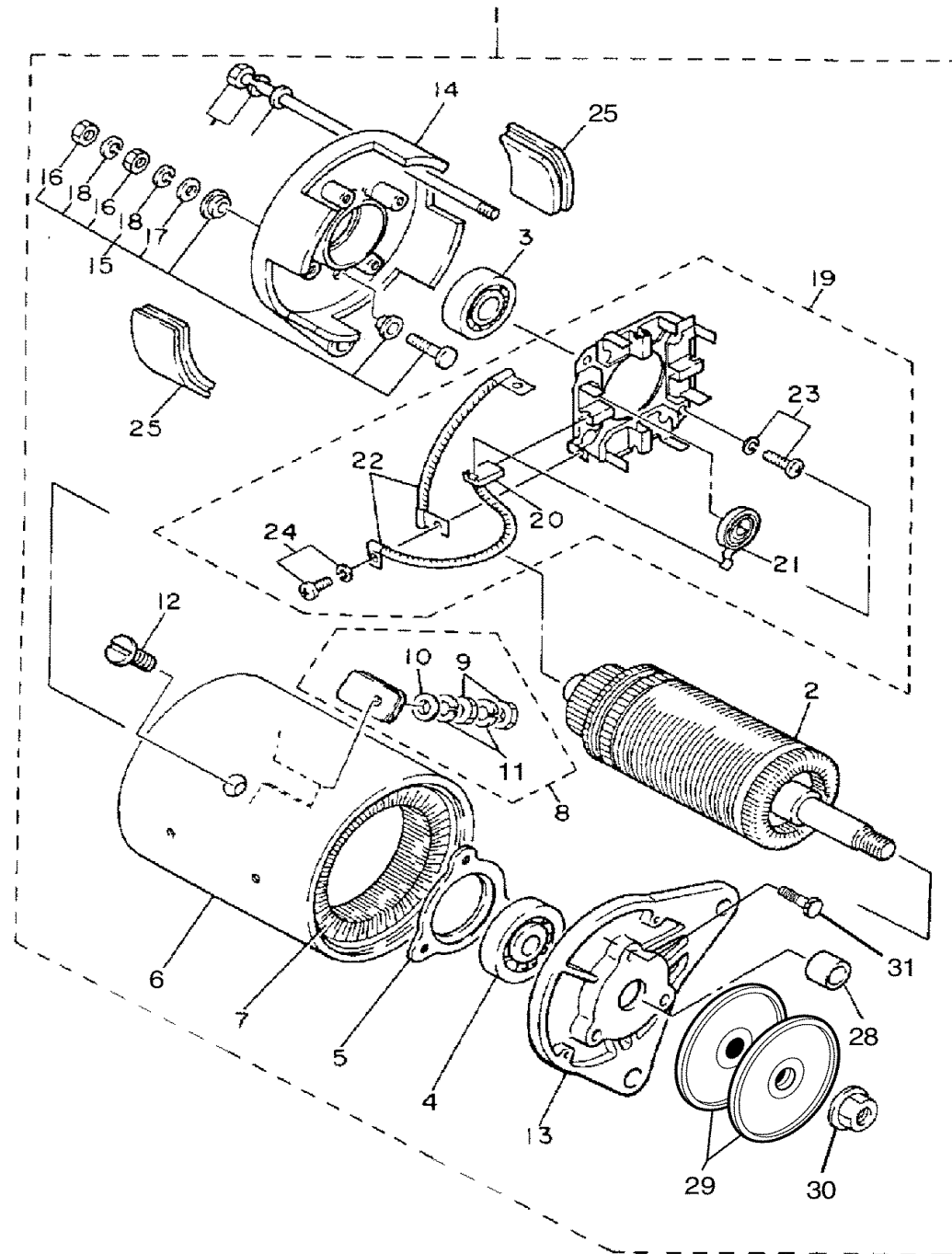


JN6100-6232

CONTINUED ON NEXT FRAME >

D7

STARTER GENERATOR



Ref. No.	Part Number	Description	Qty	Remarks
30	90179-16889-00	. NUT	1	
31	98507-05018-00	. SCREW, PAN HEAD	3	

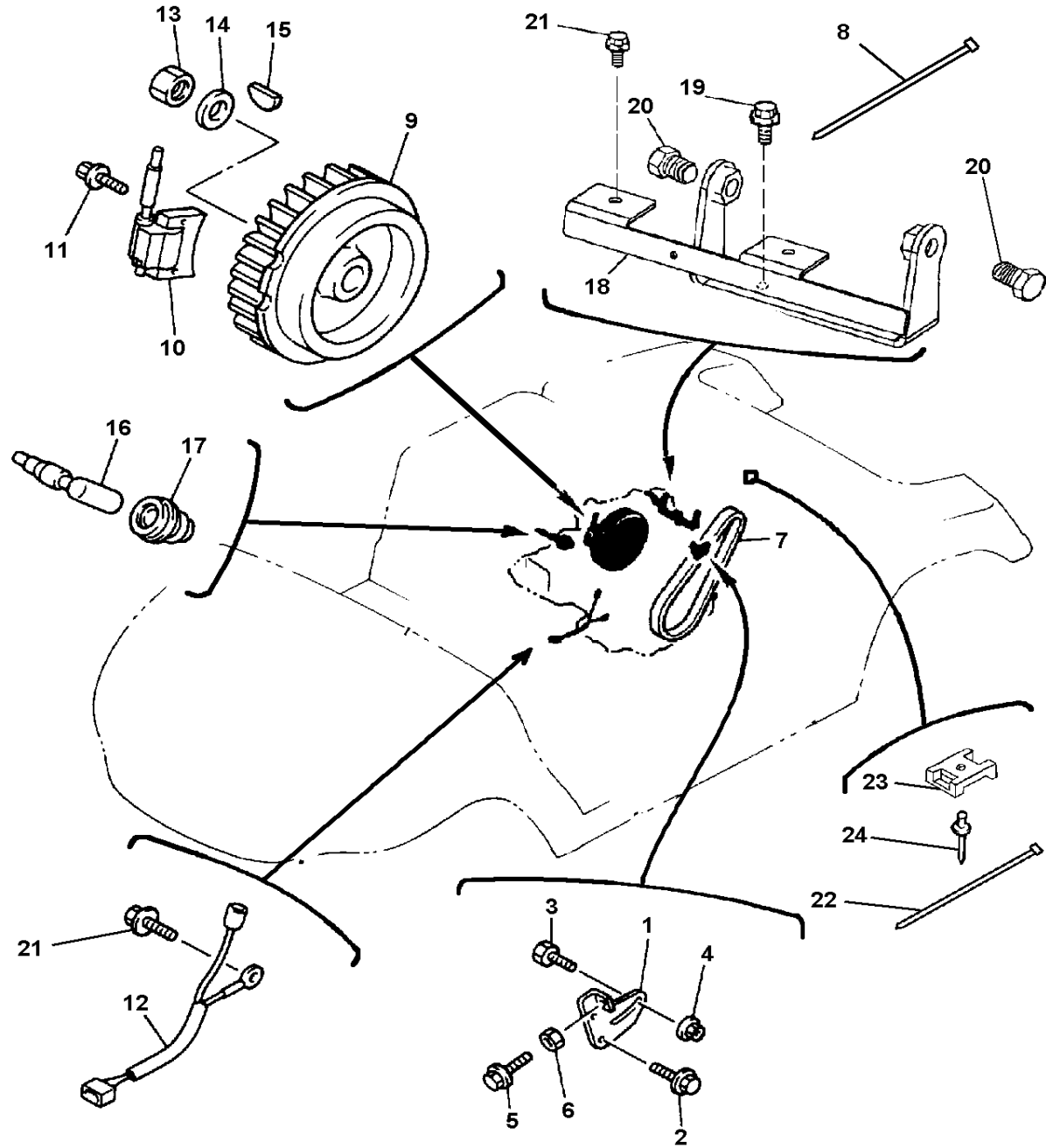
CONTENTS

ACCELERATOR	C2
AIR SHROUD FAN	A9
BODY 2 REAR	D2-3
BODY FITTING	D4
BODY FRONT	C12 ,D1
BRAKE	B10-11
BRAKE 2	B12
BRAKE 3	C1
BUMPER	C11
CAMSHAFT VALVE	A8
CARBURETOR	A11
CARRIER	D5
CRANKCASE	B1
CRANKSHAFT PISTON	A7
CYLINDER HEAD	A6
ELECTRICAL 1	D9
ELECTRICAL 2	D10-11
ENGINE ASSEMBLY	A5
ENGINE MOUNT	B2
EXHAUST	A12
FRAME	B4
FRONT SUSPENSION WHEEL	B5-6
FUEL TANK	B9
GOVERNOR	C3
INTAKE	A10
OPTIONAL HUB CAPS	D12
OPTIONAL LIGHT KIT	E3
OPTIONAL SUN ROOF	E2
OPTIONAL WINDSHIELD	E1
PRIMARY CLUTCH	C4
REAR ARM SUSPENSION	B3
REAR AXLE MOUNT WHEEL	C9
SEAT	D6
SECONDARY SHEAVE	C5
SHIFTER CABLES	C10
STARTER GENERATOR	D7-8
STEERING	B7-8
TRANSMISSION	C6-8



JN6100-6232

ELECTRICAL 1



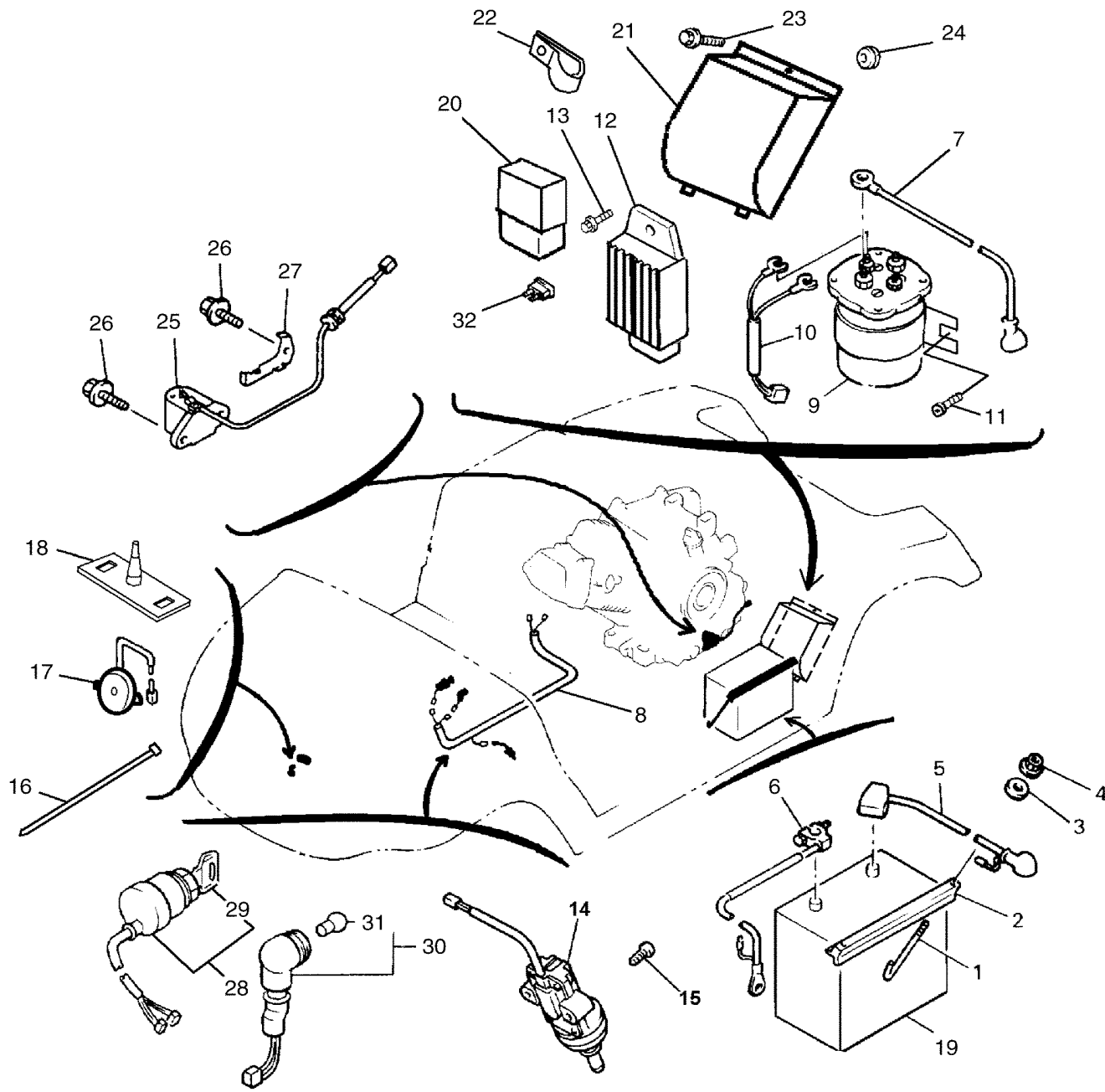
Ref. No.	Part Number	Description	Qty	Remarks
1	JN6-H1170-00-00	TENSIONER ASSY	1	
2	9582P-08020-00	BOLT, FLANGE	2	
3	90109-08875-00	BOLT	1	
4	90179-08491-00	NUT	1	
5	90101-06478-00	BOLT	1	
6	95317-06600-00	NUT, HEX	1	
7	JN6-H1173-00-00	BELT	1	
8	90464-09823-00	CLAMP	1	
9	JR7-85650-00-00	ROTOR ASSY	1	
10	JN6-85640-00-00	T.C.I. UNIT	1	
11	95817-06025-00	BOLT, FLANGE	2	
12	JN6-82318-00-00	WIRE, SUB-LEAD	1	
13	95307-18600-00	NUT	1	
14	90201-18620-00	WASHER, PLATE	1	
15	90280-04052-00	KEY, WOODRUFF	1	
16	JN6-82370-00-00	PLUG CAP ASSY	1	
17	JE8-82372-00-00	SEAL, PLUG CAP	1	
18	JN6-H1171-00-00	BRACKET, STARTER GENERATOR	1	
19	9582P-08020-00	BOLT, FLANGE	2	
20	95817-12025-00	BOLT, FLANGE	2	
21	95817-06016-00	BOLT, FLANGE	3	
22	90464-40825-00	CLAMP	3	
23	90207-05800-00	WASHER, FINISH	1	
24	90267-489U9-00	RIVET, BLIND	1	

CONTENTS

ACCELERATOR	C2
AIR SHROUD FAN	A9
BODY 2 REAR	D2-3
BODY FITTING	D4
BODY FRONT	C12 ,D1
BRAKE	B10-11
BRAKE 2	B12
BRAKE 3	C1
BUMPER	C11
CAMSHAFT VALVE	A8
CARBURETOR	A11
CARRIER	D5
CRANKCASE	B1
CRANKSHAFT PISTON	A7
CYLINDER HEAD	A6
ELECTRICAL 1	D9
ELECTRICAL 2	D10-11
ENGINE ASSEMBLY	A5
ENGINE MOUNT	B2
EXHAUST	A12
FRAME	B4
FRONT SUSPENSION WHEEL	B5-6
FUEL TANK	B9
GOVERNOR	C3
INTAKE	A10
OPTIONAL HUB CAPS	D12
OPTIONAL LIGHT KIT	E3
OPTIONAL SUN ROOF	E2
OPTIONAL WINDSHIELD	E1
PRIMARY CLUTCH	C4
REAR ARM SUSPENSION	B3
REAR AXLE MOUNT WHEEL	C9
SEAT	D6
SECONDARY SHEAVE	C5
SHIFTER CABLES	C10
STARTER GENERATOR	D7-8
STEERING	B7-8
TRANSMISSION	C6-8

JN6100-6240

ELECTRICAL 2



FWD
JU0100-5320

Ref. No.	Part Number	Description	Qty	Remarks
1	JN3-H2133-00-00	SCREW, FITTING	2	
2	J55-H2136-00-00	PLATE, BATTERY FITTING	1	
3	92907-06200-00	.WASHER	2	
4	95707-06500-00	NUT, FLANGE	2	
5	JN6-H2115-01-00	WIRE, PLUS LEAD	1	
6	JN6-H2116-01-00	WIRE, MINUS LEAD	1	
7	JN6-H2117-00-00	WIRE, LEAD	1	
8	JN6-H2590-00-00	WIRE HARNESS	1	WITH #33 FUSE
9	JR3-H1950-00-00	RELAY ASSY	1	
10	JN6-H2105-00-00	WIRE HARNESS	1	
11	90163-06005-00	SCREW, TAPPING	2	
12	JF2-81910-01-00	VOLTAGE REGULATOR ASSY	1	
13	90105-06876-00	BOLT, FLANGE	1	
14	JF7-82817-20-00	SWITCH	1	
15	97607-05325-00	SCREW, PAN HEAD W/WASHER	2	
16	90464-31827-00	CLAMP	4	
17	JR1-H3383-01-00	BUZZER	1	
18	JN6-H3386-00-00	STAY, BUZZER	1	
19	NOT-AVAIL-AB-LE	BATTERY, 12V, GROUP 24	1	OBTAIN LOCALLY (CCA: MIN. 400A)
20	4U8-81950-02-00	RELAY ASSY	1	
21	JN6-H1942-00-00	COVER	1	
22	90461-16802-00	CLAMP	1	
23	90105-06876-00	BOLT, FLANGE	2	
24	90480-25856-00	GROMMET	1	
25	JN6-85720-12-00	OIL LEVEL GAUGE ASSY	1	
26	95817-06012-00	BOLT, FLANGE	4	
27	JN6-95724-00-00	CLAMP, OIL LEVEL	1	
28	JN8-82510-02-00	MAIN SWITCH ASSY	1	
	JN8-82510-10-00	MAIN SWITCH ASSY, RANDOM KEY	1	AP

CONTENTS

ACCELERATOR	C2
AIR SHROUD FAN	A9
BODY 2 REAR	D2-3
BODY FITTING	D4
BODY FRONT	C12 ,D1
BRAKE	B10-11
BRAKE 2	B12
BRAKE 3	C1
BUMPER	C11
CAMSHAFT VALVE	A8
CARBURETOR	A11
CARRIER	D5
CRANKCASE	B1
CRANKSHAFT PISTON	A7
CYLINDER HEAD	A6
ELECTRICAL 1	D9
ELECTRICAL 2	D10-11
ENGINE ASSEMBLY	A5
ENGINE MOUNT	B2
EXHAUST	A12
FRAME	B4
FRONT SUSPENSION WHEEL	B5-6
FUEL TANK	B9
GOVERNOR	C3
INTAKE	A10
OPTIONAL HUB CAPS	D12
OPTIONAL LIGHT KIT	E3
OPTIONAL SUN ROOF	E2
OPTIONAL WINDSHIELD	E1
PRIMARY CLUTCH	C4
REAR ARM SUSPENSION	B3
REAR AXLE MOUNT WHEEL	C9
SEAT	D6
SECONDARY SHEAVE	C5
SHIFTER CABLES	C10
STARTER GENERATOR	D7-8
STEERING	B7-8
TRANSMISSION	C6-8

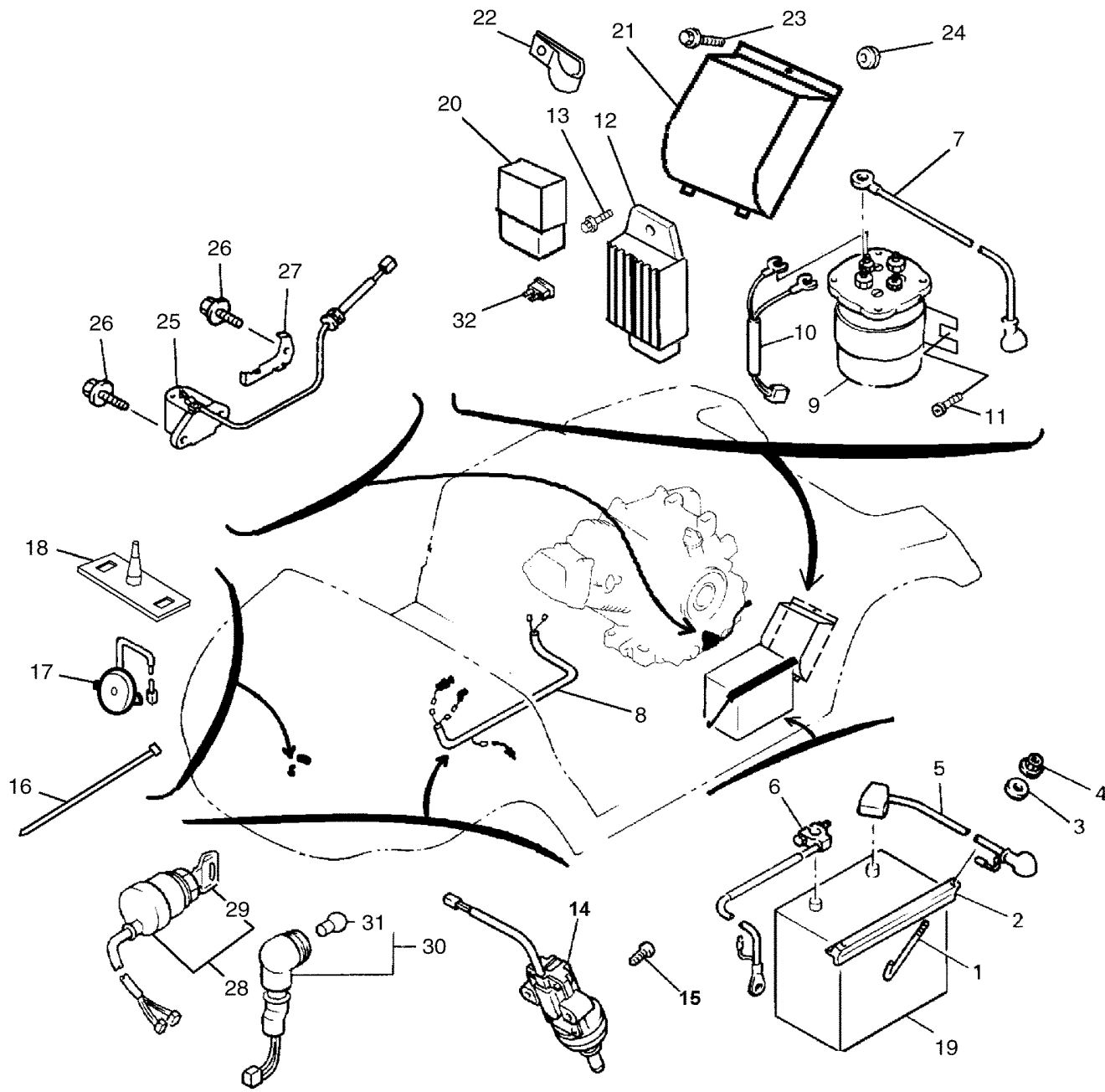
CONTINUED ON NEXT FRAME ►

ELECTRICAL 2

Ref. No.	Part Number	Description	Qty	Remarks
29	J44-82511-00-YY	KEY, MAIN SWITCH	1	STD. SWITCH ONLY
30	JN6-83530-00-00	PILOT LIGHT ASSY	1	
31	123-83516-21-XX	. BULB (12V-3.4W)	1	
32	42X-82151-00-00	.FUSE (10A-BL)	1	

CONTENTS

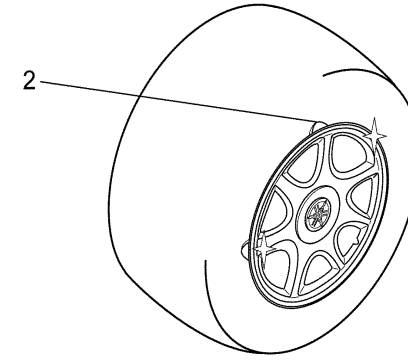
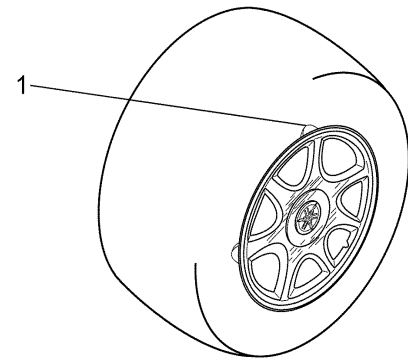
ACCELERATOR	C2
AIR SHROUD FAN	A9
BODY 2 REAR	D2-3
BODY FITTING	D4
BODY FRONT	C12 ,D1
BRAKE	B10-11
BRAKE 2	B12
BRAKE 3	C1
BUMPER	C11
CAMSHAFT VALVE	A8
CARBURETOR	A11
CARRIER	D5
CRANKCASE	B1
CRANKSHAFT PISTON	A7
CYLINDER HEAD	A6
ELECTRICAL 1	D9
ELECTRICAL 2	D10-11
ENGINE ASSEMBLY	A5
ENGINE MOUNT	B2
EXHAUST	A12
FRAME	B4
FRONT SUSPENSION WHEEL	B5-6
FUEL TANK	B9
GOVERNOR	C3
INTAKE	A10
OPTIONAL HUB CAPS	D12
OPTIONAL LIGHT KIT	E3
OPTIONAL SUN ROOF	E2
OPTIONAL WINDSHIELD	E1
PRIMARY CLUTCH	C4
REAR ARM SUSPENSION	B3
REAR AXLE MOUNT WHEEL	C9
SEAT	D6
SECONDARY SHEAVE	C5
SHIFTER CABLES	C10
STARTER GENERATOR	D7-8
STEERING	B7-8
TRANSMISSION	C6-8



JU0100-5320

OPTIONAL HUB CAPS

Ref. No.	Part Number	Description	Qty	Remarks
1	JN6-F512M-C0-00	HUB-CAP, CHROME	4	COMES WITH CLIPS
2	JN6-F512M-SM-00	HUB-CAP, BRUSHED ALUMINUM	4	COMES WITH CLIPS



CONTENTS

ACCELERATOR	C2
AIR SHROUD FAN	A9
BODY 2 REAR	D2-3
BODY FITTING	D4
BODY FRONT	C12 ,D1
BRAKE	B10-11
BRAKE 2	B12
BRAKE 3	C1
BUMPER	C11
CAMSHAFT VALVE	A8
CARBURETOR	A11
CARRIER	D5
CRANKCASE	B1
CRANKSHAFT PISTON	A7
CYLINDER HEAD	A6
ELECTRICAL 1	D9
ELECTRICAL 2	D10-11
ENGINE ASSEMBLY	A5
ENGINE MOUNT	B2
EXHAUST	A12
FRAME	B4
FRONT SUSPENSION WHEEL	B5-6
FUEL TANK	B9
GOVERNOR	C3
INTAKE	A10
OPTIONAL HUB CAPS	D12
OPTIONAL LIGHT KIT	E3
OPTIONAL SUN ROOF	E2
OPTIONAL WINDSHIELD	E1
PRIMARY CLUTCH	C4
REAR ARM SUSPENSION	B3
REAR AXLE MOUNT WHEEL	C9
SEAT	D6
SECONDARY SHEAVE	C5
SHIFTER CABLES	C10
STARTER GENERATOR	D7-8
STEERING	B7-8
TRANSMISSION	C6-8



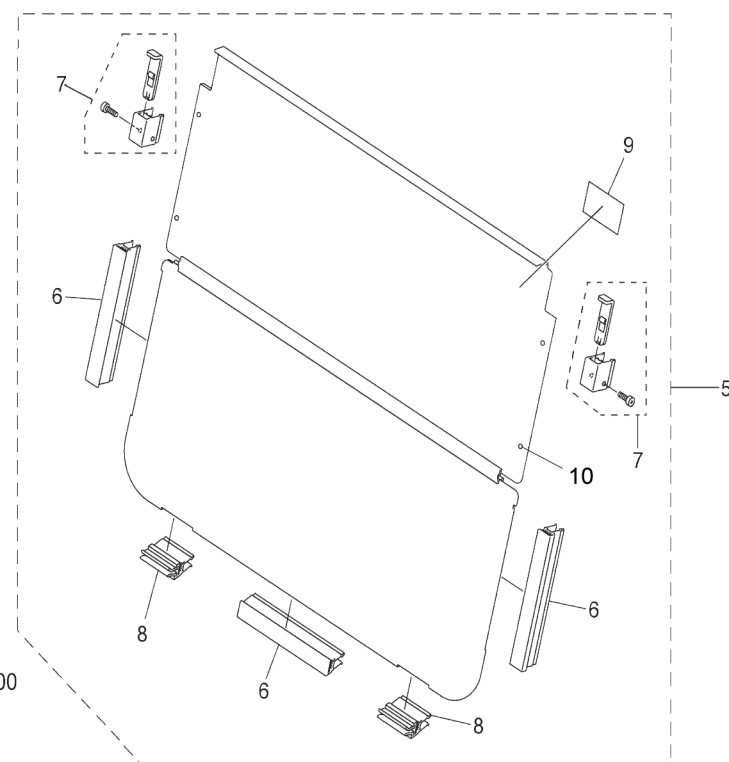
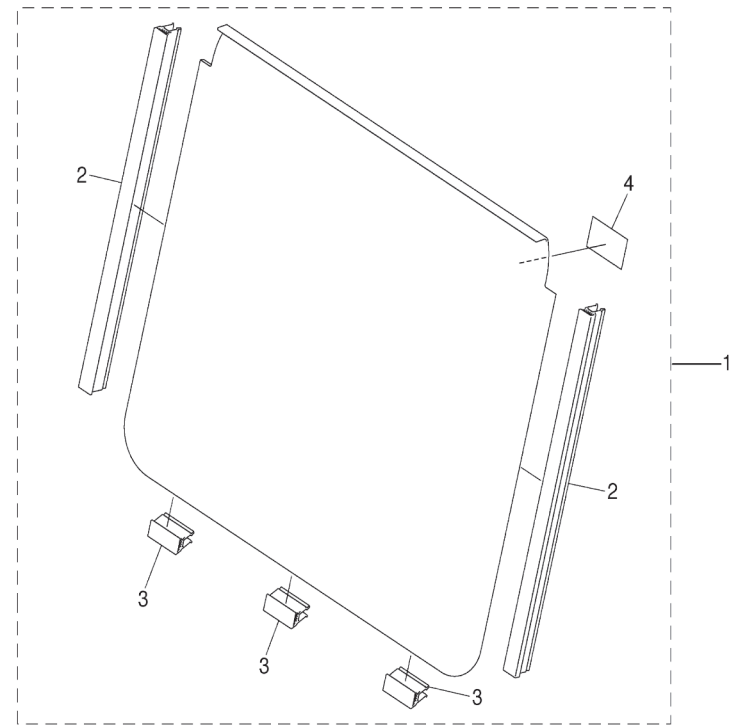
JU0100-5340

OPTIONAL WINDSHIELD

Ref. No.	Part Number	Description	Qty	Remarks
1	JU0-K7200-03-00	WINDSHIELD ASSY, SOLID (CLEAR)	1	UR AP
	JU0-K7200-13-00	WINDSHIELD ASSY, SOLID (TINTED)	1	UR AP
2	JU0-K838A-20-00	. RETAINER 1	2	
3	JU0-K838A-10-00	. RETAINER 1	3	
4	JU0-K7458-00-00	. LABEL, WARNING	1	
5	JU0-K7200-22-00	WINDSHIELD ASSY, HINGED (CLEAR)	1	UR AP
	JU0-K7200-32-00	WINDSHIELD ASSY, HINGED (SMOKE)	1	UR AP
6	JU0-K838B-00-00	. RETAINER 2	3	
7	GCA-WSUPP-ER-KT	. UPPER, LATCH 2	1	
8	JU0-K7222-01-00	. BRACKET, WINDSHIELD (R.H.)	2	
9	JU0-K7458-00-00	. LABEL, WARNING	1	
10	JN3-K7238-00-00	. DAMPER, WINDSHIELD	4	

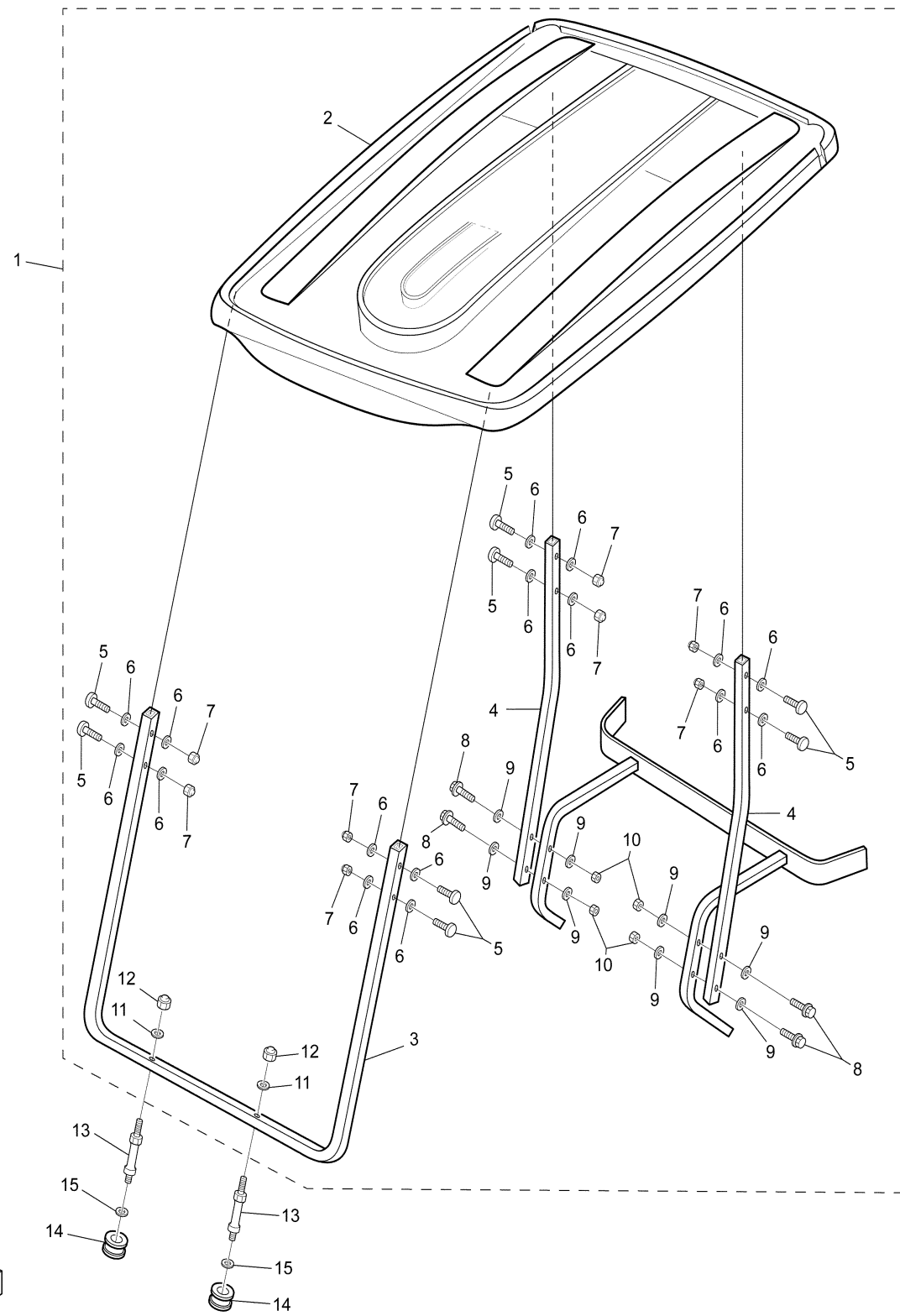
CONTENTS

- ACCELERATOR
- BATTERY CHARGER MAC
- BODY
- BODY 2
- BODY FITTING
- BRAKE
- BRAKE 2
- BRAKE 3
- BUMPER
- CARRIER
- CONTROLLER 1
- ELECTRIC MOTOR
- ELECTRICAL 1
- FRAME
- FRONT SUSPENSION & WHEEL A7-8
- OPTIONAL ENERGY/HOUR GAUGES C12
- OPTIONAL LIGHT KIT
- OPTIONAL SUN ROOF
- OPTIONAL WINDSHIELD
- REAR ARM & SUSPENSION
- REAR AXLE MOUNT & WHEEL
- SEAT
- STEERING
- TRANSAXLE



JU22100-D200

OPTIONAL SUN ROOF



JU0100-5370

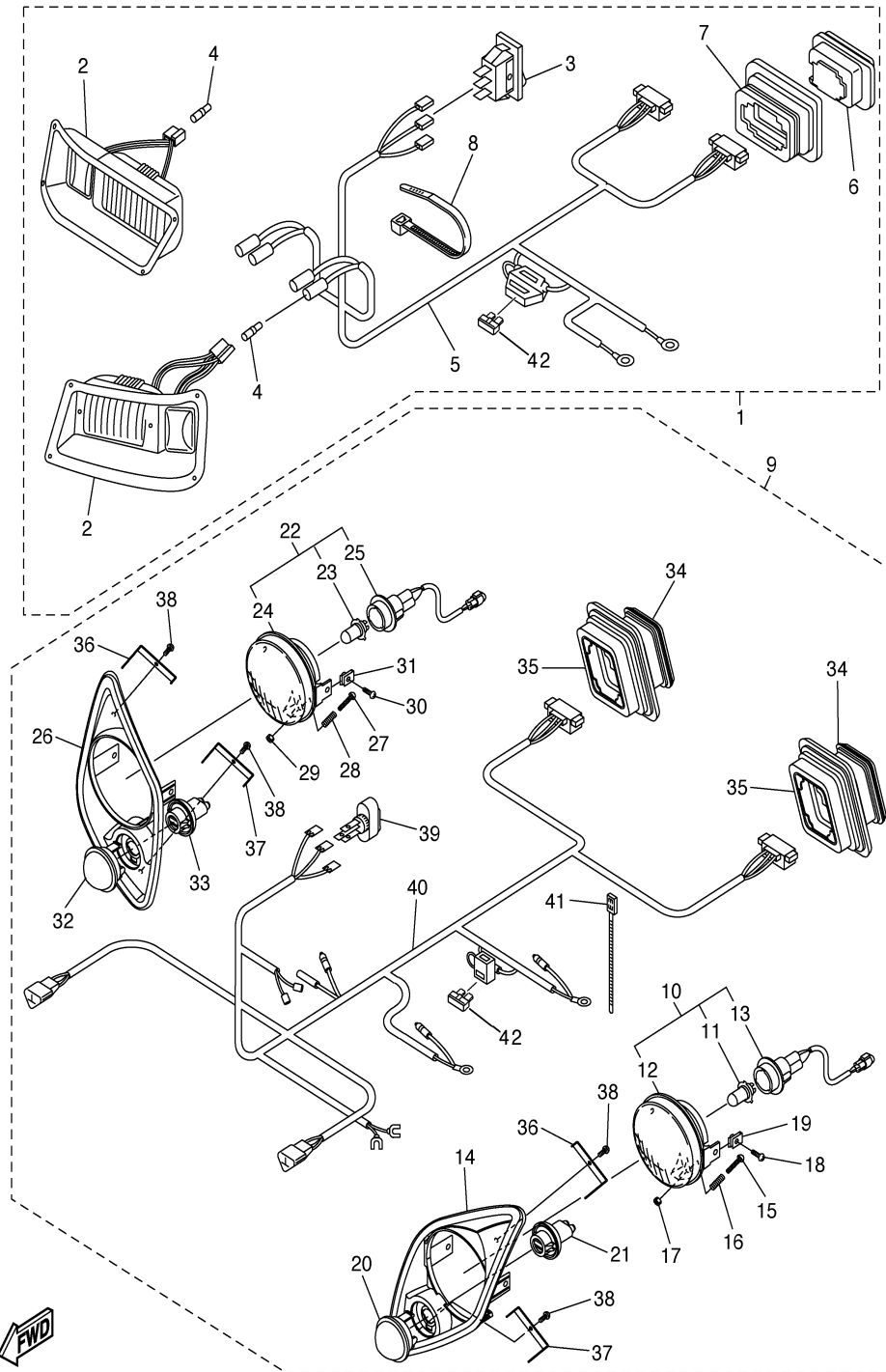
G22AY

Ref. No.	Part Number	Description	Qty	Remarks
1	JU0-K8310-00-00	SUN ROOF ASSY	1	UR IVORY
	JU0-K8310-10-00	SUN ROOF ASSY	1	UR TAN
2	JU0-K8314-00-00	. COVER, SUN ROOF	1	UR IVORY
	JU0-K8314-10-00	. COVER, SUN ROOF	1	UR TAN
3	JU0-K8312-01-00	. SUPPORT, SUN ROOF 1	1	
4	JU0-K8313-01-00	. SUPPORT, SUN ROOF 2	2	
5	JU0-K8388-00-00	. BOLT, ROOF 1	8	
6	90201-088T2-00	. WASHER, PLATE	16	
7	JU0-K8398-00-00	. NUT, ROOF 1	8	
8	90101-22864-00	. BOLT	4	
9	90201-088J3-00	. WASHER, PLATE	8	
10	90185-12835-00	. NUT, SELF-LOCKING	4	
11	90201-098J4-00	. WASHER, PLATE	2	
12	90176-08801-00	. NUT, CROWN	2	
13	JU0-K834A-00-00	. REINF., HOLDER	2	FOR SUN ROOF
14	JN3-K832F-00-00	. GROMMET, ROOF SUPPORT	2	FOR SUN ROOF
15	90201-11800-00	. WASHER, PLATE	2	FOR SUN ROOF

CONTENTS

ACCELERATOR	C2
AIR SHROUD & FAN	A9
BODY	C12
BODY 2	D1-2
BODY FITTING	D3
BRAKE	B10-11
BRAKE 2	B12
BRAKE 3	C1
BUMPER	C11
CAMSHAFT & VALVE	A8
CARBURETOR	A11
CARRIER	D4
CRANKCASE	B1
CRANKSHAFT & PISTON	A7
CYLINDER HEAD	A6
ELECTRICAL 1	D8
ELECTRICAL 2	D9-10
ENGINE ASSEMBLY	A5
ENGINE BRACKET	B2
EXHAUST	A12
FRAME	B4
FRONT SUSPENSION & WHEEL	B5-6
FUEL TANK	B9
GOVERNOR	C3
INTAKE	A10
OPTIONAL LIGHT KIT	E1-2
OPTIONAL SUN ROOF	E2
OPTIONAL WINDSHIELD	E1
PRIMARY SHEAVE	C4
REAR ARM & SUSPENSION	B3
REAR AXLE MOUNT & WHEEL	C9
SEAT	D5
SECONDARY SHEAVE	C5
SHIFTER & CABLES	C10
STARTING MOTOR	D6-7
STEERING	B7-8
TRANSMISSION 1	C6-8

OPTIONAL LIGHT KIT



JU02100-D370

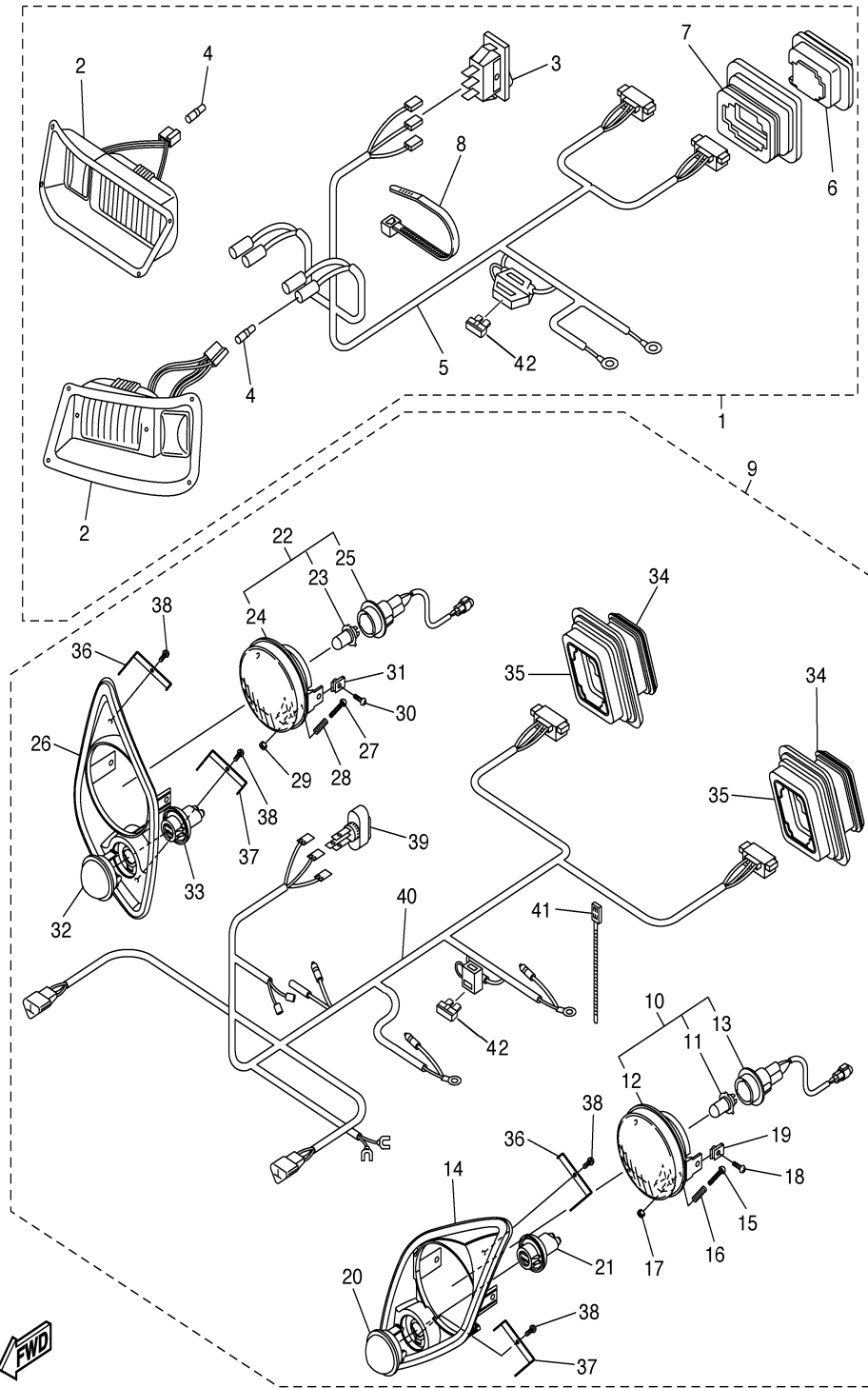
Ref. No.	Part Number	Description	Qty	Remarks
1	JN6-H430A-20-00	HEADLIGHT UNIT ASSY	1	UR
2	JN3-H4303-20-00	. HEADLIGHT UNIT ASSY	2	
3	JN3-H3976-20-00	. SWITCH, HANDLE 1	1	
4	9E212-10401-00	. TERMINAL	2	
5	JN6-H4159-00-00	. CORD, HEADLIGHT	1	
6	JU5-H4700-00-00	. TAILLIGHT ASSY	2	
7	JU5-H4718-00-00	. GROMMET	2	
8	90464-40800-00	. CLAMP	20	
9	JU0-H430A-00-00	HEADLIGHT UNIT ASSY	1	UR
10	5FU-H4300-00-00	. HEADLIGHT ASSY	1	
11	5FU-H4314-00-00	.. BULB, HEADLIGHT (12V-30/30W)	1	
12	5FU-H4320-00-00	.. LENS ASSY	1	
13	5FU-H4340-00-00	.. SOCKET CORD ASSY 1	1	
14	JU7-H411T-01-00	. HOLDER, 1	1	
15	98507-03540-00	. SCREW, PAN HEAD	1	
16	90505-10060-00	. SPRING, SCREW	1	
17	2GU-84334-00-00	. NUT, ADJUSTING	1	
18	90150-05802-00	. SCREW, ROUND HEAD	2	
19	90183-05008-00	. NUT, SPRING	2	
20	JU7-H5415-00-00	. MARK, SIGNAL LAMP	1	
21	JU7-H3547-00-00	. COVER, SOCKET	1	
22	5FU-H4300-00-00	. HEADLIGHT ASSY	1	
23	5FU-H4314-00-00	.. BULB, HEADLIGHT (12V-30/30W)	1	
24	5FU-H4320-00-00	.. LENS ASSY	1	
25	5FU-H4340-00-00	.. SOCKET CORD ASSY 1	1	
26	JU7-H411U-01-00	. HOLDER, 2	1	
27	98507-03540-00	. SCREW, PAN HEAD	1	
28	90501-10060-00	. SPRING, SCREW	1	
29	2GU-84334-00-00	. NUT, ADJUSTING	1	

CONTENTS

ACCELERATOR	C2
AIR SHROUD & FAN	A9
BODY	C12
BODY 2	D1-2
BODY FITTING	D3
BRAKE	B10-11
BRAKE 2	B12
BRAKE 3	C1
BUMPER	C11
CAMSHAFT & VALVE	A8
CARBURETOR	A11
CARRIER	D4
CRANKCASE	B1
CRANKSHAFT & PISTON	A7
CYLINDER HEAD	A6
ELECTRICAL 1	D8
ELECTRICAL 2	D9-10
ENGINE ASSEMBLY	A5
ENGINE BRACKET	B2
EXHAUST	A12
FRAME	B4
FRONT SUSPENSION & WHEEL	B5-6
FUEL TANK	B9
GOVERNOR	C3
INTAKE	A10
OPTIONAL LIGHT KIT	E3-4
OPTIONAL SUN ROOF	D12
OPTIONAL WINDSHIELD	D11
PRIMARY SHEAVE	C4
REAR ARM & SUSPENSION	B3
REAR AXLE MOUNT & WHEEL	C9
SEAT	D5
SECONDARY SHEAVE	C5
SHIFTER & CABLES	C10
STARTING MOTOR	D6-7
STEERING	B7-8
TRANSMISSION 1	C6-8

CONTINUED ON NEXT FRAME

OPTIONAL LIGHT KIT



JU02100-D370

G22AY

Ref. No.	Part Number	Description	Qty	Remarks
30	90150-05802-00	. SCREW, ROUND HEAD	2	
31	90183-05008-00	. NUT, SPRING	2	
32	JU7-H5415-00-00	. MARK, SIGNAL LAMP	1	
33	JU7-H3547-00-00	. COVER, SOCKET	1	
34	JU5-H4700-00-00	. TAILLIGHT ASSY	2	
35	JU5-H4718-00-00	. GROMMET	2	
36	JU7-H4118-01-00	. STAY, HEADLIGHT 1	2	
37	JU7-H4119-01-00	. STAY, HEADLIGHT 2	2	
38	97707-40112-00	. SCREW, TAPPING	4	
39	JU0-H3976-00-00	. SWITCH, HANDLE 1	1	
40	JU0-H4159-00-00	. CORD, HEADLIGHT	1	
41	90464-14806-00	. CLAMP	20	
42	42X-82151-00-00	. FUSE, (10A-BL)	1	

CONTENTS

ACCELERATOR	C2
AIR SHROUD & FAN	A9
BODY	C12
BODY 2	D1-2
BODY FITTING	D3
BRAKE	B10-11
BRAKE 2	B12
BRAKE 3	C1
BUMPER	C11
CAMSHAFT & VALVE	A8
CARBURETOR	A11
CARRIER	D4
CRANKCASE	B1
CRANKSHAFT & PISTON	A7
CYLINDER HEAD	A6
ELECTRICAL 1	D8
ELECTRICAL 2	D9-10
ENGINE ASSEMBLY	A5
ENGINE BRACKET	B2
EXHAUST	A12
FRAME	B4
FRONT SUSPENSION & WHEEL	B5-6
FUEL TANK	B9
GOVERNOR	C3
INTAKE	A10
OPTIONAL LIGHT KIT	E1-2
OPTIONAL SUN ROOF	D12
OPTIONAL WINDSHIELD	D11
PRIMARY SHEAVE	C4
REAR ARM & SUSPENSION	B3
REAR AXLE MOUNT & WHEEL	C9
SEAT	D5
SECONDARY SHEAVE	C5
SHIFTER & CABLES	C10
STARTING MOTOR	D6-7
STEERING	B7-8
TRANSMISSION 1	C6-8