

**1988-1991  
Carryall I  
Illustrated Parts List**



**Gasoline Vehicles**

Manual Number 1014650  
Edition Code 1189B1008A



# **MASTERS**

## **GOLF & UTILITY VEHICLES**

[www.mastersgolfcarts.com](http://www.mastersgolfcarts.com) - 905-436-0606 - 1-855-226-0606

## **WARNING**

**This manual to be used for identification and ordering of service parts only. Be sure to read and use the maintenance and service manual for any repair.**

**© 1988, Club Car Inc.  
All Rights Reserved**



# USING THE ILLUSTRATED PARTS LIST

---

## **⚠ WARNING**

- **This manual is to be used only for identification and ordering of service parts. Be sure to read and use the maintenance and service manual before attempting any vehicle repairs.**

Use the Table of Contents to find the sections and pages that contain the parts and assemblies you seek. The Table of Contents lists section numbers, and under them, the individual page titles and numbers to be found in that section. The index can be used to find specific parts and assemblies. The index is divided into numerical and alphabetical listings with the page numbers in italic text.

There is a two-page spread for each individual page title in the Table of Contents. On the left-hand page is an illustration showing the parts in their relative positions; the parts are each tagged with an item number in a balloon. The right-hand page is the parts list page, and gives the page title at the top, then the item numbers (corresponding to the numbers on the illustration), part descriptions, and quantity of parts used.

Note that a part description may be indented. This indentation corresponds to a parts assembly level indicated by the numbers 1, 2, 3, and 4 at the top left corner of the parts description area of the parts list page. A part that is indented to *level 2* is a component of the *level 1* part (assembly) that it is listed under. A *level 3* part is a component of the *level 2* part that it is listed under, and a *level 4* part is a component of the *level 3* part preceding it. In each case, the part quantity given for a level 2, 3, or 4 part *is the quantity used per next higher level assembly of which it is a component*. A part that is not indented is a *level 1* part. This means that the quantity given is the quantity used per the portion of the vehicle illustrated on that particular spread.

## HOW TO ORDER PARTS

Replacement parts and accessories can be obtained from our network of authorized dealers and distributors. You can obtain the name and phone number of your closest authorized Club Car dealer or distributor by visiting our web site at [www.clubcar.com](http://www.clubcar.com) and clicking on the "*Distributor Search*" link or by calling our toll-free Service Parts and Technical Assistance hotline at (800) 872-2246 or (706) 863-3000, extension 3887.

Copyright © 1988, 2008 Club Car, Inc.  
*Club Car and Carryall* are registered  
trademarks of Club Car, Inc

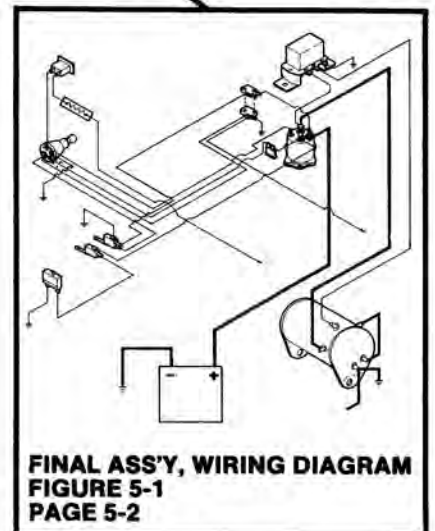
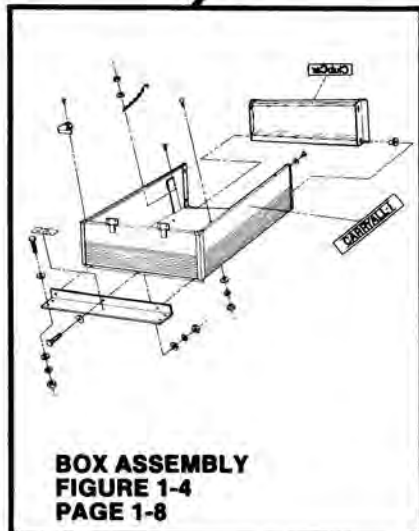
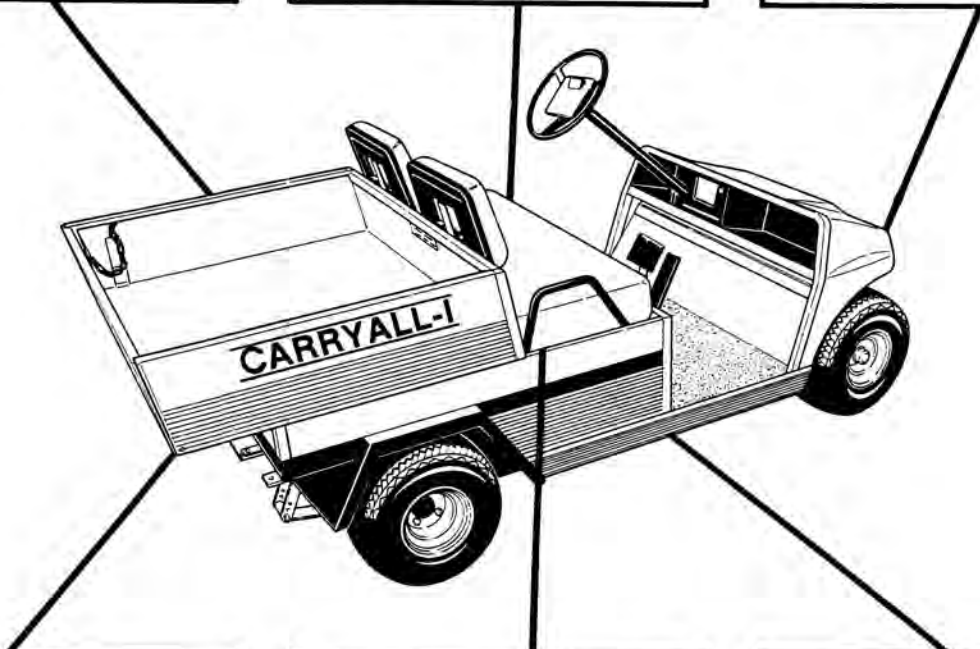
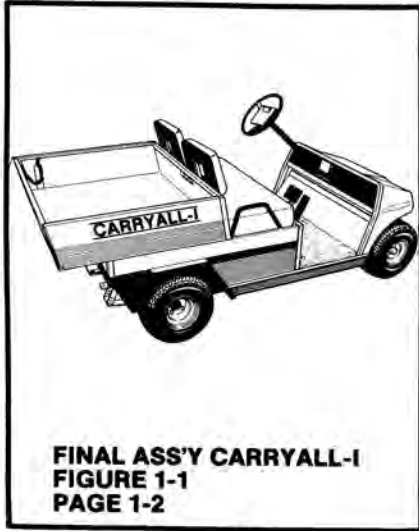


P. O. Box 204658  
Augusta, Georgia 30917-4658 USA  
Telephone 706-863-3000  
Service Parts Fax 706-855-7413  
[www.clubcar.com](http://www.clubcar.com)

## CONTENTS

<b>VISUAL INDEX</b> .....	iii
<b>BODY AND TRIM GROUP</b>	<b>SECTION I</b>
Figure 1-1. Final Assembly, Carryall I .....	1-2
Listing .....	1-3
Figure 1-2. Final Assembly, Carryall I .....	1-4
Listing .....	1-5
Figure 1-3. Body Assembly, Covers — Front and Rear .....	1-6
Listing .....	1-7
Figure 1-4. Box Assembly .....	1-8
Listing .....	1-9
Figure 1-5. Seat Back and Seat Bottom Assembly .....	1-10
Listing .....	1-11
<b>POWER TRAIN GROUP</b>	<b>SECTION II</b>
Figure 2-1. Final Assembly, Engine .....	2-2
Listing .....	2-3
Figure 2-2. Final Assembly, Engine .....	2-4
Listing .....	2-5
Figure 2-3. Final Assembly, Engine .....	2-6
Listing .....	2-7
Figure 2-4. Drive Clutch .....	2-8
Listing .....	2-9
Figure 2-5. Driven Clutch .....	2-10
Listing .....	2-10
Figure 2-6. Muffler Assembly .....	2-11
Listing .....	2-11
Figure 2-7. Air Cleaner W/Carburetor and Linkage .....	2-12
Listing .....	2-13
Figure 2-8. Carburetor Assembly .....	2-14
Listing .....	2-15
Figure 2-9. Generator/Starter .....	2-16
Listing .....	2-17
Figure 2-10. Transmission Assembly .....	2-18
Listing .....	2-18
Figure 2-11. Drive Unit .....	2-20
Listing .....	2-21
Figure 2-12. F & R Shifter Assembly .....	2-22
Listing .....	2-23
Figure 2-13. Inner Frame Assembly .....	2-24
Listing .....	2-25
Figure 2-14. Fuel System Assembly .....	2-26
Listing .....	2-27
<b>SUSPENSION AND STEERING GROUP</b>	<b>SECTION III</b>
Figure 3-1. Steering Column Assembly .....	3-2
Listing .....	3-3
Figure 3-2. Steering Assembly .....	3-4
Listing .....	3-5
Figure 3-3. Front Suspension Assembly .....	3-6
Listing .....	3-7
Figure 3-4. Rear Suspension Assembly .....	3-8
Listing .....	3-9
<b>BRAKE SYSTEM AND PEDAL GROUP</b>	<b>SECTION IV</b>
Figure 4-1. Brake Cluster, Right Hand and Left Hand .....	4-2
Listing .....	4-3
Figure 4-2. Brake Pedal and Cable Assembly .....	4-4
Listing .....	4-5
Figure 4-3. Accelerator Pedal Assembly .....	4-6
Listing .....	4-7
<b>ELECTRICAL SYSTEM</b>	<b>SECTION V</b>
Figure 5-1. Final Assembly, Wiring Diagram .....	5-2
Listing .....	5-3
Figure 5-2. Electrical Component Box Assembly .....	5-4
Listing .....	5-5
<b>ACCESSORIES</b>	<b>SECTION VI</b>
<b>MAINTENANCE AND SERVICE TOOLS</b>	<b>SECTION VII</b>

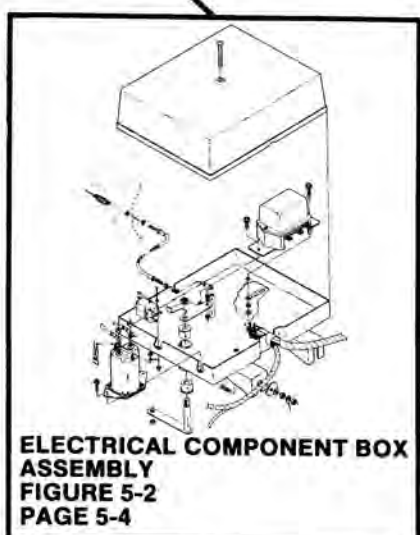
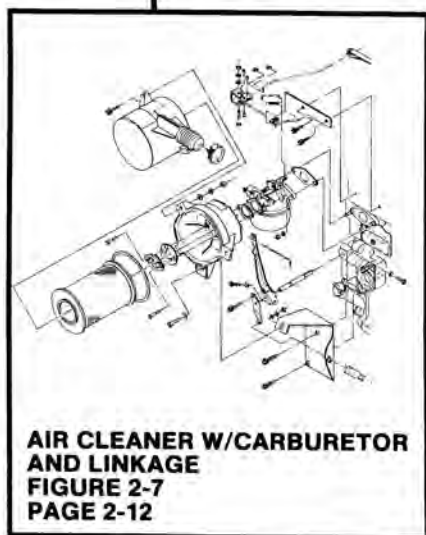
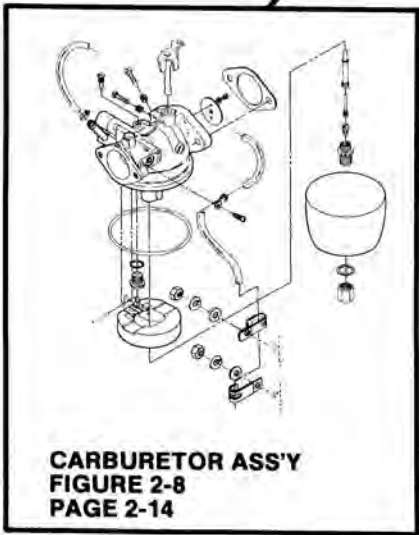
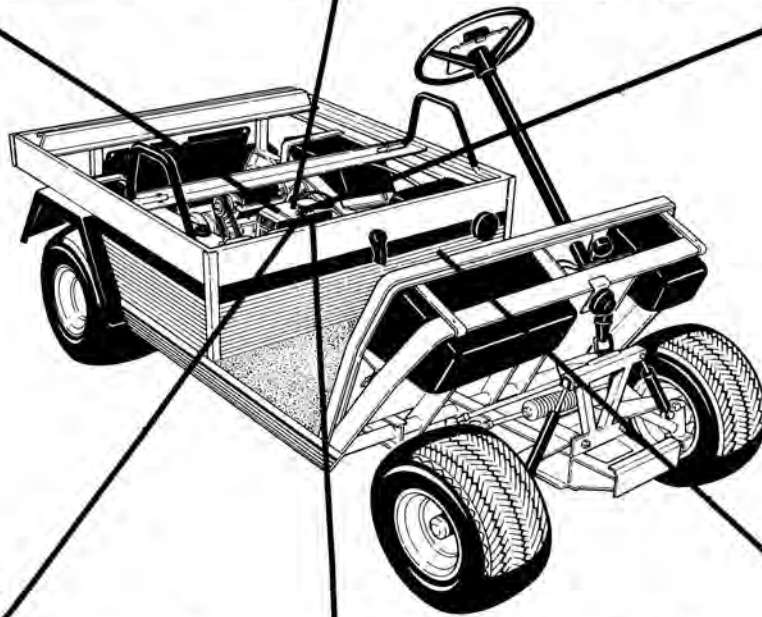
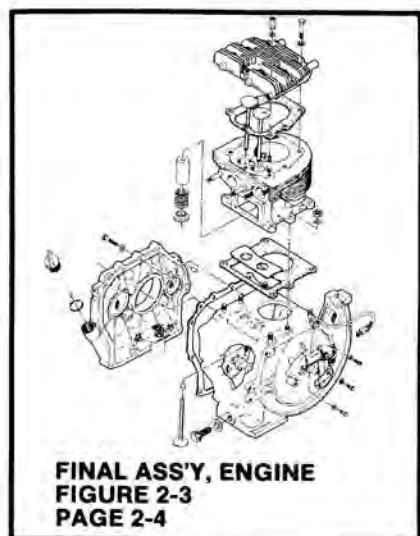
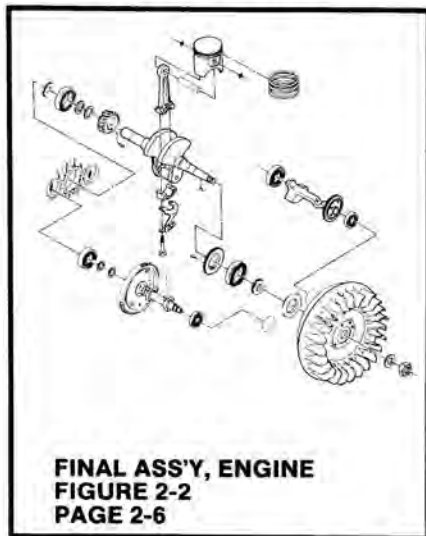
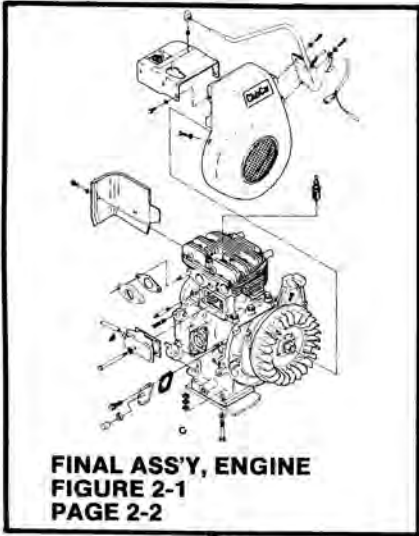
**CARRYALL-I GASOLINE CLUB CAR**



**VISUAL INDEX I**



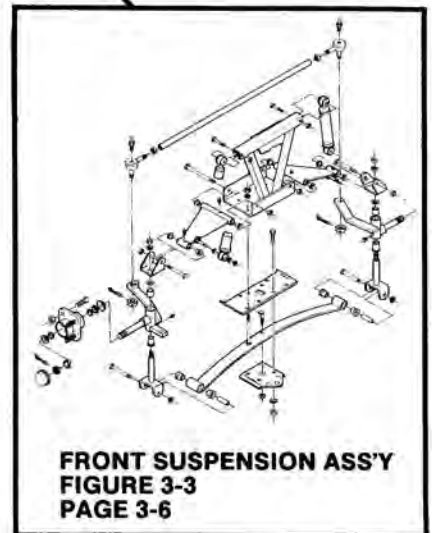
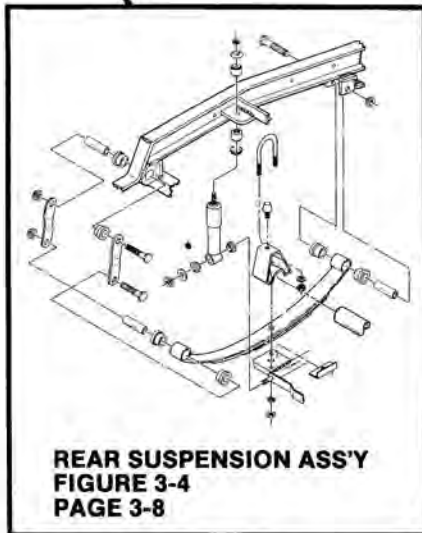
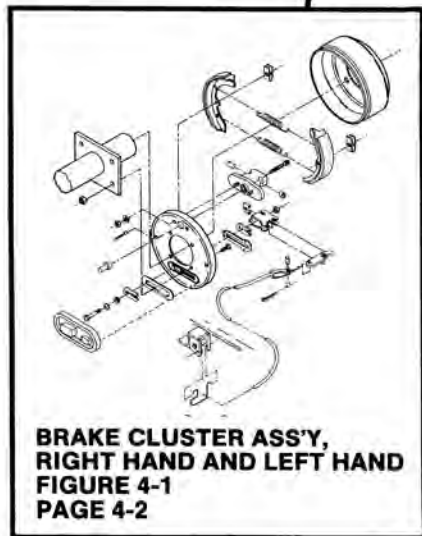
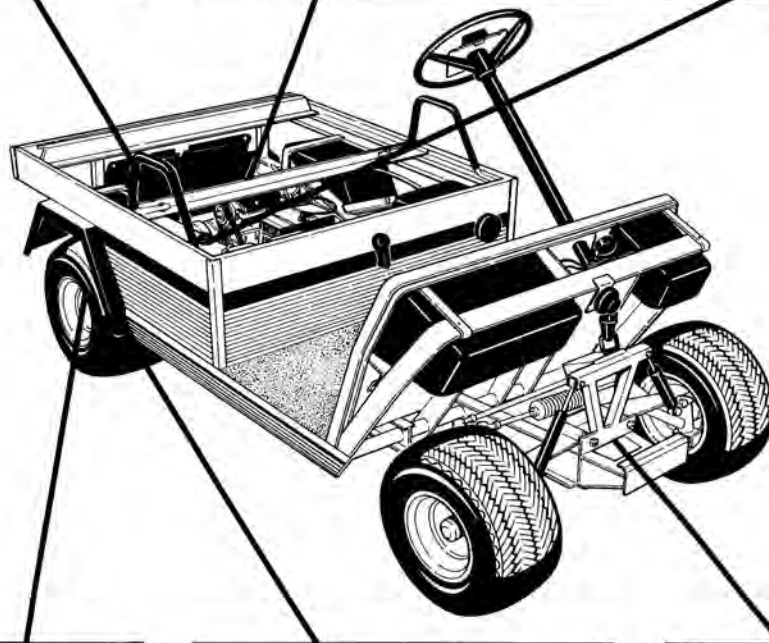
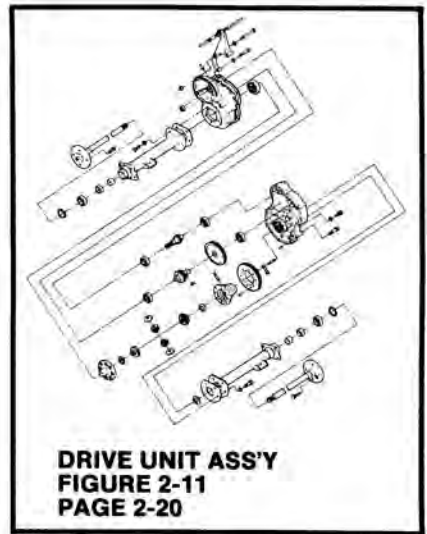
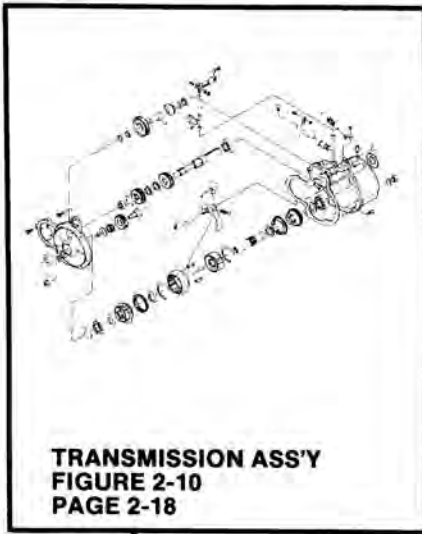
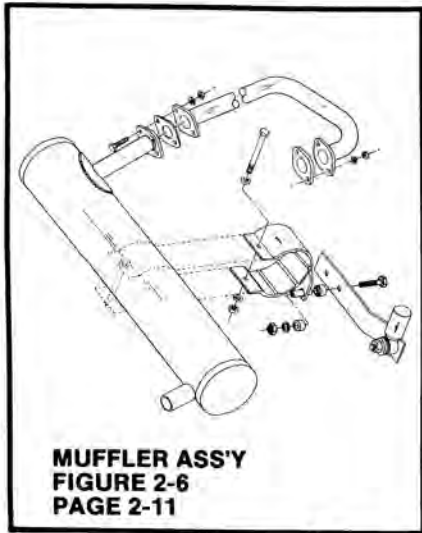
**CARRYALL-I GASOLINE CLUB CAR**



**VISUAL INDEX II**



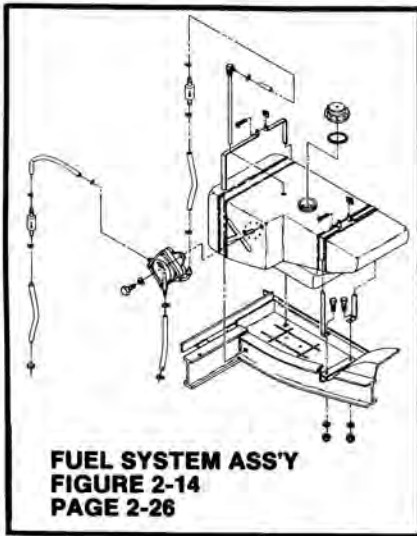
**CARRYALL-I GASOLINE CLUB CAR**



**VISUAL INDEX III**



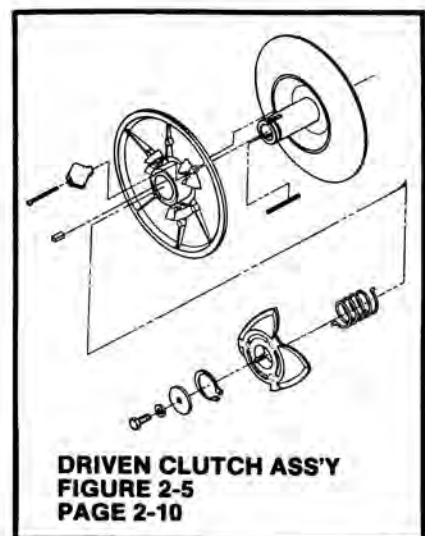
**CARRYALL-I GASOLINE CLUB CAR**



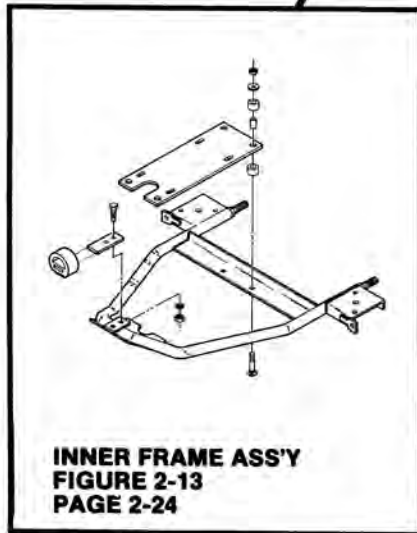
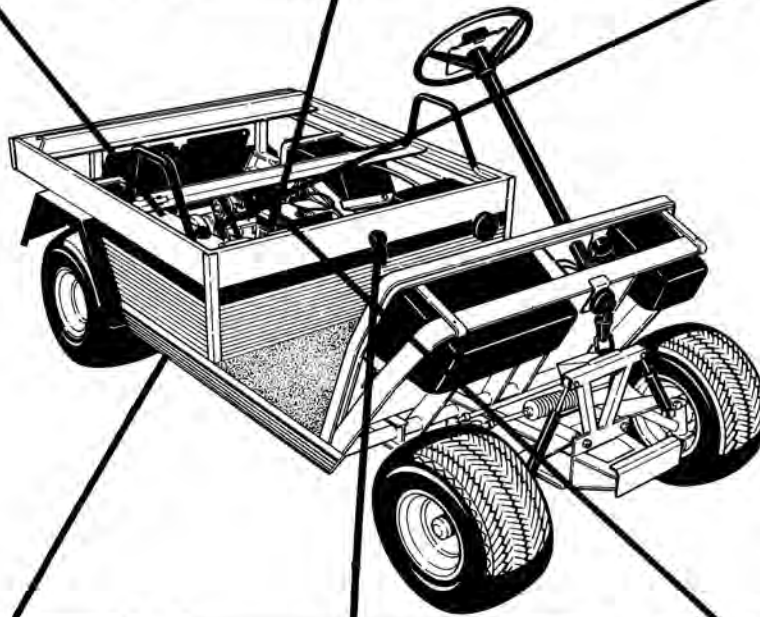
**FUEL SYSTEM ASS'Y**  
**FIGURE 2-14**  
**PAGE 2-26**



**DRIVE CLUTCH ASS'Y**  
**FIGURE 2-4**  
**PAGE 2-8**



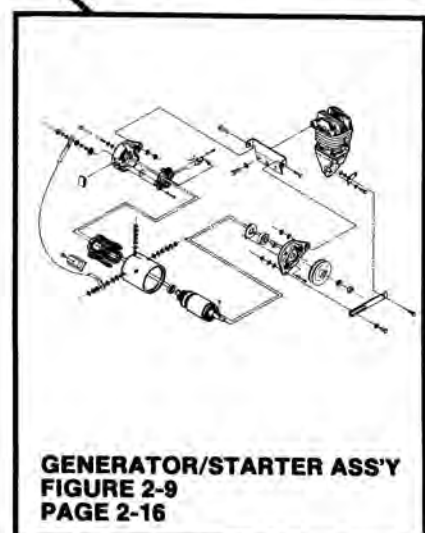
**DRIVEN CLUTCH ASS'Y**  
**FIGURE 2-5**  
**PAGE 2-10**



**INNER FRAME ASS'Y**  
**FIGURE 2-13**  
**PAGE 2-24**



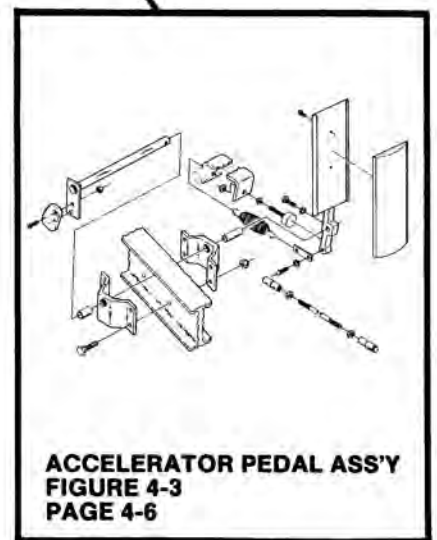
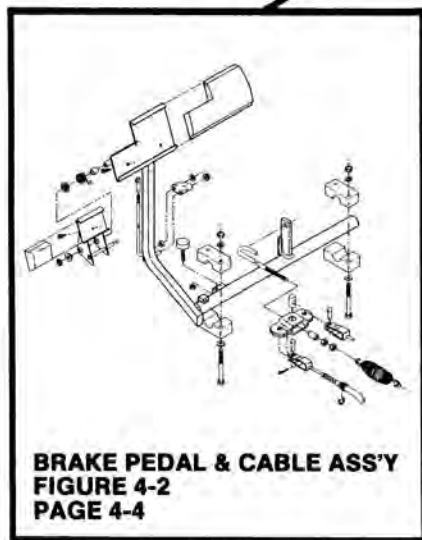
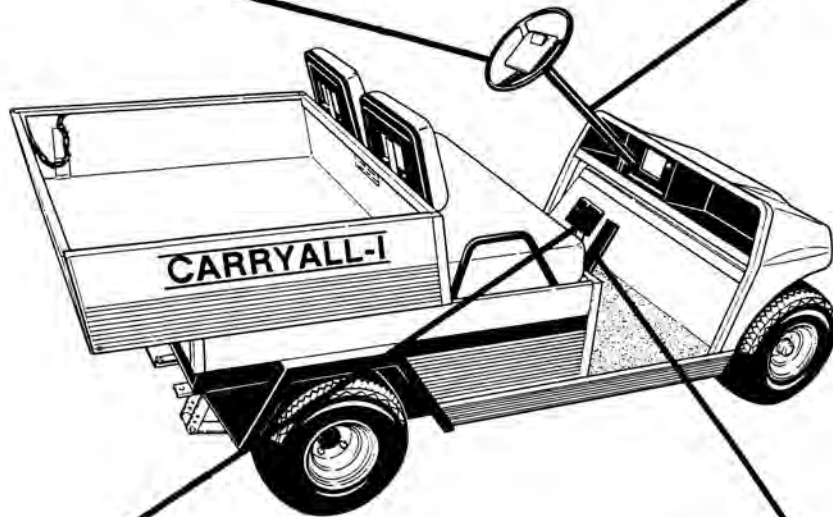
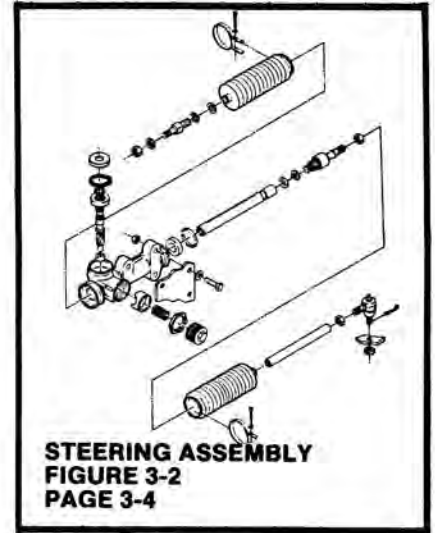
**F & R SHIFTER ASS'Y**  
**FIGURE 2-12**  
**PAGE 2-22**



**GENERATOR/STARTER ASS'Y**  
**FIGURE 2-9**  
**PAGE 2-16**

**VISUAL INDEX IV**

**CARRYALL-I GASOLINE CLUB CAR**



**VISUAL INDEX V**





## **Section I**

# **BODY AND TRIM GROUP**

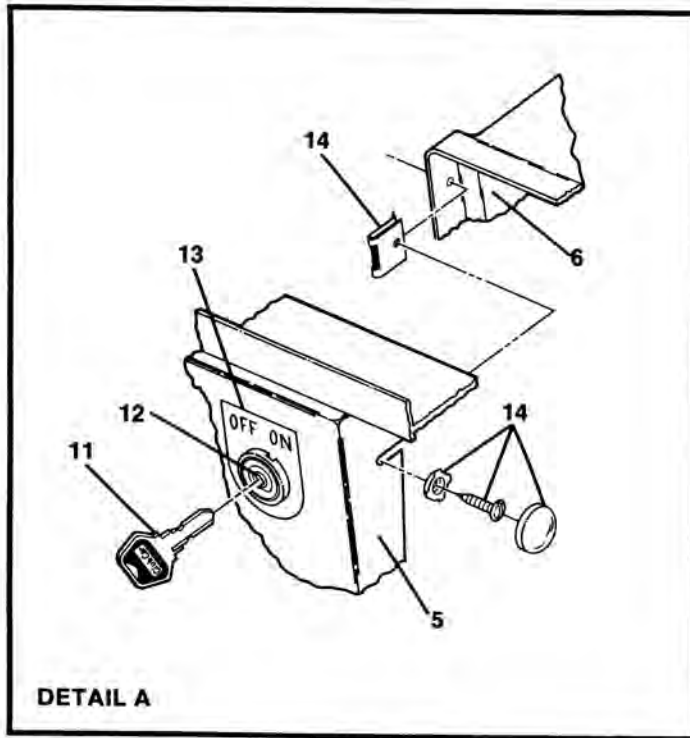
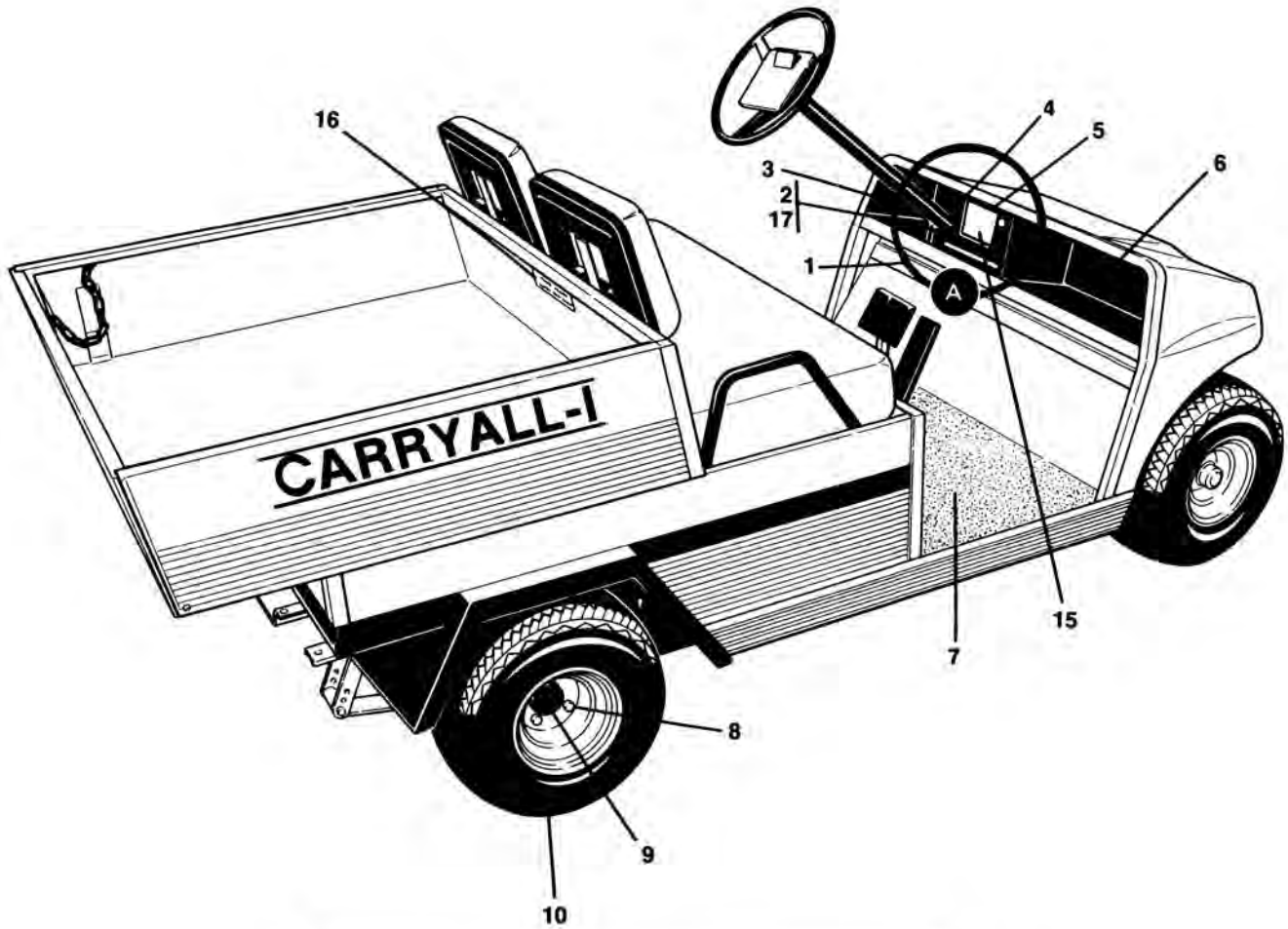


FIGURE 1-1. FINAL ASSEMBLY, CARRYALL-I. SEE LIST 1-1.

### FINAL ASSEMBLY, CARRYALL-I

FIGURE- ITEM NUMBER	PART NUMBER	UNITS PER ASM	DESCRIPTION
1 -	NO #		FINAL ASSEMBLY, CARRYALL-I FOR ILLUSTRATION, SEE FIGURE 1-1
- 1	1014090	1	DASH WARNING DECAL
- 2	1012499	1	STEERING COLUMN BOOT
- 3	1013344	1	DASH COMPONENT, LEFT
- 4	1012323	1	OIL LIGHT
- 5	1013340	1	CENTER DASH PANEL WITH OIL LIGHT OPENING
- 6	1013343	1	DASH COMPONENT, RIGHT
- 7	1011028	1	MAT, FLOOR
- 8	1011390	2	LUG NUT PACKAGE (8 PIECES)
- 9	1012186	2	DUST SEAL
- 10	7366	4	TIRE, STANDARD RIB
- 10	8608	4	TIRE, POWER RIB
- 10	8607	4	TIRE, TERRA TRACTION
- 11	1012505	PR.	KEY
- 12	1012415	1	SWITCH, KEY INCLUDES ITEM 11
- 13	1012530	1	DECAL, ON/OFF
- 14	1014645	2	SNAP WASHER KIT (BLACK)
- 15	1014317	1	VEHICLE LOADING DECAL
- 16	1014318	1	BED LOAD DECAL
- 17	1014738	1	BOOT BACKUP STRIP

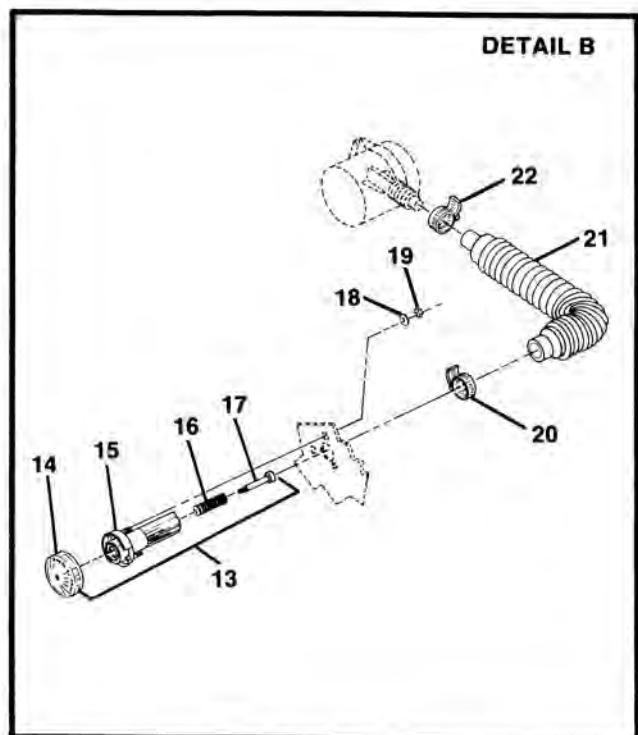
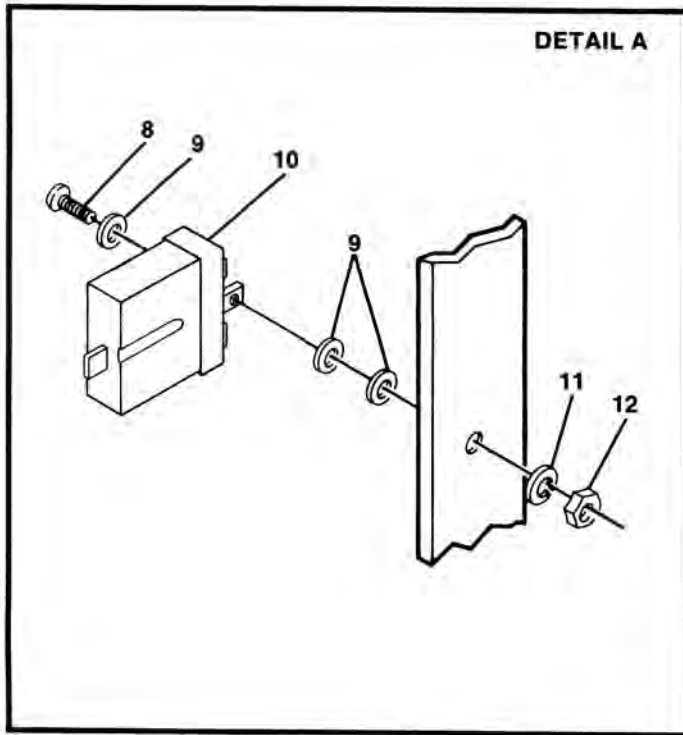
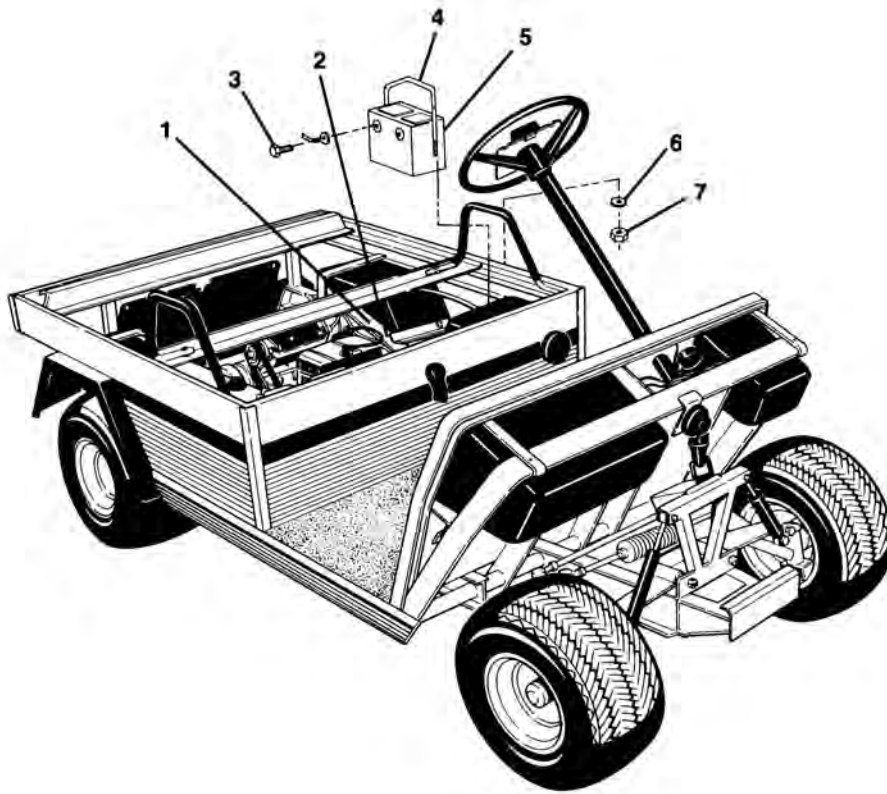


**CARRYALL-I Gasoline**

0688A00000

Manual No. 1014650 - Issue Date 6/88

Effective Serial No. FG8827-147940



**FIGURE 1-2. FINAL ASSEMBLY, CARRYALL-I. SEE LIST 1-2.**



### FINAL ASSEMBLY, CARRYALL-I

FIGURE- ITEM NUMBER	PART NUMBER	UNITS PER ASM	1 2 3 4	DESCRIPTION
2 -	NO #			FINAL ASSEMBLY, CARRYALL-I FOR ILLUSTRATION, SEE FIGURE 1-2
- 1	1013394	1		FRAME GROUND WARNING DECAL
- 2	1013417	1		BATTERY DANGER LABEL
- 3	1012404	2		BOLT, 3/8-16 x 3/8" HEX
- 4	1013882	1		HOLD DOWN, BATTERY
- 5	1012328	1		BATTERY, 12V
- 6	1011931	2		FLATWASHER, 1/4"
- 7	8233	2		LOCKNUT, 1/4-20 NYLON
- 8	8104	1		SCREW, #10-32 ROUND HEAD
- 9	183	3		FLATWASHER, #10
- 10	1012305	1		BUZZER, 12V REVERSE
- 11	1016	1		LOCKWASHER, #10
- 12	7893	1		NUT, #10-32 HEX
- 13	1012638	1		CHOKE ASSEMBLY INCLUDES ITEMS 14 THRU 17
- 14	1012629	1		CHOKE COVER
- 15	1012630	1		CHOKE BASE
- 16	1012633	1		CHOKE COMPRESSION SPRING
- 17	1012634	1		CHOKE SHOULDER SCREW
- 18	183	3		FLATWASHER, #10
- 19	1013061	3		LOCKNUT, #10-32 NYLON
- 20	1012349	1		HOSE CLAMP, 2-3/4"
- 21	1012352	1		AIR INTAKE HOSE
- 22	1012348	1		AIR INTAKE HOSE CLAMP, 2"



**CARRYALL-I Gasoline**

0688A00000

Manual No. 1014650 - Issue Date 6/88

Effective Serial No. FG8827-147940

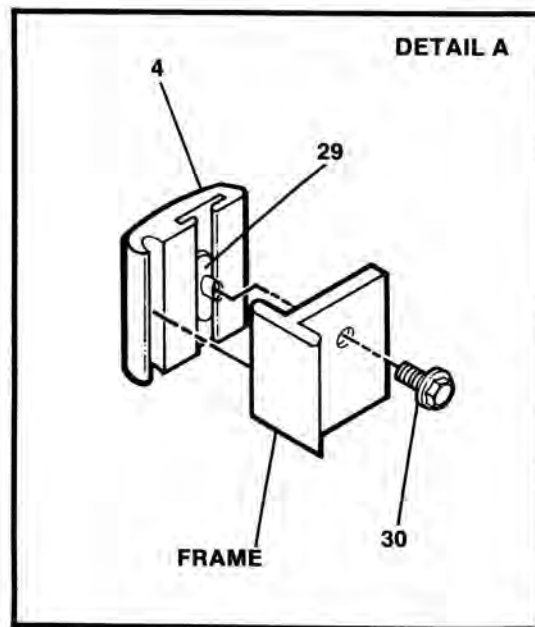
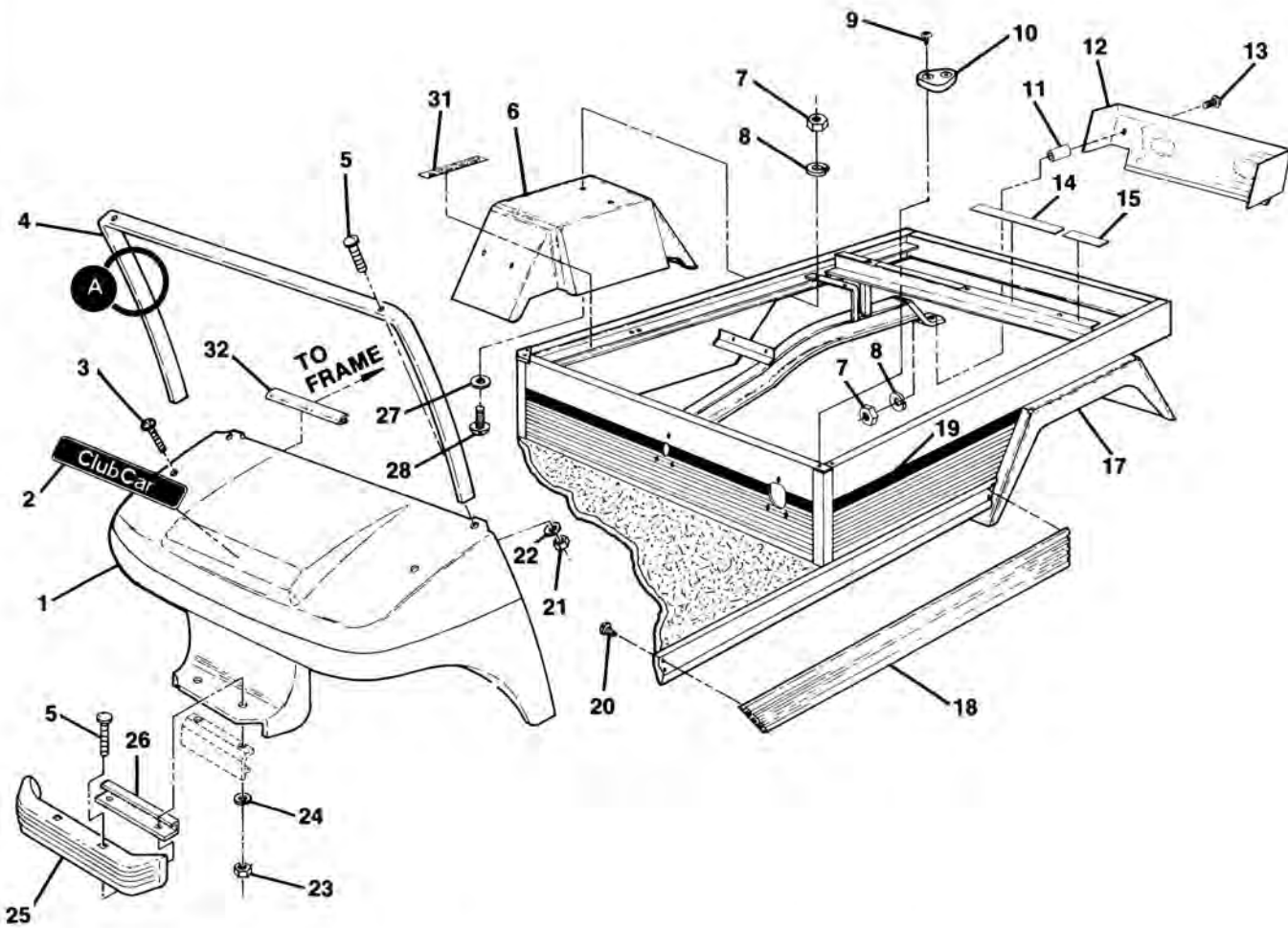


FIGURE 1-3. BODY ASSEMBLY, COVERS - FRONT AND REAR. SEE LIST 1-3.

**BODY ASSEMBLY — FRONT AND REAR**

FIGURE- ITEM NUMBER	PART NUMBER	UNITS PER ASM	DESCRIPTION			
			1	2	3	4
3 -	NO #	1	BODY ASSEMBLY COVERS — FRONT AND REAR FOR ILLUSTRATION, SEE FIGURE 1-3			
- 1	1013345	1	COWL			
- 1	1013908	1	COWL WITH HEADLIGHT OPENINGS			
- 2	1013493	1	NAMEPLATE			
- 3	7251	2	SCREW, 15/16-18 X 1" PHILLIPS HEAD TRUSS			
- 4	1011014	1	COWL TRIM			
- 5	1010435	4	CARRIAGE BOLT, 5/16-18 UNC 2A			
- 6	1014370	1	INNER FENDER — RIGHT HAND			
- 7	1028	10	HEX NUT, 1/4-20			
- 8	451	10	LOCKWASHER, 1/4"			
- 9	1014321	4	SCREW, #10 TRUSS HEAD TORX			
- 10	1014387	2	CORNER CAP			
- 11	1014384	2	SPACER, 3/4"			
- 12	1014383	1	TAILSKIRT			
- 13	8418	2	SCREW, 1/4-20 X 1-1/2" PHILLIPS HEAD TRUSS			
- 14	NO #	2	BOX INSULATION — LONG (17.44") (SEE ITEM 11)			
- 15	NO #	2	BOX INSULATION — SHORT (2.22") (SEE ITEM 11)			
- 16	1014471	A/R	BOX INSULATION (ORDER BY FEET ONLY)			
- 17	1014373	1	INNER FENDER — LEFT HAND			
- 18	1013983	2	BUMPER GUARD — SIDE			
- 19	1013328	A/R	SOLID STRIPE, 2" WIDE (150' ROLL)			
- 20	1012047	8	SCREW, #8-22 SELF TAPPING			
- 21	7473	2	LOCKNUT, 5/16-18 UNC-2B			
- 22	1241	2	FLATWASHER, 5/16			
- 23	1242	2	NUT, HEX 5/16-18			
- 24	7174	2	LOCKWASHER, 5/16			
- 25	1011977	1	BUMPER			
- 26	1012204	1	BUMPER PLATE			
- 27	8248	8	SCREW, 1/4-20 X 3/4 PHILLIPS HEAD TRUSS			
- 28	1014306	8	FLATWASHER, 1/4"			
- 29	1011394	1	SLAB BASE "T" NUT PACKAGE (4 PIECES)			
- 30	1011017	6	SCREW, FLANGE LOCK			
- 31	1013395	1	GASOLINE DANGER DECAL			
- 32	1014338	2	VINYL TRIM — COWL			



0688A00000

Manual No. 1014650 - Issue Date 6/88

Effective Serial No. FG8827-147940

**CARRYALL-I Gasoline**

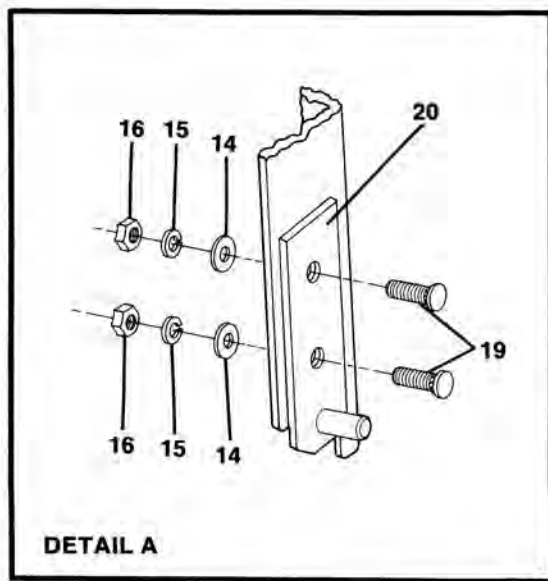
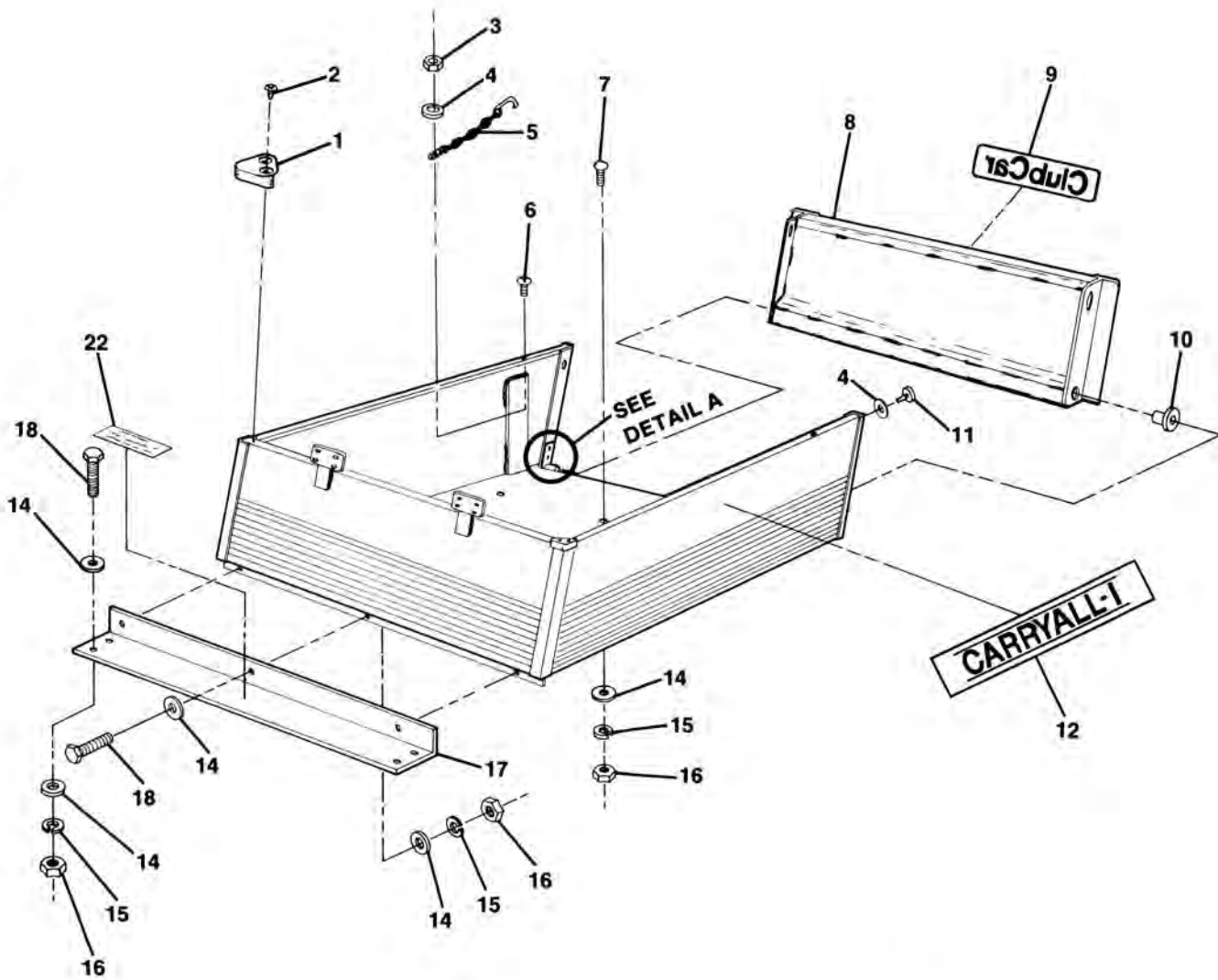


FIGURE 1-4. BOX ASSEMBLY. SEE LIST 1-4.

## BOX ASSEMBLY

FIGURE- ITEM NUMBER	PART NUMBER	UNITS PER ASM	DESCRIPTION			
			1	2	3	4
4 -	NO #	1	BOX ASSEMBLY FOR ILLUSTRATION, SEE FIGURE 1-4			
- 1	1014387	2	CORNER CAP			
- 2	1014321	4	#10 TRUSS HEAD TORX SCREW			
- 3	7473	2	5/16-18 NYLON LOCKNUT			
- 4	1011697	2	5/16 FLATWASHER			
- 5	1014131	2	CHAIN AND HOOK ASSEMBLY			
- 6	7251	2	5/16-18 X 1 MACHINE SCREW			
- 7	1014664	3	5/16-18 X 1-1/4" STEP BOLT			
- 8	1014362	1	TAILGATE WELDMENT			
- 9	1013317	1	LOGO DECAL			
- 10	7049	2	NYLON BUSHING			
- 11	1010436	2	RUBBER BUMPER			
- 12	1014379	1	CARRYALL-I DECAL — LEFT SIDE			
- 13	1014380	1	CARRYALL-I DECAL — RIGHT SIDE (NOT SHOWN)			
- 14	1241	21	5/16 FLATWASHER			
- 15	7174	14	5/16 LOCKWASHER			
- 16	1242	14	5/16-18 HEX NUT			
- 17	1014624	1	SEAT SUPPORT			
- 18	1010934	7	5/16-18 X 1 HEX BOLT			
- 19	1014537	4	5/16-18 X 3/4" SELF CLINCH STUD			
- 20	1014514	1	TAILGATE MOUNTING BRACKET ASSEMBLY — RIGHT HAND			
- 21	1014513	1	TAILGATE MOUNTING BRACKET ASSEMBLY — LEFT HAND (NOT SHOWN)			
- 22	1013392	1	MOVING PARTS DECAL			



0688A00000

CARRYALL-I Gasoline

Manual No. 1014650 - Issue Date 6/88

Effective Serial No. FG8827-147940

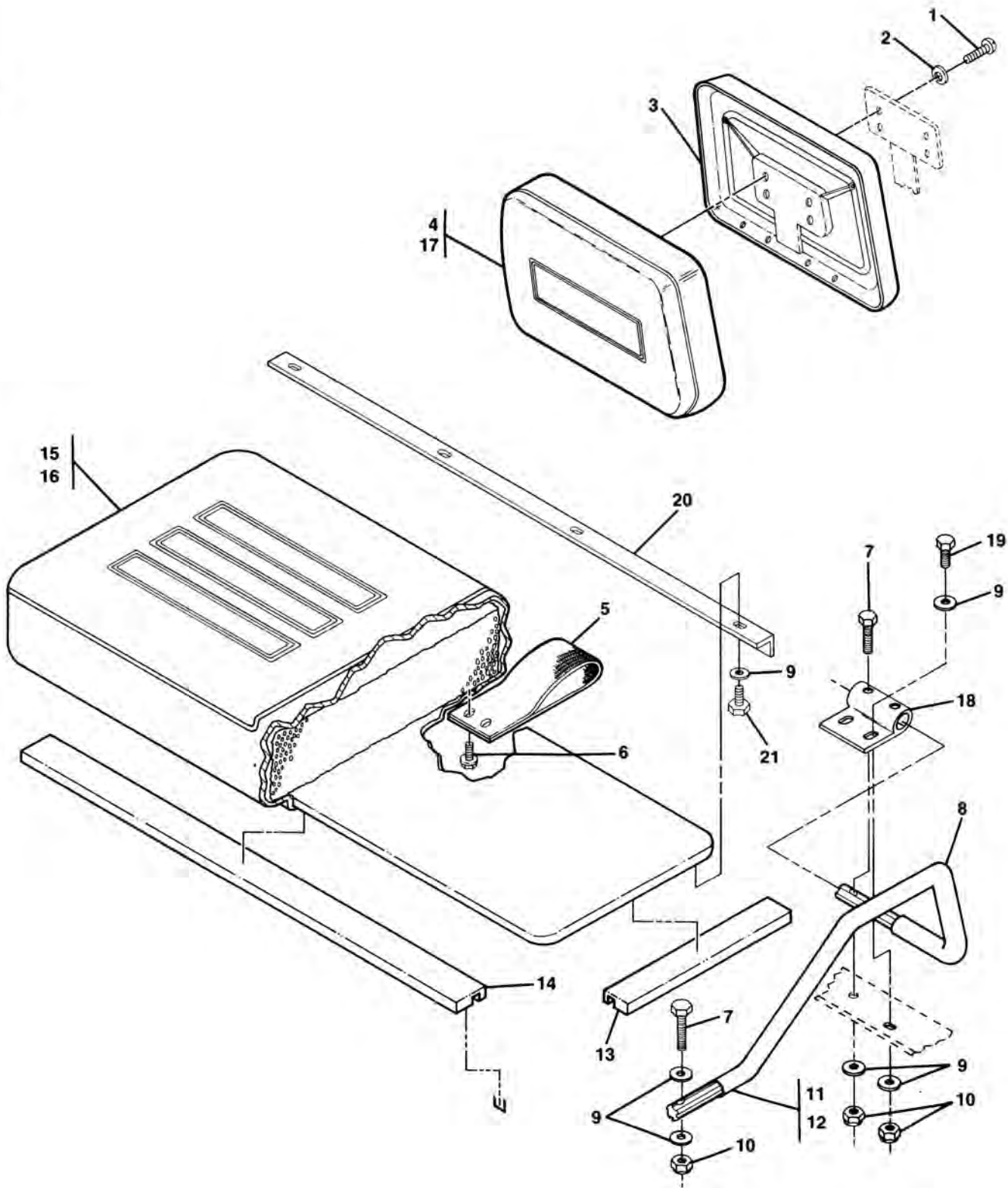


FIGURE 1-5. SEAT BACK & SEAT BOTTOM ASSEMBLY. SEE LIST 1-5.

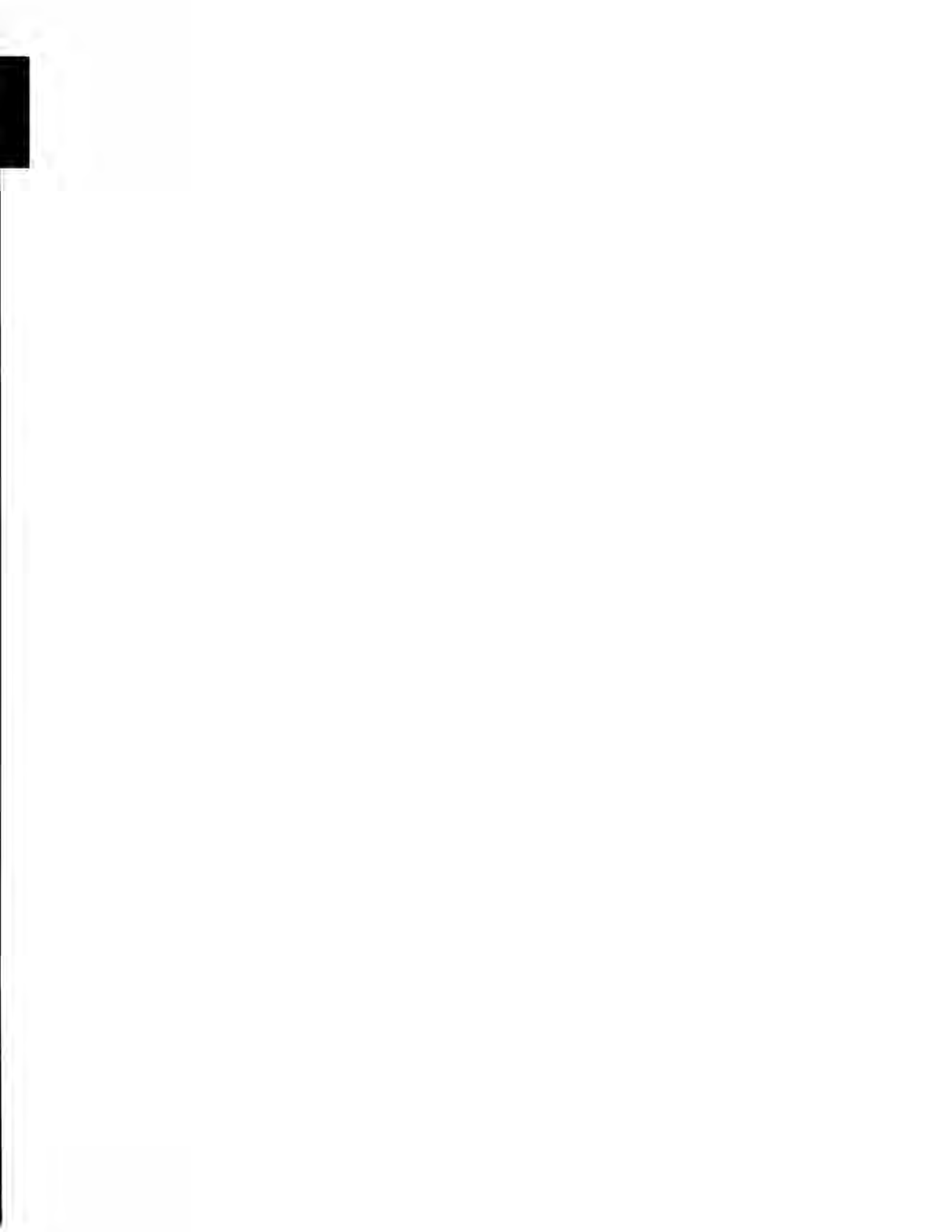
**SEAT BACK & SEAT BOTTOM ASSEMBLY**

FIGURE- ITEM NUMBER	PART NUMBER	UNITS PER ASM	DESCRIPTION			
			1	2	3	4
5 -	NO #		SEAT BACK & SEAT BOTTOM ASSEMBLY FOR ILLUSTRATION, SEE FIGURE 1-5			
- 1	8248	8	SCREW, 1/4-20 X 3/4"			
- 2	8304	8	LOCKWASHER, 1/4 INTERNAL TOOTH			
- 3	1013335	2	CAP, SEAT BACK			
- 4	1013310	2	SEAT BACK SUBASSEMBLY			
- 5	1013309	1	BAG STRAP, SEAT BOTTOM			
- 6	1010545	2	SCREW, 1/4-14 X 3/4 TYPE AB			
- 7	7479	4	HEX BOLT, 1/4-20 X 1 1/4			
- 8	1013319	2	VINYL ARMREST			
- 9	332	14	1/4 FLAT WASHER			
- 10	8233	6	1/4-20 NYLON LOCKNUT			
- 11	1013321	1	LEFT ARMREST ASSEMBLY INCLUDES ITEM 8			
- 12	1013320	1	RIGHT ARMREST ASSEMBLY INCLUDES ITEM 8			
- 13	1013311	4	SEAT BUMPER — SHORT			
- 14	1013312	1	SEAT BUMPER — LONG			
- 15	1014666	1	SEAT BOTTOM ASSEMBLY INCLUDES ITEMS 5, 6, 13 AND 14 FOR ILLUSTRATION, SEE FIGURE 1-4			
- 16	1010066	A/R	VINYL COVER — SEAT BOTTOM			
- 17	1010036	A/R	VINYL COVER — SEAT BACK			
- 18	1014662	2	ARMREST MOUNTING BRACKET			
- 19	7847	2	HEX BOLT, 1/4-20 X 3/4"			
- 20	1014734	1	SEAT BOTTOM STIFFENER			
- 21	304	4	HEX BOLT, 1/4-20 X 1"			



0688A00000  
 Manual No. 1014650 - Issue Date 6/88  
 Effective Serial No. FG8827-147940







**Section II**

**POWER TRAIN GROUP**

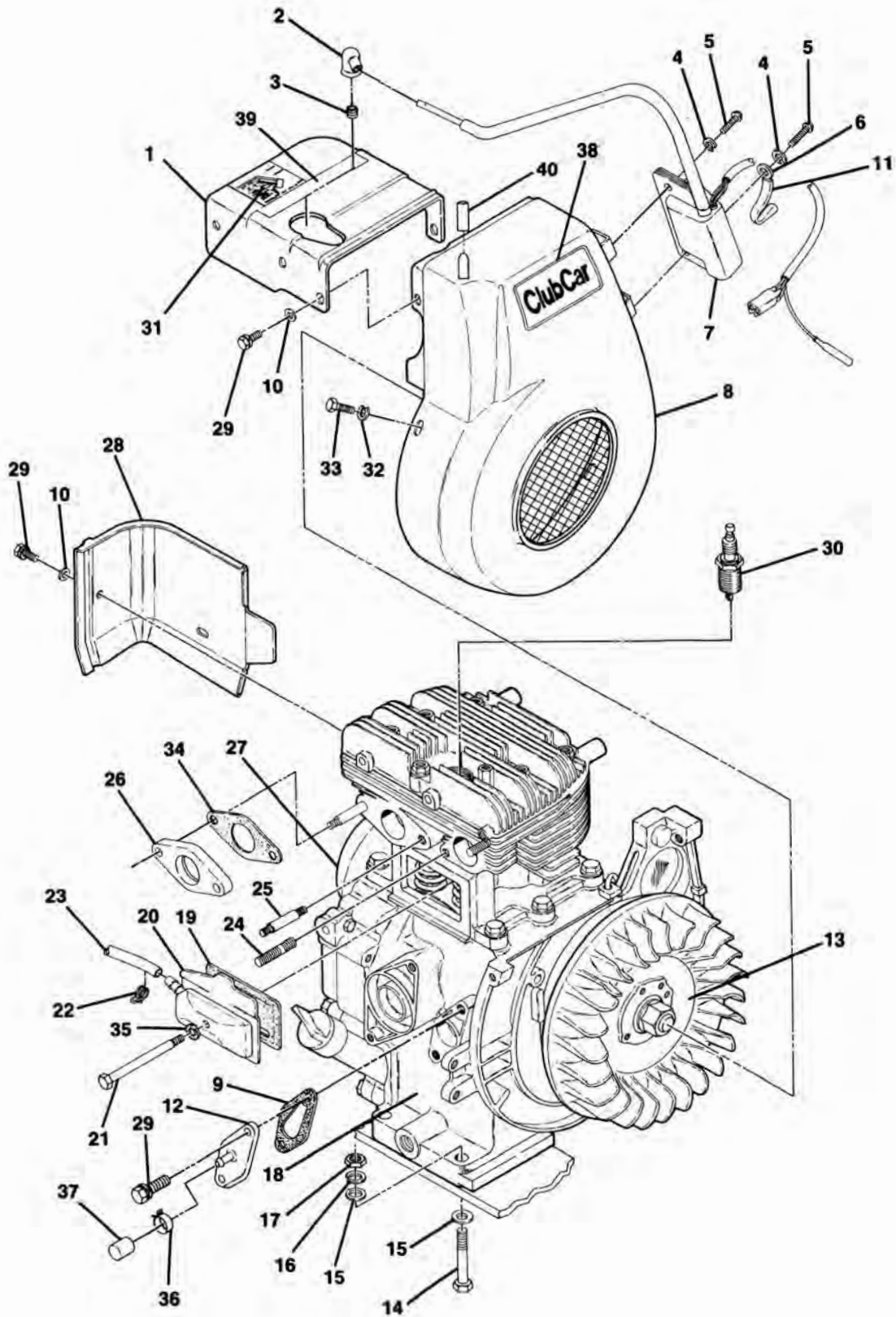


FIGURE 2-1. FINAL ASSEMBLY, ENGINE. SEE LIST 2-1.

## FINAL ASSEMBLY, ENGINE

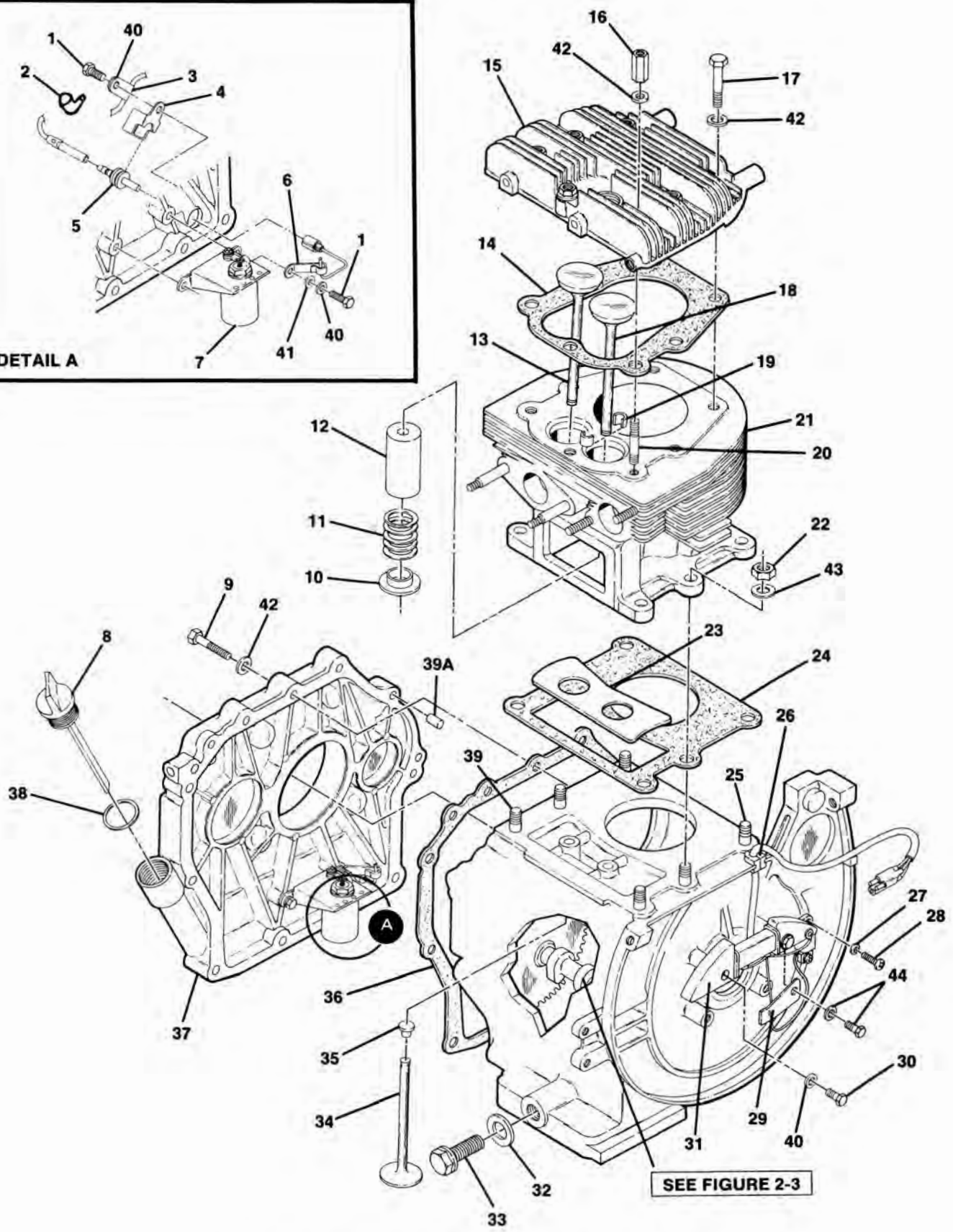
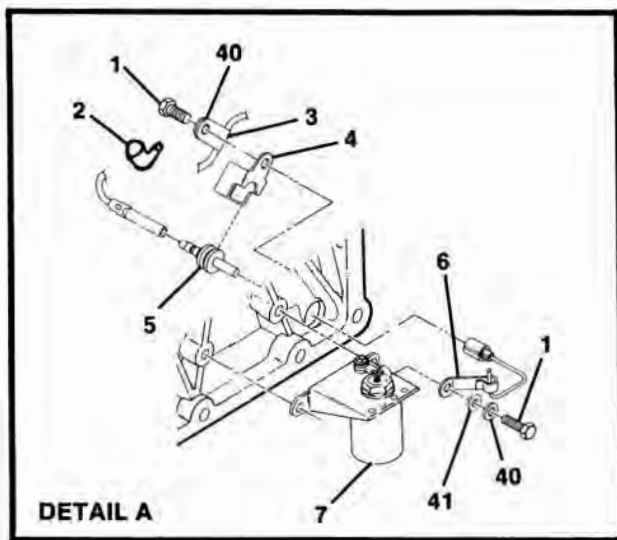
FIGURE- ITEM NUMBER	PART NUMBER	UNITS PER ASM	DESCRIPTION			
			1	2	3	4
1-	1013748	1	FINAL ASSEMBLY, ENGINE/WITH CARBURETOR FOR ILLUSTRATION, SEE FIGURE 2-1			
- 1	1013954	1	SHROUD			
- 2	1012845	1	CAP, PLUG			
- 3	1012844	1	SPRING			
- 4	451	8	LOCKWASHER, 1/4			
- 5	1012893	2	SCREW, 6 X 20			
- 6	1012843	1	CLAMP			
- 7	1012520	1	IGNITER			
- 8	1014533	1	HOUSING FAN			
- 9	1013952	1	GASKET			
- 10	332	5	FLATWASHER, 1/4			
- 11	1012945	1	TUBE, WIRE CLAMP			
- 12	1013953	1	COVER, PUMP			
- 13	1012866	1	FLYWHEEL			
- 14	8861	4	BOLT, 3/8-16 X 1-3/4			
- 15	1011990	8	FLATWASHER, 3/8			
- 16	357	4	LOCKWASHER, 3/8			
- 17	706	4	NUT, HEX, 3/8-16			
- 18	1013988	1	CRANKCASE ASSEMBLY KIT INCLUDES ITEMS 9, 12, 18, 29, 36, 37			
- 19	1012846	1	GASKET			
- 20	1012847	1	COVER, INSPECTION			
- 21	1012853	1	BOLT, 6 X 70			
- 22	1012849	1	CLIP			
- 23	1012848	1	TUBE, RUBBER			
- 24	1012889	2	STUD, 8 X 33			
- 25	1012890	2	STUD, 6 X 38			
- 26	1012887	1	INSULATOR			
- 27	NO #	1	DRIVE CLUTCH FOR DETAIL BREAKDOWN, SEE FIGURE 2-2			
- 28	1012841	1	COVER, CYLINDER			
- 29	1012529	7	BOLT WITH LOCKWASHER, 6 X 12			
- 30	1012522	1	PLUG, SPARK			
- 31	1014504	1	DECAL, ENGINE OIL LEVEL			
- 32	7174	4	LOCKWASHER, 5/16			
- 33	1012891	4	BOLT, 8 X 16			
- 34	1012509	1	GASKET			
- 35	1012852	1	GASKET			
- 36	1013746	1	CLAMP HOSE			
- 37	1013818	1	SLEEVE CAP			
- 38	1012537	1	ENGINE DECAL			
- 39	1012577	1	DECAL, ENGINE OIL			
- 40	1014532	1	TUBE, CLAMP			



CARRYALL-I Gasoline

0688A00000

Manual No. 1014650 - Issue Date 6/88  
Effective Serial No. FG8827-147940



**FIGURE 2-2. FINAL ASSEMBLY, ENGINE. SEE LIST 2-2.**

## FINAL ASSEMBLY, ENGINE

FIGURE- ITEM NUMBER	PART NUMBER	UNITS PER ASM	DESCRIPTION			
			1	2	3	4
2 -	NO #		FINAL ASSEMBLY, ENGINE FOR ILLUSTRATION, SEE FIGURE 2-2			
- 1	1012909	3	BOLT, 6 X 14			
- 2	1012945	2	TUBING			
- 3	1012981	1	CLAMP			
- 4	1012939	1	HOLDER			
- 5	1012938	1	CONNECTOR, CORD			
- 6	1012941	1	CLAMP			
- 7	1012984	1	OIL SENDING UNIT			
- 8	1012523	1	GAUGE, OIL			
- 9	1012895	9	BOLT, 8 X 38			
-10	1012864	2	SEAT, SPRING			
-11	1012525	2	SPRING, VALVE			
-12	1012983	1	GUIDE, EXHAUST VALVE			
-13	1012513	1	VALVE, INLET			
-14	1012511	1	GASKET, HEAD			
-15	1013963	1	HEAD, CYLINDER			
-16	1012857	1	NUT, LONG			
-17	1012899	6	BOLT, 8 X 45			
-18	1012514	1	VALVE, EXHAUST			
-19	1012863	2	COLLET, VALVE			
-20	1012926	1	STUD			
-21	1012512	1	CYLINDER ASSEMBLY			
-22	1012708	6	NUT, 10MM			
-23	1012858	1	PLATE, BREATHER			
-24	1012518	1	GASKET, CYLINDER			
-25	1012985	5	STUD			
-26	1012854	1	GROMMET			
-27	1012986	2	LOCKWASHER, M4			
-28	1012898	2	SCREW, 4 X 14			
-29	1012855	1	CLAMP			
-30	1012897	1	BOLT, 6 X 30			
-31	1012521	1	COIL EXCITING			
-32	1012861	1	GASKET			
-33	1012860	1	PLUG, MAIN DRAIN			
-34	1012865	2	TAPPET			
-35	1012947	A/R	CAP, TAPPET t = 2.7MM			
-35	1012948	A/R	CAP, TAPPET t = 2.9MM			
-35	1012949	A/R	CAP, TAPPET t = 3.15MM			
-35	1012950	A/R	CAP, TAPPET t = 3.4MM			
-35	1012951	A/R	CAP, TAPPET t = 3.65MM			
-36	1012519	1	GASKET			
-37	1012894	1	SIDE BASE			
-38	1012862	1	O-RING			
-39	1012927	1	STUD			
-39A	1012896	2	PIN, DOWEL			
-40	451	6	LOCKWASHER, 1/4			
-41	332	2	FLATWASHER, 1/4			
-42	1241	9	FLATWASHER, 5/16			
-43	1011990	6	FLATWASHER, 3/8			
-44	1012529	1	BOLT WITH LOCKWASHER, 6 X 12			

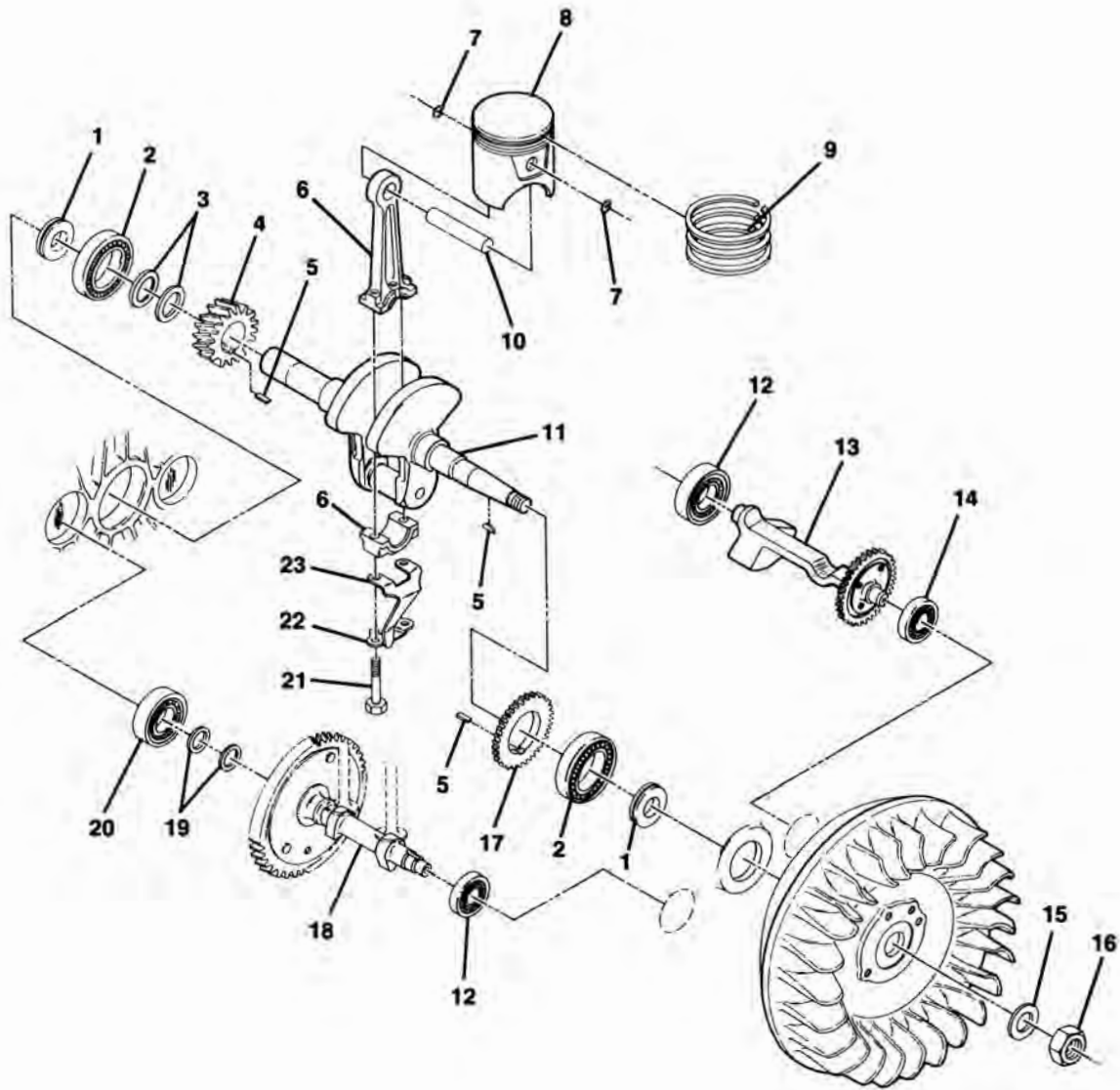


0688A00000

**CARRYALL-I Gasoline**

Manual No. 1014650 - Issue Date 6/88

Effective Serial No. FG8827-147940



**FIGURE 2-3. FINAL ASSEMBLY, ENGINE. SEE LIST 2-3.**

## FINAL ASSEMBLY, ENGINE

FIGURE- ITEM NUMBER	PART NUMBER	UNITS PER ASM	DESCRIPTION			
			1	2	3	4
3 -	NO #		FINAL ASSEMBLY, ENGINE FOR ILLUSTRATION, SEE FIGURE 2-3			
- 1	1012524	2	SEAL, OIL			
- 2	1012867	2	BEARING, BALL, 6306			
- 3	1012873	A/R	SHIM, t = 1.05MM			
- 3	1012954	A/R	SHIM, t = 1.40MM			
- 3	1012955	A/R	SHIM, t = 1.70MM			
- 4	1012872	1	GEAR, CRANK			
- 5	1012871	3	KEY			
- 6	1012517	1	CONNECTING ROD ASSEMBLY			
- 7	1012878	2	RING, SNAP			
- 8	1012515	1	PISTON, STANDARD			
- 8	1012958	A/R	PISTON, .25MM OVERSIZE			
- 8	1012959	A/R	PISTON, .50MM OVERSIZE			
- 9	1012516	1	PISTON RING SET, STANDARD			
- 9	1012960	A/R	PISTON RING SET, .25MM OVERSIZE			
- 9	1012961	A/R	PISTON RING SET, .50MM OVERSIZE			
-10	1012879	1	PIN, PISTON			
-11	1013989	1	CRANK SHAFT ASSEMBLY INCLUDES ITEMS 4, 5 AND 17			
-12	1012877	2	BEARING, BALL, 6203			
-13	1013964	1	SHAFT COMPLETE			
-14	1012884	1	BEARING, BALL, 6202			
-15	1012886	1	WASHER, 18MM			
-16	1012885	1	NUT, LEFT HAND, 18MM			
-17	1013990	1	GEAR, HELICAL			
-18	1013965	1	CAM SHAFT COMPLETE			
-19	1012875	A/R	SHIM, t = 1.05MM			
-19	1012952	A/R	SHIM, t = 1.40MM			
-19	1012953	A/R	SHIM, t = 1.70MM			
-20	1012874	1	BEARING, BALL, 6306			
-21	1012882	2	BOLT, CONNECTING ROD			
-22	1012881	1	LOCKWASHER			
-23	1012880	1	ARM, SPLASH			



**CARRYALL-I Gasoline**

0688A00000

Manual No. 1014650 - Issue Date 6/88

Effective Serial No. FG8827-147940

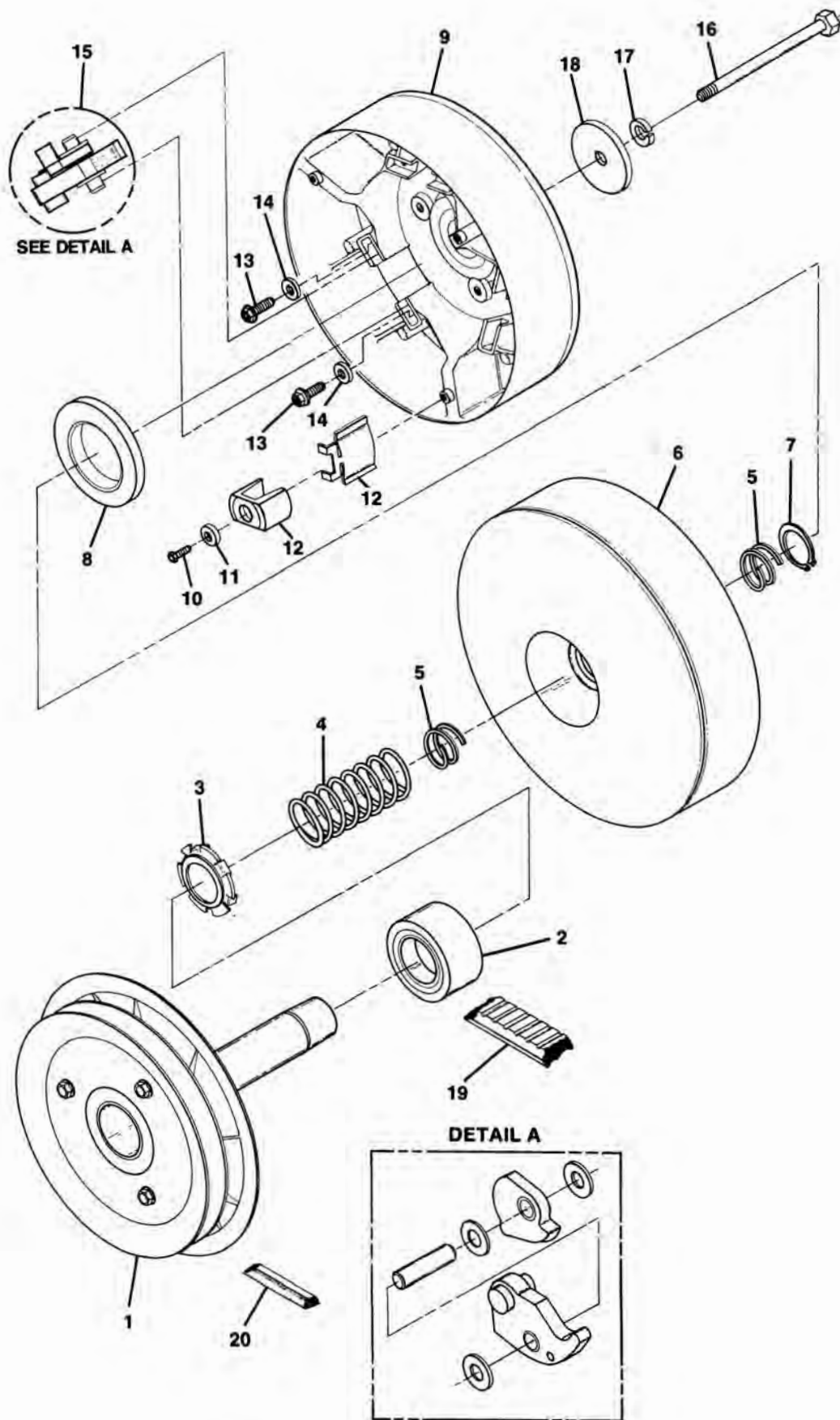


FIGURE 2-4. DRIVE CLUTCH. SEE LIST 2-4.



## DRIVE CLUTCH

FIGURE- ITEM NUMBER	PART NUMBER	UNITS PER ASM	DESCRIPTION			
			1	2	3	4
4 -	1014449	1	DRIVE CLUTCH FOR ILLUSTRATION, SEE FIGURE 2-4			
- 1	1014451	1	FIXED FACE — DRIVE			
- 2	1014049	1	IDLER BEARING			
- 3	1014050	1	SPRING RETAINER			
- 4	1014051	1	SPRING — DRIVE CLUTCH			
- 5	1014056	2	SPIRAL — BACK-UP RING			
- 6	1014052	1	MOVABLE FACE			
- 7	1014057	1	RETAINING RING			
- 8	1014058	1	THRUST WASHER			
- 9	1014059	1	DRIVE HUB			
- 10	8450	3	#10-24 X 1/2" HEX HEAD SCREW			
- 11	183	3	#10 FLATWASHER			
- 12	1014453	1	DRIVE CLUTCH BUTTON KIT INCLUDES ITEMS 10 AND 11			
- 13	1014063	6	1/4-20 HEX HEAD WASHER FACE SCREW			
- 14	332	6	1/4 FLATWASHER			
- 15	1014455	1	DRIVE CLUTCH WEIGHT KIT INCLUDES ITEMS 13 AND 14			
- 16	1012441	1	3/8-24 X 5-1/2" HEX BOLT			
- 17	357	1	3/8" LOCKWASHER			
- 18	808	1	3/8" TYPE B FLATWASHER			
- 19	1014081	1	DRIVE BELT			
- 20	1014290	1	STARTER/GENERATOR BELT			



**CARRYALL-I Gasoline**

0688A00000

Manual No. 1014650 - Issue Date 6/88

Effective Serial No. FG8827-147940

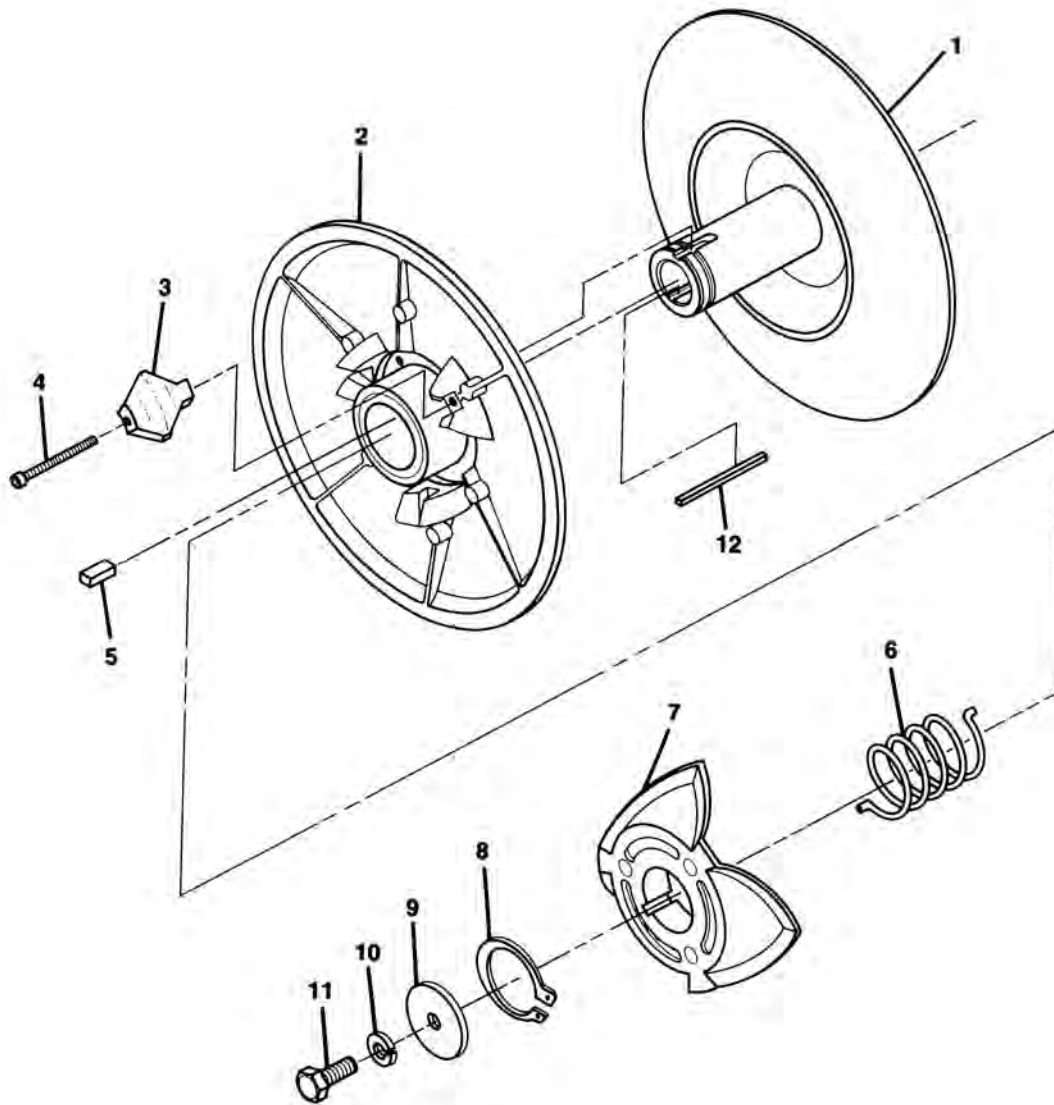


FIGURE 2-5. DRIVEN CLUTCH. SEE LIST 2-5.

FIGURE-ITEM NUMBER	PART NUMBER	UNITS PER ASM	DESCRIPTION				
			1	2	3	4	
5 -	1014450	1					DRIVEN CLUTCH FOR ILLUSTRATION, SEE FIGURE 2-5
- 1	1014458	1					FIXED FACE — DRIVEN
- 2	1014072	1					MOVABLE FACE
- 3	1014454	1					DRIVEN CLUTCH BUTTON KIT INCLUDES ITEM 4
- 4	1012836	3					#8-32 X 3/4" SOCKET HEAD CAP SCREW
- 5	1014078	1					KEY — SHORT
- 6	1014079	1					SPRING
- 7	1014077	1					CAM
- 8	1014080	1					RETAINING RING
- 9	1012571	1					5/16" HEAVY FLATWASHER
- 10	7174	1					5/16" LOCKWASHER
- 11	7173	1					5/16-18 X 3/4" HEX HEAD BOLT
- 12	1012455	1					SHAFT KEY

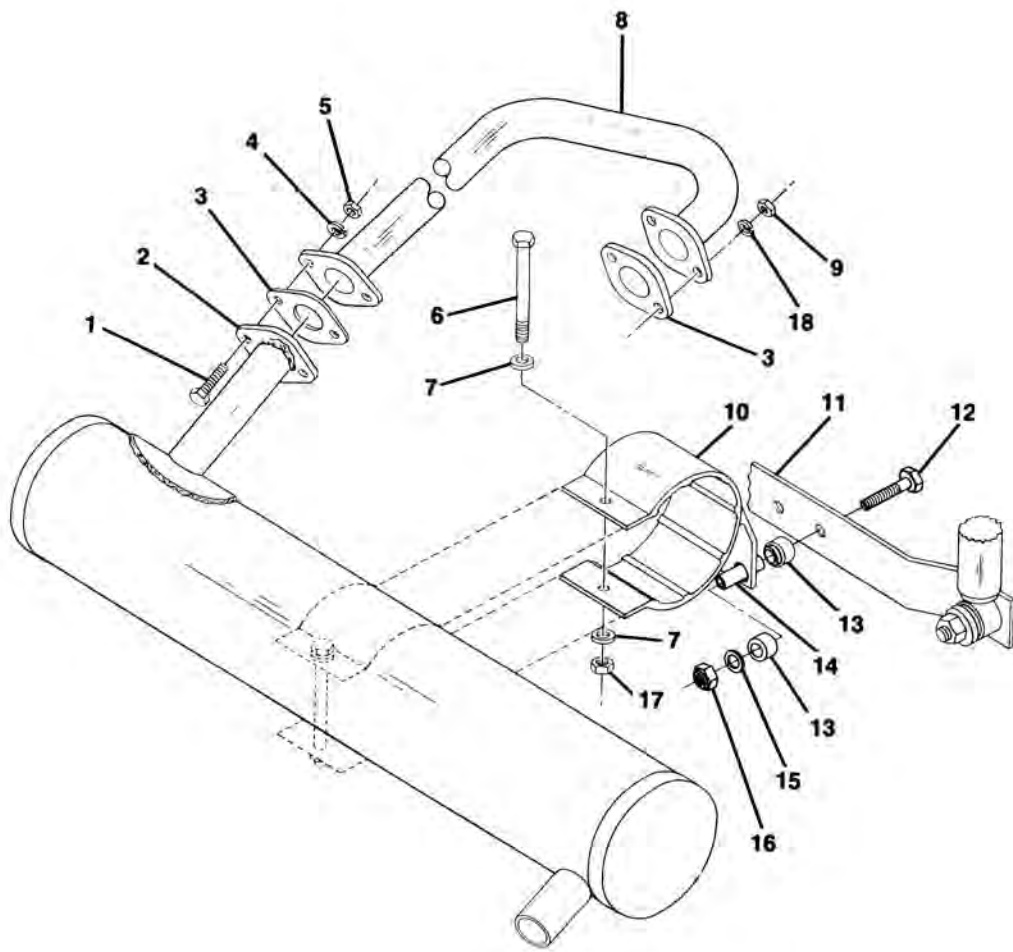


FIGURE 2-6. MUFFLER ASSEMBLY. SEE LIST 2-6.

FIGURE-ITEM NUMBER	PART NUMBER	UNITS PER ASM	DESCRIPTION			
			1	2	3	4
6 -	NO #	REF	MUFFLER ASSEMBLY FOR ILLUSTRATION, SEE FIGURE 2-6			
- 1	1010934	2	BOLT, 5/16-18 HEX			
- 2	1013661	1	MUFFLER			
- 3	1012510	2	EXHAUST GASKET			
- 4	7174	2	LOCKWASHER, 5/16			
- 5	1242	2	NUT, 5/16-18 HEX			
- 6	1012462	1	BOLT, 1/4-20 HEX			
- 7	332	2	FLATWASHER, 1/4			
- 8	1012314	1	EXHAUST HEADER			
- 9	1012528	2	NUT, 8MM HEX			
- 10	1014562	1	MUFFLER CLAMP			
- 11	1012460	1	MUFFLER MOUNTING BAR			
- 12	1010177	2	BOLT, 3/8-16 X 2" HEX			
- 13	1012290	4	BUSHING, RUBBER			
- 14	1012291	2	BUSHING, STEEL			
- 15	808	2	FLATWASHER, 3/8"			
- 16	8754	2	NUT, NYLON LOCK 3/8-16			
- 17	1108	1	DIMPLED LOCKNUT, 1/4-20			
- 18	1013734	2	LOCKWASHER, 8MM			



0688A00000  
 Manual No. 1014650 - Issue Date 6/88  
 Effective Serial No. FG8827-147940

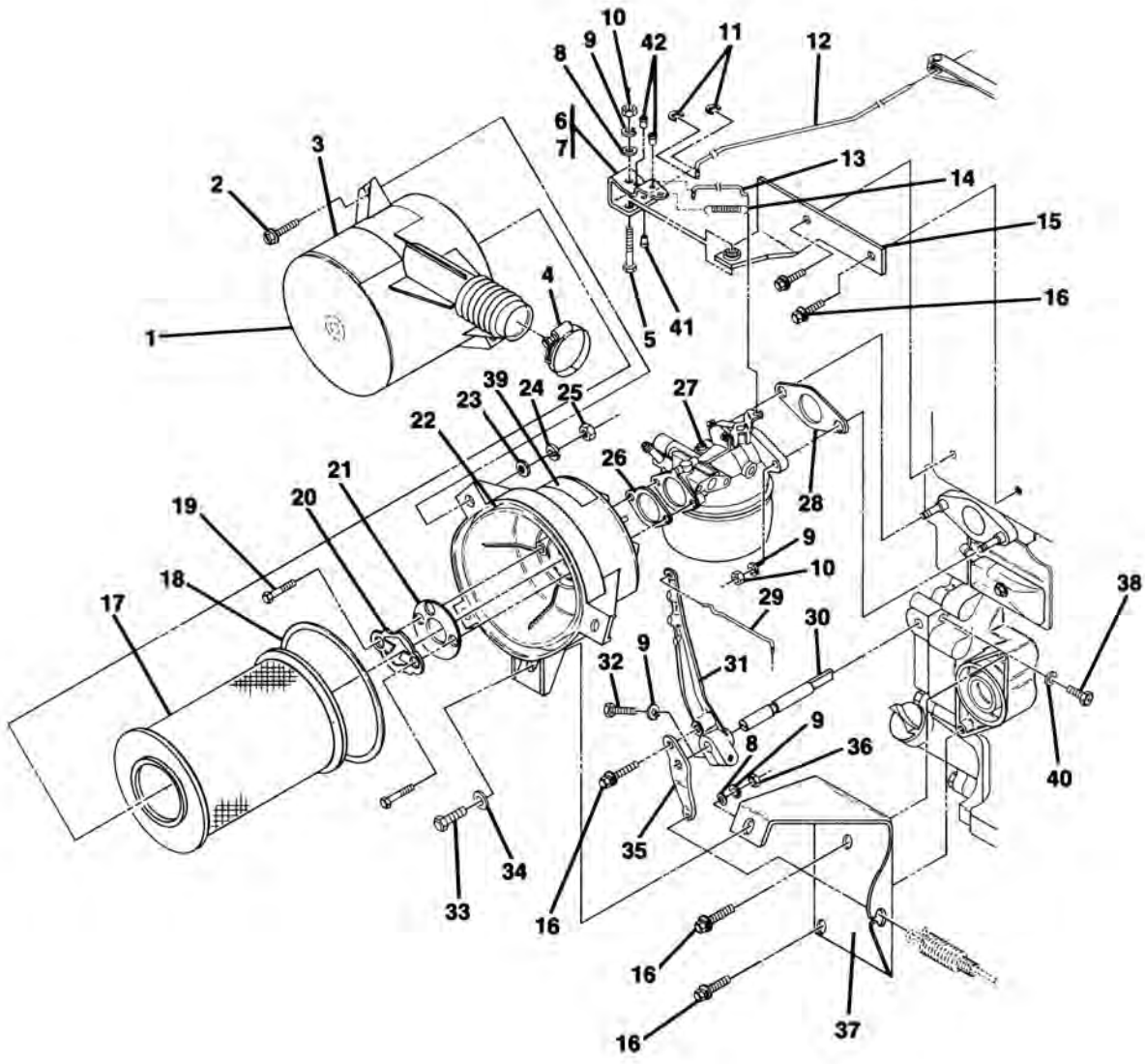


FIGURE 2-7. AIR CLEANER W/CARBURETOR AND LINKAGE. SEE LIST 2-7.

### AIR CLEANER WITH CARBURETOR AND LINKAGE

FIGURE- ITEM NUMBER	PART NUMBER	UNITS PER ASM	DESCRIPTION			
			1	2	3	4
7 -	NO #		AIR CLEANER WITH CARBURETOR AND LINKAGE			
			FOR ILLUSTRATION, SEE FIGURE 2-7			
- 1	1013388	1	AIR FILTER INLET COVER			
			INCLUDES ITEM 3			
- 2	1012126	3	#10-32 X 5/8" SCREW			
- 3	1013393	1	GOVERNOR WARNING DECAL			
- 4	1012348	1	HOSE CLAMP, 2"			
- 5	1012933	1	BOLT, 6MM			
- 6	1012910	1	LEVER ASSEMBLY			
			INCLUDES ITEMS 5, 7, 8, 9, 10 AND 15			
- 7	1012930	1	LEVER, THROTTLE PLATE PIVOT			
			INCLUDES ITEMS 41 AND 42			
- 8	332	1	FLATWASHER, 1/4"			
- 9	451	5	LOCKWASHER, 1/4"			
- 10	1012919	3	NUT, 6MM			
- 11	1013064	2	E-RING			
- 12	1012526	1	GOVERNOR ROD			
- 13	1012911	1	LINK (FIRST)			
- 14	1012912	1	SPRING			
- 15	1012932	1	BRACKET, THROTTLE PLATE MOUNTING			
- 16	1012909	5	BOLT, 6MM X 14MM HEX			
- 17	1013379	1	AIR FILTER ELEMENT			
- 18	1013380	1	O-RING GASKET			
- 19	1012769	2	BOLT, 6MM X 25MM HEX			
- 20	1013333	1	LOCKING PLATE			
- 21	1013332	1	SUPPORT WASHER			
- 22	1013387	1	AIR FILTER HOUSING BASE			
			INCLUDES ITEM 39			
- 23	183	3	#10 FLATWASHER			
- 24	1016	3	#10 LOCKWASHER			
- 25	7893	3	#10-32 HEX NUT			
- 26	1012507	1	AIR INTAKE GASKET			
- 27	1013429	1	CARBURETOR			
			FOR DETAIL BREAKDOWN, SEE FIGURE 2-8			
- 28	1012509	1	CARBURETOR GASKET			
- 29	1012907	1	GOVERNOR LINK			
- 30	1012922	1	GOVERNOR SHAFT			
- 31	1012905	1	GOVERNOR ARM (INSIDE)			
- 32	1012908	1	BOLT, 6MM X 22MM HEX			
- 33	7847	1	1/4-20 X 3/4 HEX BOLT			
- 34	1011697	1	5/16" FLATWASHER			
- 35	1012906	1	GOVERNOR ARM (OUTSIDE)			
- 36	1028	1	1/4-20 HEX NUT			
- 37	1013334	1	AIR FILTER & ACCELERATOR BRACKET			
- 38	1012900	1	BOLT-GOVERNOR SHAFT			
- 39	1012533	1	SERVICE DECAL			
- 40	1012901	1	GASKET, GOVERNOR SHAFT BOLT			
- 41	1013991	1	BUSHING			
- 42	1012931	2	BUSHING			



**CARRYALL-I Gasoline**

0688A00000

Manual No. 1014650 - Issue Date 6/88

Effective Serial No. FG8827-147940

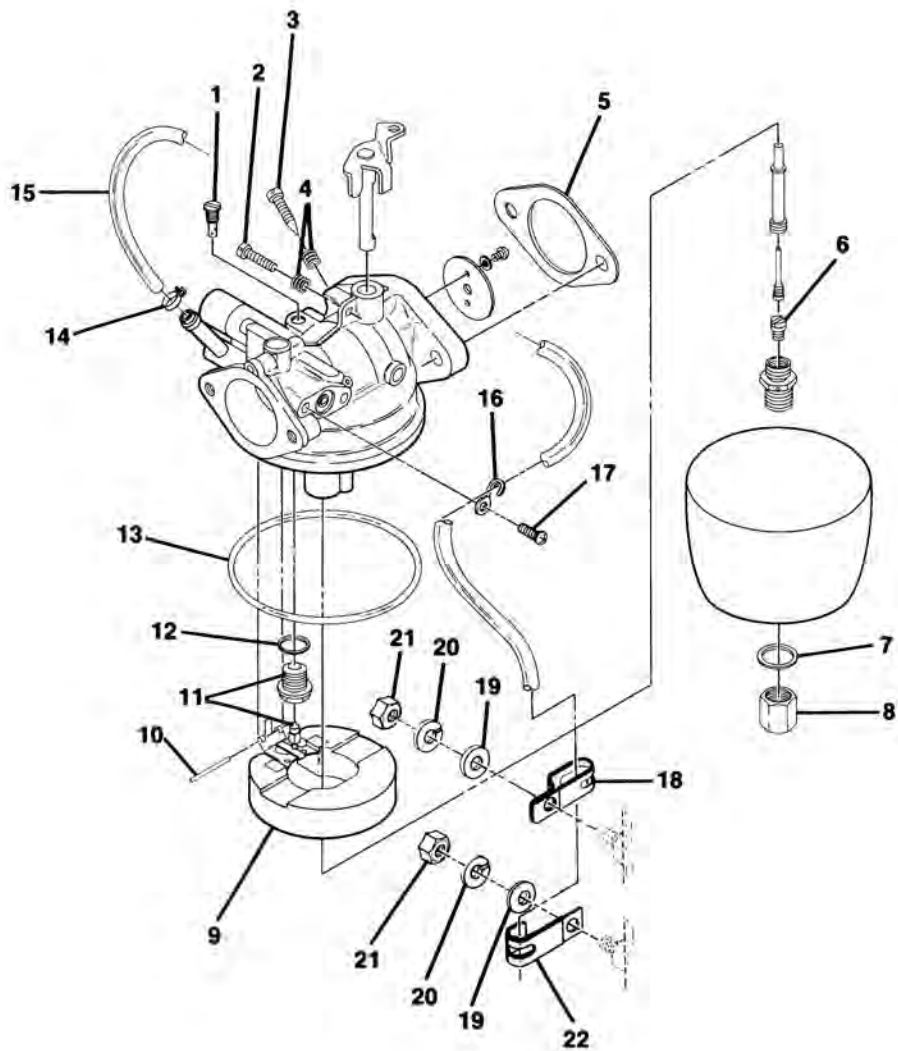


FIGURE 2-8. CARBURETOR ASSEMBLY. SEE LIST 2-8.

## CARBURETOR ASSEMBLY

FIGURE- ITEM NUMBER	PART NUMBER	UNITS PER ASM	DESCRIPTION			
			1	2	3	4
8 -	1013429	1	CARBURETOR ASSEMBLY FOR ILLUSTRATION, SEE FIGURE 2-8			
-	1012974	1	CARBURETOR REBUILD KIT INCLUDES ITEMS 1 THRU 8, 12 AND 13			
- 1	1012786	1	JET, PILOT			
- 2	1012787	1	SCREW, IDLE STOP			
- 3	1012788	1	SCREW, PILOT			
- 4	1012789	2	SPRING			
- 5	1012509	1	GASKET			
- 6	1012795	A/R	JET, MAIN 92.5			
- 6	1012962	A/R	JET, MAIN 90.0			
- 6	1012963	A/R	JET, MAIN 87.5			
- 6	1012964	A/R	JET, MAIN 85.0			
- 6	1013213	A/R	JET, MAIN 82.5			
- 6	1013359	A/R	JET, MAIN 80.0			
- 6	1013879	A/R	JET, MAIN 77.5			
- 7	1012796	1	GASKET			
- 8	1012797	1	NUT			
- 9	1012794	1	FLOAT			
-10	1012793	1	PIN, FLOAT			
-11	1012791	1	NEEDLE VALVE ASSEMBLY			
-12	1012792	1	GASKET			
-13	1012790	1	GASKET			
-14	1013746	1	HOSE CLAMP, FLAT SPRING TYPE			
-15	1013685	1	HOSE, BLACK			
-16	1013689	1	HOSE CLAMP, CARBURETOR RETAINER			
-17	1013690	1	SCREW, SELF TAP 4MM X 6MM			
-18	1013700	1	CLAMP, HOSE RETAINER — LARGE			
-19	1241	2	5/16 FLATWASHER			
-20	7174	2	5/16 LOCKWASHER			
-21	1012528	2	8MM NUT			
-22	1013701	1	CLAMP, HOSE RETAINER — SMALL			

} SEE MAINTENANCE AND  
SERVICE MANUAL FOR  
PROPER JET SELECTION



**CARRYALL-I Gasoline**

0688A00000

Manual No. 1014650 - Issue Date 6/88

Effective Serial No. FG8827-147940

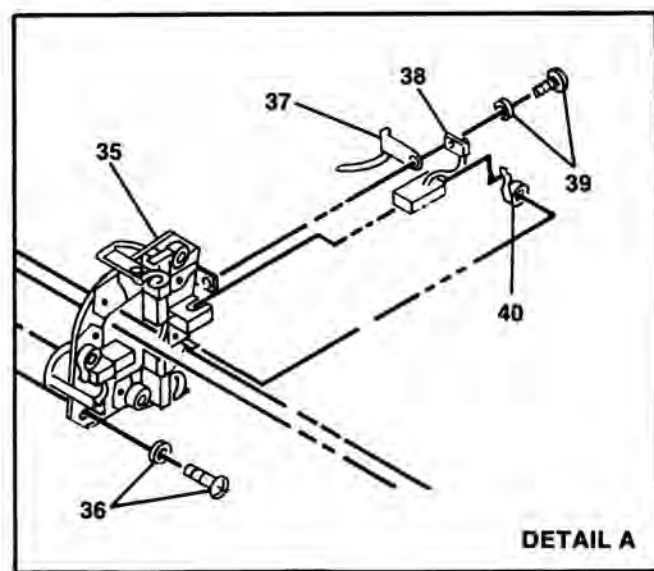
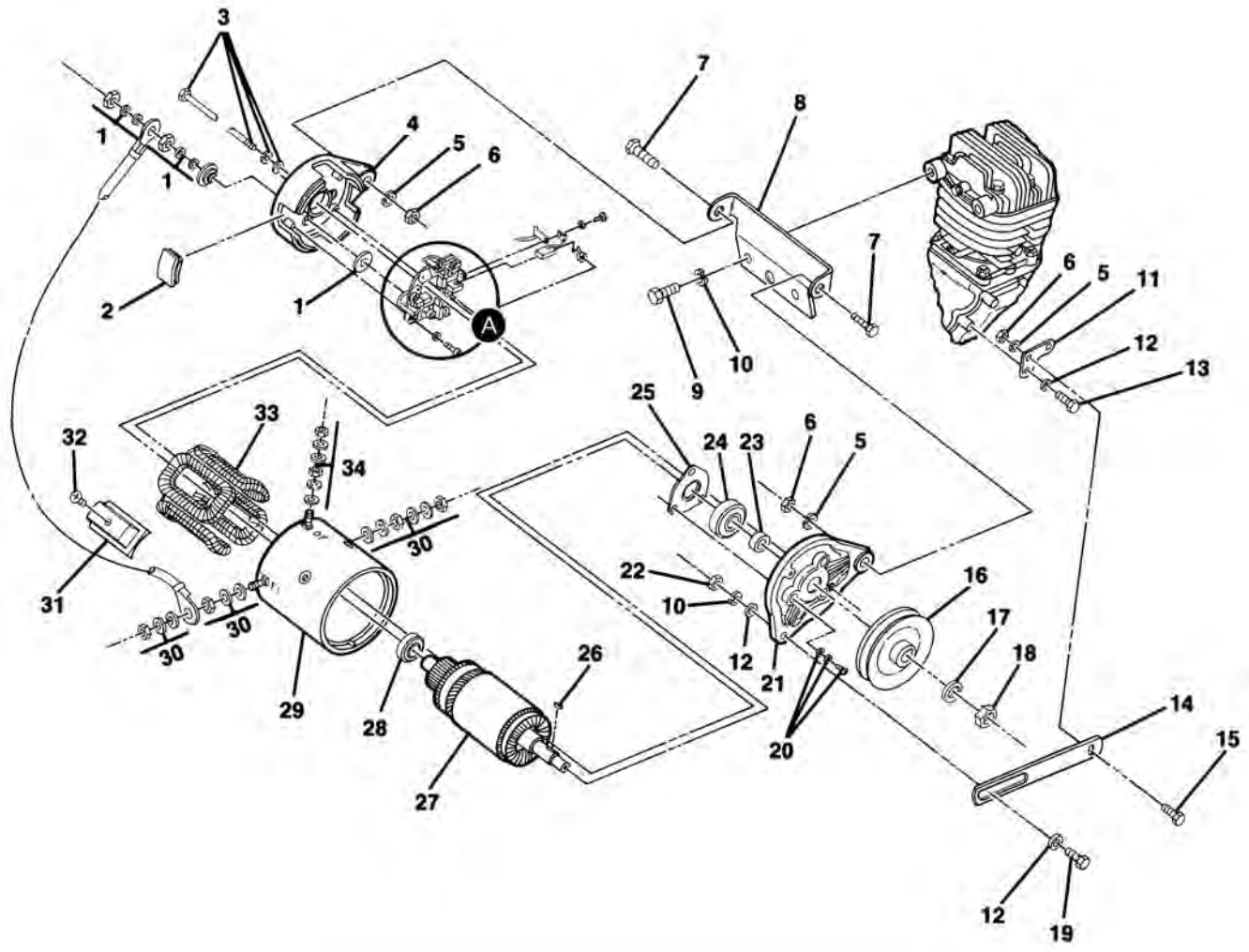


FIGURE 2-9. GENERATOR/STARTER. SEE LIST 2-9.



**GENERATOR/STARTER**

FIGURE- ITEM NUMBER	PART NUMBER	UNITS PER ASM	DESCRIPTION			
			1	2	3	4
9-	1012316	1	GENERATOR/STARTER (COMPLETE) FOR ILLUSTRATION, SEE FIGURE 2-9			
- 1	1012990	2	TERMINAL HARDWARE KIT (A1 AND A2)			
- 2	1012991	4	BRUSH INSPECTION PORT COVER			
- 3	1012992	2	BOLT, 6 X 180 CLAMP			
- 4	1012993	1	COMMUTATOR END BELL			
- 5	357	3	LOCKWASHER, 3/8			
- 6	706	3	NUT, 3/8-16 HEX			
- 7	705	9	CAP SCREW, 3/8-16 X 1-1/4" HEX HEAD			
- 8	1014203	1	STARTER/GENERATOR MOUNTING BRACKET			
- 9	1012442	2	CAP SCREW, 8 X 18 HEX HEAD			
-10	7174	2	LOCKWASHER, 5/16			
-11	1012928	1	STARTER/GENERATOR MOUNTING BRACKET (LOWER)			
-12	1241	3	FLATWASHER, 5/16			
-13	1012929	2	BOLT, 8 X 43 HEX HEAD			
-14	1012335	1	STARTER/GENERATOR ADJUSTING BRACKET			
-15	1012463	1	BOLT, 3/8-16 X 7/8 HEX HEAD			
-16	1014289	1	PULLEY-STARTER/GENERATOR			
-17	NO #	1	LOCKWASHER, M14, SEE ITEM 41			
-18	NO #	1	NUT, M14 X 1.5 HEX, SEE ITEM 41			
-19	1010934	1	BOLT, 5/16-18 X 1" HEX HEAD			
-20	NO #	3	SCREW, M5 X 18 (CROSS-RECESSED), SEE ITEM 41			
-21	1012999	1	END BELL-OUTPUT SHAFT			
-22	1242	1	NUT, 5/16-18 HEX			
-23	1013000	1	SPACER			
-24	1013001	1	BALL BEARING DOUBLE SEAL			
-25	1013002	1	BEARING RETAINER			
-26	1013003	1	KEY			
-27	1013004	1	ARMATURE ASSEMBLY INCLUDES ITEMS 23, 24, 25, AND 28			
-28	1013005	1	BALL BEARING DOUBLE SEAL			
-29	1013006	1	FRAME ASSEMBLY INCLUDES ITEMS 30 THRU 34			
-30	1013007	2	TERMINAL HARDWARE KIT (F1 AND F2)			
-31	NO #	4	POLE PIECE			
-32	1013009	4	SCREW, POLE PIECE			
-33	1013010	1	FIELD COIL ASSEMBLY			
-34	1013017	1	TERMINAL HARDWARE KIT (DF)			
-35	1013011	1	BRUSH HOLDER			
-36	NO #	2	SCREW, M5 X 16, SEE ITEM 41			
-37	1013013	2	CROSSOVER LEAD			
-38	1014699	1	BRUSH PACKAGE (4 PIECES)			
-39	1013014	4	SCREW, M4 X 10, SEE ITEM 41			
-40	1013016	4	BRUSH SPRING			
-41	1013018	1	PULLEY NUT AND SCREW KIT INCLUDES ITEMS 17, 18, 20, 36 AND 39			



**CARRYALL-I Gasoline**

0688A00000

Manual No. 1014650 - Issue Date 6/88

Effective Serial No. FG8827-147940

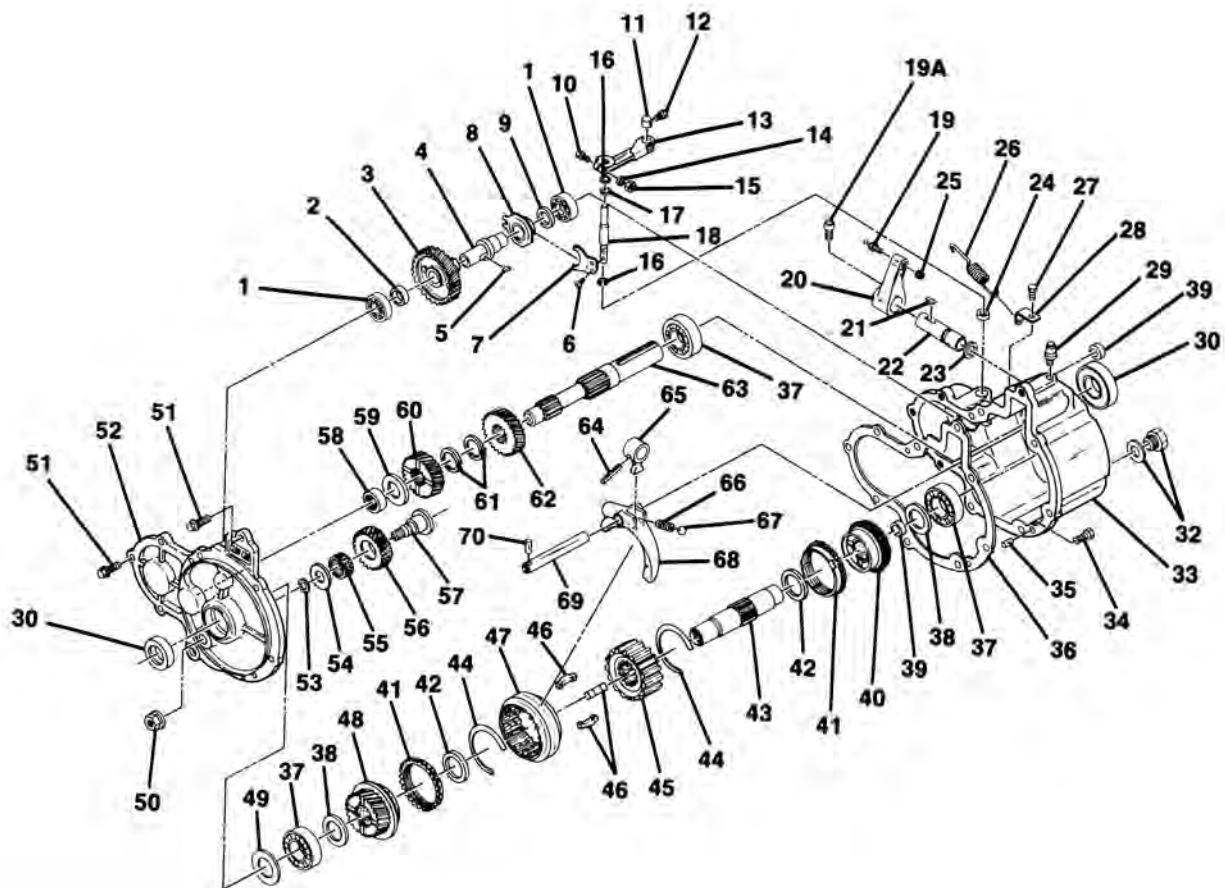


FIGURE 2-10. TRANSMISSION ASSEMBLY. SEE LIST 2-10

FIGURE- ITEM NUMBER	PART NUMBER	UNITS PER ASM	DESCRIPTION			
			1	2	3	4
10 -	1013624		TRANSMISSION ASSEMBLY FOR ILLUSTRATION, SEE FIGURE 2-10			
- 1	1012761	2	BALL BEARING			
- 2	1012759	1	SPACER-THICK			
- 3	1012755	1	GOVERNOR GEAR, 41 TOOTH			
- 4	1012756	1	GOVERNOR SHAFT			
- 5	1012760	1	GOVERNOR SHAFT KEY			
- 6	1012764	2	SCREW, M4 X 0.7 X 6MM			
- 7	1012763	1	GOVERNOR ARM, INTERNAL			
- 8	1012757	1	GOVERNOR SLEEVE			
- 9	1012758	1	SPACER-THIN			
- 10	1012769	1	BOLT, M6 X 1 X 25MM HEX			
- 11	1012772	1	GOVERNOR ARM PIVOT			
- 12	1012773	1	BOLT, M5 X 0.8 X 10MM HEX			
- 13	1012768	1	GOVERNOR ARM, EXTERNAL			
- 14	332	1	WASHER, FLAT			
- 15	1012919	1	NUT, M6 X 1			
- 16	1012766	2	SNAP RING			
- 17	1012765	1	WASHER			
- 18	1012762	1	GOVERNOR ARM SHAFT			
- 19	1010954	1	BALL STUD			

**TRANSMISSION ASSEMBLY CONTINUED**

FIGURE- ITEM NUMBER	PART NUMBER	UNITS PER ASM	DESCRIPTION			
			1	2	3	4
- 19A	1012602	1				CAP SCREW, SOCKET HEAD, 10-24 X 3/8"
- 20	1012414	1				TRANSMISSION SHIFTER ARM, OUTSIDE
- 21	1012753	1				SHIFTER SHAFT KEY
- 22	1012751	1				SHIFTER SHAFT
- 23	1012754	1				O-RING
- 24	1012767	1				OIL SEAL
- 25	8717	1				LOCKNUT, 1/4-28 NYLON
- 26	1012776	1				GOVERNOR SPRING
- 27	1012775	1				BOLT, M6 X 1 X 10MM HEX
- 28	1012774	1				SPRING BRACKET
- 29	1012711	1				BREATHER
- 30	1012714	2				OIL SEAL
- 32	1013759	1				DRAIN PLUG WITH GASKET
- 33	1013960	1				GEAR CASE
- 34	1012719	1				BOLT, M6 X 1 X 14MM HEX
- 35	1012710	2				DOWEL PIN
- 36	1012717	1				CASE GASKET
- 37	7336	3				BALL BEARING
- 38	1012744	2				THRUST WASHER
- 39	1012735	2				PLUG
- 40	1012736	1				GEAR ASSEMBLY, 36 TOOTH
- 41	1012742	2				SYNCHRONIZER RING
- 42	1012743	2				THRUST WASHER
- 43	1012734	1				OUTPUT SHAFT
- 44	1012741	2				SYNCHRO SPRING
- 45	1012738	1				CLUTCH HUB
- 46	1012740	3				SYNCHRO INSERT
- 47	1012739	1				SLEEVE
- 48	1012737	1				GEAR ASSEMBLY, 34 TOOTH
- 49	1012783	A/R				SHIM 0.2MM
- 49	1012784	A/R				SHIM 0.1MM
- 50	1012733	1				FLANGE NUT, M12 X 1.25
- 51	1012718	4				BOLT, M6 X 1 X 20MM HEX
- 52	1012715	1				COVER
- 53	1012732	1				O-RING
- 54	1012730	1				THRUST WASHER
- 55	1012731	1				NEEDLE BEARING
- 56	1012729	1				REVERSE IDLER GEAR
- 57	1012728	1				IDLER SHAFT
- 58	1012716	1				NEEDLE BEARING
- 59	1012723	A/R				THRUST WASHER, 3.0MM
- 59	1012724	A/R				THRUST WASHER, 3.3MM WHITE
- 59	1012725	A/R				THRUST WASHER, 3.6MM YELLOW
- 60	1012722	1				GEAR, 25 TOOTH
- 61	1012727	2				SNAP RING
- 62	1012721	1				GEAR, 27 TOOTH
- 63	1012720	1				INPUT SHAFT
- 64	1012752	1				ROLL PIN
- 65	1012750	1				SHIFTER ARM LEVER, INSIDE
- 66	1012748	1				SHIFTER SPRING
- 67	1012747	1				SHIFTER BALL
- 68	1012746	1				SLEEVE SHIFT ARM
- 69	1012745	1				SHIFT ROD
- 70	1012749	1				ROLL PIN



0688A00000

Manual No. 1014650 - Issue Date 6/88

Effective Serial No. FG8827-147940

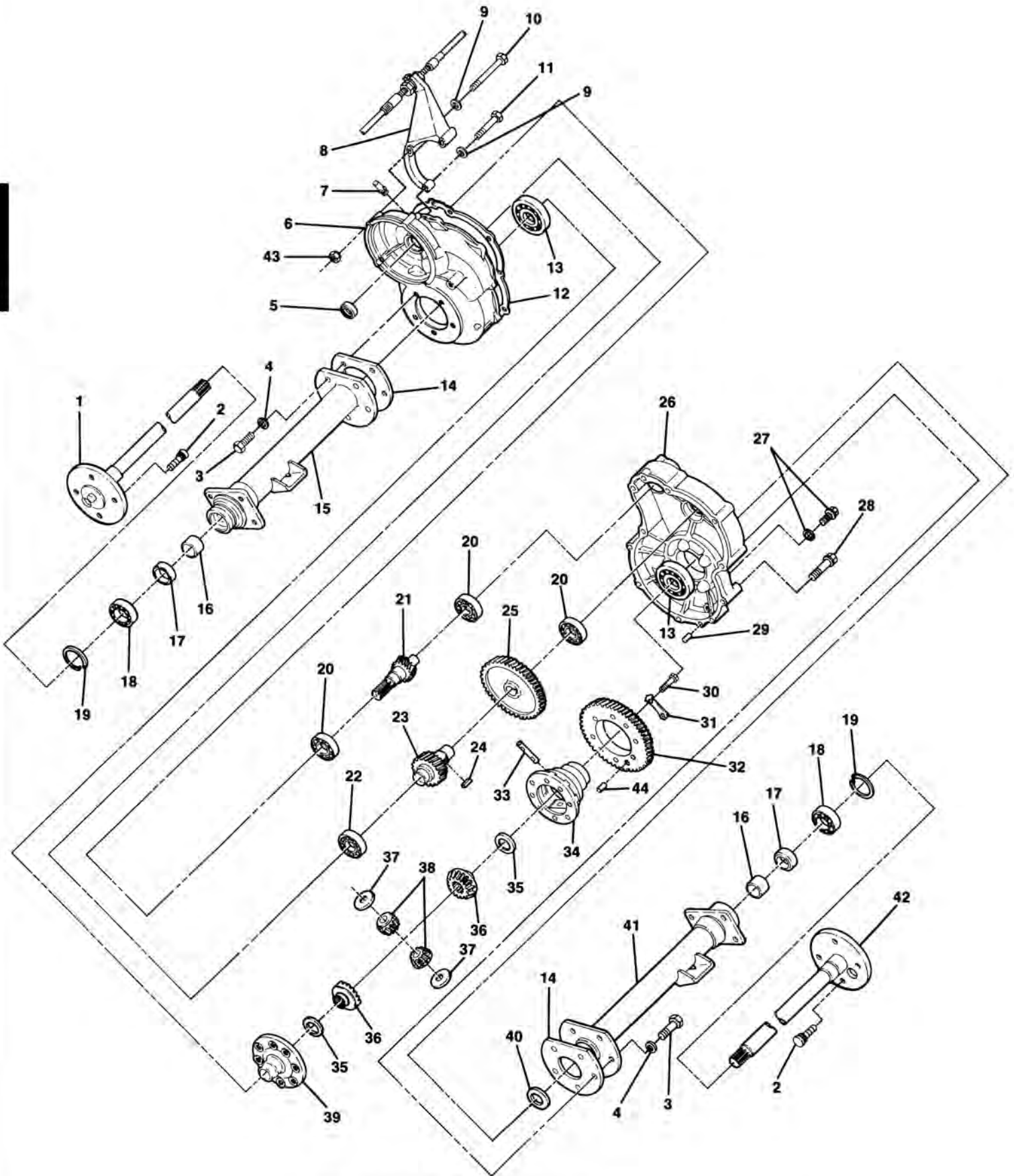


FIGURE 2-11. DRIVE UNIT. SEE LIST 2-11.

## DRIVE UNIT

FIGURE- ITEM NUMBER	PART NUMBER	UNITS PER ASM	DESCRIPTION			
			1	2	3	4
11 -	1013664	1	DRIVE UNIT INCLUDES ALL ITEMS EXCEPT 8, 9, 10, 11 AND 43 FOR ILLUSTRATION, SEE FIGURE 2-11			
- 1	1013785	1	AXLE ASSEMBLY, RIGHT INCLUDES ITEMS 2, 16, 18 AND 19			
- 2	1013787	8	LUG STUD			
- 3	1013790	10	BOLT (10 X 30)			
- 4	1013791	10	LOCKWASHER			
- 5	1013775	1	INPUT SHAFT OIL SEAL			
- 6	1013756	1	GEAR CASE — RIGHT HAND			
- 7	1012711	1	BREATHER PLUG			
- 8	1013866	1	SHIFT CABLE SUPPORT BRACKET KIT INCLUDES ITEMS 9, 10, 11 AND 43			
- 9	332	6	1/4" FLATWASHER			
- 10	1013872	2	1/4-20 X 4" HEX BOLT			
- 11	1012462	1	1/4-20 X 3-1/2" HEX BOLT			
- 12	1013758	1	GASKET			
- 13	7330	2	BEARING, BALL			
- 14	1013789	2	GASKET — AXLE TUBE			
- 15	1014209	1	AXLE TUBE ASSEMBLY — RIGHT HAND			
- 16	1014207	1	BUSHING			
- 17	1013794	2	AXLE SHAFT OIL SEAL			
- 18	1011291	2	OUTER AXLE TUBE BEARING			
- 19	1013792	2	CIRCLIP, TYPE-C			
- 20	7335	3	INPUT GEAR BEARING			
- 21	1013764	1	SHAFT, INPUT			
- 22	7336	1	INTERMEDIATE GEAR BEARING			
- 23	1013766	1	INTERMEDIATE GEAR — SMALL			
- 24	1013780	1	KEY, SUNK			
- 25	1013765	1	INTERMEDIATE GEAR — LARGE			
- 26	1013757	1	GEAR CASE — LEFT HAND			
- 27	1013759	2	FILL PLUG WITH GASKET			
- 28	1013763	10	BOLT (6 X 50)			
- 29	1012710	2	PIN, DOWEL			
- 30	1013779	8	BOLT (8 X 37)			
- 31	1013782	4	PLATE, LOCK			
- 32	1013767	1	OUTPUT GEAR			
- 33	1013772	1	DIFFERENTIAL PIN			
- 34	1013768	1	DIFFERENTIAL GEAR CASE — LEFT HAND			
- 35	1013773	2	PLATE, THRUST (DIFFERENTIAL GEAR)			
- 36	1013771	2	DIFFERENTIAL GEAR			
- 37	1013774	2	PLATE, THRUST (IDLER GEAR)			
- 38	1013770	2	DIFFERENTIAL IDLER GEAR			
- 39	1013769	1	DIFFERENTIAL GEAR CASE — RIGHT HAND			
- 40	1013781	A/R	SHIM			
- 41	1014210	1	AXLE TUBE ASSEMBLY — LEFT HAND			
- 42	1013786	1	AXLE ASSEMBLY, LEFT INCLUDES ITEMS 2, 16, 18 AND 19			
- 43	8233	3	1/4-20 NYLON LOCKNUT			
- 44	1014193	1	PIN, DOWEL			

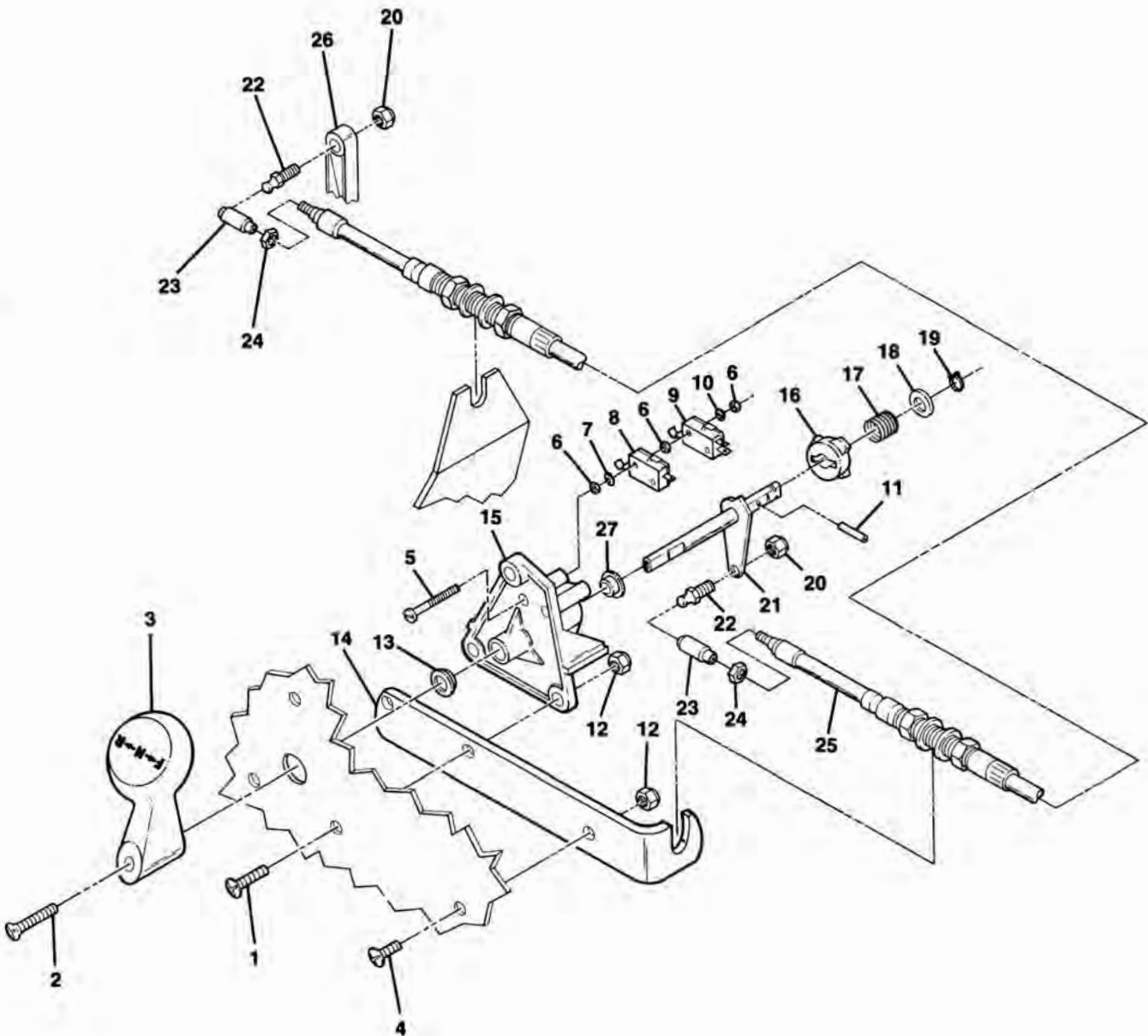


CARRYALL-I Gasoline

0688A00000

Manual No. 1014650 - Issue Date 6/88

Effective Serial No. FG8827-147940



**FIGURE 2-12. F&R SHIFTER ASSEMBLY. SEE LIST 2-12.**

### F&R SHIFTER ASSEMBLY

FIGURE- ITEM NUMBER	PART NUMBER	UNITS PER ASM	DESCRIPTION			
			1	2	3	4
12 -	NO #	1	F&R SHIFTER ASSEMBLY			
			FOR ILLUSTRATION, SEE FIGURE 2-12			
- 1	8251	3	SCREW, 1/4-20 X 1.00" PHILLIPS HEAD			
- 2	1013198	1	#8-32 PHILLIPS MACHINE SCREW			
- 3	1012987	1	F&R HANDLE			
- 4	8248	1	SCREW, 1/4-20 X 3/4" PHILLIPS HEAD			
- 5	1012594	2	SCREW, #4-40 X 1.00" MACHINE			
- 6	8057	6	NUT, #4-40 UNC HEX			
- 7	1012431	2	FLATWASHER, #4			
- 8	8991	1	LIMIT SWITCH			
- 9	4240	1	LIMIT SWITCH			
- 10	8058	2	LOCKWASHER, #4			
- 11	1013591	1	1/8" ROLL PIN			
- 12	8233	4	LOCKNUT, 1/4-20 NYLON			
- 13	1032	1	NYLON BUSHING			
- 14	1012254	1	CABLE SUPPORT BRACKET			
- 15	1013898	1	F&R SHIFTER BASE			
- 16	1014089	1	NEUTRAL LOCK-OUT CAM KIT INCLUDES ITEM 18			
- 17	1013590	1	SPRING — F&R CAM			
- 18	1014065	1	FLATWASHER-DELRIN			
- 19	1013589	1	RETAINING RING			
- 20	8717	2	LOCKNUT, 1/4-28 NYLON			
- 21	1013587	1	F&R BELL CRANK WELDMENT			
- 22	1010954	2	BALL STUD, 1/4-28 UNF X .25			
- 23	1012333	2	BALL JOINT			
- 24	7893	2	NUT, #10-32 UNF HEX			
- 25	1013085	1	TRANSMISSION SHIFT CABLE INCLUDES ITEMS 23 AND 24			
- 26	1012414	1	TRANSMISSION SHIFT LEVER			
- 27	7049	1	NYLON BUSHING			

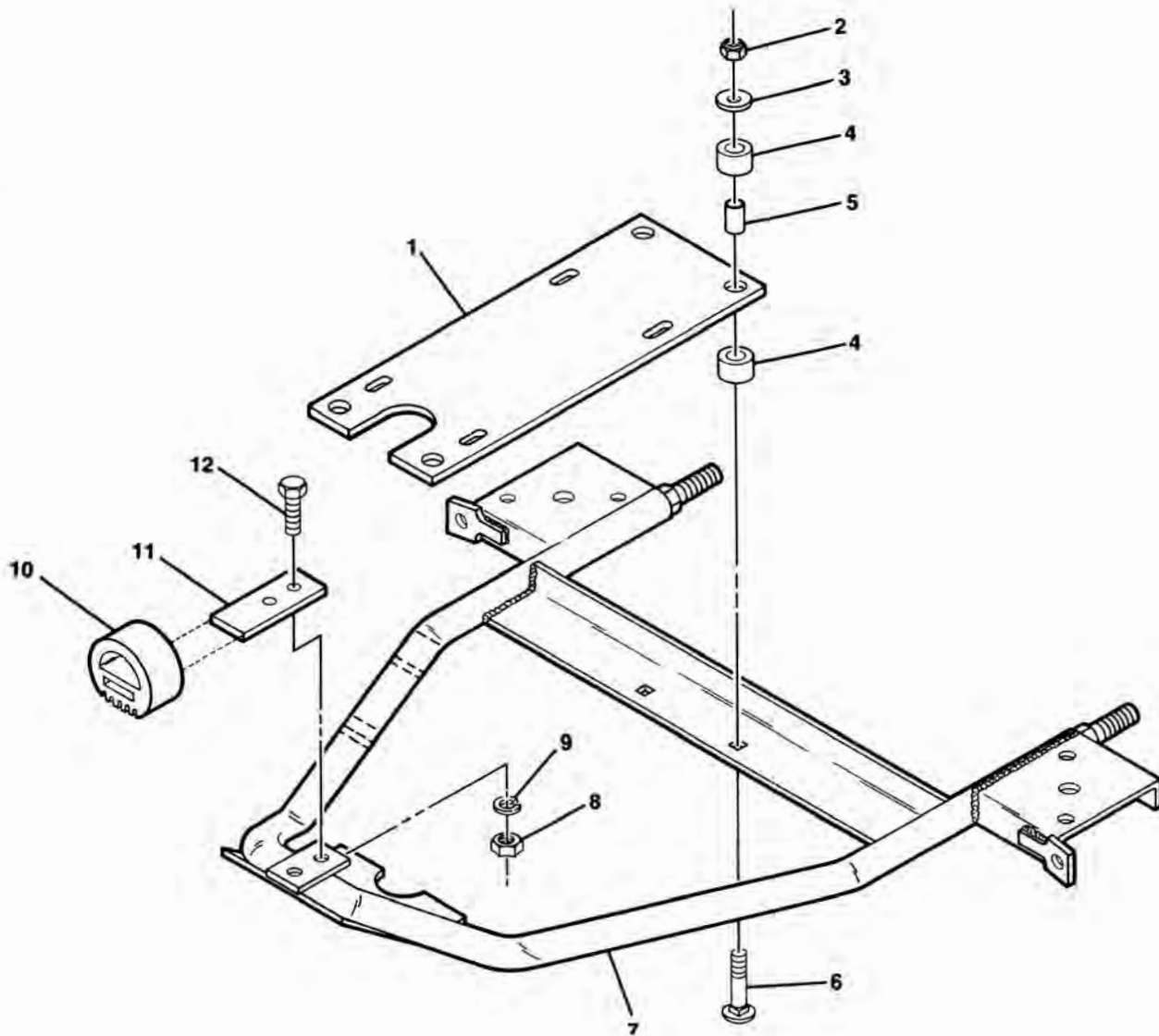
**ClubCar**®

**CARRYALL-I Gasoline**

0688A00000

Manual No. 1014650 - Issue Date 6/88

Effective Serial No. FG8827-147940



**FIGURE 2-13. INNER FRAME ASSEMBLY. SEE LIST 2-13.**



## INNER FRAME ASSEMBLY

FIGURE- ITEM NUMBER	PART NUMBER	UNITS PER ASM	DESCRIPTION
		1 2 3 4	
13 -	NO #	1	INNER FRAME ASSEMBLY FOR ILLUSTRATION, SEE FIGURE 2-13
- 1	1012168	1	ENGINE MOUNTING PLATE
- 2	8754	4	LOCKNUT, 3/8-16 NYLON
- 3	808	4	FLATWASHER, 3/8
- 4	1012290	8	ENGINE MOUNT
- 5	1012291	4	STEEL BUSHING
- 6	1012428	4	NECK BOLT, 3/8-16 ROUND HEAD SQUARE
- 7	1014554	1	INNER FRAME WELD ASSEMBLY
- 8	706	2	NUT, 3/8-16 HEX
- 9	357	2	LOCKWASHER, 3/8
- 10	1012164	1	INNER FRAME SNUBBER
- 11	1012593	1	BRACKET SNUBBER
- 12	320	2	BOLT, 3/8-16 HEX

**ClubCar**®

**CARRYALL-I Gasoline**

0688A00000

Manual No. 1014650 - Issue Date 6/88

Effective Serial No. FG8827-147940

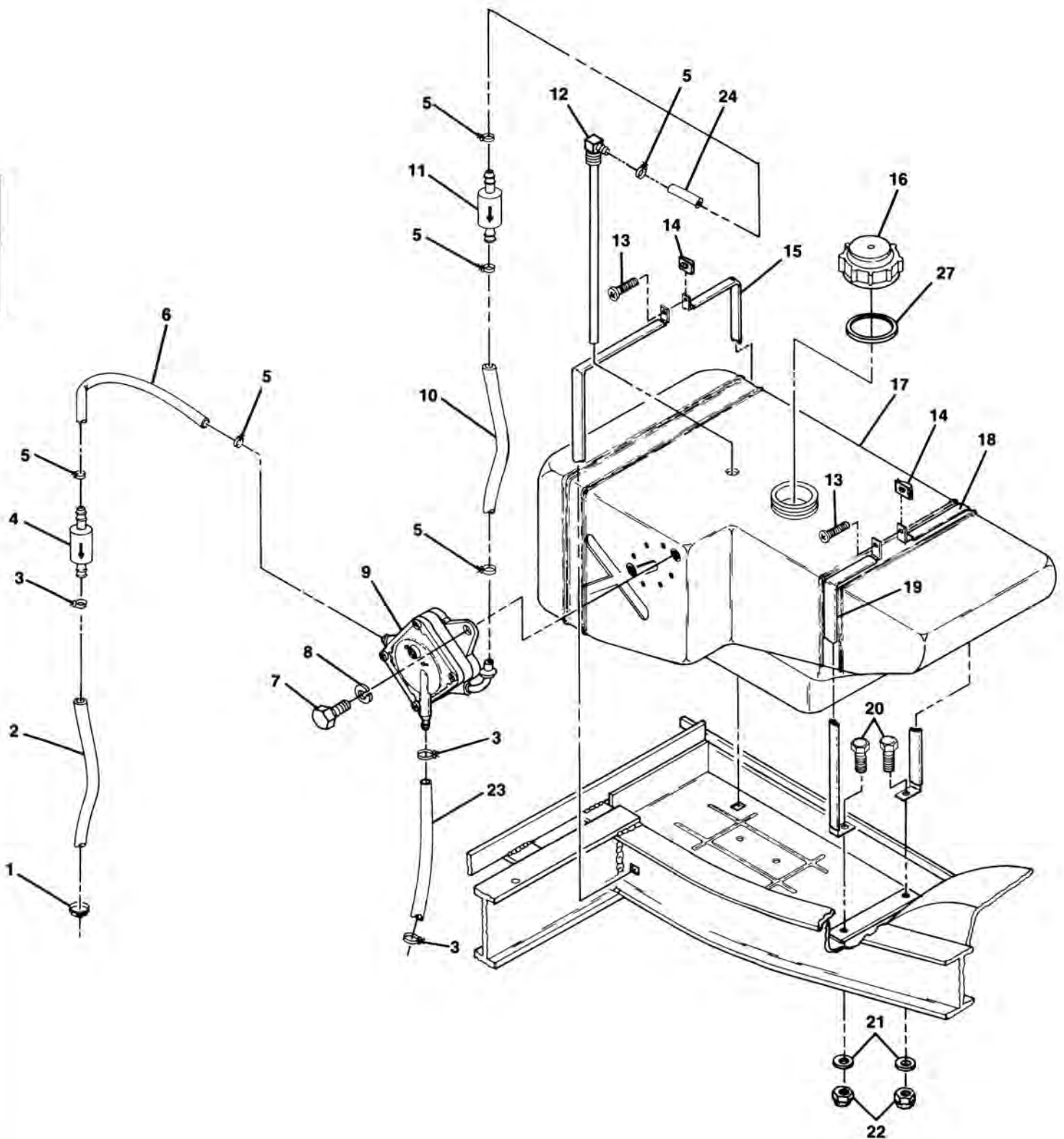


FIGURE 2-14. FUEL SYSTEM ASSEMBLY. SEE LIST 2-14.

## FUEL SYSTEM ASSEMBLY

FIGURE- ITEM NUMBER	PART NUMBER	UNITS PER ASM	DESCRIPTION			
			1	2	3	4
14 -	NO #	1	FUEL SYSTEM ASSEMBLY FOR ILLUSTRATION, SEE FIGURE 2-14			
- 1	1013687	1	CLAMP, HOSE 3/8"			
- 2	NO #	1	LINE, FUEL, 2-1/4" (SEE ITEM 26)			
- 3	1012649	3	CLAMP, HOSE SINGLE WIRE			
- 4	1014522	1	FUEL FILTER, SECONDARY			
- 5	1013134	6	CLAMP, HOSE (RED)			
- 6	NO #	1	LINE, FUEL, 18" (SEE ITEM 25)			
- 7	1012124	2	BOLT, 1/4-20 X 1/2" HEX			
- 8	451	2	LOCKWASHER, 1/4"			
- 9	1014523	1	IMPULSE FUEL PUMP			
- 9A	1014524	A/R	IMPULSE FUEL PUMP REBUILD KIT (NOT SHOWN)			
- 10	NO #	1	LINE, FUEL, 6" (SEE ITEM 25)			
- 11	1013684	1	FUEL FILTER, PRIMARY			
- 12	1012619	1	TUBE, FUEL PICK-UP			
- 13	1011988	2	SCREW, 1/4-20 X 2" PHILLIPS TRUSS HEAD			
- 14	1014116	2	NUT, 1/4-20 "U" TYPE			
- 15	1013972	1	FRONT FUEL STRAP ASSEMBLY			
- 16	1012306	1	CAP, FUEL TANK INCLUDES ITEM 27			
- 17	1013970	1	FUEL TANK			
- 18	1013975	1	REAR INNER FUEL STRAP ASSEMBLY			
- 19	1013974	1	REAR OUTER FUEL STRAP ASSEMBLY			
- 20	7847	2	HEX HEAD BOLT, 1/4-20 X 3/4"			
- 21	332	2	FLATWASHER, 1/4"			
- 22	8233	2	NYLON LOCKNUT, 1/4-20			
- 23	NO #	1	LINE, PULSE (16-1/4") (SEE ITEM 26)			
- 24	NO #	1	LINE, FUEL (2") (SEE ITEM 25)			
- 25	1012293	A/R	CLEAR FUEL LINE (ORDER BY FEET ONLY)			
- 26	1013692	A/R	BLACK FUEL LINE (ORDER BY FEET ONLY)			
- 27	1014535	1	GASKET, FUEL TANK CAP			



**CARRYALL-I Gasoline**

0688A00000

Manual No. 1014650 - Issue Date 6/88

Effective Serial No. FG8827-147940



## **Section III**

# **SUSPENSION AND STEERING GROUP**

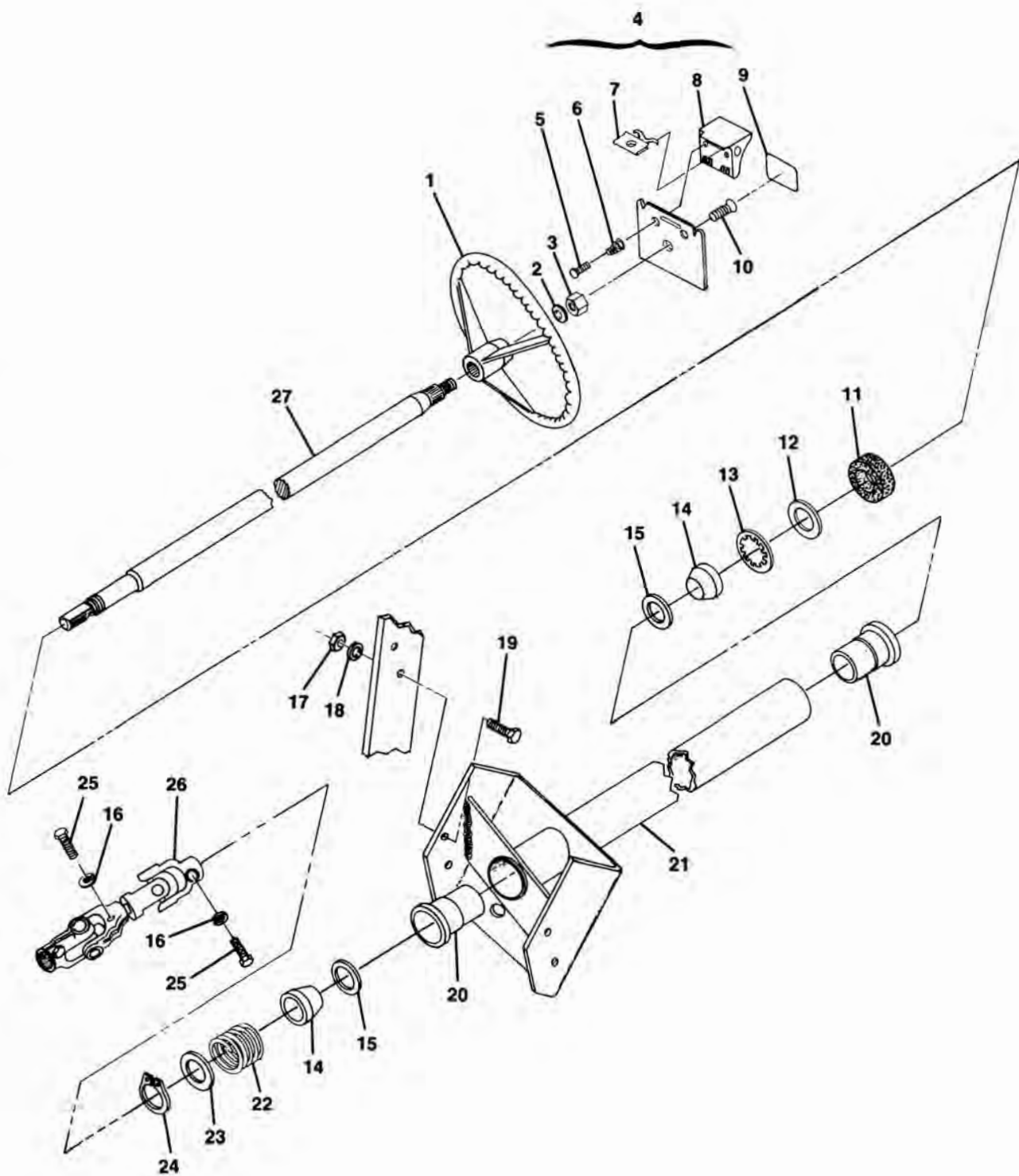


FIGURE 3-1. STEERING COLUMN ASSEMBLY. SEE LIST 3-1.

### STEERING COLUMN ASSEMBLY

FIGURE- ITEM NUMBER	PART NUMBER	UNITS PER ASM	DESCRIPTION			
			1	2	3	4
1 -	NO #	1	STEERING COLUMN ASSEMBLY FOR ILLUSTRATION, SEE FIGURE 3-1			
- 1	1012569	1	WHEEL, STEERING			
- 2	1010193	1	FLATWASHER, 5/8"			
- 3	7209	1	NUT, SCORECARD			
- 4	1013434	1	SCORECARD KIT INCLUDES ITEMS 5 THRU 9			
- 5	1012565	2	SCREW, PHILLIPS PAN HEAD, TAPPING			
- 6	1012566	2	SPRING, COMPRESSION			
- 7	1014260	1	CLIP-PENCIL HOLDER			
- 8	1012504	1	PENCIL HOLDER			
- 9	1013389	1	OPERATING INSTRUCTIONS DECAL			
- 10	7216	1	SCREW, FLAT HEAD 5/16-18			
- 11	1012466	1	COVER, DUST			
- 12	1014211	1	SEAL BEARING			
- 13	1014214	1	RING, RETAINING			
- 14	1014125	2	WEDGE			
- 15	1014213	2	BEARING			
- 16	7174	2	LOCKWASHER, 5/16"			
- 17	8754	4	LOCKNUT, 3/8-16			
- 18	334	4	FLATWASHER, 3/8"			
- 19	320	4	BOLT, HEX, 3/8-16			
- 20	1014126	2	BEARING SEAT			
- 21	NO #	1	COLUMN WELD ASSEMBLY			
- 22	1014217	1	SPRING			
- 23	1012604	1	WASHER			
- 24	1012605	1	SNAP RING			
- 25	1012830	2	BOLT, HEX, 8MM			
- 26	1013861	1	JOINT YOKE COMPOUND STEERING INCLUDES ITEMS 17 AND 28			
- 27	NO #	1	SHAFT (SEE ITEM 28)			
- 28	1014268	1	STEERING COLUMN ASSEMBLY INCLUDES ITEMS 11 THRU 15, 20 THRU 24, AND 27			
- 29	1014216	A/R	STEERING COLUMN REBUILD KIT INCLUDES ITEMS 11 THRU 15, 20, 22 AND 24			



CARRYALL-I Gasoline

0688A00000

Manual No. 1014650 - Issue Date 6/88

Effective Serial No. FG8827-147940

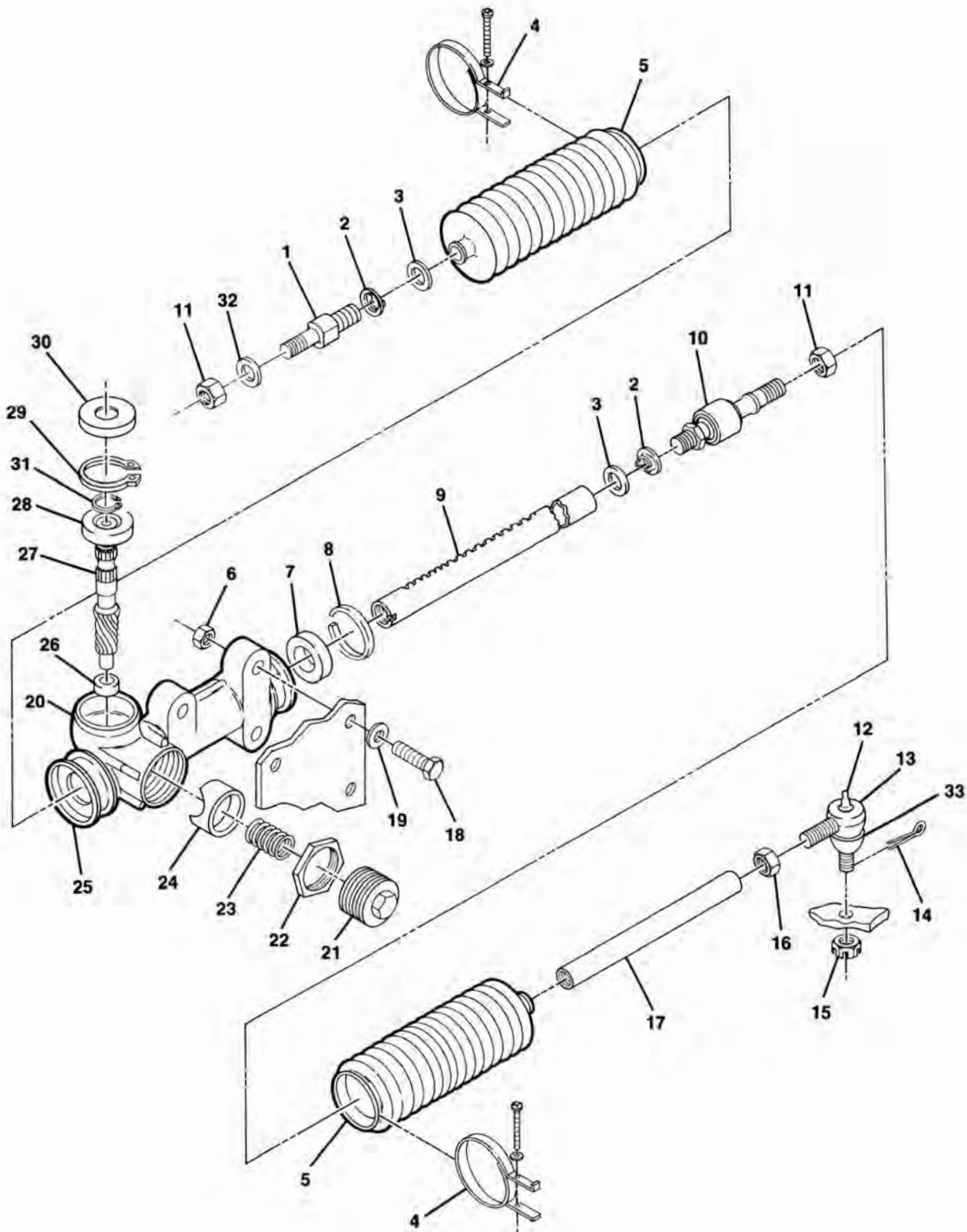


FIGURE 3-2. STEERING ASSEMBLY. SEE LIST 3-2.



## STEERING ASSEMBLY

FIGURE- ITEM NUMBER	PART NUMBER	UNITS PER ASM	DESCRIPTION			
			1	2	3	4
2 -	NO #	1	STEERING ASSEMBLY			
			FOR ILLUSTRATION, SEE FIGURE 3-2			
- 1	1013053	1	BOLT, STOPPER, 12MM			
- 2	1013040	2	LOCKWASHER, TIE ROD			
- 3	1013039	2	WASHER, TIE ROD STOPPER			
- 4	1013034	2	BAND, BELLOWS			
- 5	1013035	2	SEAL, DUST			
- 6	1010138	3	LOCKNUT, 3/8-16			
- 7	1013036	1	BUSHING, RACK			
- 8	1013037	1	RING, SNAP			
- 9	NO #	1	RACK, STEERING (SEE ITEM 20)			
-10	1013041	1	END, RACK			
-11	1013042	2	NUT, HEX, 12MM			
-12	1010116	1	FITTING, GREASE			
-13	7540	1	SOCKET, VERTICAL, LEFT HAND INCLUDES ITEMS 12 AND 15			
-14	1035	1	PIN, COTTER			
-15	7602	1	NUT, HEX, SLOTTED, 3/8-24			
-16	7555	1	NUT, LEFT HAND, JAM, 1/2-20			
-17	1012467	1	LINK, DRAG			
-18	1624	3	BOLT, HEX, 3/8-16			
-19	1012498	3	FLATWASHER, 3/8			
-20	1012452	1	STEERING GEAR BOX ASSEMBLY INCLUDES ITEMS 1 THRU 5, 7 THRU 11 AND 21 THRU 30			
-21	1013043	1	SCREW, RACK GUIDE			
-22	1013044	1	LOCKNUT, RACK SCREW			
-23	1013045	1	SPRING, RACK GUIDE PRESSURE			
-24	1013046	1	GUIDE, STEERING RACK			
-25	1013047	1	BOX, STEERING GEAR			
-26	1013048	1	BUSHING, PINION			
-27	NO #	1	PINION, STEERING (SEE ITEM 20)			
-28	1012884	1	BALL BEARING			
-29	1013051	1	RING-RETAINING, INTERNAL			
-30	1013052	1	DUST SEAL, STEERING PINION			
-31	1013031	1	RING-RETAINING, EXTERNAL			
-32	1013030	1	WASHER, END			
-33	1011930	1	DUST SEAL			



CARRYALL Gasoline

0688A00000

Manual No. 1014650 - Issue Date 6/88

Effective Serial No. FG8827-147940

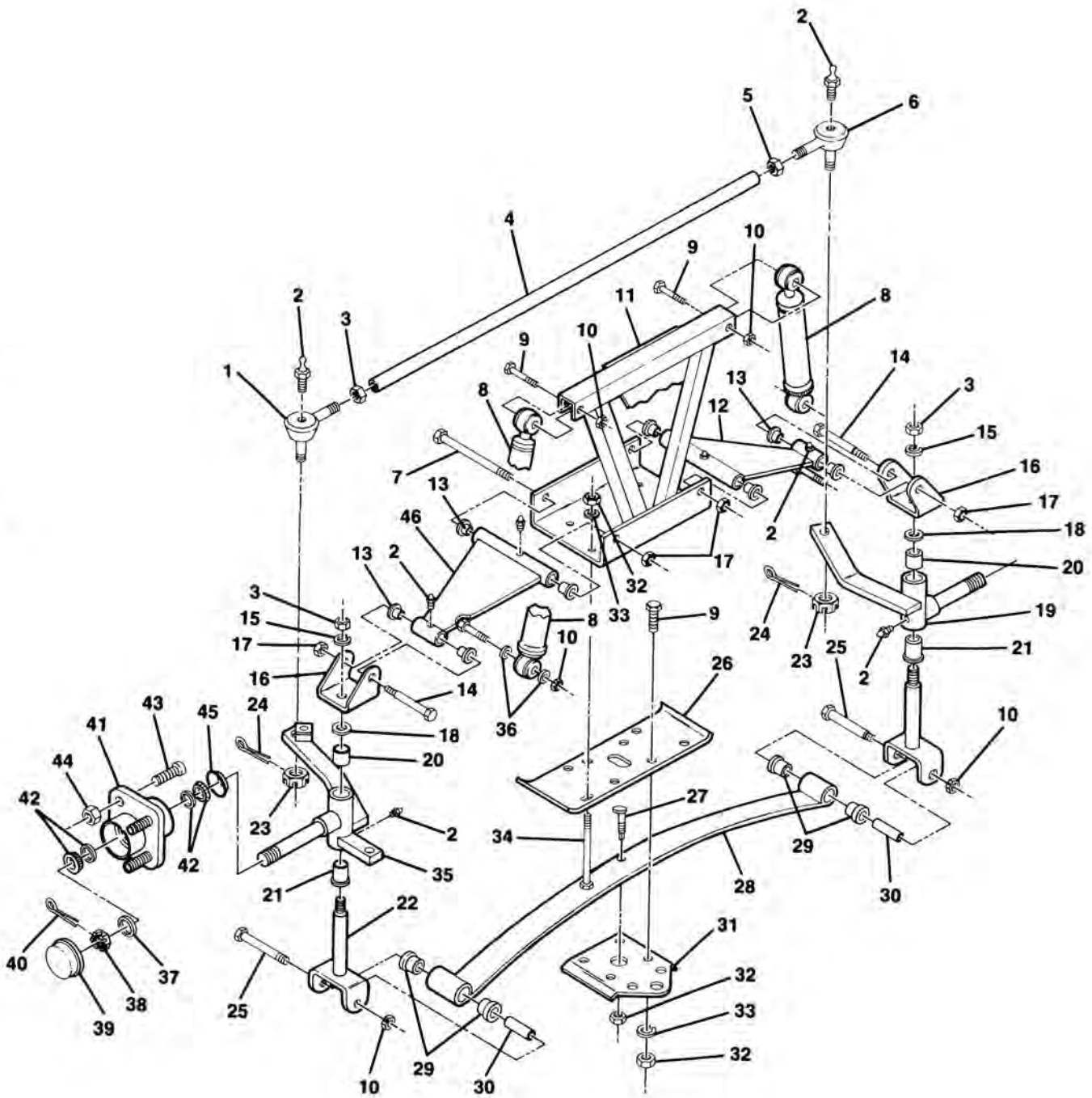


FIGURE 3-3. FRONT SUSPENSION ASSEMBLY. SEE LIST 3-3.

### FRONT SUSPENSION ASSEMBLY

FIGURE- ITEM NUMBER	PART NUMBER	UNITS PER ASM	DESCRIPTION			
			1	2	3	4
3 -	NO #	1	FRONT SUSPENSION ASSEMBLY FOR ILLUSTRATION, SEE FIGURE 3-3			
- 1	7539	1	JOINT, RIGHT HAND BALL INCLUDES ITEM 23			
- 2	1010116	6	FITTING, GREASE			
- 3	1308	3	NUT, 1/2-20 HEX			
- 4	1010219	1	ROD, TIE			
- 5	7555	1	NUT, 1/2-20 LEFT HAND HEX			
- 6	7540	1	JOINT, LEFT HAND BALL INCLUDES ITEM 23			
- 7	1010126	2	BOLT, 3/8-16 SHOULDER HEX			
- 8	1014233	2	ABSORBER, SHOCK			
- 9	1624	6	BOLT, 3/8-16 HEX			
-10	1010138	6	LOCKNUT, 3/8-16			
-11	1012496	1	SHOCK SUPPORT WELD ASSEMBLY			
-12	1014712	1	"A" PLATE SUBASSEMBLY (LEFT HAND) INCLUDES ITEMS 2 AND 13			
-13	7719	8	BUSHING, BRONZE			
-14	1010125	2	BOLT, 3/8-16 SHOULDER HEX			
-15	209	2	LOCKWASHER, 1/2			
-16	1010117	2	CLEVIS, UPPER			
-17	8754	4	LOCKNUT, 3/8-16 NYLON			
-18	1010150	2	WASHER, THRUST			
-19	1010348	1	SPINDLE LEFT HAND ASSEMBLY INCLUDES ITEMS 2, 20, AND 21			
-20	8067	2	BUSHING, SPINDLE			
-21	7048	2	BUSHING, 3/4 BRONZE			
-22	1010121	2	KING PIN ASSEMBLY			
-23	7602	2	NUT, 3/8-24 SLOTTED HEX			
-24	1035	2	PIN, COTTER 3/32 X 1"			
-25	8755	2	BOLT, 3/8-16 HEX			
-26	1010124	1	PLATE, FRONT SPRING MOUNTING			
-27	8745	1	ADJUSTER, FRONT SPRING ECCENTRIC			
-28	1013867	1	SPRING, FRONT INCLUDES ITEMS 27 AND 32			
-29	7050	4	BUSHING, 1/2 RUBBER			
-30	1012303	2	BUSHING, 3/8 STEEL			
-31	1014276	1	PLATE, FRONT SPRING RETAINER			
-32	706	9	NUT, 3/8-16 HEX			
-33	357	8	LOCKWASHER, 3/8			
-34	1010200	4	BOLT, 3/8-16			
-35	1010347	1	SPINDLE RIGHT HAND ASSEMBLY INCLUDES ITEMS 2, 20 AND 21			
-36	334	4	FLATWASHER, 3/8			
-37	1010005	2	FLATWASHER, SPECIAL			
-38	7840	2	NUT, 3/4-16 SLOTTED HEX			
-39	1011887	2	COVER, DUST			
-40	7910	2	PIN, COTTER 5/32 X 1"			
-41	1011892	2	HUB ASSEMBLY INCLUDES ITEMS 39, 42, 43 AND 45			
-42	1011393	4	BEARING, HUB PACKAGE (2 PIECES)			
-43	1011304	8	STUD, LUG			
-44	1011390	8	NUT, LUG			
-45	1013135	2	SEAL, DUST			
-46	1014713	1	"A" PLATE ASSEMBLY, RIGHT HAND INCLUDES ITEMS 2 AND 13			

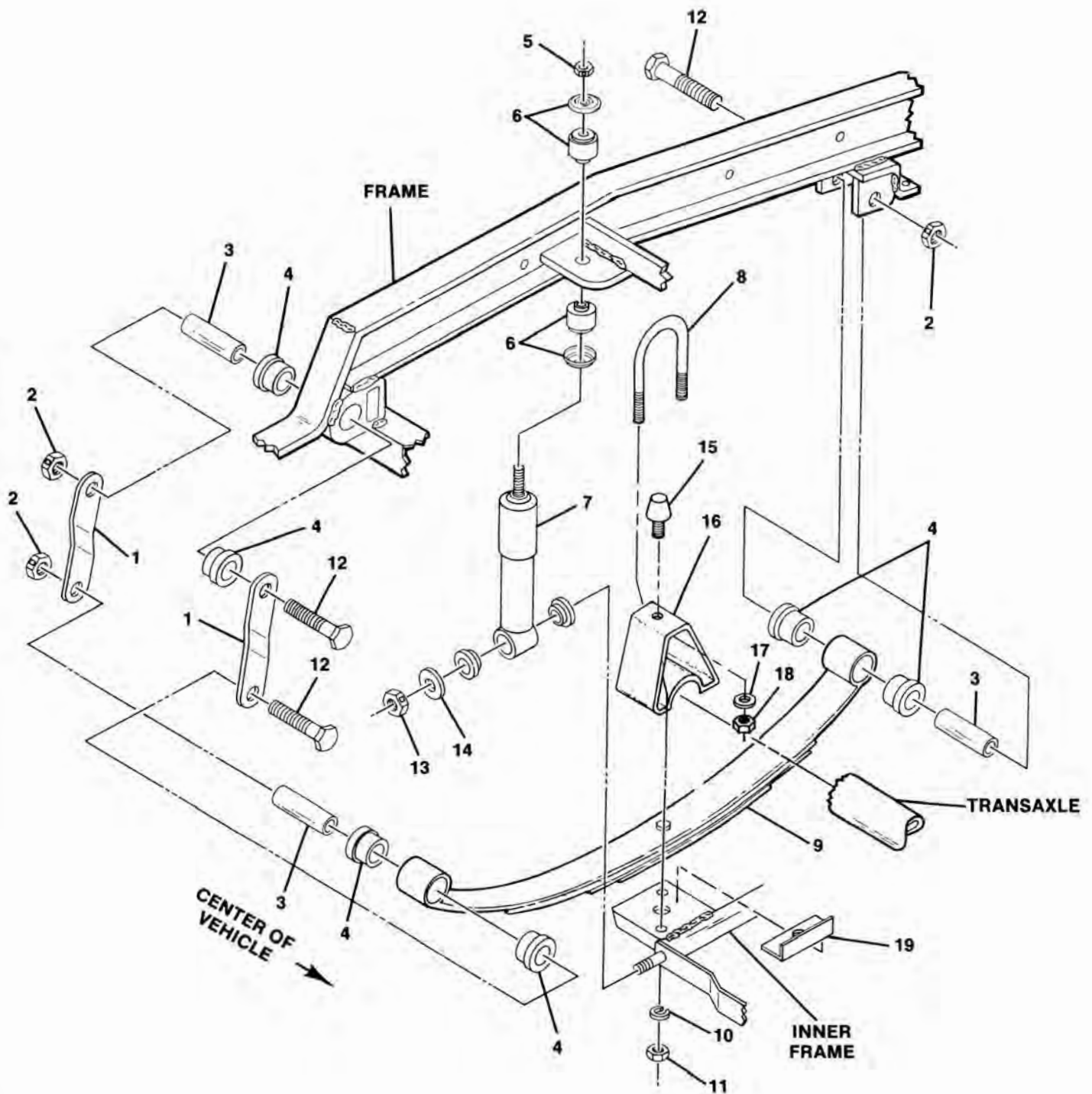
**ClubCar**®

CARRYALL-I Gasoline

0688A00000

Manual No. 1014650 - Issue Date 6/88

Effective Serial No. FG8827-147940



**FIGURE 3-4. REAR SUSPENSION ASSEMBLY. SEE LIST 3-4.**

## REAR SUSPENSION ASSEMBLY

FIGURE- ITEM NUMBER	PART NUMBER	UNITS PER ASM	1 2 3 4	DESCRIPTION
4 -	NO #	1		REAR SUSPENSION ASSEMBLY FOR ILLUSTRATION, SEE FIGURE 3-4
- 1	1012304	4		REAR SPRING SHACKLE
- 2	1010138	6		DIMPLED LOCKNUT, 3/8-16 UNC
- 3	1012303	4		STEEL BUSHING
- 4	7050	8		RUBBER BUSHING
- 5	1010145	2		NUT, 3/8-24 UNC HEX
- 6	1011415	2		SHOCK ABSORBER CUSHION KIT
- 7	1012781	1		SHOCK ABSORBER KIT INCLUDES ITEM 6
- 8	1014553	2		"U" BOLT
- 9	1014675	2		REAR SPRING
- 10	1014557	4		FLATWASHER, 7/16"
- 11	1014555	4		NYLON LOCKNUT, 7/16-14
- 12	8755	6		BOLT, HEX, 3/8-16 UNC X 3-3/8"
- 13	1010188	2		DIMPLED LOCKNUT, 5/8-11
- 14	1010193	2		FLATWASHER, 5/8
- 15	1014552	2		OVERLOAD BUMPER
- 16	1014546	2		OVERLOAD BUMPER MOUNT
- 17	1241	2		FLATWASHER, 5/16
- 18	7473	2		NYLON LOCKNUT, 5/16-18
- 19	1014573	2		SPRING RETAINER



0688A00000

CARRYALL-I Gasoline

Manual No. 1014650 - Issue Date 6/88  
Effective Serial No. FG8827-147940



## **Section IV**

# **BRAKE SYSTEM AND PEDAL GROUP**

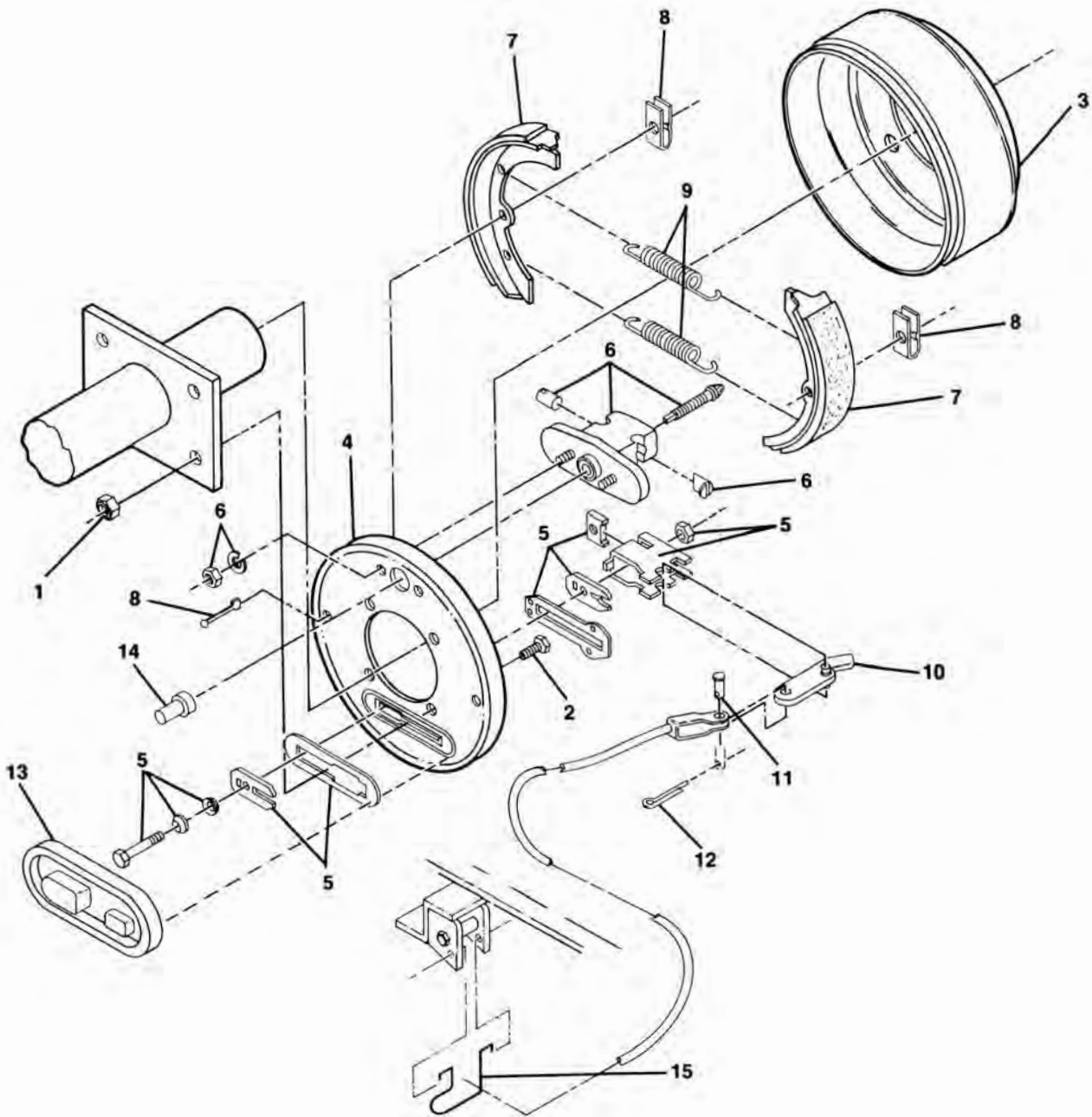


FIGURE 4-1. BRAKE CLUSTER, RIGHT HAND AND LEFT HAND. SEE LIST 4-1.



**BRAKE CLUSTER, RIGHT HAND AND LEFT HAND**

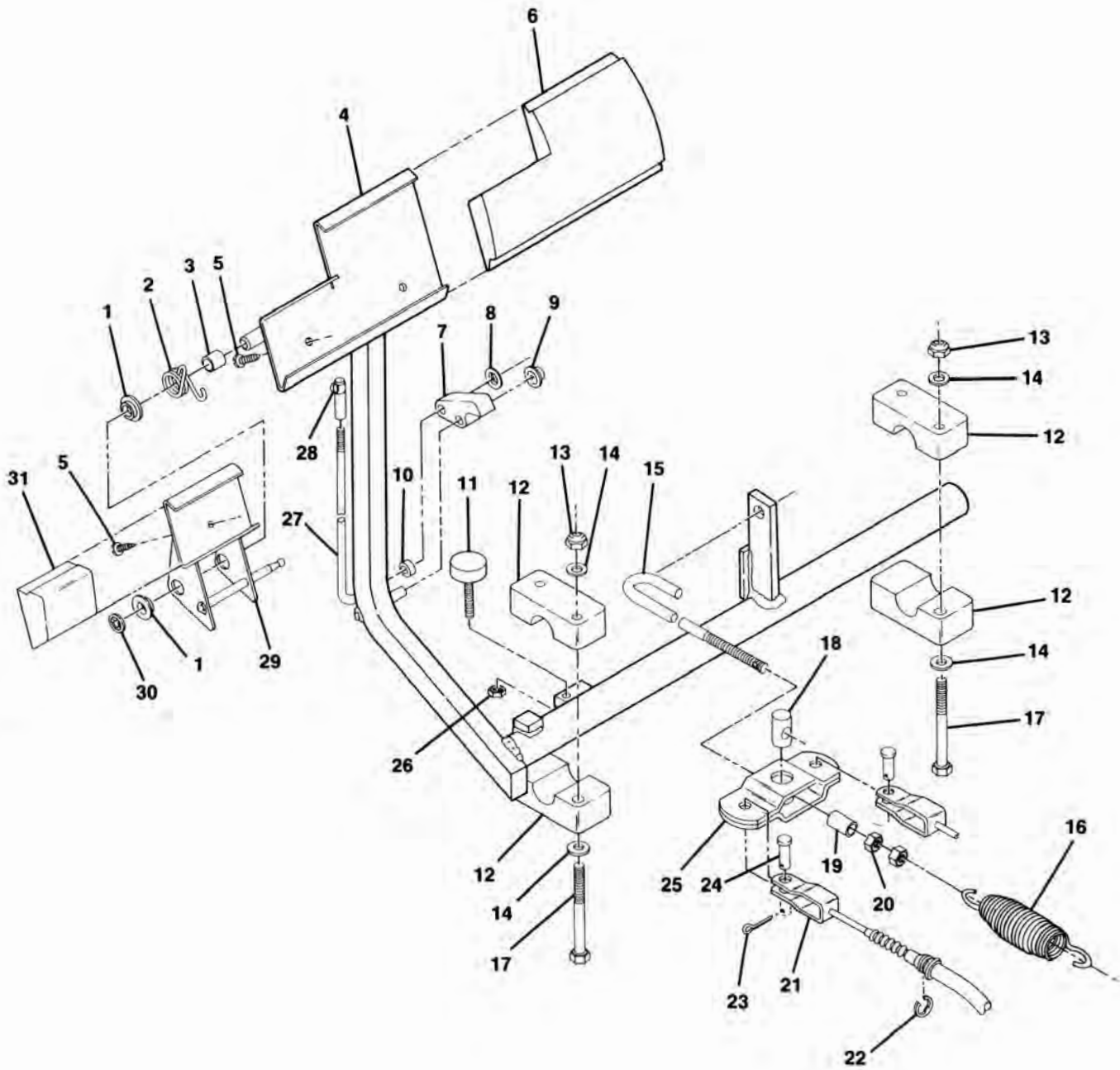
FIGURE- ITEM NUMBER	PART NUMBER	UNITS PER ASM	DESCRIPTION			
			1	2	3	4
1 -	1011145	1	RIGHT HAND BRAKE CLUSTER COMPLETE INCLUDES ITEMS 4 THRU 14			
	1011146	1	LEFT HAND BRAKE CLUSTER COMPLETE INCLUDES ITEMS 4 THRU 14 FOR ILLUSTRATION SEE FIGURE 4-1			
- 1	1013924	8	LOCKNUT, 5/16-24, GRADE 8			
- 2	1014153	8	BOLT, BRAKE CLUSTER MOUNTING			
- 3	1011137	2	DRUM, BRAKE			
- 4	1011494	1	PLATE BACKING, LEFT HAND			
- 4	1011154	1	PLATE BACKING, RIGHT HAND			
- 5	1011465	1	BRAKE ACTUATOR KIT			
- 6	1011467	1	ANCHOR BODY KIT INCLUDES ITEM 16			
- 7	1011463	1	BRAKE SHOE PACKAGE (4 PIECES)			
- 8	1011466	1	SHOE RETAINER KIT			
- 9	1011464	1	BRAKE SPRING PACKAGE			
- 10	1011297	2	ARM, BRAKE LEVER			
- 11	1010829	2	PIN, 5/16" CLEVIS			
- 12	1035	2	PIN, COTTER			
- 13	1010850	2	COVER, DUST			
- 14	1011303	2	CAP, ADJUSTMENT BOLT			
- 15	1013207	2	BRAKE CABLE HANGER			



0688A00000

Manual No. 1014650 - Issue Date 6/88

Effective Serial No. FG8827-147940



**FIGURE 4-2. BRAKE PEDAL AND CABLE ASSEMBLY. SEE LIST 4-2.**

### BRAKE PEDAL AND CABLE ASSEMBLY

FIGURE- ITEM NUMBER	PART NUMBER	UNITS PER ASM	DESCRIPTION			
			1	2	3	4
2 -	NO #	1	BRAKE PEDAL AND CABLE ASSEMBLY FOR ILLUSTRATION SEE FIGURE 4-2			
- 1	1032	2	NYLON BUSHING			
- 2	1010933	1	TORSION SPRING			
- 3	1010927	1	HILL BRAKE SPACER			
- 4	1011406	1	BRAKE PEDAL KIT INCLUDES ITEMS 5 & 6			
- 5	7716	3	SCREW, NO. 10-16 SHEET METAL			
- 6	1013869	1	BRAKE PEDAL PAD			
- 7	1011404	1	HILL BRAKE PAWL KIT INCLUDES ITEMS 8 AND 9			
- 8	1011649	1	PUSH NUT			
- 9	1010877	1	NUT, 5/16 PUSH			
- 10	1010805	1	HILL BRAKE ROD SLEEVE			
- 11	1010878	1	BRAKE STOP			
- 12	1011402	1	BRAKE MOUNTING BLOCK PACKAGE			
- 13	7473	4	NUT, 5/16-18 NYLON LOCK			
- 14	1241	8	WASHER, 5/16 FLAT			
- 15	1010808	1	EQUALIZER ROD			
- 16	1013532	1	SPRING, BRAKE RETURN TORSION			
- 17	1010921	4	BOLT, 5/16-18 HEX			
- 18	1010814	1	PIN, EQUALIZER PIVOT			
- 19	1013855	1	SPACER EQUALIZER			
- 20	1242	2	NUT, 5/16-18 HEX			
- 21	1011403	2	BRAKE CABLE KIT INCLUDES ITEMS 22, 23, 24			
- 22	1011779	4	RING, "E"			
- 23	1035	2	PIN, COTTER			
- 24	1010829	2	PIN, 5/16 CLEVIS			
- 25	1010809	1	EQUALIZER WELD ASSEMBLY			
- 26	1028	1	NUT, 1/4-20 HEX			
- 27	1010804	1	ROD, HILL BRAKE			
- 28	1010932	1	BALL JOINT, 1/4-28			
- 29	1011418	1	HILL BRAKE KIT INCLUDES ITEMS 1, 5, 29, 30, 31			
- 30	1013876	1	NUT, 3/8 PUSH			
- 31	1013870	1	PAD, HILL BRAKE			



0688A00000

Manual No. 1014650 - Issue Date 6/88

Effective Serial No. FG8827-147940

CARRYALL-I Gasoline

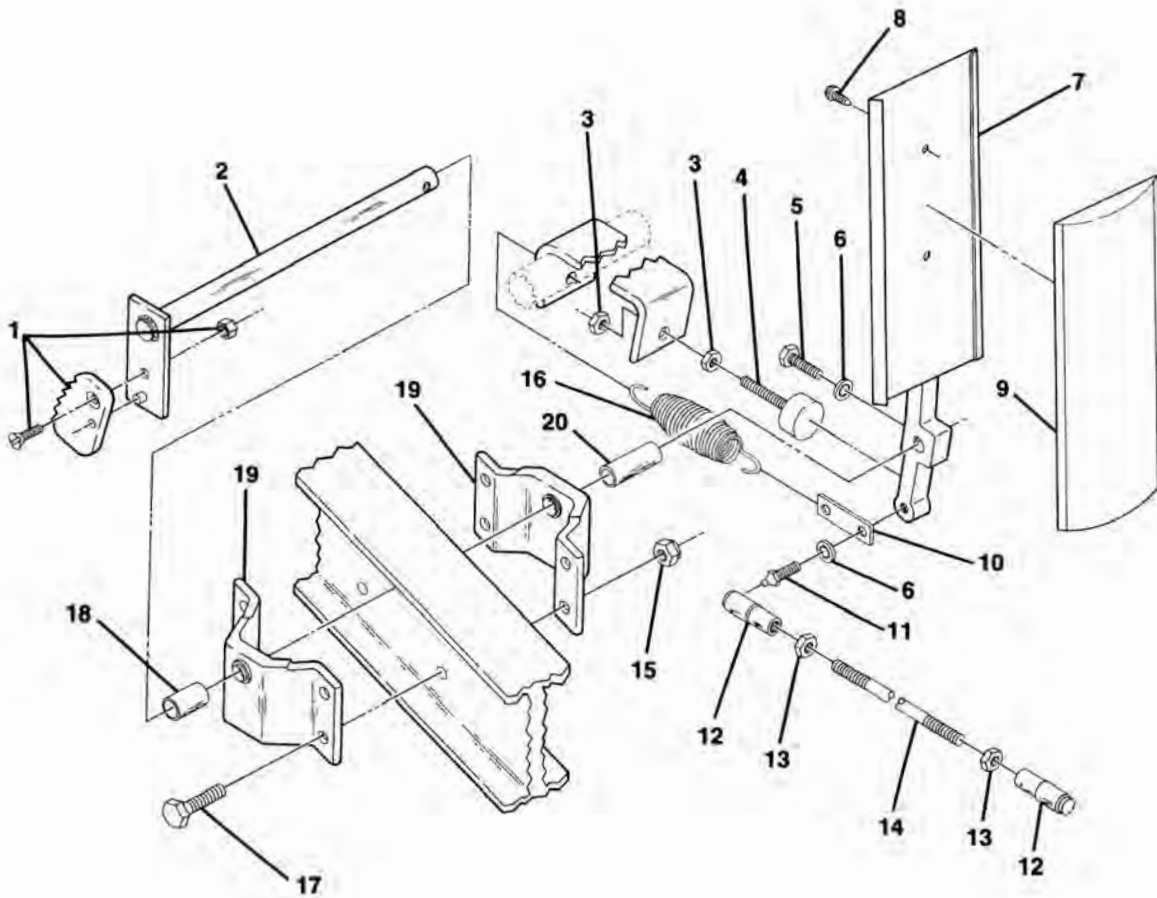


FIGURE 4-3. ACCELERATOR PEDAL ASSEMBLY. SEE LIST 4-3.

### ACCELERATOR PEDAL ASSEMBLY

FIGURE- ITEM NUMBER	PART NUMBER	UNITS PER ASM	DESCRIPTION			
			1	2	3	4
3 -	NO #	1	ACCELERATOR PEDAL ASSEMBLY FOR ILLUSTRATION SEE FIGURE 4-3			
- 1	1011877	1	LATCH, HILL BRAKE			
- 2	1010847	1	ROD, ACCELERATOR PIVOT			
- 3	1028	2	NUT, 1/4-20 HEX			
- 4	1010878	1	STOP, BRAKE			
- 5	403	1	BOLT, 1/4-20 HEX			
- 6	8304	1	WASHER, 1/4" INT TOOTH LOCK			
- 7	1010969	1	ACCELERATOR PEDAL, ASSEMBLY INCLUDES ITEMS 8, 9, 10, 11			
- 8	7716	2	SCREW, #10-16 SHEET METAL			
- 9	1013871	1	PAD, ACCELERATOR			
- 10	1011691	1	HANGER, ACCELERATOR PEDAL SPRING			
- 11	1010954	1	BALL STUD, 1/4-28			
- 12	1011734	2	BALL JOINT, 1/4-28 SPRING LOADED			
- 13	1011084	2	NUT, 1/4-28 JAM			
- 14	1012319	1	ROD, ACCELERATOR			
- 15	8233	4	LOCKNUT, 1/4-20 NYLON			
- 16	1012075	1	SPRING, EXTENSION			
- 17	7479	4	BOLT, 1/4-20 HEX			
- 18	1011699	1	SPACER, 1/2			
- 19	1011694	2	BRACKET, ACCELERATOR BEARING			
- 20	1011700	1	SPACER, ACCELERATOR			



**CARRYALL-I Gasoline**

0688A00000

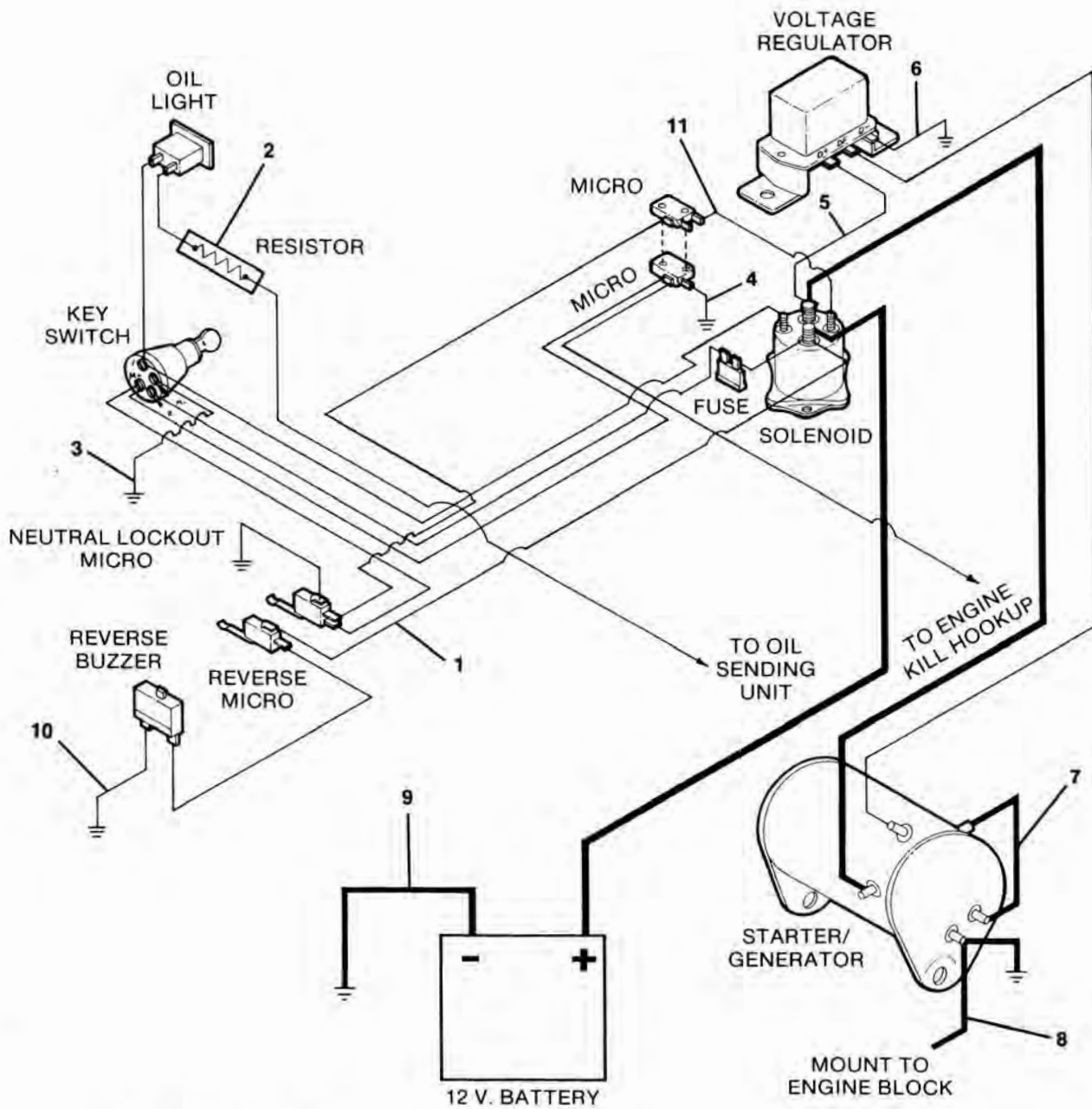
Manual No. 1014650 - Issue Date 6/88

Effective Serial No. FG8827-147940 \_\_\_\_\_



**Section V**

**ELECTRICAL SYSTEM**



**NOTE: ALL WIRES NOT LISTED ARE INCLUDED  
IN WIRE HARNESS P/N 1014118**

**FIGURE 5-1. FINAL ASSEMBLY, WIRING DIAGRAM. SEE LIST 5-1.**



### FINAL ASSEMBLY, WIRING DIAGRAM

FIGURE- ITEM NUMBER	PART NUMBER	UNITS PER ASM	1 2 3 4	DESCRIPTION
1 -	NO #	1		FINAL ASSEMBLY WIRING DIAGRAM FOR ILLUSTRATION SEE FIGURE 5-1
- 1	1014118	1		WIRE HARNESS
- 2	1013659	1		RESISTOR ASSEMBLY
- 3	1012396	1		WIRE ASSEMBLY, #18 BLACK
- 4	1012397	1		WIRE ASSEMBLY, #18 BLACK
- 5	1012386	1		WIRE ASSEMBLY, #10 RED
- 6	1012388	1		WIRE ASSEMBLY, #10 BLACK
- 7	1012384	1		WIRE ASSEMBLY, #6 BLACK
- 8	1012385	1		WIRE ASSEMBLY, #6 BLACK
- 9	1012382	1		WIRE ASSEMBLY, #6 BLACK
- 10	1012395	1		WIRE ASSEMBLY, #18 BLACK
- 11	1013600	1		WIRE ASSEMBLY, #18 ORANGE



**CARRYALL-I Gasoline**

0688A00000

Manual No. 1014650 - Issue Date 6/88

Effective Serial No. FG8827-147940

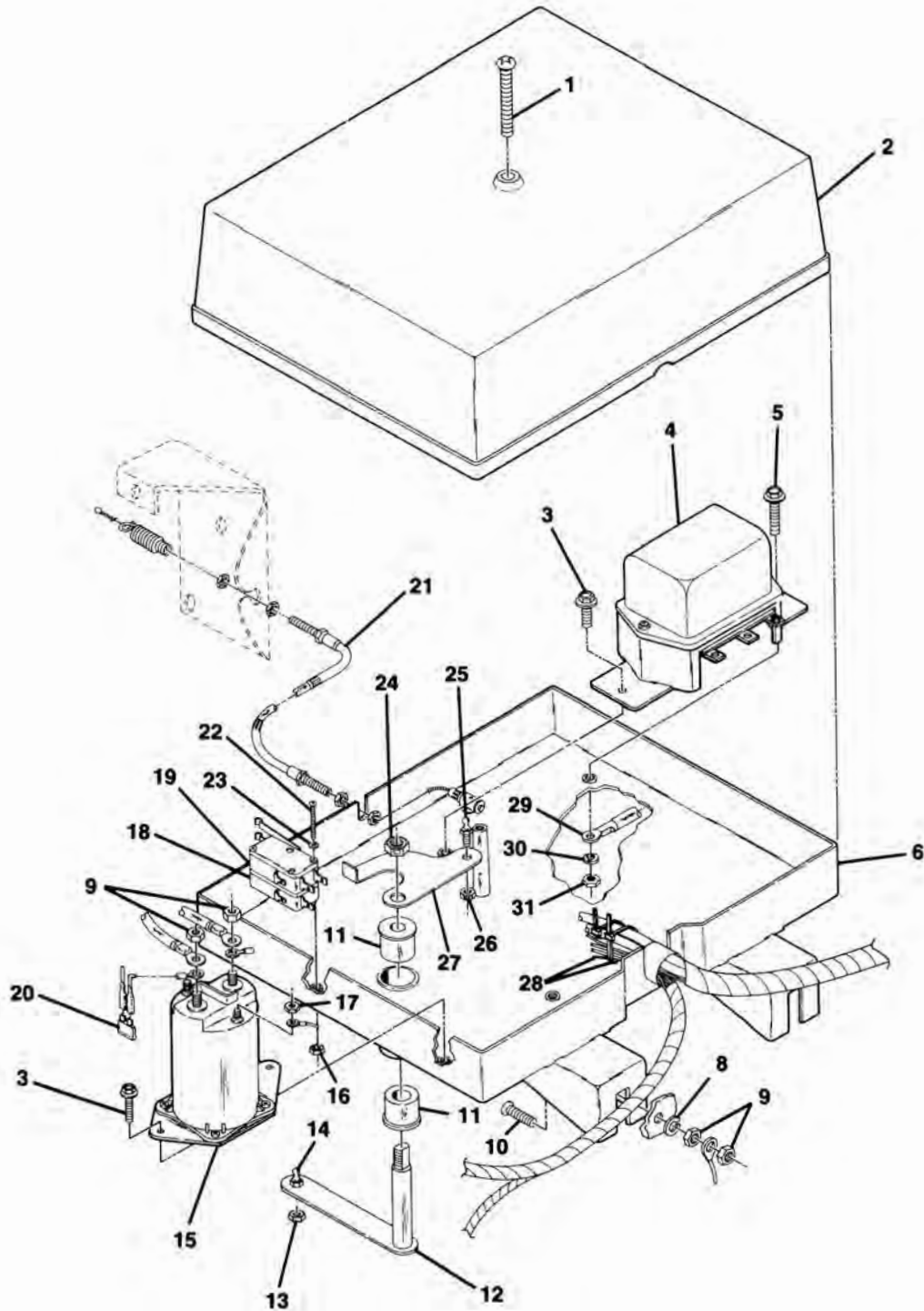


FIGURE 5-2. ELECTRICAL COMPONENT BOX ASSEMBLY. SEE LIST 5-2.

**ELECTRICAL COMPONENT BOX ASSEMBLY**

FIGURE- ITEM NUMBER	PART NUMBER	UNITS PER ASM	DESCRIPTION			
			1	2	3	4
2 -	NO #	1	ELECTRICAL COMPONENT BOX WITH WIRE HARNESS INCLUDES ALL ITEMS EXCEPT 8, 9, 10 AND 21 FOR ILLUSTRATION SEE FIGURE 5-2			
- 1	1013176	1	SCREW PHILLIPS TRUSS HEAD, 1/4-20 X 2-1/2			
- 2	1012274	1	ELECTRICAL COMPONENT TRAY COVER			
- 3	1012285	3	1/4-20 UNC X 5/8 THREAD ROLLING SCREW			
- 4	1012422	1	VOLTAGE REGULATOR			
- 5	1013662	1	1/4-20 X 1-1/4 THREAD FORM SCREW			
- 6	1013073	1	ELECTRICAL COMPONENT BOX INCLUDES ITEM 11			
- 8	7174	2	LOCKWASHER, 5/16			
- 9	1242	6	HEX NUT, 5/16-18			
- 10	1010435	2	CARRIAGE BOLT, 5/16-18 X 1.00			
- 11	7719	2	BRONZE BUSHING, 1/2 ID X 5/8 OD X 3/4 LONG			
- 12	1012269	1	ELECTRICAL BOX BELL CRANK SHAFT			
- 13	8717	1	INSERT LOCKNUT, 1/4-28 UNF NYLON			
- 14	1010954	1	BALL STUD, 1/4-28 UNF			
- 15	1013609	1	12 VOLT SOLENOID			
- 16	8057	2	HEX NUT, #4-40			
- 17	7893	2	HEX NUT, #10-32			
- 18	8991	1	LIMIT SWITCH			
- 19	4240	1	LIMIT SWITCH			
- 20	1012295	1	10 AMP FUSE			
- 21	1013158	1	ACCELERATOR CABLE			
- 22	1012594	2	MACHINE SCREW, #4-40 X 1-1/2			
- 23	8058	2	LOCKWASHER, #4			
- 24	1010138	1	DIMPLED LOCKNUT, 3/8-16 UNC			
- 25	1012353	1	BALL STUD, 1/4-28 UNF			
- 26	8449	1	DIMPLED LOCKNUT, 1/4-28			
- 27	1012272	1	ELECTRICAL BOX UPPER BELLCRANK			
- 28	8990	2	TIE WRAP			
- 29	1013663	1	GROUND WIRE ASSEMBLY			
- 30	451	1	1/4 LOCKWASHER			
- 31	1028	1	1/4-20 HEX NUT			

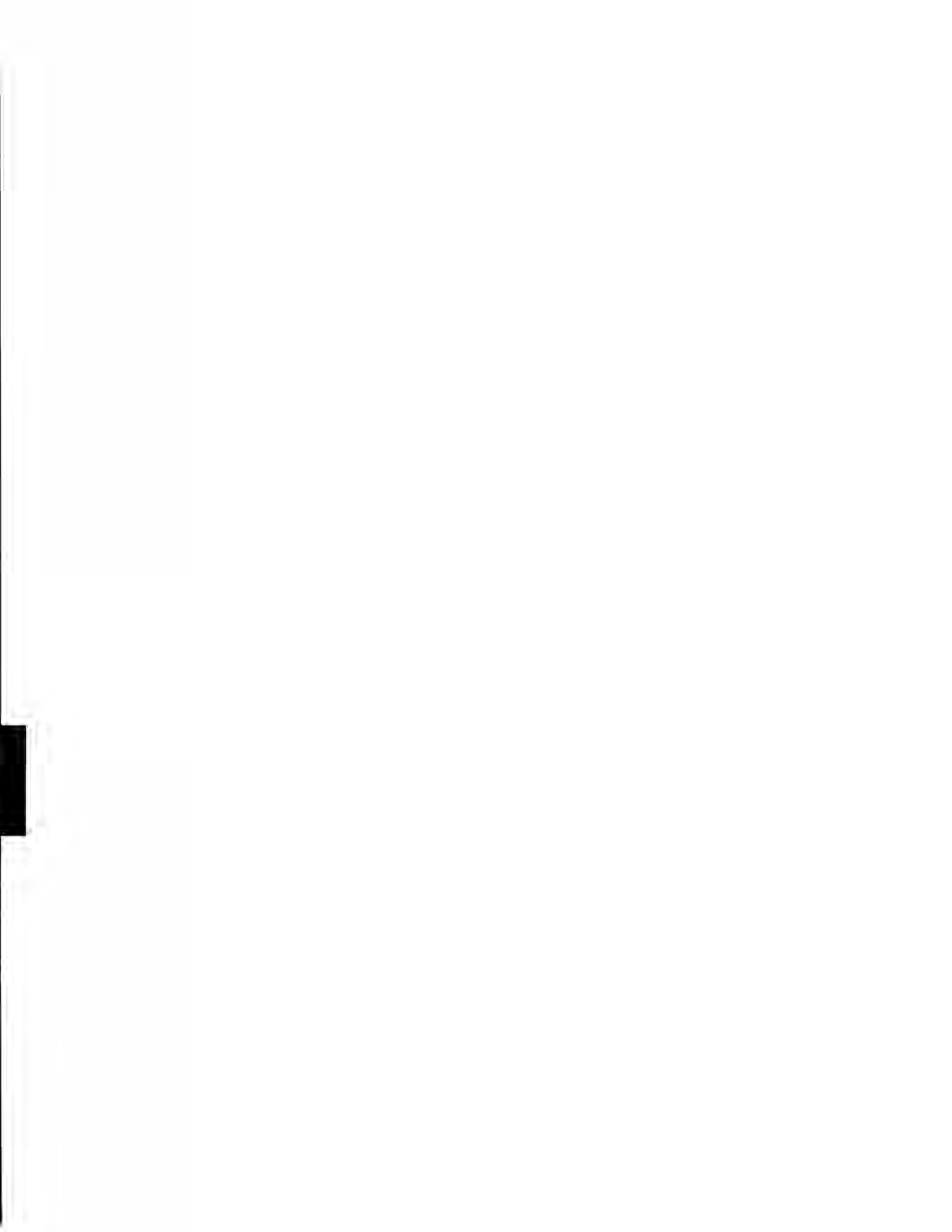


**CARRYALL-I Gasoline**

0688A00000

Manual No. 1014650 - Issue Date 6/88

Effective Serial No. FG8827-147940



# Section VI

# ACCESSORIES

## ACCESSORIES INDEX

### ACCESSORIES ILLUSTRATED

DESCRIPTION	PAGE NO.
Figure 6-1. Wheel Cover .....	6-2
Figure 6-2. AM/FM Stereo Radio .....	6-3
Figure 6-3. Sports Canopy — Carryall-I .....	6-4
Figure 6-4. Sports Canopy Windshield .....	6-6
Figure 6-5. Lighting Package .....	6-8
Figure 6-6. Fuel Gauge .....	6-10
Figure 6-7. Trailer Hitch .....	6-12

### ACCESSORIES NOT ILLUSTRATED

DESCRIPTION	PART NO.
Heavy Duty Bumper .....	1014644
Number Decal - Rectangular .....	1012173
Heavy Duty Rear View Mirror Kit .....	1013846
Ashtray Kit .....	1011230
Gray Spray Paint .....	1013805
Rear View Mirror Kit .....	1011524
Hubodometer and Mounting Bracket .....	1010282
Hourmeter Kit, 12 Volt .....	1013578

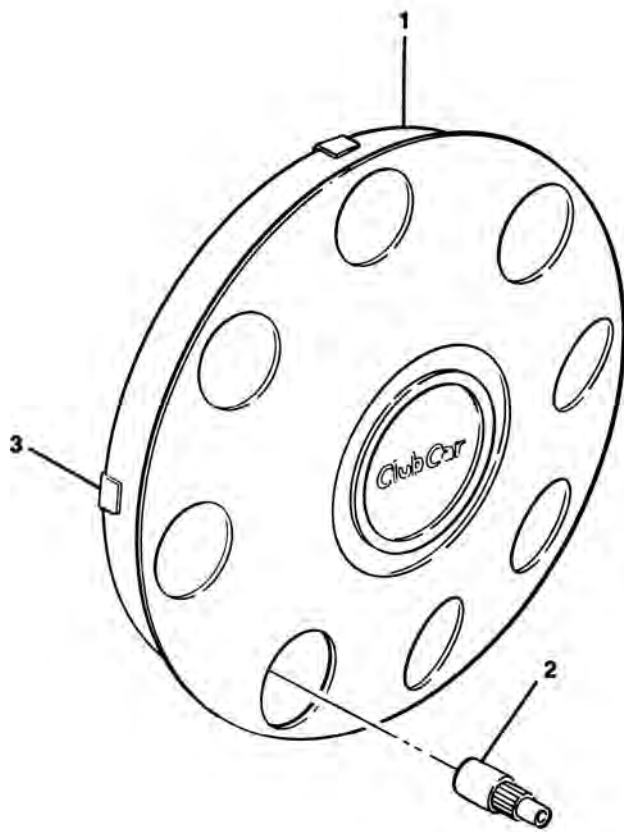


FIGURE 6-1. WHEEL COVER (FLAT). SEE LIST 6-1.

FIGURE- ITEM NUMBER	PART NUMBER	UNITS PER ASM	1 2 3 4				DESCRIPTION
1 -	1012642	4					FLAT WHEEL COVER KIT INCLUDES ITEMS 1 AND 2
- 1	NO #	1					FLAT WHEEL COVER
- 2	1012641	1					AIR VALVE EXTENSION
- 3	1014452	A/R					HUBCAP CLIP

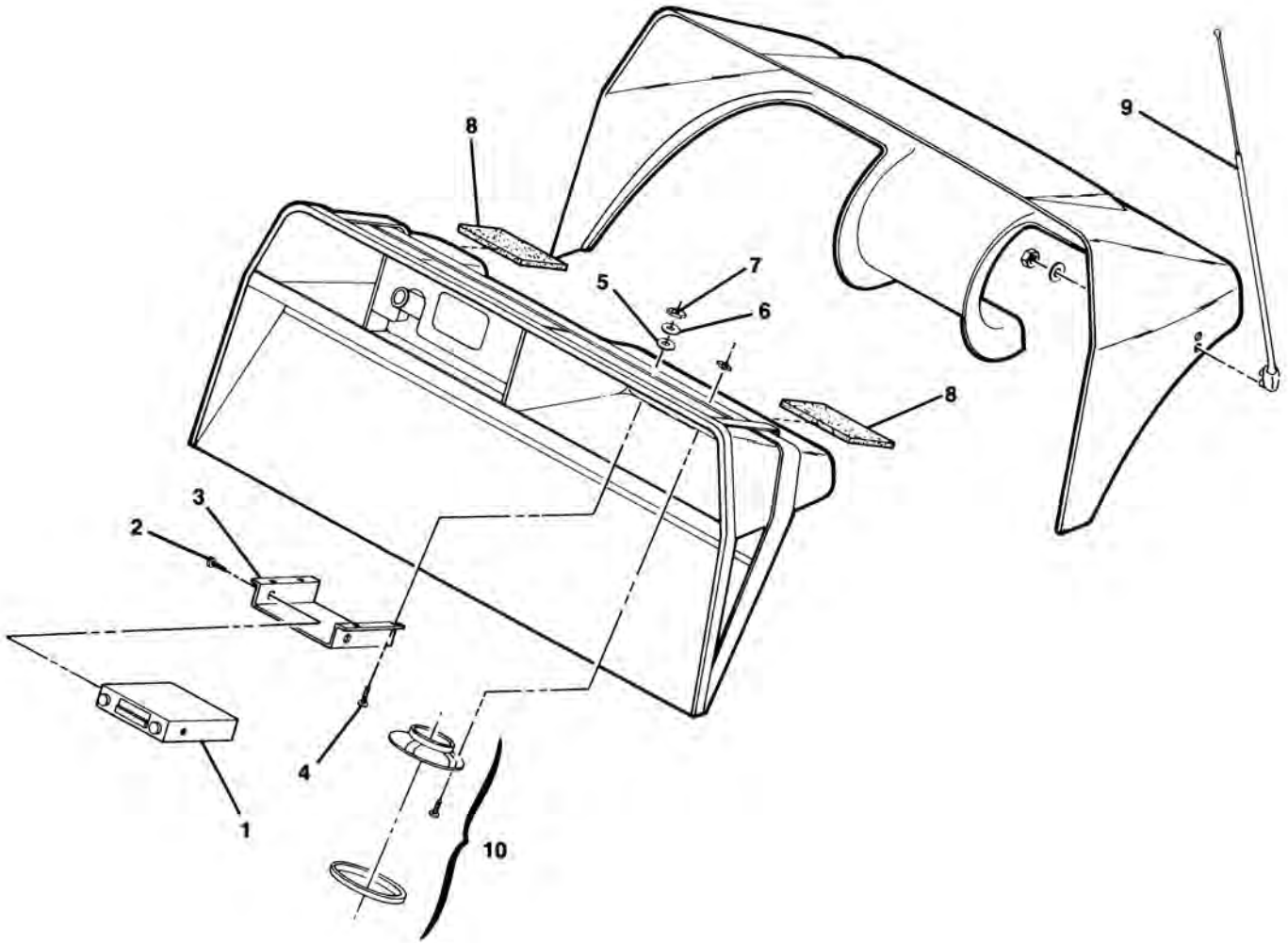


FIGURE 6-2. AM/FM STEREO RADIO. SEE LIST 6-2.

FIGURE-ITEM NUMBER	PART NUMBER	UNITS PER ASM	DESCRIPTION			
			1	2	3	4
2 -	1011658		AM/FM STEREO RADIO KIT INCLUDES ITEMS 1 THRU 10			
- 1	NO #	1	AM/FM STEREO RADIO			
- 2	1011687	2	SCREW, HEX HEAD #10-32 x 1/4"			
- 3	1011663	1	RADIO BRACKET			
- 4	8104	4	SCREW, ROUND HEAD, #10-32 x 3/4"			
- 5	183	4	FLATWASHER, #10			
- 6	8049	4	LOCKWASHER, INTERNAL TOOTH, #10			
- 7	7893	4	NUT, HEX, #10-32			
- 8	1011696	2	SPEAKER INSULATION			
- 9	1011678	1	ANTENNA			
- 10	1014534	1	SPEAKERS (PAIR)			

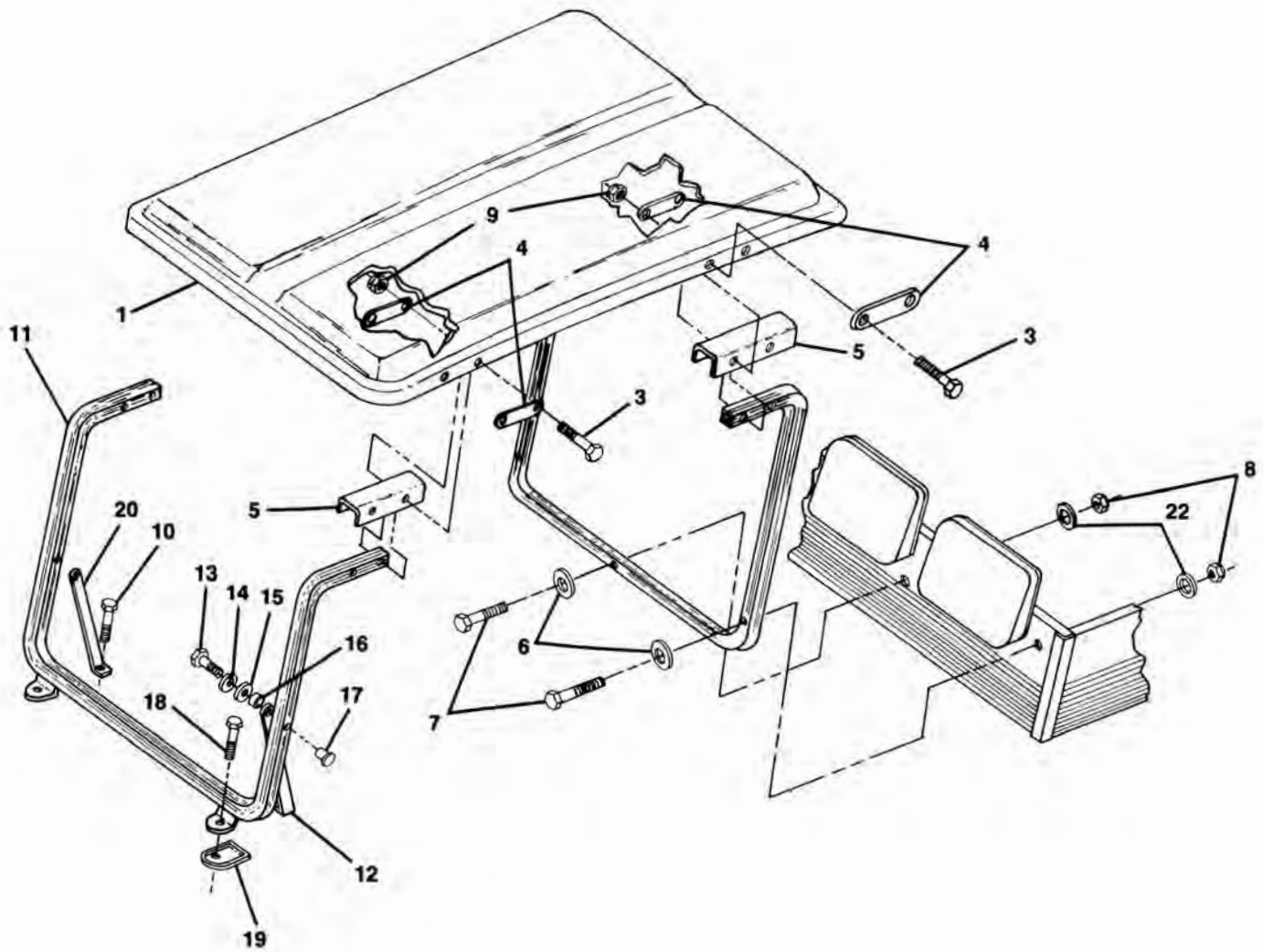


FIGURE 6-3. SPORTS CANOPY — CARRYALL-I. SEE LIST 6-3.



**SPORTS CANOPY — CARRYALL-I**

FIGURE- ITEM NUMBER	PART NUMBER	UNITS PER ASM	DESCRIPTION			
			1	2	3	4
3 -	1014506		SPORTS CANOPY KIT — CARRYALL-I FOR ILLUSTRATION, SEE FIGURE 6-3			
- 1	1014509	1	CANOPY ASSEMBLY			
- 2	1011942	2	MODIFIED GROMMET			
- 3	7311	8	BOLT, HEX HEAD, 1/4-20 x 2"			
- 4	1011852	8	CANOPY TRIM PLATE			
- 5	1012008	4	SIDE CANOPY SUPPORT			
- 6	1241	6	FLATWASHER, 5/16"			
- 7	8963	3	BOLT, HEX HEAD, 5/16-18 x 1-3/4"			
- 8	7473	3	LOCKNUT, NYLON, 5/16-18			
- 9	8233	8	LOCKNUT, NYLON, 1/4-20			
- 10	1218	2	BOLT, HEX HEAD, 5/16-18 X 1-1/4"			
- 11	1011868	1	WINDSHIELD FRAME ASSEMBLY			
- 12	1011865	1	KNEE BRACE — LEFT			
- 13	1703	2	BOLT, HEX HEAD, 1/4-20 x 1-1/2"			
- 14	1011964	2	LOCKWASHER, 1/4, STAINLESS STEEL			
- 15	1011965	2	FLATWASHER, 1/4, STAINLESS STEEL			
- 16	1010237	2	BUSHING			
- 17	1011878	2	CAPPED TEENUT			
- 18	1011937	2	BOLT, HEX HEAD, W/NYLON PATCH, 5/16-18 x 1-1/4"			
- 19	1011883	2	WINDSHIELD FRAME MOUNTING PAD			
- 20	1011862	1	KNEE BRACE — RIGHT			



0688A00000



Manual No. 1014650 - Issue Date 6/88

Effective Serial No. FG8827-147940

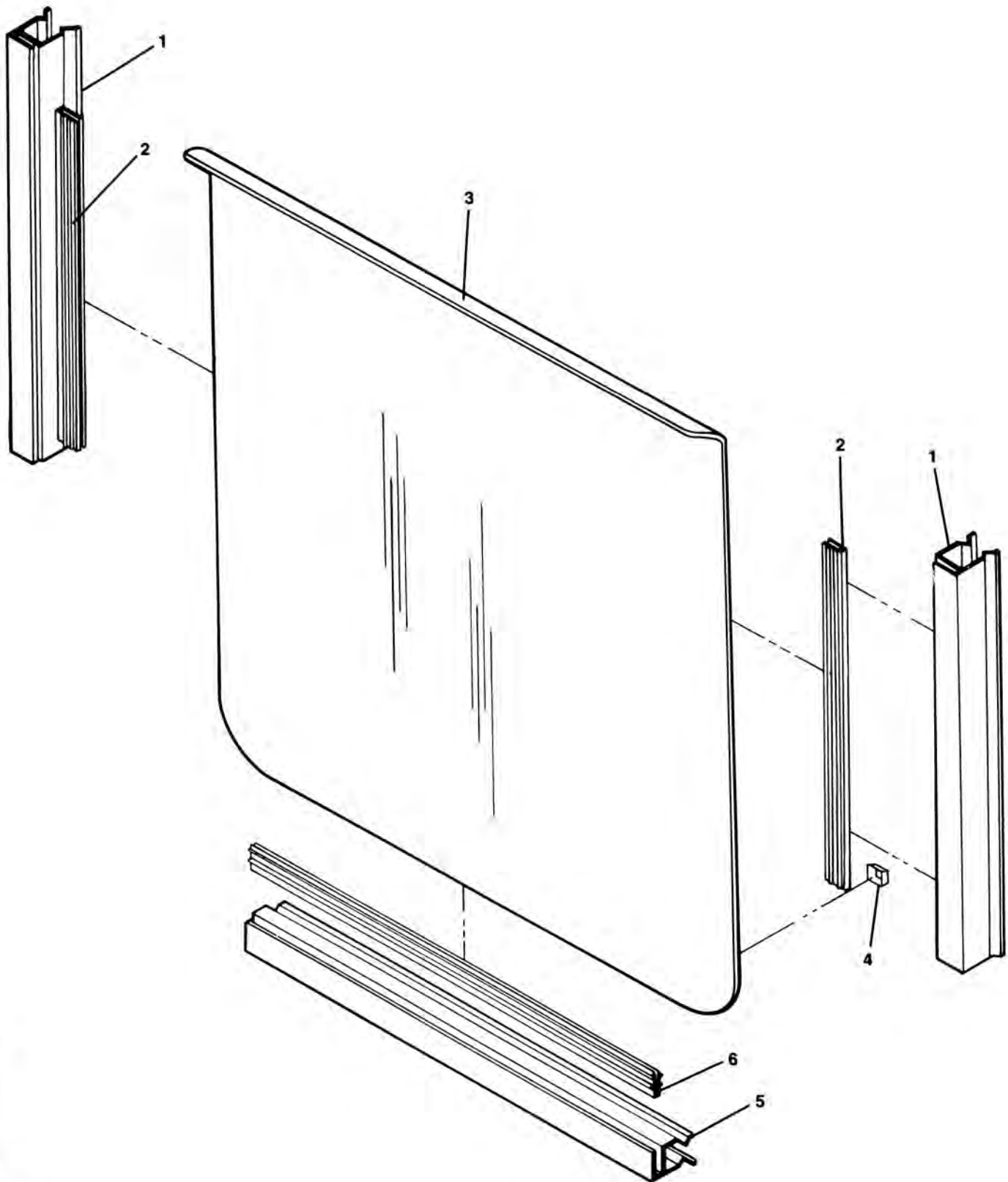


FIGURE 6-4. SPORTS CANOPY WINDSHIELD. SEE LIST 6-4.

**SPORTS CANOPY WINDSHIELD**

FIGURE- ITEM NUMBER	PART NUMBER	UNITS PER ASM	DESCRIPTION			
			1	2	3	4
4 -	1014435		SPORTS CANOPY WINDSHIELD KIT INCLUDES ITEMS 1 THRU 6 FOR ILLUSTRATION, SEE FIGURE 6-4			
- 1	1014441	2	WINDSHIELD CHANNEL (SIDES)			
- 2	NO #	2	VINYL SEALANT 22" (SEE ITEM 7)			
- 3	NO #	1	WINDSHIELD			
- 4	1011897	2	BUMPER			
- 5	1014437	1	WINDSHIELD CHANNEL (BOTTOM)			
- 6	NO #	1	VINYL SEALANT 30" (SEE ITEM 7)			
- 7	1014436	A/R	VINYL SEALANT EXTRUSION (ORDER BY FEET ONLY)			



0688A00000

Manual No. 1014650 - Issue Date 6/88

Effective Serial No. FG8827-147940 \_\_\_\_\_

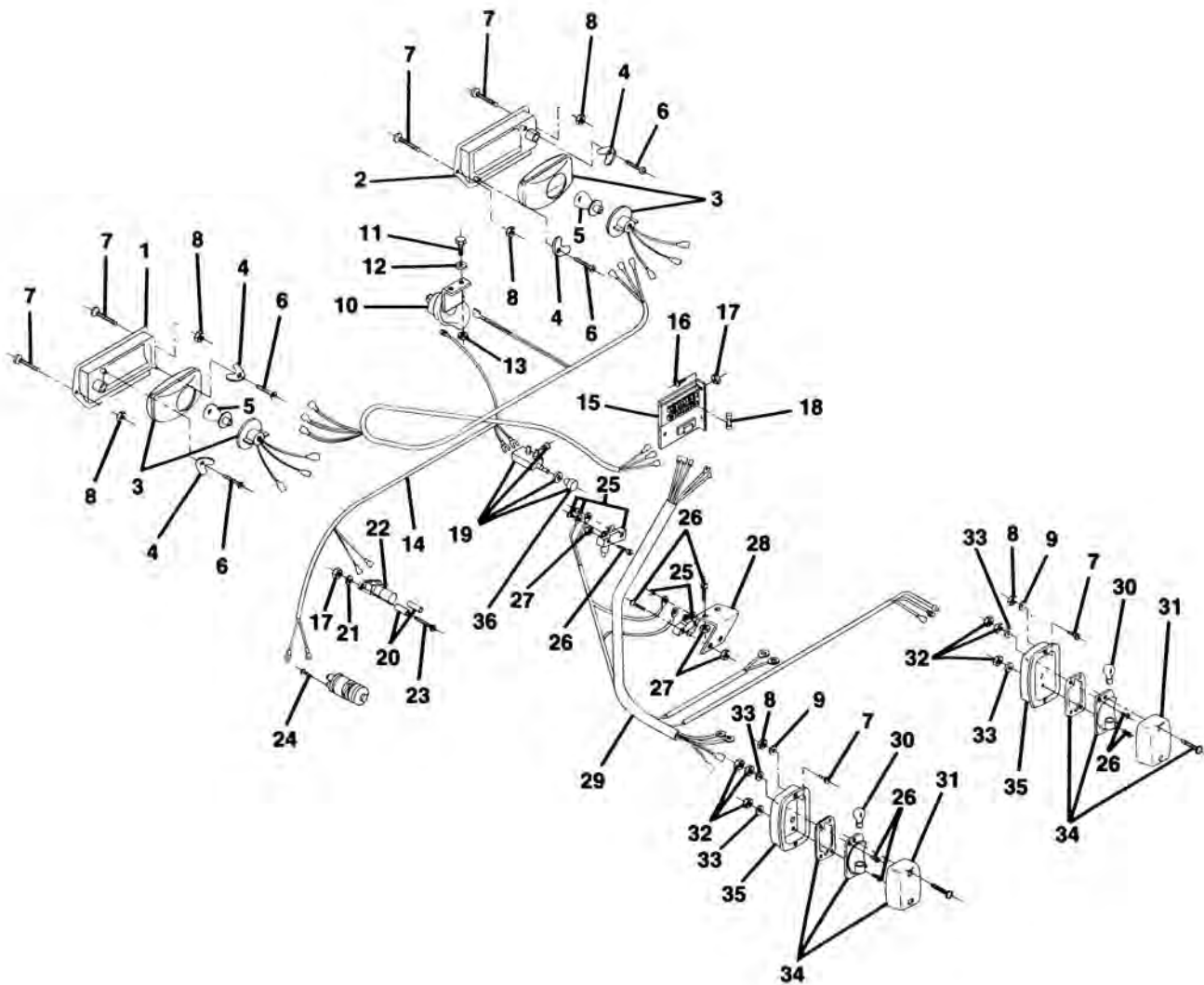


FIGURE 6-5. LIGHTING PACKAGE. SEE LIST 6-5.

## LIGHTING PACKAGE

FIGURE- ITEM NUMBER	PART NUMBER	UNITS PER ASM	DESCRIPTION			
			1	2	3	4
5 -	1013804	1	LIGHTING PACKAGE — COMPLETE FOR ILLUSTRATION, SEE FIGURE 6-5			
- 1	1014176	1	BEZEL & REFLECTOR ASSEMBLY — LEFT			
- 2	1014177	1	BEZEL & REFLECTOR ASSEMBLY — RIGHT			
- 3	1014167	2	HEADLAMP INCLUDES ITEM 5			
- 4	1014156	4	BRACKET — LAMP MOUNTING			
- 5	1014180	2	BULB — HEADLAMP			
- 6	1010715	4	SCREW — #10-14 TRI-LOB TRUSS HEAD			
- 7	1011498	8	SCREW — #8-32 OVAL COUNTERSUNK HEAD MACHINE			
- 8	1011571	8	NUT — #8-32 HEX			
- 9	1011610	4	FLATWASHER — #8			
- 10	4029	1	HORN AND BRACKET ASSEMBLY			
- 11	304	2	BOLT, HEX HEAD, 1/4-20 UNC x 1"			
- 12	332	2	FLATWASHER, 1/4"			
- 13	8233	2	LOCKNUT, 1/4-20 NYLON			
- 14	1013795	1	WIRE HARNESS HEADLIGHT			
- 15	1011502	1	TERMINAL BLOCK AND FUSE PANEL ASSEMBLY			
- 16	8104	2	SCREW, ROUND HEAD, #10-32 x 3/4"			
- 17	7893	4	NUT, HEX, #10-32			
- 18	8106	3	FUSE, 20 AMP			
- 19	4034	1	LIGHT SWITCH ASSEMBLY INCLUDES ITEM 36			
- 20	1010910	2	STAND OFF DIMMER SWITCH			
- 21	8049	2	LOCKWASHER, #10 INTERNAL TOOTH			
- 22	1010889	1	DIMMER SWITCH			
- 23	1010909	2	SCREW, ROUND HEAD, #10-32 x 1-1/4"			
- 24	1013443	1	HORN BUTTON — FLOOR MOUNTED			
- 25	1011439	2	OVERTRAVEL PLUNGER SWITCH			
- 26	1011557	10	SCREW, SLOTTED PAN HEAD, #6-32 x 1"			
- 27	1011229	6	LOCKNUT, "K", #6-32 UNC			
- 28	1011742	1	BRAKE LIGHT SWITCH BRACKET			
- 29	1013752	1	WIRE HARNESS TAILLIGHT			
- 30	1011582	2	TAILLIGHT BULB			
- 31	1011843	2	TAILLIGHT LENS			
- 32	1011558	6	NUT, HEX HEAD, #6-32 UNC			
- 33	7591	4	FLATWASHER, #6			
- 34	1011586	2	TAILLIGHT INCLUDES ITEMS 30 AND 31			
- 35	1011497	2	TAILLIGHT BEZEL			
- 36	1013857	1	KNOB — LIGHT SWITCH			



CARRYALL-I Gasoline

0688A00000

Manual No. 1014650 - Issue Date 6/88

Effective Serial No. FG8827-147940

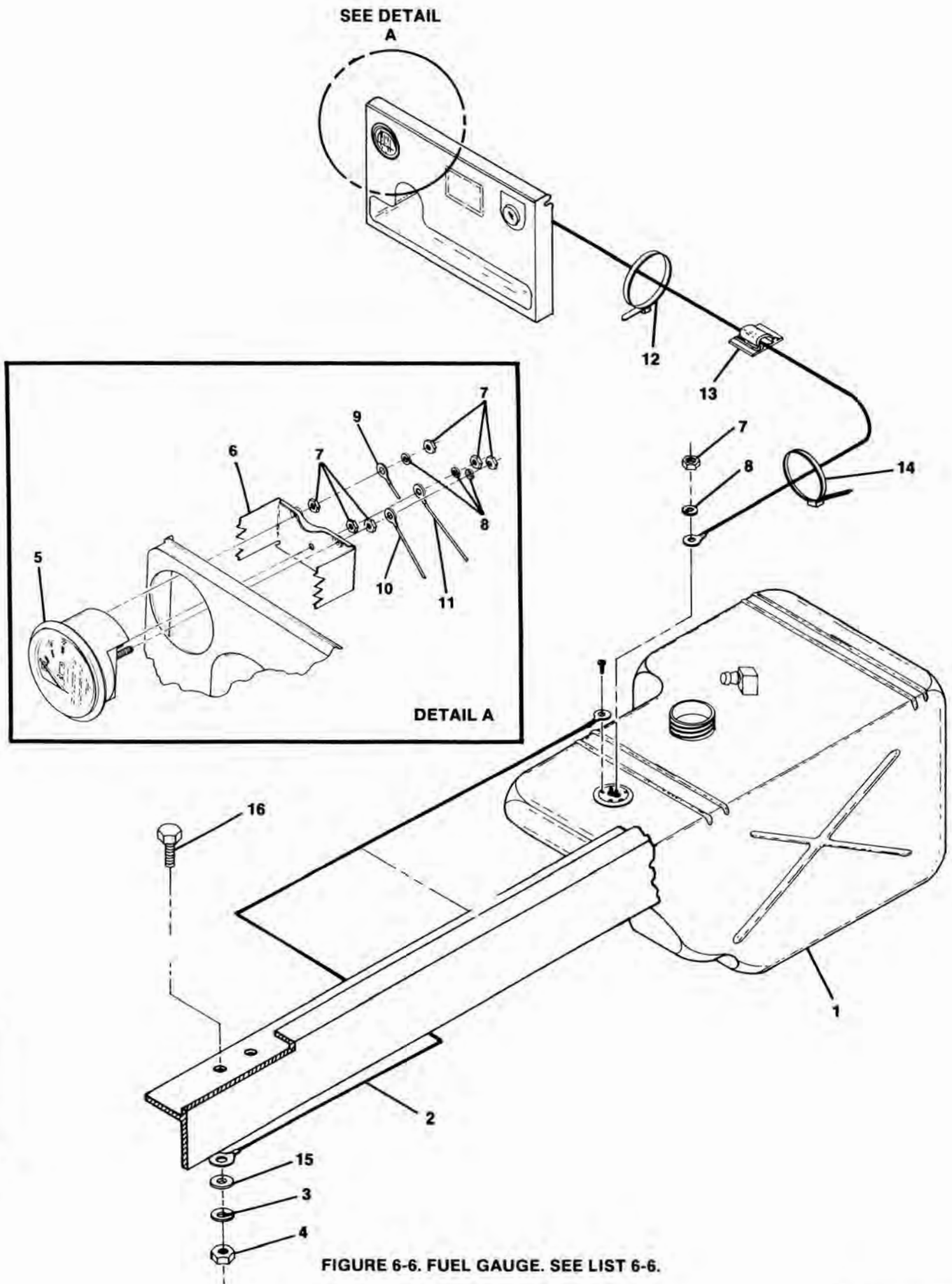


FIGURE 6-6. FUEL GAUGE. SEE LIST 6-6.

## FUEL GAUGE

FIGURE- ITEM NUMBER	PART NUMBER	UNITS PER ASM	DESCRIPTION			
			1	2	3	4
6 -	NO #	1	FUEL GAUGE INSTALLATION (FACTORY INSTALLATION ONLY) FOR ILLUSTRATION, SEE FIGURE 6-6			
- 1	1013984	1	FUEL TANK W/SENDING UNIT INCLUDES ITEM 2			
- 2	1013471	1	#18 BLACK WIRE ASSEMBLY			
- 3	451	1	LOCKWASHER, 1/4-20			
- 4	1028	1	HEX NUT, 1/4-20			
- 5	1013466	1	FUEL GAUGE			
- 6	1013592	1	BACK CLAMP — PLASTIC GAUGE			
- 7	8797	7	#10-32 HEX NUT (BRASS)			
- 8	1016	4	#10 LOCKWASHER			
- 9	1013463	1	#18 BLUE WIRE ASSEMBLY			
- 10	1013642	1	#18 ORANGE WIRE ASSEMBLY			
- 11	1013469	1	#18 BLACK WIRE ASSEMBLY			
- 12	8990	2	TIE-WRAP			
- 13	1011636	3	CORD CLIP			
- 14	8168	2	TIE-WRAP			
- 15	332	1	FLATWASHER, 1/4"			
- 16	7847	1	HEX BOLT, 1/4-20 X 3/4"			



CARRYALL-I Gasoline

0688A00000

Manual No. 1014650 - Issue Date 6/88

Effective Serial No. FG8827-147940

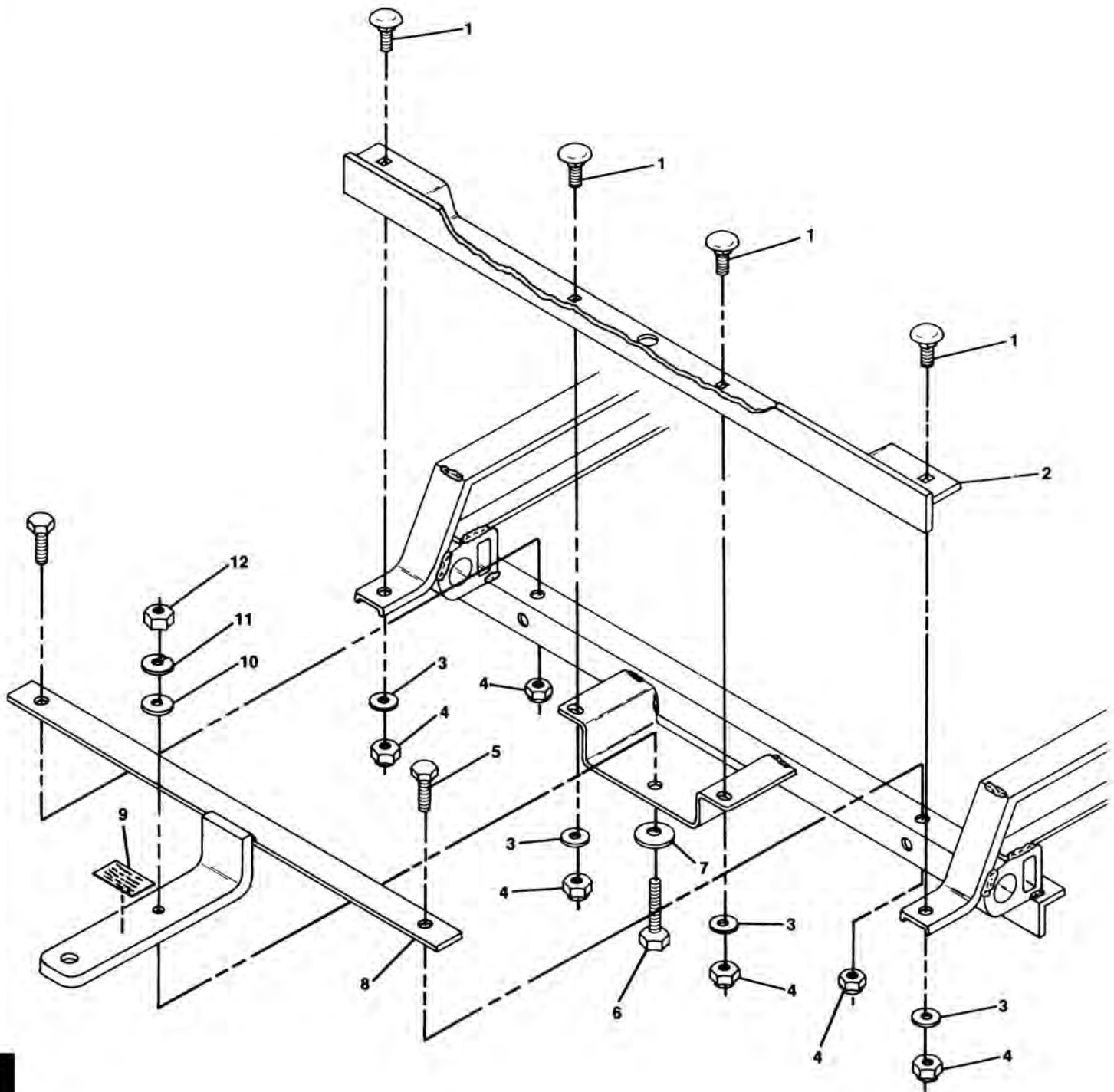


FIGURE 6-7. TRAILER HITCH. SEE LIST 6-7.



## TRAILER HITCH

FIGURE- ITEM NUMBER	PART NUMBER	UNITS PER ASM	DESCRIPTION			
			1	2	3	4
7 -	1014491	1	TRAILER HITCH KIT INCLUDES ITEMS 1 THRU 12 FOR ILLUSTRATION, SEE FIGURE 6-7			
- 1	1010435	4	CARRIAGE BOLT, 5/16-18 X 1"			
- 2	1014543	1	TRAILER HITCH BRACE WELDMENT			
- 3	1241	4	FLATWASHER, 5/16			
- 4	7473	6	LOCKNUT, 5/16-18			
- 5	1218	2	HEX BOLT, 5/16-18 X 1-1/4"			
- 6	1624	1	HEX BOLT, 3/8-16 X 1-1/2"			
- 7	808	1	GROMMET WASHER, 3/8"			
- 8	1014488	1	TRAILER HITCH WELD ASSEMBLY			
- 9	1011553	1	TRAILER HITCH DECAL			
- 10	1011990	1	FLATWASHER, 3/8"			
- 11	357	1	LOCKWASHER, 3/8"			
- 12	706	1	HEX NUT, 3/8-16			



0688A00000

Manual No. 1014650 - Issue Date 6/88

Effective Serial No. FG8827-147940

# Section VII

## MAINTENANCE SERVICE TOOLS

DESCRIPTION	PART NO.
Internal Retaining Pliers .....	1013593
Brake Adjusting Tool .....	1013582
Fiberglass Repair Kit .....	1012093
Volt Ohm Meter .....	1011480
Continuity Tester .....	1011273
Retaining Ring Pliers (45° External) .....	1012549
Retaining Ring Pliers (90° Internal) .....	1012560
Keyswitch Tool .....	1012801
Seal Puller .....	1012809
Bearing Puller .....	1012811
Bearing Puller Wedge Attachment .....	1012812
Tachometer .....	1012800
Flywheel Puller .....	1012802
Drive Clutch Puller .....	1014496
Clutch Alignment Tool .....	1014498
Torque Converter Tool Kit .....	1014510
Transmission Tool Kit .....	1014115
Drive Unit Pinion Seal Tool .....	1014161
Drive Unit Axle Seal Tool .....	1014162
Throttle Pivot Bushing Tool .....	1014163
Steering Column Bearing Press Tool .....	1014261
Steering Column Retaining Ring Tool .....	1014259
Battery Terminal Protector .....	1014305
Dry Graphite Lubricant .....	1012151

Please refer to the appropriate Maintenance and Service Manual for proper tool application.





**Club Car, Inc.**  
P.O. Box 204658  
Augusta, GA 30917-4658  
USA

**Web** [www.clubcar.com](http://www.clubcar.com)  
**Phone** 1.706.863.3000  
1.800.ClubCar  
**Int'l** +1 706.863.3000  
**Fax** 1.706.863.5808